



Refrigerator
BOTTOM MOUNTED FREEZER SERIES

USER MANUAL

MDRB424FGE

Warning notices: Before using this product, please read this manual carefully and keep it for future reference. The design and specifications are subject to change without prior notice for product improvement. Consult with your dealer or manufacturer for details.
The diagram above is just for reference. Please take the appearance of the actual product as the standard.

LANGUAGES

EN	English
DE	Deutsch
IT	Italian
FR	French
ES	Spanish
PT	Portuguese
GR	Greek
PL	Polish
LV	Latvian
SR	Serbian
HR	Republika Hrvatska
HU	Hungary
SL	Slovenia
RO	Romania
BG	Bulgaria
LT	Lithuania
AL	Albanian
CZ	Czech
SK	Slovak

THANK YOU LETTER

Thank you for choosing Midea! Before using your new Midea product, please read this manual thoroughly to ensure that you know how to operate the features and functions that your new appliance offers in a safe way.

CONTENTS

EN

THANK YOU LETTER	01
SPECIFICATIONS	02
PRODUCT OVERVIEW	03
PRODUCT INSTALLATION	04
OPERATION INSTRUCTIONS	11
CLEANING AND MAINTENANCE	15
TROUBLESHOOTING	17
APPENDIX	19

SPECIFICATIONS

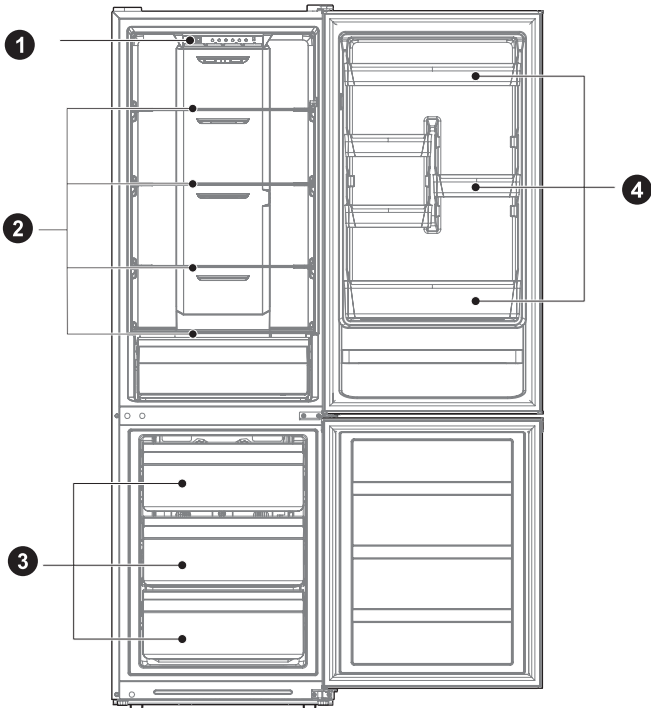
Product model	MDRB424FGE
Fresh Food Storage Compartment Volume	224L
Frozen Food Storage Volume	86L
Defrosting Type	Auto-defrost
Temperature Rise Time	8h
Freezing Capacity	3.9kg/24h
Rated Voltage/Frequency	220-240V~/50Hz
Rated Current	0.8A
Overall Dimension (H x W x D)	1880x595x630mm

EN

PRODUCT OVERVIEW

EN

Names of components



1 LED lighting

2 Shelf

3 Drawer

4 Door tray

ATTENTION

The picture above is only for reference. The actual configuration will depend on the physical product or statement by the distributor

PRODUCT INSTALLATION

Install Instruction

For refrigerating appliances with climate class

- Depending on the climate class, this refrigerating appliance is intended to be used at ambient temperatures range as specified following table.
- The climate class can be found on the rating plate. The product may not operate properly at temperatures outside of the specific range.
- You can find the climate class on the product label.

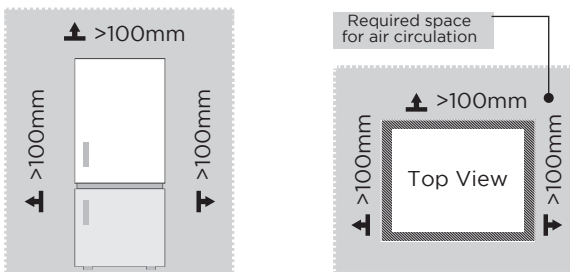
Effective temperature range

- The product is designed to operate normally in the temperature range specified by its class rating.

Class	Symbol	Ambient temperature range °C	
		IEC 62552 (ISO 15502)	ISO 8561
Extended temperate	SN	+ 10 to + 32	+ 10 to + 32
Temperate	N	+ 16 to + 32	+ 16 to + 32
Subtropical	ST	+ 16 to + 38	+ 18 to + 38
Tropical	T	+ 16 to + 43	+ 18 to + 43

Dimensions and Clearances

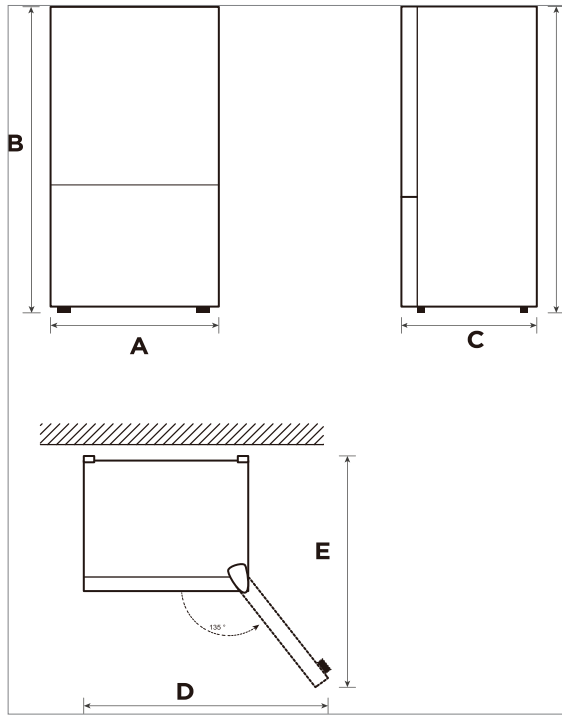
- Too small of a distance from adjacent items may result in the degradation of freezing capability and increased electricity costs. Allow over 100 mm of clearance from each adjacent wall when installing the appliance.



ATTENTION

The picture above is only for reference. The actual configuration will depend on the physical product or statement by the distributor.

Space requirement diagram (when the door is open and when the door is closed)



EN

Width	Overall Height	Depth	Width doors open 135°	Depth doors open 135°
A	B	C	D	E
595	1880	630	988	1074

Notice: All dimensions in mm

Door right-left change (optional)

Based on the location where you plan to use your refrigerator, you may find it more convenient to reverse the position of the door.

CAUTION

CAUTION: To avoid injury to yourself or your property, we recommend that someone assist you during the door reversal process.

Preparing to reverse the door position

You will need: A standard screwdriver, a Phillips screwdriver, and the included Allen wrench.

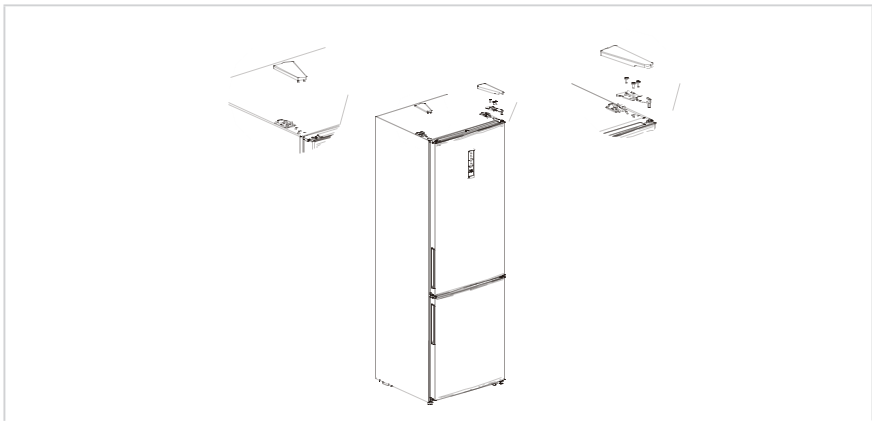
- Make sure that your refrigerator is unplugged and empty.
- Have someone available to assist you in the process.
- Keep all of the parts you remove to reuse them later.

Tools needed for changing the door:

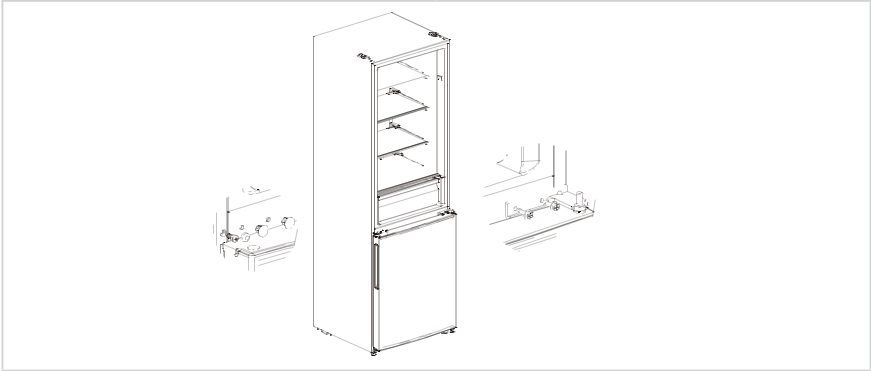


Step

1. Power off the refrigerator, and remove all objects from the door trays.
2. Dismantle upper hinge cover, disconnect the signal wires, upper hinge and hole cap of the other side, remove the refrigerating door.

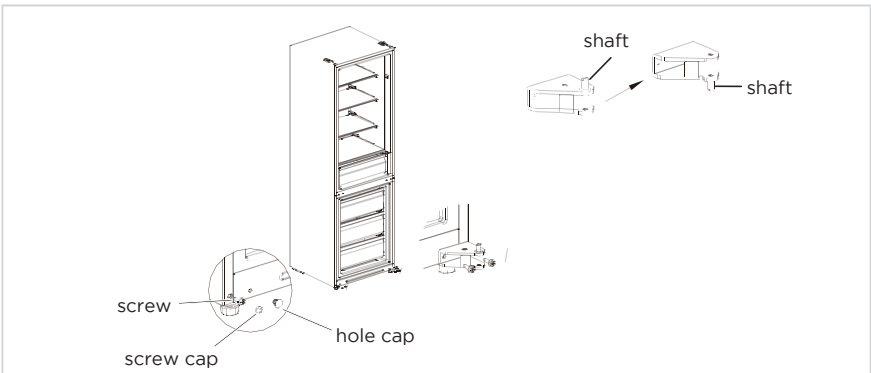


3. Dismantle the middle hinge, the screws, the screws hole caps and remove the freezer door.

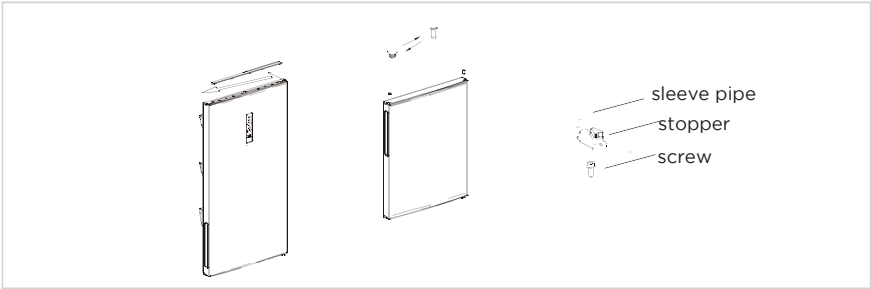


EN

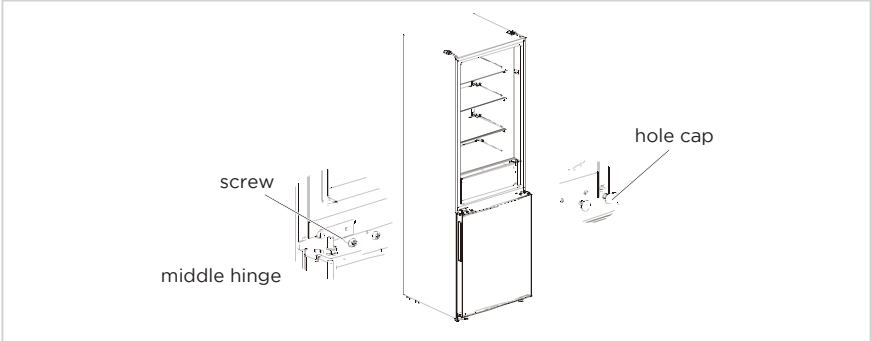
4. Dismantle the bottom hinge, hole caps and screws, Install the bottom hinge shaft on other side of the bottom hinge, then install the hinge on the other side.



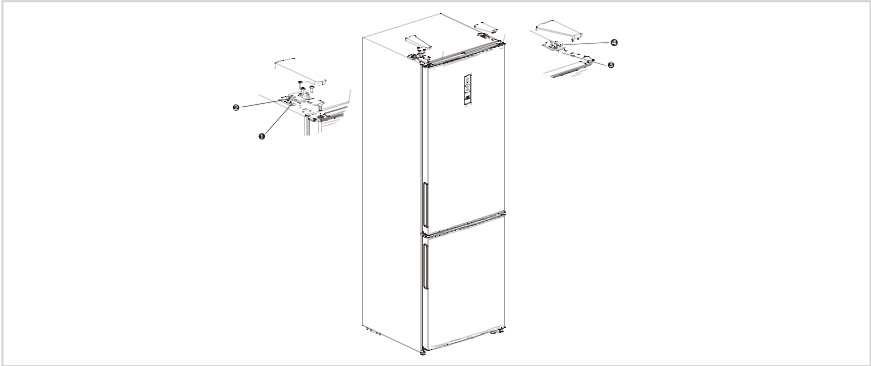
5. Dismantle the screws, sleeve pipe and stopper on the lower end cover of the two door bodies, and install them successively on the other side of the door bodies (the stopper needs to be replaced from the additional bag). Then remove the upper end cover of the cooler door and switch the wire harness with a sleeve pipe to the other side of the door body. Finally install the sleeve pipe of the upper hinge on the cooler door in the hole on the other side of upper end cover of the cooler door.



6. Put the freezer door on bottom hinge , install the middle hinge, the screws and the screw hole caps.



7. Place the door body for the refrigerator compartment on the middle hinge, then install the upper hinge to the other side of the cabinet, finally connect the terminals 1, 2 for the signal wires at the side of the upper hinge and terminals 3, 4 on the other side and cover the hinge cover and hole cover.



ATTENTION

The picture above is only for reference. The actual configuration will depend on the physical product or statement by the distributor.

Placement

- Before use, remove all packing materials, including bottom cushions, foam pads and tapes inside of the refrigerator; tear off the protective film on the doors and the refrigerator body.
- Keep away from heat and avoid direct sunlight. Do not place the freezer in moist or watery places to prevent rust or reduction of insulating effect.
- Do not spray or wash the refrigerator; do not put the refrigerator in moist places easy to be splashed with water so as not to affect the electrical insulation properties of the refrigerator.
- The refrigerator is placed in a well-ventilated indoor place; the ground shall be flat, and sturdy (rotate left or right to adjust the wheel for leveling if unstable).



Leveling feet

To avoid vibration, the unit must be leveled.

If required, adjust the leveling screws to compensate for the uneven floor.

The front should be slightly higher than the rear to aid in door closing.

Leveling screws can be turned easily by tipping the cabinet slightly.

Turn the leveling screws counterclockwise  to raise the unit, clockwise  to lower it.

Moving the appliance

1. Remove all food from inside the appliance.
2. Pull the power plug out, insert and fix it into the power plug hook at the rear or on top of the appliance.
3. Tape parts such as shelves and the door handle to prevent from falling off while moving the appliance.
4. Move the appliance with more than two people carefully. When transporting the appliance over a long distance, keep the appliance upright.
5. After installing the appliance, connect the power plug into a socket out to switch on the appliance.

ATTENTION

Precautions before operation:

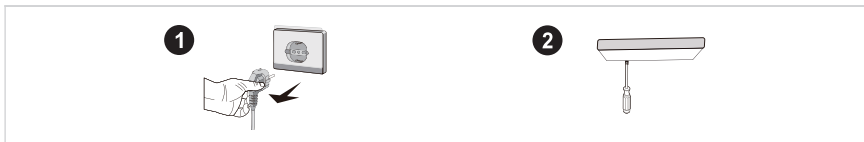
Before making changes the refrigerator must be disconnected from power. precautions should be taken to prevent any personal injury.

Changing the light

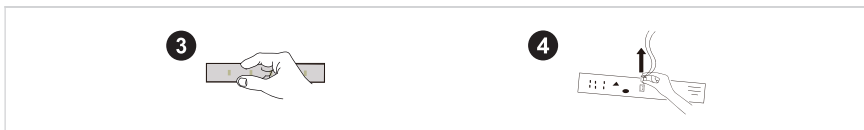
- Any replacement or maintenance of the LED lamps is intended to be made by the manufacturer, its service agent or similar qualified person. This product contains a light source of energy efficiency class <F>.

Step

- Please take out the plug before removal.
- Remove the lampshade with a screwdriver



- Take down the lamp panel.
- Remove the connection terminal.



Connecting the appliance

Before initial start, keep the refrigerator still for half an hour before connecting it to power supply.

ATTENTION

Before putting any fresh or frozen foods, the refrigerator shall have run for 2-3 hours, or for above 4 hours in summer when the ambient temperature is high.

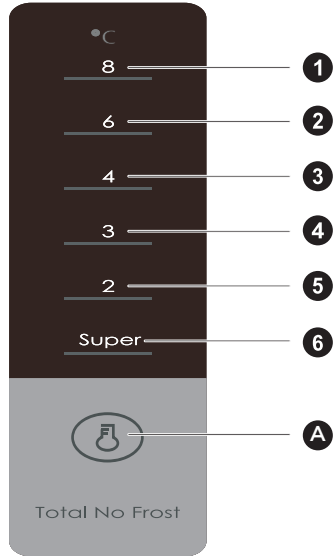
Tips for energy saving

- The appliance should be located in the coolest area of the room, away from heat producing appliances or heating ducts, and out of the direct sunlight.
- Let hot foods cool to room temperature before placing in the appliance. Overloading the appliance forces the compressor to run longer. Foods that freeze too slowly may lose quality, or spoil.
- Be sure to wrap foods properly, and wipe containers dry before placing them in the appliance. This cuts down on frost build-up inside the appliance.
- Appliance storage bin should not be lined with aluminum foil, wax paper, or paper toweling. Liners interfere with cold air circulation, making the appliance less efficient.
- Organize and label food to reduce door openings and extended searches. Remove as many items as needed at one time, and close the door as soon as possible.

OPERATION INSTRUCTIONS

EN

Control panel



ATTENTION

The picture above is only for reference. The actual configuration will depend on the physical product or statement by the distributor.

Key

A	Temperature setting button
---	----------------------------

Display screen

1	temperature setting 1
2	temperature setting 2
3	temperature setting 3
4	temperature setting 4
5	temperature setting 5
6	temperature setting 6

Display

When power-on the refrigerator, the display screen (including the key light) will shine in full for 3s, then the refrigerator runs according to temperature setting 3.

Display of normal running

On the occurrence of a failure, the corresponding LED light will give a combined display of failure code (in recycling display);

Where there is no failure, the LED light will display the existing temperature setting.

● ATTENTION

The actual control panel may differ from model to model.

Operating instructions

Gear setting

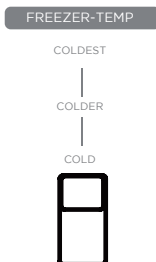
- The temperature setting will be changed once every time when you press the key SET. Then, the refrigerator will run under the new setting value after 15s.
Setting 1 → Setting 2 → Setting 3 → Setting 4 → Setting 5 → Setting 6 → Setting 1 →

Fast cool mode:

- Enter: Circulating modulation rapid cooling mode.
- Operate: Indicator of rapid cooling lights up, and the refrigerator operates at 2°C.
- Fast cool mode automatically disabled for 24H.
- Fast cool function can be used as Super freezing function.

Adjustment of manual air damper knob

- Turn the air damper slider up, the actual temperature inside the freezer room will drop, turn the air damper slider down, the actual temperature inside the freezer room will rise.



Error code

- The following warnings appearing on the display indicate corresponding faults of the refrigerator. Though the refrigerator may still have cooling and freezing function with the following faults, the user shall contact a maintenance specialist for maintenance, so as to ensure normal use of the refrigerator.

Fault Code	Fault Description
The LED 1 and LED 2 lit	Refrigerator temperature sensor circuit
The LED 1 and LED 3 lit	Freezer defrost sensor
The LED 1 and LED 4 lit	Ambient temperature sensor

ATTENTION

Note: The quick-freezing function is designed to maintain the nutritional value of the food in the freezer. It can freeze the food in the shortest time. If a large amount of food is frozen at one time, it is recommended that the user turn on the quick-freezing function and put the food in. At this time, the freezing speed of the freezer compartment is increased, which can quickly freeze the food, effectively lock the nutrition of the food, and facilitate storage.

Refrigerating chamber

- The Refrigerating Chamber is suitable for storage of a variety of fruits, vegetables, beverages and other food consumed in the short term, suggested storage time 3days to 5days.
- Cooking foods shall not be put in the refrigerating chamber until cooled to room temperature.
- Foods are recommended to be sealed up before putting into the refrigerator.
- The glass shelves can be adjusted up or down for a reasonable amount of storage space and easy use.

Freezing chamber

- The low temperature freezing chamber may keep food fresh for a long time and it is mainly used to store frozen foods and making ice.
- The freezing chamber is suitable for storage of meat, fish, rice balls and other foods not to be consumed in short term.
- Chunks of meat are preferably to be divided into small pieces for quick freezing and easy access. Please be noted food shall be consumed within the shelf time.

ATTENTION

Note: Storage of too much food during operation after the initial connection to power may adversely affect the freezing effect of the refrigerator.

Order	Compartments TYPE	Target storage temp. [°C]	Appropriate food
1	Fridge	+2 - +8	Eggs, cooked food, packaged food, fruits and vegetables, dairy products, cakes, drinks and other foods are not suitable for freezing.
2	(***)*-Freezer	≤-18	Seafood (fish, shrimp, shellfish), freshwater aquatic products and meat products (recommended for 3 months, the longer the storage time, the worse the taste and nutrition), suitable for frozen fresh food.
3	***-Freezer	≤-18	Seafood (fish, shrimp, shellfish), freshwater aquatic products and meat products (recommended for 3 months, the longer the storage time, the worse the taste and nutrition), suitable for frozen fresh food.
4	** -Freezer	≤-12	Seafood (fish, shrimp, shellfish), freshwater aquatic products and meat products (recommended for 3 months, the longer the storage time, the worse the taste and nutrition), suitable for frozen fresh food.
5	*-Freezer	≤-6	Seafood (fish, shrimp, shellfish), freshwater aquatic products and meat products (recommended for 3 months, the longer the storage time, the worse the taste and nutrition), suitable for frozen fresh food.
6	0-star	-6 - 0	Fresh pork, beef, fish, chicken, some packaged processed foods, etc. (Recommended to eat within the same day, preferably no more than 3 days). Partially encapsulated processed foods (non-freezable foods).
7	Chill	-2 - +3	Fresh/ frozen pork, beef, chicken, freshwater aquatic products, etc. (7 days below 0°C and above 0°C is recommended for consumption within that day, preferably no more than 2 days).Seafood (less than 0 for 15 days, it is not recommended to store above 0°C.
8	Fresh food	0 - +4	Fresh pork, beef, fish, chicken, cooked food, etc. (Recommended to eat within the same day, preferably no more than 3 days)
9	Wine	+5 - +20	Red wine, white wine, sparkling wine, etc.

ATTENTION

please store different foods according to the compartments or target storage temperature of your purchased.

CLEANING AND MAINTENANCE

EN

Overall cleaning

- Dusts behind the refrigerator and on the ground shall be timely cleaned to improve the cooling effect and energy saving.
- Check the door gasket regularly to make sure there are no debris. Clean the door gasket with a soft cloth dampened with soapy water or diluted detergent.
- The interior of the refrigerator should be cleaned regularly to avoid odor.
- Please turn off the power before cleaning interior, remove all foods, drinks, shelves, drawers, etc.
- Use a soft cloth or sponge to clean the inside of the refrigerator, with two tablespoons of baking soda and a quart of warm water. Then rinse with water and wipe clean. After cleaning, open the door and let it dry naturally before turning on the power.
- For areas that are difficult to clean in the refrigerator (such as narrow sandwiches, gaps or corners), it is recommended to wipe them regularly with a soft rag, soft brush, etc. and when necessary, combined with some auxiliary tools (such as thin sticks) to ensure no contaminants or bacterials accumulation in these areas.
- Do not use soap, detergent, scrub powder, spray cleaner, etc., as these may cause odors in the interior of the refrigerator or contaminated food.
- Clean the bottle frame, shelves and drawers with a soft cloth dampened with soapy water or diluted detergent. Dry with a soft cloth or dry naturally.
- Wipe the outer surface of the refrigerator with a soft cloth dampened with soapy water, detergent, etc., and then wipe dry.
- Do not use hard brushes, clean steel balls, wire brushes, abrasives (such as toothpastes), organic solvents (such as alcohol, acetone, banana oil, etc.), boiling water, acid or alkaline items, which may damage the fridge surface and interior. Boiling water and organic solvents such as benzene may deform or damage plastic parts.
- Do not rinse directly with water or other liquids during cleaning to avoid short circuits or affect electrical insulation after immersion.

ATTENTION

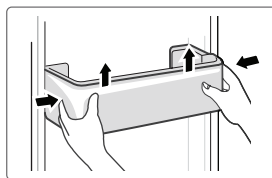
Please unplug the refrigerator for defrost and cleaning.

Defrosting

- The refrigerator is made based on the air-cooling principle and thus has automatic defrosting function. Frost formed due to change of season or temperature may also be manually removed by disconnection of the appliance from power supply or by wiping with a dry towel.

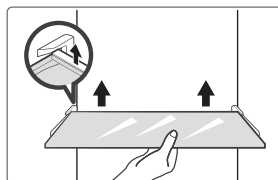
Cleaning of door tray

- According to the direction arrow in the figure below, use both hands to squeeze the tray, and push it upward, then you can take it out.
- After washing the tray having been taken out, you can adjust its installing height in accordance with your requirement.



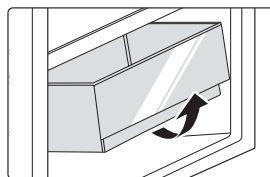
Cleaning of glass shelf

- As the innermost part of the refrigerator liner where contacting the shelves has a backstop, you shall raise the shelves upward, then you can be able to take it out.
- Adjust or clean the shelves according to your requirement.



Cleaning the vegetable drawer

1. Remove the contents of the drawer. Hold the handle of the vegetable drawer and pull it out completely until it stops.
2. Lift the vegetable drawer up and remove it by pulling it out.



Out of operation

Power failure:

In case of power failure, even if it is in summer, foods inside the appliance can be kept for several hours; during the power failure, the times of door opening shall be reduced, and no more fresh food shall be put into the appliance.

Long-time nonuse:

The appliance shall be unplugged and then cleaned; then the doors are left open to prevent odor.

Moving:

Before the refrigerator is moved, take all objects inside out, fix the glass partitions, vegetable holder, freezing chamber drawers and etc. with tape, and tighten the leveling feet; close the doors and fix them with tape. During moving, the appliance shall not be laid upside down or horizontally, or be vibrated; the inclination during movement shall be no more than 45°.

● ATTENTION

The appliance shall run continuously once it is started. Generally, the operation of the appliance shall not be interrupted; otherwise the service life may be impaired.

TROUBLESHOOTING

The following simple issues can be handled by the user. Please call the after-sale service department if the issues are not solved.

Problem	Possible reason
Failed operation	<ul style="list-style-type: none"> • Check whether the appliance is connected to power or whether the plug is in well contact
	<ul style="list-style-type: none"> • Check whether the voltage is too low
	<ul style="list-style-type: none"> • Check whether there is a power failure or partial circuits have tripped
Odor	<ul style="list-style-type: none"> • Odorous foods shall be tightly wrapped
	<ul style="list-style-type: none"> • Check whether there is any rotten food
	<ul style="list-style-type: none"> • Clean the inside of the refrigerator
Long-time operation of the compressor	<ul style="list-style-type: none"> • Long operation of the refrigerator is normal in summer when the ambient temperature is high
	<ul style="list-style-type: none"> • It is not suggestible having too much food in the appliance at the same time
	<ul style="list-style-type: none"> • Food shall get cool before being put into the appliance
	<ul style="list-style-type: none"> • The doors are opened too frequently
Light fails to get lit	<ul style="list-style-type: none"> • Check whether the refrigerator is connected to power supply and whether the illuminating light is damaged
	<ul style="list-style-type: none"> • Have the light replaced by a specialist
Door can not be properly closed	<ul style="list-style-type: none"> • The door is stuck by food packages
	<ul style="list-style-type: none"> • The refrigerator is tilted.
Loud noises	<ul style="list-style-type: none"> • Check whether the floor is level and whether the refrigerator is placed stably
	<ul style="list-style-type: none"> • Check whether accessories are placed at proper locations

Problem	Possible reason
Door seal fails to be tight	<ul style="list-style-type: none"> • Remove foreign matters on the door seal • Heat the door seal and then cool it for restoration (or blow it with an electrical drier or use a hot towel for heating)
Water pan overflows	<ul style="list-style-type: none"> • There is too much food in the chamber or food stored contains too much water, resulting in heavy defrosting • The doors are not closed properly, resulting in frosting due to entry of air and increased water due to defrosting
Hot housing	<ul style="list-style-type: none"> • Heat dissipation of the built-in condenser via the housing, which is normal when housing becomes hot due to high ambient temperature, storage of too much food or shutdown of the compressor is shut down, provide sound ventilation to facilitate heat dissipation
Surface condensation	<ul style="list-style-type: none"> • Condensation on the exterior surface and door seals of the refrigerator is normal when the ambient humidity is too high. Just wipe the condensate with a clean towel.
Abnormal noise	<ul style="list-style-type: none"> • Buzz: The compressor may produce buzzes during operation, and the buzzes are loud particularly upon start or stop. This is normal. • Creak: Refrigerant flowing inside of the appliance may produce creak, which is normal.

APPENDIX

Special for new European standard

The ordered parts in the following table can be acquired from Service provider channel

Ordered part	Provided by	Minimum time required for Provision
Thermostats	Professional maintenance personnel	At least 7 years after the last model is launched on the market
Temperature sensors	Professional maintenance personnel	At least 7 years after the last model is launched on the market
Printed circuit boards	Professional maintenance personnel	At least 7 years after the last model is launched on the market
Light sources	Professional maintenance personnel	At least 7 years after the last model is launched on the market
Door handles	Professional repairers and final users	At least 7 years after the last model is launched on the market
Door hinges	Professional repairers and final users	At least 7 years after the last model is launched on the market
Trays	Professional repairers and final users	At least 7 years after the last model is launched on the market
Baskets	Professional repairers and final users	At least 7 years after the last model is launched on the market
Door gaskets	Professional repairers and final users	At least 10 years after the last model is launched on the market

EN

Dear customer

1. If you want to return or replace the product, please contact the store where you buy.

(Remember to bring the purchase invoice)

2. If your product breaks down which needs to repair, please contact after-sales service provider.

ATTENTION

The model information in the product database, as well as the model identifier, can be obtained through a weblink scanned by a QR code, if any, on the energy efficiency label of the product.

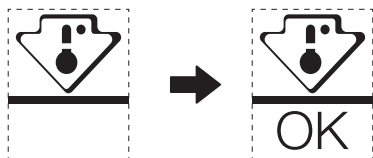
For more information about the energy efficiency of the appliance, visit <https://ec.europa.eu> and search using the model name.

The model name can be found on the rating label of the appliance.

Coldest zone in the refrigerator

OPTIONAL: OK-temperature indicator

- The OK-temperature indicator can be used to determine temperatures below +4°C. Gradually reduce the temperature if the sign does not indicate “OK”.



- To ensure the temperature in this area, do not change the positioning of the shelf. In forced air refrigerators (equipped with a fan or No Frost models), the symbol of the coldest zone is not represented because the temperature inside is homogeneous.

Temperature indicator setting

- To help you set your refrigerator well, it is equipped with a temperature indicator that will monitor the average temperature in the coldest zone.
- **WARNING:** This indicator is intended to work only with your refrigerator, do not use it in another refrigerator (in fact, the coldest zone is not the same), or for any other use.

Checking the temperature in the coldest zone

- With the temperature indicator, you can check regularly that the temperature of the coldest zone is correct. Indeed, the internal temperature of the refrigerator depends on several factors such as the ambient temperature of the room, the amount of food stored and the frequency of door opening. Take these factors into consideration when setting the device.
- When the indicator shows « OK », this means that your thermostat is well adjusted and the internal temperature correct.
- If the indicator of temperature turns WHITE, this means that the temperature is too high; in this case, increase the refrigerator temperature control setting and wait for 12 hours before performing a new visual inspection of the indicator. When fresh food has been introduced or the door has been left open, it is possible for the indicator of temperature to turn WHITE after a while.

DANKE

Vielen Dank, dass Sie sich für Midea entschieden haben! Bevor Sie Ihr neues Midea-Produkt in Betrieb nehmen, lesen Sie bitte dieses Handbuch aufmerksam durch, damit Sie wissen, wie Sie die Funktionen Ihres neuen Geräts auf sichere Weise nutzen können.

INHALTSVERZEICHNIS

DE

DANKE	01
SPEZIFIKATION	02
PRODUKTÜBERSICHT	03
PRODUKTINSTALLATION	04
BETRIEBSANLEITUNG	11
REINIGUNG UND WARTUNG	15
FEHLERBEHEBUNG	17
ANHANG	19

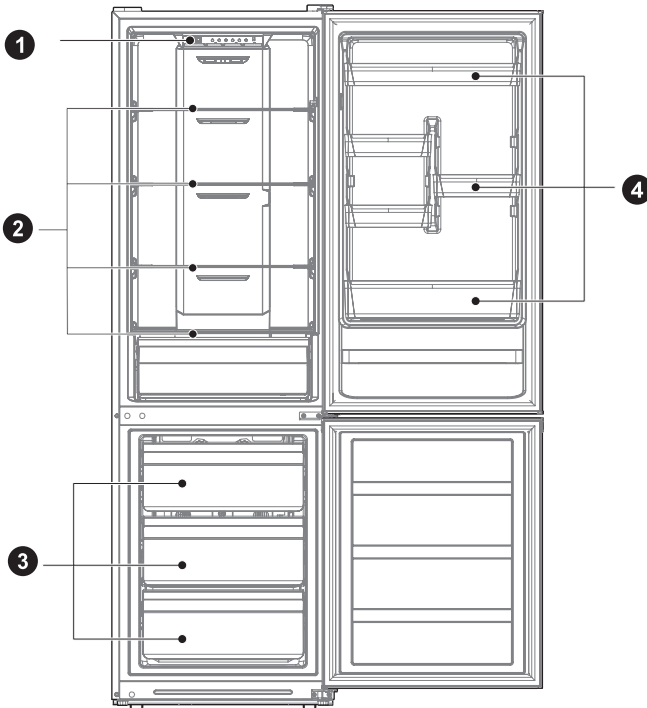
SPEZIFIKATION

Produktmodell	MDRB424FGE
Fassungsvermögen des Frischkostfaches	224 Liter
Fassungsvermögen des Gefrierkostfaches	86 Liter
Abtautyp	Automatisches Abtauen
Temperaturanstiegszeit	8 Std.
Gefrierkapazität	3,9 kg / 24 Std.
Nennspannung/-frequenz	220-240V~/50Hz
Nennstrom	0,8 A
Gesamtabmessung (H x B x T)	1880 x 595 x 630 mm

DE

PRODUKTÜBERSICHT

Komponentenbezeichnung



1 LED-Beleuchtung

2 Ablagefach

3 Schubfach

4 Türablage

ACHTUNG

Die vorstehende Abbildung dient lediglich als Referenz. Die vorhandene Konfiguration ist vom tatsächlichen Produkt oder den Angaben des Lieferanten abhängig.

DE

PRODUKTINSTALLATION

Installationsanleitung

Für Kühlgeräte mit Klimaklasse

- In Abhängigkeit von der Klimaklasse ist diese Gefriertruhe für den Einsatz in dem Temperaturbereich bestimmt, der in nachstehender Tabelle angegeben ist.
- Die Klimaklasse finden Sie auf dem Typenschild. Außerhalb des angegebenen Temperaturbereiches arbeitet das Gerät u. U. nicht ordnungsgemäß.
- Die Klimaklasse finden Sie auf dem Produktetikett.

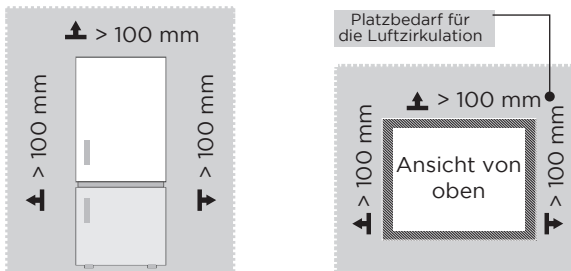
Effektiver Temperaturbereich

- Das Produkt wurde entwickelt, um in dem bei seiner Klimaklasse angegebenen Temperaturbereich normal zu arbeiten.

Klasse	Symbol	Umgebungstemperaturbereich °C	
		IEC 62552 (ISO 15502)	ISO 8561
Kaltgemäßigt	SN	+10 bis +32	+10 bis +32
Kühlgemäßigt	N	+16 bis +32	+16 bis +32
Subtropisch	ST	+16 bis +38	+18 bis +38
Tropisch	T	+16 bis +43	+18 bis +43

Abmessungen und Abstände

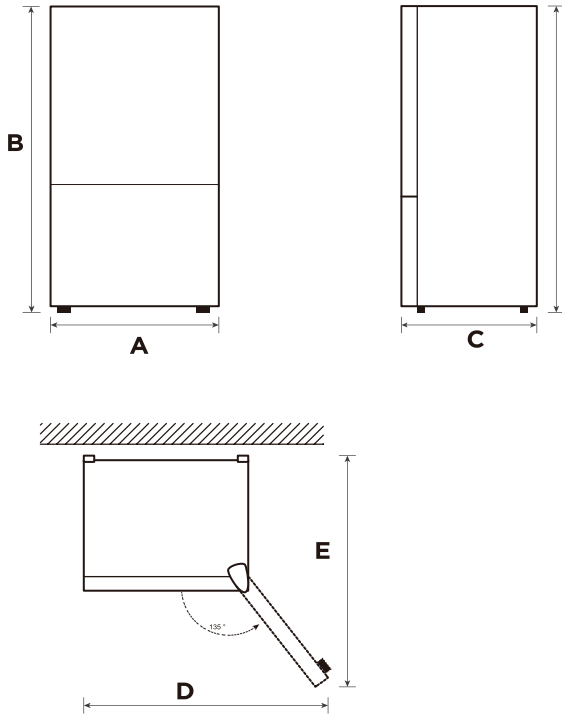
- Ein zu geringer Abstand zu benachbarten Gegenständen kann zu einer Verschlechterung der Gefrierleistung und erhöhten Stromkosten führen. Lassen Sie bei der Installation des Geräts einen Abstand von mehr als 100 mm zu jeder angrenzenden Wand.



⚠ ACHTUNG

Die vorstehende Abbildung dient lediglich als Referenz. Die vorhandene Konfiguration ist vom tatsächlichen Produkt oder den Angaben des Lieferanten abhängig.

Platzbedarfsdiagramm (bei geöffneter und geschlossener Tür)



DE

Breite	Gesamthöhe	Tiefe	Breite bei geöffneten Türen 135°	Tiefe bei geöffneten Türen 135°
A	B	C	D	E
595	1880	630	988	1074

Hinweis: Alle Abmessungen in mm

Rechts-Links-Wechsel der Tür (optional)

Je nach dem Ort, an dem Sie Ihren Kühlschrank in Betrieb nehmen möchten, kann es für Sie günstiger sein, die Öffnungsrichtung der Tür zu wechseln.

VORSICHT

VORSICHT: Um Verletzungen oder Sachschäden zu vermeiden, empfehlen wir, dass Ihnen jemand beim Wechseln der Öffnungsrichtung der Tür hilft.

Vorbereiten für das Wechseln der Öffnungsrichtung der Tür

Sie benötigen dazu: Einen Standardschraubendreher, einen Kreuzschlitzschraubendreher und den mitgelieferten Inbusschlüssel.

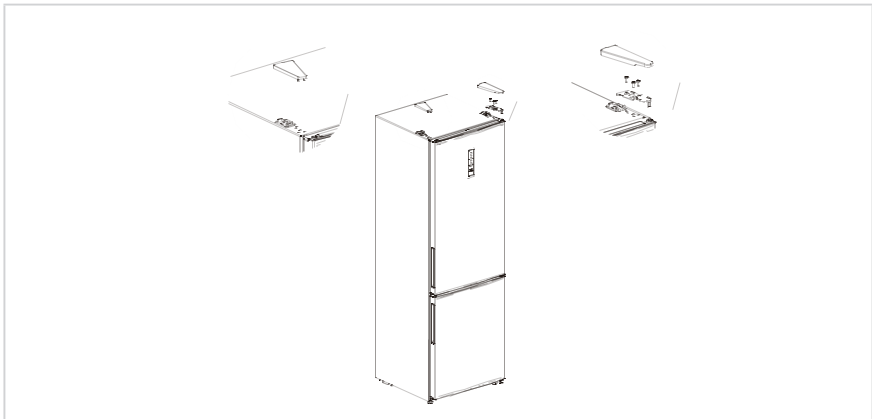
- Vergewissern Sie sich, dass Ihr Kühlschrank von der Stromquelle getrennt und leer ist.
- Lassen Sie sich bei diesem Vorgang von jemandem helfen.
- Bewahren Sie alle entfernten Teile auf, um sie später wieder zu verwenden.

Für den Wechseln der Öffnungsrichtung der Tür benötigte Werkzeuge:

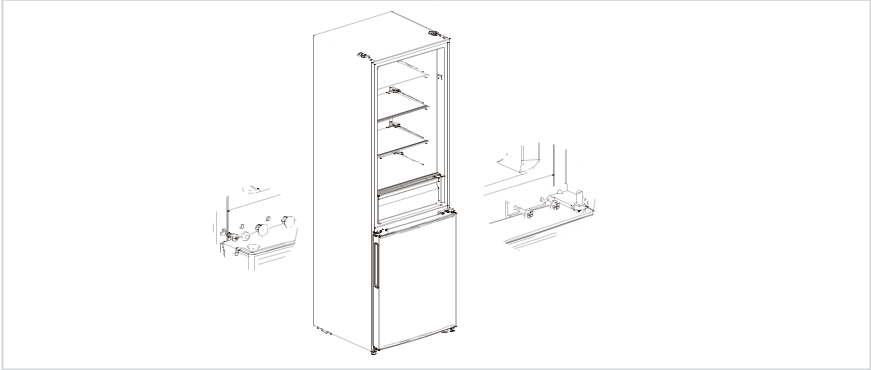


Schritt

1. Schalten Sie den Kühlschrank aus und nehmen Sie alle Gegenstände aus dem Kühlschrank heraus, die sich in den Türfächern befinden.
2. Demontieren Sie die obere Scharnierabdeckung, trennen Sie die Signalkabel, das obere Scharnier und die Lochkappe auf der anderen Seite abtrennen und entfernen Sie die Kühlschranktür.

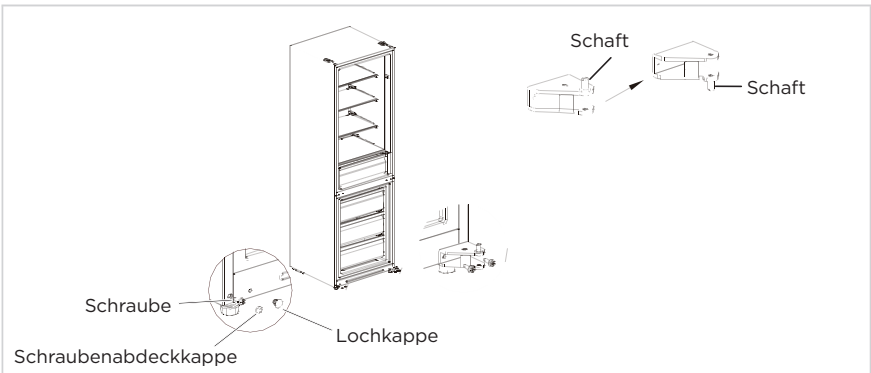


3. Entfernen Sie das mittlere Scharnier, die Schrauben, die Schraubenlochabdeckungen und die Tiefkühlschranktür.

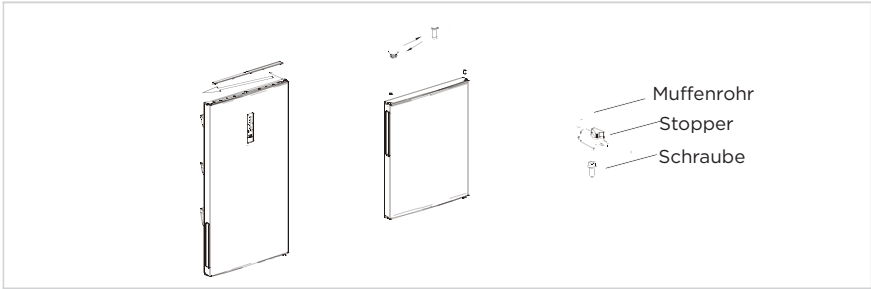


DE

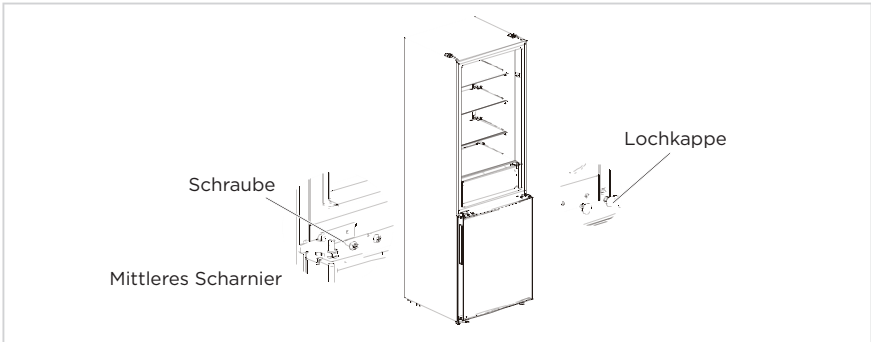
4. Demontieren Sie das untere Scharnier, die Lochkappen und die Schrauben. Montieren Sie die untere Scharnierachse auf der anderen Seite des unteren Scharniers und bringen Sie dann das Scharnier auf der anderen Seite an.



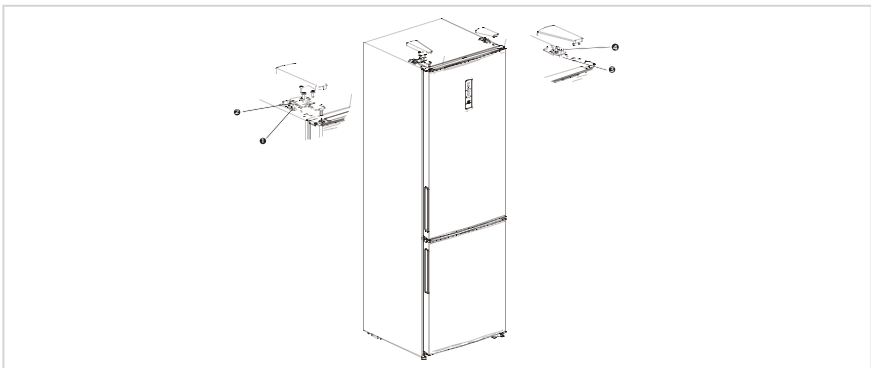
5. Entfernen Sie die Schrauben, demontieren Sie das Muffenrohr und den Stopper an der unteren Endabdeckung der beiden Türgehäuse und montieren Sie diese nacheinander auf der anderen Seite der Türgehäuse (der Stopper muss aus dem Zusatzbeutel ersetzt werden). Entfernen sie anschließend die obere Endabdeckung der Kühlschranktür und verlegen Sie den Kabelbaum mit einem Muffenrohr auf die andere Seite des Türgehäuses. Zum Schluss montieren Sie das Muffenrohr des oberen Scharniers der Kühlschranktür in das Loch auf der anderen Seite der oberen Endabdeckung der Kühlschranktür.



6. Setzen Sie die Gefrierschranktür auf das untere Scharnier, montieren Sie das mittlere Scharnier, bringen Sie die Schrauben und die Schraubenlockkappen an.



7. Setzen Sie das Türgehäuse des Kühlfachs auf das mittlere Scharnier. Montieren Sie dann das obere Scharnier auf der anderen Seite des Kühlschranks, schließen Sie die Klemmen 1, 2 für die Signalkabel an der Seite des oberen Scharniers und die Klemmen 3, 4 auf der anderen Seite an und decken Sie die Scharnierabdeckung und die Lochkappe ab.



● ACHTUNG

Die vorstehende Abbildung dient lediglich als Referenz. Die vorhandene Konfiguration ist vom tatsächlichen Produkt oder den Angaben des Lieferanten abhängig.

Aufstellen

- Entfernen Sie vor der Erstbenutzung des Kühlschranks jegliches Verpackungsmaterial einschließlich der unteren Dämpfung, der Schaumstoffpads und des Klebebandes im Inneren des Kühlschranks und ziehen Sie dann die Schutzfolie der Türen und des Kühlschrankgehäuses ab.
- Stellen Sie die Gefriertruhe fern von Hitze oder direkter Sonneneinstrahlung auf. Stellen Sie die Gefriertruhe nicht an feuchten oder nassen Orten auf, um Rost oder eine Verminderung der isolierenden Wirkung zu vermeiden.
- Sprühen oder waschen Sie den Kühlschrank nicht ab; stellen Sie den Kühlschrank nicht an Plätzen mit hoher Luftfeuchtigkeit und auch dort nicht auf, wo er leicht Spritzwasser ausgesetzt sein kann, um nicht die elektrischen Isolationseigenschaften des Kühlschranks zu gefährden.
- Stellen Sie den Kühlschrank in einem gut belüfteten Raum auf, in dem der Boden eben und stabil ist (drehen Sie die Nivellierfüße in oder gegen Uhrzeigersinn, um den Kühlschrank auszunivellieren, wenn er unstabil stehen sollte).

Nivellierfüße

Um Vibrationen zu vermeiden, muss das Gerät nivelliert werden.

Falls erforderlich, passen Sie die Nivellierschrauben an, um Bodenunebenheiten auszugleichen.

Die Vorderseite sollte etwas höher als die Rückseite sein, um das Schließen der Tür zu erleichtern.

Die Nivellierschrauben lassen sich durch leichtes Kippen des Kühlschranks leicht drehen.

Drehen Sie die Nivellierschrauben gegen den Uhrzeigersinn , um das Gerät anzuheben, und im Uhrzeigersinn , um es abzusenken.

Bewegen des Geräts

1. Entfernen Sie alle Lebensmittel aus dem Inneren des Geräts.
2. Ziehen Sie den Netzstecker heraus, wickeln Sie sie auf und befestigen Sie sie am Netzsteckerhaken an der Rückseite oder an der Oberseite des Geräts.
3. Kleben Sie Teile wie Einlegeböden und den Türgriff mit Klebeband ab, damit sie beim Bewegen des Geräts nicht herunterfallen.
4. Das Gerät sollte vorsichtig und von nicht weniger als zwei Personen bewegt werden. Halten Sie das Gerät aufrecht, wenn Sie es über eine längere Strecke transportieren.
5. Schließen Sie nach der Installation des Geräts den Netzstecker an eine Steckdose an, um das Gerät einzuschalten.

ACHTUNG

Sicherheitsmaßnahmen vor der Inbetriebnahme:
Bevor Änderungen vorgenommen werden, muss der Kühlschrank vom Stromnetz getrennt werden. Es sollten Vorsichtsmaßnahmen getroffen werden, um Verletzungen zu vermeiden.

Ändern der Beleuchtung

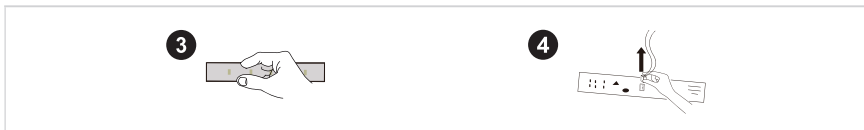
- Der Austausch oder die Wartung der LED-Lampen ist vom Hersteller, seinem Kundendienst oder einer ähnlich qualifizierten Person vorzunehmen. Dieses Produkt enthält eine Lichtquelle der Energieeffizienzklasse <F>.

Schritt

1. Ziehen Sie vor dem Entfernen den Stecker.
2. Entfernen Sie den Lampenschirm mit einem Schraubendreher



3. Nehmen Sie den Lampensockel herunter.
4. Trennen Sie die Steckverbindung.



Anschließen des Geräts

Lassen Sie den Kühlschrank eine halbe Stunde still stehen, bevor Sie ihn am Stromnetz anschließen.

⚠ ACHTUNG

Der Kühlschrank muss 2 – 3 Stunden und im Sommer bei hohen Umgebungstemperaturen mindestens 4 Stunden laufen, bevor Sie frische oder gefrorene Lebensmittel in den Kühlschrank legen/stellen können.

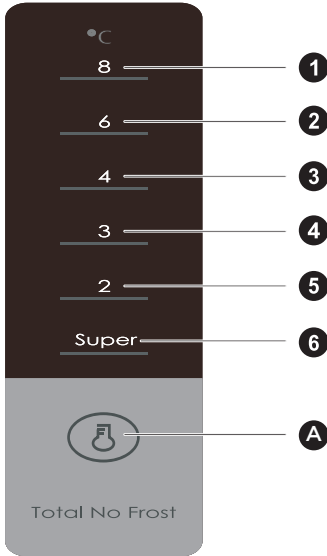
Tipps zum Energiesparen

- Das Gerät sollte im kühlestem Bereich des Raumes fern von wärmeerzeugenden Geräten, Wärmeleitungen und direkter Sonneneinstrahlung aufgestellt werden.
- Lassen Sie heiße Nahrungsmittel erst auf Zimmertemperatur abkühlen, bevor Sie sie in das Kühlgerät stellen. Durch Überladen des Kühlgeräts wird der Kompressor gezwungen, länger zu laufen. Nahrungsmittel, die zu langsam gefrieren, können an Qualität einbüßen oder sogar verderben.
- Vergewissern Sie sich, dass Sie die Nahrungsmittel ordentlich eingewickelt haben und wischen Sie deren Aufbewahrungsbehälter ganz trocken, bevor Sie sie in das Kühlgerät legen/stellen. Das reduziert die Frostbildung im Inneren des Kühlgeräts.
- Das Innere oder Körbe dürfen nicht mit Aluminiumfolie, Wachspapier oder Papierhandtüchern ausgekleidet werden. Durch Abdecken wird die Kaltluftzirkulation behindert, wodurch die Effizienz des Kühlgeräts sinkt.
- Ordnen und beschriften Sie die Nahrungsmittel, um einem unnötig Öffnen der Tür und einem zu langen Suchen im Kühlgerät entgegenzuwirken. Nehmen Sie pro Türöffnung nur die wirklich benötigte Menge an Nahrungsmitteln heraus und schließen Sie anschließend so schnell wie möglich die Tür wieder.

BETRIEBSANLEITUNG

DE

Bedienfeld



⚠ ACHTUNG

Die vorstehende Abbildung dient lediglich als Referenz. Die vorhandene Konfiguration ist vom tatsächlichen Produkt oder den Angaben des Lieferanten abhängig.

Taste

A	Taste für die Temperatureinstellung
---	-------------------------------------

Displayanzeige

1	Temperatureinstellung 1
2	Temperatureinstellung 2
3	Temperatureinstellung 3
4	Temperatureinstellung 4
5	Temperatureinstellung 5
6	Temperatureinstellung 6

Display

Beim Einschalten des Kühlschranks leuchtet die Anzeige (einschließlich der Tastenbeleuchtung) 3 Sekunden vollständig auf, dann läuft der Kühlschrank entsprechend der Temperatureinstellung 3.

Anzeige des Normalbetriebs

Bei Auftreten eines Fehlers zeigt die entsprechende LED-Leuchte den Fehlercode (in der Recycling-Anzeige) an;

Liegt kein Fehler vor, zeigt die LED-Leuchte die aktuelle Temperatureinstellung an.

ACHTUNG

Das tatsächliche Bedienfeld kann sich von Modell zu Modell unterscheiden.

Betriebsanleitung

Stufeneinstellung

- Die Temperatureinstellung wird jedes Mal einmal geändert, wenn Sie die Taste SET drücken. Nach 15 Sekunden läuft der Kühlschrank dann unter den neuen Einstellungswerten.

Einstellung 1 → Einstellung 2 → Einstellung 3 → Einstellung 4 → Einstellung 5 → Einstellung 6 → Einstellung 1 →.....

Schockkühlmodus:

- Wechseln in diesen Modus: Zirkulationsmodulation im Schnellkühlbetrieb.
- Betrieb: Die Anzeige für die Schnellkühlung leuchtet auf, und der Kühlschrank arbeitet mit 2°C.
- Der Schnellkühlmodus wird automatisch für 24 Stunden deaktiviert.
- Die Schnellkühlfunktion kann als Super-Gefrierfunktion verwendet werden.

Manuelle Einstellung der Luftklappe

- Bewegen Sie den Schieber der Luftklappe nach oben, sinkt die tatsächliche Temperatur im Gefrierraum. Bewegen Sie den Schieber der Luftklappe nach unten, steigt die tatsächliche Temperatur im Gefrierraum.

GEFRIERSCHRANK-TEMP.

AM KÄLTESTEN

|

KÄLTER

|

KALT



Fehlercode

- Die auf dem Display angezeigten Warnungen weisen Sie auf Fehler des Kühlschranks hin. Auch wenn der Kühlschrank noch seine Kühl- oder Gefrierfunktion besitzt, müssen Sie sich beim Auftreten eines Fehlers mit einem/-r Servicetechniker/-in zwecks Wartung/Instandsetzung in Verbindung setzen, um den optimierten Betrieb des Kühlschranks sicherstellen zu können.

Fehlercode	Fehlerbeschreibung
LED 1 und LED 2 leuchten	Kühlschranktemperatursensor
LED 1 und LED 3 leuchten	Tiefkühlschrankabtausensor
LED 1 und LED 4 leuchten	Umgebungstemperatursensor

ACHTUNG

Hinweis: Die Schnellfrostfunktion wurde entwickelt, um den Nährwert der Nahrungsmittel im Tiefkühlschrank zu bewahren. Sie kann die Nahrungsmittel in kürzester Zeit einfrieren. Wenn eine große Menge Nahrungsmittel gleichzeitig eingefroren werden soll, aktivieren Sie die Schockfrostfunktion und geben Sie die Nahrungsmittel hinein. Die Gefriereschwindigkeit des Gefrierbereichs wird erhöht, wodurch Nahrungsmittel schneller einfrieren, Nährstoffe effektiv eingeschlossen werden und die Aufbewahrung vereinfacht wird.

Kühlbereich

- Der Kühlbereich ist für die Aufbewahrung von Obst, Gemüse, Getränken und anderen Nahrungsmitteln geeignet, die in kurzer Zeit verbraucht werden. Die empfohlene max. Aufbewahrungszeit beträgt 3 bis 5 Tage.
- Zubereitete Lebensmittel dürfen erst dann in den Kühlbereich gestellt/gelegt werden, nachdem Sie auf Zimmertemperatur abgekühlt sind.
- Früchte sollten mit Folie abgedeckt/umwickelt werden, bevor Sie in den Kühlschrank gelegt/gestellt werden.
- Die Glasablagefächer können in der Höhe nach oben und unten hin an die aufzubewahrenden Nahrungsmittel angepasst werden.

Gefrierschubfach

- Im Gefrierschubfach können Sie Lebensmittel für lange Zeit frisch halten. Es wird hauptsächlich für die Aufbewahrung von Gefriergut sowie zur Eisherstellung verwendet.
- Das Gefrierschubfach ist für die Aufbewahrung von Nahrungsmitteln wie beispielsweise Fleisch, Fisch, Reisbällchen usw. geeignet, die nicht in kurzer Zeit verbraucht werden.
- Größere Fleischstücke sollten dabei für schnelles Gefrieren und einfache Entnehmbarkeit in kleine handliche Portionen zerteilt werden. Beachten Sie, dass Lebensmittel vor dem Verfalldatum verzehrt werden müssen.

ACHTUNG

Hinweis: Die Aufbewahrung von zu vielen Nahrungsmitteln kurz nach der Erstinbetriebnahme kann den Gefriereepekt des Kühlschranks negativ beeinflussen.

Reihenfolge	Fächer TYP	Zieltemp. [°C]	Geeignete Lebensmittel
1	Kühlschrank	+2 - +8	Eier, gekochte Lebensmittel, verpackte Lebensmittel, Obst und Gemüse, Milchprodukte, Kuchen, Getränke und andere Lebensmittel eignen sich nicht als Gefrierkost.
2	(***)*-Gefrierschrank	≤-18	Meeresfrüchte (Fisch, Garnelen, Schalentiere), Süßwasserprodukte und Fleischprodukte (empfohlen für 3 Monate, je länger gelagert, desto schlechter der Geschmack und der Nährwert), eignen sich als gefrorene Frischkost.
3	***-Gefrierschrank	≤-18	Meeresfrüchte (Fisch, Garnelen, Schalentiere), Süßwasserprodukte und Fleischprodukte (empfohlen für 3 Monate, je länger gelagert, desto schlechter der Geschmack und der Nährwert), eignen sich als gefrorene Frischkost.
4	** -Gefrierschrank	≤-12	Meeresfrüchte (Fisch, Garnelen, Schalentiere), Süßwasserprodukte und Fleischprodukte (empfohlen für 3 Monate, je länger gelagert, desto schlechter der Geschmack und der Nährwert), eignen sich als gefrorene Frischkost.
5	*-Gefrierschrank	≤-6	Meeresfrüchte (Fisch, Garnelen, Schalentiere), Süßwasserprodukte und Fleischprodukte (empfohlen für 3 Monate, je länger gelagert, desto schlechter der Geschmack und der Nährwert), eignen sich als gefrorene Frischkost.
6	0 Sterne	-6 - 0	Frisches Schweine-, Rind- und Hühnerfleisch, Fisch, einige verpackte verarbeitete Lebensmittel usw. (Es wird empfohlen, diese am selben Tag zu verzehren, vorzugsweise nicht später als nach 3 Tagen). Teilweise eingekapselte verarbeitete Lebensmittel (nicht gefrierbare Lebensmittel).
7	Kühlen	-2 - +3	Frisches/gefrorenes Schweine-, Rind- und Hühnerfleisch, Süßwasserprodukte, usw. (7 Tage unter 0°C und über 0°C wird für den Verzehr am selben Tages empfohlen, vorzugsweise nicht später als nach 2 Tagen). Meeresfrüchte (weniger als 0 für 15 Tage, es wird nicht empfohlen, sie über 0°C zu lagern).
8	Frischkost	0 - +4	Frisches Schweine-, Rind- und Hühnerfleisch, Fisch, gekochte, Lebensmittel usw. (Es wird empfohlen, diese am selben Tag zu verzehren, vorzugsweise nicht später als nach 3 Tagen).
9	Wein	+5 - +20	Rotwein, Weißwein, Sekt, usw.

ACHTUNG

Bitte lagern Sie die verschiedenen Lebensmittel den Fächern entsprechend oder der angestrebten Lagertemperatur des gekauften Produkts.

REINIGUNG UND WARTUNG

Gesamtreinigung

- Staub hinter dem Kühlschrank und auf dem Boden muss regelmäßig entfernt werden, um den Kühleffekt effizient zu halten und Energie zu sparen.
- Überprüfen Sie regelmäßig die Türdichtung, um sicherzustellen, dass Sie nicht verschmutzt ist. Reinigen Sie die Türdichtung mit einem weichen, mit Seifenlauge oder verdünntem Reinigungsmittel angefeuchteten Tuch.
- Der Innenraum des Kühlschranks sollte regelmäßig gereinigt werden, um der Geruchsentwicklung vorzubeugen.
- Bitte schalten Sie den Kühlschrank aus, bevor Sie alle Nahrungsmittel, Getränke, Ablagefächer, Einschübe usw. herausnehmen und den Kühlschrank reinigen.
- Benutzen Sie ein weiches Tuch oder einen weichen Schwamm zusammen mit in 1 Liter Wasser gelösten 2 TL Backpulver, um den Kühlschrankinnenraum zu reinigen. Spülen Sie sie dann mit Wasser ab und wischen Sie sie anschließend trocken. Öffnen Sie nach der Reinigung die Gerätetür, damit der Innenraum auf natürliche Weise trocknen kann, bevor Sie das Gerät wieder am Stromnetz anschließen.
- Für die schwer zu reinigenden Bereiche des Kühlschranks (wie z. B. Einengungen, Zwischenräume oder Ecken) ist es empfehlenswert, sie mit einem weichen Lappen, einer weichen Bürste o. ä. zu reinigen. Setzen Sie sie bei Bedarf in Kombination mit weiteren zusätzlichen Hilfsmitteln (wie z. B. dünne Stäbchen) ein, um sicherzustellen, dass sich in diesen Bereichen keine Verschmutzungen oder Bakterien ansammeln.
- Verwenden Sie weder Seife, Spülmittel, Reinigungspulver, Reinigungssprays usw., weil diese im Innenraum des Kühlschranks Gerüche verursachen oder Nahrungsmittel verunreinigen können.
- Reinigen Sie die Flaschenfächer, Ablagefächer und Einschübe mit einem weichen, mit Seifenlauge oder verdünntem Reinigungsmittel angefeuchteten Tuch. Wischen Sie sie anschließend mit einem weichen Tuch trocken oder lassen Sie sie auf natürliche Weise trocknen.
- Wischen Sie die Außenseite des Kühlschranks mit einem weichen Tuch ab, das mit einer Seifenlösung, einem Reinigungsmittel usw. benetzt wurde und wischen Sie ihn anschließend trocken.
- Verwenden Sie für die Reinigung des Kühlschranks keine harten Bürsten, Stahltopfreiniger, Drahtbürsten, Scheuermittel (wie beispielsweise Zahnpasta), organische Reinigungsmittel (wie beispielsweise Alkohol, Aceton, Bananenöl usw.), kochendes Wasser oder saure/basische Mittel, weil diese die Oberfläche und/oder den Innenraum des Kühlschranks angreifen können. Durch kochendes Wasser und organische Lösungsmittel wie beispielsweise Benzen können sich die Kunststoffteile verformen oder beschädigt werden.
- Spülen Sie während der Reinigung niemals direkt mit Wasser oder anderen Flüssigkeiten, um einen Kurzschluss oder einer Beeinträchtigung der elektrischen Isolationseigenschaften vorzubeugen.

ACHTUNG

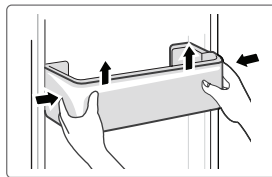
Bitte trennen Sie zum Abtauen und für die Reinigung den Kühlschrank vom Stromnetz.

Abtauen

- Der Kühlschrank arbeitet nach dem Luftkühlungsprinzip und besitzt somit auch eine automatische Abtaufunktion. Sie können aber den Frost auch manuell entfernen, der sich aufgrund von Jahreszeitenwechsel oder Temperaturschwankungen bildet. Trennen Sie hierfür das Gerät vom Stromnetz oder wischen Sie ihn mit einem trockenen Handtuch weg.

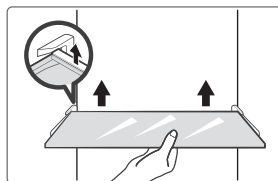
Reinigung der Türablage

- Drücken Sie die Ablage mit beiden Händen wie durch die Pfeile in nachstehender Abbildung angegeben zusammen und drücken Sie sie anschließend nach oben. Anschließend können Sie die Ablage herausnehmen.
- Reinigen Sie die Ablage gründlich und setzen Sie sie dann in der gewünschten Höhe wieder ein.



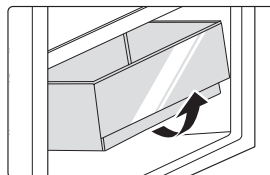
Reinigung der Glasablage

- Heben Sie die Ablagen an der hinteren Seite der Glasablage dort an, wo die Sicherung der Glasablage in der Halterung liegt und nehmen Sie anschließend die Glasablage heraus.
- Reinigen Sie die Glasablage und setzen Sie sie anschließend in der gewünschten Höhe wieder ein.



Reinigung der Gemüseschublade

1. Nehmen Sie den Inhalt der Schublade heraus. Halten Sie die Gemüseschublade am Griff fest und ziehen Sie sie vollständig bis zum Anschlag heraus.
2. Heben Sie die Gemüseschublade an und ziehen Sie sie heraus.



Außer-Betrieb-Zustand

Stromausfall:

Bei einem Stromausfall können Nahrungsmittel selbst im Sommer im Inneren des Geräts mehrere Stunden lang aufbewahrt werden, wobei die Tür so wenig wie nur möglich geöffnet werden sollte und keine weiteren frischen Nahrungsmittel in den Kühlschrank gelegt/gestellt werden dürfen.

Nichtbenutzung über längere Zeit:

Sie müssen das Gerät vom Stromnetz trennen und anschließend reinigen. Lassen Sie danach die Kühlschranktüren geöffnet, um einer Geruchsbildung vorzubeugen.

Transport:

Nehmen Sie alle Gegenstände vor einem Transport des Kühlschranks heraus und fixieren Sie alle Glasteile, Gemüsehalter, Gefrierfachschubfächer usw. mit Klebeband. Ziehen Sie zudem die Nivellierfüße fest, schließen Sie die Türen und fixieren Sie sie ebenfalls mit Klebeband. Während des Transports darf das Gerät weder kopfüber stehen noch horizontal liegen oder Vibrationen ausgesetzt werden. Die Neigung während des Transports darf 45° nicht überschreiten.

⚠ ACHTUNG

Das Gerät muss nach der Inbetriebnahme ununterbrochen laufen. Grundsätzlich darf der Betrieb des Geräts nicht unterbrochen werden. Durch Missachtung kann die Lebensdauer verkürzt werden.

FEHLERBEHEBUNG

Die nachstehenden einfachen Probleme können durch den/die Benutzer/-in selbst behoben werden. Wenn das Problem anschließend immer noch bestehen sollte, dann setzen Sie sich bitte mit der Kundendienstabteilung in Verbindung.

Problem	Mögliche Ursache
Kein Betrieb	<ul style="list-style-type: none"> Überprüfen Sie, ob das Gerät am Stromnetz angeschlossen ist und der Netzstecker ordnungsgemäß in der Netzsteckdose steckt.
	<ul style="list-style-type: none"> Überprüfen Sie, ob die Netzspannung zu gering ist.
	<ul style="list-style-type: none"> Überprüfen Sie, ob ein Stromausfall vorliegt, ein Schutzscharter ausgelöst wurde oder eine Sicherung durchgebrannt ist.
Gerüche	<ul style="list-style-type: none"> Geruchsintensive Nahrungsmittel müssen gut eingepackt werden.
	<ul style="list-style-type: none"> Überprüfen Sie, ob sich verdorbene Nahrungsmittel im Kühlschrank befinden.
	<ul style="list-style-type: none"> Reinigen Sie den Innenbereich des Kühlschranks
Langes Laufen des Kompressors	<ul style="list-style-type: none"> Ein langes Laufen des Kühlschrankkompressors ist im Sommer dann normal, wenn die Umgebungstemperatur hoch ist.
	<ul style="list-style-type: none"> Es ist nicht empfehlenswert, zu viele Nahrungsmittel gleichzeitig im Kühlschrank aufzubewahren.
	<ul style="list-style-type: none"> Nahrungsmittel müssen ausreichend genug abgekühlt sein, bevor sie in den Kühlschrank gelegt/gestellt werden.
	<ul style="list-style-type: none"> Die Türen werden zu oft geöffnet.
Keine Beleuchtung oder die Beleuchtung erlischt	<ul style="list-style-type: none"> Überprüfen Sie, ob der Kühlschrank am Stromnetz angeschlossen ist und ob ein Defekt des Leuchtmittels vorliegt.
	<ul style="list-style-type: none"> Lassen Sie bei Bedarf das Leuchtmittel durch eine(n) Fachfrau/-mann ersetzen
Die Tür kann nicht ordnungsgemäß geschlossen werden	<ul style="list-style-type: none"> Die Tür wird durch Lebensmittelverpackungen am ordnungsgemäßen Schließen gehindert
	<ul style="list-style-type: none"> Der Kühlschrank ist geneigt.
Laute Geräusche	<ul style="list-style-type: none"> Überprüfen Sie, ob der Kühlschrank nivelliert ist und stabil steht.
	<ul style="list-style-type: none"> Überprüfen Sie, ob sich die Zubehörteile an der vorgesehenen Stelle befinden.

Problem	Mögliche Ursache
Die Türdichtung dichtet nicht vollständig	<ul style="list-style-type: none"> Entfernen Sie Fremdstoffe, die sich auf der Türdichtung befinden.
	<ul style="list-style-type: none"> Erhitzen Sie die Türdichtung und kühlen Sie sie anschließend zur Wiederherstellung ab (blasen Sie sie zum Erhitzen mit einem elektrischen Haartrockner an oder verwenden Sie ein heißes Handtuch)
Die Wasserauffangschale läuft über	<ul style="list-style-type: none"> Im Kühlbereich/Gefrierschubfach werden zu viele Nahrungsmittel aufbewahrt oder die aufbewahrten Nahrungsmittel enthalten zu viel Wasser, was zu einem starken Abtauen führt.
	<ul style="list-style-type: none"> Die Türen sind nicht ordnungsgemäß geschlossen, wodurch es zum Gefrieren der Luft im Eingangsbereich kommt und dadurch die Wassermenge während des Abtauens ansteigt.
Das Gehäuse ist heiß	<ul style="list-style-type: none"> Die Wärmeabführung erfolgt durch den eingebauten Kondensator über das Gehäuse, was normal ist. Wenn das Gehäuse durch hohe Umgebungstemperatur, Lagerung von zu vielen Lebensmitteln oder Abschalten des Kompressors heiß wird, sorgen Sie für eine gute Belüftung, um die Wärmeabführung zu erleichtern
Kondensation an der Oberfläche	<ul style="list-style-type: none"> Kondensationen an der Außenseite des Kühlschranks und an den Kühlschranktürdichtungen sind normal, wenn die Umgebungstemperatur sehr hoch ist. Wischen Sie die Kondensation einfach mit einem sauberen Tuch ab.
Ungewöhnliche Geräusche	<ul style="list-style-type: none"> Summen: Während seines Betriebs kann der Kompressor u. U. summen, wobei dieses Summen vor allem beim Starten und Stoppen sehr laut ist. Das ist normal.
	<ul style="list-style-type: none"> Knarren: Das im Inneren des Kühlschranks fließende Kältemittel kann ein Knarren erzeugen, was normal ist.

ANHANG

Speziell für den neuen EU-Standard

Die Ersatzteile in der folgenden Tabelle sind über den Serviceanbieter erhältlich

Ersatzteil	Bereitgestellt für	Mindestens für die Beschaffung benötigte Zeit
Thermostate	Geschultes Wartungspersonal	Mindestens 7 Jahre nach Markteinführung des letzten Modells
Temperatursensoren	Geschultes Wartungspersonal	Mindestens 7 Jahre nach Markteinführung des letzten Modells
Platinen	Geschultes Wartungspersonal	Mindestens 7 Jahre nach Markteinführung des letzten Modells
lichtquellen	Geschultes Wartungspersonal	Mindestens 7 Jahre nach Markteinführung des letzten Modells
Türgriffe	Fachwerkstätten und Endbenutzer(innen)	Mindestens 7 Jahre nach Markteinführung des letzten Modells
Türscharniere	Fachwerkstätten und Endbenutzer(innen)	Mindestens 7 Jahre nach Markteinführung des letzten Modells
Ablagen	Fachwerkstätten und Endbenutzer(innen)	Mindestens 7 Jahre nach Markteinführung des letzten Modells
Körbe	Fachwerkstätten und Endbenutzer(innen)	Mindestens 7 Jahre nach Markteinführung des letzten Modells
Türdichtungen	Fachwerkstätten und Endbenutzer(innen)	Mindestens 10 Jahre nach Markteinführung des letzten Modells

DE

Sehr geehrte Kundin, sehr geehrter Kunde

1. Wenn Sie das Produkt zurückgeben oder ersetzen möchten, dann setzen Sie sich bitte mit dem Geschäft in Verbindung, in dem Sie das Produkt erworben haben.

(Bringen Sie bitte auch den Kaufbeleg mit)

2. Wenn Ihr Produkt defekt ist und repariert werden muss, dann setzen Sie sich bitte mit dem Kundendienstserviceanbieter in Verbindung.

ACHTUNG

Die Modellinformationen in der Produktdatenbank sowie den Modellidentifikator können Sie über den Weblink durch Scannen des QR-Codes erhalten, wenn das Energieeffizienzschild des Produktes einen QR-Code enthält.

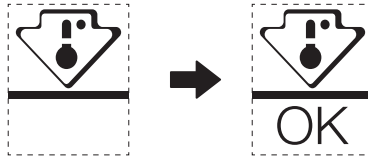
Weitere Informationen über die Energieeffizienz des Geräts finden Sie unter <https://ec.europa.eu>. Suchen Sie dort nach der Modellbezeichnung.

Die Modellbezeichnung finden Sie auf dem Typenschild des Geräts.

Die kälteste Zone im Kühlschrank

OPTIONAL: OK-Temperaturanzeige

- Mit der OK-Temperaturanzeige können Temperaturen unter +4°C ermittelt werden. Reduzieren Sie die Temperatur schrittweise, wenn „OK“ nicht angezeigt wird.



- Ändern Sie die Position der Ablage nicht, um die Temperatur in diesem Bereich sicherzustellen. Bei Kühlschränken mit verbesserter Luftzirkulation (ausgestattet mit einem Gebläse oder frostfreie Modelle) fehlt dieses Symbol, weil bei ihnen die Temperatur im Inneren homogen ist.

Temperaturindikatoreinstellung

- Der Kühlschrank ist mit einem Temperaturindikator ausgestattet, der die Durchschnittstemperatur im kältesten Bereich anzeigt, um Ihnen bei der Einstellung Ihres Kühlschranks zu helfen.
- **WARNUNG:** Dieser Indikator ist auf Ihren Kühlschrank abgestimmt. Benutzen Sie ihn weder in anderen Kühlschränken (weil dort der kälteste Bereich ein anderer ist) noch für andere Zwecke.

Überprüfen der Temperatur im kältesten Bereich

- Mit Hilfe des Temperaturindikators können Sie regelmäßig überprüfen, ob die Temperatur im kältesten Bereich richtig ist. Allerdings hängt die Innentemperatur des Kühlschranks von verschiedenen Faktoren wie beispielsweise der Raumtemperatur, der sich im Kühlschrank befindlichen Menge an Nahrungsmitteln und der Häufigkeit des Türöffnens ab. Ziehen Sie diese Faktoren in Ihre Überlegungen mit ein, wenn Sie das Gerät einstellen.
- Wenn der Indikator «OK» anzeigt, dann bedeutet das, dass der Thermostat ordnungsgemäß eingestellt und die Innentemperatur ordnungsgemäß ist.
- Wenn der Temperaturindikator WEISS wird, dann bedeutet das, dass die Temperatur zu hoch ist. Erhöhen Sie in diesem Fall die Einstellung der Kühlschranktemperaturregelung und warten Sie 12 Stunden, bevor Sie die Temperatur über den Temperaturindikator erneut überprüfen. Wenn Sie frische Nahrungsmittel hineingelegt/-gestellt haben oder die Tür eine Zeitlang geöffnet ist, kann es sein, dass der Temperaturindikator WEISS wird.

LETTERA DI RINGRAZIAMENTO

Grazie per aver scelto Midea! Prima di utilizzare il nuovo prodotto Midea, leggere attentamente il presente manuale per essere certi di saper utilizzare in modo sicuro le caratteristiche e le funzioni offerte dal nuovo apparecchio.

INDICE

LETTERA DI RINGRAZIAMENTO	01
SPECIFICHE	02
PANORAMICA DEL PRODOTTO	03
INSTALLAZIONE DEL PRODOTTO	04
ISTRUZIONI DI FUNZIONAMENTO	11
PULIZIA E MANUTENZIONE	15
RISOLUZIONE DEI PROBLEMI	17
APPENDICE	19

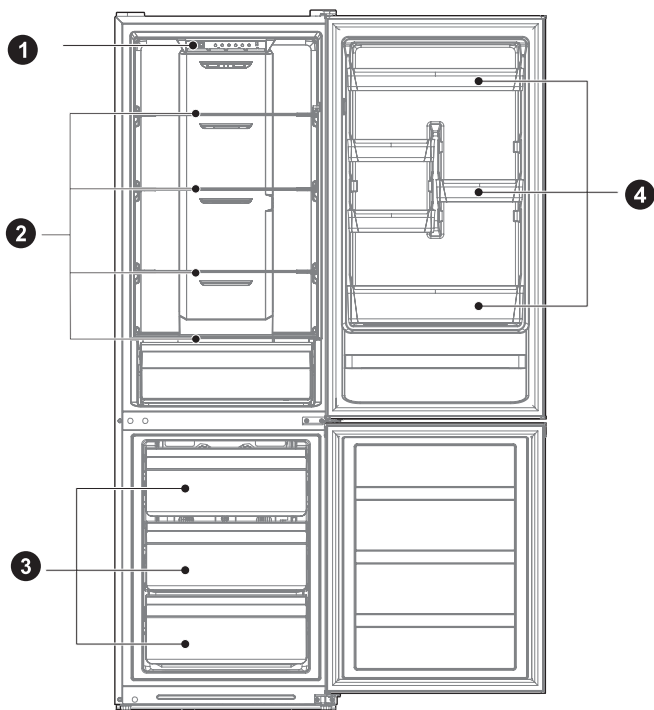
SPECIFICHE

Modello del prodotto	MDRB424FGE
Volume dello scomparto di conservazione degli alimenti freschi	224 L
Volume di conservazione degli alimenti congelati	86 L
Tipo di sbrinamento	Sbrinamento automatico
Tempo di incremento temperatura	8 ore
Capacità di congelamento	3,9 Kg/24 ore
Tensione/frequenza nominale	220-240V~/50Hz
Corrente nominale	0,8 A
Dimensioni complessive (A × L × P)	1880X595x630 mm

IT

PANORAMICA DEL PRODOTTO

Nomi dei componenti



1 Luce LED

2 Ripiano

3 Cassetto

4 Ripiano dello sportello

ATTENZIONE

La figura sopra riportata viene fornita solo a scopo indicativo. La configurazione effettiva dipende dalle caratteristiche fisiche del prodotto e dalle indicazioni del distributore.

IT

INSTALLAZIONE DEL PRODOTTO

Istruzioni di installazione

Apparecchi di refrigerazione con classe climatica

- A seconda della classe climatica, gli apparecchi di refrigerazione sono pensati per essere utilizzati alle temperature ambiente indicate nella tabella sottostante.
- La classe climatica è riportata sulla targhetta di identificazione del prodotto. Il prodotto potrebbe non funzionare correttamente a temperature che non rientrano nell'intervallo specificato.
- È possibile trovare la classe climatica sull'etichetta del prodotto.

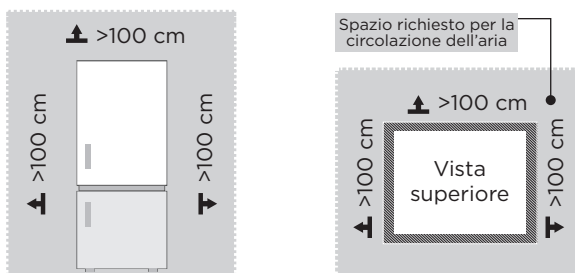
Intervallo di temperatura effettiva

- L'apparecchio è pensato per funzionare normalmente entro l'intervallo di temperatura specificato a seconda della classe climatica.

Classe	Simbolo	Intervallo di temperatura ambiente °C	
		IEC 62552 (ISO 15502)	ISO 8561
Area temperata estesa	SN	da + 10 a + 32	da + 10 a + 32
Area temperata	N	da + 16 a + 32	da + 16 a + 32
Area Subtropicale	ST	da + 16 a + 38	da + 18 a + 38
Area Tropicale	T	da + 16 a + 43	da + 18 a + 43

Dimensioni e spazi

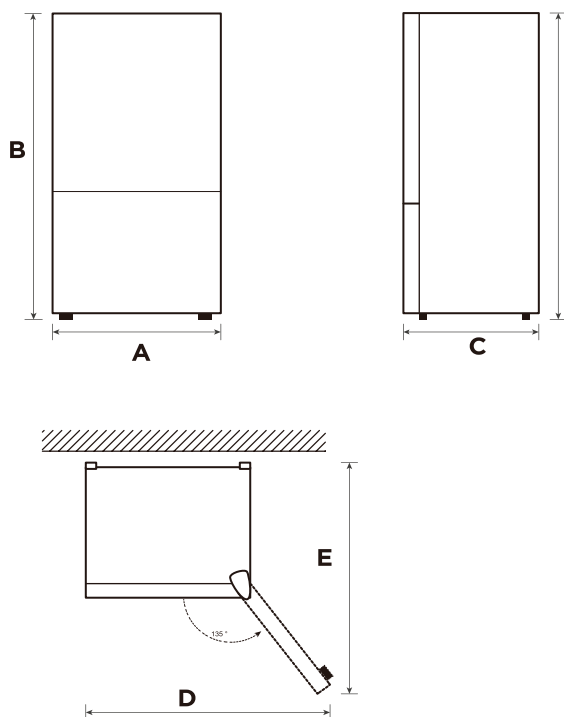
- Una distanza eccessivamente esigua dagli elementi adiacenti può comportare una riduzione della capacità di congelamento e un aumento dei costi dell'elettricità. Durante l'installazione dell'apparecchio, lasciare una distanza di oltre 100 mm da ogni parete adiacente.



ATTENZIONE

La figura sopra riportata viene fornita solo a scopo indicativo. La configurazione effettiva dipende dalle caratteristiche fisiche del prodotto e dalle indicazioni del distributore.

Disegno sui requisiti di spazio (quando lo sportello è aperto e quando è chiuso)



IT

Larghezza	Altezza complessiva	Profondità	Larghezza sportelli aperti a 135°	Profondità sportelli aperti a 135°
A	B	C	D	E
595	1880	630	988	1074

Nota: Tutte le dimensioni in mm

Cambio dello sportello a sinistra o a destra (opzionale)

In base alla posizione in cui si intende utilizzare il frigorifero, potrebbe essere più comodo invertire la posizione dello sportello.

PRECAUZIONI

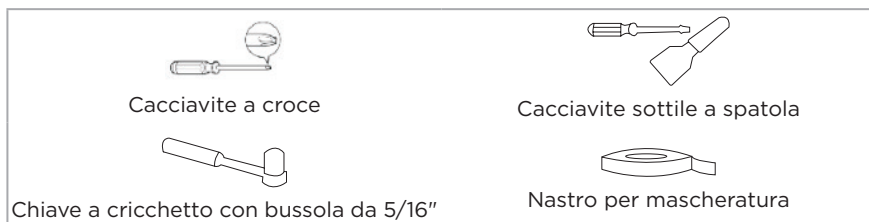
PRECAUZIONI: per evitare lesioni personali o alle cose, si consiglia di farsi assistere da qualcuno durante l'inversione dello sportello.

Preparazione per l'inversione della posizione dello sportello

A tal fine sarà necessario: un cacciavite standard, un cacciavite a croce e la chiave a brugola in dotazione.

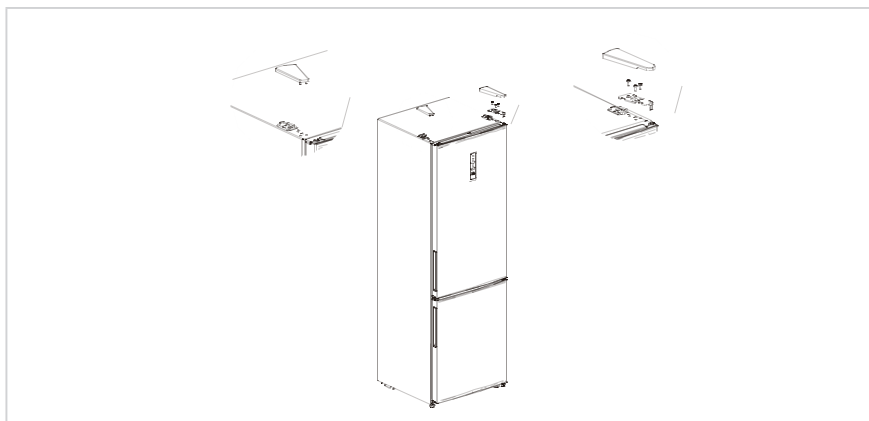
- Assicurarsi che il frigorifero sia scollegato e vuoto.
- Farsi assistere da un'altra persona per compiere l'operazione.
- Conservare tutte le parti rimosse per riutilizzarle in seguito.

Utensili necessari per cambiare lo sportello:

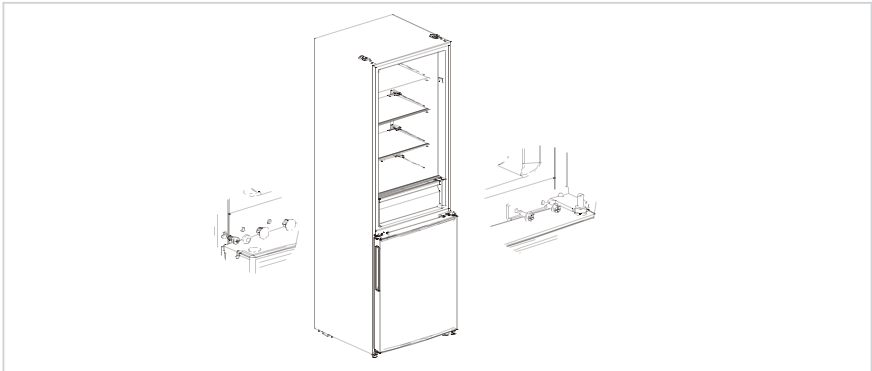


Procedura

1. Spegner il frigorifero e rimuovere tutti gli oggetti dai vassoi della porta.
2. Rimuovere la copertura della cerniera superiore, scollegare i cavi di segnale, rimuovere la cerniera superiore e il tappo dei fori sull'altro lato e smontare lo sportello del frigorifero.

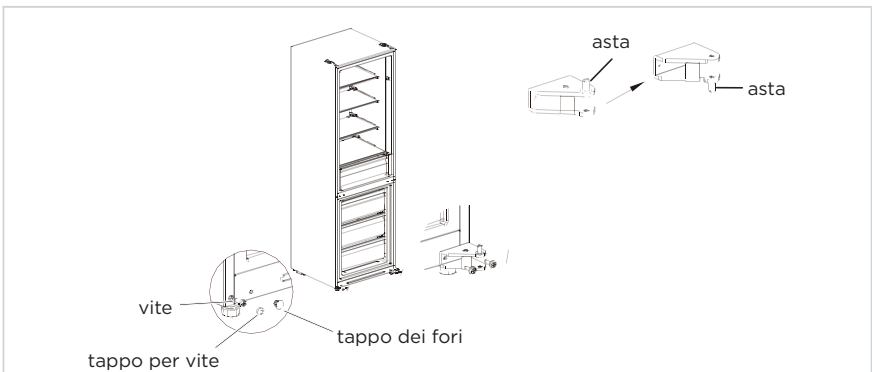


3. Rimuovere la cerniera centrale, le viti, il tappo dei fori per viti, quindi smontare lo sportello del congelatore.

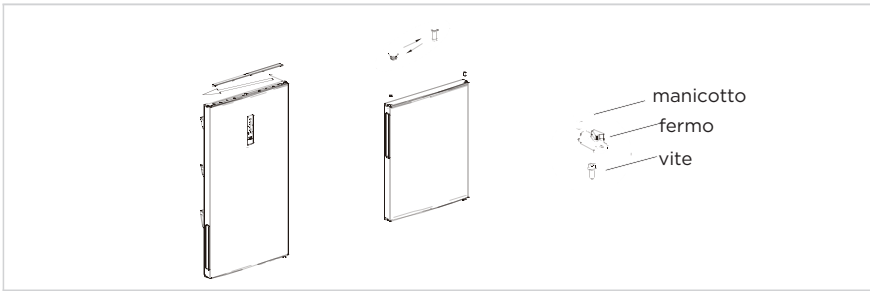


IT

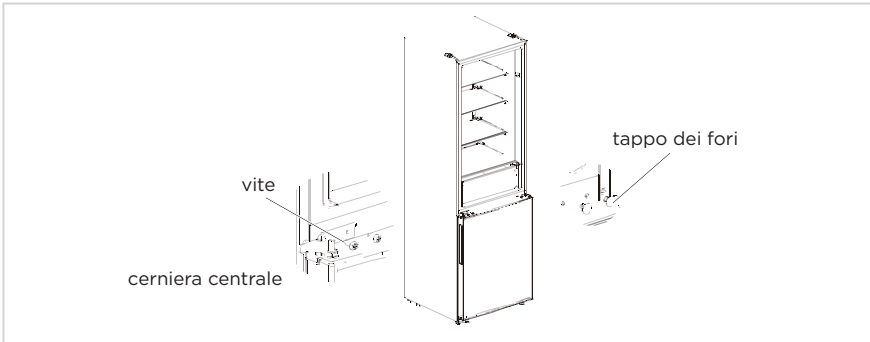
4. Rimuovere la cerniera inferiore, i tappi dei fori e le viti, installare l'asta della cerniera inferiore e sull'altro lato, quindi montare la cerniera sull'altro lato.



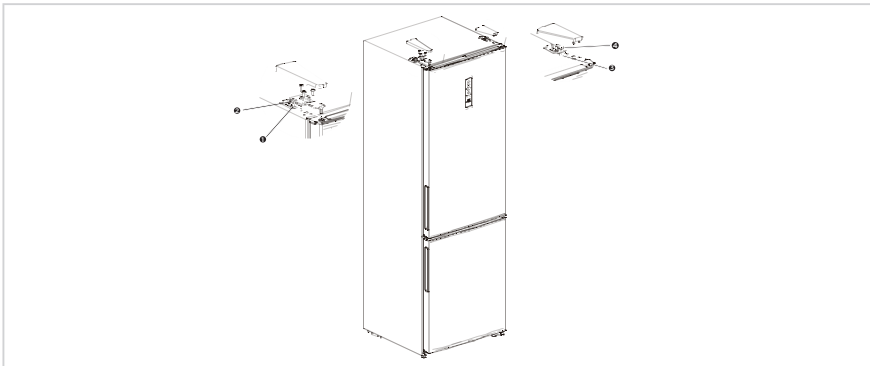
5. Smontare le viti, il manicotto e il fermo sul coperchio inferiore dei due sportelli e, successivamente, installarli sull'altro lato degli sportelli (il fermo deve essere sostituito con l'altro fermo contenuto nel sacchetto degli accessori). Quindi, rimuovere il coperchio superiore dello sportello del refrigeratore e fare passare i fili con un manicotto sull'altro lato dello sportello. Infine, installare il manicotto della cerniera superiore dello sportello del refrigeratore nel foro sul lato opposto del coperchio superiore dello sportello del refrigeratore.



6. Inserire lo sportello del congelatore sulla cerniera inferiore, installare la cerniera centrale, le viti e i tappi dei fori per viti.



7. Posizionare lo sportello del vano frigorifero sulla cerniera centrale, quindi installare la cerniera superiore sull'altro lato del mobile, infine collegare i terminali 1 e 2 per i cavi di segnale sul lato della cerniera superiore e i terminali 3 e 4 sull'altro lato e coprire il coperchio della cerniera e il coperchio del foro.



● ATTENZIONE

La figura sopra riportata viene fornita solo a scopo indicativo. La configurazione effettiva dipende dalle caratteristiche fisiche del prodotto e dalle indicazioni del distributore.

Collocazione

- Prima dell'utilizzo, rimuovere tutti i materiali di imballaggio, le imbottiture della base e quelle in gommapiuma, oltre ai nastri adesivi all'interno del frigorifero; inoltre rimuovere le pellicole protettive sulle porte e il corpo del frigorifero.
- Tenere il prodotto lontano da fonti di calore ed evitare l'esposizione diretta alla luce solare. Non collocare il frigorifero in ambienti umidi per prevenire la formazione di ruggine e la riduzione dell'effetto isolante.
- Non spruzzare con liquidi né bagnare il frigo; non collocare il frigorifero in ambienti umidi per non comprometterne le capacità di isolamento elettrico.
- Collocare il frigorifero al chiuso in un ambiente ben ventilato, poggiandolo su un terreno piano e robusto (ruotare le rotelle a sinistra o a destra per regolarne il livellamento in caso di instabilità).



Piedini di livellamento

Per evitare vibrazioni, l'unità deve trovarsi in piano.

Se necessario, regolare le viti di livellamento per compensare le irregolarità del pavimento.

La parte anteriore deve essere leggermente più alta rispetto a quella posteriore per facilitare la chiusura dello sportello,

Le viti di livellamento possono essere girate facilmente ribaltando leggermente il mobile.

Girare le viti di livellamento in senso antiorario  per sollevare l'unità, in senso orario  per abbassarla.

Spostamento dell'apparecchio

1. Rimuovere tutti gli alimenti che si trovano all'interno dell'apparecchio.
2. Scollegare la spina di alimentazione, inserirla e fissarla nell'apposito gancio posto sul retro o sulla parte superiore dell'apparecchio.
3. Avvolgere con nastro adesivo parti come i ripiani e la maniglia dello sportello per evitare che cadano durante lo spostamento dell'apparecchio.
4. Spostare con cautela l'apparecchio insieme a più di due persone. In caso di trasporto dell'apparecchio per lunghi tratti, tenere l'apparecchio in posizione verticale.
5. Dopo aver installato l'apparecchio, collegare la spina a una presa di corrente per accenderlo.

ATTENZIONE

Precauzioni prima dell'utilizzo:

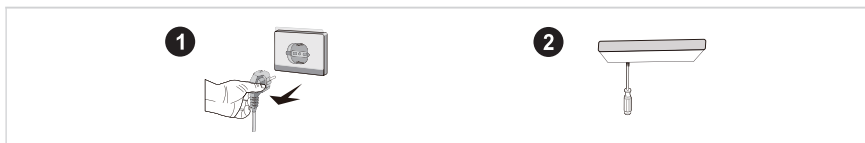
Prima di apportare eventuali modifiche, il frigorifero deve essere scollegato dall'alimentazione, inoltre è necessario prendere le dovute precauzioni per evitare lesioni personali.

Sostituzione della luce

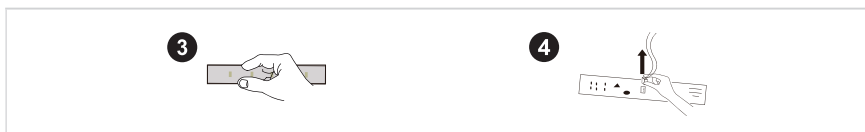
- Tutte le operazioni di sostituzione e manutenzione delle lampadine LED devono essere eseguite dal produttore, dal tecnico di assistenza autorizzato o da personale altrettanto qualificato. Questo prodotto contiene una sorgente luminosa con classe di efficienza energetica <F>.

Procedura

1. Staccare la spina prima di procedere con la rimozione.
2. Rimuovere il coprilampada con un cacciavite



3. Togliere il pannello della lampada.
4. Rimuovere il morsetto di collegamento.



Collegamento dell'apparecchio

Al primo utilizzo, attendere mezz'ora prima di collegare il frigorifero all'alimentazione.

● ATTENZIONE

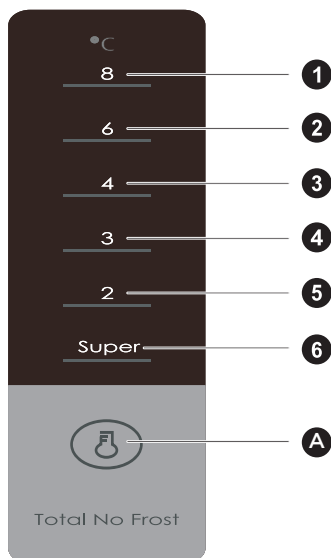
Prima di conservare vivande fresche o congelate nel frigorifero, esso deve essere stato in funzione almeno 2 o 3 ore, ovvero oltre 4 ore in estate, quando la temperatura ambientale è molto alta.

Suggerimenti per il risparmio energetico

- L'elettrodomestico deve essere collocato nell'area meglio ventilata della stanza, lontano dal calore di altre apparecchiature, da fonti di calore e dalla luce solare diretta.
- Far raffreddare i cibi caldi a temperatura ambiente prima di collocarli nel frigorifero. Un sovraccarico dell'apparecchio richiede un maggiore sforzo del compressore. I cibi che congelano troppo lentamente possono perdere qualità e andare a male.
- Avvolgere le vivande in adeguati contenitori protettivi e asciugarli prima di metterli in frigo. Ciò riduce la formazione di brina all'interno dell'apparecchio.
- I vani di conservazione del frigorifero non devono essere foderati con fogli di alluminio, carta oleata o tovaglioli di carta. Questi materiali possono interferire con la circolazione dell'aria fredda, riducendo l'efficienza dell'apparecchio.
- Sistemare in modo ordinato gli alimenti utilizzando apposite etichette, per evitare ricerche prolungate che costringano a tenere lo sportello aperto troppo a lungo. Estrarre in una sola volta tutti gli alimenti desiderati e richiudere immediatamente lo sportello.

ISTRUZIONI DI FUNZIONAMENTO

Pannello comandi



IT

● ATTENZIONE

La figura sopra riportata viene fornita solo a scopo indicativo. La configurazione effettiva dipende dalle caratteristiche fisiche del prodotto e dalle indicazioni del distributore.

Tasti

A	Pulsante di impostazione della temperatura
---	--

Schermo del display

1	impostazione temperatura 1
2	impostazione temperatura 2
3	impostazione temperatura 3
4	impostazione temperatura 4
5	impostazione temperatura 5
6	impostazione temperatura 6

Display

All'accensione del frigorifero, lo schermo del display (compresa la luce dei tasti) si illumina completamente per 3 secondi, dopodiché il frigorifero inizierà a funzionare secondo l'impostazione della temperatura 3.

Visualizzazione delle condizioni di funzionamento

In caso di guasto, la spia LED corrispondente visualizzerà il codice del guasto (nel display di riciclo);

In assenza di guasti, la spia LED visualizza l'impostazione di temperatura esistente.

ATTENZIONE

Il pannello di controllo effettivo può variare da un modello all'altro.

Istruzioni di funzionamento

Impostazione del livello

- L'impostazione della temperatura verrà modificata ogni volta che viene premuto il tasto SET. Dopo 15 secondi, il frigorifero funzionerà secondo il nuovo valore di impostazione.

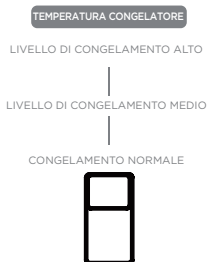
Impostazione 1 → Impostazione 2 → Impostazione 3 → Impostazione 4 → Impostazione 5 → Impostazione 6 → Impostazione 1 →

Modalità di raffreddamento rapido:

- Accedere all'impostazione della modalità: Modalità di raffreddamento rapido a modulazione circolatoria.
- Funzionamento: l'indicatore di raffreddamento rapido si accende e il frigorifero funziona a 2 °C.
- Modalità di raffreddamento rapido disabilitata automaticamente per 24 ore.
- La funzione di raffreddamento rapido può essere utilizzata come funzione di congelazione.

Regolazione della manopola della valvola dell'aria manuale

- Se si solleva il regolatore della valvola dell'aria, la temperatura effettiva all'interno del vano congelatore diminuisce; se si abbassa il regolatore della valvola dell'aria, la temperatura effettiva all'interno del vano congelatore aumenta.



Codice errore

- I seguenti avvisi appaiono sul display per indicare le corrispondenti situazioni di guasto del frigorifero. Anche se il frigorifero può continuare a refrigerare e conservare le vivande fredde pur in presenza di tali condizioni di errore, l'utente dovrà tempestivamente contattare gli addetti alla manutenzione per segnalare il problema e consentire il ritorno al normale funzionamento.

Codice di guasto	Descrizione del guasto
Il LED 1 e il LED 2 sono accesi	Circuito del sensore di temperatura del frigorifero
Il LED 1 e il LED 3 sono accesi	Sensore di sbrinamento del congelatore
Il LED 1 e il LED 4 sono accesi	Sensore della temperatura ambiente

ATTENZIONE

Nota: La funzione di congelamento veloce è pensata per preservare il valore nutritivo del cibo nel congelatore. Consente di congelare gli alimenti in brevissimo tempo. Se una grande quantità di cibo viene congelata in una sola volta, si consiglia di attivare la funzione di congelamento veloce e inserire il cibo nell'apparecchio. In questo modo, la velocità di congelamento del vano congelatore aumenta, consentendo di congelare rapidamente il cibo e facilitarne la conservazione, preservando efficacemente le sostanze nutritive.

Vano frigorifero

- La camera di refrigerazione è adatta per la conservazione di una varietà di frutta, verdura, bevande e altri alimenti consumati a breve termine, tempo di conservazione suggerito da 3 a 5 giorni.
- I cibi cotti non devono essere sistemati nel vano refrigerante senza prima averli fatti raffreddare a temperatura ambiente.
- Si suggerisce di chiudere ermeticamente le vivande prima di sistemarle in frigo.
- I ripiani in vetro possono essere sistemati in alto o in basso secondo quanto necessario per ottimizzare lo spazio di conservazione e migliorare l'utilizzo dell'apparecchio.

Vano congelatore

- Il vano congelatore a bassa temperatura può essere utilizzato per conservare cibi freschi per periodi prolungati, ma è usato soprattutto per la conservazione di cibi congelati e per creare cubetti di ghiaccio.
- Il vano congelatore è adatto alla conservazione di carne, pesce, arancini e altre vivande che non devono essere consumate a breve termine.
- I blocchi di carne di grandi dimensioni devono essere suddivisi in pezzi più piccoli per un congelamento rapido e una facile disposizione. Le vivande devono essere consumate entro la data di scadenza.

ATTENZIONE

Nota: La conservazione di una quantità eccessiva di alimenti subito dopo avere collegato per la prima volta l'apparecchio all'alimentazione potrebbe compromettere la funzione di congelamento del frigorifero.

Ordine	TIPOLOGIA scomparto	Temp. di conservazione nominale [°C]	Alimenti adatti
1	Frigorifero	+2 - +8	Uova, cibi cotti, cibi confezionati, frutta e verdura, latticini, dolci, bevande e altri alimenti non sono adatti alla congelazione.
2	(***)*-Congelatore	≤-18	Frutti di mare (pesci, gamberetti, crostacei), prodotti ittici d'acqua dolce e prodotti a base di carne (conservazione raccomandata per 3 mesi: più lungo è il tempo di conservazione, peggiori saranno il gusto e le proprietà nutrizionali) sono alimenti freschi adatti ad essere congelati.
3	***-Congelatore	≤-18	Frutti di mare (pesci, gamberetti, crostacei), prodotti ittici d'acqua dolce e prodotti a base di carne (conservazione raccomandata per 3 mesi: più lungo è il tempo di conservazione, peggiori saranno il gusto e le proprietà nutrizionali) sono alimenti freschi adatti ad essere congelati.
4	**-Congelatore	≤-12	Frutti di mare (pesci, gamberetti, crostacei), prodotti ittici d'acqua dolce e prodotti a base di carne (conservazione raccomandata per 3 mesi: più lungo è il tempo di conservazione, peggiori saranno il gusto e le proprietà nutrizionali) sono alimenti freschi adatti ad essere congelati.
5	*-Congelatore	≤-6	Frutti di mare (pesci, gamberetti, crostacei), prodotti ittici d'acqua dolce e prodotti a base di carne (conservazione raccomandata per 3 mesi: più lungo è il tempo di conservazione, peggiori saranno il gusto e le proprietà nutrizionali) sono alimenti freschi adatti ad essere congelati.
6	0 stelle	-6 - 0	Carne fresca di maiale, manzo, pesce, pollo, alcuni cibi trattati e confezionati, ecc. (si consiglia di consumare questi alimenti lo stesso giorno o al massimo entro 3 giorni). Alimenti parzialmente trasformati e incapsulati (alimenti non congelabili).
7	Conservazione a breve termine	-2 - +3	Carne di maiale fresca/congelata, manzo, pollo, prodotti ittici d'acqua dolce, ecc. (7 giorni sotto 0 °C e sopra 0 °C si consiglia di consumarli entro lo stesso giorno, preferibilmente entro non più di 2 giorni). Prodotti ittici (meno di 0 per 15 giorni, si sconsiglia di conservarli sopra 0 °C).
8	Alimenti freschi	0 - +4	Carne fresca di maiale, manzo, pesce, pollo, cibi cotti, ecc. (si consiglia di consumare questi alimenti lo stesso giorno o al massimo entro 3 giorni).
9	Vino	+5 - +20	Vino rosso, vino bianco, spumante, ecc.

● ATTENZIONE

conservare gli alimenti in base agli scomparti o alla temperatura di conservazione desiderata.

PULIZIA E MANUTENZIONE

Pulizia complessiva

- La polvere dietro al frigorifero e sul pavimento deve essere regolarmente rimossa per migliorare il funzionamento e risparmiare energia.
- Controllare periodicamente l'accumulo di detriti sulla guarnizione della porta. Pulire la guarnizione dello sportello con un panno morbido imbevuto con acqua e sapone o con un detergente diluito.
- L'interno del frigorifero va pulito regolarmente per evitare la formazione di cattivi odori.
- Prima di procedere alla pulizia degli interni, scollegare l'alimentazione, rimuovere tutti i cibi e le bevande, oltre a scaffali, cassetti ecc.
- Pulire l'interno del frigorifero con un panno morbido o una spugna, imbevuti in una soluzione di 1 L di acqua tiepida con due cucchiaini di bicarbonato di sodio. Successivamente, risciacquare con acqua e asciugare accuratamente. Dopo la pulizia, lasciare aperto lo sportello e lasciare asciugare all'aria prima di ricollegare l'alimentazione elettrica.
- La pulizia di aree del frigo che sono difficili da raggiungere (quali angoli e aperture strette) va effettuata regolarmente servendosi di uno straccio o un pennello morbido. Se necessario, servirsi di strumenti aggiuntivi di pulizia (ad es., bastoncini) per evitare l'accumulo di sporco e residui contaminanti in tali punti.
- Non usare saponi, detersivi, polveri abrasive, detersivi spray e simili, che potrebbero causare l'accumulo di cattivi odori e anche la contaminazione delle vivande all'interno del frigorifero.
- Pulire il ripiano delle bottiglie, scaffali e cassetti con un panno morbido imbevuto con acqua e sapone o un detergente diluito. Asciugare con un panno morbido o lasciare asciugare all'aria.
- Pulire la superficie esterna del frigorifero con un panno morbido imbevuto con acqua e sapone, un detergente, o prodotti simili, quindi asciugare.
- Non usare spazzole rigide o metalliche, strumenti di pulizia in acciaio, sostanze abrasive (ad es. dentifrici), solventi organici (quali alcol, acetone, acetato di isoamile, ecc.), acqua bollente, sostanze acide o alcaline, che potrebbero danneggiare la superficie e l'interno del frigo. L'acqua bollente e i solventi organici, come il benzene, potrebbero deformare o danneggiare le parti in plastica.
- Durante le operazioni di pulizia, non lavare direttamente con acqua o altri liquidi per evitare il rischio di corto circuito e non compromettere l'isolamento elettrico dell'elettrodomestico.

ATTENZIONE

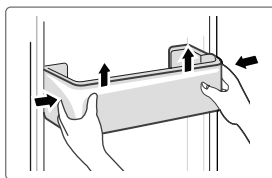
Scollegare il frigorifero dall'alimentazione elettrica prima di procedere a sbrinamento e pulizia.

Sbrinamento

- Il frigorifero funziona in base al principio di raffreddamento ad aria ed è dotato della funzione di sbrinamento automatico. Il ghiaccio che si forma a causa di variazioni stagionali di temperatura può essere rimosso anche manualmente, scollegando l'apparecchio dall'alimentazione elettrica o utilizzando un panno asciutto.

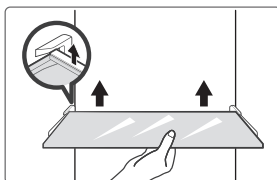
Pulizia del balconcino della porta

- Seguendo la freccia direzionale indicata nella figura seguente, afferrare il vassoio con entrambe le mani e spingerlo verso l'alto per poi estrarlo.
- Dopo avere lavato il vassoio precedentemente rimosso, è possibile regolare l'altezza di installazione secondo le proprie esigenze.



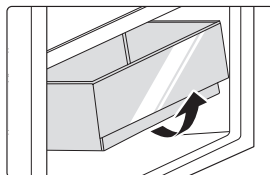
Pulizia dei ripiani in vetro

- Poiché la parte interna del frigo viene a contatto con i ripiani e funge da arresto, è possibile sollevare i ripiani per estrarli.
- Pulire e sistemare i ripiani come richiesto.



Pulizia del cassetto delle verdure

1. Rimuovere i contenuti del cassetto. Afferrare la maniglia del cassetto delle verdure ed estrarlo completamente fino all'arresto.
2. Sollevare il cassetto delle verdure e rimuoverlo estraendolo completamente.



Guasti di funzionamento

Interruzione di corrente:

In caso di interruzioni di corrente, il frigorifero è in grado di conservare le vivande contenute al suo interno per diverse ore, anche in estate. Durante l'interruzione di corrente, ridurre le aperture del frigo ed evitare di inserirvi nuove vivande fresche.

Periodi prolungati di mancato utilizzo:

In tal caso il frigorifero deve essere scollegato dall'alimentazione elettrica, lasciare la porta aperta per evitare la formazione di cattivi odori al suo interno.

Spostamenti:

Prima di spostare il frigorifero, svuotarlo completamente, fissare con del nastro adesivo le divisioni in vetro, il contenitore delle verdure, il vano congelatore, i cassetti ecc. Inoltre stringere i piedini di livellamento, chiudere le porte e fissarle con del nastro adesivo. Durante lo spostamento, non capovolgere il frigorifero, né muoverlo orizzontalmente, evitando di sottoporlo a urti e vibrazioni.

L'inclinazione durante il trasporto non deve superare i 45°.

● ATTENZIONE

Una volta avviato, l'apparecchio deve funzionare ininterrottamente. In generale, l'utilizzo del frigorifero non deve essere interrotto, per evitare di comprometterne il corretto funzionamento.

RISOLUZIONE DEI PROBLEMI

I seguenti problemi semplici possono essere risolti dall'utente. Contattare il servizio di assistenza post-vendita se non è possibile risolvere questi problemi.

Problema	Possibile causa
Mancato funzionamento	• Controllare che l'elettrodomestico sia collegato all'alimentazione elettrica e che la spina sia ben inserita nella presa.
	• Verificare che la tensione non sia troppo bassa.
	• Verificare che non ci siano interruzioni di corrente o cortocircuiti anche parziali
Cattivi odori	• Le vivande che emanano forte odore devono essere accuratamente protette
	• Controllare che non ci siano alimenti andati a male.
	• Pulire l'interno del frigorifero
Usura del compressore per funzionamento prolungato	• Un utilizzo prolungato del compressore è normale in estate quando la temperatura ambientale è più elevata.
	• Si suggerisce in ogni caso di non sovraccaricare mai con troppe vivande il frigorifero
	• Le vivande calde devono essere fatte raffreddare prima di essere messe in frigo
	• Gli sportelli vengono aperti troppo di frequente
La luce non si accende	• Controllare che il frigorifero sia collegato correttamente all'alimentazione e che la lampadina non sia danneggiata.
	• La luce deve essere sostituita da un tecnico esperto
Lo sportello non si chiude correttamente	• È possibile che lo sportello sia ostruito da confezioni di cibo.
	• Il frigorifero è inclinato.
Rumori forti	• Controllare che il pavimento sia livellato e che il frigorifero vi sia poggiato in modo stabile
	• Controllare che gli accessori siano posizionati correttamente.

Problema	Possibile causa
La guarnizione dello sportello non garantisce una chiusura ermetica	<ul style="list-style-type: none"> • Rimuovere corpi estranei dalla guarnizione della porta. • Riscaldare e raffreddare la guarnizione della porta per ripristinarla (oppure servirsi di un asciugatore elettrico o di una tovaglia bollente per riscaldarla)
Fuoriuscita dell'acqua dalla vaschetta di raccolta	<ul style="list-style-type: none"> • C'è troppo cibo nel vano refrigerante oppure le vivande conservate contengono troppa acqua, che causa un eccessivo sbrinamento. • Gli sportelli non si chiudono correttamente, causando la formazione di ghiaccio a causa dell'ingresso di aria e un aumento dell'acqua di sbrinamento.
L'involucro esterno dell'apparecchio è caldo	<ul style="list-style-type: none"> • La dissipazione di calore del condensatore integrato avviene normalmente tramite l'alloggiamento del frigo. Se l'alloggiamento diventa troppo caldo a causa dell'elevata temperatura ambientale o per la conservazione di troppe vivande, si suggerisce di garantire un'adeguata ventilazione per facilitare la dissipazione del calore
Condensa sulla superficie	<ul style="list-style-type: none"> • La formazione di condensa sulla superficie esterna e sulle guarnizioni degli sportelli del frigorifero è normale quando l'umidità dell'ambiente è elevata. È sufficiente asciugare la condensa con un panno pulito.
Rumori anomali	<ul style="list-style-type: none"> • Ronzio: il compressore può produrre dei ronzii, in particolare in fase di accensione e spegnimento. Ciò è perfettamente normale. • Cigolii: Il flusso del refrigerante all'interno dell'elettrodomestico può produrre cigolii, il che è normale.

APPENDICE

Disposizioni speciali dei nuovi standard europei

I pezzi di ricambio indicati nella tabella che segue possono essere acquistati tramite il servizio di assistenza

Parte da ordinare	Fornita da	Tempo minimo di messa a disposizione
Termostati	Personale di manutenzione professionale	Almeno 7 anni dopo il lancio sul mercato dell'ultimo modello
Sensori di temperatura	Personale di manutenzione professionale	Almeno 7 anni dopo il lancio sul mercato dell'ultimo modello
Circuiti stampati	Personale di manutenzione professionale	Almeno 7 anni dopo il lancio sul mercato dell'ultimo modello
Sorgente luminosa	Personale di manutenzione professionale	Almeno 7 anni dopo il lancio sul mercato dell'ultimo modello
Maniglie degli sportelli	Riparatori professionisti e utenti finali	Almeno 7 anni dopo il lancio sul mercato dell'ultimo modello
Cerniere dello sportello	Riparatori professionisti e utenti finali	Almeno 7 anni dopo il lancio sul mercato dell'ultimo modello
Vassoi	Riparatori professionisti e utenti finali	Almeno 7 anni dopo il lancio sul mercato dell'ultimo modello
Cestelli	Riparatori professionisti e utenti finali	Almeno 7 anni dopo il lancio sul mercato dell'ultimo modello
Guarnizioni dello sportello	Riparatori professionisti e utenti finali	Almeno 10 anni dopo il lancio sul mercato dell'ultimo modello

Gentile cliente

1. Per restituire o sostituire il prodotto, rivolgersi al punto vendita presso cui è stato acquistato.

(Ricordarsi di portare la ricevuta dell'acquisto)

2. In caso il prodotto necessiti di riparazione, occorre contattare il centro di assistenza post-vendita.

ATTENZIONE

Le informazioni sul modello contenute nel database e l'identificativo del modello possono essere ottenuti attraverso un link ed eseguendo la scansione del codice QR, se presente, riportato sull'etichetta energetica del prodotto.

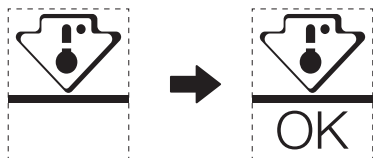
Per ulteriori informazioni sull'efficienza energetica dell'apparecchio, visitare il sito <https://ec.europa.eu> e cercare il nome del modello.

Il nome del modello è riportato sull'etichetta dati dell'apparecchio.

Zona più fredda del frigorifero

OPZIONALE: indicatore temperatura OK

- L'indicatore temperatura OK può essere utilizzato per determinare le temperature inferiori a +4 °C. Ridurre gradualmente la temperatura qualora l'indicatore non indichi "OK".



- Per mantenere la temperatura di quest'area, non cambiare la posizione dello scaffale. Nei frigoriferi ad aria compressa (dotati di ventola o nei modelli No Frost), il simbolo della zona più fredda è assente, perché la temperatura interna è omogenea.

Impostazione della temperatura

- Per configurare al meglio il frigorifero, esso è dotato di un indicatore di temperatura che controlla la temperatura media nella zona più fredda.
- **AVVERTENZA:** Questo indicatore funziona solo in questo modello, non tentare di usarlo in altri frigoriferi (nei quali la zona più fredda è diversa), né per nessun altro scopo.

Controllo della temperatura nella zona più fredda

- L'indicatore di temperatura permette di controllare con regolarità la corretta temperatura della zona più fredda. In realtà, la temperatura interna del frigo dipende da vari fattori, quali la temperatura ambientale esterna, la quantità di cibo conservata e la frequenza di apertura della porta. Tenere conto di questi fattori per configurare il dispositivo.
- Quando l'indicatore mostra «OK», il termostato è ben regolato e la temperatura interna è corretta.
- Se l'indicatore di temperatura diventa BIANCO, vuol dire che la temperatura è troppo alta; in tal caso, incrementare l'impostazione del controllo di temperatura del frigo e attendere 12 ore prima di controllare di nuovo l'indicatore. Dopo aver inserito cibo fresco in frigo o dopo l'apertura della porta, è possibile che l'indicatore di temperatura diventi BIANCO dopo un po' di tempo.

LETTRE DE REMERCIEMENT

Nous vous remercions d'avoir choisi Midea ! Avant d'utiliser votre nouveau produit Midea, veuillez lire attentivement ce manuel afin de vous assurer que vous maîtrisez les caractéristiques et les fonctions de votre nouvel appareil en toute sécurité.

SOMMAIRE

LETTRE DE REMERCIEMENT	01
CARACTÉRISTIQUES.....	02
PRÉSENTATION DU PRODUIT	03
INSTALLATION DU PRODUIT	04
MODE D'EMPLOI.....	11
NETTOYAGE ET ENTRETIEN.....	15
DÉPANNAGE.....	17
ANNEXE.....	19

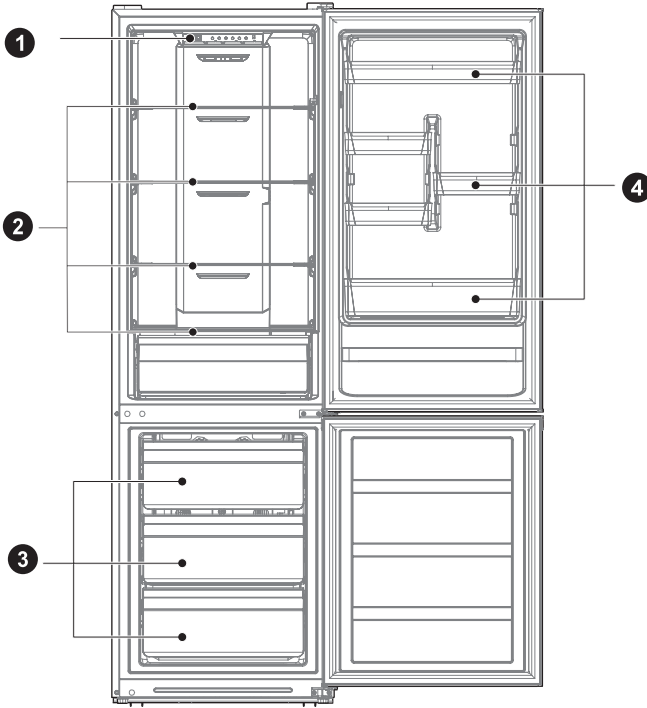
CARACTÉRISTIQUES

Modèle du produit	MDRB424FGE
Volume du compartiment de stockage des aliments frais	224L
Volume de stockage des aliments congelés	86L
Type de dégivrage	Décongélation automatique
Temps de montée en température	8h
Capacité de congélation	3,9kg/24h
Tension/Fréquence nominale	220-240V~/50Hz
Courant nominal	0,8A
Dimension globale (H × L × P)	1880x595x630mm

FR

PRÉSENTATION DU PRODUIT

Noms des composants



1 Lumière LED

2 Étagère

3 Tiroir

4 Plateau de porte

ATTENTION

L'image ci-dessus est donnée uniquement à titre de référence. La configuration réelle dépend du produit physique ou de la notice du distributeur

FR

INSTALLATION DU PRODUIT

Instructions d'installation

Pour les appareils frigorifiques de classe climatique

- En fonction de la classe climatique, cet appareil de réfrigération est destiné à être utilisé dans les plages de température ambiante indiquées dans le tableau suivant.
- La classe climatique se trouve sur la plaque signalétique. Le produit peut ne pas fonctionner correctement à des températures hors de la plage indiquée.
- Vous pouvez trouver la classe climatique sur l'étiquette du produit.

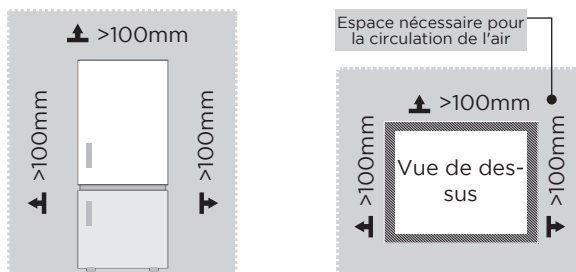
Plage de température efficace

- Ce produit est conçu pour fonctionner normalement dans la plage de température indiquée par sa qualification de classe.

Classe	Symbole	Plage de température de fonctionnement en °C	
		IEC 62552 (ISO 15502)	ISO 8561
Tempéré étendu	SN	+10 à +32	+10 à +32
Tempéré	N	+16 à +32	+16 à +32
Subtropical	ST	+16 à +38	+ 18 à + 38
Tropical	T	+16 à +43	+ 18 à + 43

Dimensions et dégagements

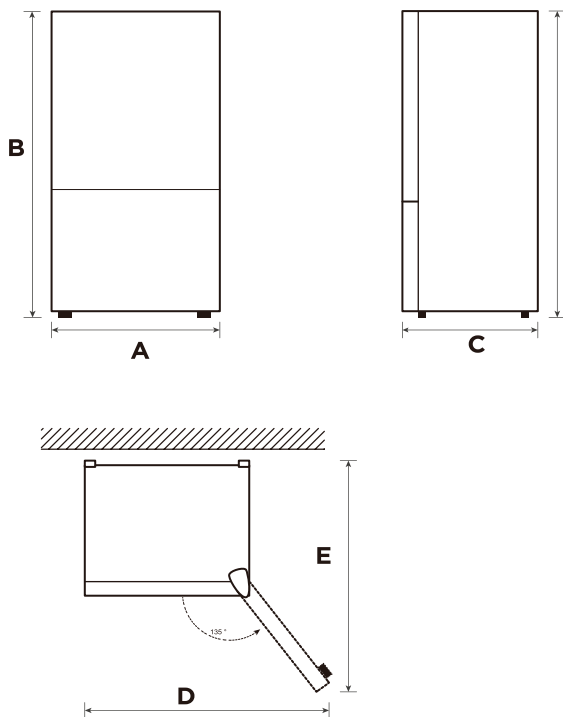
- Une distance trop petite des éléments adjacents peut entraîner une dégradation de la capacité de congélation et une augmentation des coûts d'électricité. Laissez plus de 100 mm de dégagement à partir de chaque mur adjacent lors de l'installation de l'appareil.



ATTENTION

L'image ci-dessus est donnée uniquement à titre de référence. La configuration réelle dépend du produit physique ou de la notice du distributeur

Diagramme d'encombrement (porte ouverte et fermée)



FR

Largeur	Hauteur totale	Profondeur	La porte s'ouvre à 135° en largeur	La porte s'ouvre à 135° en hauteur
A	B	C	D	E
595	1880	630	988	1074

Remarque : Toutes les dimensions sont en mm

Inverser l'ouverture de la porte (option)

En fonction de l'endroit d'utilisation du réfrigérateur, il serait peut-être plus pratique d'inverser l'ouverture de la porte.

MISE EN GARDE

MISE EN GARDE: Pour éviter toute blessure, il est recommandé que quelqu'un vous assiste pendant l'inversion de la porte.

Préparation pour inverser l'ouverture de la porte

Vous aurez besoin de : Un tournevis standard, un tournevis cruciforme et la clé Allen incluse.

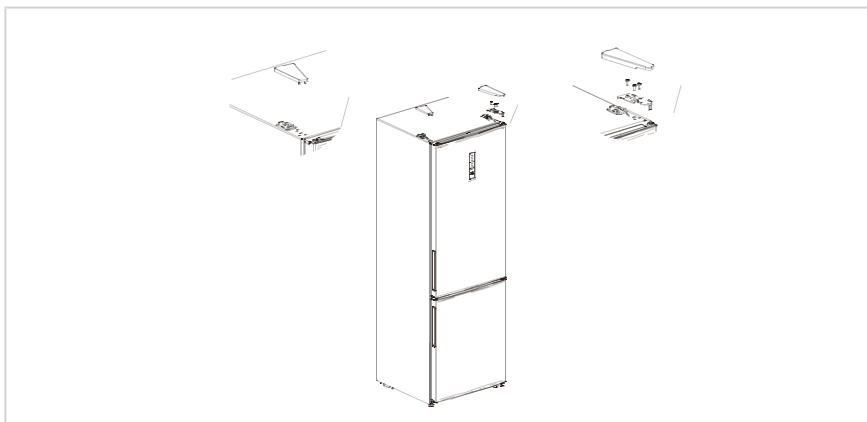
- Assurez-vous que votre réfrigérateur est vide et débranché.
- Il faut avoir quelqu'un pour vous aider.
- Gardez toutes les pièces retirées pour toute réutilisation.

Outils nécessaires pour inverser l'ouverture de la porte :



Étape

1. Éteignez le réfrigérateur et retirez tous les objets des plateaux de la porte.
2. Démontez le couvercle de la charnière supérieure, débranchez les fils de signal, la charnière supérieure et le capuchon du trou de l'autre côté, retirez la porte du réfrigérateur.

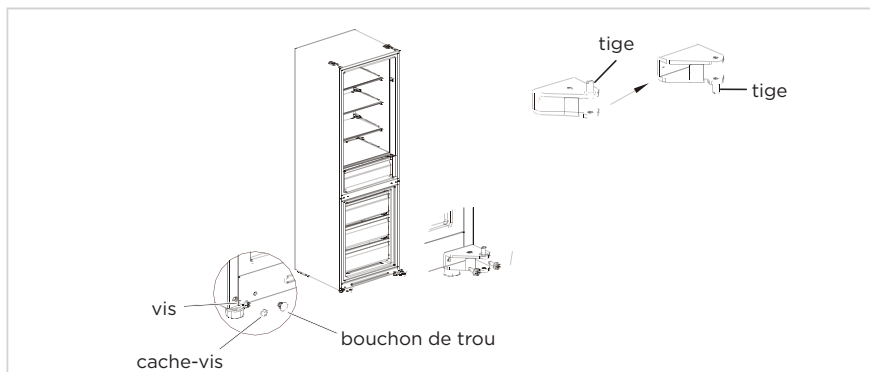


3. Démontez la charnière centrale, les vis, les capuchons de trou de vis et retirez la porte du congélateur.

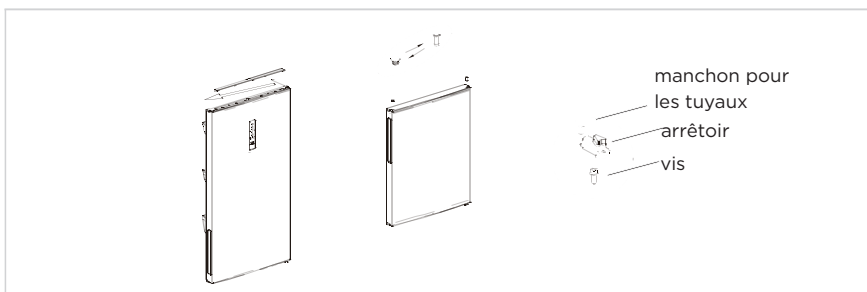


FR

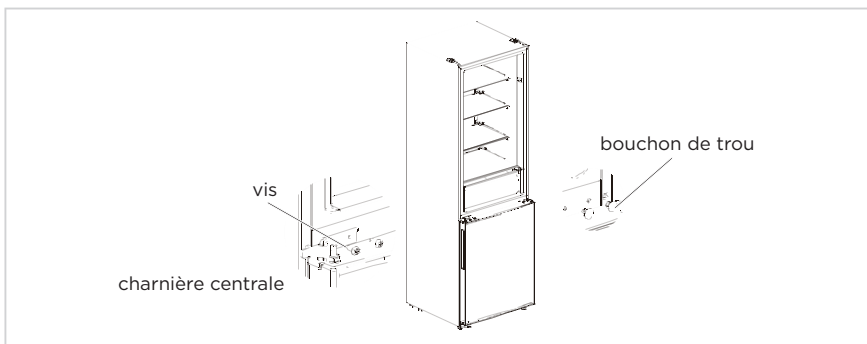
4. Retirez la charnière inférieure, les bouchons du trou et les vis, installez l'arbre de charnière inférieure de l'autre côté de la charnière inférieure, puis installez la charnière de l'autre côté.



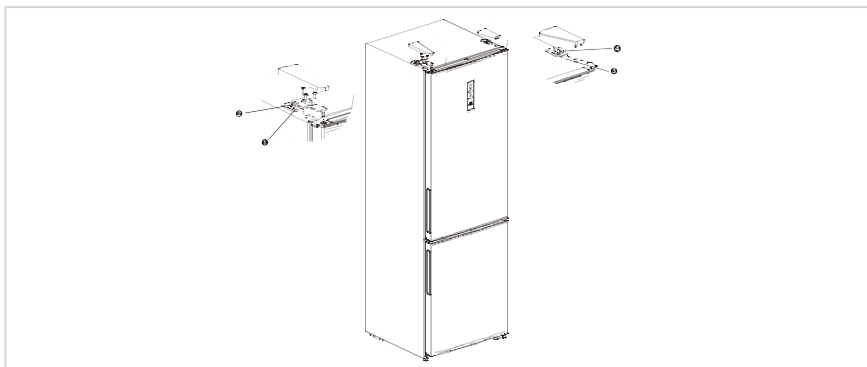
5. Démontez les vis, le manchon et la butée du couvercle inférieur des deux côtés de la porte, et les installer de l'autre côté de la porte (la butée doit être remplacée à partir du sachet fourni). Retirez ensuite le couvercle d'extrémité supérieure de la porte du réfrigérateur et passez le faisceau de câbles avec un manchon pour tuyau de l'autre côté de la porte. Enfin, installez le manchon pour tuyau de la charnière supérieure sur la porte du réfrigérateur dans le trou de l'autre côté du couvercle d'extrémité supérieure de la porte du réfrigérateur.



6. Placez la porte du congélateur sur la charnière inférieure, installez la charnière centrale, les vis et les bouchons des trous de vis.



7. Placez le corps de la porte réfrigérateur sur la charnière centrale, puis installez la charnière supérieure de l'autre côté, enfin connectez les bornes 1, 2 pour les fils de signal sur le côté de la charnière supérieure et les bornes 3, 4 sur l'autre côté et mettez le couvercle de la charnière et le capuchon du trou.



ATTENTION

L'image ci-dessus est donnée uniquement à titre de référence. La configuration réelle dépend du produit physique ou de la notice du distributeur.

Emplacement

- Avant d'utiliser le réfrigérateur, retirez tous les matériaux d'emballage, y compris les coussins inférieurs et les coussinets et bandes en mousse à l'intérieur, déchirez le film protecteur apposé sur la porte et le corps.
- Tenez à l'écart de la chaleur et évitez la lumière directe du soleil. Ne placez pas le congélateur dans des endroits humides ou aqueux pour éviter la rouille ou la réduction de l'isolation.
- Pour ne pas affecter l'isolation électrique du congélateur, ne projetez pas de l'eau dessus et ne le lavez pas, ne le placez pas dans des endroits humides où il est facile de le mouiller.
- Le réfrigérateur doit être placé dans un endroit à l'intérieur bien ventilé ; le sol doit être plat et solide (tournez les pieds à gauche ou à droite pour régler le niveau si l'appareil est instable).



Pieds réglables

L'appareil doit être à niveau pour éviter toute vibration.

Il faut tenir compte de l'uniformité du sol dans la mise à niveau.

L'avant de la porte doit être légèrement plus haut que l'arrière pour faciliter sa fermeture.

Les vis de mise à niveau peuvent être facilement tournées en inclinant légèrement l'appareil.

Tournez les vis de mise à niveau dans le sens antihoraire  pour soulever l'appareil, dans le sens horaire  pour l'abaisser.

Déplacement de l'appareil

1. Retirez tous les aliments de l'appareil.
2. Débranchez la fiche d'alimentation, et la fixer au crochet de prise située à l'arrière ou la placer au-dessus de l'appareil.
3. Collez les pièces telles que étagères et poignée de porte pour éviter qu'elles ne tombent lors du déplacement de l'appareil.
4. Avec précaution, déplacez l'appareil à l'aide de deux personnes au moins. Lors du transport sur une longue distance, l'appareil doit être maintenu en position verticale.
5. Après l'installation de l'appareil, branchez la fiche d'alimentation dans une prise de courant pour l'allumer.

ATTENTION

Précautions avant l'utilisation :

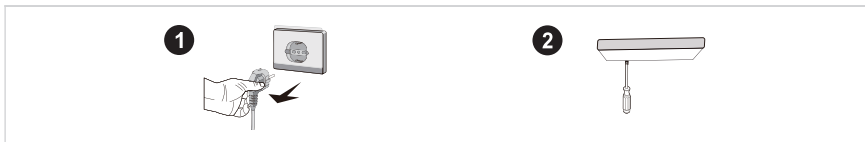
Avant d'apporter des modifications, le réfrigérateur doit être débranché : des précautions doivent être prises pour éviter toute blessure.

Changement de l'ampoule

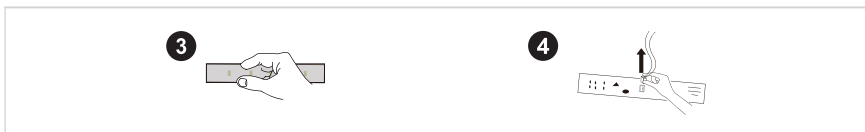
- Tout remplacement ou entretien des lampes LED doit être effectué par le fabricant, son agent de service ou une personne qualifiée. Ce produit contient une source lumineuse de classe d'efficacité énergétique <F>.

Étape

1. Veuillez débrancher le produit avant de la retirer.
2. Retirez la collerette avec un tournevis



3. Enlevez le panneau de lampe.
4. Retirez la borne de connexion.



Branchement de l'appareil

Avant le démarrage initial, gardez le réfrigérateur immobile pendant une demi-heure avant de le brancher à l'alimentation électrique.

● ATTENTION

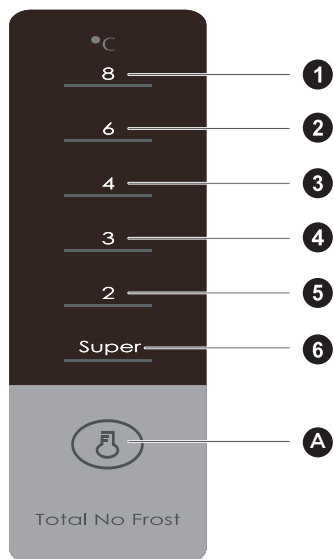
Avant de mettre des aliments frais ou surgelés, le réfrigérateur doit avoir fonctionné pendant 2 à 3 heures, ou pendant plus de 4 heures en été lorsque la température ambiante est élevée.

Conseils pour l'économie d'énergie

- L'appareil doit être situé dans la zone la plus fraîche de la pièce, loin des appareils produisant de la chaleur ou des conduits de chauffage, et à l'abri de la lumière directe du soleil.
- Laissez les aliments chauds refroidir à température ambiante avant de les placer dans l'appareil. Une surcharge de l'appareil force le compresseur à fonctionner plus. Les aliments qui gèlent trop lentement peuvent perdre de la qualité ou s'abîmer.
- Veillez à emballer correctement les aliments et essuyer les récipients avant de les placer dans l'appareil. Cela réduit l'accumulation de givre à l'intérieur de l'appareil.
- Le bac de rangement de l'appareil ne doit pas être recouvert de papier d'aluminium, ciré ou essuie-tout. Les doublures interfèrent avec la circulation de l'air froid et le congélateur serait moins performant.
- Organisez et étiquetez les aliments pour réduire les ouvertures de porte et les recherches prolongées. Retirez autant d'objets que nécessaire à la fois et fermez la porte dès que possible.

MODE D'EMPLOI

Panneau de commande



FR

ATTENTION

L'image ci-dessus est donnée uniquement à titre de référence. La configuration réelle dépend du produit physique ou de la notice du distributeur.

Touche

A Bouton de réglage de la température

Écran

1	réglage de température 1
2	réglage de température 2
3	réglage de température 3
4	réglage de température 4
5	réglage de température 5
6	réglage de température 6

Écran

Lorsque vous mettez le réfrigérateur sous tension, l'écran (y compris le voyant lumineux) s'allume entièrement pendant 3 secondes, puis le réfrigérateur fonctionne selon le réglage de température 3.

Affichage du fonctionnement normal

En cas de défaillance, le voyant LED correspondant affiche le code de défaillance (en affichage de recyclage) ;

S'il n'y a pas de défaillance, le voyant LED affiche le réglage de température existant.

FR

ATTENTION

Le panneau de commande réel peut être différent d'un modèle à l'autre.

Mode d'emploi

Réglage de la vitesse

- Le réglage de la température est modifié une fois à chaque pression sur la touche SET. Ensuite, le réfrigérateur fonctionnera sous la nouvelle valeur de réglage au bout de 15 s.

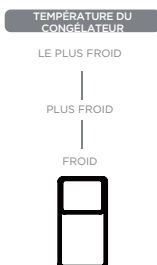
Réglage 1 → Réglage 2 → Réglage 3 → Réglage 4 → Réglage 5 → Réglage 6 → Réglage 1 →

Mode de refroidissement rapide :

- Entrée : Mode de refroidissement rapide avec modulation par circulation.
- Fonctionnement : Le témoin de refroidissement rapide s'allume, et le réfrigérateur fonctionne à 2° C.
- Le mode de refroidissement rapide est automatiquement désactivé pendant 24 H.
- La fonction de refroidissement rapide peut être utilisée comme fonction de super congélation.

Réglage du bouton du volet d'air manuel

- Tournez le coulisseau du volet d'air vers le haut, la température réelle à l'intérieur du compartiment de congélation baissera, tournez le coulisseau du volet d'air vers le bas, la température réelle à l'intérieur du compartiment de congélation augmentera.



Code d'erreur

- Les avertissements suivants, qui apparaissent à l'écran, indiquent les défauts correspondants du réfrigérateur. Bien que le réfrigérateur puisse encore avoir une fonction de refroidissement et de congélation avec les défauts suivants, l'utilisateur doit contacter un spécialiste de la maintenance pour l'entretien, afin de garantir une utilisation normale du réfrigérateur.

Code d'erreur	Description du défaut
LED 1 et LED 2 allumés	Circuit de la sonde de température du réfrigérateur
LED 1 et LED 3 allumés	Sonde de dégivrage du congélateur
LED 1 et LED 4 allumés	Sonde de température ambiante

ATTENTION

Remarque : La fonction de congélation rapide est conçue pour maintenir la valeur nutritive des aliments dans le congélateur. Elle peut congeler les aliments dans les plus brefs délais. Si une grande quantité d'aliments est congelée en même temps, il est recommandé à l'utilisateur d'activer la fonction de congélation rapide avant d'y placer les aliments. La vitesse de congélation du compartiment de congélation est alors augmentée, ce qui permet de congeler rapidement les aliments, de verrouiller efficacement la nutrition des aliments et de faciliter le stockage.

Chambre frigorifique

- La chambre frigorifique convient au stockage d'une variété de fruits, légumes, boissons et autres aliments consommés à court terme, durée de stockage suggérée de 3 jours à 5 jours.
- Les aliments cuits ne doivent pas être placés dans la chambre frigorifique avant d'être à température ambiante.
- Il est recommandé de sceller les aliments avant de les mettre dans le congélateur.
- Les étagères en verre peuvent être ajustées vers le haut ou vers le bas à une distance raisonnable de stockage et une utilisation facile.

Chambre de congélation

- La faible température de la chambre de congélation peut garder les aliments frais pendant longtemps et est principalement utilisée pour stocker les aliments surgelés et faire de la glace.
- La chambre de congélation convient au stockage de viandes, poissons, boulettes de riz et autres aliments.
- Les gros morceaux de viande doivent être divisés en petits morceaux préférablement pour une congélation rapide et un accès facile. Les aliments doivent être consommés dans le délai de conservation.

ATTENTION

Remarque : Le stockage d'une trop grande quantité d'aliments pendant le fonctionnement après le premier branchement peut nuire à l'effet de congélation du réfrigérateur.

Ordre	Type de compartiment	Temp. de stockage cible [°C]	Aliments appropriés
1	Frigo	+2 - +8	Œufs, aliments cuits, aliments emballés, fruits et légumes, produits laitiers, gâteaux, boissons et autres aliments ne conviennent pas à la congélation.
2	(***)*-Congélateur	≤-18	Fruits de mer (poissons, crevettes, crustacés), produits aquatiques d'eau douce et produits à base de viande (recommandés pendant 3 mois, plus le temps de stockage est long, plus le goût devient mauvais), adaptés aux aliments frais congelés.
3	***-Congélateur	≤-18	Fruits de mer (poissons, crevettes, crustacés), produits aquatiques d'eau douce et produits à base de viande (recommandés pendant 3 mois, plus le goût devient mauvais), adaptés aux aliments frais congelés.
4	** -Congélateur	≤-12	Fruits de mer (poissons, crevettes, crustacés), produits aquatiques d'eau douce et produits à base de viande (recommandés pendant 3 mois, plus le temps de stockage est long, plus le goût devient mauvais), adaptés aux aliments frais congelés.
5	*-Congélateur	≤-6	Fruits de mer (poissons, crevettes, crustacés), produits aquatiques d'eau douce et produits à base de viande (recommandés pendant 3 mois, plus le temps de stockage est long, plus le goût devient mauvais), adaptés aux aliments frais congelés.
6	0 étoiles	-6 - 0	Porc frais, bœuf, poisson, poulet, certains aliments transformés emballés, etc. (recommandés de manger dans la même journée, de préférence pas plus de 3 jours). Aliments transformés partiellement emballés (aliments non congelables).
7	Froid	-2 - +3	Porc frais/congelé, bœuf, poulet, produits aquatiques d'eau douce, etc. (7 jours en dessous de 0°C et au-dessus de 0°C recommandés pour une consommation dans la journée, de préférence pas plus de 2 jours). Fruits de mer (moins de 0 pour 15 jours), il est déconseillé de conserver au-dessus de 0°C.
8	Aliments frais	0 - +4	Porc frais, bœuf, poisson, poulet, plats cuisinés, etc. (recommandés de manger dans la même journée, de préférence pas plus de 3 jours)
9	Vin	+5 - +20	Vin rouge, vin blanc, vin mousseux, etc.

ATTENTION

Il faut stocker différents aliments en fonction des compartiments ou de la température cible.

NETTOYAGE ET ENTRETIEN

Nettoyage général

- La poussière derrière le congélateur et au sol doit être nettoyée en temps opportun pour améliorer l'effet de refroidissement et l'économie d'énergie.
- Vérifiez régulièrement le joint du congélateur armoire pour s'assurer qu'il n'y a pas de débris. Nettoyez le joint de la porte avec un chiffon doux imbibé d'eau savonneuse ou de détergent dilué.
- L'intérieur du congélateur doit être nettoyé régulièrement pour éviter toute odeur.
- Il faut éteindre l'appareil avant de nettoyer l'intérieur, retirer tous les aliments, boissons, étagères, tiroirs, etc.
- Utilisez un chiffon doux ou une éponge pour nettoyer l'intérieur du congélateur avec une solution de deux cuillères à soupe de bicarbonate de soude et un litre d'eau tiède. Rincez ensuite à l'eau puis essuyez. Après le nettoyage, ouvrez la porte et laissez sécher à l'air avant de brancher l'appareil.
- Pour les zones difficiles à nettoyer dans le congélateur (telles que espaces étroits, trous et coins), il est recommandé de les essuyer régulièrement avec un chiffon doux, une brosse douce, etc. et si nécessaire, combiné avec certains outils auxiliaires (tels que bout de bois mince) pour éviter toute accumulation de contaminants ou de bactéries dans ces zones.
- N'utilisez pas de savon, détergent, poudre à récurer, nettoyant en vaporisateur, etc., car ils peuvent laisser des odeurs à l'intérieur du congélateur ou des aliments contaminés.
- Nettoyez les bouteilles, étagères et tiroirs avec un chiffon doux imbibé d'eau savonneuse ou de détergent dilué. Séchez avec un chiffon doux ou laissez sécher naturellement.
- Nettoyez la surface extérieure du réfrigérateur avec un chiffon doux imbibé d'eau savonneuse ou de détergent, puis l'essuyer.
- N'utilisez pas de brosses dures, de billes de nettoyage en acier, de brosses métalliques, d'abrasifs (tels que dentifrice), de solvants organiques (tels qu'alcool, acétone, huile de banane, etc.), de l'eau bouillante, des produits acides ou alcalins, qui peuvent endommager la surface et l'intérieur du congélateur. L'eau bouillante et les solvants organiques tels que le benzène peuvent déformer ou endommager les pièces en plastique.
- Ne rincez pas directement avec de l'eau ou d'autres liquides pendant le nettoyage pour éviter les courts-circuits ou affecter l'isolation électrique après immersion.

FR

ATTENTION

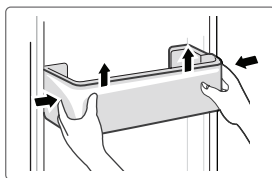
Il faut débrancher le congélateur avant la décongélation et le nettoyage.

Décongélation

- Le réfrigérateur est fabriqué selon le principe de refroidissement par air et dispose donc d'une fonction de dégivrage automatique. Le givre formé en raison du changement de saison ou de température peut également être éliminé manuellement en débranchant l'appareil ou en l'essuyant avec une serviette sèche.

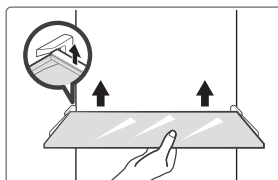
Nettoyage du plateau de porte

- Selon la flèche de direction dans la figure ci-dessous, utilisez les deux mains pour presser le plateau et poussez-le vers le haut pour pouvoir le sortir par la suite.
- Après avoir lavé le casier retiré, vous pouvez ajuster sa hauteur en fonction de vos besoins.



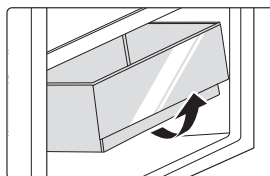
Nettoyage de l'étagère en verre

- Comme la partie la plus interne de la cuve du réfrigérateur, où se trouvent les étagères, est dotée d'une butée arrière, vous devez soulever les étagères vers le haut pour pouvoir les retirer.
- Ajustez ou nettoyez les étagères en fonction de vos besoins.



Nettoyage du bac à légumes

1. Retirez le contenu du bac. Tenez la poignée du bac à légumes et tirez complètement jusqu'à ce qu'il s'arrête.
2. Soulevez le bac à légumes et le retirer en le tirant vers l'extérieur.



Hors service

Panne de courant :

En cas de panne de courant, même en été, les aliments à l'intérieur de l'appareil peuvent être conservés plusieurs heures ; pendant la panne de courant, les heures d'ouverture de la porte doivent être réduites et aucun aliment frais ne doit plus être mis dans l'appareil.

Longue période de non utilisation :

L'appareil doit être débranché et nettoyé ; laissez es portes ouvertes pour éviter les odeurs.

Déplacement :

Avant de déplacer le réfrigérateur, mettez tous les objets à l'envers, fixez les cloisons en verre, le bac à légumes, les tiroirs de la chambre de congélation, etc. avec du ruban adhésif, et serrez les pieds de nivellement ; fermez les portes et les fixer avec du ruban adhésif. Pendant le déplacement, l'appareil ne doit pas être posé à l'envers ou horizontalement ni être soumis à des vibrations ; l'inclinaison pendant le mouvement ne doit pas dépasser 45°.

● ATTENTION

Une fois mis en marche, l'appareil doit fonctionner en continu. En règle générale, le fonctionnement de l'appareil ne doit pas être interrompu ; autrement sa durée de vie peut être réduite.

DÉPANNAGE

Les problèmes simples suivants peuvent être traités par l'utilisateur. Appelez le service après-vente si ces problèmes ne sont pas réglés.

Problème	Cause possible
Échec de l'opération	<ul style="list-style-type: none">• Vérifiez si l'appareil est branché au secteur ou si la fiche est bien en contact
	<ul style="list-style-type: none">• Vérifiez si la tension est trop basse• Vérifiez s'il y a une panne de courant ou des circuits partiels se sont déclenchés
Odeur	<ul style="list-style-type: none">• Les aliments susceptibles d'émettre des odeurs doivent être bien enveloppés• Vérifiez s'il y a des aliments pourris• Nettoyez l'intérieur du réfrigérateur
	<ul style="list-style-type: none">• Un fonctionnement prolongé du réfrigérateur est normal en été lorsque la température ambiante est élevée• Il n'est pas recommandable d'avoir trop d'aliments dans l'appareil en même temps• Les aliments doivent refroidir avant d'être mis dans l'appareil• Les portes sont ouvertes trop fréquemment
Compresseur fonctionnant pendant une longue période	<ul style="list-style-type: none">• Vérifiez si le réfrigérateur est branché à l'alimentation électrique et si la lumière est endommagée• Faites remplacer la lumière par un professionnel
La lumière ne s'allume pas	<ul style="list-style-type: none">• La porte est coincée par des aliments• Le réfrigérateur est incliné.
La porte du réfrigérateur ne peut pas être correctement fermée.	<ul style="list-style-type: none">• Vérifiez si le sol est bien horizontal et si le réfrigérateur est placé de manière stable• Vérifiez si les accessoires sont placés aux bons endroits
Bruits forts	

FR

Problème	Cause possible
Le joint de la porte n'est pas serré.	<ul style="list-style-type: none"> Éliminez tout corps étranger sur le joint de la porte Chauffez le joint de la porte, puis le refroidir pour le restaurer (ou soufflez dessus avec un séchoir électrique ou utilisez une serviette chaude)
Débordement du bac à eau	<ul style="list-style-type: none"> Il y a trop d'aliments dans la chambre ou les aliments stockés contiennent trop d'eau, cela entraîne une forte décongélation Les portes ne sont pas fermées correctement, cela entraîne un dégivrage dû à l'entrée d'air et une augmentation d'eau
Boîtier chaud	<ul style="list-style-type: none"> La dissipation de la chaleur du condenseur intégré via le boîtier est normale. Lorsque le boîtier devient chaud en raison d'une température ambiante élevée, du stockage d'une trop grande quantité d'aliments ou de l'arrêt du compresseur, il faut prévoir une bonne ventilation pour faciliter la dissipation de la chaleur.
Condensation de surface	<ul style="list-style-type: none"> La condensation sur la surface extérieure et les joints de porte du réfrigérateur est normale lorsque l'humidité ambiante est trop élevée. Il suffit d'essuyer la condensation avec une serviette propre.
Bruit anormal	<ul style="list-style-type: none"> Vrombissement : Le compresseur peut produire des vrombissements qui sont forts en particulier au démarrage ou à l'arrêt. C'est normal. Craquements : Le fluide frigorigène qui circule à l'intérieur de l'appareil peut produire des craquements, ce qui est normal.

ANNEXE

Spécial pour la nouvelle norme européenne

Les pièces commandées dans le tableau suivant peuvent être acquises auprès d'un canal de fournisseur de services.

Pièce commandée	Fourni par	Temps minimum requis pour la fourniture
Thermostats	Personnel professionnel de maintenance	Au moins 7 ans après le lancement du dernier modèle sur le marché
Capteurs de température	Personnel professionnel de maintenance	Au moins 7 ans après le lancement du dernier modèle sur le marché
Cartes de circuit imprimé	Personnel professionnel de maintenance	Au moins 7 ans après le lancement du dernier modèle sur le marché
sources de lumière	Personnel professionnel de maintenance	Au moins 7 ans après le lancement du dernier modèle sur le marché
Poignées de porte	Réparateurs professionnels et utilisateurs	Au moins 7 ans après le lancement du dernier modèle sur le marché
Charnières de porte	Réparateurs professionnels et utilisateurs	Au moins 7 ans après le lancement du dernier modèle sur le marché
Tiroirs	Réparateurs professionnels et utilisateurs	Au moins 7 ans après le lancement du dernier modèle sur le marché
Paniers	Réparateurs professionnels et utilisateurs	Au moins 7 ans après le lancement du dernier modèle sur le marché
Joint de porte	Réparateurs professionnels et utilisateurs	Au moins 10 ans après le lancement du dernier modèle sur le marché

FR

Chère cliente,

1. Pour retourner ou remplacer le produit, il faut d'abord contacter le magasin où vous l'avez acheté.

(N'oubliez pas de joindre la facture d'achat)

2. Si votre produit tombe en panne et doit être réparé, il faut contacter le service après-vente.

● ATTENTION

Les informations du modèle dans la base de données des produits, ainsi que l'identificateur du modèle, peuvent être obtenues au moyen d'un lien web scanné d'un code QR, le cas échéant, sur l'étiquette d'efficacité énergétique du produit.

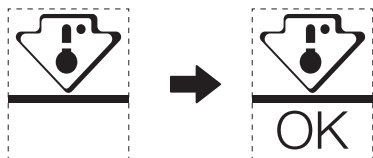
Pour plus d'informations sur l'efficacité énergétique de l'appareil, rendez-vous sur <https://ec.europa.eu> et recherchez par le nom du modèle.

Le nom du modèle se trouve sur la plaque signalétique de l'appareil.

Zone la plus froide du réfrigérateur

EN OPTION : OK-indicateur de température

- L'indicateur de température OK peut être utilisé pour déterminer des températures inférieures à +4°C. Réduisez progressivement la température si le signe n'indique pas « OK ».



- Pour garantir la température dans cette zone, ne changez pas l'emplacement de l'étagère. Dans les réfrigérateurs à air forcé (équipés d'un ventilateur ou modèles Pas de gel), le symbole de la zone la plus froide n'est pas représenté car la température à l'intérieur est homogène.

Réglage de l'indicateur de température

- Pour vous aider à bien régler votre réfrigérateur, celui-ci est équipé d'un indicateur de température qui surveille la température moyenne dans la zone la plus froide.
- **AVERTISSEMENT** : cet indicateur ne fonctionne qu'avec votre réfrigérateur, ne l'utilisez pas dans un autre réfrigérateur (en effet, la zone la plus froide n'est pas la même), ou pour autre chose.

Vérification de la température dans la zone la plus froide

- Grâce à l'indicateur de température, vous pouvez vérifier régulièrement que la température de la zone la plus froide est correcte. En effet, la température interne du réfrigérateur dépend de plusieurs facteurs tels que la température ambiante de la pièce, la quantité d'aliments stockés et la fréquence d'ouverture des portes. Il faut tenir compte de ces facteurs lors du réglage du réfrigérateur.
- Lorsque l'indicateur affiche « OK », cela signifie que le thermostat est bien réglé et que la température intérieure est correcte.
- Si l'indicateur de température devient BLANC, cela signifie que la température est trop élevée, dans ce cas, augmentez le réglage de la température et patientez 12 heures avant d'effectuer une nouvelle inspection visuelle de l'indicateur. Lorsque des aliments frais ont été introduits ou que la porte a été laissée ouverte, il est possible que l'indicateur de température devienne BLANC au bout d'un certain temps.

GRACIAS POR SU CARTA

¡Gracias por elegir Midea! Antes de usar su nuevo producto Midea, lea detenidamente este manual para asegurarse de que sabe cómo operar las características y funciones que su nuevo aparato ofrece de forma segura.

CONTENIDO

GRACIAS POR SU CARTA	01
ESPECIFICACIONES	02
VISTA GENERAL DEL PRODUCTO	03
INSTALACIÓN DEL PRODUCTO	04
INSTRUCCIONES DE FUNCIONAMIENTO	11
LIMPIEZA Y MANTENIMIENTO	15
PROBLEMAS Y SOLUCIONES	17
APÉNDICE	19

ES

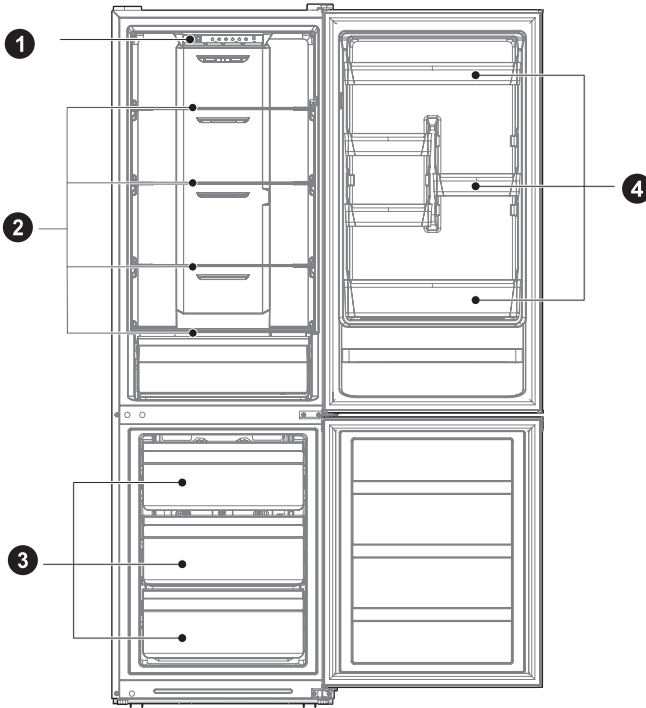
ESPECIFICACIONES

Modelo del producto	MDRB424FGE
Volumen del compartimento de almacenamiento de alimentos frescos	224 L
Volumen de almacenamiento de alimentos congelados	86 L
Tipo de descongelación	Descongelación automática
Tiempo de aumento de temperatura	8 h
Capacidad de congelación	3,9 kg/24 h
Tensión nominal/Frecuencia	220-240V-/50Hz
Corriente nominal	0.8A
Dimensiones generales (A × A × D)	1880x595x630 mm

ES

VISTA GENERAL DEL PRODUCTO

Nombres de los componentes



1 Iluminación LED

2 Repisa

3 Cajón

4 Bandeja de la puerta

ATENCIÓN

La imagen que aparece arriba tiene solo una finalidad de referencia. La configuración real dependerá del producto físico o declaración por parte del distribuidor.

ES

INSTALACIÓN DEL PRODUCTO

Instrucciones de instalación

Para aparatos frigoríficos con clase climática

- Dependiendo de la clase climática, este aparato de refrigeración está diseñado para usarse dentro de los rangos de temperatura ambiente especificados en la siguiente tabla.
- La clase climática se puede encontrar en la placa de características. El producto podría no funcionar adecuadamente a temperaturas que no estén comprendidas en el rango especificado.
- Puede encontrar la clase de clima en la etiqueta del producto.

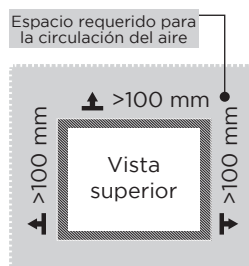
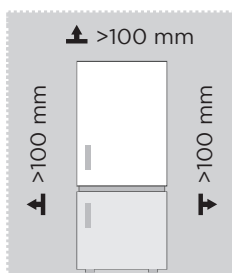
Rango de temperatura efectiva

- La nevera está diseñada para funcionar con normalidad dentro del rango de temperaturas especificado en su clasificación.

Clase	Símbolo	Alcance de temperatura ambiente °C	
		IEC 62552 (ISO 15502)	ISO 8561
Templada extendida	SN	+ 10 hasta + 32	+ 10 hasta + 32
Templada	N	+ 16 hasta + 32	+ 16 hasta + 32
Subtropical	ST	+ 16 hasta + 38	+ 18 hasta + 38
Tropical	T	+ 16 hasta + 43	+ 18 hasta + 43

Dimensiones y espacios libres

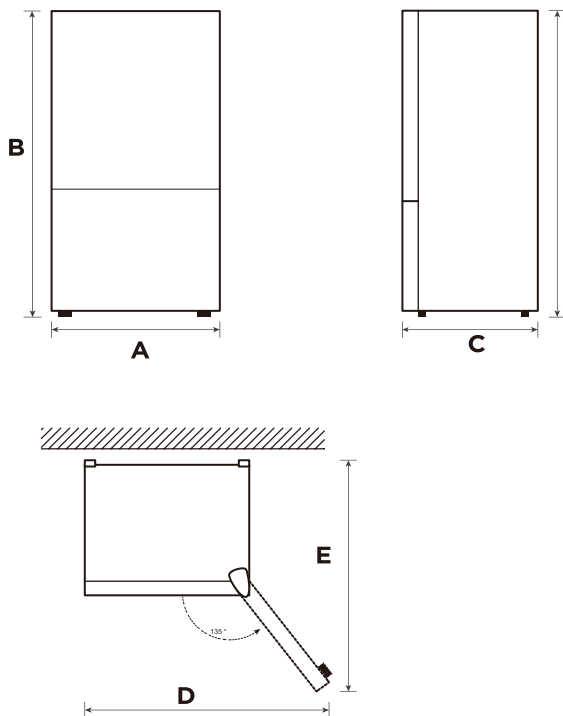
- Si es demasiado pequeño de una distancia desde elementos adyacentes se puede provocar la degradación de la capacidad de congelación y aumentar los costes de electricidad. Deje más de 100 mm de espacio libre desde cada pared adyacente cuando instale el aparato.



⚠ ATENCIÓN

La imagen que aparece arriba tiene solo una finalidad de referencia. La configuración real dependerá del producto físico o declaración por parte del distribuidor.

Diagrama de requerimientos de espacio (cuando la puerta esté abierta y cuando la puerta esté cerrada)



ES

Anchura	Altura general	Profundidad	Anchura con las puertas abiertas 135°	Fondo con las puerta abiertas 135°
A	B	C	D	E
595	1880	630	988	1074

Aviso: Todas las dimensiones son en milímetros

Cambio de puerta de derecha a izquierda (opcional)

Basándose en la ubicación donde piense usar el frigorífico, puede que encuentre más práctico invertir la posición de la puerta.

PRECAUCIÓN

PRECAUCIÓN: Para evitar lesiones a usted mismo y su propiedad, recomendamos que alguien le ayude durante el proceso de inversión de puertas.

Preparación para invertir la posición de la puerta

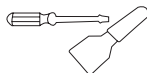
Necesitará: un destornillador estándar, un destornillador de cabeza Phillips y la llave Allen que se adjunta.

- Asegúrese de que el frigorífico está desconectado y vacío.
- Haga que alguien que esté disponible le ayude en el proceso
- Guarde todas las piezas que retire para reutilizarlas más tarde.

Herramientas necesarias para cambiar la puerta:



Destornillador para cabeza en cruz



Espátula destornillador plano fino



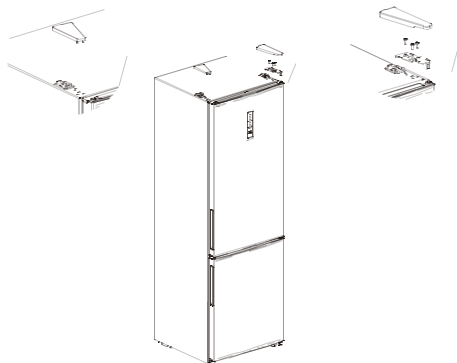
Llave de carraca y vaso de 5/16"



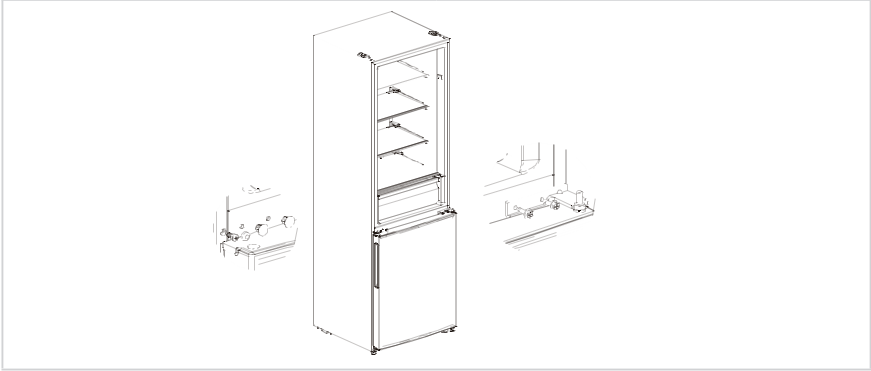
Cinta de carroceros

Paso

1. Apague el frigorífico y retire todos los objetos de las bandejas de la puerta.
2. Desmonte la cubierta de la bisagra superior, desconecte los cables de señal, la bisagra superior y el tapón del orificio del lado contrario; retire la puerta del frigorífico.

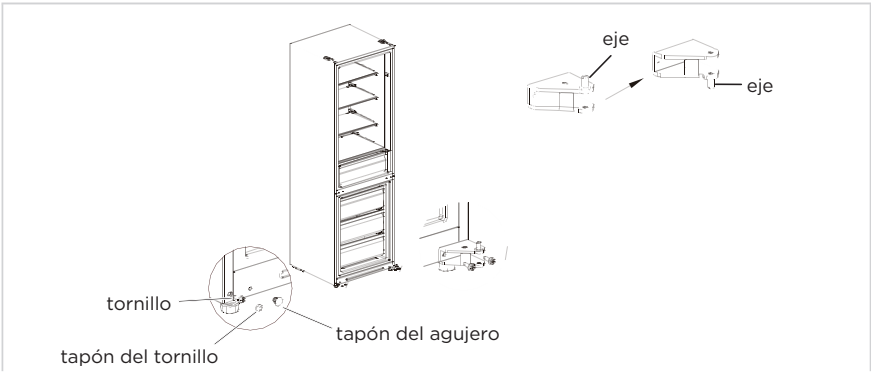


3. Desmonte la bisagra central, los tornillos, los tapones de los agujeros de tornillos y retire la puerta del congelador.

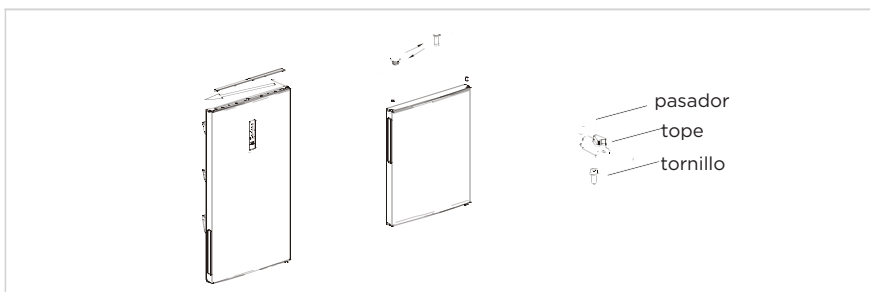


ES

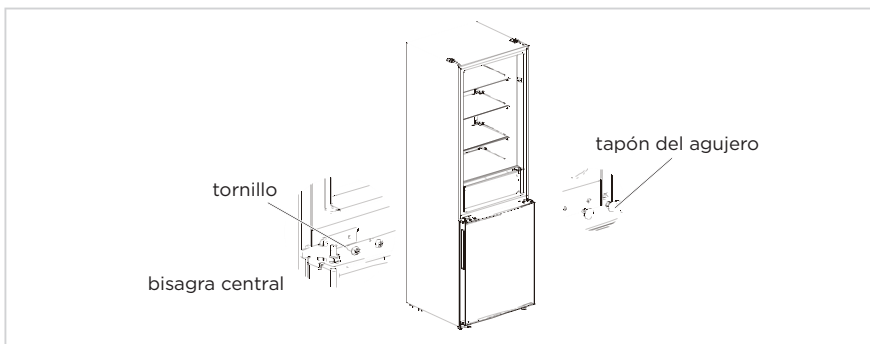
4. Desmonte el quicio inferior, los tapones de los agujeros y los tornillos; instale el eje del quicio inferior en el otro lado del quicio inferior; posteriormente, instale el quicio en el otro lado.



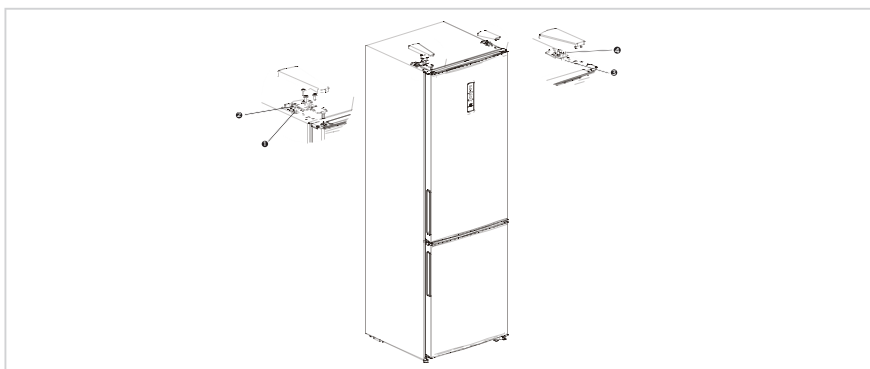
5. Desmonte los tornillos, la tubería adaptadora y el tope ubicados en la cubierta del extremo inferior de los cuerpos de las dos puertas; instálelos sucesivamente en el lado contrario de los cuerpos de las puertas (el tope se debe cambiar por el que se incluye en la bolsa adicional). A continuación, retire la cubierta del extremo superior de la puerta de la nevera y conecte el arnés de cables con una tubería adaptadora al lado opuesto del cuerpo de la puerta. Finalmente, instale la tubería adaptadora de la bisagra superior de la puerta de la nevera en el lado contrario de la cubierta de su extremo superior.



6. Coloque la puerta del congelador en el quicio inferior, instale el quicio medio, los tornillos y los tapones de los agujeros de los tornillos.



7. Coloque el cuerpo de la puerta del compartimento refrigerador en la bisagra central; a continuación, instale la bisagra superior al lado contrario del armario de la nevera. Finalmente, conecte los terminales 1 y 2 para los cables de señal al lado de la bisagra superior y los terminales 3 y 4 del lado contrario, y la cubierta de la bisagra y del orificio.



● ATENCIÓN

La imagen que aparece arriba tiene solo una finalidad de referencia. La configuración real dependerá del producto físico o declaración por parte del distribuidor.

Colocación



- Antes de su uso, retire todos los materiales del embalaje, incluyendo almohadilladas inferiores, almohadilladas de espuma y cintas del interior del refrigerador; retire la película protectora de las puertas y de la carcasa del refrigerador.
- Manténgalo alejado del calor y evite la luz solar directa. No coloque el congelador en espacios húmedos o con agua para prevenir el óxido o la reducción del efecto de aislamiento.
- No pulverice o lave el refrigerador; no coloque el refrigerador en espacios húmedos donde sea fácil salpicarlo con agua para no afectar a las propiedades aislantes eléctricas del refrigerador.
- El refrigerador debe colocarse en un espacio interior bien ventilado; el piso debe ser plano y robusto (gírelo a la izquierda o derecha para ajustar las ruedas para nivelar si es inestable).

Nivelado de los pies

Para evitar vibraciones, se debe nivelar la unidad.

Si es necesario, ajuste los tornillos de nivelación para compensar el suelo irregular. La parte delantera debe ser ligeramente más alta que la trasera para ayudar al cierre de la puerta.

Los tornillos de nivelación pueden girarse con facilidad inclinando ligeramente el armario.

Gire en sentido antihorario los tornillos de nivelación  para subir la unidad y en sentido horario  para bajarla.

Movimiento del aparato

1. Extraiga toda la comida del interior del aparato.
2. Desconecte el enchufe, insértelo y fíjelo al gancho para enchufes situado en la parte posterior o superior del aparato.
3. Fije con cinta adhesiva las piezas como los estantes y el tirador de la puerta para evitar que se caigan mientras se mueve el aparato.
4. Mueva el aparato usando dos o más personas y con cuidado. Si va a transportar el aparato una larga distancia, manténgalo en posición vertical.
5. Tras instalar el aparato, conecte el enchufe a una toma de corriente y encienda el aparato.

ATENCIÓN

Precauciones antes del funcionamiento:

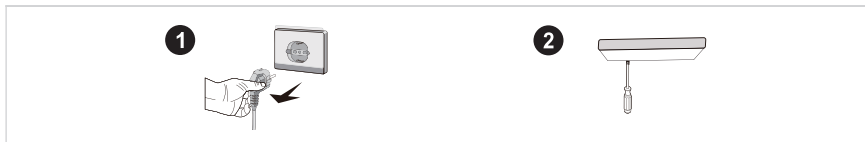
Antes de realizar cambios, se debe desconectar la nevera de la red eléctrica. Se deben tomar las precauciones necesarias para evitar daños personales.

Cambio de lámparas

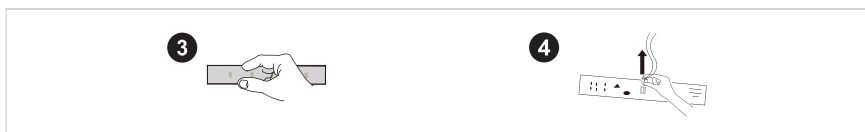
- El mantenimiento de las lámparas LED, así como su sustitución, la debe llevar a cabo el fabricante, su agente de servicio o personal cualificado. Este producto contiene una fuente lumínica de clase de eficiencia energética <F>.

Paso

1. Desenchufe el aparato antes de retirar la lámpara.
2. Utilice un destornillador para retirar la pantalla de la lámpara.



3. Retire el panel de la lámpara.
4. Desconecte el terminal.



Conexión del aparato

Antes de empezar a usarlo, mantenga el frigorífico quieto durante media hora antes de conectarlo a la alimentación.

● ATENCIÓN

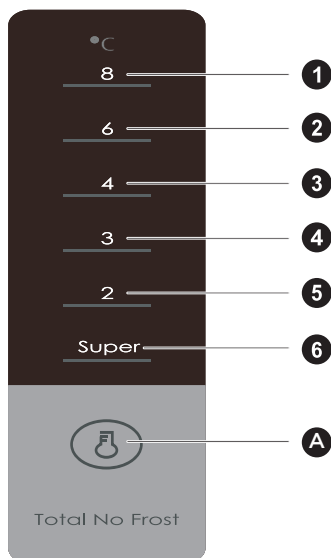
Antes de colocar cualquier alimento fresco o congelado, el frigorífico debe haber estado funcionando durante 2-3 horas, o más de 4 horas en verano cuando la temperatura ambiente es alta.

Consejos para el ahorro energético

- El aparato debe colocarse en la zona más fresca de la sala, alejado del calor que produzcan aparatos o conductos de calefacción y alejado de la luz solar directa.
- Deje que los alimentos calientes se enfríen a temperatura ambiente antes de colocarlos en el aparato. Sobrecargar el aparato fuerza al compresor a funcionar durante más tiempo. Los alimentos que se congelan muy lentamente pueden perder calidad o estropearse.
- Asegúrese de envolver adecuadamente los alimentos y secar los recipientes antes de colocarlos en el aparato. Esto disminuye la acumulación de hielo dentro del aparato.
- La cesta de almacenamiento del aparato no debe revestirse de papel de aluminio, papel de cera o toallitas de papel. Los revestimientos interfieren con la circulación del aire frío, haciendo que el aparato sea menos eficiente.
- Organice y etiquete los alimentos para reducir las aperturas de la puerta y búsquedas prolongadas. Retire tantos artículos como necesite de una vez y cierre la puerta a la mayor brevedad posible.

INSTRUCCIONES DE FUNCIONAMIENTO

Panel de control



ES

ATENCIÓN

La imagen que aparece arriba tiene solo una finalidad de referencia. La configuración real dependerá del producto físico o declaración por parte del distribuidor.

Teclas

A Botón de ajuste de temperatura

Pantalla

1	configuración de temperatura 1
2	configuración de temperatura 2
3	configuración de temperatura 3
4	configuración de temperatura 4
5	configuración de temperatura 5
6	configuración de temperatura 6

Pantalla

Cuando se encienda el frigorífico, la pantalla (incluyendo la luz principal) brillará completamente durante 3 segundos; posteriormente, el frigorífico funciona conforme a la configuración de temperatura 3.

Pantalla de funcionamiento normal

En caso de que se produzca un fallo, la luz LED correspondiente mostrará una pantalla combinada del código de fallo (en la pantalla de reciclaje);

Cuando no haya ningún fallo, la luz LED mostrará la configuración de temperatura existente.

● ATENCIÓN

El panel de control real puede diferir de un modelo a otro.

Instrucciones de funcionamiento

Configuración de funcionamiento

- Se cambiará la configuración de temperatura cada vez que pulse la tecla SET. Posteriormente el frigorífico funcionará bajo el nuevo valor de configuración después de 15 segundos.

Configuración 1 → Configuración 2 → Configuración 3 → Configuración 4 → Configuración 5 → Configuración 6 → Configuración 1 →

Modo de refrigeración rápida:

- Entrar: Modo de refrigeración rápida con modulación de la circulación.
- Funcionamiento: el indicador de enfriamiento rápido se enciende y el frigorífico funciona a 2 °C.
- Modo de refrigeración rápida deshabilitado automáticamente durante 24H.
- La función de refrigeración rápida puede usarse como la función de super congelación.

Ajuste del botón manual del regulador de aire

- Suba el control deslizante del regulador de aire y la temperatura real del interior del compartimento congelador bajará; si baja el control deslizante del regulador de aire, la temperatura real del interior del compartimento subirá.

TEMPERATURA DEL CONGELADOR

MAYOR NIVEL DE FRÍO

MÁS FRÍO

FRÍO



Código de error

- Las siguientes advertencias que aparecen en la pantalla indican los fallos correspondientes del frigorífico. Aunque el frigorífico puede todavía disponer de la función de refrigeración y congelación con los siguientes fallos, el usuario debe ponerse en contacto con un especialista en mantenimiento para el mantenimiento para asegurar el uso normal del frigorífico.

Código de fallo	Descripción del fallo
El LED 1 y el LED 2 están encendidos	Circuito del sensor de temperatura del frigorífico
El LED 1 y el LED 3 están encendidos	Sensor de descongelación del congelador
El LED 1 y el LED 4 están encendidos	Sensor de temperatura ambiente

ATENCIÓN

Nota: La función de congelación rápida está diseñada para mantener el valor nutricional de los alimentos en el - congelador. Puede congelar los alimentos en el menor tiempo posible. Si se congela una gran cantidad de alimentos a la vez, se recomienda que el usuario active la función de congelación rápida e introduzca los alimentos. En ese momento, la velocidad de congelación del compartimento de congelación aumentará, lo que permitirá congelar rápidamente los alimentos, bloquear eficazmente la nutrición de los mismos y facilitar su almacenamiento.

Cámara de refrigeración

- La cámara de refrigeración es apta para el almacenamiento de una gran variedad de frutas, verduras y otros alimentos consumidos a corto plazo, tiempo sugerido de almacenamiento de 3 a 5 días.
- No se deben colocar alimentos cocinados en la cámara del congelador hasta que no estén refrigerados a temperatura ambiente.
- Se recomienda que los alimentos se sellen antes de ponerlos en el congelador.
- Se pueden ajustar las estanterías puede ajustarse arriba o abajo para disponer de una cantidad razonable de espacio de almacenamiento y facilidad de uso.

Cámara de congelación

- La cámara de congelación de baja temperatura puede mantener los alimentos frescos durante mucho tiempo y se usa principalmente para guardar alimentos congelados y hacer hielo.
- La cámara de congelación es apta para guardar carne, pescado, bolas de arroz y otros alimentos que no van a consumirse a corto plazo.
- La carne debe dividirse preferentemente en trozos pequeños para que se congelen rápidamente y sean fáciles de coger. Tenga en cuenta que los alimentos deben consumirse dentro de su fecha de caducidad.

ATENCIÓN

Nota: El almacenamiento de demasiados alimentos durante el funcionamiento tras conectar el aparato por primera vez a la corriente puede afectar negativamente el efecto de congelación.

Pedido	TIPO de compartimentos	Temperatura objetivo de almacenamiento [°C]	Alimentos adecuados
1	Frigorífico	+2 - +8	Huevos, alimentos cocinados, alimentos envasados, frutas y verduras, productos lácteos, pasteles, bebidas y otros alimentos no aptos para su congelación.
2	(***)*-Congelador	≤-18	Pescado y marisco (gambas, moluscos), productos de agua dulce y productos cárnicos (recomendado 3 meses; cuanto mayor sea el tiempo de almacenamiento, peor será el sabor y los valores nutricionales), apto para alimentos frescos congelados.
3	***-Congelador	≤-18	Pescado y marisco (gambas, moluscos), productos de agua dulce y productos cárnicos (recomendado 3 meses; cuanto mayor sea el tiempo de almacenamiento, peor será el sabor y los valores nutricionales), apto para alimentos frescos congelados.
4	** -Congelador	≤-12	Pescado y marisco (gambas, moluscos), productos de agua dulce y productos cárnicos (recomendado 3 meses; cuanto mayor sea el tiempo de almacenamiento, peor será el sabor y los valores nutricionales), apto para alimentos frescos congelados.
5	*-Congelador	≤-6	Pescado y marisco (gambas, moluscos), productos de agua dulce y productos cárnicos (recomendado 3 meses; cuanto mayor sea el tiempo de almacenamiento, peor será el sabor y los valores nutricionales), apto para alimentos frescos congelados.
6	0 estrellas	-6 - 0	Cerdo, ternera, pescado y pollo frescos, algunos alimentos procesados empaquetados, etc. (Consumo recomendado el mismo día, preferentemente antes de 3 días.) Alimentos procesados parcialmente envasados (alimentos no congelables).
7	Frío	-2 - +3	Cerdo fresco / congelado, ternera, pollo, productos de pesca frescos, etc. (7 días por debajo de 0°C y por encima de 0°C; se recomienda para su consumo en el mismo día, preferentemente no más de 2 días). Marisco (menos de 0 durante 15 días; no se recomienda guardar por encima de 0°C).
8	Alimentos frescos	0 - +4	Cerdo, ternera, pescado y pollo frescos, alimentos cocinados, etc. (Consumo recomendado el mismo día, preferentemente antes de 3 días.)
9	Vino	+5 - +20	Vino tinto, vino espumoso, etc.

ATENCIÓN

guarde diferentes alimentos conforme a los compartimentos o la temperatura de almacenamiento objetivo de su compra.

LIMPIEZA Y MANTENIMIENTO

Limpieza general

- El polvo detrás del refrigerador y del suelo debe limpiarse rápidamente para mejorar el efecto de refrigeración y el ahorro energético.
- Compruebe regularmente la cesta de la puerta para asegurarse de que no haya residuos. Limpie la cesta de la puerta con un paño suave humedecido con agua jabonosa o detergente diluido.
- El interior del refrigerador debe limpiarse regularmente para evitar los malos olores.
- Apague la alimentación antes de limpiar el interior, retire todos los alimentos, bebidas, estanterías, cajones, etc.
- Use un paño suave o esponja para limpiar el interior del refrigerador, con dos cucharadas de bicarbonato sódico y un cuarto de agua caliente. Posteriormente aclárelo con agua y séquelo. Tras la limpieza, abra la puerta y déjelo secar de forma natural antes de encender la alimentación.
- Para aquellas áreas que son difíciles de limpiar en el frigorífico (como espacios, esquinas y paredes estrechas), se recomienda limpiarlas regularmente con un paño suave, un cepillo suave, etc. y cuando sea necesario, combinarlo con algunas herramientas auxiliares (como palos delgados) para asegurarse de que no hay acumulación de contaminantes o bacterias en estas áreas.
- No use jabón, detergente, polvo para fregar, limpiadores en spray, etc., ya que estos pueden causar malos olores en el interior del refrigerador o contaminar los alimentos.
- Limpie el botellero, estanterías y cajones con un paño suave humedecido con agua jabonosa o detergente diluido. Séquelo con un paño suave o séquelo de forma natural.
- Limpie la superficie exterior del refrigerador con un paño suave humedecido con agua jabonosa, detergente, etc. y después séquelo.
- No use cepillos duros, estropajos de acero, estropajos de alambre, productos abrasivos (como pasta de dientes) disolventes orgánicos (como acetona, alcohol, aceite de plátano, etc.), agua hirviendo, artículos ácidos o alcalinos que pueden dañar la superficie y el interior del refrigerador. El agua hirviendo y los disolventes orgánicos como el benceno pueden deformar o dañar las piezas de plástico.
- No lo aclare directamente con agua u otros líquidos durante la limpieza para evitar cortocircuitos o que afecte al aislamiento eléctrico tras la inmersión.

ATENCIÓN

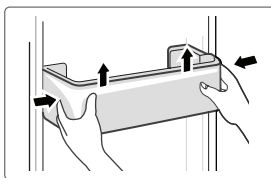
Desenchufe el frigorífico para la descongelación y la limpieza.

Descongelación

- El frigorífico está fabricado de acuerdo al principio de refrigeración del aire y, por tanto, cuenta con una función de descongelación automática. El hielo formado debido al cambio de estación o temperatura asimismo puede retirarse manualmente mediante la desconexión del aparato de la alimentación o limpiándolo con una toalla seca.

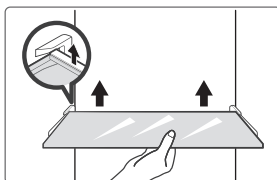
Limpieza de la bandeja de la puerta

- Según la flecha de dirección de la figura que aparece debajo, use ambas manos para apretar la bandeja, empujarla hacia arriba y después puede extraerla.
- Después del lavado, habiendo extraído la bandeja, se puede ajustar su altura de instalación en función de sus necesidades.



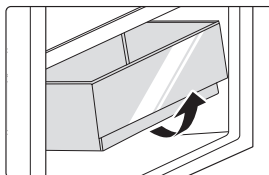
Limpieza de la estantería de vidrio

- Como la parte más interna del revestimiento del refrigerador donde entran en contacto las estanterías dispone de un tope, debe elevar las estanterías y después podrá extraerlas.
- Ajuste o limpie las estanterías según sus necesidades.



Limpieza del cajón de las verduras

1. Retire los contenidos del cajón. Sujete el asa del cajón de las verduras y extraígalo completamente hasta que se detenga.
2. Levante hacia arriba el cajón de las verduras y retírelo extrayéndolo.



Sin funcionamiento

Fallo de alimentación:

En caso de un fallo de alimentación, incluso en verano, los alimentos en el interior del aparato pueden mantenerse durante varias horas; durante un fallo de alimentación, se debe reducir las veces que se abre la puerta y no se deben colocar más alimentos frescos en el aparato.

Ausencia de uso prolongada:

El aparato debe desenchufarse y después limpiarse; posteriormente, las puertas se dejan abiertas para evitar los malos olores.

Traslado:

Antes de mover el refrigerador, extraiga todos los objetos al exterior, fije las partes de cristal, el soporte de las verduras, los cajones de la cámara de congelación, etc. con cinta y apriete los pies de equilibrado; cierre las puertas y fijelas con cinta. Durante el traslado, no se debe colocar el aparato al revés u horizontalmente o hacer que vibre; la inclinación durante el movimiento no será superior a 45°.

● ATENCIÓN

EL aparato debe funcionar de forma continua una vez que se enciende. En general, el funcionamiento del aparato no debe interrumpirse; el caso contrario, se puede ver alterada su vida útil

PROBLEMAS Y SOLUCIONES

El usuario puede ocuparse de los siguientes problemas simples. Llame al servicio posventa si no se solucionan los problemas.

Problema	Posible motivo
Fallo en el funcionamiento	• Compruebe si el aparato está conectado a la alimentación I si el enchufe tiene bien los contactos.
	• Compruebe si la tensión es demasiado baja.
	• Compruebe si hay un fallo de corriente o han saltado los circuitos parciales.
Mal olor	• Se deben envolver bien los alimentos que produzcan mal olor.
	• Compruebe si hay alimentos podridos.
	• Limpie el interior del refrigerador.
Funcionamiento durante mucho tiempo del compresor	• Es normal el funcionamiento prolongado del refrigerador en verano cuando la temperatura ambiente es.
	• No se recomienda tener muchos alimentos en el aparato al mismo tiempo.
	• Se deben enfriar los alimentos antes de empezar a ponerlos en el aparato.
	• Las puertas se abren con demasiada frecuencia.
La luz no se enciende.	• Compruebe si el refrigerador está conectado a la alimentación y si la luz que se debe iluminar presenta daños.
	• Recorra a un técnico calificado para cambiar la lámpara.
La puerta no se puede cerrar debidamente	• La puerta está atascada por los envases de alimentos.
	• El frigorífico está inclinado.
Ruidos altos	• Compruebe si el suelo está nivelado y si el refrigerador está colocado de forma estable.
	• Compruebe si los accesorios están colocados en las ubicaciones adecuadas

ES

Problema	Posible motivo
El sello de la puerta no está estanco	<ul style="list-style-type: none"> • Retire materiales extraños del sello de la puerta • Caliente el sello de la puerta y después refrigérelo para restaurarlo (o sóplelo con un secador eléctrico o use una toalla caliente para calentarlo)
La bandeja de agua se desborda.	<ul style="list-style-type: none"> • Hay demasiados alimentos en la cámara o los alimentos almacenados contienen demasiada agua, lo que provoca una grave descongelación • Las puertas no están cerradas debidamente lo que provocar hielo debido a la entrada de aire y al aumento de agua debido a la descongelación
Carcasa caliente	<ul style="list-style-type: none"> • Disipación del calor del condensador integrado mediante la carcasa, que es normal cuando la carcasa se calienta debido a una temperatura ambiente elevada, o el almacenamiento de demasiado alimentos o si se cierra del compresor y proporciona una buena ventilación para facilitar la disipación del calor
Condensación de la superficie	<ul style="list-style-type: none"> • La condensación de la superficie exterior y los sellos de la puerta del refrigerador es normal cuando la humedad ambiente es demasiado alta. Simplemente limpie la condensación con una toallita limpia.
Ruido anormal	<ul style="list-style-type: none"> • Pitido: El compresor puede producir pitidos durante el funcionamiento y los pitidos son altos en especial durante el inicio y la parada. Esto es normal. • Crujido: El refrigerante que fluye por el interior del aparato puede producir crujidos, lo que es normal.

ES

APÉNDICE

Especial para el nuevo estándar europeo

Las piezas pedidas que se incluyen en la siguiente tabla se pueden adquirir en la red de proveedores de servicios.

Pieza pedida	Proporcionada por	Tiempo mínimo hasta el suministro
Termostatos	Personal profesional de mantenimiento	Al menos 7 años después de que se haya lanzado al mercado el último modelo
Sensor de temperatura	Personal profesional de mantenimiento	Al menos 7 años después de que se haya lanzado al mercado el último modelo
Placa de circuito impreso	Personal profesional de mantenimiento	Al menos 7 años después de que se haya lanzado al mercado el último modelo
Fuente de luz	Personal profesional de mantenimiento	Al menos 7 años después de que se haya lanzado al mercado el último modelo
Pomo de la puerta	Reparadores profesionales y usuarios finales	Al menos 7 años después de que se haya lanzado al mercado el último modelo
Bisagras de las puertas	Reparadores profesionales y usuarios finales	Al menos 7 años después de que se haya lanzado al mercado el último modelo
Bandejas	Reparadores profesionales y usuarios finales	Al menos 7 años después de que se haya lanzado al mercado el último modelo
Cestas	Reparadores profesionales y usuarios finales	Al menos 7 años después de que se haya lanzado al mercado el último modelo
Juntas de puertas	Reparadores profesionales y usuarios finales	Al menos 10 años después de que se haya lanzado al mercado el último modelo

Estimado cliente

1. Si desea devolver o sustituir el producto, póngase en contacto con el establecimiento donde lo compró.
(Recuerde traer la factura de compra)
2. Si el producto se avería y necesita reparación, póngase en contacto con el proveedor de servicios pos-venta.

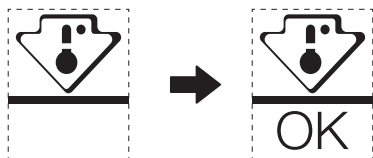
ATENCIÓN

La información sobre el modelo incluida en la base de datos de productos, así como el identificador del modelo, se pueden obtener por un enlace al que se accede escaneando un código QR, de haberlo, en la etiqueta de eficiencia energética del producto. Para obtener más información sobre la eficiencia energética del aparato, visite la página web <https://ec.europa.eu> y búsquelo usando el nombre del modelo. El nombre del modelo puede encontrarse en la etiqueta identificativa del aparato.

Zona más fría del frigorífico

OPCIONAL: Indicador OK de temperatura

- El indicador OK de temperatura puede usarse para determinar temperaturas inferiores a +4°C. Gradualmente, reduzca la temperatura si el signo no «OK».



- Para garantizar la temperatura de esta zona, no cambie el estante de posición. En frigoríficos de aire forzado, (equipados con un ventilador o modelos No Frost), el símbolo de la zona más fría no se representa porque la temperatura en el interior es homogénea.

Configuración del indicador de temperatura

- Para facilitar la correcta configuración del frigorífico, este está equipado con un indicador de temperatura que controlará la temperatura media en la zona más fría.
- ADVERTENCIA: este indicador tiene como finalidad funcionar solo con su frigorífico; no lo use en ningún otro frigorífico (de hecho, la zona más fría no es la misma) o para cualquier otro uso.

Comprobación de la temperatura en la zona más fría

- Con el indicador de temperatura, puede comprobar regularmente que la temperatura de la zona más fría es correcta. De hecho, la temperatura interna del frigorífico depende de varios factores como la temperatura ambiente de la sala, la cantidad de alimentos guardados y la frecuencia de la apertura de la puerta. Tenga en cuenta estos factores cuando configure el aparato.
- Cuando el indicador muestra «OK», el termostato está bien ajustado y la temperatura interna es correcta.
- Si el indicador de temperatura aparece BLANCO, la temperatura es demasiado alta; en este caso, suba la configuración del control de temperatura del frigorífico y espere 12 horas antes de llevar a cabo una nueva inspección visual del indicador. Cuando se introduce comida fresca o se deja la puerta abierta, es posible que el indicador de temperatura aparezca BLANCO al poco tiempo.

NOTA DE AGRADECIMENTO

Muito obrigado por escolher Midea! Antes de utilizar o seu novo produto Midea, leia este manual atentamente para garantir que sabe utilizar as funcionalidades e funções disponibilizadas pelo seu novo aparelho em segurança.

CONTEÚDO

NOTA DE AGRADECIMENTO	01
ESPECIFICAÇÕES	02
APRESENTAÇÃO DO PRODUTO	03
INSTALAÇÃO DO PRODUTO	04
INSTRUÇÕES DE OPERAÇÃO	11
LIMPEZA E MANUTENÇÃO	15
RESOLUÇÃO DE PROBLEMAS	17
APÊNDICE	19

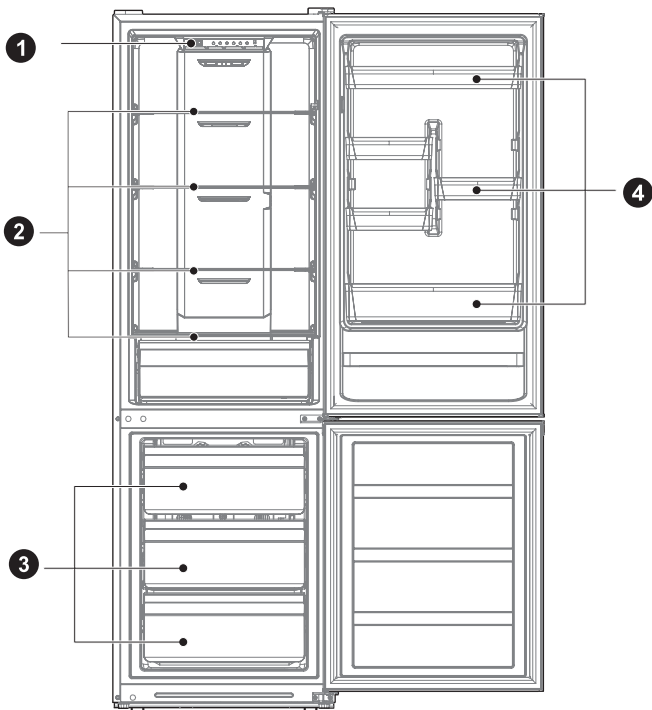
ESPECIFICAÇÕES

Modelo do produto	MDRB424FGE
Volume do compartimento de armazenamento de alimentos frescos	224 L
Volume do armazenamento de alimentos congelados	86 L
Tipo de Descongelação	Descongelação automática
Tempo de Aumento de Temperatura	8h
Capacidade de Congelação	3,9 kg/24h
Tensão/Frequência nominal	220-240V~/50Hz
Corrente Nominal	0,8 A
Dimensão Total (A × L × P)	1880x595x630 mm

PT

APRESENTAÇÃO DO PRODUTO

Nome dos componentes



- 1 Luz LED
- 2 Prateleira

- 3 Gaveta
- 4 Bandeja da porta

● ATENÇÃO

A imagem acima é apenas para referência. A configuração real dependerá do produto físico ou da declaração do distribuidor.

PT

INSTALAÇÃO DO PRODUTO

Instruções de instalação

Para aparelhos de refrigeração com classe climática

- Dependendo da classe climática, este aparelho frigorífico destina-se a ser utilizado nos intervalos de temperatura ambiente, tal como especificado na tabela seguinte.
- A classe climática pode ser encontrada na placa de classificação. O produto pode não funcionar corretamente a temperaturas fora do intervalo especificado.
- Pode encontrar a classe climática na etiqueta do produto.

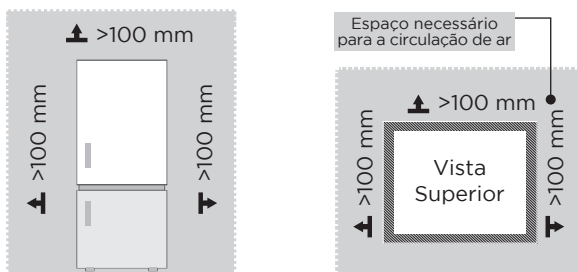
Intervalo efetivo de temperaturas

- O produto é concebido para funcionar normalmente no intervalo de temperaturas especificado pela sua classificação de classe.

Classe	Símbolo	Limite de temperatura ambiente °C	
		IEC 62552 (ISO 15502)	ISO 8561
Temperatura alargada	SN	+10 a +32	+10 a +32
Temperado	N	+16 a +32	+16 a +32
Subtropical	ST	+16 a +38	+18 a +38
Tropical	T	+16 a +43	+18 a +43

Dimensões e espaços

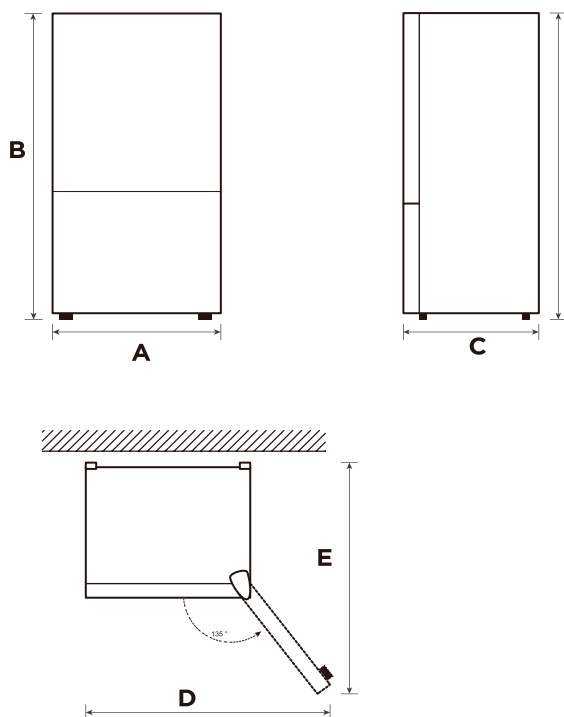
- Uma distância demasiado pequena de itens adjacentes pode resultar na degradação da capacidade de congelação e no aumento dos custos de eletricidade. Permita mais de 100 mm de espaço livre de cada parede adjacente ao instalar o aparelho.



⚠ ATENÇÃO

A imagem acima é apenas para referência. A configuração real dependerá do produto físico ou da declaração do distribuidor.

Diagrama do espaço necessário (com a porta aberta e com a porta fechada)



PT

Largura	Altura total	Profundidade	Largura com portas abertas 135°	Profundidade com portas abertas 135°
A	B	C	D	E
595	1880	630	988	1074

Observação: Todas as dimensões encontram-se em mm

Alteração do lado da porta (esquerdo/direito) (Opcional)

Com base no local onde planeia utilizar o seu frigorífico, poderá achar mais conveniente inverter a posição da porta.

CUIDADO

CUIDADO: Para evitar ferimentos a si próprio ou aos seus bens, recomendamos que alguém o ajude durante o processo de inversão de portas.

Preparar para inverter a posição da porta

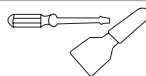
Vai precisar de: Uma chave de parafusos padrão, uma chave de parafusos Phillips, e a chave Allen incluída.

- Certifique-se de que o seu frigorífico está desligado da tomada e vazio.
- Tenha alguém disponível para o assistir no processo.
- Guarde todas as peças que remover para as reutilizar mais tarde.

Ferramentas necessárias para a inversão da porta:



Chave de fendas de estrela



Faca de amassar chave de fendas de lâmina fina



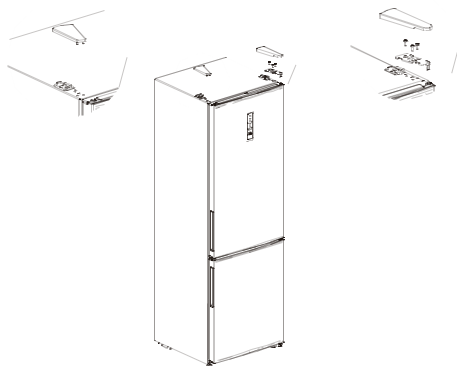
Chave de catraca de 5/16"



Fita adesiva

Passo

1. Desligue o frigorífico e remova todos os objetos das bandejas da porta.
2. Desmonte a tampa superior da dobradiça, desligue os fios de sinal, a dobradiça superior e a tampa do orifício do outro lado, remova a porta de refrigeração.

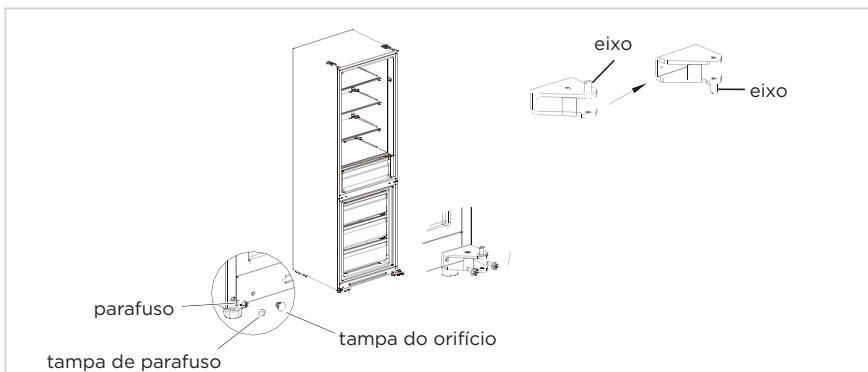


3. Desmonte a dobradiça do meio, os parafusos, as tampas dos orifícios dos parafusos e retire a porta do congelador.

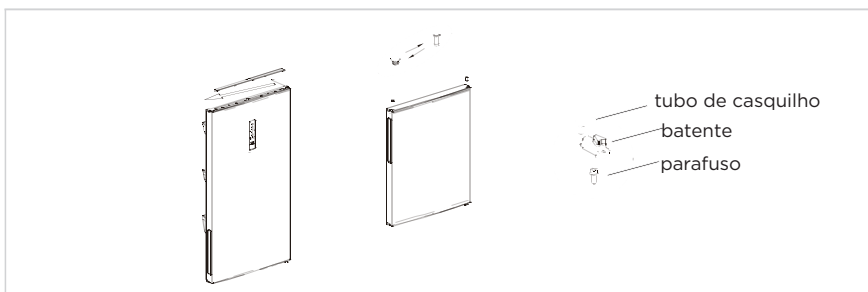


4. Desmontar a dobradiça inferior, as tampas dos orifícios e os parafusos, instalar o eixo da dobradiça inferior do outro lado da dobradiça inferior, depois instalar a dobradiça do outro lado.

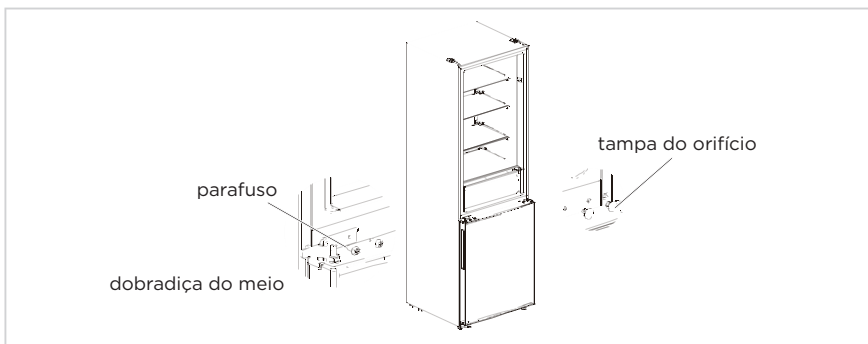
PT



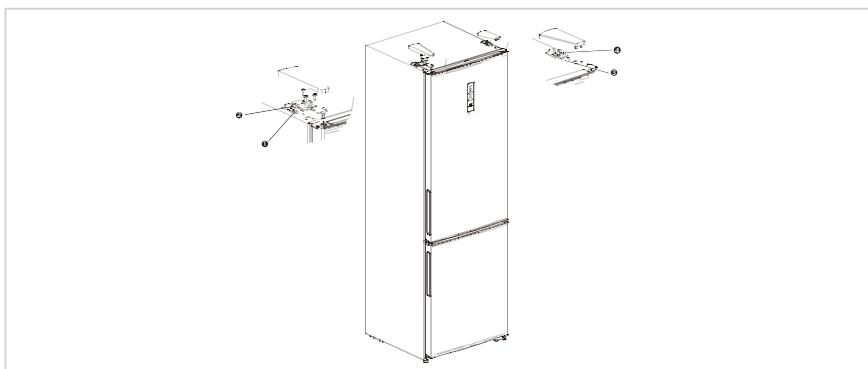
5. Retire os parafusos, o tubo da manga e a rolha na tampa inferior dos dois corpos das portas, e instale-os sucessivamente no outro lado dos corpos das portas (a rolha tem de ser substituída a partir do saco adicional). Em seguida, retire a tampa da extremidade superior da porta do refrigerador e mude o arnês de arame com um tubo de manga para o outro lado do corpo da porta. Por fim, instale o tubo de manga da dobradiça superior da porta do frigorífico no orifício do outro lado da tampa da extremidade superior da porta do frigorífico.



6. Coloque a porta do congelador na dobradiça inferior, instale a dobradiça do meio, os parafusos e as tampas dos orifícios dos parafusos.



7. Coloque o corpo da porta para o compartimento do frigorífico na dobradiça central, depois instale a dobradiça superior no outro lado do armário, por último ligue os terminais 1, 2 para os fios de sinal no lado da dobradiça superior e os terminais 3, 4 no outro lado e cubra a tampa da dobradiça e a tampa do orifício.



● ATENÇÃO

A imagem acima é apenas para referência. A configuração real dependerá do produto físico ou da declaração do distribuidor.

Posicionamento

- Antes da utilização, remova todos os materiais de embalagem, incluindo as almofadas do fundo, as espumas e as fitas no interior do frigorífico; rasgue a película de proteção das portas e do corpo do frigorífico.
- Manter o aparelho afastado do calor e da luz solar direta. Não colocar o congelador em locais húmidos ou com água para evitar o enferrujamento ou a redução do efeito de isolamento.
- Não pulverize nem molhe o frigorífico, não coloque o frigorífico em locais húmidos, onde possa ser salpicado com água, de modo a não afetar as propriedades do isolamento elétrico do frigorífico.
- O frigorífico deve ser colocado num local interior bem ventilado, o piso deve ser plano e resistente (rode a roda para a esquerda ou para a direita para nivelar, se instável).



Pé de nivelamento

Para evitar vibração, a unidade deve estar nivelada.

Se necessário, ajuste os parafusos de nivelamento para compensar o chão desnivelado.

A frente deve estar ligeiramente mais alta que a traseira para ajudar no fechamento da porta.

Os parafusos de nivelamento podem ser rodados facilmente inclinando ligeiramente a unidade.

Rode os parafusos de nivelamento no sentido contrário ao dos ponteiros do relógio  para elevar a unidade e no sentido dos ponteiros do relógio  para os baixar.

Mover o aparelho

1. Retire todos os alimentos do interior do aparelho.
2. Puxe a ficha de alimentação, introduza-a e fixe-a no gancho da ficha de alimentação na parte de trás ou em cima do aparelho.
3. Cole as peças, tais como prateleiras e o puxador da porta, com fita adesiva para evitar que caiam enquanto se desloca o aparelho.
4. Desloque o aparelho com mais de duas pessoas com cuidado. Ao transportar o aparelho numa longa distância, mantenha o aparelho na vertical.
5. Após a instalação do aparelho, ligue a ficha de alimentação a uma tomada para ligar o aparelho.

ATENÇÃO

Precauções antes da operação:

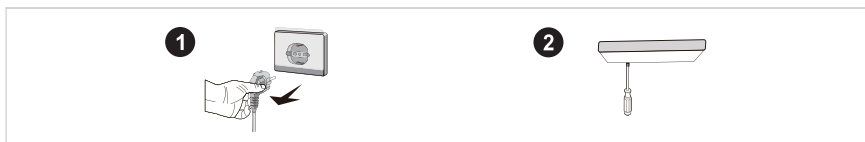
Antes de fazer alterações, o frigorífico deve ser desligado da corrente. Devem ser tomadas precauções para evitar qualquer lesão pessoal.

Substituir a luz

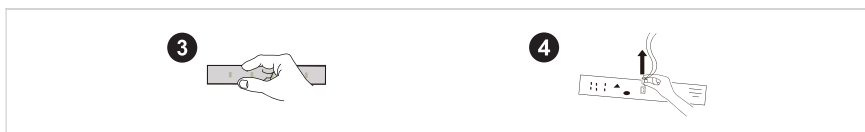
- Qualquer substituição ou manutenção das lâmpadas LED destina-se a ser feita pelo fabricante, seu agente de serviço ou pessoa qualificada similar. Este produto contém uma fonte de luz de classe de eficiência energética <F>.

Passo

1. Retire a ficha da tomada elétrica antes da remoção
2. Remova a cobertura com uma chave de fendas



3. Retire o painel da lâmpada.
4. Retire o terminal de ligação.



PT

Ligar o aparelho

Antes do arranque inicial, manter o frigorífico imóvel durante meia hora antes de o ligar à fonte de alimentação.

● ATENÇÃO

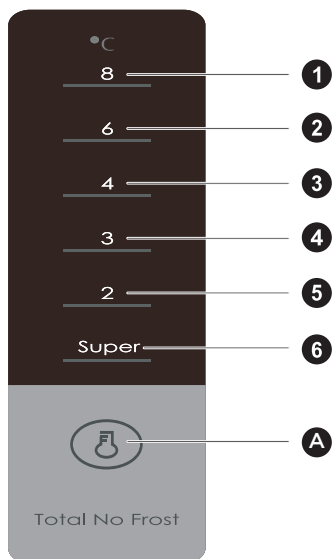
Antes de colocar alimentos frescos ou congelados, o frigorífico deve funcionar vazio durante 2-3 horas, ou mais de 4 horas no verão, quando a temperatura ambiente é mais alta.

Sugestões para poupança energética

- O aparelho deve ser colocado na área mais fresca da divisão, longe de aparelhos que produzam calor, de condutas de aquecimento e da luz solar direta.
- Deixar os alimentos quentes arrefecerem à temperatura ambiente antes de os colocar no aparelho. Sobrecarregar o aparelho força o compressor a trabalhar durante mais tempo. Os alimentos que congelam muito lentamente podem perder qualidade ou estragar-se.
- Assegurara que embrulha devidamente os alimentos e que seca os recipientes antes de os colocar no aparelho. Isto reduz a acumulação de gelo no interior do aparelho.
- O recipiente de armazenamento não deve ser forrado com folha de alumínio, papel de cera ou papel de cozinha. Os revestimentos interferem com a circulação do ar, tornando o aparelho menos eficiente.
- Organizar e rotular os alimentos para reduzir as aberturas da porta e as procuras prolongadas. Retirar o maior número de artigos de uma só vez e fechar a porta o mais rápido possível.

INSTRUÇÕES DE OPERAÇÃO

Painel de controlo



PT

● ATENÇÃO

A imagem acima é apenas para referência. A configuração real dependerá do produto físico ou da declaração do distribuidor.

Principal

A Botão de definição da temperatura

Visor

1	definição da temperatura 1
2	definição da temperatura 2
3	definição da temperatura 3
4	definição da temperatura 4
5	definição da temperatura 5
6	definição da temperatura 6

Visor

Quando ligar o frigorífico, o visor (incluindo a luz principal) brilhará fixamente, durante 3 s e, em seguida, o frigorífico funciona de acordo com a definição de temperatura 3.

Indicação de funcionamento normal

Na ocorrência de alguma falha, a luz LED correspondente apresenta uma indicação combinada do código de falha (no visor de reciclagem);

Se não houver falha, a luz LED mostrará a definição de temperatura existente.

● ATENÇÃO

O painel de controlo real poderá ser diferente consoante o modelo.

Instruções de operação

Ajuste das funções

- A definição da temperatura será alterada uma vez a cada pressão da tecla SET. Em seguida, o frigorífico funcionará de acordo com a nova definição após 15 s.
Definição 1 → Definição 2 → Definição 3 → Definição 4 → Definição 5 → Definição 6 → Definição 1 →

Modo de refrigeração rápida:

- Introduzir: Modo de modulação circulatória de arrefecimento rápido.
- Operar: O indicador de arrefecimento rápido acende, e o frigorífico funciona a 2°C.
- O modo de refrigeração rápida é desativado automaticamente durante 24H.
- A função de refrigeração rápida pode ser usada como função de super congelamento.

Ajuste do botão de amortecimento manual do ar

- Vire o regulador de ar para cima, a temperatura real dentro da área de congelação cairá, vire o regulador de ar para baixo, a temperatura real dentro da área de congelação subirá.

TEMP-CONGELADOR

O MAIS FRIO

|

MAIS FRIO

|

FRIO



Código de erro

- Os seguintes avisos que aparecem no visor indicam avarias correspondentes do frigorífico. Embora o frigorífico ainda possa ter funções de refrigeração e congelação com as seguintes falhas, o utilizador deve contactar um técnico especialista em manutenção, de modo a assegurar a utilização normal do frigorífico.

Código da Anomalia	Descrição da avaria
O LED 1 e LED 2 acesos	Circuito do sensor de temperatura do frigorífico
O LED 1 e LED 3 acesos	Sensor de descongelamento do congelador
O LED 1 e o LED 4 acesos	Sensor de temperatura ambiente

ATENÇÃO

Nota: A função de congelação rápida foi concebida para manter o valor nutricional dos alimentos no congelador. Pode congelar os alimentos no mais curto espaço de tempo. Se uma grande quantidade de alimentos for congelada de uma vez, é recomendado que o utilizador ligue a função de congelação rápida e coloque os alimentos. Neste momento, a velocidade de congelação do compartimento de congelação é aumentada, o que pode congelar rapidamente os alimentos, bloquear eficazmente a nutrição dos alimentos e facilitar o seu armazenamento.

PT

Câmara frigorífica

- A câmara frigorífica é adequada para o armazenamento de uma variedade de frutas, legumes, bebidas e outros alimentos consumidos a curto prazo, tempo de armazenamento sugerido de 3 dias a 5 dias.
- Os alimentos cozinhados não devem ser colocados na câmara de refrigeração até estarem à temperatura ambiente.
- É recomendado selar os alimentos antes de colocá-los no frigorífico.
- As prateleiras de vidro podem ser ajustadas para cima ou para baixo para ter uma quantidade razoável de espaço de armazenamento e facilitar a utilização.

Câmara de congelação

- A baixa temperatura da câmara de congelamento pode manter os alimentos frescos por mais tempo e é utilizada principalmente para armazenar alimentos congelados e fazer gelo.
- A câmara de congelamento é adequada para o armazenamento de carne, peixe, bolas de arroz e outros alimentos que não serão consumidos a curto prazo.
- Os pedaços de carne devem ser divididos, preferencialmente, em pequenos pedaços para congelação rápida e acesso fácil. Ter em atenção que os alimentos devem ser consumidos dentro da validade.

ATENÇÃO

Nota: O armazenamento de muitos alimentos durante o funcionamento após a ligação inicial à corrente pode afetar adversamente o efeito de congelação do frigorífico.

Ordem	TIPO dos compartimentos	Temperatura de armazenamento [°C]	Alimentos apropriados
1	Frigorífico	+2 - +8	Ovos, alimentos cozinhados, alimentos embalados, fruta, vegetais, laticínios, bolos, bebidas e outros alimentos não devem ser congelados.
2	(***)*-Congelador	≤-18	Produtos do mar (peixe, camarão, marisco), produtos aquáticos de água doce e produtos de carne (recomendados para 3 meses, quanto maior o tempo de armazenamento, pior o sabor e a nutrição), adequado para alimentos frescos congelados.
3	***-Congelador	≤-18	Produtos do mar (peixe, camarão, marisco), produtos aquáticos de água doce e produtos de carne (recomendados para 3 meses, quanto maior o tempo de armazenamento, pior o sabor e a nutrição), adequado para alimentos frescos congelados.
4	**-*Congelador	≤-12	Produtos do mar (peixe, camarão, marisco), produtos aquáticos de água doce e produtos de carne (recomendados para 3 meses, quanto maior o tempo de armazenamento, pior o sabor e a nutrição), adequado para alimentos frescos congelados.
5	*-Congelador	≤-6	Produtos do mar (peixe, camarão, marisco), produtos aquáticos de água doce e produtos de carne (recomendados para 3 meses, quanto maior o tempo de armazenamento, pior o sabor e a nutrição), adequado para alimentos frescos congelados.
6	0 estrelas	-6 - 0	Carne fresca de porco, vaca, peixe, frango, alguns alimentos processados embalados, etc. (recomenda-se comer no mesmo dia, de preferência não mais do que 3 dias). Alimentos processados parcialmente embalados (alimentos que não podem ser congelados).
7	Refrigeração	-2 - +3	Carne de porco, vaca, galinha, peixe de água doce congelados/frescos, etc. (7 dias abaixo de 0 °C e acima de 0 °C recomendados para consumo no mesmo dia ou dentro de não mais de 2 dias). Peixe e marisco (abaixo de 0 °C durante 15 dias, não recomendado a armazenamento acima de 0 °C)
8	Alimentos frescos	0 - +4	Carne fresca de porco, vaca, peixe, frango, alimentos cozinhados, etc. (recomenda-se comer no mesmo dia, de preferência não mais do que 3 dias)
9	Vinho	+5 - +20	Vinho tinto, vinho branco, vinho espumante, etc.

ATENÇÃO

guarde os diferentes alimentos de acordo com os compartimentos ou temperatura de armazenamento dos produtos adquiridos.

LIMPEZA E MANUTENÇÃO

Limpeza geral

- O pó e poeira atrás do frigorífico e no chão devem ser limpos para melhorar o efeito de arrefecimento e poupar energia.
- Verificar o vedante da porta regularmente para se certificar que não tem detritos. Limpe o vedante da porta com um pano humedecido com água com sabão ou detergente diluído.
- O interior do frigorífico deve ser limpo regularmente para evitar odores.
- Desligue da corrente antes de limpar o interior, retirar todos os alimentos, bebidas, prateleiras, gavetas, etc.
- Utilize um pano macio ou uma esponja para limpar o interior do frigorífico, com duas colheres de sopa de bicarbonato de soda num litro de água morna. Em seguida, enxaguar com a água e limpar. Depois de limpar, abra a porta e deixe secar naturalmente antes de ligar a alimentação.
- Para as áreas difíceis de limpar no frigorífico (tais como espaços ou cantos estreitos), é recomendado esfregá-las regularmente com um pano macio, uma escova macia, etc. e, quando necessário, combinar com ferramentas auxiliares (como palitos finos) para garantir que não há acumulação de contaminantes ou bactérias nestas áreas.
- Não utilize sabão, detergente, pó para esfregar, detergente em spray, etc., pois estes podem causar odores no interior do frigorífico ou a contaminação de alimentos.
- Limpe o suporte de garrafas, as prateleiras e as gavetas com um pano humedecido com água com sabão ou detergente diluído. Secar com um pano macio ou deixar secar naturalmente.
- Limpe a superfície exterior do frigorífico com um pano humedecido com água com sabão, detergente, etc. e, em seguida, seque.
- Não utilize escovas duras, palha de aço, escovas de arame, produtos abrasivos (tais como pasta de dentes), solventes orgânicos (tais como álcool, acetona, óleo de banana, etc.), água a ferver ou produtos ácidos ou alcalinos, que possam danificar a superfície e o interior do frigorífico. Água a ferver e solventes orgânicos, como benzeno, podem deformar ou danificar as peças plásticas.
- Não passar diretamente por água ou outros líquidos durante a limpeza para evitar curto-circuitos ou afetar o isolamento elétrico depois da imersão.

ATENÇÃO

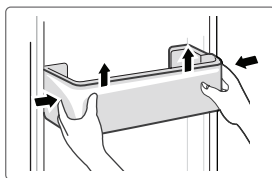
Desligue o frigorífico da tomada para o descongelar e limpar.

Descongelar

- O frigorífico é feito com base no princípio de arrefecimento por ar e, portanto, tem a função de descongelação automática. O gelo formado devido a mudança de estação ou temperatura também pode ser removido manualmente, desligando o aparelho da corrente ou esfregando com uma toalha seca.

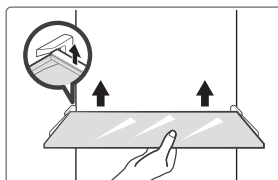
Limpar o tabuleiro da porta

- De acordo com a seta de direção na figura abaixo, usar as duas mãos para apertar o tabuleiro e empurrá-lo para cima para a retirar.
- Após a lavagem do tabuleiro que foi retirado pode ajustar a respetiva altura de instalação de acordo com a sua exigência.



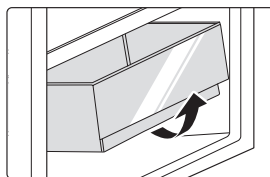
Limpar a prateleiras em vidro

- Como a parte mais interna do forro do frigorífico, onde entra em contacto com as prateleiras, tem um batente, deve levantar as prateleiras para as poder retirar.
- Ajustar ou limpar as prateleiras de acordo com a sua exigência.



Limpar a gaveta dos frescos

1. Remova o conteúdo da gaveta. Segurar a pega da gaveta dos frescos e puxá-la completamente para fora até parar.
2. Levantar a gaveta dos frescos e retirá-la puxando-a para fora.



Fora de serviço

Falha de energia:

Em caso de falha de energia, mesmo no verão, os alimentos dentro do aparelho podem ser mantidos por várias horas; durante uma falha de energia, o número de vezes que a porta é aberta deve ser reduzido e não devem ser postos mais alimentos frescos no aparelho.

Não utilização prolongada:

O aparelho deve ser desligado da tomada e depois limpo; em seguida, as portas são deixadas abertas para evitar odores.

Mover:

Antes de o frigorífico ser movido, retire todos os artigos no interior, fixe as divisórias de vidro, o suporte de legumes, as gavetas da câmara de congelamento, etc. com fita adesiva, aperte os pés de nivelamento, feche as portas e fixe-as com fita adesiva. Ao mover, o aparelho não deve ser virado ao contrário, deitado horizontalmente ou sofrer vibrações; a inclinação durante o deslocamento não deve ser superior a 45°.

● ATENÇÃO

O aparelho deve funcionar ininterruptamente uma vez iniciado. Regra geral, a operação do aparelho não deve ser interrompida, caso contrário, a sua vida útil pode ser prejudicada.

RESOLUÇÃO DE PROBLEMAS

Podem ser solucionados pelo utilizador os seguintes problemas simples. Por favor, contacte o departamento de serviço pós-venda se os problemas não forem resolvidos.

Problema	Motivo possível
Falha de funcionamento	• Verifique se o aparelho está ligado à corrente ou se a ficha está bem ligada
	• Verifique se a tensão é demasiado baixa
	• Verifique se há uma falha de energia ou se alguns circuitos dispararam
Odores	• Os alimentos com odor devem ser bem embrulhados
	• Verifique se há comida estragada
	• Limpe o interior do frigorífico
Funcionamento prolongado do compressor	• O funcionamento prolongado do compressor é normal no verão quando a temperatura ambiente é alta
	• Não é aconselhável colocar muitos alimentos no aparelho ao mesmo tempo
	• Os alimentos devem arrefecer antes de serem colocados no aparelho
	• As portas são abertas com demasiada frequência
A luz não acende	• Verifique se o frigorífico está ligado à rede elétrica e se a luz de iluminação está danificada
	• A lâmpada deve ser substituída por um especialista
A porta não fecha bem	• A porta está presa por embalagens de alimentos.
	• O frigorífico está inclinado.
Ruídos altos	• Verifique se o piso está nivelado e se o frigorífico está colocado de forma estável
	• Verifique se os acessórios estão colocados nos locais apropriados

PT

Problema	Motivo possível
A junta de vedação da porta não está a vedar	<ul style="list-style-type: none"> • Remova matérias estranhas do vedante da porta • Aqueça a vedação da porta e depois arrefeça-a para restauração (utilize um secador elétrico ou utilize uma toalha quente para aquecimento)
O depósito de água transborda	<ul style="list-style-type: none"> • Há demasiados alimentos na câmara ou os alimentos armazenados contêm muita água, resultando numa descongelação profusa • As portas não estão bem fechadas, resultando em gelo, devido à entrada de ar e ao aumento de água derivado da descongelação
Caixa do aparelho	<ul style="list-style-type: none"> • A dissipação de calor do condensador incorporado através da caixa, que é normal quando a caixa se torna quente devido à alta temperatura ambiente, ao armazenamento de demasiados alimentos ou ao encerramento do compressor, proporcionam uma ventilação adequada para facilitar a dissipação de calor
Condensação na superfície	<ul style="list-style-type: none"> • A condensação na superfície exterior e nos vedantes das portas do frigorífico é normal quando a humidade ambiente é demasiado elevada. Simplesmente limpe a condensação com uma toalha limpa.
Ruído anormal	<ul style="list-style-type: none"> • Zumbido: O compressor pode produzir ruídos durante o funcionamento e os ruídos são altos, principalmente no arranque ou paragem. Isto é normal. • Crepitação: O refrigerante a circular dentro do aparelho pode crepitar, o que é normal.

PT

APÊNDICE

Especial para a nova norma europeia

As peças encomendadas na tabela seguinte podem ser adquiridas no canal do fornecedor de serviços

Peça encomendada	Fornecida por	Tempo mínimo necessário para o fornecimento
Termóstatos	Pessoal de manutenção profissional	Pelo menos 7 anos após o último modelo ser lançado no mercado
Sensor de temperatura	Pessoal de manutenção profissional	Pelo menos 7 anos após o último modelo ser lançado no mercado
Placa de circuito impresso	Pessoal de manutenção profissional	Pelo menos 7 anos após o último modelo ser lançado no mercado
Fonte de luz	Pessoal de manutenção profissional	Pelo menos 7 anos após o último modelo ser lançado no mercado
Pega da porta	Reparadores profissionais e utilizadores finais	Pelo menos 7 anos após o último modelo ser lançado no mercado
Dobradiças da porta	Reparadores profissionais e utilizadores finais	Pelo menos 7 anos após o último modelo ser lançado no mercado
Tabuleiros	Reparadores profissionais e utilizadores finais	Pelo menos 7 anos após o último modelo ser lançado no mercado
Cestos	Reparadores profissionais e utilizadores finais	Pelo menos 7 anos após o último modelo ser lançado no mercado
Juntas da porta	Reparadores profissionais e utilizadores finais	Pelo menos 10 anos após o último modelo ser lançado no mercado

PT

Caro(a) cliente

1. Se pretender devolver ou substituir o produto, deve contactar o estabelecimento comercial onde o mesmo foi comprado.

(Lembre-se de trazer a fatura de compra)

2. Se o seu produto não avariar e necessitar de reparação, deve contactar o prestador de serviço pós-venda.

● ATENÇÃO

As informações do modelo na base de dados do produto, bem como o identificador do modelo, podem ser obtidos através de uma ligação digitalizada através de um código QR, se existir, no rótulo de eficiência energética do produto.

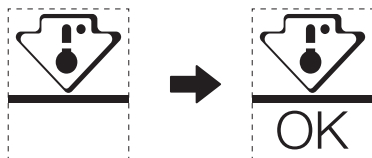
Para mais informações sobre a eficiência energética do aparelho, visite <https://ec.europa.eu> e pesquise usando o nome do modelo.

O nome do modelo pode ser encontrado na etiqueta de classificação do aparelho.

Zona mais fria do frigorífico

OPCIONAL: Indicador de temperatura OK

- O indicador de temperatura OK pode ser utilizado para determinar temperaturas inferiores a +4°C. Reduza gradualmente a temperatura se o sinal não indicar "OK".



- Para garantir a temperatura nesta área, não altere o posicionamento da prateleira. Frigoríficos de ar forçado (equipados com um ventilador ou modelos No Frost), o símbolo da zona mais fria não é representado porque a temperatura no interior é homogênea.

PT

Definição do indicador de temperatura

- Para ajudar a configurar corretamente o seu frigorífico, este está equipado com um indicador de temperatura que monitoriza a temperatura média na zona mais fria.
- AVISO: Este indicador destina-se a funcionar apenas com o seu frigorífico, não o utilize noutro frigorífico (de facto, a zona mais fria não é a mesma), ou para qualquer outra utilização.

Verificar a temperatura na zona mais fria

- Com o indicador de temperatura, pode verificar regularmente se a temperatura da zona mais fria está correta. De facto, a temperatura interna do frigorífico depende de vários fatores tais como a temperatura ambiente da divisão, a quantidade de alimentos armazenados e a frequência de abertura das portas. Tenha estes fatores em consideração ao configurar o aparelho.
- Quando o indicador mostrar «OK», significa que o termóstato está bem regulado e a temperatura interna está correta.
- Se o indicador de temperatura ficar BRANCO, significa que a temperatura está demasiado alta; neste caso, aumente a definição do controlo de temperatura do frigorífico e aguarde 12 horas antes de voltar a inspecionar visualmente o indicador. Quando tiverem sido colocados alimentos frescos ou a porta tiver sido deixada aberta, é possível que o indicador de temperatura fique BRANCO após algum tempo.

ΕΥΧΑΡΙΣΤΙΕΣ

Σας ευχαριστούμε που επιλέξατε την Midea! Πρωτού χρησιμοποιήσετε το νέο σας προϊόν της Midea, διαβάστε προσεκτικά αυτό το εγχειρίδιο για να βεβαιωθείτε ότι γνωρίζετε πώς να χειρίζεστε τις δυνατότητες και τις λειτουργίες που προσφέρει η νέα σας συσκευή με ασφάλεια.

ΠΕΡΙΕΧΟΜΕΝΑ

ΕΥΧΑΡΙΣΤΙΕΣ -----	01
ΠΡΟΔΙΑΓΡΑΦΕΣ -----	02
ΕΠΙΣΚΟΠΗΣΗ ΠΡΟΪΟΝΤΟΣ -----	03
ΕΓΚΑΤΑΣΤΑΣΗ ΠΡΟΪΟΝΤΟΣ -----	04
ΟΔΗΓΙΕΣ ΛΕΙΤΟΥΡΓΙΑΣ -----	11
ΚΑΘΑΡΙΣΜΟΣ ΚΑΙ ΣΥΝΤΗΡΗΣΗ -----	15
ΑΝΤΙΜΕΤΩΠΙΣΗ ΠΡΟΒΛΗΜΑΤΩΝ -----	17
ΠΑΡΑΡΤΗΜΑ -----	19

GR

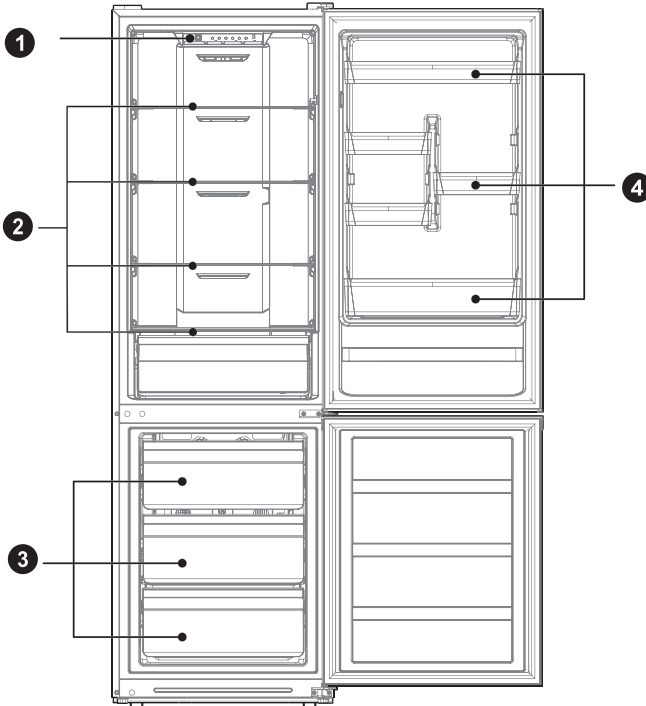
ΠΡΟΔΙΑΓΡΑΦΕΣ

Μοντέλο προϊόντος	MDRB424FGEA
Όγκος φρέσκων τροφίμων	224 L
Όγκος κατεψυγμένων τροφίμων	86 L
Τύπος απόψυξης	Αυτόματη απόψυξη
Χρόνος διατήρησης θερμοκρασίας	8 h
Ικανότητα κατάψυξης	3,9 kg/24h
Όνομαστική τάση/Συχνότητα	220-240V~/50Hz
Όνομαστικό ρεύμα	0,8 A
Συνολικές διαστάσεις (Υ × Π × Β)	1880x595x630 mm

GR

ΕΠΙΣΚΟΠΗΣΗ ΠΡΟΪΟΝΤΟΣ

Όνομασία των εξαρτημάτων



1 Φωτισμός LED

2 Ράφι

3 Συρτάρι

4 Ράφι πόρτας

ΠΡΟΣΟΧΗ

Η παραπάνω εικόνα προορίζεται μόνο για σκοπούς αναφοράς. Η διαμόρφωση εξαρτάται από το εκάστοτε προϊόν ή τη δήλωση του διανομέα.

GR

ΕΓΚΑΤΑΣΤΑΣΗ ΠΡΟΪΟΝΤΟΣ

Οδηγίες εγκατάστασης

Για συσκευές ψύξης με κλιματική κλάση

- Ανάλογα με την κλιματική κλάση, αυτή η ψυκτική συσκευή προορίζεται για χρήση σε εύρος θερμοκρασίας περιβάλλοντος όπως αυτό που καθορίζεται στον ακόλουθο πίνακα.
- Η κλιματική κλάση βρίσκεται στην πινακίδα χαρακτηριστικών. Το προϊόν ενδέχεται να μην λειτουργεί σωστά σε θερμοκρασίες εκτός του καθορισμένου εύρους.
- Μπορείτε να βρείτε την κλιματική κλάση στην ετικέτα του προϊόντος.

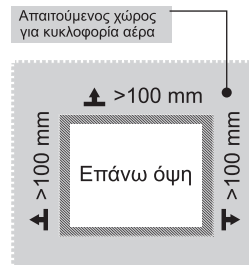
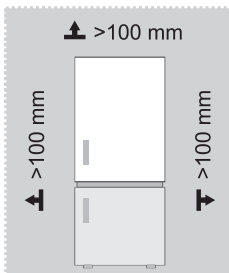
Εύρος θερμοκρασίας λειτουργίας

- Το προϊόν έχει σχεδιαστεί να λειτουργεί κανονικά εντός του εύρους θερμοκρασίας που καθορίζεται από τον βαθμό κλάσης του.

Κατηγορία	Σύμβολο	Εύρος θερμοκρασίας περιβάλλοντος °C	
		IEC 62552 (ISO 15502)	ISO 8561
Εκτεταμένο εύκρατο	SN	+ 10 έως + 32	+ 10 έως + 32
Εύκρατο	N	+ 16 έως + 32	+ 16 έως + 32
Υποτροπικό	ST	+ 16 έως + 38	+ 18 έως + 38
Τροπικό	T	+ 16 έως + 43	+ 18 έως + 43

Διαστάσεις και αποστάσεις

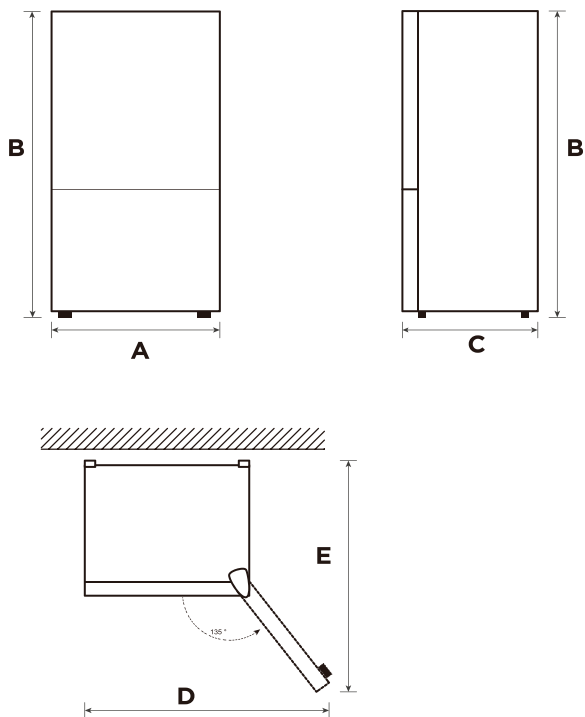
- Οι υπερβολικά μικρές αποστάσεις από παρακείμενα αντικείμενα ενδέχεται να οδηγήσουν σε υποβάθμιση της ικανότητας κατάψυξης και σε αυξημένη κατανάλωση ηλεκτρικής ενέργειας. Κατά την εγκατάσταση της συσκευής, αφήστε απόσταση πάνω από 100 mm από κάθε παρακείμενο τοίχο.



ΠΡΟΣΟΧΗ

Η παραπάνω εικόνα προορίζεται μόνο για σκοπούς αναφοράς. Η διαμόρφωση εξαρτάται από το εκάστοτε προϊόν ή τη δήλωση του διανομέα.

Διάγραμμα απαιτούμενου χώρου (όταν η πόρτα είναι ανοιχτή και όταν η πόρτα είναι κλειστή)



GR

Πλάτος	Συνολικό ύψος	Βάθος	Πλάτος ανοιχτής πόρτας 135°	Βάθος ανοιχτής πόρτας 135°
A	B	C	D	E
595	1880	630	988	1074

Σημείωση: Όλες οι διαστάσεις είναι σε mm

Αλλαγή θέσης πόρτας δεξιά/αριστερά(προαιρετική)

Με βάση τη θέση στην οποία σκοπεύετε να χρησιμοποιήσετε το ψυγείο σας, ενδέχεται να σας βολεύει περισσότερο η αντιστροφή της θέσης της πόρτας.

ΠΡΟΣΟΧΗ

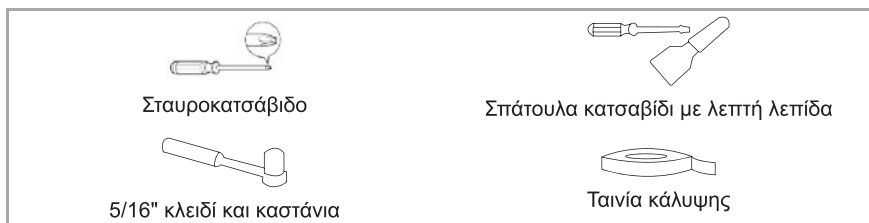
ΠΡΟΣΟΧΗ: Για να αποφύγετε τυχόν τραυματισμό ή υλικές ζημιές, συνιστούμε να σας βοηθήσει κάποιος κατά τη διαδικασία αντιστροφής της πόρτας.

Προετοιμασία για αντιστροφή της θέσης της πόρτας

Θα χρειαστείτε: Ένα ίσιο κατασαβίδι, ένα σταυροκατσάβιδο και το παρεχόμενο κλειδί Allen.

- Βεβαιωθείτε ότι το ψυγείο σας είναι αποσυνδεδεμένο από την πρίζα και άδειο.
- Ζητήστε τη βοήθεια ενός δεύτερου ατόμου για να σας βοηθήσει στη διαδικασία.
- Φυλάξτε όλα τα εξαρτήματα που αφαιρείτε για να τα επαναχρησιμοποιήσετε αργότερα.

Εργαλεία που απαιτούνται για αντιστροφή της πόρτας:

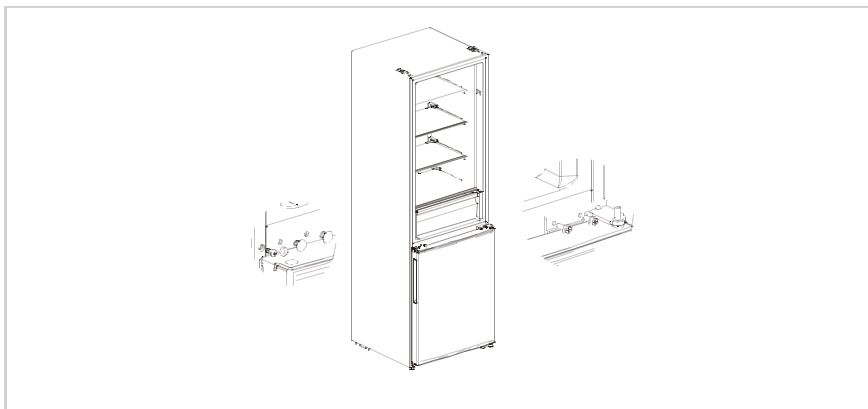


Βήμα

1. Απενεργοποιήστε το ψυγείο και αφαιρέστε όλα τα αντικείμενα από τα ράφια της πόρτας.
2. Αφαιρέστε το κάλυμμα του μεντεσέ, ξεβιδώστε τις βίδες και αφαιρέστε τον μεντεσέ από την άνω δεξιά πλευρά του ψυγείου. Έπειτα αφαιρέστε το κάλυμμα του μεντεσέ από την άνω αριστερή πλευρά του ψυγείου. Τέλος αποσυνδέστε τον σύνδεσμο καλωδίωσης.

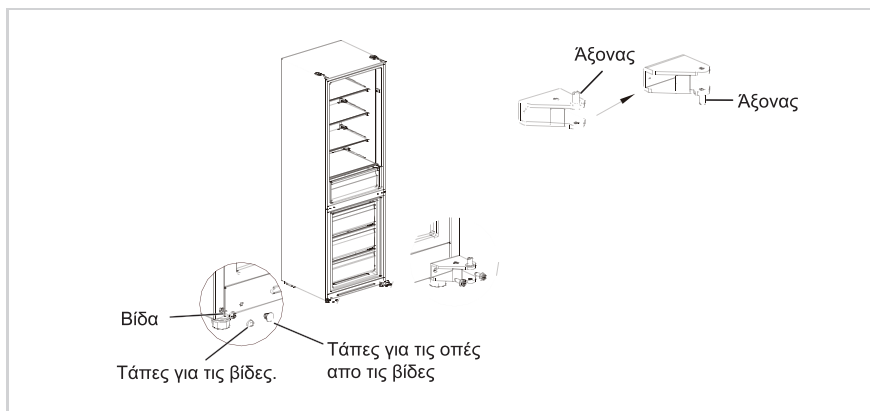


3. Αποσυναρμολογήστε τον μεσαίο μεντεσέ, τις βίδες και τα καλύμματα οπών βίδας και αφαιρέστε την πόρτα του καταψύκτη.

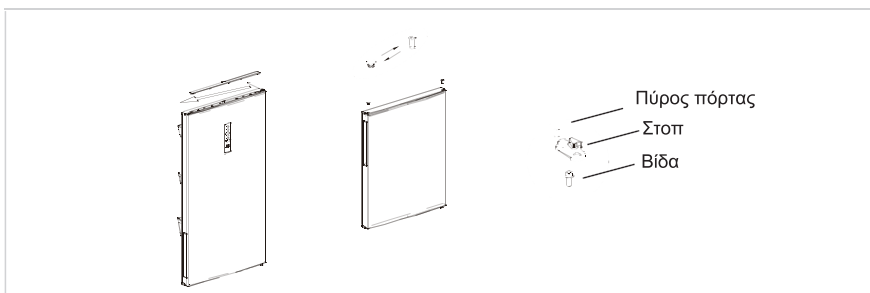


4. Αφαιρέστε τον κάτω μεντεσέ από τη δεξιά πλευρά του ψυγείου ξεβιδώνοντας τις βίδες με ένα καταβίδι. Από την αριστερή πλευρά του ψυγείου θα πρέπει να αφαιρέσετε τις τάπες από τις οπές για τις βίδες. Έπειτα τοποθετήστε τον άξονα του μεντεσέ στην αντίθετη πλευρά του μεντεσέ και τοποθετήστε τον στην αριστερή του θέση.

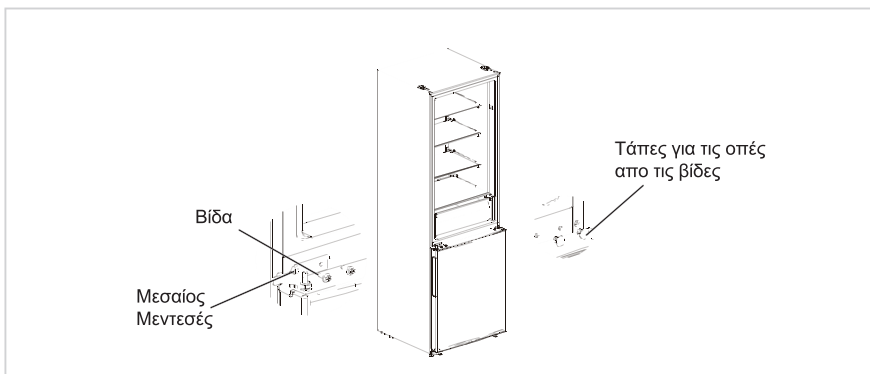
GR



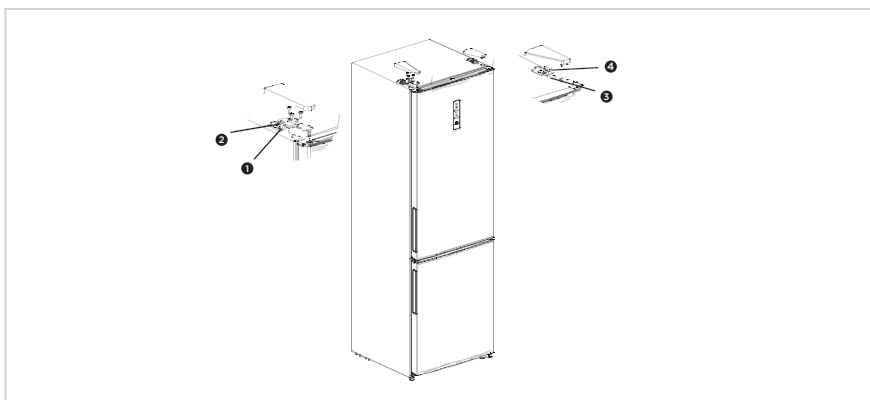
5. Ξεβιδώστε τις βίδες, και αφαιρέστε τον πύρο και το στοπ από το κάλυμμα του κάτω μέρους των δύο πορτών και τοποθετήστε τα στην αντίθετη πλευρά (το στοπ χρειάζεται να αντικατασταθεί από την πρόσθετη συσκευασία). Στη συνέχεια, αφαιρέστε το άνω κάλυμμα της πόρτας του ψυγείου και μεταφέρετε τις καλωδιώσεις στην αντίθετη πλευρά της πόρτας. Τέλος, τοποθετήστε τον πύρο στην πόρτα του ψυγείου.



7. Τοποθετήστε την πόρτα της κατάψυξης στον κάτω μεντεσέ και τοποθετήστε τον μεσαίο μεντεσέ και τις τάπες των οπών.



8. Τοποθετήστε το σώμα πορτών για το διαμέρισμα ψυγείων στη μέση μεντεσέ, κατόπιν εγκαταστήστε την ανώτερη μεντεσέ στην άλλη πλευρά του γραφείου, συνδέστε τελικά τα τερματικά 1, 2 για τα καλώδια σημάτων στην πλευρά του ανώτερου μεντεσέ και τα τερματικά 3, 4 στην άλλη πλευρά και καλύψτε την κάλυψη μεντεσέ και τρύπας.



ΠΡΟΣΟΧΗ

Η παραπάνω εικόνα προορίζεται μόνο για σκοπούς αναφοράς. Η διαμόρφωση εξαρτάται από το εκάστοτε προϊόν ή τη δήλωση του διανομέα.

Τοποθέτηση

- Πριν από τη χρήση, αφαιρέστε όλα τα υλικά συσκευασίας, συμπεριλαμβανομένων των επιθεμάτων του κάτω μέρους, των επιθεμάτων από αφρώδες υλικό και των ταινιών στο εσωτερικό του ψυγείου. Ξεκολλήστε την προστατευτική μεμβράνη από τις πόρτες και το σώμα του ψυγείου.
- Φυλάσσετε μακριά από τη θερμότητα και αποφύγετε το άμεσο ηλιακό φως. Μην τοποθετείτε τον καταψύκτη σε μέρη με υγρασία ή νερά για να αποτρέψετε τη σκουριά ή την υποβάθμιση της μόνωσης.
- Μην πεκάζετε και μην πλένετε το ψυγείο. Μην τοποθετείτε το ψυγείο σε υγρά μέρη όπου εύκολα μπορεί να πιτσιλιστεί με νερό, ώστε να μην επηρεαστεί η ηλεκτρική μόνωση του ψυγείου.
- Το ψυγείο τοποθετείται σε καλά αεριζόμενο εσωτερικό χώρο. Το έδαφος πρέπει να είναι επίπεδο και στιβαρό (περιστρέψτε αριστερά ή δεξιά για να ρυθμίσετε τον τροχό της οριζοντίωσης εάν το ψυγείο είναι ασταθές).



Πόδια οριζοντίωσης

Για την αποφυγή κραδασμών, η μονάδα πρέπει να είναι οριζοντιωμένη.

Εάν απαιτείται, ρυθμίστε τις βίδες οριζοντίωσης για να αντισταθμίσετε τυχόν ανωμαλίες του δαπέδου.

Το μπροστινό μέρος πρέπει να είναι ελαφρώς ψηλότερα από το πίσω μέρος, προκειμένου να διευκολύνεται το κλείσιμο της πόρτας.

Οι βίδες οριζοντίωσης μπορούν να περιστραφούν εύκολα γέροντας ελαφρά τον θάλαμο.

Περιστρέψτε τις βίδες οριζοντίωσης αριστερόστροφα  για να ανυψώσετε τη μονάδα και δεξιόστροφα  για να τη χαμηλώσετε.

Μετακίνηση της συσκευής

1. Αφαιρέστε όλα τα τρόφιμα από τη συσκευή.
2. Αποσυνδέστε το φινις τροφοδοσίας, τοποθετήστε και στερεώστε το στο άγκιστρο του φινις τροφοδοσίας στο πίσω ή στο επάνω μέρος της συσκευής.
3. Ασφαλίστε με κολλητική ταινία τα κινούμενα μέρη, όπως τα ράφια και λαβή της πόρτας, ώστε να μην πέσουν κατά τη μετακίνηση της συσκευής.
4. Μετακινήστε προσεκτικά τη συσκευή με τουλάχιστον από δύο άτομα. Κατά τη μεταφορά της συσκευής σε μεγάλη απόσταση, κρατήστε τη συσκευή σε όρθια θέση.
5. Μετά την εγκατάσταση της συσκευής, συνδέστε το βύσμα τροφοδοσίας σε μια πρίζα για να ενεργοποιήσετε τη συσκευή.

ΠΡΟΣΟΧΗ

Προφυλάξτε πριν από τη λειτουργία:

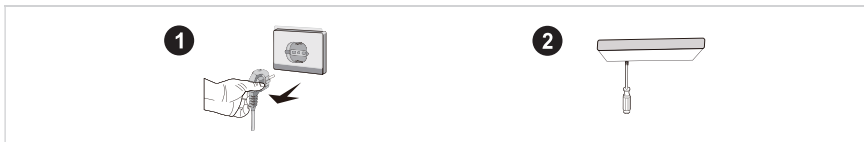
Προτού πραγματοποιήσετε αλλαγές, το ψυγείο πρέπει να αποσυνδεθεί από την τροφοδοσία. Πρέπει να λαμβάνονται προφυλάξεις για την αποφυγή τραυματισμών.

Αλλαγή λυχνίας

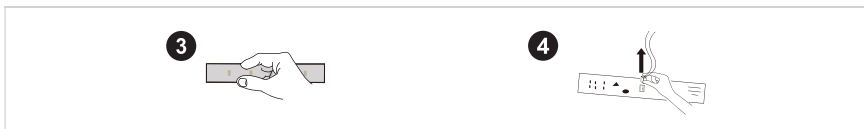
- Οποιαδήποτε αντικατάσταση ή συντήρηση των λυχνιών LED πρέπει να εκτελείται από τον κατασκευαστή, τον αντιπρόσωπο σέρβις ή αντίστοιχα εξουσιοδοτημένα άτομα. Αυτό το προϊόν περιέχει πηγή φωτός ενεργειακής απόδοσης κατηγορίας <F>.

Βήμα

1. Βγάλτε το φινιρίσμα πριν την αφαίρεση.
2. Αφαιρέστε το κάλυμμα της λυχνίας με ένα κατασαβίδι.



3. Κατεβάστε το πάνελ της λάμπας.
4. Αφαιρέστε τον ακροδέκτη σύνδεσης.



Σύνδεση της συσκευής

Πριν από την αρχική εκκίνηση, κρατήστε το ψυγείο ακίνητο για μισή ώρα πριν το συνδέσετε στην παροχή ρεύματος.

● ΠΡΟΣΟΧΗ

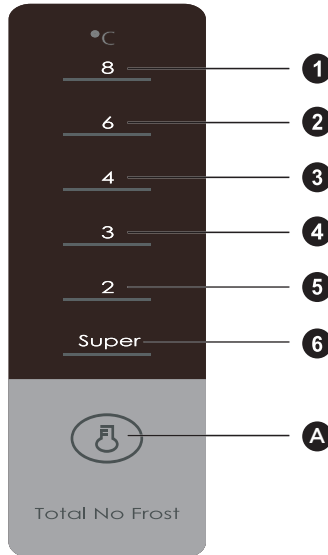
Πριν από την τοποθέτηση φρέσκων ή κατεψυγμένων τροφίμων, το ψυγείο πρέπει να έχει λειτουργήσει για 2-3 ώρες ή για πάνω από 4 ώρες το καλοκαίρι όταν η θερμοκρασία περιβάλλοντος είναι υψηλή.

Συμβουλές εξοικονόμησης ενέργειας

- Η συσκευή πρέπει να βρίσκεται στην πιο δροσερή περιοχή του δωματίου, μακριά από συσκευές παραγωγής θερμότητας ή αγωγούς θέρμανσης και μακριά από το άμεσο ηλιακό φως.
- Αφήστε τα ζεστά τρόφιμα να κρυώσουν σε θερμοκρασία δωματίου πριν τα τοποθετήσετε στη συσκευή. Το υπερβολικό γέμισμα της συσκευής αναγκάζει τον συμπιεστή να λειτουργεί περισσότερο. Τα τρόφιμα που παγώνουν πολύ αργά μπορεί να χάσουν την ποιότητα ή να χαλάσουν.
- Βεβαιωθείτε ότι έχετε τυλίξει σωστά τα τρόφιμα και στεγνώστε τα δοχεία σκουπίζοντάς τα πριν τα τοποθετήσετε στη συσκευή. Αυτό μειώνει τη συσσώρευση παγετού μέσα στη συσκευή.
- Ο κάδος αποθήκευσης της συσκευής δεν πρέπει να είναι επενδεδυμένος με αλουμινοχαρτό, λαδόχαρτο ή χαρτί. Οι επενδύσεις παρεμποδίζουν την κυκλοφορία του κρύου αέρα, καθιστώντας τη συσκευή λιγότερο αποτελεσματική.
- Οργανώστε και επιστημάνετε τα τρόφιμα για να μειώσετε τα ανοίγματα της πόρτας και τις εκτενείς αναζητήσεις. Αφαιρέστε όσο το δυνατόν περισσότερα αντικείμενα χρειάζεστε ταυτόχρονα και κλείστε την πόρτα το συντομότερο δυνατό.

ΟΔΗΓΙΕΣ ΛΕΙΤΟΥΡΓΙΑΣ

Πίνακας ελέγχου



ΠΡΟΣΟΧΗ

Η παραπάνω εικόνα προορίζεται μόνο για σκοπούς αναφοράς. Η διαμόρφωση εξαρτάται από το εκάστοτε προϊόν ή τη δήλωση του διανομέα.

Πλήκτρο

A Κουμπί ρύθμισης θερμοκρασίας

Οθόνη

1	Ρύθμιση θερμοκρασίας 1
2	Ρύθμιση θερμοκρασίας 2
3	Ρύθμιση θερμοκρασίας 3
4	Ρύθμιση θερμοκρασίας 4
5	Ρύθμιση θερμοκρασίας 5
6	Ρύθμιση θερμοκρασίας 6

Οθόνη

Κατά την ενεργοποίηση του ψυγείου, η οθόνη ενδείξεων (συμπεριλαμβανομένης της λυχνίας πλήκτρων) ανάβει πλήρως για 3 δευτερόλεπτα και, στη συνέχεια, το ψυγείο λειτουργεί σύμφωνα με τη ρύθμιση θερμοκρασίας 3.

Ένδειξη κανονικής λειτουργίας

Σε περίπτωση βλάβης, η αντίστοιχη λυχνία LED ανάβει με μία συνδυασμένη εμφάνιση του κωδικού βλάβης (επαναλαμβανόμενη οθόνη).

Εάν δεν υπάρχει σφάλμα, η λυχνία LED εμφανίζει την τρέχουσα ρύθμιση θερμοκρασίας.

ΠΡΟΣΟΧΗ

Ο πραγματικός πίνακας ελέγχου ενδέχεται να διαφέρει ανάλογα με το μοντέλο.

Οδηγίες λειτουργίας

Ρύθμιση επιπέδου

- Η ρύθμιση θερμοκρασίας αλλάζει μία φορά κάθε φορά που πατάτε το πλήκτρο SET. Το ψυγείο μεταβαίνει στη νέα ρύθμιση μετά από 15 δευτ.

Ρύθμιση 1 → Ρύθμιση 2 → Ρύθμιση 3 → Ρύθμιση 4 → Ρύθμιση 5 → Ρύθμιση 6 → Ρύθμιση 1 →

Λειτουργία γρήγορης ψύξης:

- Επιβεβαίωση: Λειτουργία ταχείας ψύξης με διαμόρφωση κυκλοφορίας.
- Λειτουργία: Η ένδειξη ταχείας ψύξης ανάβει και το ψυγείο λειτουργεί στους 2°C.
- Η λειτουργία Γρήγορης ψύξης απενεργοποιείται αυτόματα για 24 ώρες.
- Η λειτουργία γρήγορης ψύξης μπορεί να χρησιμοποιηθεί ως λειτουργία πολύ δυνατής κατάψυξης.

Ρύθμιση χειροκίνητου αεραγωγού

- Γυρίστε το ρυθμιστικό του αεραγωγού προς τα πάνω για να μειώσετε τη θερμοκρασία στο εσωτερικό του θαλάμου κατάψυξης. Γυρίστε το ρυθμιστικό προς τα κάτω για να αυξήσετε τη θερμοκρασία στο εσωτερικό του θαλάμου κατάψυξης.

FREEZER-TEMP

COLDEST

COLDER

COLD



Κωδικός σφάλματος

- Οι ακόλουθες προειδοποιήσεις που εμφανίζονται στην οθόνη υποδεικνύουν αντίστοιχα σφάλματα στο ψυγείο. Αν και μπορεί να διατηρούνται η λειτουργία ψύξης και η λειτουργία κατάψυξης στο ψυγείο με τα παρακάτω σφάλματα, ο χρήστης πρέπει να επικοινωνήσει με έναν ειδικό συντήρησης για συντήρηση, ώστε να διασφαλιστεί η κανονική χρήση του ψυγείου.

Κωδικός σφάλματος	Περιγραφή σφάλματος
Οι λυχνίες LED 1 και LED 2 ανάβουν	Κύκλωμα αισθητήρα θερμοκρασίας ψυγείου
Οι λυχνίες LED 1 και LED 3 ανάβουν	Αισθητήρας απόψυξης καταψύκτη
Οι λυχνίες LED 1 και LED 4 ανάβουν	Αισθητήρας θερμοκρασίας περιβάλλοντος

ΠΡΟΣΟΧΗ

Σημείωση: Η λειτουργία ταχείας κατάψυξης είναι σχεδιασμένη για να διατηρεί τη θρεπτική αξία των τροφίμων στον καταψύκτη. Μπορεί να παγώσει το φαγητό στον συντομότερο δυνατό χρόνο. Εάν θέλετε να καταψύξετε ταυτόχρονα μεγάλη ποσότητα τροφίμων, συνιστάται να ενεργοποιήσετε τη λειτουργία γρήγορης κατάψυξης και να τοποθετήσετε τα τρόφιμα. Σε αυτήν την περίπτωση, η ταχύτητα κατάψυξης του διαμερίσματος κατάψυξης αυξάνεται και μπορεί να παγώσει γρήγορα τα τρόφιμα, να διατηρήσει αποτελεσματικά τη θρεπτική αξία τους και να διευκολύνει τη συντήρησή τους.

GR

Θάλαμος ψύξης

- Ο θάλαμος ψύξης είναι κατάλληλος για τη συντήρηση φρούτων, λαχανικών, ποτών και άλλων τροφίμων που καταναλώνονται βραχυπρόθεσμα - προτεινόμενος χρόνος συντήρησης 3 έως 5 ημέρες.
- Τα μαγειρεμένα τρόφιμα δεν πρέπει να τοποθετούνται στον θάλαμο ψύξης έως ότου κρυώσουν σε θερμοκρασία δωματίου.
- Τα τρόφιμα συνιστάται να σφραγίζονται πριν τοποθετηθούν στο ψυγείο.
- Οι θέσεις των γυάλινων ραφιών είναι μεταβλητές για τοποθέτηση ανάλογα με τις ανάγκες.

Θάλαμος κατάψυξης

- Ο θάλαμος κατάψυξης χαμηλής θερμοκρασίας μπορεί να διατηρήσει τα τρόφιμα φρέσκα για μεγάλο χρονικό διάστημα και χρησιμοποιείται κυρίως για την αποθήκευση κατεψυγμένων τροφίμων και την παραγωγή πάγου.
- Ο θάλαμος κατάψυξης είναι κατάλληλος για να αποθηκεύετε κρέας, ψάρι, μπάλες ρυζιού και άλλα τρόφιμα που δεν καταναλώνονται βραχυπρόθεσμα.
- Τα κομμάτια κρέατος κατά προτίμηση χωρίζονται σε μικρά κομμάτια για γρήγορο πάγωμα και εύκολη πρόσβαση. Λάβετε υπόψη ότι τα τρόφιμα πρέπει να καταναλώνονται εντός του χρόνου αποθήκευσης.

ΠΡΟΣΟΧΗ

Σημείωση: Η συντήρηση υπερβολικής ποσότητας τροφίμων κατά τη λειτουργία μετά την αρχική σύνδεση στο ρεύμα μπορεί να επηρεάσει αρνητικά το ψυκτικό αποτέλεσμα του ψυγείου.

Σειρά	ΤΥΠΟΣ θαλάμων	Στόχος θερμοκρασίας αποθήκευσης [°C]	Κατάλληλα τρόφιμα
1	Ψυγείο	+2 ~ +8	Αυγά, μαγειρεμένα τρόφιμα, συσκευασμένα τρόφιμα, φρούτα και λαχανικά, γαλακτοκομικά προϊόντα, κέικ, ποτά και άλλα τρόφιμα δεν είναι κατάλληλα για κατάψυξη.
2	(***)*-Καταψύκτης	≤-18	Θαλασσινά (ψάρια, γαρίδες, οστρακοειδή), προϊόντα γλυκού νερού και προϊόντα κρέατος (συνιστάται για 3 μήνες, όσο μεγαλύτερος είναι ο χρόνος αποθήκευσης, τόσο χειρότερη είναι η γεύση και η θρεπτική αξία), κατάλληλο για κατεψυγμένα φρέσκα τρόφιμα.
3	***-Καταψύκτης	≤-18	Θαλασσινά (ψάρια, γαρίδες, οστρακοειδή), προϊόντα γλυκού νερού και προϊόντα κρέατος (συνιστάται για 3 μήνες, όσο μεγαλύτερος είναι ο χρόνος αποθήκευσης, τόσο χειρότερη είναι η γεύση και η θρεπτική αξία), κατάλληλο για κατεψυγμένα φρέσκα τρόφιμα.
4	**-Καταψύκτης	≤-12	Θαλασσινά (ψάρια, γαρίδες, οστρακοειδή), προϊόντα γλυκού νερού και προϊόντα κρέατος (συνιστάται για 3 μήνες, όσο μεγαλύτερος είναι ο χρόνος αποθήκευσης, τόσο χειρότερη είναι η γεύση και η θρεπτική αξία), κατάλληλο για κατεψυγμένα φρέσκα τρόφιμα.
5	*-Καταψύκτης	≤-6	Θαλασσινά (ψάρια, γαρίδες, οστρακοειδή), προϊόντα γλυκού νερού και προϊόντα κρέατος (συνιστάται για 3 μήνες, όσο μεγαλύτερος είναι ο χρόνος αποθήκευσης, τόσο χειρότερη είναι η γεύση και η θρεπτική αξία), κατάλληλο για κατεψυγμένα φρέσκα τρόφιμα.
6	0-αστέρια	-6 ~ 0	Φρέσκο χοιρινό, μοσχαρίσιο κρέας, ψάρι, κοτόπουλο, ορισμένα συσκευασμένα επεξεργασμένα τρόφιμα κ.λπ. (Συνιστάται να καταναλώνονται εντός της ίδιας ημέρας, κατά προτίμηση όχι περισσότερο από 3 ημέρες). Επεξεργασμένα τρόφιμα (τρόφιμα χωρίς δυνατότητα κατάψυξης).
7	Ψύξη	-2 ~ +3	Νωπό/κατεψυγμένο χοιρινό, μοσχάρι, κοτόπουλο, προϊόντα γλυκού νερού, κ.λπ. (7 ημέρες κάτω από 0°C και πάνω από 0°C, συνιστάται η κατανάλωση εντός της ίδιας ημέρας, κατά προτίμηση όχι περισσότερο από 2 ημέρες). Θαλασσινά (κάτω από 0 για 15 ημέρες, δεν συνιστάται η αποθήκευση πάνω από 0°C).
8	Νωπά τρόφιμα	0 ~ +4	Φρέσκο χοιρινό, μοσχαρίσιο κρέας, ψάρι, κοτόπουλο, μαγειρεμένα τρόφιμα κ.λπ. (Συνιστάται η κατανάλωση εντός της ίδιας ημέρας, κατά προτίμηση όχι περισσότερο από 3 ημέρες)
9	Κρασί	+5 ~ +20	Κόκκινο κρασί, λευκό κρασί, αφρώδης οίνος κ.λπ.

ΠΡΟΣΟΧΗ

αποθηκεύετε διαφορετικά τρόφιμα ανάλογα με τους θαλάμους ή τον στόχο θερμοκρασίας αποθήκευσης-του προϊόντος που αγοράσατε.

ΚΑΘΑΡΙΣΜΟΣ ΚΑΙ ΣΥΝΤΗΡΗΣΗ

Γενικός καθαρισμός

- Οι σκόνες πίσω από το ψυγείο και στο δάπεδο πρέπει να καθαρίζονται εγκαίρως για να βελτιώνεται το φαινόμενο ψύξης και για εξοικονόμηση ενέργειας.
- Ελέγχετε τακτικά τη φλάντζα της πόρτας για να βεβαιωθείτε ότι δεν υπάρχουν κατάλοιπα. Καθαρίστε το λάστιχο της πόρτας με ένα μαλακό πανί βρεγμένο με σαπουνόνερο ή αραιωμένο απορρυπαντικό.
- Το εσωτερικό του ψυγείου πρέπει να καθαρίζεται τακτικά για να αποφεύγονται οι οσμές.
- Απενεργοποιήστε την παροχή ρεύματος προτού καθαρίσετε το εσωτερικό και αφαιρέστε όλα τα τρόφιμα, τα ποτά, τα ράφια, τα συρτάρια κ.λπ.
- Χρησιμοποιήστε ένα μαλακό πανί ή σφουγγάρι για να καθαρίσετε το εσωτερικό του ψυγείου, με δύο κουταλιές της σούπας μαγειρική σόδα και ένα λίτρο ζεστό νερό. Στη συνέχεια ξεπλύνετε με νερό και σκουπίστε. Μετά τον καθαρισμό, ανοίξτε την πόρτα και αφήστε το ψυγείο να στεγνώσει φυσικά πριν ενεργοποιήσετε το ρεύμα.
- Για περιοχές που είναι δύσκολο να καθαριστούν στο ψυγείο (όπως στενές εγκοπές, κενά ή γωνίες), συνιστάται να τα σκουπίζετε τακτικά με ένα μαλακό πανί, μαλακό πινέλο κ.λπ., και όταν είναι απαραίτητο, σε συνδυασμό με ορισμένα βοηθητικά εργαλεία (όπως λεπτά ραβδιά) για να διασφαλιστεί ότι δεν συσσωρεύονται μολυσματικοί παράγοντες ή βακτήρια σε αυτές τις περιοχές.
- Μην χρησιμοποιείτε σαπούνι, απορρυπαντικό, αποξεστική σκόνη, καθαριστικό ψεκαστικό κ.λπ., καθώς ενδέχεται να προκαλέσουν οσμές στο εσωτερικό του ψυγείου ή να επιμολύνουν τρόφιμα.
- Καθαρίστε το πλαίσιο της φιάλης, τα ράφια και τα συρτάρια με ένα μαλακό πανί βρεγμένο με σαπουνόνερο ή αραιωμένο απορρυπαντικό. Στεγνώστε με ένα μαλακό πανί ή αφήστε να στεγνώσει φυσικά.
- Σκουπίστε την εξωτερική επιφάνεια του ψυγείου με ένα μαλακό πανί εμποτισμένο με σαπουνόνερο, απορρυπαντικό κ.λπ. και, στη συνέχεια, στεγνώστε σκουπίζοντας.
- Μην χρησιμοποιείτε σκληρές βούρτσες, καθαρές χαλύβδινες μπάλες, συρματόβουρτσες, αποξεστικά (όπως οδοντόκρεμες), οργανικούς διαλύτες (όπως οινόπνευμα, ασετόν, λάδι μπανάνας κ.λπ.), βραστό νερό, όξινα ή αλκαλικά στοιχεία, που μπορεί να προκαλέσουν βλάβη στην επιφάνεια και το εσωτερικό του ψυγείου. Το βραστό νερό και οι οργανικοί διαλύτες, όπως η βενζίνη, ενδέχεται να παραμορφώσουν ή να καταστρέψουν τα πλαστικά μέρη.
- Μην ξεπλένετε απευθείας με νερό ή άλλα υγρά κατά τον καθαρισμό για να αποφύγετε βραχυκύκλωμα και να μην επηρεάσετε την ηλεκτρική μόνωση λόγω διαποτισμού.

ΠΡΟΣΟΧΗ

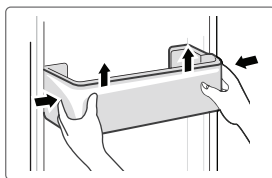
Αποσυνδέστε το ψυγείο για απόψυξη και καθαρισμό.

Απόψυξη

- Το ψυγείο κατασκευάζεται με βάση την αρχή της ψύξης του αέρα και έτσι διαθέτει λειτουργία αυτόματης απόψυξης. Ο παγετός που σχηματίζεται λόγω αλλαγής εποχής ή θερμοκρασίας μπορεί επίσης να αφαιρεθεί χειροκίνητα με αποσύνδεση της συσκευής από την παροχή ρεύματος ή σκουπίζοντας με στεγνή πετσέτα.

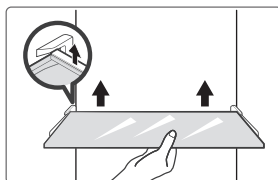
Καθαρισμός ραφιού πόρτας

- Σύμφωνα με το βέλος κατεύθυνσης στο παρακάτω σχήμα, χρησιμοποιήστε και τα δύο χέρια για να συμπίεσετε το ράφι και να το σπρώξετε προς τα πάνω, ώστε να μπορέσετε να το αφαιρέσετε.
- Αφού καθαρίσετε το ράφι που αφαιρέσατε, μπορείτε να προσαρμόσετε το ύψος εγκατάστασής ανάλογα με τις απαιτήσεις σας.



Καθαρισμός γυάλινου ραφιού

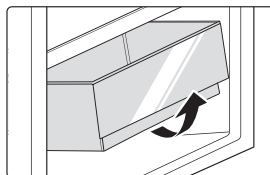
- Δεδομένου ότι το εσωτερικό μέρος της επένδυσης του ψυγείου όπου έρχεται σε επαφή με τα ράφια έχει οπίσθιο στήριγμα, θα πρέπει να σηκώσετε τα ράφια προς τα πάνω, ώστε να μπορέσετε να τα αφαιρέσετε.
- Ρυθμίστε ή καθαρίστε τα ράφια σύμφωνα με τις απαιτήσεις σας.



GR

Καθαρισμός του συρταριού λαχανικών

1. Αφαιρέστε τα περιεχόμενα του συρταριού. Κρατήστε το χερούλι του συρταριού λαχανικών και τραβήξτε το εντελώς προς τα έξω έως ότου να σταματήσει.
2. Σηκώστε το συρτάρι λαχανικών προς τα πάνω και αφαιρέστε το τραβώντας το προς τα έξω.



Διακοπή λειτουργίας

Διακοπή ρεύματος:

Σε περίπτωση διακοπής ρεύματος, ακόμα κι αν είναι το καλοκαίρι, τα τρόφιμα μέσα στη συσκευή μπορούν να διατηρηθούν για αρκετές ώρες. Κατά τη διάρκεια της διακοπής ρεύματος, οι χρόνοι ανοίγματος της πόρτας πρέπει να μειωθούν και δεν θα πρέπει να τοποθετούνται επιπλέον φρέσκα τρόφιμα μέσα στη συσκευή.

Παρατεταμένη διακοπή χρήσης:

Η συσκευή πρέπει να αποσυνδεθεί από το ρεύμα και μετά να καθαριστεί. Στη συνέχεια οι πόρτες αφήνονται ανοιχτές για να αποφευχθεί η δημιουργία οσμών.

Μετακίνηση:

Πριν μετακινηθεί το ψυγείο, βγάλτε όλα τα αντικείμενα από μέσα, στερεώστε τα γυάλινα χωρίσματα, τη φρουτοθήκη, τα συρτάρια του θαλάμου κατάψυξης κ.λπ., με ταινία και σφίξτε τα ποδαράκια οριζοντίωσης. Κλείστε τις πόρτες και στερεώστε τις με ταινία. Κατά τη μετακίνηση, η συσκευή δεν θα πρέπει να τοποθετηθεί ανάποδα, οριζόντια ή να ταρακουνηθεί. Η κλίση κατά τη διάρκεια της μετακίνησης δεν πρέπει να υπερβαίνει τις 45°.

ΠΡΟΣΟΧΗ

Η συσκευή πρέπει να λειτουργεί συνεχώς μετά την εκκίνηση. Γενικά, η λειτουργία της συσκευής δεν πρέπει να διακόπτεται. Διαφορετικά, η διάρκεια ζωής μπορεί να μειωθεί.

ΑΝΤΙΜΕΤΩΠΙΣΗ ΠΡΟΒΛΗΜΑΤΩΝ

Τα παρακάτω απλά ζητήματα μπορούν να επιλυθούν από τον χρήστη. Καλέστε το τμήμα εξυπηρέτησης μετά την πώληση εάν τα προβλήματα παραμένουν.

Πρόβλημα	Πιθανή αιτία
Αποτυχία λειτουργίας	• Ελέγξτε εάν η συσκευή είναι συνδεδεμένη με το ρεύμα ή εάν το φως έχει καλή επαφή
	• Ελέγξτε εάν η τάση είναι πολύ χαμηλή
	• Ελέγξτε εάν υπάρχει διακοπή ρεύματος ή έχουν βραχυκυκλώσει κάποια κυκλώματα
Οσμή	• Τα τρόφιμα με έντονη μυρωδιά πρέπει να τυλίγονται σφιχτά
	• Ελέγξτε εάν έχουν χαλάσει κάποια τρόφιμα
	• Καθαρίστε το εσωτερικό του ψυγείου
Μακροχρόνια λειτουργία του συμπιεστή	• Η μακροχρόνια λειτουργία του ψυγείου είναι φυσιολογική το καλοκαίρι όταν η θερμοκρασία περιβάλλοντος είναι υψηλή
	• Δεν συνιστάται να έχετε υπερβολικά πολλά τρόφιμα μέσα στη συσκευή ταυτόχρονα
	• Τα τρόφιμα πρέπει να κρυώσουν πριν τοποθετηθούν στη συσκευή
Το φως δεν ανάβει	• Οι πόρτες ανοίγουν πολύ συχνά
	• Ελέγξτε εάν το ψυγείο είναι συνδεδεμένο στο ρεύμα και εάν το φως έχει υποστεί ζημιά
	• Ζητήστε από έναν ειδικό να αντικαταστήσει τη λυχνία φωτός
Η πόρτα δεν κλείνει σωστά	• Η πόρτα έχει κολλήσει από συσκευασίες τροφίμων
	• Το ψυγείο είναι κεκλιμένο.
Δυνατός θόρυβος	• Ελέγξτε εάν το δάπεδο είναι επίπεδο και αν το ψυγείο έχει τοποθετηθεί σταθερά
	• Ελέγξτε εάν τα εξαρτήματα έχουν τοποθετηθεί σε κατάλληλες θέσεις

GR

Πρόβλημα	Πιθανή αιτία
Η στεγανοποίηση της πόρτας δεν είναι σφικτή	<ul style="list-style-type: none"> • Αφαιρέστε ξένα σώματα από τη σφράγιση της πόρτας • Θερμάνετε το λάστιχο της πόρτας και, στη συνέχεια, αφήστε το να ψυχθεί για αποκατάσταση (χρησιμοποιήστε ένα σεσουάρ μαλλιών ή μια ζεστή πετσέτα για να το θερμάνετε)
Υπερχείλιση του δίσκου νερού	<ul style="list-style-type: none"> • Υπάρχουν υπερβολικά πολλά τρόφιμα στον θάλαμο ή τα τρόφιμα που αποθηκεύονται περιέχουν πολύ νερό, με αποτέλεσμα έντονη απόψυξη • Οι πόρτες δεν έχουν κλείσει σωστά, με αποτέλεσμα να παγώνουν λόγω εισόδου αέρα και αυξημένου νερού λόγω απόψυξης
Ζεστό περιβάλημα	<ul style="list-style-type: none"> • Απαγωγή θερμότητας του ενσωματωμένου συμπυκνωτή μέσω του περιβλήματος, κάτι που είναι φυσιολογικό. Όταν το περιβάλημα ζεσταθεί λόγω της υψηλής θερμοκρασίας περιβάλλοντος, η αποθήκευση υπερβολικής ποσότητας τροφίμων ή η διακοπή λειτουργίας του συμπιεστή, παρέχετε καλό εξαερισμό για διευκόλυνση της απαγωγής θερμότητας
Επιφανειακή συμπύκνωση υδρατμών	<ul style="list-style-type: none"> • Η συμπύκνωση υδρατμών στην εξωτερική επιφάνεια και τις στεγανοποιήσεις των πορτών του ψυγείου είναι φυσιολογική όταν η υγρασία περιβάλλοντος είναι πολύ υψηλή. Απλώς σκουπίστε την υγρασία με μια καθαρή πετσέτα.
Μη φυσιολογικός θόρυβος	<ul style="list-style-type: none"> • Βόμβος: Ο συμπιεστής μπορεί να παράγει βόμβους κατά τη λειτουργία και οι βόμβοι είναι δυνατοί ιδιαίτερα κατά την εκκίνηση ή τη διακοπή. Αυτό είναι φυσιολογικό. • Τρίξιμο: Το ψυκτικό που ρέει στο εσωτερικό της συσκευής μπορεί να προκαλέσει τρίξιμο, κάτι που είναι φυσιολογικό.

GR

ΠΑΡΑΡΤΗΜΑ

Ειδικό για το νέο ευρωπαϊκό πρότυπο

Τα εξαρτήματα στον παρακάτω πίνακα μπορούν να αποκτηθούν από το δίκτυο τεχνικής εξυπηρέτησης

Εξάρτημα παραγγελίας	Παρέχεται από	Ελάχιστος χρόνος που απαιτείται για παροχή
Θερμοστάτες	Επαγγελματικό προσωπικό συντήρησης	Τουλάχιστον 7 χρόνια μετά την κυκλοφορία του τελευταίου μοντέλου στην αγορά
Αισθητήρες θερμοκρασίας	Επαγγελματικό προσωπικό συντήρησης	Τουλάχιστον 7 χρόνια μετά την κυκλοφορία του τελευταίου μοντέλου στην αγορά
Πλακέτες τυπωμένων κυκλωμάτων	Επαγγελματικό προσωπικό συντήρησης	Τουλάχιστον 7 χρόνια μετά την κυκλοφορία του τελευταίου μοντέλου στην αγορά
Πηγή φωτός	Επαγγελματικό προσωπικό συντήρησης	Τουλάχιστον 7 χρόνια μετά την κυκλοφορία του τελευταίου μοντέλου στην αγορά
λαβές πόρτας	Επαγγελματίες τεχνικοί και τελικοί χρήστες	Τουλάχιστον 7 χρόνια μετά την κυκλοφορία του τελευταίου μοντέλου στην αγορά
Μεντεσέδες πόρτας	Επαγγελματίες τεχνικοί και τελικοί χρήστες	Τουλάχιστον 7 χρόνια μετά την κυκλοφορία του τελευταίου μοντέλου στην αγορά
Ράφια	Επαγγελματίες τεχνικοί και τελικοί χρήστες	Τουλάχιστον 7 χρόνια μετά την κυκλοφορία του τελευταίου μοντέλου στην αγορά
Καλάθια	Επαγγελματίες τεχνικοί και τελικοί χρήστες	Τουλάχιστον 7 χρόνια μετά την κυκλοφορία του τελευταίου μοντέλου στην αγορά
Λάστιχα πόρτας	Επαγγελματίες τεχνικοί και τελικοί χρήστες	Τουλάχιστον 10 χρόνια μετά την κυκλοφορία του τελευταίου μοντέλου στην αγορά

Αγαπητέ πελάτη

1. Εάν θέλετε να επιστρέψετε ή να αντικαταστήσετε το προϊόν, επικοινωνήστε με το κατάστημα αγοράς.

(Θυμηθείτε να φέρετε το τιμολόγιο αγοράς)

2. Εάν το προϊόν σας χαλάσει και πρέπει να επισκευαστεί, επικοινωνήστε με τον πάροχο υπηρεσιών μετά την πώληση.

ΠΡΟΣΟΧΗ

Μπορείτε να λάβετε τις πληροφορίες μοντέλου στη βάση δεδομένων του προϊόντος, καθώς επίσης και το αναγνωριστικό μοντέλου, μέσω μιας ιστοσελίδας, σαρώνοντας τον κωδικό QR, εάν υπάρχει, στην ετικέτα ενεργειακής απόδοσης του προϊόντος.

Για περισσότερες πληροφορίες σχετικά με την ενεργειακή απόδοση της συσκευής, επισκεφθείτε τη διεύθυνση <https://ec.europa.eu> και αναζητήστε χρησιμοποιώντας το όνομα του μοντέλου.

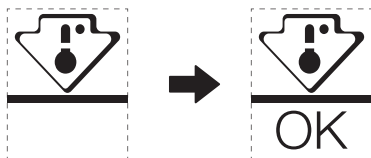
Το όνομα μοντέλου βρίσκεται στην ετικέτα αξιολόγησης της συσκευής.

GR

Η ψυχρότερη ζώνη στο ψυγείο

ΠΡΟΑΙΡΕΤΙΚΑ: Ένδειξη θερμοκρασίας OK

- Η ένδειξη θερμοκρασίας OK μπορεί να χρησιμοποιηθεί για τον προσδιορισμό θερμοκρασιών κάτω από τους +4°C. Μειώστε σταδιακά τη θερμοκρασία εάν η ένδειξη δεν είναι «OK».



- Για να διασφαλίσετε τη θερμοκρασία σε αυτή την περιοχή, μην αλλάζετε τη θέση του ραφιού. Στα ψυγεία ροής αέρα (εξοπλισμένα με ανεμιστήρα ή μοντέλα No Frost) το σύμβολο της ψυχρότερης ζώνης δεν απεικονίζεται, επειδή η θερμοκρασία στο εσωτερικό είναι ομοιόμορφη.

Ρύθμιση ένδειξης θερμοκρασίας

- Για διευκόλυνση της σωστής ρύθμισης, το ψυγείο σας είναι εξοπλισμένο με μια ένδειξη θερμοκρασίας που παρακολουθεί τη μέση θερμοκρασία της ψυχρότερης ζώνης.
- ΠΡΟΕΙΔΟΠΟΙΗΣΗ: Αυτή η ένδειξη προορίζεται μόνο για λειτουργία με το ψυγείο σας, μην τη χρησιμοποιείτε σε άλλο ψυγείο (στην πραγματικότητα, η ψυχρότερη ζώνη δεν είναι η ίδια) ή για οποιαδήποτε άλλη χρήση.

Έλεγχος της θερμοκρασίας στην ψυχρότερη ζώνη

- Με την ένδειξη θερμοκρασίας, μπορείτε να ελέγχετε τακτικά ότι η θερμοκρασία της ψυχρότερης ζώνης είναι σωστή. Πράγματι, η εσωτερική θερμοκρασία του ψυγείου εξαρτάται από διάφορους παράγοντες, όπως η θερμοκρασία περιβάλλοντος του χώρου, η ποσότητα των αποθηκευμένων τροφίμων και η συχνότητα ανοίγματος της πόρτας. Λάβετε υπόψη σας αυτούς τους παράγοντες κατά τη ρύθμιση της συσκευής.
- Όταν η ένδειξη είναι «OK», σημαίνει ότι ο θερμοστάτης είναι ρυθμισμένος κατάλληλα και η θερμοκρασία στο εσωτερικό είναι σωστή.
- Εάν η ένδειξη της θερμοκρασίας γίνει ΛΕΥΚΗ, αυτό σημαίνει ότι η θερμοκρασία είναι πολύ υψηλή- σε αυτή την περίπτωση, αυξήστε τη ρύθμιση ελέγχου της θερμοκρασίας του ψυγείου και περιμένετε 12 ώρες προτού πραγματοποιήσετε νέο οπτικό έλεγχο της ένδειξης. Εάν έχουν τοποθετηθεί φρέσκα τρόφιμα ή η πόρτα έχει μείνει ανοιχτή, ενδέχεται να χρειαστεί λίγος χρόνος έως ότου η ένδειξη της θερμοκρασίας να γίνει ΛΕΥΚΗ.

LIST Z PODZIĘKOWANIEM

Dziękujemy za wybranie produktu Midea! Przed użyciem nowego produktu firmy Midea dokładnie zapoznaj się z niniejszą instrukcją, aby mieć pewność, że wiesz, jak bezpiecznie korzystać z funkcji oferowanych przez nowe urządzenie.

SPIS TREŚCI

LIST Z PODZIĘKOWANIEM	01
SPECYFIKACJA	02
PRZEGLĄD PRODUKTU	03
INSTALACJA PRODUKTU	04
INSTRUKCJA OBSŁUGI	11
CZYSZCZENIE I KONSERWACJA	15
ROZWIĄZYWANIE PROBLEMÓW	17
DODATEK	19

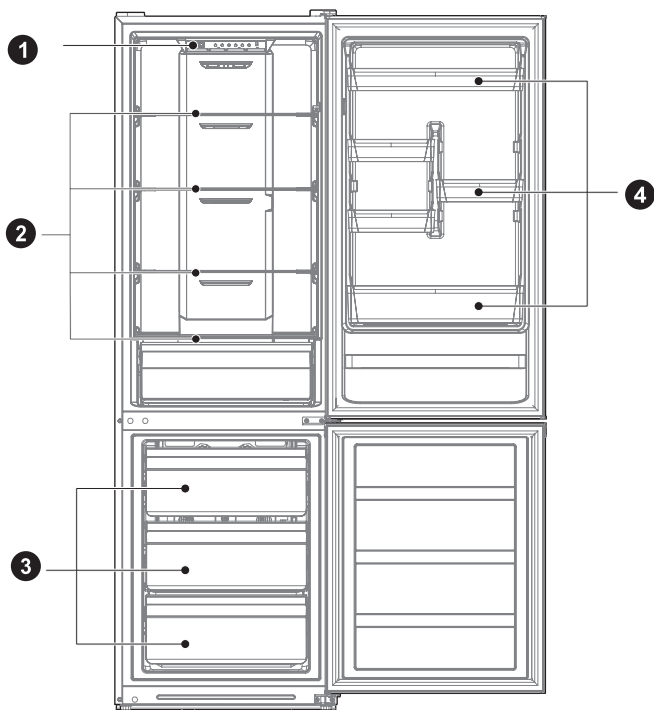
PL

SPECYFIKACJA

Model produktu	MDRB424FGE
Pojemność komory na żywność świeżą	224 L
Pojemność komory na mrożonki	86 L
Procedura rozmrażania	Rozmrażanie automatyczne
Czas wzrostu temperatury	8 godz.
Zdolność zamrażania	3,9 kg/24 godz.
Napięcie znamionowe/częstotliwość	220-240V~/50Hz
Natężenie znamionowe	0,8 A
Wymiary ogólne (W × S × G)	1880x595x630 mm

PRZEGLĄD PRODUKTU

Elementy



1 Oświetlenie LED

2 Półka

3 Szuflada

4 Balkonik na drzwi

UWAGA

Powyższa ilustracja ma charakter poglądowy. Rzeczywista konfiguracja zależy od modelu bądź zamówienia dystrybutora

PL

INSTALACJA PRODUKTU

Instrukcja instalacji

Dla urządzeń chłodniczych z oznaczoną klasą klimatyczną

- W zależności od klasy klimatycznej niniejsze urządzenie chłodnicze jest przeznaczone do użytku w zakresach temperatur otoczenia podanych w poniższej tabeli.
- Klasę klimatyczną można znaleźć na tabliczce znamionowej. Produkt może nie działać prawidłowo w temperaturach spoza określonego zakresu.
- Klasę klimatyczną można znaleźć na etykiecie produktu.

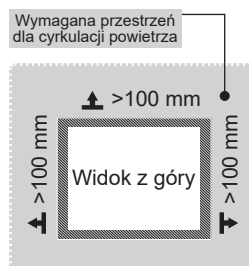
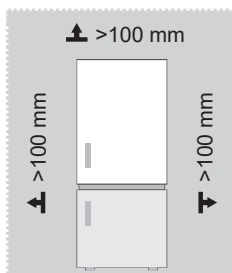
Zakres temperatury otoczenia

- Lodówka została zaprojektowana do pracy w zakresie temperatur określonym przez jej klasę znamionową.

Klasa	Symbol	Zakres temperatury otoczenia (°C)	
		IEC 62552 (ISO 15502)	ISO 8561
Rozszerzona umiarkowana	SN	+10°C do +32°C	+10°C do +32°C
Umiarkowana	N	+16°C do +32°C	+16°C do +32°C
Subtropikalna	ST	+16°C do +38°C	+18°C do +38°C
Tropikalna	T	+16°C do +43°C	+18°C do +43°C

Wymiary i odstępy

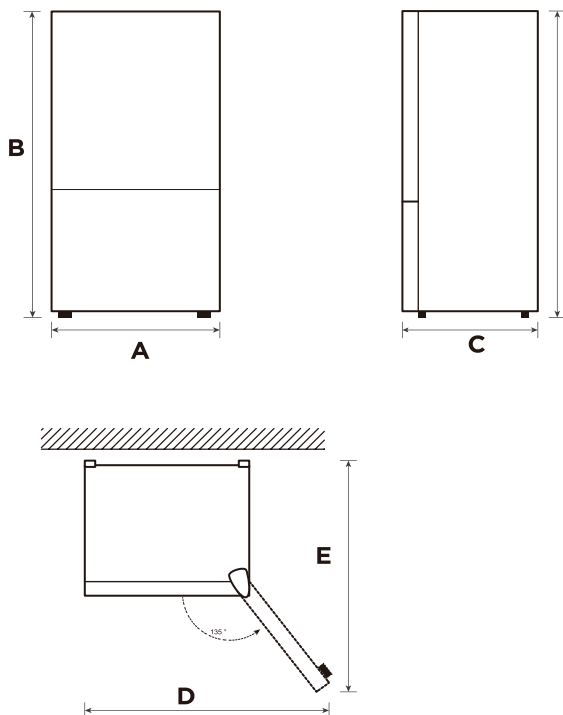
- Zbyt mały odstęp od pobliskich przedmiotów może spowodować obniżenie skuteczności mrożenia i zwiększenie kosztu energii elektrycznej. Podczas instalacji należy zapewnić ponad 100 mm odstępu od ścian wokół urządzenia.



UWAGA

Powyższa ilustracja ma charakter poglądowy. Rzeczywista konfiguracja zależy od modelu bądź zamówienia dystrybutora

Schemat wymogów przestrzennych (gdy drzwi są otwarte i gdy drzwi są zamknięte)



PL

Szerokość	Wysokość ogólna	Głębokość	Szerokość, drzwi otwarte do 135°	Głębokość, drzwi otwarte do 135°
A	B	C	D	E
595	1880	630	988	1074

Uwaga: Wszystkie wymiary w mm

Zmiana kierunku otwierania drzwi (opcjonalna)

W zależności od miejsca, gdzie lodówka będzie ustawiona, może zająć konieczność zmiany kierunku otwierania drzwi.

PRZESTROGA

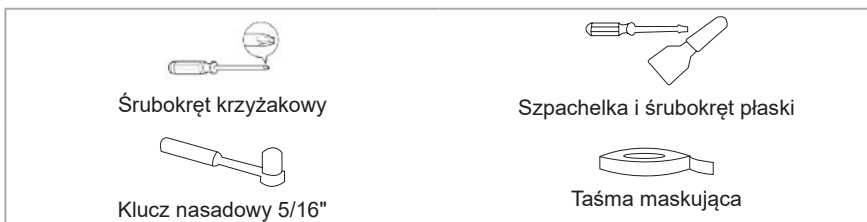
PRZESTROGA: Aby uniknąć obrażeń ciała lub szkód materialnych, zalecamy zorganizowanie drugiej osoby do pomocy w procedurze zmiany kierunku otwierania drzwi.

Przygotowanie do zmiany kierunku otwierania drzwi

Przygotować: Standardowy wkrętak, wkrętak krzyżakowy oraz dołączony klucz imbusowy.

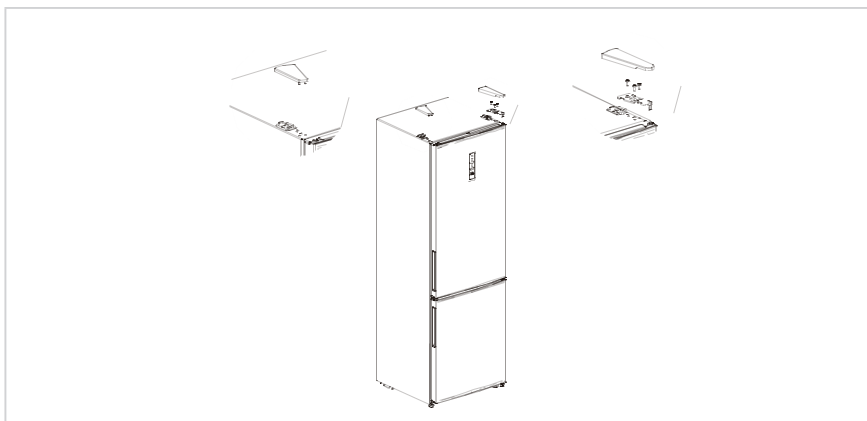
- Upewnić się, że lodówka jest odłączona i że jest pusta.
- Skorzystać z pomocy drugiej osoby.
- Zachować wszystkie demontowane elementy, żeby można było użyć ich później.

Narzędzia potrzebne do przełożenia drzwi:



Krok

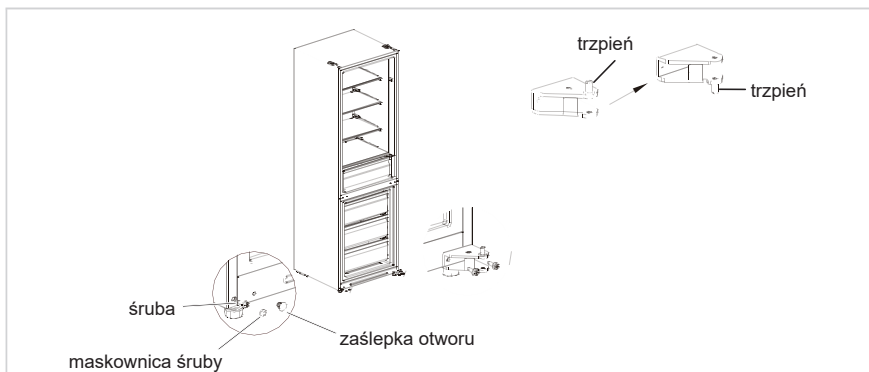
1. Wyłączyć lodówkę i wyjąć wszystkie przedmioty z balkoników na drzwiach.
2. Zdemontować maskownicę górnego zawiasu, rozłączyć przewody sygnałowe, zdemontować górny zawias i zaślepkę otworu po drugiej stronie. Zdjąć drzwi lodówki.



3. Zdemontować środkowy zawias, wykręcić śruby, zdemontować zaślepki otworów śrub i zdemontować drzwi zamrażarki.

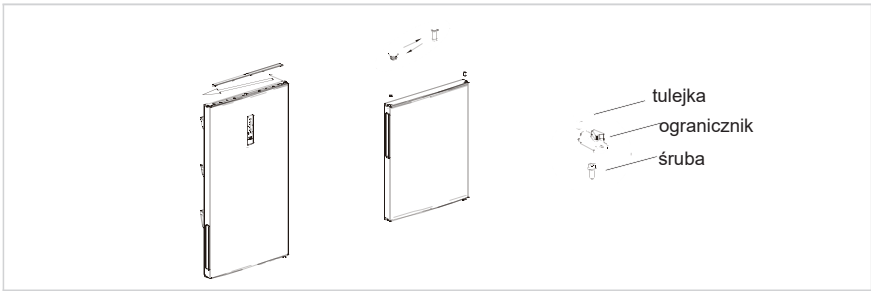


4. Zdemontować dolny zawias, zaślepki otworów i wykręcić śruby, zamontować trzpień dolnego zawiasu z drugiej strony dolnego zawiasu, a następnie zamontować zawias z drugiej strony.

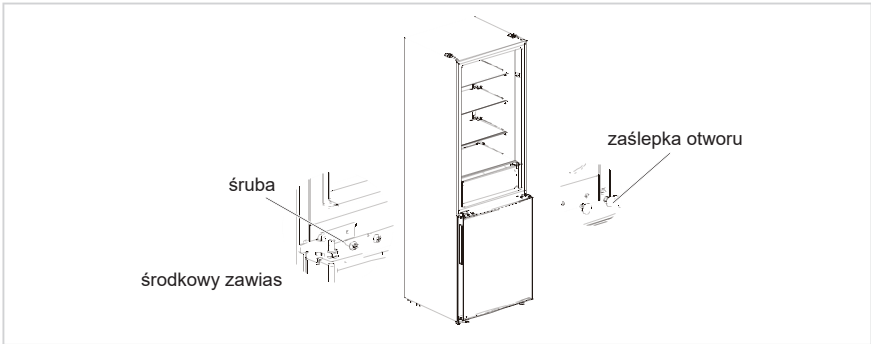


PL

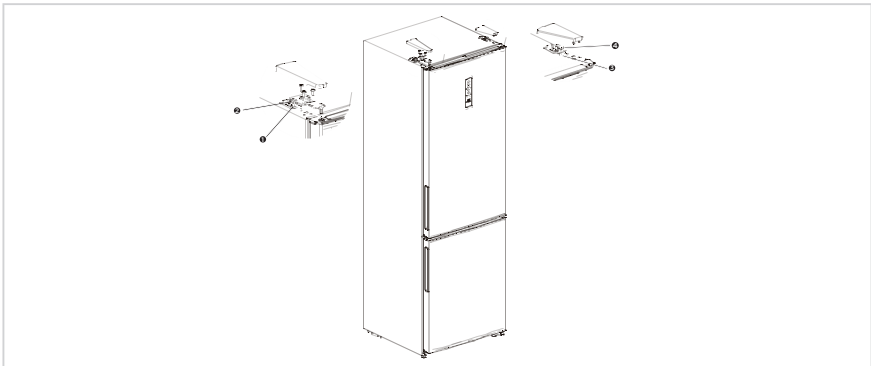
5. Wykręcić śruby, wyjąć tulejkę oraz ogranicznik z pokrywy dolnej krawędzi obojga drzwi, a następnie zamontować je po drugiej stronie drzwi (ogranicznik należy wymienić na ogranicznik z torebki z akcesoriami). Następnie zdjąć pokrywę górnej krawędzi drzwi lodówki i przełożyć obudowę przewodów oraz tulejkę na przeciwną stronę drzwi. Na koniec zamontować tulejkę górnego zawiasu na drzwiach lodówki w otworze po drugiej stronie pokrywy górnej krawędzi drzwi lodówki.



6. Założyć drzwi zamrażarki na dolny zawias, zamontować środkowy zawias, śruby i zaślepki otworów śrub.



7. Umieścić drzwi komory chłodziarki na środkowym zawiasie, następnie zamontować górny zawias po drugiej stronie komory, na koniec połączyć złącza 1, 2 przewodów sygnałowych po stronie górnego zawiasu oraz złącza 3, 4 po drugiej stronie i założyć maskownicę zawiasu oraz zaślepkę otworu.



UWAGA

Powyższa ilustracja ma charakter poglądowy. Rzeczywista konfiguracja zależy od modelu bądź zamówienia dystrybutora.

Miejsce pracy

- Przed użyciem urządzenia należy usunąć wszystkie elementy opakowania w tym dolne poduszki, podkładki z pianki i taśmy znajdujące się wewnątrz chłodziarki; należy również zerwać folię ochronną z drzwi i obudowy lodówki.
- Przechowywać z dala od ognia i unikać miejsc bezpośrednio nasłonecznionych. Nie umieszczać zamrażarki w miejscu wilgotnym lub w pobliżu wody, aby zapobiec rdzewieniu i pogorszeniu skuteczności izolacji.
- Nie rozpylać na lodówkę cieczy ani nie myć lodówki; nie umieszczać lodówki w miejscach wilgotnych, gdzie może zostać zachłapana wodą, która może spowodować utratę właściwości izolacyjnych podzespołów elektrycznych lodówki.
- Ustaw chłodziarkę w dobrze wentylowanym pomieszczeniu. Podłoże powinno być płaskie i solidne (jeśli jest niestabilne, wyreguluj nóżki obracając kółkami w prawo lub lewo w celu wypoziomowania urządzenia).



Nóżki poziomujące

Aby zapobiec wibracjom, należy wypoziomować urządzenie.

W razie potrzeby wyregulować śruby poziomujące, aby skompensować nierówności podłoża.

Przód powinien być lekko uniesiony względem tyłu, aby zamykanie drzwi było łatwiejsze.

Aby ułatwić sobie przekręcanie śrub poziomujących, należy lekko pochylić urządzenie.

Obracać śruby poziomujące w lewo , aby podnieść urządzenie lub w prawo , aby urządzenie obniżyć.

PL

Przemieszczanie urządzenia

1. Wyjąć wszystkie produkty z urządzenia.
2. Odłączyć wtyczkę zasilającą urządzenia od gniazda, umieścić i zablokować ją w uchwycie na wtyczkę z tyłu urządzenia lub na jego wierzchu.
3. Przymocować za pomocą taśmy samoprzylepnej elementy, takie jak półki i rączka drzwiczek, aby zapobiec ich wypadnięciu podczas przemieszczania urządzenia.
4. Urządzenie powinny przemieszczać dwie osoby, zachowując najwyższą ostrożność. Gdy urządzenie jest przemieszczane na dużą odległość, należy utrzymywać je w położeniu pionowym.
5. Po instalacji na miejscu podłączyć wtyczkę zasilającą do gniazda, aby włączyć urządzenie.

UWAGA

Środki ostrożności przed regulacją:

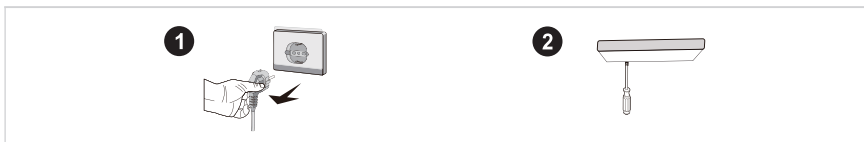
Przed wprowadzeniem zmian należy odłączyć lodówkę od zasilania. Zachować ostrożność, aby zapobiec obrażeniu ciała.

Wymiana źródła światła

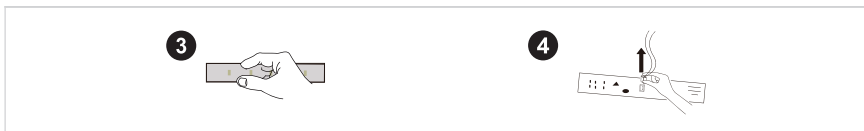
- Wymiana lub konserwacja lamp LED powinna być wykonana przez producenta, podległy mu serwis lub podobny profesjonalny punkt usługowy. Urządzenie jest wyposażone w źródło światła o klasie wydajności energetycznej <F>.

Krok

1. Przed demontażem odłączyć od źródła zasilania.
2. Klosz zdjąć za pomocą śrubokręta



3. Zdjęcie panelu lampy.
4. Odłączenie wtyczki przewodu zasilającego.



Podłączanie urządzenia

Przed pierwszym uruchomieniem i podłączeniem do źródła zasilania należy odstawić lodówkę na przynajmniej pół godziny.

UWAGA

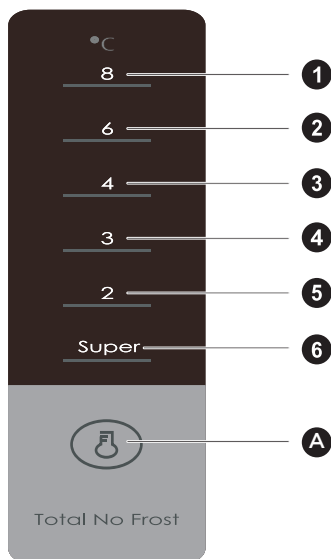
Chłodziarkę należy uruchomić 2-3 godziny przed umieszczeniem w niej jakichkolwiek produktów spożywczych; latem 4 godziny, jeśli temperatura otoczenia jest wysoka.

Wskazówki na temat oszczędzania energii

- Urządzenie należy umieścić w najchłodniejszym miejscu w pomieszczeniu, z dala od urządzeń generujących ciepło lub kanałów ciepłego powietrza, w miejscu, które nie jest bezpośrednio nasłonecznione.
- Gorące potrawy należy wystudzić do temperatury pokojowej zanim zostaną umieszczone w urządzeniu. Umieszczenie w urządzeniu zbyt dużej ilości produktów wymusza dłuższą pracę sprężarki. Żywność, która jest zamrażana zbyt wolno może stracić walory smakowe lub ulec zepsuciu.
- Przed umieszczeniem produktów spożywczych w urządzeniu pamiętaj o ich prawidłowym zawinięciu i wytarciu pojemników do sucha. Pozwala to ograniczyć gromadzenie się lodu wewnątrz urządzenia.
- Pojemników wewnątrz urządzenia nie należy wykładać folią aluminiową, woskowanym papierem ani papierowymi ręcznikami. Materiały tego typu zakłócają obieg zimnego powietrza, przez co urządzenie staje się mniej wydajne.
- Należy dbać o prawidłowe układanie żywności i jej oznakowanie, aby zredukować częstotliwość otwierania drzwi oraz skrócić czas poszukiwania danego produktu. Należy za jednym otwarciem drzwi wyjąć możliwie jak najwięcej produktów i zamknąć drzwi tak szybko jak to możliwe.

INSTRUKCJA OBSŁUGI

Panel sterowania



PL

UWAGA

Powyższa ilustracja ma charakter poglądowy. Rzeczywista konfiguracja zależy od modelu bądź zamówienia dystrybutora.

Przyciski

A	Przycisk ustawiania temperatury
---	---------------------------------

Ekran wyświetlacza

1	1 ustawienie temperatury
2	2 ustawienie temperatury
3	3 ustawienie temperatury
4	4 ustawienie temperatury
5	5 ustawienie temperatury
6	6 ustawienie temperatury

Wyświetlacz

Po włączeniu lodówki wyświetlacz (w tym podświetlenie przycisku) włączy się na 3 s, a lodówka zacznie działać z 3 ustawieniem temperatury.

Wyświetlacz zwykłej pracy

Gdy wystąpi błąd, odpowiednia dioda oznajmi kod błędu (na zmiennym wyświetlaczu);

Gdy nie ma błędu, dioda wskazuje aktualne ustawienie temperatury.

UWAGA

Panel sterowania może wyglądać nieco inaczej w zależności od modelu.

Instrukcja obsługi

Ustawianie trybu pracy

- Ustawienie temperatury zmienia się po każdym naciśnięciu przycisku konfiguracji. Następnie, po 15 sekundach, lodówka rozpocznie pracę z nowym ustawieniem temperatury.

Ustawienie 1 → Ustawienie 2 → Ustawienie 3 → Ustawienie 4 → Ustawienie 5 → Ustawienie 6 → Ustawienie 1 →

Tryb szybkiego chłodzenia:

- Uruchomienie: wybór trybu szybkiego chłodzenia.
- Działanie: włącza się wskaźnik szybkiego chłodzenia, a lodówka utrzymuje temperaturę 2°C.
- Tryb szybkiego chłodzenia zostanie automatycznie wyłączony po 24 godzinach.
- Funkcja szybkiego chłodzenia może być używana jako funkcja intensywnego zamrażania.

Regulacja ręcznego pokrętła przepustnicy powietrza

- Po przestawieniu suwaka przepustnicy powietrza do góry, temperatura wewnątrz zamrażarki spadnie, przestawienie suwaka przepustnicy powietrza na dół spowoduje wzrost temperatury w zamrażarce.

FREEZER-TEMP

NAJNIŻSZA



NIŻSZA



NISKA



Kod błędu

- Poniższe ostrzeżenia, które pojawiają się na wyświetlaczu oznaczają błędy lodówki. Wystąpienie błędu nie zawsze oznacza utratę funkcji chłodzenia lub zamrażania, mimo to należy zawsze skontaktować się z serwisem, aby zapewnić prawidłową pracę urządzenia.

Kod błędu	Opis błędu
Dioda LED 1 i dioda LED 2 włączone	Obwód czujnika temperatury lodówki
Dioda LED 1 i dioda LED 3 włączone	Czujnik rozmrażania zamrażarki
Dioda LED 1 i dioda LED 4 włączone	Czujnik temperatury otoczenia

UWAGA

Uwaga: Funkcja szybkiego mrożenia pozwala zachować wartości odżywcze żywności - przechowywanej w zamrażarce. Umożliwia ona zamrożenie żywności w najkrótszym możliwym czasie. Jeżeli równocześnie mrożona będzie duża ilość żywności, zalecane jest włączenie funkcji szybkiego mrożenia i włożenie żywności. Spowoduje to zwiększenie szybkości zamrażania przez komorę zamrażarki, dzięki czemu nastąpi szybkie zamrożenie żywności, z zachowaniem wartości odżywczych, co sprzyja przechowywaniu żywności.

Komora chłodziarki

- Komora chłodziarki jest przeznaczona do przechowywania owoców, warzyw, napojów i innych produktów żywnościowych, które zostaną skonsumowane w krótkim czasie. Sugerowany czas przechowywania to 3 do 5 dni.
- Przygotowane potrawy można umieszczać w chłodziarce dopiero po ich całkowitym wystygnięciu (temperatura pokojowa).
- Zaleca się szczelne opakowanie żywności umieszczanej w chłodziarce.
- Szklane półki można umieścić wyżej lub niżej, aby dostosować dostępną przestrzeń do umieszczonej żywności i zwiększyć wygodę użytkownika.

Komora zamrażarki

- Komora zamrażarki umożliwia zachowanie świeżości żywności przez długi czas. Służy ona głównie do przechowywania mrozonek i wytwarzania lodu.
- Komora zamrażarki umożliwia przechowywanie mięsa, ryb, kulek ryżowych i innej żywności, która nie będzie konsumowana w najbliższym czasie.
- Mięso należy podzielić na mniejsze porcje, aby umożliwić szybkie mrożenie i ułatwić użytkowanie. Żywność należy spożytkować przed upłynięciem terminu przydatności do spożycia.

UWAGA

Uwaga: Umieszczenie zbyt dużej ilości produktów spożywczych po pierwszym podłączeniu urządzenia do zasilania może niekorzystnie wpłynąć na efektywność zamrażania.

Zamów	Przegroda RODZAJ	Docelowa temp. przechowywania [°C]	Odpowiednia żywność
1	Lodówka	+2 ~ +8	Jajka, żywność gotowana, żywność pakowana, owoce i warzywa, produkty nabiałowe, ciasta, napoje i inna żywność, której nie można mrozić.
2	(***)*-Zamrażarka	≤-18	Owoce morza (ryby, krewetki, małże), produkty rybne słodkowodne i mięso (zalecany czas przechowywania to 3 miesiące, im dłuższy czas przechowywania tym gorszy smak i wartości odżywcze), możliwość mrożenia świeżej żywności.
3	***-Zamrażarka	≤-18	Owoce morza (ryby, krewetki, małże), produkty rybne słodkowodne i mięso (zalecany czas przechowywania to 3 miesiące, im dłuższy czas przechowywania tym gorszy smak i wartości odżywcze), możliwość mrożenia świeżej żywności.
4	**Zamrażarka	≤-12	Owoce morza (ryby, krewetki, małże), produkty rybne słodkowodne i mięso (zalecany czas przechowywania to 3 miesiące, im dłuższy czas przechowywania tym gorszy smak i wartości odżywcze), możliwość mrożenia świeżej żywności.
5	*Zamrażarka	≤-6	Owoce morza (ryby, krewetki, małże), produkty rybne słodkowodne i mięso (zalecany czas przechowywania to 3 miesiące, im dłuższy czas przechowywania tym gorszy smak i wartości odżywcze), możliwość mrożenia świeżej żywności.
6	0 gwiazdek	-6 ~ 0	Świeża wieprzowina, wołowina, ryby, kurczak, przetworzona żywność pakowana itp. (Zalecane spożycie w ciągu bieżącego dnia, przechowywanie nie dłużej niż 3 dni). Częściowo utrwalona żywność przetworzona (żywność, której nie można mrozić).
7	Schładzanie	-2 ~ +3	Świeża/mrożona wieprzowina, wołowina, kurczak, ryby słodkowodne itp. (7 dni poniżej 0°C, a powyżej 0°C zaleca się zużycie w ciągu bieżącego dnia; nie przechowywać dłużej niż 2 dni). Owoce morza (mniej niż 0 przez 15 dni, nie zaleca się przechowywania powyżej 0°C).
8	Świeża żywność	0 ~ +4	Świeża wieprzowina, wołowina, ryby, kurczak, żywność gotowana itp. (Zalecane spożycie w ciągu bieżącego dnia, przechowywanie nie dłużej niż 3 dni).
9	Wino	+5 ~ +20	Wino czerwone, wino białe, wino musujące itp.

UWAGA

żywność należy przechowywać w odpowiednich przegrodach lub zgodnie z oznaczeniem na opakowaniu.

CZYSZCZENIE I KONSERWACJA

Czyszczenie ogólne

- Należy regularnie usuwać kurz gromadzący się za lodówką. Pozwoli to poprawić wydajność chłodzenia i oszczędzić energię.
- Należy regularnie sprawdzać uszczelki w drzwiach i upewnić się, że nie są zabrudzone. Uszczelkę w drzwiach należy czyścić miękką szmatką zwilżoną wodą z mydłem lub rozcieńczonym detergentem.
- Wnętrze lodówki należy regularnie czyścić, aby zapobiec powstawaniu nieprzyjemnych woni.
- Przed czyszczeniem należy wyłączyć zasilanie, usunąć wszystkie produkty żywnościowe i napoje, wyjąć półki, szuflady itp.
- Do czyszczenia wnętrza chłodziarki używać miękkiej ściereczki lub gąbki oraz roztworu dwóch łyżek stołowych sody oczyszczonej rozpuszczonych w kwarcie ciepłej wody. Przetrzeć czystą wodą. Po czyszczeniu, zanim włączone zostanie zasilanie, otworzyć drzwi i poczekać, aż urządzenie wyschnie.
- W przypadku przestrzeni w chłodziarce, które trudno jest wyczyścić (takich jak wąskie przestrzenie, szczeliny lub narożniki), zaleca się ich regularne przecieranie miękką szmatką, miękką szczotką, a gdy jest taka potrzeba narzędziem pomocniczym (na przykład cienkim patyczkiem). Pozwoli to zapobiec gromadzeniu się w tych przestrzeniach zanieczyszczeń i bakterii.
- Nie używać mydła, detergentów, proszków do szorowania, środków czyszczących w sprayu itp., gdyż mogą one spowodować skażenie żywności lub utrzymywanie się we wnętrzu chłodziarki silnego zapachu.
- Półkę na butelki, półki i szuflady należy czyścić miękką szmatką zwilżoną wodą z mydłem lub rozcieńczonym detergentem. Osuszyć za pomocą miękkiej szmatki lub pozostawić do wyschnięcia.
- Zewnętrzne powierzchnie lodówki przecierać miękką szmatką zwilżoną wodą z mydłem, detergentem itp., a następnie wytrzeć do sucha.
- Nie używać twardych szczotek, wełny stalowej, szczotek drucianych, środków ściernych (takich jak pasta do zębów), rozpuszczalników organicznych (takich jak alkohol, aceton, olej z bananów itp.), wrzącej wody, środków kwasowych lub zasadowych, gdyż mogą one uszkodzić wewnętrzne lub zewnętrzne powierzchnie lodówki. Wrząca woda i rozpuszczalniki organiczne, takie jak benzen, mogą spowodować odkształcenie elementów z tworzyw sztucznych.
- Podczas czyszczenia nie płukać urządzenia bezpośrednio wodą lub innymi płynami, aby uniknąć zwarcia lub naruszenia izolacji poprzez jej zawilgocenie.

UWAGA

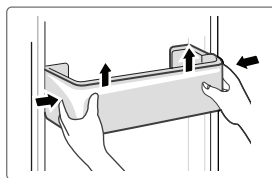
Na czas czyszczenia i rozmrażania lodówka powinna być wyłączona.

Odszranianie

- Lodówka działa na zasadzie chłodzenia powietrzem, dlatego posiada funkcję automatycznego rozmrażania. Lód gromadzący się z powodu zmiany warunków otoczenia lub temperatury można usunąć ręcznie, odłączając urządzenie od zasilania lub poprzez przetarcie suchym ręcznikiem.

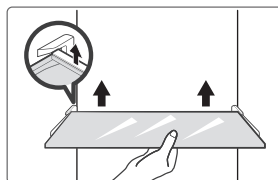
Czyszczenie balkoników drzwiowych

- Ścisnąć obiema dłońmi balkonik w kierunku wskazanym na poniższym obrazku przez strzałki i pchnąć go do góry, aby go wyjąć.
- Po umyciu wyjętego balkonika można umieścić go na dowolnej wysokości.



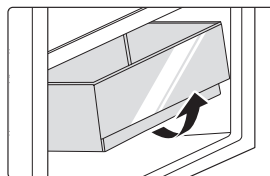
Czyszczenie szklanych półek

- W tylnej części półki znajduje się wypust blokujący dlatego, aby wyjąć półkę, należy ją unieść.
- Wyczyścić i wyregulować półki zgodnie z zapotrzebowaniem.



Czyszczenie szuflady na warzywa

1. Wyjąć zawartość szuflady. Chwycić za rączkę szuflady na warzywa i wysunąć ją całkowicie, do oporu.
2. Unieść szufladę na warzywa i wyjąć ją, wyciągając.



Gdy urządzenie nie działa

Awaria zasilania:

W razie awarii zasilania, nawet latem, temperatura żywności przechowywanej w urządzeniu będzie zachowana przez kilka godzin. Podczas przerwy w dostawie energii elektrycznej należy ograniczyć częstotliwość otwierania drzwi lodówki i nie należy umieszczać w niej dodatkowej nieschłodzonej żywności.

Długa przerwa w korzystaniu z urządzenia:

urządzenie należy odłączyć od zasilania, a następnie wyczyścić. Pozostawić otwarte drzwi, aby zapobiec powstawaniu nieprzyjemnych zapachów.

Przemieszczanie:

przed przemieszczeniem lodówki należy wyjąć z niej wszystkie produkty żywnościowe, za pomocą taśmy samoprzylepnej przymocować szklane elementy wyposażenia wewnętrznego, pojemnik na warzywa, szuflady komory zamrażarki i skrócić nożyki poziomujące, a następnie okleić je taśmą. Podczas przemieszczania urządzenie nie może być obrócone do góry dnem ani ułożone poziomo. Urządzenia nie należy poddawać wstrząsom. Przemieszczanego urządzenia nie należy pochylać o więcej niż 45°.

● UWAGA

Po uruchomieniu urządzenie powinno działać bez przerw. Praca urządzenia nie powinna być zakłócana, gdyż może to spowodować skrócenie żywotności urządzenia.

ROZWIĄZYWANIE PROBLEMÓW

Poniższe proste w rozwiązaniu problemy użytkownik może usunąć samodzielnie. Jeśli problemy nie zostaną rozwiązane, należy skontaktować się z działem serwisu posprzedażowego.

Problem	Prawdopodobna przyczyna
Nie działa	<ul style="list-style-type: none">• Sprawdzić, czy urządzenie jest podłączone do zasilania oraz czy wtyczka jest poprawnie podłączona
	<ul style="list-style-type: none">• Sprawdzić, czy napięcie jest odpowiednio wysokie
	<ul style="list-style-type: none">• Sprawdzić, czy zasilanie działa lub czy nie doszło do wyłączenia obwodu zasilającego
Nieprzyjemna woń	<ul style="list-style-type: none">• Żywność wydzielającą intensywną woń należy szczelnie opakować
	<ul style="list-style-type: none">• Sprawdzić, czy żywność zepsuła się
	<ul style="list-style-type: none">• Wyczyścić wnętrze lodówki
Przedłużająca się praca sprężarki	<ul style="list-style-type: none">• Długa praca lodówki jest zjawiskiem normalnym w lecie, kiedy występują wysokie temperatury
	<ul style="list-style-type: none">• Nie zaleca się przechowywania dużej ilości żywności
	<ul style="list-style-type: none">• Żywność należy wystudzić przed umieszczeniem jej w lodówce
	<ul style="list-style-type: none">• Drzwi otwierane są zbyt często
Oświetlenie nie włącza się	<ul style="list-style-type: none">• Sprawdzić, czy urządzenie jest podłączone do źródła zasilania i czy źródło światła jest sprawne
	<ul style="list-style-type: none">• Zlecić wymianę źródła światła specjalście
Nie można prawidłowo zamknąć drzwi	<ul style="list-style-type: none">• Drzwi blokowane są przez umieszczoną żywność
	<ul style="list-style-type: none">• Lodówka jest przechylona.
Głośne hałasy	<ul style="list-style-type: none">• Sprawdzić, czy posadzka jest równa i czy lodówka stoi stabilnie
	<ul style="list-style-type: none">• Sprawdzić, czy akcesoria znajdują się na swoich miejscach

PL

Problem	Prawdopodobna przyczyna
Uszczelka drzwi jest rozciągnięta	<ul style="list-style-type: none"> • Usunąć ciała obce znajdujące się na uszczelce • Podgrzać uszczelkę drzwi i schłodzić ją, aby przywrócić jej kształt (użyć suszarki elektrycznej lub gorącego ręcznika)
Przelewanie się wody w zbiorniku	<ul style="list-style-type: none"> • W komorze znajduje się zbyt dużo żywności lub żywność zawiera zbyt dużo wody co skutkuje intensywnym odszranianiem. • Drzwi nie są poprawnie zamknięte, co powoduje powstawanie szronu pod wpływem przedostawania się do wnętrza ciepłego powietrza. Roztopianie szronu skutkuje pojawianiem się nadmiernej ilości wody
Ciepła obudowa	<ul style="list-style-type: none"> • Odprowadzanie ciepła wbudowanego skraplacza przez obudowę; jest to zjawisko normalne. Gdy obudowa rozgrzewa się do wysokich temperatur z powodu wysokiej temperatury otoczenia, umieszczenia zbyt dużej ilości żywności lub wyłączenia się sprężarki, należy zapewnić odpowiednią wentylację, która umożliwi odprowadzenie ciepła
Skraplanie się wody na powierzchni	<ul style="list-style-type: none"> • Skroplenie się wody na powierzchni zewnętrznej i uszczelkach drzwi jest zjawiskiem normalnym, gdy wilgotność powietrza jest wysoka. Skroploną wodę można wytrzeć czystym ręcznikiem.
Niestandardowe odgłosy	<ul style="list-style-type: none"> • Brzęczenie: Pracująca sprężarka może brzęczeć zwłaszcza podczas uruchamiania i wyłączania się. Jest to zjawisko normalne. • Trzaski: Chłodziwo krążące w urządzeniu może wydawać dźwięki przypominające trzaski. Jest to zjawisko normalne.

DODATEK

Wymagania dotyczące nowych standardów Europejskich

Części zamawiane z poniższej tabeli można uzyskać za pośrednictwem kanału serwisowego.

Zamówiona część	Dostarczana przez	Minimalny wymagany czas dostępności
Termostaty	Profesjonalny personel serwisowy	Przynajmniej 7 lat od wprowadzenia na rynek ostatniego modelu
Czujnik temperatury	Profesjonalny personel serwisowy	Przynajmniej 7 lat od wprowadzenia na rynek ostatniego modelu
Płytką drukowaną	Profesjonalny personel serwisowy	Przynajmniej 7 lat od wprowadzenia na rynek ostatniego modelu
Źródło światła	Profesjonalny personel serwisowy	Przynajmniej 7 lat od wprowadzenia na rynek ostatniego modelu
Uchwyt drzwiczek	Profesjonalne serwisy i użytkownicy końcowi	Przynajmniej 7 lat od wprowadzenia na rynek ostatniego modelu
Zawiasy drzwi	Profesjonalne serwisy i użytkownicy końcowi	Przynajmniej 7 lat od wprowadzenia na rynek ostatniego modelu
Tace	Profesjonalne serwisy i użytkownicy końcowi	Przynajmniej 7 lat od wprowadzenia na rynek ostatniego modelu
Kosze	Profesjonalne serwisy i użytkownicy końcowi	Przynajmniej 7 lat od wprowadzenia na rynek ostatniego modelu
Uszczelki drzwi	Profesjonalne serwisy i użytkownicy końcowi	Przynajmniej 10 lat od wprowadzenia na rynek ostatniego modelu

PL

Drogi kliencie,

1. W razie chęci zwrotu lub wymiany produktu należy się skontaktować z punktem zakupu. (Należy pamiętać o dostarczeniu paragonu zakupu)
2. W razie awarii urządzenia należy się skontaktować z działem obsługi klienta.

UWAGA

Informacje o modelu dostępne w bazie danych oraz identyfikator modelu można znaleźć na stronie internetowej, której adres można uzyskać, skanując kod QR (jeśli jest dostępny) znajdujący się na etykiecie wydajności energetycznej urządzenia.

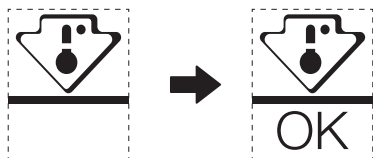
Aby dowiedzieć się więcej na temat wydajności energetycznej urządzenia, należy przejść do strony <https://ec.europa.eu> i wyszukać nazwę modelu urządzenia.

Nazwę modelu znaleźć można na etykiecie znamionowej urządzenia.

Najzimniejsza strefa w lodówce

OPCJONALNIE: wskaźnik OK temperatury

- Za pomocą wskaźnika OK temperatury można określić temperaturę poniżej +4°C. Stopniowo obniżać temperaturę, jeśli wskazanie „OK” nie jest wyświetlane.



- Aby zapewnić właściwą temperaturę w tej przestrzeni, nie zmieniać położenia półki. Lodówki z wymuszonym obiegiem powietrza (wyposażone w wentylator lub modele No Frost) nie posiadają oznaczenia najzimniejszej strefy, ponieważ panuje w nich równomierna temperatura.

Wskaźnik ustawionej temperatury

- Lodówka została wyposażona we wskaźnik ustawionej temperatury, który pomaga wybrać właściwe ustawienie i monitoruje średnią temperaturę w najzimniejszej strefie.
- **OSTRZEŻENIE:** wskaźnik może być stosowany wyłącznie w konkretnej lodówce, nie można go umieścić w innej lodówce (strefy najniższej temperatury różnią się między sobą) ani stosować do innych celów.

Sprawdzanie temperatury w najzimniejszej strefie

- Wskaźnik temperatury ułatwia regularne sprawdzanie, czy temperatura w najzimniejszej strefie jest właściwa. Na temperaturę wewnątrz lodówki wpływa wiele czynników, takich jak temperatura otoczenia, ilość umieszczonej żywności oraz częstotliwość otwierania drzwi. Konfigurując urządzenie, należy wziąć te czynniki pod uwagę.
- Gdy wskaźnik wyświetla komunikat «OK», oznacza to właściwe ustawienie termostatu i osiągnięcie pożądanej temperatury wewnętrznej.
- Gdy wskaźnik temperatury zmienia kolor na BIAŁY, oznacza to, że temperatura jest zbyt wysoka; w takiej sytuacji należy zwiększyć wartość ustawienia temperatury w lodówce i poczekać 12 godzin przed ponowieniem inspekcji wizualnej. Chwilę po dołożeniu świeżej żywności lub pozostawieniu otwartych drzwi wskaźnik temperatury może zmienić kolor na BIAŁY.

PATEICĪBAS VĒSTULE

Paldies, ka izvēlējāties Midea! Pirms sava jaunā Midea izstrādājuma lietošanas, lūdzu, uzmanīgi izlasiet šo rokasgrāmatu, lai gūtu pārliecību, ka protat drošā veidā izmantot savas jaunās ierīces piedāvātās iespējas un funkcijas.

SATURS

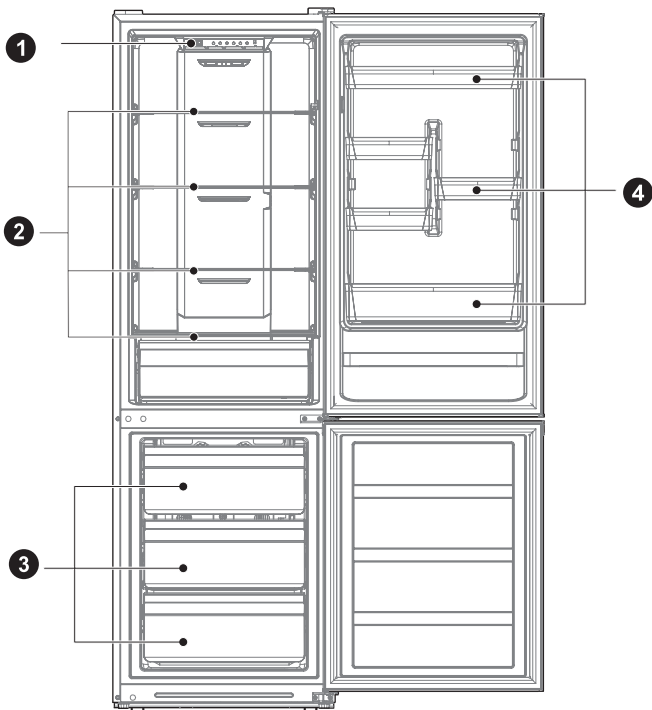
PATEICĪBAS VĒSTULE	01
SPECIFIKĀCIJAS	02
PRODUKTA PĀRSKATS	03
PRODUKTA UZSTĀDĪŠANA	04
LIETOŠANAS INSTRUKCIJAS	11
TĪRĪŠANA UN APKOPE	15
TRAUCĒJUMMEKLĒŠANA	17
PIELIKUMS	19

SPECIFIKĀCIJAS

Produkta modelis	MDRB424FGE
Svaigu pārtikas produktu uzglabāšanas nodalījuma tilpums	224 L
Saldētu pārtikas produktu uzglabāšanas nodalījuma tilpums	86 L
Atkausēšanas veids	Automātiskā atkausēšana
Temperatūras kāpuma ilgums	8 h
Saldēšanas jauda	3,9 kg/24 h
Nominālais spriegums/Frekvence	220-240V~/50Hz
Nominālstrāva	0,8 A
Kopējais izmērs (A x P x D)	1880X595x630 mm

PRODUKTA PĀRSKATS

Komponentu nosaukumi



1 Gaismas diožu apgaismojums

2 Plaukts

3 Atvilktnē

4 Durvju plaukts

UZMANĪBU!

Augstāk redzamais attēls ir tikai atsaucei. Faktiskā konfigurācija ir atkarīga no fiziskā izstrādājuma vai izplatītāja paziņojuma

LV

PRODUKTA UZSTĀDĪŠANA

Uzstādīšanas instrukcija

Aukstumiekārtām ar klimata klasi

- Atkarībā no klimata klases šī aukstumiekārta ir paredzēta lietošanai apkārtējās vides temperatūras diapazonā, kā norādīts sekojošajā tabulā.
- Klimata klase ir atrodama uz datu plāksnītes. Produkts var darboties nepareizi, ja temperatūra ir ārpus noteiktā diapazona.
- Klimata klase ir norādīta uz produkta etiķetes.

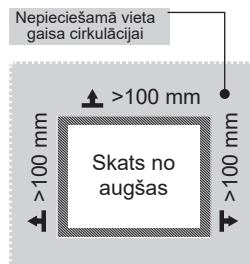
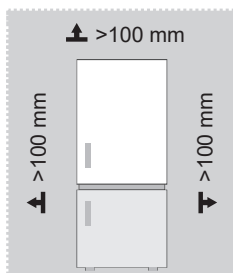
Efektīvās temperatūras diapazons

- Dzesētājs ir paredzēts normālai darbībai temperatūru diapazonā, ko nosaka tā klases vērtējums.

Klase	Simbols	Apkārtējās vides temperatūras diapazons °C	
		IEC 62552 (ISO 15502)	ISO 8561
Paplašināts mērens	SN	+10 līdz +32	+10 līdz +32
Mērens	N	+16 līdz +32	+16 līdz +32
Subtropu	ST	+16 līdz +38	+ 18 līdz + 38
Tropu	T	+16 līdz +43	+ 18 līdz + 43

Izmēri un attālumi

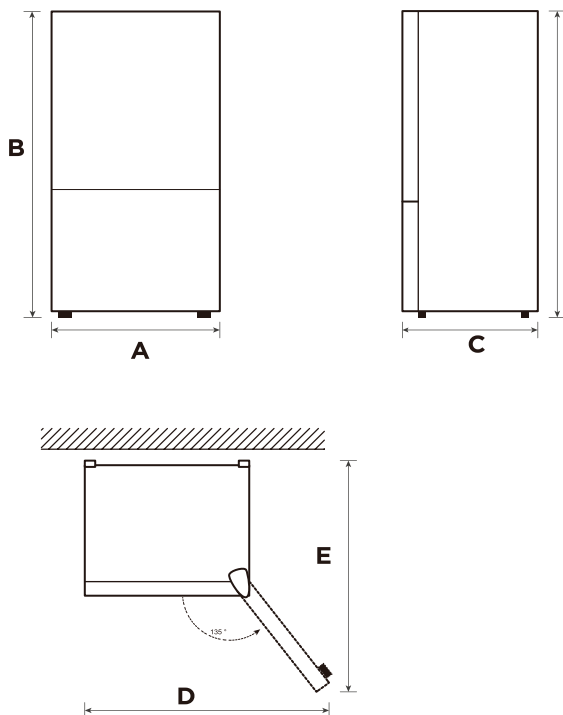
- Pārāk mazs attālums no blakus esošajiem priekšmetiem var pasliktināt sasalšanas spēju un palielināt elektroenerģijas izmaksas. Uzstādot ierīci, atstājiet vairāk nekā 100 mm atstarpi no katras blakus esošās sienas.



UZMANĪBU!

Augstāk redzamais attēls ir tikai atsauce. Faktiskā konfigurācija ir atkarīga no fiziskā izstrādājuma vai izplatītāja paziņojuma

Nepieciešamās vietas diagramma (kad durvis ir atvērtas un kad durvis ir aizvērtas)



LV

Platums	Kopējais augstums	Dziļums	Platums ar durvīm atvērtām 135° leņķī	Dziļums ar durvīm atvērtām 135° leņķī
A	B	C	D	E
595	1880	630	988	1074

Ņemiet vērā: Visi izmēri mm

Durvju maiņa no labās uz kreiso pusi (pēc izvēles)

Ņemot vērā vietu, kur plānojat izmantot savu ledusskapi, iespējams, ērtāk būs mainīt durvju pozīciju.

PIESARDZĪBU!

PIESARDZĪBU: Lai izvairītos no savainojumiem vai īpašuma bojājuma, mēs iesakām izmantot citu palīdzību durvju maiņas procesa laikā.

Sagatavošanās durvju pozīcijas maiņai

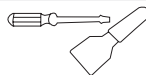
Jums būs nepieciešams: Standarta skrūvgriezis, Phillips skrūvgriezis un komplektācijā iekļautā sešstūra uzgriežņu atslēga.

- Pārļiecinieties, vai ledusskapis ir atvienots no strāvas un ir tukšs.
- Nodrošiniet, lai kāds jums palīdzētu šajā procesā.
- Saglabājiet visas noņemtās daļas, lai tās vēlāk izmantotu atkārtoti.

Durvju maiņai nepieciešamie instrumenti:



Krusta skrūvgriezis



Špaktele plakans skrūvgriezis



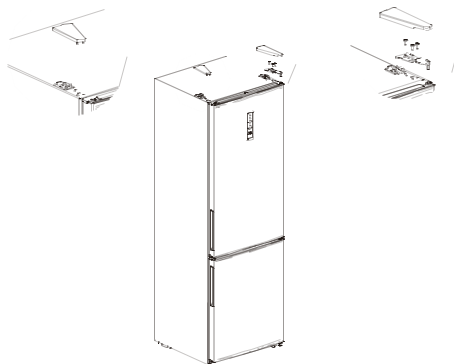
5/16 collu mucīņatslēga



Maskēšanas lente

Solis

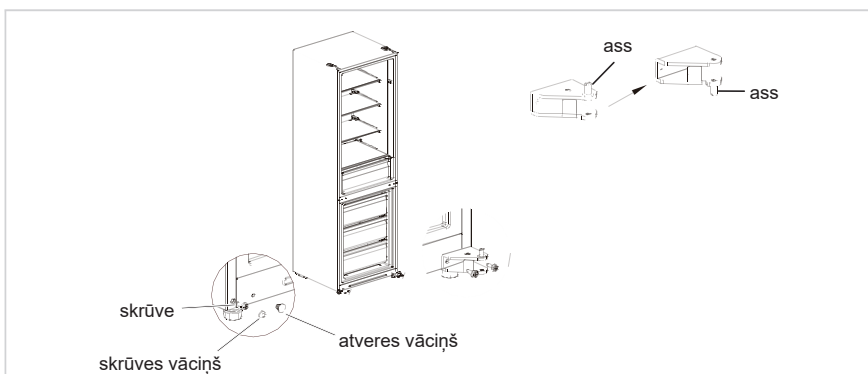
1. Izslēdziet ledusskapi un izņemiet visus priekšmetus no durvju plauktiem.
2. Noņemiet augšējās eņģes pārsegu, atvienojiet signāla vadus, augšējo eņģu un otrās puses atveres vāciņu, noņemiet ledusskapja durvis.



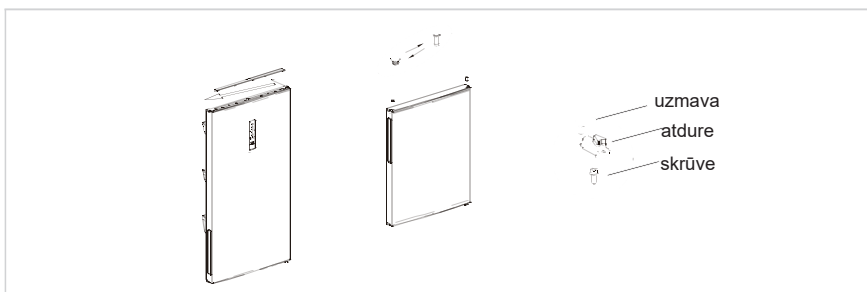
3. Demontējiet vidējo eņģi, skrūves, skrūvju atveres vāciņus un noņemiet saldētavas durvis.



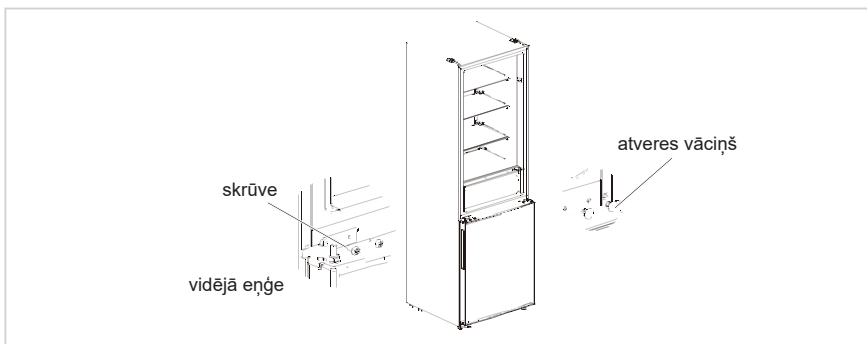
4. Noņemiet apakšējo eņģi, atveru pārsegus un skrūves, uzstādiet apakšējās eņģes asi apakšējās eņģes otrā pusē un pēc tam uzstādiet eņģi otrā pusē.



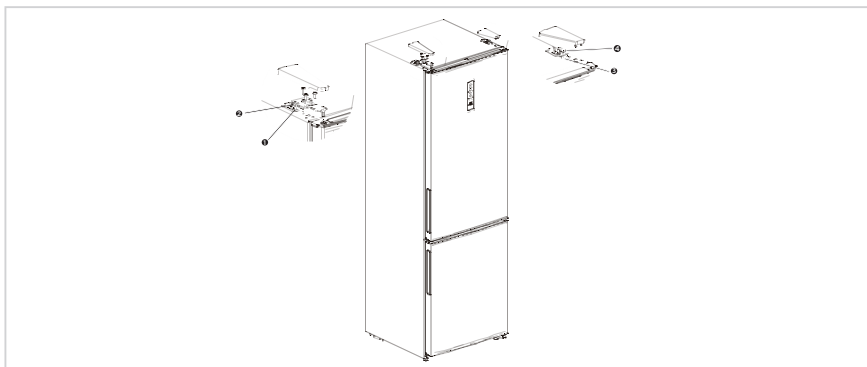
5. Izskrūvējiet skrūves, uzmavas cauruli un aizbāzni no divu durvju korpusu apakšējā pārsega un pēc kārtas uzstādiet tos durvju korpusu otrā pusē (aizbāznis ir jānomaina no papildu maišņa). Pēc tam noņemiet dzesētāja durvju augšējo pārsegu un ar uzmavas cauruli pārslēdziet vadojumu durvju otrā pusē. Visbeidzot uzstādiet augšējās eņģes uzmavas cauruli uz dzesētāja durvīm atverē, kas atrodas dzesētāja durvju augšējā gala pārsega otrā pusē.



6. Uzlieciet saldētavas durvis uz apakšējās eņģes, uzstādiēt vidējās eņģes, skrūves un skrūvju atveres vāciņus.



7. Novietojiet ledusskapja nodalījuma durvju korpusu uz vidējās eņģes, pēc tam uzstādiēt augšējo eņģu skapja otrā pusē, beigās pievienojiet spaiļus 1 un 2 signāla vadiem augšējās eņģes sānos un spaiļus 3 un 4 uz otru pusi un nosedziēt eņģes pārsegu un atveres pārsegu.



UZMANĪBU!

Augstāk redzamais attēls ir tikai atsauce. Faktiskā konfigurācija ir atkarīga no fiziskā izstrādājuma vai izplatītāja paziņojuma.

Novietošana

- Pirms lietošanas noņemiet visus iepakojuma materiālus, tostarp apakšējās uzlikas, putuplastu un līmlentes ledusskapja iekšpusē; novelciet aizsargplēvi no durvīm un ledusskapja korpusa.
- Sargiet no karstuma un izvairieties no tiešiem saules stariem. Nenovietojiet saldētavu mitrās vai ūdeņainās vietās, lai novērstu rūsas vai mazinātu izolācijas efektu.
- Neapsmidziniet un nemazgājiet ledusskapi; novietojiet ledusskapi mitrās vietās, kur tam var viegli uzšļakstīties ūdens, lai neietekmētu ledusskapja elektroizolācijas īpašības.
- Ledusskapis jānovieto labi vēdināmā telpā; pamatnei jābūt līdzenai un izturīgai (pagrieziet pa kreisi vai pa labi, lai regulētu līmeņošanas riteni, ja nestāv stabili).

Līmeņošanas balsts

Lai izvairītos no vibrācijas, ierīce ir jālīmeņo.

Ja nepieciešams, noregulējiet līmeņošanas skrūves, lai kompensētu grīdas nelīdzenumu.

Priekšpusē jābūt nedaudz augstākai par aizmuguri, lai palīdzētu aizvērt durvis.

Līmeņošanas skrūves var viegli pagriezt, nedaudz pagriežot ledusskapi.

Pagrieziet līmeņošanas skrūves pretēji pulksteņrādītāju kustības virzienam , lai paceltu ierīci, vai pulksteņrādītāju kustības virzienā , lai to nolaistu.

Ierīces pārvietošana

1. Izņemiet no ierīces visu pārtiku.
2. Atvienojiet strāvas kontaktdakšu, ievietojiet un piestipriniet to strāvas kontaktdakšas āķī ierīces aizmugurē vai augšpusē.
3. Pielīmējiet detaļas, piemēram, plauktus un durvju rokturi, lai ierīces pārvietošanas laikā tie nenokristu.
4. Uzmanīgi pārvietojiet ierīci ar vairāk nekā diviem palīgiem. Pārvadājot ierīci lielos attālumos, turiet ierīci vertikāli.
5. Pēc ierīces uzstādīšanas pievienojiet strāvas kontaktdakšu kontaktligzdai, lai ieslēgtu ierīci.

UZMANĪBU!

Piesardzības pasākumi pirms lietošanas:

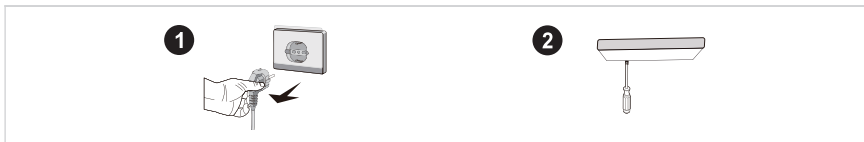
Pirms izmaiņu veikšanas ledusskapis ir jāatvieno no strāvas padeves. Ir jāveic piesardzības pasākumi, lai novērstu jebkādas traumas.

Lampiņas maiņa

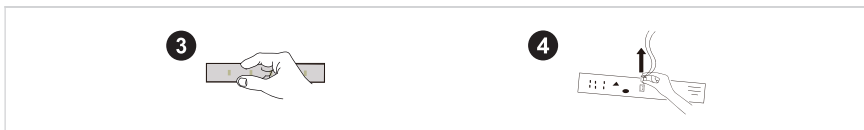
- Jebkuru LED spuldžu nomaiņu vai apkopi ir paredzēts veikt ražotājam, tā servisa darbiniekam vai līdzīgai kvalificētai personai. Šis izstrādājums satur <F> energoefektivitātes klases gaismas avotu.

Solis

1. Pirms noņemšanas, lūdzu, atvienojiet kontaktdakšu.
2. Noņemiet lampu, izmantojot skrūvgriezi



3. Noņemiet lampas paneli.
4. Izņemiet savienojumu termināli.



Ierīces pievienošana

Pirms sākotnējās palaišanas nekustiniet ledusskapi pusstundu pirms savienošanas ar barošanas avotu.

UZMANĪBU!

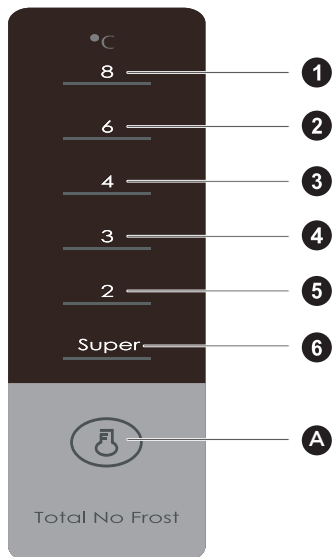
Pirms ievietojat jebkādu svaigus vai saldētus produktus, ļaujiet ledusskapim darboties 2-3 stundas un vasarā vairāk kā 4 stundas, kad apkārtnes temperatūra ir augsta.

Padomi enerģijas taupīšanai

- Ierīce ir jānovieto telpas vēsākajā daļā, prom no siltumu radošām ierīcēm, apsildes cauruļvadiem un tiešiem saules stariem.
- Ļaujiet karstiem ēdieniem atdzist līdz istabas temperatūrai, pirms ievietojat tos ierīcē. Ierīces pārslodzēšana liek kompresoram darboties ilgāk. Produkti, kas sasilst pārāk lēni, var zaudēt kvalitāti vai sabojāties.
- Rūpīgi ietiniet pārtikas produktus un izslaukiet konteinerus, lai tie būtu sausi, pirms ievietojat tos ierīcē. Tas samazina sarmas veidošanos ierīces iekšpusē.
- Ierīces uzglabāšanas tvertni nedrīkst izklāt ar alumīnija foliju, vaskpapīru vai papīra dvieļiem. Ieklātie materiāli traucē aukstā gaisa cirkulāciju, padarot ierīci mazāk efektīvu.
- Organizējiet un marķējiet pārtikas produktus, lai samazinātu durvju atvēršanas reižu skaitu un ilgstošu meklēšanu. Izņemiet pēc iespējas vairāk nepieciešamo produktu vienā reizē un iespējami drīz aizveriet durvis.

LIETOŠANAS INSTRUKCIJAS

Kontroles panelis



LV

UZMANĪBU!

Augstāk redzamais attēls ir tikai atsaucei. Faktiskā konfigurācija ir atkarīga no fiziskā izstrādājuma vai izplatītāja paziņojuma.

Taustiņš

A Temperatūras iestatīšanas poga

Dispeja ekrāns

1	1. temperatūras iestatījums
2	2. temperatūras iestatījums
3	3. temperatūras iestatījums
4	4. temperatūras iestatījums
5	5. temperatūras iestatījums
6	6. temperatūras iestatījums

Displejs

Ieslēdzot ledusskapi, displeja ekrāns (ieskaitot taustiņu apgaismojumu) pilnībā spīdēs 3 s, pēc tam ledusskapis darbojas atbilstoši 3. temperatūras iestatījumam.

Normālas darbības displejs

Kļūmes gadījumā atbilstošais LED indikators rādīs kombinētu atteices kodu (apstrādes displejā);

Ja kļūmes nav, LED lampiņa rādīs esošo temperatūras iestatījumu.

UZMANĪBU!

Faktiskais kontroles panelis var atšķirties atkarībā no modeļa.

Lietošanas instrukcijas

Zobrata iestatījums

- Temperatūras iestatījums tiks mainīts katru reizi, kad nospiedīsiet taustiņu SET. Tad, pēc 15 sek. intervāla, ledusskapis darbosies atbilstoši jaunajam iestatījumam.
1. iestatījums → 2. iestatījums → 3. iestatījums → 4. iestatījums → 5. iestatījums → 6. iestatījums → 1. iestatījums →

Ātrās dzesēšanas režīms:

- Ieiet: Cirkulācijas modulācijas ātrās dzesēšanas režīms.
- Darbība: Iedegas ātrās dzesēšanas indikators, un ledusskapis darbojas 2°C temperatūrā.
- Ātrās dzesēšanas režīms tiek automātiski atspējots uz 24 stundām.
- Ātrās dzesēšanas funkciju var izmantot kā Super saldēšanas funkciju.

Manuāla gaisa filtra pogas regulēšana

- Pagrieziet gaisa filtra slīdni uz augšu, faktiskā temperatūra saldētavas telpā pazemināsies, pagrieziet gaisa filtra slīdni uz leju, faktiskā temperatūra saldētavas iekšpusē paaugstināsies.

SALDĒTĀJA TEMP.

AUKSTĀKA



AUKSTĀKA



AUKSTA



Kļūdas kods

- Norādīto brīdinājumu parādīšanās displejā liecina par attiecīgajām ledusskapja kļūmēm. Lai gan ledusskapim joprojām var darboties dzesēšanas un sasaldēšanas funkcija šādu kļūmju gadījumā, lietotājam jāsaazinās ar apkopes speciālistu, lai veiktu apkopi un nodrošinātu normālu ledusskapja lietošanu.

Kļūmes kods	Kļūmes apraksts
Deg 1. LED un 2. LED lampiņa	Ledusskapja temperatūras sensora shēmas elements
Deg 1. LED un 3. LED lampiņa	Saldētavas atkausēšanas sensors
Deg 1. LED un 4. LED lampiņa	Apkārtējās gaisa temperatūras sensors

UZMANĪBU!

Piezīme: Ātrās saldēšanas funkcija ir izstrādāta, lai saglabātu saldētavā ievietoto pārtikas produktu uzturvērtību. Produktus iespējams sasaldēt visīsākajā laikā. Ja vienlaicīgi tiek sasaldēts liels daudzums produktu, ieteicams ieslēgt ātrās saldēšanas funkciju un ievietot produktus. Saldēšanas ātrums saldētavas nodalījumā tiek palielināts, ļaujot ātri sasaldēt produktus, efektīvi saglabājot uzturvērtību un veicinot uzglabāšanu.

Dzesēšanas kamera

- Dzesēšanas kamera ir piemērota, lai uzglabātu dažādus augļus, dārzeņus, dzērienus un citus pārtikas produktus, kas jāizlieto īsā laika periodā, ieteicamais uzglabāšanas laiks ir 3 līdz 5 dienas.
- Termiski apstrādātus produktus nedrīkst likt dzesēšanas kamerā, līdz tie nav atdesēti līdz istabas temperatūrai.
- Ieteicams cieši noslēgt pārtikas produktus pirms to ievietošanas ledusskapī.
- Stikla plauktus var pārvietot augstāk vai zemāk, nodrošinot piemērotu uzglabāšanas vietu un ērtu lietošanu.

Saldēšanas kamera

- Zemas temperatūras saldēšanas kamerā iespējams uzturēt produktus svaigus ilgu laiku, un to galvenokārt izmanto sasaldētu produktu glabāšanai un ledus pagatavošanai.
- Saldēšanas kamera ir piemērota, lai uzglabātu gaļu, zivis, rīsu bumbas un citus produktus, ko nav paredzēts ātri izlietot.
- Gaļas gabalus ieteicams sadalīt nelielos gabaliņos ātrai sasaldēšanai un ērtai piekļuvei. Lūdzu, ņemiet vērā produktu derīguma termiņu.

UZMANĪBU!

Piezīme: Pārāk liela produktu apjoma uzglabāšana pēc sākotnējā savienojuma ar barošanas avotu var negatīvi ietekmēt ledusskapja saldēšanas spēju.

Secība	Nodalījumu TIPS	Mērķa glabāšanas temp. [°C]	Atbilstošā pārtika
1	Ledusskapis	+2 ~ +8	Saldēšanai nav piemērotas olas, vārīti ēdieni, iepakoti ēdieni, augļi un dārzeņi, piena produkti, kūkas, dzērieni un citi pārtikas produkti.
2	(***)*-Saldētava	≤-18	Jūras veltes (zivis, garneles, vēžveidīgie), saldūdens produkti un gaļas produkti (ieteicams 3 mēneši, jo ilgāks uzglabāšanas laiks, jo sliktāka garša un uzturvērtība), piemērots saldētai svaigai pārtikai.
3	***-Saldētava	≤-18	Jūras veltes (zivis, garneles, vēžveidīgie), saldūdens produkti un gaļas produkti (ieteicams 3 mēneši, jo ilgāks uzglabāšanas laiks, jo sliktāka garša un uzturvērtība), piemērots saldētai svaigai pārtikai.
4	**Saldētava	≤-12	Jūras veltes (zivis, garneles, vēžveidīgie), saldūdens produkti un gaļas produkti (ieteicams 3 mēneši, jo ilgāks uzglabāšanas laiks, jo sliktāka garša un uzturvērtība), piemērots saldētai svaigai pārtikai.
5	*Saldētava	≤-6	Jūras veltes (zivis, garneles, vēžveidīgie), saldūdens produkti un gaļas produkti (ieteicams 3 mēneši, jo ilgāks uzglabāšanas laiks, jo sliktāka garša un uzturvērtība), piemērots saldētai svaigai pārtikai.
6	0 zvaigznītes	-6 ≤ 0	Svaiga cūkgaļa, liellopu gaļa, zivis, vistas gaļa, daži fasēti apstrādāti pārtikas produkti utt. (Ieteicams apēst tās pašas dienas laikā, vēlams ne ilgāk kā 3 dienas). Daļēji fasēti apstrādāti pārtikas produkti (nesasaldējami produkti).
7	Atdzesēšana	-2 ~ +3	Svaiga/saldēta cūkgaļa, liellopu gaļa, vistas gaļa, saldūdens jūras velšu produkti utt. (7 dienas temperatūrā zem 0°C un virs 0°C ieteicams lietot uzturā šīs dienas laikā, vēlams ne ilgāk kā 2 dienas). Jūras veltes (mazāk par 0 uz 15 dienām, nav ieteicams uzglabāt temperatūrā virs 0°C).
8	Svaiga pārtika	0 ~ +4	Svaiga cūkgaļa, liellopu gaļa, zivis, vistas gaļa, termiski apstrādāti produkti utt. (Ieteicams apēst vienas dienas laikā, vēlams ne ilgāk par 3 dienām)
9	Vīns	+5 ~ +20	Sarkanvīns, baltvīns, dzirkstošais vīns utt.

UZMANĪBU!

lūdzu, uzglabājiem dažādus pārtikas produktus atbilstoši produktu nodalījumiem vai mērķa uzglabāšanas temperatūrai.

TĪRĪŠANA UN APKOPE

Vispārēja tīrīšana

- Savlaicīgi notīriet putekļus, kas sakrājušies aiz ledusskapja un uz grīdas, lai uzlabotu dzesēšanas efektu un enerģijas taupīšanu.
- Regulāri pārbaudiet durvju blīvi, lai pārliecinātos, vai nav uzkrājušies gruži. Tīriet durvju blīvi, izmantojot mīkstu drānu, kas samitrināta ziepjūdenī vai atšķaidītā mazgāšanas līdzeklī.
- Regulāri tīriet ledusskapja iekšpusi, lai novērstu smakas.
- Pirms iekšpuses tīrīšanas atvienojiet barošanas avotu, izņemiet visus produktus, dzērienus, plauktus, atvilktnes utt.
- Tīriet ledusskapja iekšpusi, izmantojot mīkstu drānu vai sūkli, divas ēdamkarotes sodas un kvartu silta ūdens. Pēc tam noskalojiet ar ūdeni un noslaukiet. Pēc tīrīšanas atveriet durvis un ļaujiet dabīgi nožūt, pirms pieslēdzat barošanas avotu.
- Grūti tīrāmas ledusskapja zonas (šauras vietas, spraugas un stūrus) ieteicams regulāri noslaucīt ar mīkstu lupatu, mīkstu birsti utt., pēc nepieciešamības izmantojot papildrīkus (tievas nūjas), lai novērstu piesārņojuma un baktēriju uzkrāšanos šajās zonās.
- Nelietojiet ziepes, mazgāšanas līdzekļus, pulverus, izsmidzināmus tīrīšanas līdzekļus utt., jo tie var radīt aromātus ledusskapja iekšpusē vai piesārņot pārtikas produktus.
- Tīriet pudeļu rāmi, plauktus un atvilktnes, izmantojot mīkstu drānu, kas samitrināta ziepjūdenī vai atšķaidītā mazgāšanas līdzeklī. Noslaukiet ar mīkstu drānu vai ļaujiet nožūt dabīgi.
- Ledusskapja ārējo virsmu noslaukiet ar mīkstu drānu, kas samitrināta ziepjūdenī, mazgāšanas līdzeklī utt., un pēc tam noslaukiet sausu.
- Nelietojiet cietas birstes, tērauda bumbas, metāla suku, abrazīvus līdzekļus (piemēram, zobu pastas), organiskus šķīdinātājus (piemēram, alkoholu, acetonu, banānu eļļu u.c.), vārošu ūdeni, skābus vai sārmainus līdzekļus, kas var sabojāt ledusskapja virsmu un iekšpusi. Vārošs ūdens un organiski šķīdinātāji, piemēram, benzīns, var deformēt vai sabojāt plastmasas daļas.
- Tīrīšanas laikā neskalojiet tieši ar ūdeni vai citiem šķīdumiem, lai izvairītos no īssavienojumiem un neietekmētu elektroizolāciju pēc saslāpīšanas.

UZMANĪBU!

Lūdzu, atvienojiet ledusskapi no barošanas avota, pirms veicat atkausēšanu un tīrīšanu.

Atkausēšana

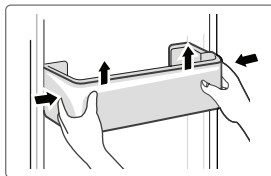
- Ledusskapis ir izgatavots, balstoties uz gaisa dzesēšanas principu, un tam ir automātiskas atkausēšanas funkcija. Apsarmojumu, kas radies gadalaika vai temperatūras maiņas dēļ, var manuāli noņemt, atvienojot ierīci no barošanas avota vai slaukot ar sausu dvieli.

LV

Durvju nodalījuma tīrīšana

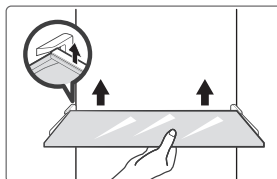
- Atbilstoši virziena bultiņai zemāk redzamajā attēlā izmantojiet abas rokas, lai saspiestu plauktu, un velciet to augšup, lai izņemtu.
- Pēc nodalījuma izmazgāšanas, kad tas

ir izņemts, varat pielāgot tā uzstādīšanas augstumu atbilstoši savām prasībām.



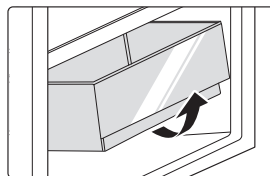
Stikla plaukta tīrīšana

- Tā kā ledusskapja ieliktnā iekšējai daļai, kas saskaras ar plauktiem, ir atbalsta mehānisms, plauktus var izņemt, paceļot tos augšup.
- Regulējiet un tīriet plauktus atbilstoši savām prasībām.



Dārzeņu atvilktnes tīrīšana

1. Izņemiet atvilktnes saturu. Satveriet dārzeņu atvilktnes rokturi un izvelciet to līdz galam.
2. Paceliet dārzeņu atvilktni uz augšu un izņemiet to, izvelkot to ārā.



Nedarbojas

Elektroapgādes traucējums:

Elektroapgādes traucējuma gadījumā, pat ja ir vasara, produktus var uzglabāt ierīcē vairākas stundas; elektroapgādes traucējuma laikā durvis vajadzētu atvērt iespējami retāk un jaunus produktus nevajadzētu ievietot.

Ilgstoša nelietošana:

Ierīce ir jāatvieno no barošanas avota, lai veiktu tīrīšanu; pēc tam durvis jāatstāj atvērtas, lai novērstu smakas.

Pārvietošana:

Pirms ledusskapja pārvietošanas izņemiet visus priekšmetus, nostipriniet stikla nodalījumus, dārzeņu turētāju, saldēšanas kameras atvilktnes utt. ar līmlenti un pievelciet līmeņošanas balstu; aizveriet durvis un nostipriniet ar līmlenti. Pārvietošanas laikā ierīci nedrīkst novietot otrādi vai horizontāli un pakļaut vibrācijām; slīpums pārvietošanas laikā nedrīkst pārsniegt 45°.

● UZMANĪBU!

Pēc darbības sākšanas ierīce darbosies pastāvīgi. Ierīces darbību nevajadzētu pārtraukt; tas var saīsināt darbību.

TRAUCĒJUMMEKLĒŠANA

Sekojošās vienkāršās problēmas var risināt pats lietotājs. Sazinieties ar pēcpārdošanas pakalpojumu nodaļu, ja problēma nav atrisināta.

Problēma	Iespējamais cēlonis
Nedarbojas	• Pārbaudiet, vai ierīce ir savienota ar barošanas avotu un spraudnis ir cieši iesprausts
	• Pārbaudiet, vai spriegums nav pārāk zems
	• Pārbaudiet, vai nav traucēta elektroapgāde vai radusies problēma kontūra daļā
Smaka	• Aromātiski produkti ir cieši jāiesaiņo
	• Pārbaudiet, vai nav sabojājušos produktu
	• Izfīriet ledusskapja iekšpusi
Kompresora ilgstoša darbība	• Ledusskapja ilgstoša darbība ir normāla vasarā, kad apkārtnes temperatūra ir augsta
	• Nav ieteicams ierīcē vienlaicīgi uzglabāt pārāk daudz produktu
	• Produktiem ir jābūt atdzisušiem pirms to ievietošanas ierīcē
	• Durvis tiek pārāk bieži virinātas
Lampīņa neiedegas	• Pārbaudiet, vai ledusskapis ir savienots ar barošanas avotu un vai nav bojāta apgaismojuma lampīņa
	• Lūdziet speciālistu nomainīt lampīņu
Durvis nevar pareizi aizvērt	• Durvis traucē aizvērt produktu iepakojumi
	• Ledusskapis ir sagāzies.
Skaļš troksnis	• Pārbaudiet, vai grīda ir līdzena un ledusskapis ir novietots stabili
	• Pārbaudiet, vai piederumi ir novietoti pareizajās vietās

LV

Problēma	Iespējamais cēlonis
Durvju blīve nav cieša	<ul style="list-style-type: none"> • Noņemiet svešķermeņus no durvju blīves • Sasildiet durvju blīvi un pēc tam atdzesējiet to (sildīšanai varat izmantot elektrisko fēnu vai karstu dvieli)
Ūdens tekne pārplūst	<ul style="list-style-type: none"> • Kamerā ir pārāk daudz produktu vai uzglabātie produkti satur pārāk daudz ūdens, kā rezultātā nepieciešama spēcīga atkausēšana • Durvis nav rūpīgi aizvērtas, gaisa ieplūdes dēļ rodas sarma un atkausēšanas rezultātā ir daudz ūdens
Karsts korpuss	<ul style="list-style-type: none"> • Iebūvētā kondensatora siltuma izkliede caur korpusu, kas ir normāla parādība. Ja korpuss kļūst karsts augstās apkārtējās temperatūras dēļ, pārāk liela pārtikas daudzuma vai kompresora izslēgšanās dēļ, nodrošiniet labu ventilāciju, lai veicinātu siltuma izkliedi.
Virsmas kondensācija	<ul style="list-style-type: none"> • Kondensāts uz ledusskapja ārējās virsmas un durvju blīvēm ir normāla parādība, ja apkārtnes mitrums ir pārāk augsts. Noslaukiet kondensātu ar tīru dvieli.
Anormāls troksnis	<ul style="list-style-type: none"> • Dūkoņa: Kompresors darbības laikā var radīt dūkoņu, un dūkoņa ir skaļa, īpaši sākot un beidzot darbu. Tā ir normāla parādība. • Krakšķi: Ierīces iekšpusē plūstošais dzesētājs var radīt krakšķus, kas ir normāla parādība.

PIELIKUMS

Īpaši jaunam Eiropas standartam

Pasūtītās detaļas, kas norādītas tabulā, var iegādāties ar servisa nodrošinātāja starpniecību

Pasūtītā daļa	Nodrošina	Minimālais piegādes laiks
Termostati	Profesionāls apkopes personāls	Vismaz 7 gadus pēc pēdējā modeļa palaišanas tirgū
Temperatūras sensori	Profesionāls apkopes personāls	Vismaz 7 gadus pēc pēdējā modeļa palaišanas tirgū
Apdrukātas shēmas plates	Profesionāls apkopes personāls	Vismaz 7 gadus pēc pēdējā modeļa palaišanas tirgū
Gaismas avots	Profesionāls apkopes personāls	Vismaz 7 gadus pēc pēdējā modeļa palaišanas tirgū
Durvju rokturi	Profesionāli labotāji un galalietotāji	Vismaz 7 gadus pēc pēdējā modeļa palaišanas tirgū
Durvju eņģes	Profesionāli labotāji un galalietotāji	Vismaz 7 gadus pēc pēdējā modeļa palaišanas tirgū
Plaukti	Profesionāli labotāji un galalietotāji	Vismaz 7 gadus pēc pēdējā modeļa palaišanas tirgū
Grozi	Profesionāli labotāji un galalietotāji	Vismaz 7 gadus pēc pēdējā modeļa palaišanas tirgū
Durvju blīves	Profesionāli labotāji un galalietotāji	Vismaz 10 gadus pēc pēdējā modeļa palaišanas tirgū

LV

Cienījamais klient,

1. Ja vēlaties nodot atpakaļ vai nomainīt izstrādājumu, lūdzu, sazinieties ar veikalu, kurā to iegādājāties.

(Atcerieties paņemt līdzi pirkuma čekus)

2. Ja izstrādājums ir salūzis un ir nepieciešams remonts, lūdzu, sazinieties ar pēcpārdošanas pakalpojumu sniedzēju.

🔍 UZMANĪBU!

Informāciju par konkrēto modeli produktu datubāzē, kā arī modeļa identifikatoru var iegūt, izmantojot tīmekļa saiti, skenējot QR kodu, ja tāds ir, uz izstrādājuma energoefektivitātes marķējuma.

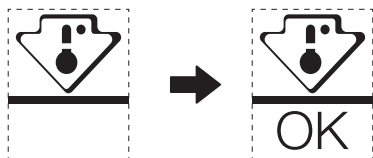
Lai iegūtu papildinformāciju par ierīces energoefektivitāti, apmeklējiet vietni <https://ec.europa.eu> un meklējiet, izmantojot modeļa nosaukumu.

Modeļa nosaukums pieejams uz ierīces datu uzlīmes.

Aukstākā zona ledusskapī

PĒC IZVĒLES: Atbilstošās temperatūras rādītājs

- Atbilstošās temperatūras rādītāju var izmantot, lai noteiktu temperatūru zem +4°C. Pakāpeniski samaziniet temperatūru, ja nav redzams "OK".



- Lai nodrošinātu temperatūru šajā zonā, nemainiet plaukta pozīciju. Piespiedu gaisa ledusskapjiem (modeļiem ar ventilatoru vai automātiskās atkausēšanas funkciju) aukstākās zonas simbola nav, jo temperatūra iekšpusē ir viendabīga.

Temperatūras indikatora iestatīšana

- Lai palīdzētu jums veikt ledusskapja iestatīšanu, tas ir aprīkots ar temperatūras indikatoru, kas novēro vidējo temperatūru aukstākajā zonā.
- **BRĪDINĀJUMS!** Šis indikators ir paredzēts tikai darbam ar jūsu ledusskapi, nelietojiet to citā ledusskapī (faktiski aukstākā zona nav tāda pati) vai citiem nolūkiem.

Temperatūras pārbaude aukstākajā zonā

- Izmantojot temperatūras indikatoru, jūs varat regulāri pārbaudīt, vai aukstākās zonas temperatūra ir pareiza. Ledusskapja iekšējā temperatūra ir atkarīga no vairākiem faktoriem, piemēram, telpas apkārtējās temperatūras, uzglabāto pārtikas produktu daudzuma un durvju atvēršanas biežuma. Iestatot ierīci, ņemiet vērā šos faktorus.
- Kad indikators rāda "OK", tas nozīmē, ka termostats ir labi noregulēts un iekšējā temperatūra ir pareiza.
- Ja temperatūras indikators nomainās uz BALTU, tas nozīmē, ka temperatūra ir pārāk augsta; šādā gadījumā palieliniet ledusskapja temperatūras kontroles iestatījumu un uzgaidiet 12 stundas, pirms no jauna vizuāli pārbaudāt indikatoru. Kad ir ievietoti svaigi pārtikas produkti vai durvis ir atstātas atvērtas, pēc kāda laika temperatūras indikators, iespējams, nomainīsies uz BALTU.

PORUKA ZAHVALNOSTI

Hvala vam što ste izabrali kompaniju Midea! Pre upotrebe svog novog Midea proizvoda, pažljivo pročitajte ovo uputstvo da biste se uverili da znate kako da na bezbedan način koristite karakteristike i funkcije koje vaš novi uređaj nudi.

SADRŽAJ

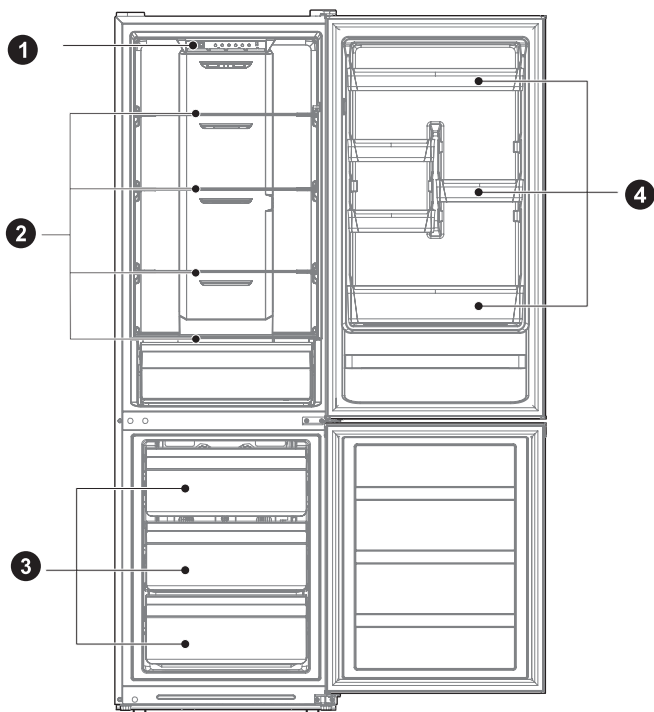
PORUKA ZAHVALNOSTI -----	01
SPECIFIKACIJE -----	02
PREGLED PROIZVODA -----	03
INSTALACIJA PROIZVODA -----	04
UPUTSTVO ZA UPOTREBU -----	11
ČIŠĆENJE I ODRŽAVANJE -----	15
OTKLANJANJE PROBLEMA -----	17
DODATAK -----	19

SPECIFIKACIJE

Model proizvoda	MDRB424FGE
Zapremina odeljka za čuvanje sveže hrane	224 L
Zapremina odeljka za čuvanje zamrznute hrane	86 L
Tip odmrzavanja	Automatsko odmrzavanje
Vreme rasta temperature	8 sati
Kapacitet zamrzavanja	3,9 kg/24h
Nominalni napon/frekvencija	220-240V~/50Hz
Nazivna jačina struje	0,8 A
Ukupne dimenzije (V x Š x D)	1880x595x630mm

PREGLED PROIZVODA

Nazivi komponenti



1 LED lampica

2 Polica

3 Fioka

4 Polica za vrata

PAŽNJA

Slika iznad služi samo za referencu. Stvarna konfiguracija će zavisiti od kupljenog proizvoda ili izjave distributera

SR

INSTALACIJA PROIZVODA

Uputstvo za instalaciju

Za uređaje za hlađenje sa klimatskom klasom

- U zavisnosti od klimatske klase, ovaj uređaj za hlađenje predviđen je za upotrebu u opsezima temperature okruženja navedenim u sledećoj tabeli.
- Klimatsku klasu možete da pronađete na pločici sa specifikacijama. Proizvod ne može ispravno da funkcioniše na temperaturama van navedenog opsega.
- Klimatsku klasu možete naći na nalepnici proizvoda.

Efektivni opseg temperature

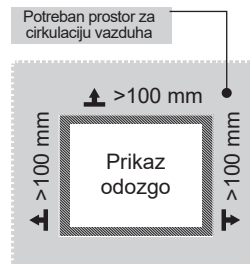
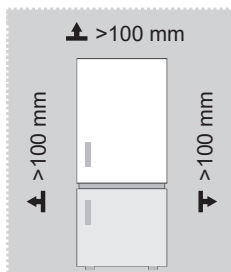
- Proizvod je projektovan tako da normalno radi u opsegu temperature koji je naveden u specifikacijama klase.

Klasa	Simbol	Opseg temperature okoline °C	
		IEC 62552 (ISO 15502)	ISO 8561
Proširena umerena	SN	+ 10 do + 32	+ 10 do + 32
Umerena	N	+ 16 do + 32	+ 16 do + 32
Subtropska	ST	+ 16 do + 38	+ 18 do + 38
Tropska	T	+ 16 do + 43	+ 18 do + 43

SR

Dimenzije i rastojanja

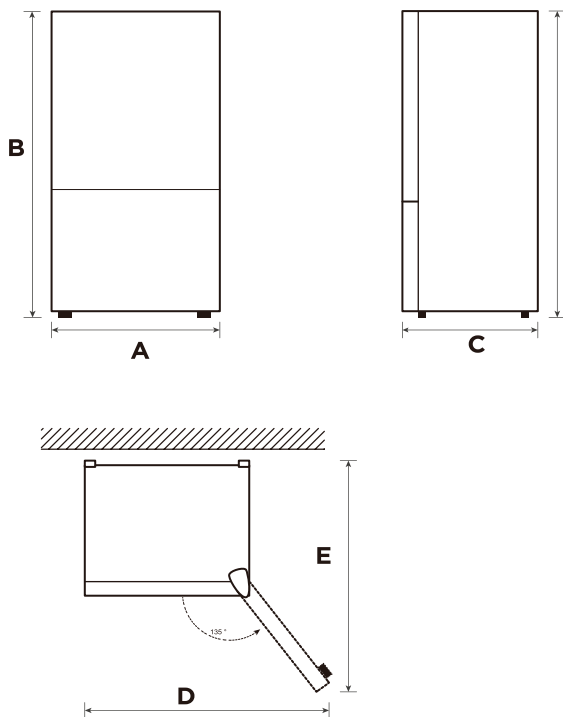
- Nedovoljno rastojanje od susednih predmeta može da dovede do smanjenja kapaciteta zamrzavanja i povećanja troškova električne energije. Prilikom postavljanja uređaja, ostavite više od 100 mm slobodnog prostora od svakog susednog zida.



PAŽNJA

Slika iznad služi samo za referencu. Stvarna konfiguracija će zavisiti od kupljenog proizvoda ili izjave distributera

Crtež potrebnog prostora (kada su vrata otvorena i kada su vrata zatvorena)



SR

Širina	Ukupna visina	Dubina	Širina otvaranja vrata 135°	Dubina otvaranja vrata 135°
A	B	C	D	E
595	1880	630	988	1074

Napomena: Sve dimenzije u mm

Promena strane otvaranja vrata (opcija)

U zavisnosti od lokacije na kojoj planirate da koristite frižider, možda će vam biti zgodnije da promenite stranu otvaranja vrata.

OPREZ

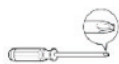
OPREZ: Da se ne biste povredili ili da biste izbegli oštećenje imovine, preporučujemo da vam neko pomogne tokom promene strane otvaranja vrata.

Priprema za promenu strane otvaranja vrata

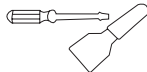
Potrebni su: Standardni odvijač, Phillips odvijač i priloženi imbus ključ.

- Uverite se da je vaš frižider isključen i prazan.
- Neka vam neko pomogne tokom ovog postupka.
- Sačuvajte sve delove koje uklonite da biste ih kasnije ponovo postavili.

Alati potrebni za promenu strane otvaranja vrata:



Krstasti odvijač



Nož za git/lepak, ravan odvijač



Gedora 5/16"

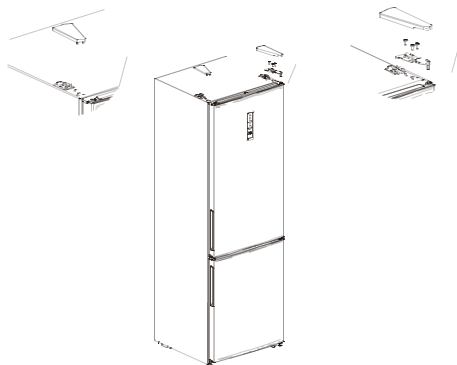


Papirna lepljiva traka

SR

Korak

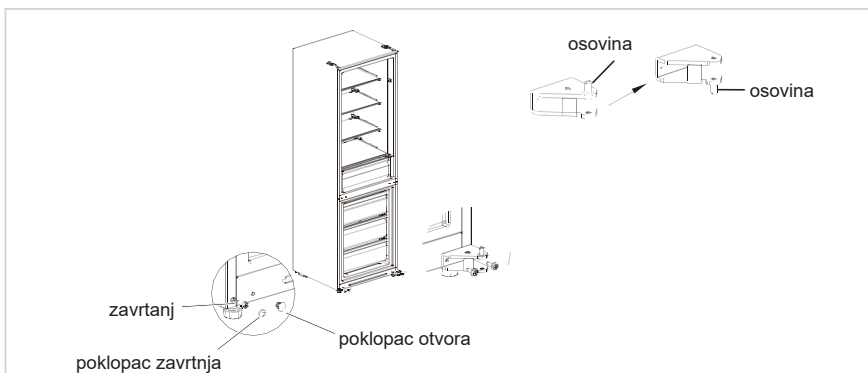
1. Isključite frižider i uklonite sve predmete sa polica na vratima.
2. Demontirajte gornji poklopac sa šarkom, odvojite signalne kablove, gornju šarku i poklopac otvora sa druge strane, uklonite vrata rashladnog uređaja.



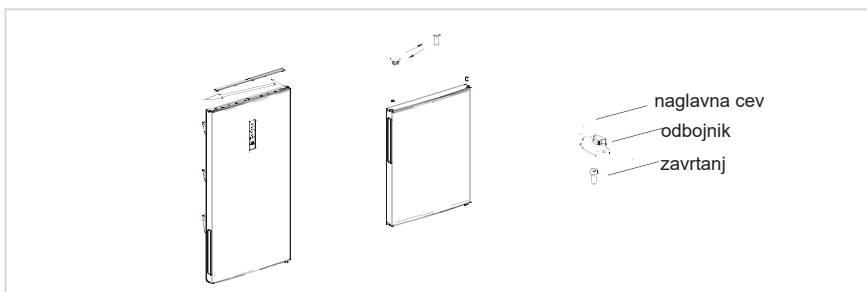
3. Demontirajte srednju šarku, zavrtnje, poklopce otvora za zavrtnje i skinite vrata zamrzivača.



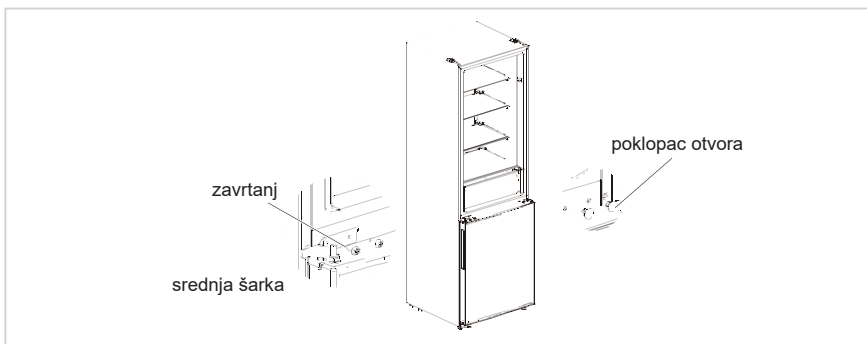
4. Demontirajte donju šarku, poklopce otvora i zavrtnje, postavite osovinu donje šarke na drugu stranu donje šarke, a zatim postavite šarku na drugu stranu.



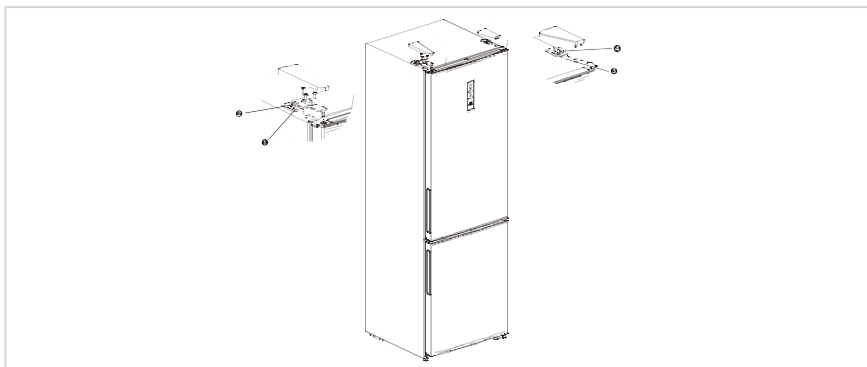
5. Demontirajte zavrtnje, naglavnu cev i odbojnik na donjem delu poklopca dvokrilnih kućišta i instalirajte ih jedan za drugim na drugu stranu kućišta vrata (graničnik treba zameniti iz kese sa dodacima). Zatim skinite gornji poklopac vrata frižidera i prebacite snop kablova sa naglavnom cevi na drugu stranu kućišta vrata. Na kraju postavite naglavnu cev gornje šarke na vrata frižidera u otvor na drugoj strani gornjeg poklopca vrata frižidera.



6. Postavite vrata zamrzivača na donju šarku, postavite srednju šarku, zavrtnje i poklopce za rupe za zavrtnje.



7. Postavite kućište vrata za odeljak frižidera na srednju šarku, zatim postavite gornju šarku na drugu stranu kućišta, a zatim povežite terminale 1, 2 za signalne kablove sa strane gornje šarke i terminale 3, 4 na drugu stranu, i postavite poklopac šarke i poklopac otvora.



PAŽNJA

Slika iznad služi samo za referencu. Stvarna konfiguracija će zavisiti od kupljenog proizvoda ili izjave distributera.

Postavljanje

- Pre upotrebe uklonite sve ambalažne materijale, uključujući uloške na dnu, penaste obloge i trake u frižideru; uklonite zaštitnu foliju na vratima i kućištu frižidera.
- Držite dalje od toplote i izbegavajte direktnu sunčevu svetlost. Ne stavljate frižider na vlažna ili vodena mesta da biste sprečili rđanje ili smanjenje efekta izolacije.
- Ne prskajte po frižideru i ne perite ga; ne stavljajte frižider na vlažna mesta na kojima bi lako mogla voda da prska po njemu, jer bi to moglo da utiče na električnu izolovanost frižidera.
- Frižider treba da se postavi u dobro provetrenom zatvorenom prostoru; podloga mora biti ravna i čvrsta (okrećite levo ili desno da biste podesili točkić za nivelisanje ako je nestabilan).



Stopice za nivelisanje

Da bi se izbegle vibracije, uređaj mora biti nivelisan.

Ako je potrebno, podesite zavrtnje za nivelisanje da biste kompenzovali neravan pod.

Prednji deo treba da bude nešto viši od zadnjeg da bi se lakše zatvorila vrata.

Zavrtnji za nivelisanje mogu lako da se okreću ako se kućište malo nagne.

Okrećite zavrtnje za nivelisanje suprotno smeru kazaljke na satu  da biste podigli uređaj ili u smeru kazaljke na satu  da biste ga spustili.

Premeštanje uređaja

1. Uklonite svu hranu iz unutrašnjosti uređaja.
2. Izvucite utikač za napajanje, umetnite i pričvrstite na kuku za utikač na zadnjoj strani ili na vrhu uređaja.
3. Zalepите delove kao što su police i ručka na vratima da ne bi pali dok premeštate uređaj.
4. Uređaj pažljivo premeštajte uz pomoć jedne ili više osoba. Kada transportujete uređaj na velike udaljenosti, uređaj mora biti u uspravnom položaju.
5. Nakon instaliranja uređaja, priključite utikač u utičnicu da biste uključili uređaj.

PAŽNJA

Mere predostrožnosti pre početka upotrebe:

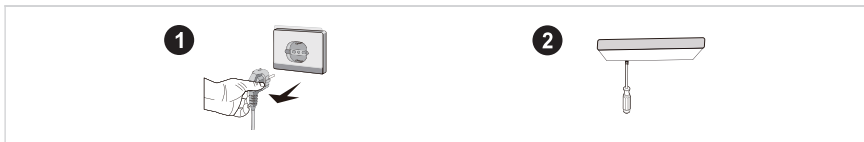
Pre nego što izvršite promene, frižider mora biti isključen iz struje. Treba preduzeti mere predostrožnosti kako bi se sprečile bilo kakve telesne povrede.

Zamena sijalica

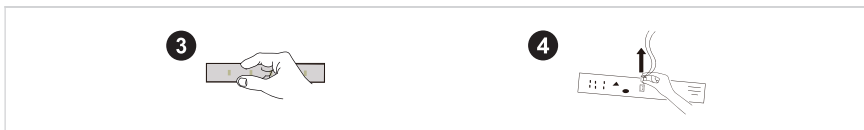
- Svaku zamenu ili održavanje LED sijalica treba da izvrši proizvođač, njegov serviser ili slično kvalifikovana osoba. Ovaj proizvod sadrži izvor svetlosti klase energetske efikasnosti <F>.

Korak

1. Isključite strujni kabl iz utičnice pre zamene.
2. Skinite štitnik sijalice odvijačem



3. Skinite panel sijalice.
4. Uklonite priključak.



SR

Povezivanje uređaja

Pre prvog pokretanja, frižider ne treba pomerati pola sata pre nego što ga priključite na napajanje.

PAŽNJA

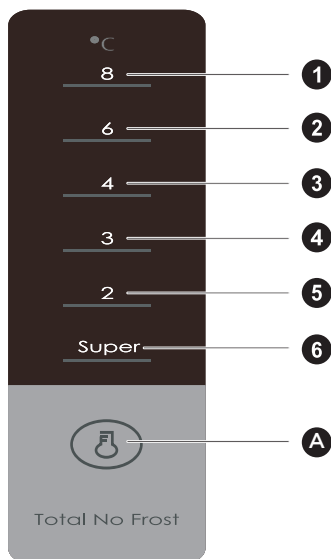
Pre stavljanja bilo kakve sveže ili zamrznute hrane, frižider treba da radi 2-3 sata, ili leti više od 4 sata kada je temperatura okoline visoka.

Saveti za štednju energije

- Uređaj treba da se nalazi u najhladnijem delu prostorije, daleko od uređaja koji proizvode toplotu ili grejnih vodova, i van direktne sunčeve svetlosti.
- Ostavite tople namirnice da se ohlade na sobnu temperaturu pre stavljanja u uređaj. Preopterećenje uređaja dovodi do dužeg rada kompresora. Hrana koja se zamrzava suviše sporo može izgubiti kvalitet ili se pokvariti.
- Obavezno dobro umotajte hranu i obrišite posude pre nego što ih stavite u uređaj. Ovo smanjuje gomilanje leda unutar uređaja.
- Kutiju za skladištenje ne treba oblagati aluminijumskom folijom, voštanim papirom ili papirnim ubrusom. Obloge ometaju cirkulaciju hladnog vazduha, što čini uređaj manje efikasnim.
- Organizujte i označite hranu kako bi se smanjila česta otvaranja vrata i vreme traženja. Izvadite odjednom onoliko namirnica koliko je potrebno i zatvorite vrata što je pre moguće.

UPUTSTVO ZA UPOTREBU

Kontrolna tabla



SR

● PAŽNJA

Slika iznad služi samo za referencu. Stvarna konfiguracija će zavisi od kupljenog proizvoda ili izjave distributera.

Taster

A Dugme za podešavanje temperature

Sadržaj displeja

1	Podešavanje temperature 1
2	Podešavanje temperature 2
3	Podešavanje temperature 3
4	Podešavanje temperature 4
5	Podešavanje temperature 5
6	Podešavanje temperature 6

Ekran

Kada uključite frižider, ekran (uključujući svetlo tastera) će se upaliti na 3 s, a zatim će frižider raditi u skladu sa podešavanjem temperature 3.

Prikaz normalnog rada

U slučaju kvara, odgovarajuća LED lampica će dati kombinovani prikaz koda greške (na prikazu za reciklažu);

Ako nema greške, LED lampica će prikazati postojeće podešavanje temperature.

PAŽNJA

Stvarna kontrolna tabla se može razlikovati od modela do modela.

Uputstvo za upotrebu

Podešavanje rada

- Podešavanje temperature će se promeniti jednom svaki put kada pritisnete taster SET. Frižider će nakon 15 sekundi početi da radi sa novom vrednošću podešavanja.
Podešavanje 1 → Podešavanje 2 → Podešavanje 3 → Podešavanje 4 →
Podešavanje 5 → Podešavanje 6 → Podešavanje 1 →

Režim brzog hlađenja:

- Ulazak: Režim brzog hlađenja sa regulacijom cirkulacije.
- Rukovanje: Indikator brzog hlađenja se pali, a frižider radi na 2°C.
- Režim brzog hlađenja se automatski isključuje na 24 sata.
- Funkcija brzog hlađenja se može koristiti kao funkcija super zamrzavanja.

Podešavanje ručice za ručnu vazдушnu klapnu

- Okrenite ručicu vazdušne klapne nagore, stvarna temperatura u zamrzivaču će pasti, okrenite ručicu vazdušne klapne nadole, stvarna temperatura u komori zamrzivača će porasti.

TEMP. ZAMRZIVAČA

NAJHLADNIJE



HLADNIJE



HLADNO



Šifra greške

- Sledeća upozorenja koja se pojavljuju na ekranu ukazuju na odgovarajuće kvarove frižidera. Iako frižider može i dalje da ima funkciju hlađenja i zamrzavanja sa sledećim kvarovima, korisnik treba da se obrati serviseru radi održavanja kako bi se obezbedila normalna upotreba frižidera.

Šifra kvara	Opis kvara
LED 1 i LED 2 svetle	Kolo senzora temperature frižidera
LED 1 i LED 3 svetle	Senzor za odmrzavanje zamrzivača
LED 1 i LED 4 svetle	Senzor temperature okoline

PAŽNJA

Napomena: Funkcija brzog zamrzavanja je predviđena za održavanje hranljive vrednosti hrane u zamrzivaču. Ona može da zamrzne hranu u najkraćem roku. Ako se odjednom zamrzava velika količina hrane, korisniku se preporučuje da uključi funkciju brzog zamrzavanja i da stavi hranu unutra. Tom prilikom, zamrzavanje unutar zamrzivača se ubrzava da bi se hrana brzo zamrzla, a time i efikasno očuvala hranljivost hrane i doprinelo kvalitetu čuvanja.

Komora za rashlađivanje

- Frižider je pogodan za skladištenje raznih vrsta voća, povrća, pića i ostale hrane koja se konzumira u kratkom roku, preporučeno vreme skladištenja od 3 dana do 5 dana.
- Kuvana hrana se ne sme stavljati u frižider dok se ne ohladi na sobnu temperaturu.
- Preporučuje se da hranu zatvorite pre stavljanja u frižider.
- Staklene police mogu da se podignu ili spuste da bi se dobio odgovarajući prostor za odlaganje i jednostavnu upotrebu.

SR

Komora za zamrzavanje

- Zamrzivač na niskoj temperaturi može dugo vremena da održava hranu svežom i uglavnom se koristi za skladištenje zamrznute hrane i pravljenje leda.
- Zamrzivač je pogodan za skladištenje mesa, ribe, pirinčanih kuglica i ostale hrane koja se ne neće konzumirati u kratkom roku.
- Komade mesa je poželjno podeliti na manje komade radi bržeg zamrzavanja i jednostavnog pristupa. Imajte u vidu da hranu treba konzumirati u roku skladištenja.

PAŽNJA

Napomena: Skladištenje previše hrane tokom rada, nakon prvog priključenja na napajanje može negativno da utiče na efekat zamrzavanja frižidera.

Redosled	TIP odeljka	Ciljna temperatura skladištenja [°C]	Pogodne namirnice
1	Frižider	+2 ~ +8	Jaja, kuvana hrana, upakovana hrana, voće i povrće, mlečni proizvodi, kolači, pića i druga hrana nisu pogodni za zamrzavanje.
2	(***)*zamrzivač	≤-18	Plodovi mora (riba, škampi, školjke), proizvodi iz slatkovodnih voda i proizvodi od mesa (preporučuju se skladištenje ne duže od 3 meseca, što je duže vreme skladištenja, lošiji su ukus i ishrana), pogodni za zamrznutu svežu hranu.
3	***zamrzivač	≤-18	Plodovi mora (riba, škampi, školjke), proizvodi iz slatkovodnih voda i proizvodi od mesa (preporučuju se skladištenje ne duže od 3 meseca, što je duže vreme skladištenja, lošiji su ukus i ishrana), pogodni za zamrznutu svežu hranu.
4	**zamrzivač	≤-12	Plodovi mora (riba, škampi, školjke), proizvodi iz slatkovodnih voda i proizvodi od mesa (preporučuju se skladištenje ne duže od 3 meseca, što je duže vreme skladištenja, lošiji su ukus i ishrana), pogodni za zamrznutu svežu hranu.
5	*-zamrzivač	≤-6	Plodovi mora (riba, škampi, školjke), proizvodi iz slatkovodnih voda i proizvodi od mesa (preporučuju se skladištenje ne duže od 3 meseca, što je duže vreme skladištenja, lošiji su ukus i ishrana), pogodni za zamrznutu svežu hranu.
6	0 zvezdica	-6 ~ 0	Sveža svinjetina, govedina, riba, piletina, neke upakovane prerađene namirnice itd. (Preporučuje se da se jede u toku istog dana, po mogućnosti ne skladištiti duže od 3 dana). Delimično inkapsulirana prerađena hrana (hrana koja se ne može zamrzavati).
7	Hlađenje	-2 ~ +3	Sveže/zamrznuto svinjetina, govedina, piletina, proizvodi iz slatkovodnih voda, itd. (7 dana ispod 0°C i iznad 0°C, preporučuje se konzumiranje u toku istog dana, poželjno ne duže od 2 dana). Morski plodovi (manje od 0 za 15 dana, ne preporučuje se skladištenje iznad 0°C).
8	Sveža hrana	0 ~ +4	Sveža svinjetina, govedina, riba, piletina, kuvana hrana itd. (Preporučuje se da se jede u toku istog dana, poželjno ne duže od 3 dana)
9	Vino	+5 ~ +20	Crveno vino, belo vino, penušavo vino itd.

PAŽNJA

Različite namirnice skladištite u skladu sa odeljcima ili potrebnom ciljnom temperaturom skladištenja.

ČIŠĆENJE I ODRŽAVANJE

Opšte čišćenje

- Prašinu iza frižidera i na podu treba blagovremeno čistiti kako bi se povećao efekat hlađenja i ušteda energije.
- Redovno proveravajte zaptivku vrata da biste bili sigurni da nema otpada. Očistite zaptivku vrata mekom krpom koja je navlažena u sapunicu ili razblaženi deterdžent.
- Unutrašnjost frižidera treba redovno čistiti kako bi se izbegao neprijatan miris.
- Isključite struju pre čišćenja unutrašnjosti, uklonite svu hranu, pića, police, fioke, itd.
- Koristite meku krpu ili sunđer za čišćenje unutrašnjost frižidera, sa dve kašike sode bikarbone i litar tople vode. Zatim isperite vodom i obrišite. Nakon čišćenja otvorite vrata i pustite da se prirodno osuši pre uključivanja u struju.
- Za područja koja je teško očistiti u frižideru (poput uskih sendviča, praznina ili uglova), preporučuje se da ih redovno brišete mekom krpom, mekom četkom, itd. i po potrebi kombinujete sa nekim pomoćnim alatima (npr. tankim štapićima) kako bi se obezbedilo da se na tim područjima ne nakupljaju zagađivači ili bakterije.
- Ne koristite sapun, deterdžent, prašak za ribanje, sredstvo za čišćenje u spreju, itd., jer to može prouzrokovati neprijatne mirise u unutrašnjosti frižidera ili kontaminiranu hranu.
- Očistite okvir za flaše, police i fioke mekom krpom koja je navlažena u sapunicu ili razblaženi deterdžent. Osušite mekom krpom ili osušite prirodno.
- Obrišite spoljašnju površinu frižidera mekom krpom koja je navlažena sapunicom, deterdžentom, itd, a zatim je obrišite suvom krpom.
- Nemojte koristiti tvrde četke, čelične kuglice za čišćenje, žičane četke, abrazivna sredstva (kao što su paste za zube), organske rastvarače (kao što su alkohol, aceton, ulje banane, itd.), ključalu vodu, kisele ili alkalne predmete koji mogu da oštete površinu i unutrašnjost frižidera. Ključala voda i organski rastvarači, kao što je benzen, mogu deformisati ili oštetiti plastične delove.
- Tokom čišćenja nemojte ispirati direktno vodom ili drugim tečnostima da biste izbegli kratak spoj ili uticali na električnu izolaciju nakon potapanja.

PAŽNJA

Isključite frižider radi odmrzavanja i čišćenja.

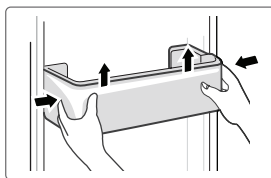
Odmrzavanje

- Frižider je napravljen po principu hlađenja vazduha i zato ima funkciju automatskog odmrzavanja. Mraz koji se formira zbog promene godišnjeg doba ili temperature može i ručno da se ukloni isključivanjem uređaja sa napajanja ili brisanjem suvim peškirom.

SR

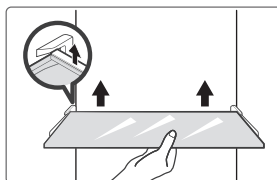
Čišćenje police za vrata

- Prema strelici smera na donjoj slici, sa obe ruke gurnite policu nagore, a zatim je možete izvaditi.
- Nakon pranja izvađene police možete da podesite njenu visinu ugradnje kako želite.



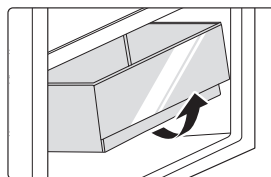
Čišćenje staklene police

- Kako najdublji unutrašnji deo podloge frižidera gde kontakt sa policama ima graničnik, morate da podignete police nagore, a zatim ih možete izvaditi.
- Podesite ili očistite police prema vašim potrebama.



Čišćenje fioke za povrće

1. Uklonite sadržaj fioke. Uхватite ručku fioke za povrće i izvucite je do kraja, dok se ne zaustavi.
2. Podignite fioku za povrće i izvucite je povlačenjem.



Prestanak rada

Nestanak struje:

U slučaju nestanka struje, čak i ako je to leti, hrana unutar uređaja može da se sačuva nekoliko sati; tokom nestanka struje, učestalost otvaranja vrata treba smanjiti i više ne stavljati svežu hranu u uređaj.

Dugotrajno nekorisćenje:

Uređaj treba isključiti i zatim očistiti; zatim ostaviti vrata otvorena kako bi se sprečio neprijatan miris.

Premeštanje:

Pre nego što premeštate frižider, izvadite sve predmete napolje, pričvrstite trakom staklene pregrade, držač povrća, fioke zamrzivača i sl., a zatim zategnite stopice za nivelisanje; zatvorite vrata i pričvrstite ih trakom. Tokom premeštanja, uređaj ne sme da se postavlja naopako ili horizontalno, niti da se trese; nagib tokom kretanja ne sme biti veći od 45°.

● PAŽNJA

Uređaj će neprekidno raditi nakon što se pokrene. Generalno, rad uređaja ne sme da se prekida, u suprotnom se vek trajanja može smanjiti.

OTKLANJANJE PROBLEMA

Sledeće jednostavne probleme može da reši korisnik. Ukoliko u tome ne uspete, pozovite postprodajno servisno odeljenje.

Problem	Mogući razlog
Uređaj ne radi	• Proverite da li je uređaj priključen na napajanje ili da li je utikač dobro priključen
	• Proverite da li je napon preizak
	• Proverite da li postoji prekid napajanja ili isključenje delimičnih kola
Miris	• Hranu koja odaje miris treba dobro umotati
	• Proverite da li ima trulih namirnica
	• Očistite unutrašnjost frižidera
Dugotrajni rad kompresora	• Dugotrajni rad frižidera je normalan leti kada je temperatura okoline visoka
	• Ne stavljajte previše hrane u uređaj odjednom
	• Hrana treba da se ohladi pre stavljanja u uređaj
	• Vrata se prečesto otvaraju
Svetlo se ne pali	• Proverite da li je frižider priključen na napajanje i da li je svetlo oštećeno
	• Neka svetlo zameni obučena osoba
Vrata se ne mogu dobro zatvoriti	• Ambalaža namirnica blokira vrata
	• Frižider je nagnut
Jaka buka	• Proverite da li je pod ravan i da li je frižider stabilno postavljen
	• Proverite da li je dodatna oprema pravilno postavljena

SR

Problem	Mogući razlog
Zaptivka vrata nije čvrsta	<ul style="list-style-type: none"> • Uklonite strane materije na zaptivki vrata • Zagrejte zaptivku vrata, a zatim je ohladite za obnovu (ili je izduvajte električnim sušačem ili koristite vrući peškiri za zagrevanje)
Posuda za vodu se preliva	<ul style="list-style-type: none"> • U odeljku ima previše hrane ili skladištena hrana sadrži previše vode, što dovodi do jačeg odmrzavanja • Vrata nisu dobro zatvorena, što dovodi do stvaranja ledenih naslaga, zbog ulaska vazduha i povećanja vode zbog odmrzavanja
Vruće kućište	<ul style="list-style-type: none"> • Odvođenje toplote ugrađenog kondenzatora preko kućišta, što je normalna pojava. Kada se kućište zagreje zbog visoke temperature okoline, skladištenja previše hrane ili isključivanja kompresora, obezbedite zvučnu ventilaciju kako biste olakšali odvođenje toplote
Površinska kondenzacija	<ul style="list-style-type: none"> • Kondenzacija na spoljašnjoj površini i zaptivkama vrata frižidera je normalna kad je vlažnost okoline prevelika. Dovoljno je da obrišete kondenzat čistim peškirom.
Neuobičajeni zvuk	<ul style="list-style-type: none"> • Zujanje: Kompresor može da proizvodi zujanje tokom rada, a zujanje je glasno, posebno prilikom pokretanja ili zaustavljanja. To je normalno. • Škripa: Rashladno sredstvo koje teče unutar uređaja može da proizvodi škripu, što je normalno.

DODATAK

Posebno za novi evropski standard

Poručene delove navedene u sledećoj tabeli možete nabaviti od dobavljača usluga

Naručeni deo	Dostavlja	Minimalno vreme potrebno za pružanje usluge
Termostati	Stručno osoblje za održavanje	Najmanje 7 godina od stavljanja posljednjeg modela na tržište
Senzori temperature	Stručno osoblje za održavanje	Najmanje 7 godina od stavljanja posljednjeg modela na tržište
Štampane ploče	Stručno osoblje za održavanje	Najmanje 7 godina od stavljanja posljednjeg modela na tržište
Izvor osvetljenja	Stručno osoblje za održavanje	Najmanje 7 godina od stavljanja posljednjeg modela na tržište
Ručice vrata	Profesionalni serviseri i krajnji korisnici	Najmanje 7 godina od stavljanja posljednjeg modela na tržište
Šarke vrata	Profesionalni serviseri i krajnji korisnici	Najmanje 7 godina od stavljanja posljednjeg modela na tržište
Tacne	Profesionalni serviseri i krajnji korisnici	Najmanje 7 godina od stavljanja posljednjeg modela na tržište
Korpe	Profesionalni serviseri i krajnji korisnici	Najmanje 7 godina od stavljanja posljednjeg modela na tržište
Zaptivke vrata	Profesionalni serviseri i krajnji korisnici	Najmanje 10 godina od stavljanja posljednjeg modela na tržište

SR

Poštovani kupci

1. Ako želite da vratite ili zamenite proizvod, kontaktirajte prodavnicu u kojoj ste kupovali. (Ne zaboravite da donesete račun za kupovinu)
2. Ako se vaš proizvod pokvari i treba da se popravi, kontaktirajte pružaoca postprodajne usluge.

PAŽNJA

Informacije o modelu u bazi podataka o proizvodima, kao i identifikator modela, mogu se saznati na linku koji se otvara kada se skenira QR kod na nalepnici o energetske efikasnosti na proizvodu.

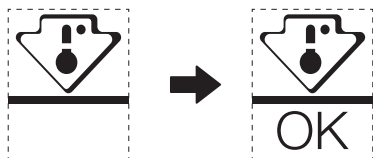
Za više informacija o energetske efikasnosti uređaja, posetite <https://ec.europa.eu> i pretražite koristeći naziv modela.

Naziv modela se može naći na etiketi uređaja.

Najhladnija zona u frižideru

OPCIJA: Indikator temperature OK

- Indikator temperature OK može da se koristi za određivanje temperatura ispod +4°C. Postepeno smanjite temperaturu ako znak ne pokazuje „OK“.



- Da bi se održavala ujednačena temperatura u ovoj oblasti, nemojte menjati položaj police. Kod frižidera sa protokom vazduha (uređaji sa ventilatorom ili modeli „bez zaleđivanja“) simbola najhladnije zone nema jer je temperatura unutrašnjosti svuda ista.

Indikator podešavanja temperature

- Da biste dobro podesili frižider, koristite indikator temperature koji prati prosečnu temperaturu u najhladnijoj zoni.
- UPOZORENJE:** Ovaj indikator je projektovan tako da funkcioniše samo sa vašim frižiderom. Nemojte ga koristiti za druge frižidere (najhladnija zona nije ista) niti u druge svrhe.

Provera temperature u najhladnijoj zoni

- Pomoću indikatora temperature možete redovno da proveravate da li je temperatura u najhladnijoj zoni ispravna. Unutrašnja temperatura frižidera zavisi od nekoliko činilaca, kao što su temperatura okruženja u prostoriji, količina hrane u uređaju i učestalost otvaranja vrata. Uzmite ove činioce u obzir kada podešavate uređaj.
- Kada se na indikatoru pokaže „OK“, to znači da je termostat dobro podešen i da je unutrašnja temperatura ispravna.
- Ukoliko indikator temperature postane BEO, to znači da je temperatura previsoka. U tom slučaju postavite podešavanje temperature frižidera na višu vrednost i sačekajte 12 sati, a zatim ponovo vizuelno proverite indikator. Kada u uređaj stavite sveže namirnice ili ostavite otvorena vrata, moguće je da će indikator temperature postati BEO posle nekog vremena.

PISMO ZAHVALE

Hvala što ste odabrali Mideu! Prije korištenja novog proizvoda tvrtke Midea temeljito pročitajte ovaj priručnik kako biste bili sigurni da znate na siguran način upravljati značajkama i funkcijama svog novog aparata.

SADRŽAJ

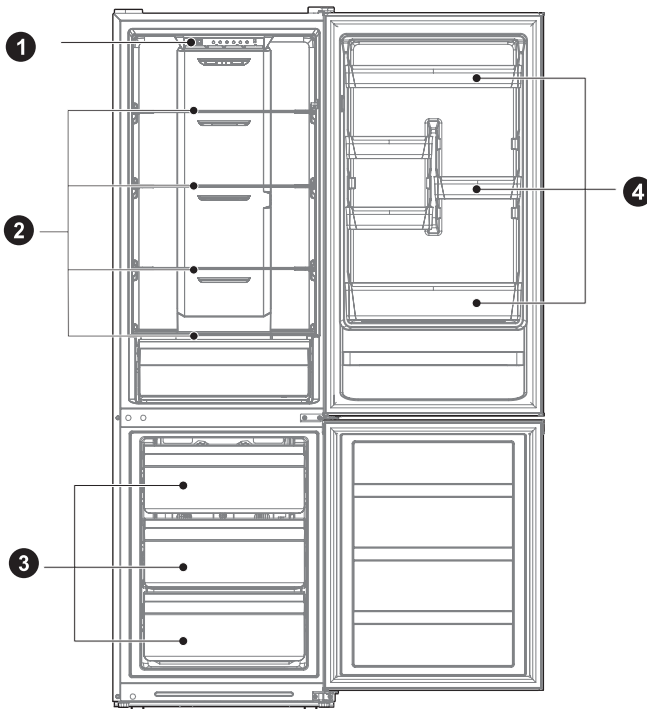
PISMO ZAHVALE	01
SPECIFIKACIJE	02
PREGLED PROIZVODA	03
UGRADNJA PROIZVODA	04
RADNE UPUTE	11
ČIŠĆENJE I ODRŽAVANJE	15
RJEŠAVANJE PROBLEMA	17
DODATAK	19

SPECIFIKACIJE

Model proizvoda	MDRB424FGE
Kapacitet pretinca za pohranu svježe hrane	224 L
Volumen pohrane smerznute hrane	86 L
Vrsta	Automatsko odmrzavanje
Vrijeme povećanja temperature	8 h
Kapacitet zamrzavanja	3,9 kg / 24 h
Nazivni napon/frekvencija	220-240V~/50Hz
Nazivna jakost struje	0.8A
Ukupne dimenzije (V x Š x D)	1880x595x630mm

PREGLED PROIZVODA

Nazivi komponentata



1 LED svjetlo

2 Polica

3 Ladica

4 Plitica u vratima

● PAŽNJA

Gornja slika služi samo kao referenca. Stvarna konfiguracija ovisit će o fizičkom proizvodu ili izjavi distributera

HR

UGRADNJA PROIZVODA

Upute za ugradnju

Za rashladne uređaje s klimatskim razredom

- Ovisno o klimatskom razredu, ovaj rashladni uređaj namijenjen je uporabi u temperaturnim rasponima okoline kako je navedeno u sljedećoj tablici.
- Klimatski razred može se pronaći na natpisnoj pločici. Proizvod možda neće ispravno raditi na temperaturama izvan navedenog raspona.
- Klimatski razred možete pronaći na etiketi proizvoda.

Učinkovit temperaturni raspon

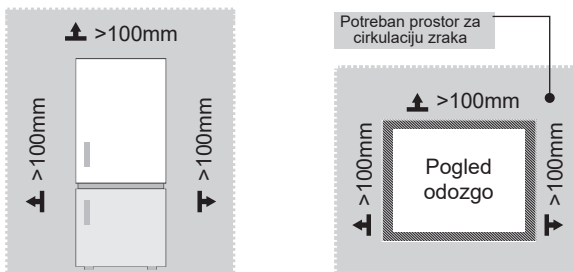
- Proizvod je konstruiran za normalan rad u temperaturnom rasponu koji je određen ocjenom razreda.

Razred	Simbol	Raspon temperature okoline °C	
		IEC 62552 (ISO 15502)	ISO 8561
Prošireni umjereni	SN	+ 10 do + 32	+ 10 do + 32
Umjereni	N	+ 16 do + 32	+ 16 do + 32
Subtropski	ST	+ 16 do + 38	+ 18 do + 38
Tropski	T	+ 16 do + 43	+ 18 do + 43

HR

Dimenzije i razmaci

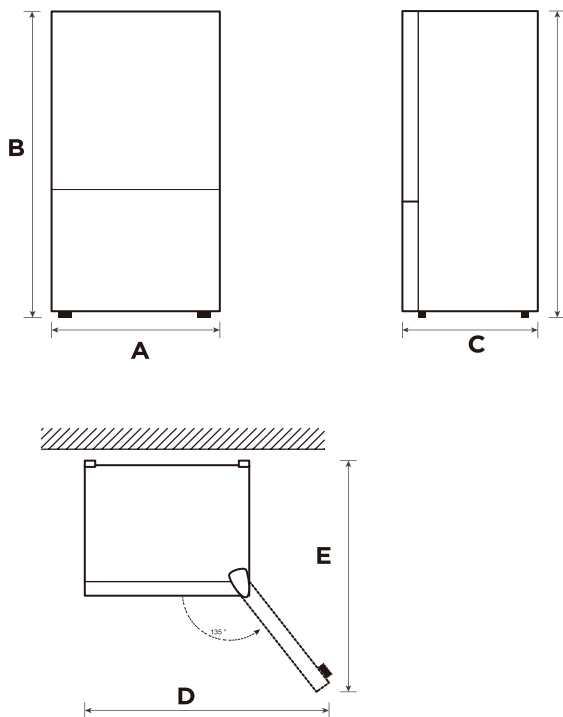
- Premala udaljenost od susjednih predmeta može dovesti do smanjenja sposobnosti zamrzavanja i povećanja troškova električne energije. Ostavite više od 100 mm slobodnog prostora od svakog susjednog zida kada postavljate uređaj.



PAŽNJA

Gornja slika služi samo kao referenca. Stvarna konfiguracija ovisit će o fizičkom proizvodu ili izjavi distributera

Dijagram potrebnog prostora (kada su vrata otvorena i kada su vrata zatvorena)



HR

Širina	Ukupna visina	Dubina	Širina otvaranja vrata 135°	Dubina otvaranja vrata 135°
A	B	C	D	E
595	1880	630	988	1074

Napomena: Sve dimenzije u mm

Promjena vrata desno-lijevo (opcionarno)

Ovisno o mjestu na kojem planirate koristiti hladnjak, možda će vam biti zgodnije obrnuti položaj vrata.

OPREZ

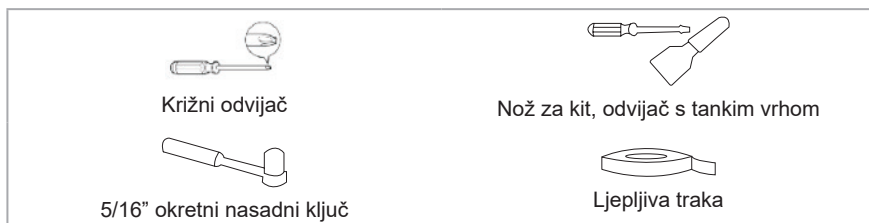
OPREZ: Kako biste izbjegli ozljede sebe ili svoje imovine, preporučujemo da vam netko pomogne tijekom procesa preokretanja vrata.

Priprema za promjenu položaja vrata

Trebat će vam: Standardni odvijač, križni odvijač i priloženi imbus ključ.

- Provjerite je li vaš hladnjak isključen i prazan.
- Neka vam netko pomogne u procesu.
- Sačuvajte sve dijelove koje ste uklonili kako biste ih kasnije ponovno upotrijebili.

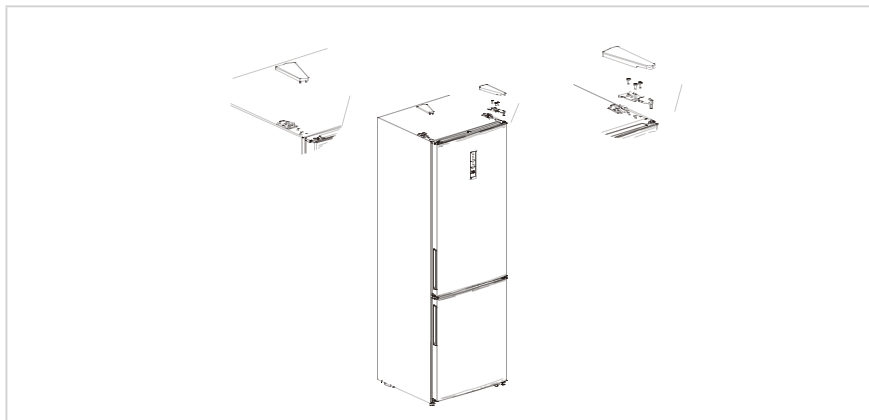
Alati potrebni za promjenu vrata:



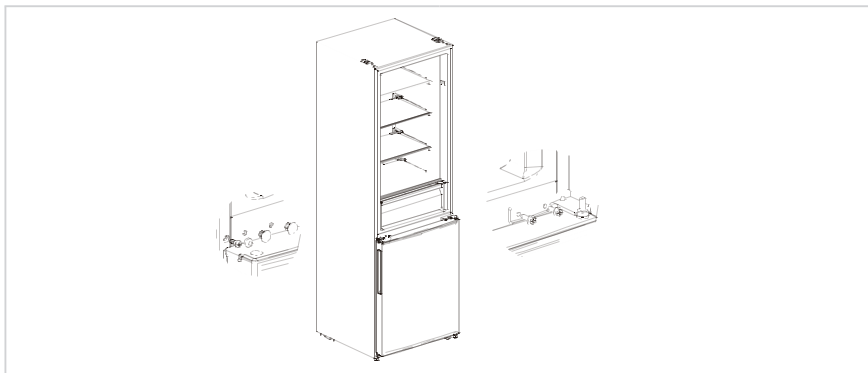
HR

Korak

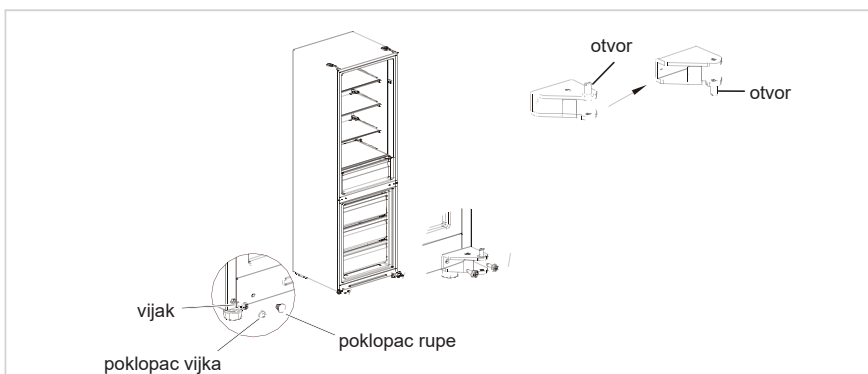
1. Isključite hladnjak i uklonite sve predmete s plitica u vratima.
2. Rastavite poklopac gornje šarke, odvojite signalne žice, gornju šarku i poklopac rupe s druge strane, uklonite vrata hladnjaka.



3. Rastavite srednju šarku, vijke, kapice rupa za vijke i uklonite vrata zamrzivača.

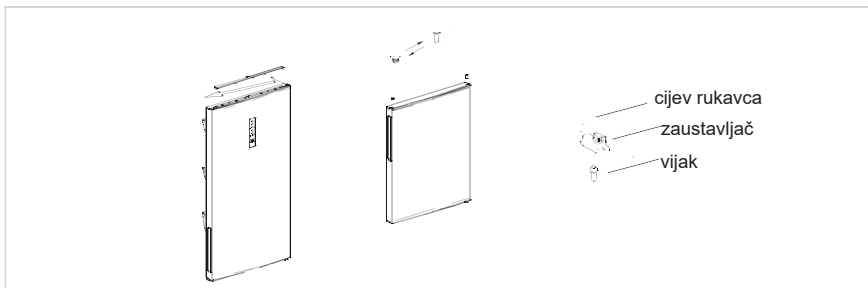


4. Rastavite donju šarku, kapice rupa i vijke, ugradite osovinu donje šarke na drugu stranu donje šarke, zatim postavite šarku na drugu stranu.

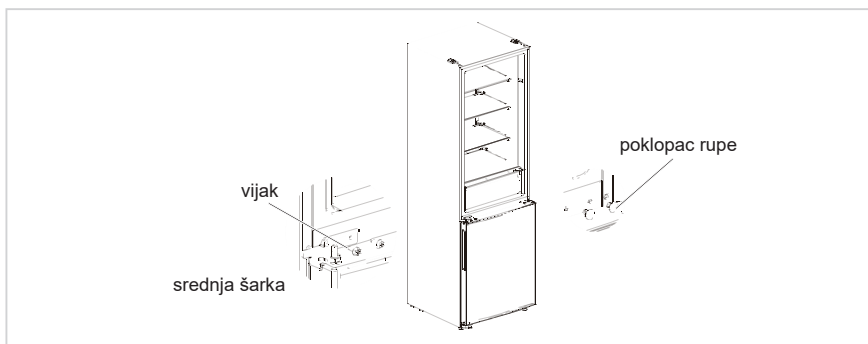


HR

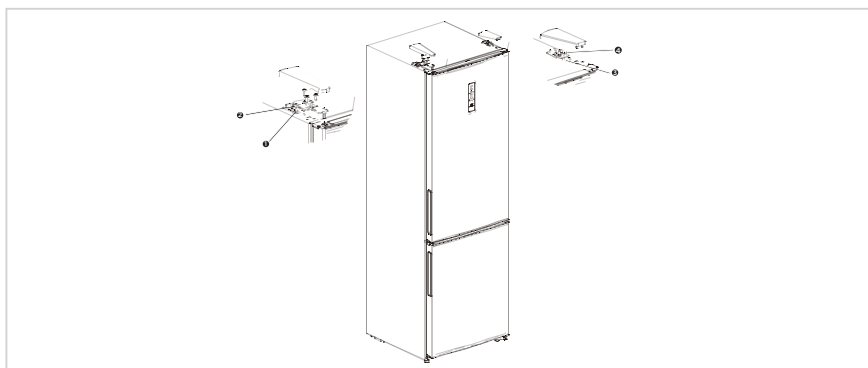
5. Demontirajte vijke, manžetnu cijev i čep na donjem krajnjem poklopcu dva kućišta vrata, te ih redom montirajte na drugu stranu tijela vrata (čep je potrebno zamijeniti iz dodatne vrećice). Zatim skinite gornji krajnji poklopac vrata hladnjaka i prebacite kabelski svežanj s nastavnom cijevi na drugu stranu kućišta vrata. Na kraju postavite cijev gornje šarke na vratima hladnjaka u rupu na drugoj strani gornjeg krajnjeg poklopca vrata hladnjaka.



6. Stavite vrata zamrzivača na donju šarku, postavite srednju šarku, vijke i kapice rupa za vijke.



7. Postavite tijelo vrata za odjeljak hladnjaka na srednju šarku, zatim postavite gornju šarku na drugu stranu ormarića, na kraju spojite priključke 1, 2 za signalne žice na bočnoj strani gornjeg šarka i priključke 3, 4 na drugu stranu i pokrijte poklopac šarke i poklopac otvora.



HR

● PAŽNJA

Gornja slika služi samo kao referenca. Stvarna konfiguracija ovisit će o fizičkom proizvodu ili izjavi distributera.

Postavljanje

- Prije uporabe uklonite sav materijal za pakiranje, uključujući donje jastuke, jastučice od pjene i trake iz hladnjaka; otkinuti zaštitni film na vratima i kućištu hladnjaka.
- Držite dalje od topline i izbjegavajte izravnu sunčevu svjetlost. Ne stavljajte zamrzivač na vlažna ili vodena mjesta kako biste spriječili hrđu ili smanjili izolacijski učinak.
- Ne prskajte i ne perite hladnjak; ne stavljajte hladnjak na vlažna mjesta koja se lako prskaju vodom kako ne bi utjecala na svojstva električne izolacije hladnjaka.
- Hladnjak se postavlja na dobro prozračeno zatvoreno mjesto; tlo mora biti ravno i čvrsto (zakrenuti lijevo ili desno da podesite kotač za niveliranje ako je nestabilan).

Nožice za niveliranje

Kako biste izbjegli vibracije, uređaj mora biti niveliran.

Ako je potrebno, podesite vijke za izravnavanje kako biste kompenzirali neravnine poda.

Prednja strana treba biti malo viša od stražnje kako bi se pomoglo pri zatvaranju vrata.

Vijci za niveliranje mogu se lako okrenuti laganim naginjanjem kućišta.

Okrenite vijke za izravnavanje u smjeru suprotnom od kazaljke na satu  kako biste podigli jedinicu, a u smjeru kazaljke na satu  kako biste je spustili.

Premještanje uređaja

1. Uklonite svu hranu iz unutrašnjosti uređaja.
2. Izvucite utikač, umetnite ga i pričvrstite u kuku za utikač na stražnjoj ili gornjoj strani uređaja.
3. Zalijepite dijelove kao što su police i ručka na vratima kako biste spriječili da otpadnu tijekom pomicanja uređaja.
4. Pažljivo premještajte uređaj s više od dvije osobe. Kada prenosite uređaj na velike udaljenosti, držite ga uspravno.
5. Nakon postavljanja uređaja, uključite utikač u utičnicu kako biste uključili uređaj.

PAŽNJA

Mjere predostrožnosti prije rada:

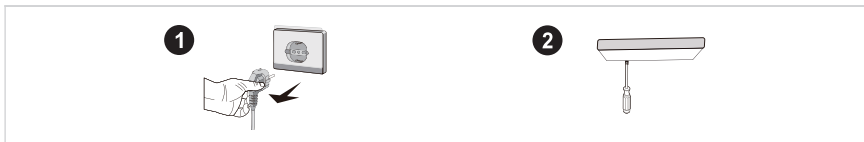
Prije izmjena hladnjak mora biti isključen iz struje. potrebno je poduzeti mjere opreza kako bi se spriječile bilo kakve osobne ozljede.

Mijenjanje svjetla

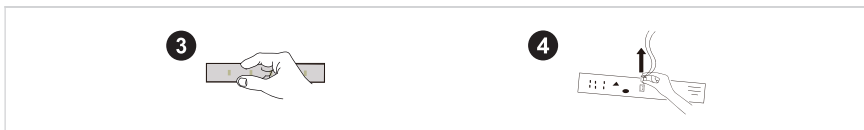
- Svaku zamjenu ili održavanje LED svjetiljki smije izvršiti proizvođač, njegov serviser ili slična kvalificirana osoba. Ovaj proizvod sadrži izvor svjetlosti razreda energetske učinkovitosti <F>.

Korak

1. Prije vađenja izvadite utikač.
2. Uklonite sjenilo lampe odvijačem



3. Skinite ploču lampe.
4. Uklonite priključni terminal.



Priključivanje uređaja

Prije prvog pokretanja pustite da hladnjak miruje pola sata prije spajanja na napajanje.

● PAŽNJA

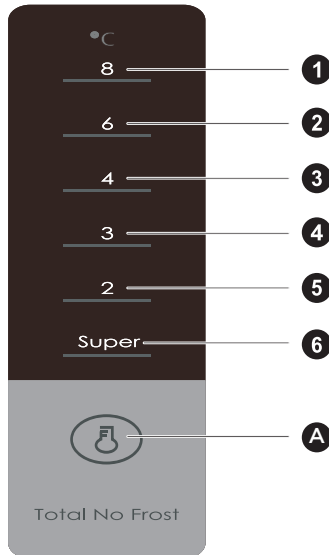
Prije stavljanja bilo kakve svježe ili smrznute hrane, hladnjak je trebao raditi 2-3 sata ili ljeti više od 4 sata kada je temperatura okoline visoka.

Savjeti za uštedu energije

- Uređaj bi trebao biti smješten u najhladnijem prostoru sobe, dalje od uređaja za proizvodnju topline ili kanala za grijanje i izvan izravne sunčeve svjetlosti.
- Ostavite vruću hranu da se ohladi na sobnu temperaturu prije stavljanja u uređaj. Preopterećenje uređaja prisiljava kompresor da dulje radi. Hrana koja se previše sporo smrzava može izgubiti kvalitetu ili se pokvariti.
- Pazite da hranu pravilno zamotate i posude dobro obrišite prije stavljanja u aparat. To smanjuje nakupljanje mraza u uređaju.
- Koš za odlaganje uređaja ne smije biti obložena aluminijskom folijom, voštanim papirom ili papirnatim ubrusom. Obloge ometaju cirkulaciju hladnog zraka, čineći uređaj manje učinkovitim.
- Organizirajte i označite hranu kako biste smanjili otvaranje vrata i produžena pretraživanja. Uklonite odjednom što više stvari i što prije zatvorite vrata.

RADNE UPUTE

Upravljačka ploča



● PAŽNJA

Gornja slika služi samo kao referenca. Stvarna konfiguracija ovisit će o fizičkom proizvodu ili izjavi distributera.

Tipka

A	Gumb za podešavanje temperature
---	---------------------------------

Zaslon

1	postavka temperature 1
2	postavka temperature 2
3	postavka temperature 3
4	postavka temperature 4
5	postavka temperature 5
6	postavka temperature 6

Zaslon

Kada uključite hladnjak, zaslon (uključujući svjetlo tipke) će svijetliti punim intenzitetom 3 sekunde, a zatim hladnjak radi prema postavci temperature 3.

Prikaz normalnog rada

U slučaju kvara, odgovarajuća LED lampica dat će kombinirani prikaz koda kvara (u prikazu recikliranja);

Gdje nema greške, LED svjetlo će prikazati postojeću postavku temperature.

PAŽNJA

Stvarna upravljačka ploča može se razlikovati od modela do modela.

Radne upute

Postavljanje zupčanika

- Postavka temperature će se promijeniti jednom svaki put kada pritisnete tipku SET. Tada će hladnjak raditi pod novom postavkom nakon 15 sekundi.

Postavka 1 → Postavka 2 → Postavka 3 → Postavka 4 → Postavka 5 → Postavka 6 → Postavka 1 →

Način brzog hlađenja:

- Unos: Način brzog hlađenja cirkulacijske modulacije.
- Rad: Pali se indikator brzog hlađenja, a hladnjak radi na 2°C.
- Način brzog hlađenja automatski je onemogućen na 24 sata.
- Funkcija brzog hlađenja može se koristiti kao funkcija super zamrzavanja.

Ručno podešavanje zaklopke zraka

- Okrenite klizač zaklopke zraka prema gore, stvarna temperatura unutar zamrzivača će pasti, okrenite klizač zaklopke zraka prema dolje, stvarna temperatura unutar prostorije za zamrzavanje će porasti.

ZAMRZIVAČ-TEMP

NAJHLADNIJE
|
HLADNIJECOLDER
|
HLADNOCOLD



Kod pogreške

- Sljedeća upozorenja koja se pojavljuju na zaslonu ukazuju na odgovarajuće kvarove hladnjaka. Iako hladnjak još uvijek može imati funkciju hlađenja i zamrzavanja sa sljedećim kvarovima, korisnik će kontaktirati stručnjaka za održavanje radi održavanja, kako bi se osigurala normalna uporaba hladnjaka.

Oznaka kvara	Opis kvara
LED 1 i LED 2 upaljene	Krug osjetnika temperature hladnjaka
LED 1 i LED 3 upaljene	Senzor odmrzavanja zamrzivača
LED 1 i LED 4 upaljene	Senzor temperature okoline

● PAŽNJA

Napomena: Funkcija brzog zamrzavanja dizajnirana je za održavanje nutritivne vrijednosti hrane u zamrzivaču. Može zamrznuti hranu u najkraćem vremenu. Ako se odjednom zamrzne velika količina hrane, preporučuje se da korisnik uključi funkciju brzog zamrzavanja i stavi hranu. U tom trenutku povećava se brzina zamrzavanja odjeljka za zamrzavanje, što može brzo zamrznuti hranu, učinkovito očuvati nutritivnu vrijednost hrane i olakšati skladištenje.

Rashladna komora

- Rashladna komora prikladna je za skladištenje raznih vrsta voća, povrća, pića i druge hrane potrošene u kratkom roku, predloženo vrijeme skladištenja 3dana do 5dana.
- Hrana za kuhanje ne smije se stavljati u rashladnu komoru dok se ne ohladi na sobnu temperaturu.
- Hranu je preporučljivo zatvoriti prije stavljanja u hladnjak.
- Staklene police mogu se namjestiti gore ili dolje za razumnu količinu prostora za pohranu i jednostavnu uporabu.

HR

Komora za zamrzavanje

- Komora za zamrzavanje na niskim temperaturama može dugo vremena održavati hranu svježom i uglavnom se koristi za skladištenje smrznute hrane i pravljenje leda.
- Komora za zamrzavanje prikladna je za skladištenje mesa, ribe, rižinih kuglica i ostale hrane koja se ne smije konzumirati u kratkom roku.
- Komade mesa poželjno je podijeliti na male komade radi brzog zamrzavanja i lakog pristupa. Napominjemo da će se hrana konzumirati u roku skladištenja.

● PAŽNJA

Napomena: Pohrana prevelike količine hrane tijekom rada nakon početnog priključivanja na napajanje može negativno utjecati na učinak zamrzavanja hladnjaka.

Redoslijed	TIP pretinaca	Ciljana temp. pohrane [°C]	Prikladna hrana
1	Hladnjak	+2 ~ +8	Jaja, kuhana hrana, pakirana hrana, voće i povrće, mliječni proizvodi, kolači, pića i druga hrana nisu prikladni za zamrzavanje.
2	(***)*-Zamrzivač	≤-18	Morski plodovi (riba, škampi, školjke), proizvodi iz slatkovodnih voda i mesni proizvodi (preporučeno 3 mjeseca, što je duže vrijeme skladištenja, to je lošiji okus i nutritivna vrijednost), prikladno za smrznutu svježiju hranu.
3	***-Zamrzivač	≤-18	Morski plodovi (riba, škampi, školjke), proizvodi iz slatkovodnih voda i mesni proizvodi (preporučeno 3 mjeseca, što je duže vrijeme skladištenja, to je lošiji okus i nutritivna vrijednost), prikladno za smrznutu svježiju hranu.
4	** -Zamrzivač	≤-12	Morski plodovi (riba, škampi, školjke), proizvodi iz slatkovodnih voda i mesni proizvodi (preporučeno 3 mjeseca, što je duže vrijeme skladištenja, to je lošiji okus i nutritivna vrijednost), prikladno za smrznutu svježiju hranu.
5	*-Zamrzivač	≤-6	Morski plodovi (riba, škampi, školjke), proizvodi iz slatkovodnih voda i mesni proizvodi (preporučeno 3 mjeseca, što je duže vrijeme skladištenja, to je lošiji okus i nutritivna vrijednost), prikladno za smrznutu svježiju hranu.
6	0-zvjezdica	-6 ~ 0	Svježa svinjetina, govedina, riba, piletina, pojedina pakirana prerađena hrana itd. (Preporuča se pojesti unutar istog dana, po mogućnosti ne više od 3 dana). Djelomično inkapsulirana prerađena hrana (hrana koja se ne zamrzava).
7	Hlađenje	-2 ~ +3	Svježa/smrznuta svinjetina, govedina, piletina, proizvodi iz slatkovodnih voda, itd. (7 dana ispod 0°C i iznad 0°C preporučuje se konzumacija unutar tog dana, po mogućnosti ne dulje od 2 dana). Plodovi mora (manje od 0 za 15 dana, ne preporučuje se čuvanje iznad 0°C).
8	Svježa hrana	0 ~ +4	Svježa svinjetina, govedina, riba, piletina, kuhana hrana itd. (Preporuča se pojesti unutar istog dana, najbolje ne duže od 3 dana)
9	Vino	+5 ~ +20	Crvena vina, bijela vina, pjenušci itd.

PAŽNJA

pohranite različite namirnice u skladu s odjeljcima ili ciljanom temperaturom skladištenja kupljene hrane.

ČIŠĆENJE I ODRŽAVANJE

Ukupno čišćenje

- Prah iza hladnjaka i na zemlji mora se pravovremeno očistiti kako bi se poboljšao učinak hlađenja i ušteda energije.
- Redovito provjeravajte brtvu vrata kako biste bili sigurni da nema smeća. Očistite brtvu vrata mekom krpom navlaženom vodom sa sapunicom ili razrijeđenim deterdžentom.
- Unutrašnjost hladnjaka treba redovito čistiti kako bi se izbjegao miris.
- Isključite napajanje prije čišćenja unutrašnjosti, uklonite svu hranu, piće, police, ladice itd.
- Mekom krpom ili spužvom očistite unutrašnjost hladnjaka s dvije žlice sode bikarbone i litru tople vode. Zatim isperite vodom i obrišite. Nakon čišćenja otvorite vrata i pustite da se prirodno osuši prije uključivanja napajanja.
- Za područja koja je teško očistiti u hladnjaku (poput uskih sendviča, praznina ili kutova), preporučuje se redovito ih brisati mekom krpom, mekom četkom itd. I po potrebi kombinirati s nekim pomoćnim alatima (poput tanki štapići) kako bi se osiguralo da se na tim područjima ne nakupljaju zagađivači ili bakterije.
- Ne koristite sapun, deterdžent, prašak za ribanje, sredstvo za čišćenje u spreju itd., jer to može uzrokovati mirise u unutrašnjosti hladnjaka ili onečišćenu hranu.
- Očistite okvir boca, police i ladice mekom krpom navlaženom sapunicom ili razrijeđenim deterdžentom. Osušite mekom krpom ili pustite da se prirodno osuši.
- Obrišite vanjsku površinu hladnjaka mekom krpom navlaženom vodom sa sapunicom, deterdžentom itd., a zatim je obrišite suhom krpom.
- Ne upotrebljavajte tvrde četke, čiste čelične kuglice, žičane četke, abrazive (poput pasta za zube), organska otapala (kao što su alkohol, aceton, ulje banane itd.), Kipuću vodu, kiseline ili alkalne predmete koji mogu oštetiti površinu hladnjaka. i unutrašnjost. Vrela voda i organska otapala poput benzena mogu deformirati ili oštetiti plastične dijelove.
- Tijekom čišćenja nemojte ispirati izravno vodom ili drugim tekućinama kako biste izbjegli kratki spoj ili utjecali na električnu izolaciju nakon potapanja.

PAŽNJA

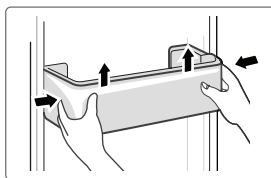
Molimo isključite hladnjak za odmrzavanje i čišćenje.

Odmrzavanje

- Hladnjak je proizveden na temelju hlađenja zrakom i stoga ima funkciju odmrzavanja. Inje nastalo zbog promjene godišnjeg doba ili temperature može se ukloniti i ručnim isključivanjem uređaja iz napajanja ili brisanjem suhim ručnikom.

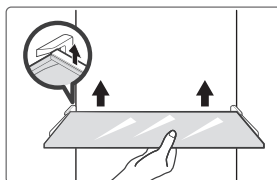
Čišćenje ladice vrata

- Prema strelici smjera na donjoj slici, upotrijebite obje ruke ladicu i gurnite je prema gore, a zatim je možete izvaditi.
- Nakon što ste izvadili ladicu, možete podesiti njenu visinu u skladu sa svojim zahtjevima.



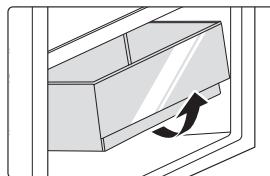
Čišćenje staklene police

- Kako unutarnji dio obloge hladnjaka gdje kontakt s policama ima zapornicu, podignite police prema gore, a zatim je možete izvaditi.
- Podesite ili očistite police prema vašim zahtjevima.



Čišćenje ladice za povrće

1. Izvadite sadržaj ladice. Držite ručku ladice za povrće i potpuno je izvucite dok se ne zaustavi.
2. Podignite ladicu za povrće i izvadite je izvlačenjem.



HR

Van funkcije

Prekid napajanja:

U slučaju nestanka struje, čak i ljeti, hrana unutar uređaja može se držati nekoliko sati; tijekom nestanka struje, vrijeme otvaranja vrata smanjit će se i u uređaj se više neće stavljati svježja hrana.

Dugotrajna neuporaba:

Uređaj treba isključiti i zatim očistiti; tada vrata ostaju otvorena kako bi se spriječio miris.

Premještanje:

Prije premještanja hladnjaka izvadite sve predmete iznutra, pričvrstite trakom staklene pregrade, držač povrća, ladice komore za zamrzavanje i slično, te pritegnite nožice za izravnavanje; zatvorite vrata i popravite ih trakom. Tijekom premještanja, uređaj ne smije biti postavljen naopako ili vodoravno niti vibrirati. Nagib tijekom premještanja ne smije biti veći od 45°.

● PAŽNJA

Nakon pokretanja uređaj će neprekidno raditi. Načelno se rad uređaja ne smije prekidati jer se inače vijek njegova trajanja može smanjiti.

RJEŠAVANJE PROBLEMA

Sljedeće probleme možete pokušati riješiti sami. Ako ne uspijete, molimo da se obratite ovlaštenom servisu.

Problem	Mogući razlog
Neispravan rad	• Provjerite je li uređaj priključen na struju ili je li utikač ima kontakt.
	• Provjerite je li napon prenizak
	• Provjerite postoji li prekid napajanja ili su se isključili djelomični krugovi.
Neugodan miris	• Hrana s mirisom mora biti čvrsto zamotana.
	• Provjerite ima li trule hrane.
	• Očistite unutrašnjost hladnjaka.
Dugotrajni rad kompresora.	• Dugotrajni rad hladnjaka normalan je ljeti kada je temperatura okoline visoka.
	• Nije sugestivno imati previše hrane u uređaju istodobno.
	• Hrana će se ohladiti prije stavljanja u uređaj.
Svjetlo se ne pali	• Vrata se prečesto otvaraju.
	• Provjerite je li hladnjak priključen na napajanje i je li rasvjetno tijelo oštećeno.
	• Zamjenu svjetla prepustite stručnjaku
Vrata se ne mogu pravilno zatvoriti	• Vrata su zaglavljena paketima hrane
	• Hladnjak je nagnut.
Glasna buka	• Provjerite je li pod ravan i je li hladnjak stabilno postavljen.
	• Provjerite nalazi li se pribor na ispravnim mjestima

Problem	Mogući razlog
Brtva vrata nije čvrsta	<ul style="list-style-type: none"> • Uklonite strane stvari na brtvi vrata. • Zagrijte brtvu vrata, a zatim je ohladite za restauraciju (ili je ispuhnite električnim sušilom ili koristite vrući ručnik za zagrijavanje).
Posuda za vodu se prelijeva	<ul style="list-style-type: none"> • U komori ima previše hrane ili skladištena hrana sadrži previše vode, što rezultira jakim odmrzavanjem. • Vrata nisu ispravno zatvorena, što rezultira zamrzavanjem zbog ulaska zraka i povećanom količinom vode zbog odmrzavanja
Vruće kućište	<ul style="list-style-type: none"> • Odvođenje topline ugrađenog kondenzatora preko kućišta, što je normalno Kada se kućište zagrije zbog visoke temperature okoline, skladištenja previše hrane ili isključivanja kompresora, osigurajte zvučnu ventilaciju kako biste olakšali odvođenje topline
Površinska kondenzacija	<ul style="list-style-type: none"> • Kondenzacija na vanjskoj površini i brtvama vrata hladnjaka normalna je kad je vlažnost okoline previsoka. Dovoljno je obrisati kondenzat čistim ručnikom.
Neuobičajena buka	<ul style="list-style-type: none"> • Zvuk zujanja: Kompresor može stvarati zvuk zujanja tijekom rada, koji je posebno jak pri pokretanju ili zaustavljanju. To je normalno. • Škripanje: Rashladno sredstvo koje teče unutar uređaja može uzrokovati škripanje što je normalno.

DODATAK

Posebno za novi europski standard

Naručeni dijelovi u sljedećoj tablici mogu se nabaviti putem kanala davatelja usluga

Naručeni dio	Pružatelj	Minimalno vrijeme potrebno za nabavu
Termostati	Stručno osoblje za održavanje	Najmanje 7 godina nakon što je posljednji model lansiran na tržište
Senzori temperature	Stručno osoblje za održavanje	Najmanje 7 godina nakon što je posljednji model lansiran na tržište
Tiskane pločice	Stručno osoblje za održavanje	Najmanje 7 godina nakon što je posljednji model lansiran na tržište
Izvor rasvjete	Stručno osoblje za održavanje	Najmanje 7 godina nakon što je posljednji model lansiran na tržište
Ručke na vratima	Profesionalni serviseri i krajnji korisnici	Najmanje 7 godina nakon što je posljednji model lansiran na tržište
Šarke na vratima	Profesionalni serviseri i krajnji korisnici	Najmanje 7 godina nakon što je posljednji model lansiran na tržište
Plitice	Profesionalni serviseri i krajnji korisnici	Najmanje 7 godina nakon što je posljednji model lansiran na tržište
Košare	Profesionalni serviseri i krajnji korisnici	Najmanje 7 godina nakon što je posljednji model lansiran na tržište
Brtve vrata	Profesionalni serviseri i krajnji korisnici	Najmanje 10 godina nakon što je posljednji model lansiran na tržište

HR

Poštovani kupče

1. Ako želite vratiti ili zamijeniti proizvod, kontaktirajte trgovinu u kojoj kupujete.
(Ne zaboravite ponijeti račun za kupnju)
2. Ako se vaš proizvod pokvari i treba ga popraviti, kontaktirajte davatelja usluga nakon prodaje.

PAŽNJA

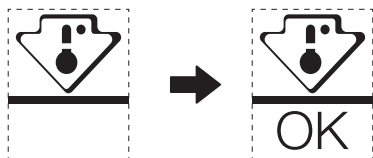
Informacije o modelu u bazi podataka o proizvodu, kao i identifikator modela, mogu se dobiti putem web-poveznice skenirane QR kodom, ako postoji, na naljepnici energetske učinkovitosti proizvoda. Za više informacija o energetske učinkovitosti uređaja posjetite <https://ec.europa.eu> i pretražite pomoću naziva modela.

Naziv modela nalazi se na oznaci uređaja.

Najhladnija zona u hladnjaku

DODATNO: OK-indikator temperature

- OK-indikator temperature može se koristiti za određivanje temperatura ispod +4°C. Postupno smanjite temperaturu ako znak ne pokazuje "OK".



- Kako biste osigurali temperaturu u tom području, nemojte mijenjati položaj police. Hladnjaci s hlađenjem pod pritiskom (opremljeni ventilatorom ili modeli bez inja), simbol najhladnije zone nije predstavljen jer je unutarnja temperatura homogena.

Postavka indikatora temperature

- Kao pomoć pri pravilnom postavljanju hladnjaka imate indikator temperature koji će pratiti prosječnu temperaturu u najhladnijoj zoni.
- UPOZORENJE: Ovaj indikator namijenjen je isključivo radu s vašim hladnjakom, nemojte ga koristiti na drugom hladnjaku (najhladnija zona nije ista) ili za drugu namjenu.

Provjera temperature u najhladnijoj zoni

- Indikator temperature omogućuje redovitu provjeru je li temperatura najhladnije zone točna. Zaista, unutarnja temperatura hladnjaka ovisi o nekoliko čimbenika kao što su temperatura u prostoriji, količina hrane i učestalost otvaranja vrata. Kod postavljanja uređaja razmotrite te čimbenike.
- Kad indikator prikazuje „OK“, to znači da je termostat dobro podešen i da je unutarnja temperatura točna.
- Ako indikator temperature postane BIJELI, to znači da je temperatura previsoka, u tom slučaju povećajte postavku kontrole temperature hladnjaka i pričekajte 12 sati prije novog vizualnog pregleda indikatora. Kad stavite svježiju hranu ili ostavite vrata otvorena, moguće je da će nakon nekog vremena indikator postati BIJELI.

KÖSZÖNŐLEVÉL

Köszönjük, hogy a Midea-t választotta! Az új Midea készüléke használatának megkezdése előtt olvassa el figyelmesen ezt az utasítást, hogy biztosan tudja, a készüléket az adott funkciók és jellemzők mellett hogyan tudja biztonságosan használni.

TARTALOM

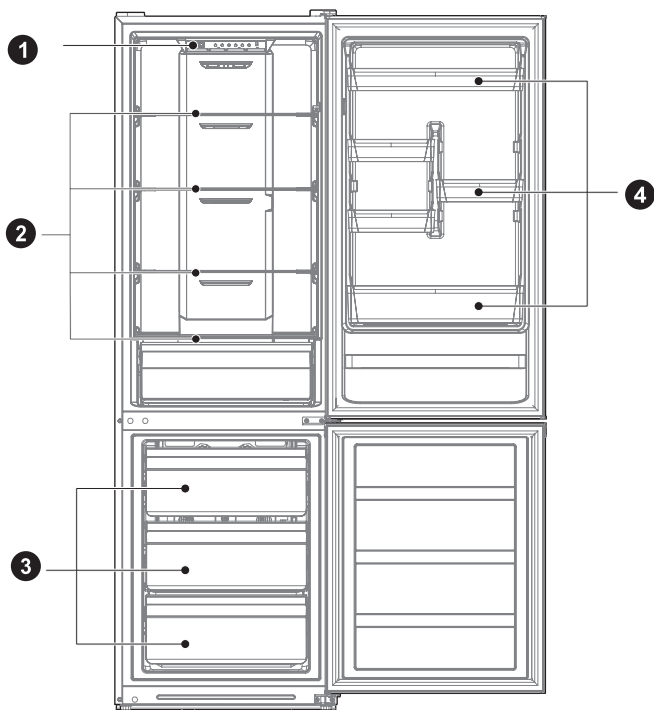
KÖSZÖNŐLEVÉL -----	01
MŰSZAKI JELLEMZŐK -----	02
A TERMÉK ÁTTEKINTÉSE -----	03
A KÉSZÜLÉK ÜZEMBE HELYEZÉSE -----	04
ÜZEMELTETÉSI UTASÍTÁSOK -----	11
TISZTÍTÁS ÉS KARBANTARTÁS -----	15
HIBAELHÁRÍTÁS -----	17
MELLÉKLET -----	19

MŰSZAKI JELLEMZŐK

Terméktípus	MDRB424FGE
Frissélelmiszer-rekesz térfogata	224 L
Fagyasztottélelmiszer-rekesz térfogata	86 L
Leolvasztás típusa	Automatikus leolvasztás
Hőmérséklet-emelkedési idő	8 óra
Fagyasztási kapacitás	3,9 kg/24 h
Névleges feszültség/frekvencia	220-240V~/50Hz
Névleges áramerősség	0,8 A
Teljes méret (M x H x Sz)	1880 x 595 x 630 mm

A TERMÉK ÁTTEKINTÉSE

Alkatrész neve



1 LED világítás

2 Polc

3 Fiók

4 Ajtórekesz

● FIGYELEM

A fenti kép csak tájékoztató jellegű. A tényleges konfiguráció az adott terméktől vagy a forgalmazó nyilatkozatától függ.

HU

A KÉSZÜLÉK ÜZEMBE HELYEZÉSE

Üzembe helyezési utasítások

Klímaosztállyal rendelkező hűtőgépekhez

- A klímaosztálytól függően ezt a hűtőgépet az alábbi táblázatban meghatározott környezeti hőmérséklet-tartományban kell használni.
- A klímaosztály a típusablán található. Előfordulhat, hogy a készülék nem működik megfelelően a meghatározott tartományon kívül.
- A klímaosztályt a termékcímkén találja.

Hatékony hőmérséklet-tartomány

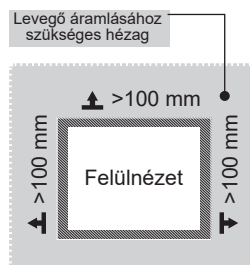
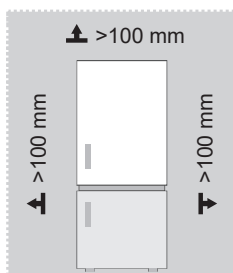
- A készüléket úgy alakították ki, hogy rendeltetészerűen működjön az osztálybesorolásában meghatározott tartományban.

Osztály	Szimbólum	Környezeti hőmérsékleti tartomány °C	
		IEC 62552 (ISO 15502)	ISO 8561
Kiterjesztett mérsékelt	SN	+10 és +32 között	+10 és +32 között
Mérsékelt	N	+16 és +32 között	+16 és +32 között
Szubtrópusi	ST	+16 és +38 között	+ 18 és + 38 között
Trópusi	T	+16 és +43 között	+ 18 és + 43 között

HU

Méreték és hézagok

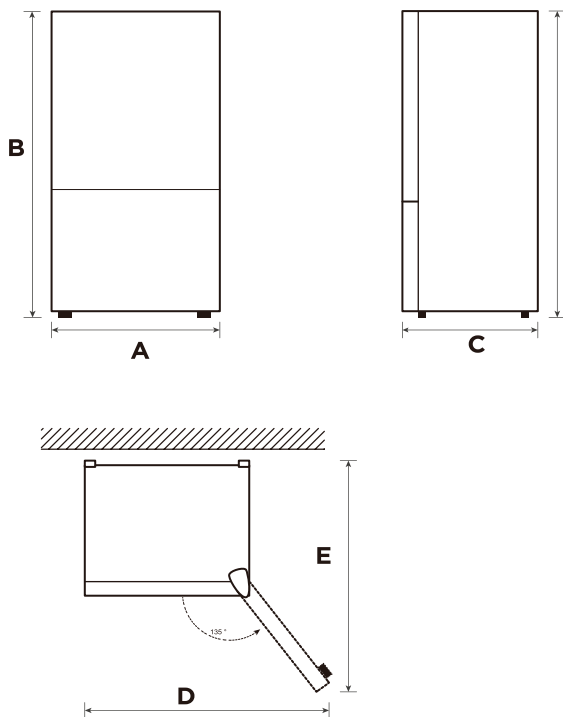
- Ha a készülék túl közel van a környező tárgyakhoz, akkor romolhat a fagyasztási teljesítménye és nőhet az áramfogyasztása. A készülék üzembe helyezésekor hagyjon legalább 100 mm-t a készülék és a körülötte lévő összes falfelület között.



FIGYELEM

A fenti kép csak tájékoztató jellegű. A tényleges konfiguráció az adott terméktől vagy a forgalmazó nyilatkoztatótól függ.

Ábra a helyigényről (nyitott és csukott ajtó mellett)



HU

Szélesség	Teljes magasság	Mélység	Szélesség 135°-ban nyitott ajtónál	Mélység 135°-ban nyitott ajtónál
A	B	C	D	E
595	1880	630	988	1074

Figyelem! Az összes méret mm-ben van megadva

Ajtó átfordítása jobbról balra (opcionális)

Attól függően, hogy hol kívánja használni a hűtőszekrényt, praktikus lehet átfordítani az ajtó helyzetét.

VIGYÁZAT

VIGYÁZAT: A személyi sérülés vagy anyagi kár elkerülése érdekében javasoljuk, hogy az ajtó átfordítását két személy végezze.

Az ajtó átfordításának előkészítése

A következőkre lesz szüksége: Egy normál csavarhúzó, egy csillagfejű csavarhúzó és a mellékelt imbuszkulcs.

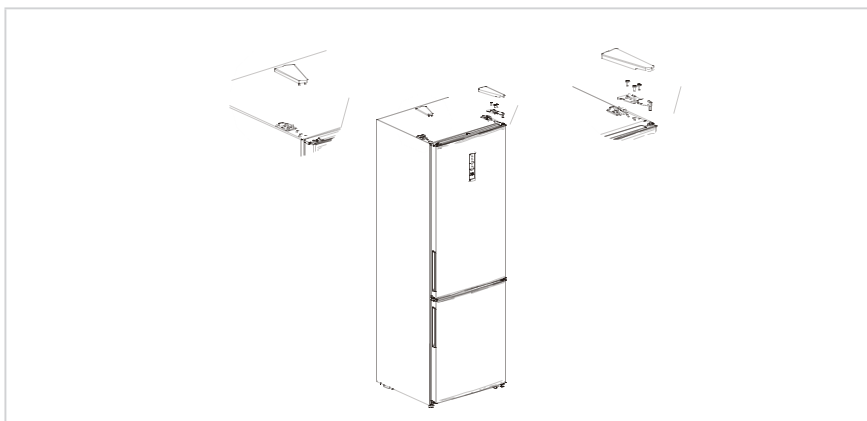
- Ügyeljen rá, hogy a hűtőszekrény ne csatlakozzon az elektromos hálózathoz, és üres legyen.
- Kérjen meg valakit, hogy segítsen a művelet elvégzésében.
- Az összes eltávolított alkatrészt őrizze meg, hogy ismét fel tudja őket használni.

Az ajtó átfordításához szükséges eszközök:



Lépés

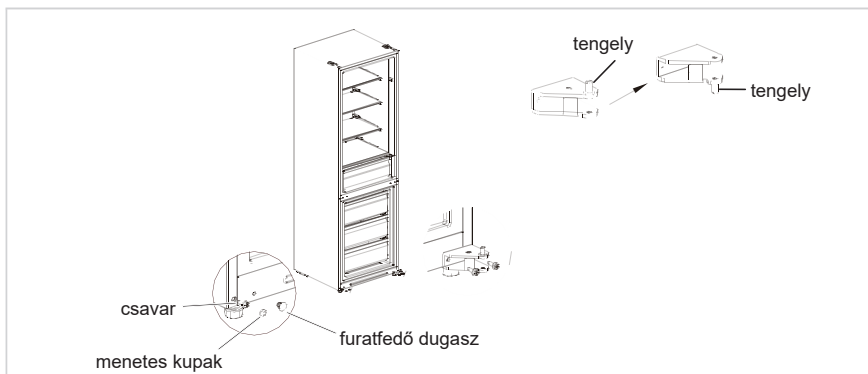
1. Kapcsolja ki a hűtőszekrényt, és távolítson el mindent az ajtóálcákról.
2. Szerelje le a felső zsanérfedelelet, válassza le a jelzőhuzalokat, a felső zsanért és a másik oldali furatsapkákat, majd vegye le a hűtőajtót.



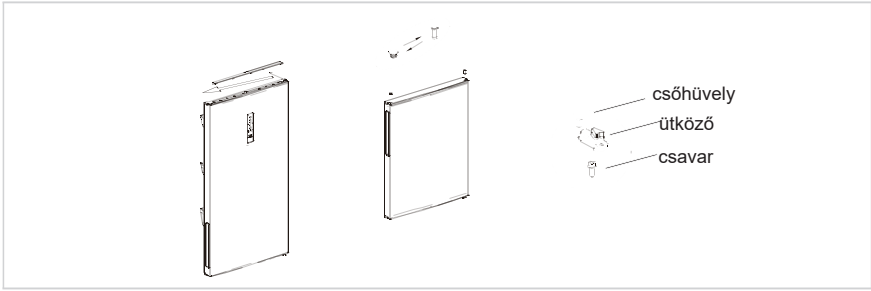
3. Szerelje le a középső zsanért, a csavarokat és a csavarfuratfedő dugaszokat, majd emelje le a fagyaszto ajtaját.



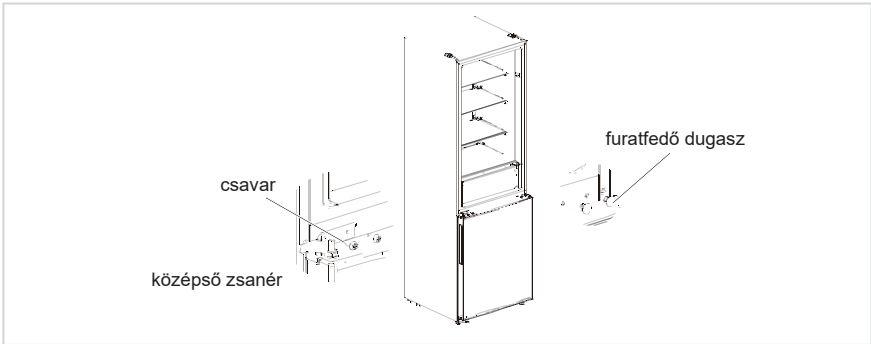
4. Szerelje le az alsó zsanért, a furatfedő dugaszokat és a csavarokat. Szerelje fel az alsó zsanér tengelyét az alsó zsanér másik oldalára, majd szerelje fel a zsanért a másik oldalra.



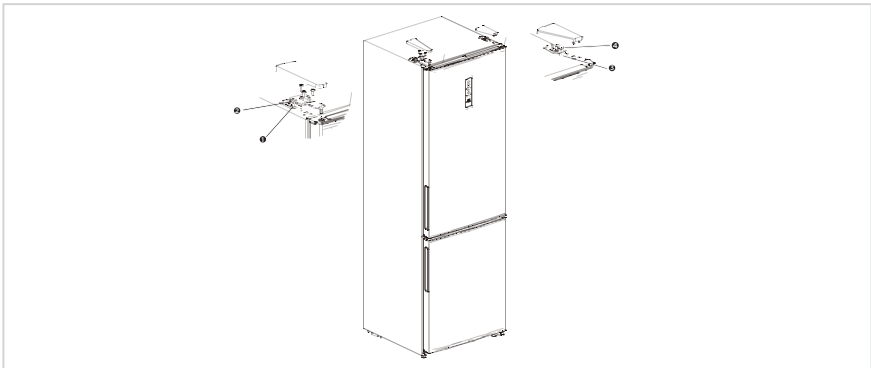
5. Távolítsa el a csavarokat, a csőhüvelyt és az ütközőt a két ajtótest alsó burkolatáról, és egymás után szerelje fel őket az ajtótestek másik oldalára (az ütközőt a kiegészítő zacskóból kell kicserélni). Ezután távolítsa el a hűtőajtó felső végének fedelét, és cserélje át a csőhüvelyben lévő kábeltöteget az ajtótest másik oldalára. Végül szerelje be a hűtő ajtaján lévő felső zsanér csőhüvelyét a hűtő ajtaja felső zárófedelének másik oldalán lévő lyukba.



6. Tegye a fagyasztó ajtaját az alsó zsanérra, szerelje fel a középső zsanért, a csavarokat és a csavarfuratfedő dugaszokat.



7. Helyezze a hűtőszekrény ajtótestét a középső zsanérra, majd szerelje fel a felső zsanért a szekrény másik oldalára, végül csatlakoztassa a felső zsanér oldalán lévő 1, 2 jelzővezetékek csatlakozóit és a másik oldalon lévő 3, 4 csatlakozókat, és fedje le a zsanérfedelelet és a furatsapkákat.



FIGYELEM

A fenti kép csak tájékoztató jellegű. A tényleges konfiguráció az adott terméktől vagy a forgalmazó nyilatkozatától függ.

Elhelyezés

- Használat előtt távolítsa el az összes csomagolóanyagot, beleértve az alsó párnákat, a habpárnákat, illetve a hűtőszekrény belsejében található szalagokat; húzza le a védőfóliát az ajtókról és a hűtőszekrény házáról.
- Tartsa távol hőtől, kerülje a közvetlen napfényt. Ne helyezze a fagyasztót nedves vagy vizes helyekre, így megelőzheti a rozsdásodást vagy a szigetelőhatás csökkenését.
- Ne permetezzen folyadékot a hűtőszekrényre, illetve ne mossa le; ne tegye a hűtőszekrényt olyan helyre, ahol könnyen fröccsenhet rá víz, hogy ne befolyásolja a hűtőszekrény elektromos szigetelési tulajdonságait.
- A hűtőszekrényt jól szellőző helyen kell elhelyezni; a padló legyen sík és teherbíró (ha instabil, forgassa el balra vagy jobbra, hogy beállíthassa a szintezőkereket).



Szintezőláb

A rázkódás elkerüléséhez a készüléket szintbe kell állítani.

Szükség esetén a szintezőcsavarok kiegyenlítik az egyenetlen padlót.

A készülék elejének enyhén magasabban kell lennie a hátuljánál, hogy segítse az ajtó becsukódását.

A szintezőcsavarok könnyen forgathatók, ha enyhén megdönti a készülékházat.

Forgassa a szintezőcsavarokat az óramutató járásával ellentétes irányba  a készülék megemeléséhez, vagy az óramutató járásával megegyező irányba  a készülék lejjebb engedéséhez.

A készülék mozgatása

1. Vegye ki az összes élelmiszert a készülékből.
2. Húzza ki a tápcsatlakozót a hálózati aljzatból, majd illessze be és rögzítse a készülék hátoldalán vagy tetején lévő tápcsatlakozótartó hurokba.
3. Ragasztószalaggal rögzítse az elmozdulásra képes alkatrészeket, például a polcokat és az ajtófogantyút, hogy ne essenek ki a készülék mozgatása közben.
4. A készüléket legalább hárman mozgassák. A készüléket nagy távolságra szállításkor tartsák álló helyzetben.
5. A készüléket az ismételt elhelyezése után csatlakoztassa az elektromos hálózathoz, majd kapcsolja be.

FIGYELEM

Óvintézkedések az üzembe helyezés előtt:

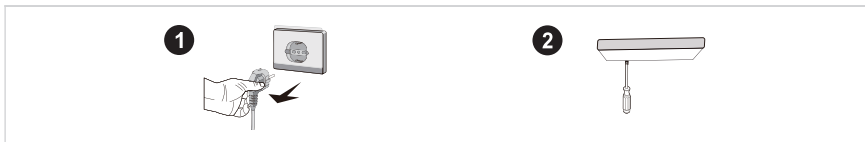
Mielőtt módosításokat végez, a hűtőszekrényt le kell választani az elektromos hálózatról: óvintézkedéseket kell tenni a személyi sérülés megelőzésére.

Izzócsere

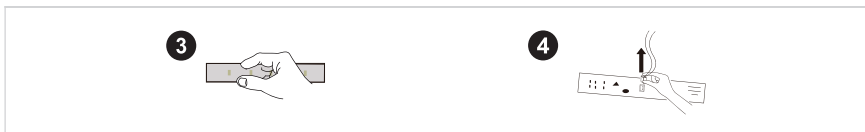
- A LED-lámpák bármilyen cseréjét vagy karbantartását a gyártó, annak szerveze vagy hasonló képesítéssel rendelkező személy végezheti. Ez a termék <F> energiahatékonysági osztályú fényforrást tartalmaz.

Lépés

1. Húzza ki a fali csatlakozót az eltávolítás előtt.
2. Csavarhúzóval távolítsa el a lámpafedelet



3. Vegye le a lámpapanelt.
4. Távolítsa el a csatlakozóterminált.



A készülék csatlakoztatása az elektromos hálózathoz

Az első bekapcsolás előtt a hűtőszekrényt hagyja fél óráig állni, mielőtt a hálózatra csatlakoztatja.

FIGYELEM

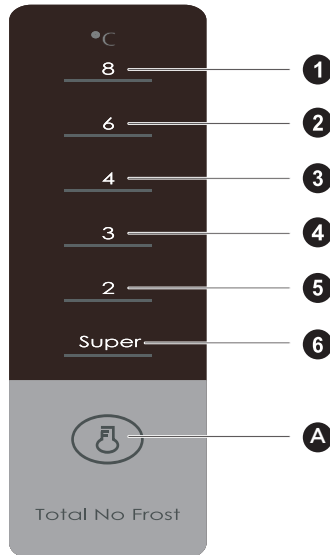
Mielőtt friss vagy fagyasztott ételt helyezne a hűtőszekrénybe, járassa 2-3 órát át, illetve nyáron, amikor a környezeti hőmérséklet magas, 4 óránál is hosszabban.

Energiatakarékosági tippek

- A berendezést a helyiség leghűvösebb részén kell elhelyezni, távol a hőtermelő berendezésektől, a fűtőcsövektől, illetve távol a közvetlen napfénytől.
- Hagyja a forró ételeket szobahőmérsékletűre hűlni, mielőtt azokat a készülékbe helyezi. Ha túl sok élelmiszer van a készülékben, a kompresszor hosszabban üzemel. A túl lassan megfagyó étel minősége csökkenhet vagy megromolhat.
- Az élelmiszereket megfelelően csomagolja be, a tárolóedényeket törölje szárazra, mielőtt a hűtőszekrénybe tenné azokat. Ezzel csökkenthető a berendezésben lerakódó jég mennyisége.
- A tárolórekeszt ne bélelje ki alumíniumfóliával, zsírpapírral vagy papírtörkövel. Ezek akadályozhatják a hideg levegő áramlását, amitől a készülék kevésbé lesz hatékony.
- Rendszeresen és címkézzé fel az ételeket, hogy csökkenthesse az ajtónyitások számát, és a hosszas keresgélést. Minden szükséges dolgot egy ajtónyitással vegyen ki és a lehető leghamarabb csukja be az ajtót.

ÜZEMELTETÉSI UTASÍTÁSOK

Kezelőpanel



FIGYELEM

A fenti kép csak tájékoztató jellegű. A tényleges konfiguráció az adott terméktől vagy a forgalmazó nyilatkozatától függ.

HU

Jelzés

A Hőmérséklet-beállító gomb

Kijelző

1	1. hőmérséklet-beállítás
2	2. hőmérséklet-beállítás
3	3. hőmérséklet-beállítás
4	4. hőmérséklet-beállítás
5	5. hőmérséklet-beállítás
6	6. hőmérséklet-beállítás

Kijelző

Amikor bekapcsolja a hűtőszekrényt, a kijelző (a kulcs fényvel együtt) 3 másodpercig teljes fényerővel világít, majd a hűtőszekrény a 3. hőmérséklet-beállítást szerint kezd működni.

Normál működés megjelenítése

Meghibásodás esetén a kapcsolódó LED fény a hibakóddal kombinálva (váltakozva) jelez;

Ha nincs meghibásodás, a LED a meglévő hőmérséklet-beállítást mutatja.

FIGYELEM

A tényleges kezelőpanel modellenként eltérő lehet.

Üzemeltetési utasítások

Fokozatbeállítás

- A hőmérséklet-beállítás minden alkalommal változik, amikor megnyomja a SET gombot. A hűtőszekrény 15 másodperc eltelte után az új beállított érték szerint működik tovább.
1. beállítás → 2. beállítás → 3. beállítás → 4. beállítás → 5. beállítás → 6. beállítás → 1. beállítás →

Gyorshűtési mód:

- Belépés: A gyorsűtési mód beállítási lehetőségeinek váltogatása.
- Működtetés: Világítani kezd a gyorsűtési mód jelzőfénye, és a hűtőszekrény 2 °C-on működik.
- A gyorsűtési mód 24 óra után automatikusan letiltásra kerül.
- A gyorsűtési mód szuperfagyasztási funkcióként is használható.

Manuális hőmérséklet-szabályozó gomb állítása

- Ha felfelé tolja a hőmérséklet-szabályozót, a fagyasztóban a hőmérséklet csökkenni fog. Ha lefelé tolja, a fagyasztóban a hőmérséklet emelkedni fog.

FAGYASZTÓ HŐMÉRSÉKLETE

LEGHIDEGEBB

↓

HIDEGEBB

↓

HIDEG



Hibakód

- A kijelzőn megjelenő alábbi figyelmeztetések a hűtőszekrény hibáit jelzik. Bár a hűtőszekrény a következő hibák megjelenése esetén továbbra is képes lehet a hűtésre és a fagyasztásra, ilyenkor vegye fel a kapcsolatot egy szakképzett szerelővel, hogy elvégezze a karbantartást, és a hűtőszekrény megfelelően működhessen tovább.

Hibakód	Hibaleírás
Az 1. és a 2. LED világít	Hűtőszekrény hőfokérzékelő áramköre
Az 1. és a 3. LED világít	Fagyasztóleolvasztás érzékelője
Az 1. és a 4. LED világít	Környezeti hőmérséklet érzékelő

FIGYELEM

Megjegyzés: A gyorsfagyasztás funkciót úgy tervezték, hogy megőrizze a fagyasztóban lévő élelmiszerek tápértékét. A legrövidebb idő alatt lefagyaszthatja az élelmiszereket. Ha egyszerre nagy mennyiségű élelmiszert fagyaszt le, ajánlott, hogy a felhasználó kapcsolja be a gyorsfagyasztás funkciót, és ezt követően helyezze be az élelmiszereket. Ekkor a fagyasztórekesz fagyasztási sebessége megnő, így gyorsan lefagyasztja az élelmiszereket, hatékonyan megőrzi a tápértékét és megkönnyíti a tárolást.

Hűtőrekesz

- A hűtőtérben gyümölcsök, zöldségek, italok és egyéb olyan élelmiszerek széles köre tárolható, amelyek rövid időn belül fagyasztásra kerülnek; a javasolt tárolási idő 3-5 nap.
- Főtt ételeket addig ne tegyen a hűtőrekeszbe, amíg szobahőmérsékletűre nem hűltek.
- Mielőtt a hűtőbe helyezi az ételleket, javasoljuk, hogy zárja le őket.
- A megfelelő tárolóhely és a könnyű használhatóság érdekében az üvegpocok magassága fel-le állítható.

Fagyasztórekesz

- Az alacsony hőmérsékletű fagyasztórekesz hosszú időn keresztül frissen tartja az ételleket, leginkább fagyasztott ételek tárolására és jég készítésére alkalmas.
- A fagyasztórekesz kiválóan alkalmas húсок, halak, rizsgolyók és egyéb olyan ételek fagyasztására, amelyeket nem szeretne rövid időn belül elfogyasztani.
- A nagyobb húсоkat célszerű kisebb darabokra vágni, így gyorsabban megfagynak és könnyebben hozzáférhetőek. Figyeljen arra, hogy az ételleket a minőségmegőrzési időn belül elfogyassza.

FIGYELEM

Megjegyzés: Ha az első bekapcsolást követően túl sok élelmiszert helyez a hűtőszekrénybe, az hátrányosan befolyásolhatja a berendezés fagyasztási teljesítményét.

Sorszám	Rekeszek TÍPUS	Célzott tárolási hőmérséklet [°C]	Megfelelő ételkészlet
1	Hűtőszekrény	+2 ~ +8	A tojás, a főtt étel, a csomagolt ételkészlet, a gyümölcs és zöldség, a tejtermékek, a sütemények, az italok és egyéb ételkészletek fagyasztásra nem alkalmasak.
2	(***)*- Fagyasztó	≤-18	Tenger gyümölcsei (halak, garnélarák, kagylók), édesvízi termékek és hústermékek (3 hónapig ajánlott, minél hosszabb a tárolási idő, annál rosszabb az íz és a tápérték), alkalmas fagyasztott friss ételkészletekhez.
3	***-Fagyasztó	≤-18	Tenger gyümölcsei (halak, garnélarák, kagylók), édesvízi termékek és hústermékek (3 hónapig ajánlott, minél hosszabb a tárolási idő, annál rosszabb az íz és a tápérték), alkalmas fagyasztott friss ételkészletekhez.
4	** -Fagyasztó	≤-12	Tenger gyümölcsei (halak, garnélarák, kagylók), édesvízi termékek és hústermékek (3 hónapig ajánlott, minél hosszabb a tárolási idő, annál rosszabb az íz és a tápérték), alkalmas fagyasztott friss ételkészletekhez.
5	*-Fagyasztó	≤-6	Tenger gyümölcsei (halak, garnélarák, kagylók), édesvízi termékek és hústermékek (3 hónapig ajánlott, minél hosszabb a tárolási idő, annál rosszabb az íz és a tápérték), alkalmas fagyasztott friss ételkészletekhez.
6	0-csillag	-6 ~ 0	Friss sertéshús, marhahús, hal, csirke, egyes csomagolt feldolgozott ételkészletek stb. (Ajánlott aznap elfogyasztani, és lehetőleg 3 napnál nem később). Részben lezárt feldolgozott ételkészletek (nem fagyasztható ételkészletek).
7	Fagyrekeszek	-2 ~ +3	Friss/fagyasztott sertéshús, marhahús, csirke, édesvízi és akváriumban nevelt termékek stb. (0 °C alatt 7 napon belül fogyasztandó, 0 °C felett ugyanazon a napon, de legfeljebb 2 napon belül fogyasztandó). Tenger gyümölcsei (0 °C alatt 15 napig állnak el, 0 °C feletti tárolásuk nem ajánlott).
8	Frissentartó	0 ~ +4	Friss sertéshús, marhahús, hal, csirke, főtt étel stb. (Ajánlott aznap elfogyasztani, lehetőleg 3 napnál nem később)
9	Bor	+5 ~ +20	Vörösbor, fehérbor, pezsgő stb.

FIGYELEM

A különféle ételkészleteket a nekik megfelelő rekeszekben vagy tárolási hőmérsékleten tárolja.

TISZTÍTÁS ÉS KARBANTARTÁS

Általános tisztítás

- A hűtőszekrény mögött, illetve a padlón összegyűlő port rendszeresen el kell távolítani, hogy a hűtési hatékonyság, illetve az energiamegtakarítás növelhető legyen.
- Rendszeresen ellenőrizze, hogy az ajtó tömítéseken ne legyen szennyeződés. Az ajtó tömítéseket szappanos vízben vagy hígított mosószerben megnedvesített puha ruhával törölje át.
- A hűtőszekrény belsejét rendszeresen tisztítani kell, hogy elkerülje a kellemetlen szagokat.
- A tisztítás megkezdése előtt húzza ki a gépet a dugaljából, távolítsa el az összes étel, italt, polcot, fiókot, stb.
- Puha ruhával vagy szivaccsal tisztítsa meg a hűtőszekrény belsejét; ehhez használja két evőkanál szóda bikarbóna és egy liter meleg víz keverékét. Majd öblítse ki vízzel és törölje tisztára. A tisztítást követően nyissa ki az ajtót és a bekapcsolás előtt hagyja természetes módon megszáradni.
- Javasoljuk, hogy a hűtő nehezen takarítható részeit (szűk helyek, hézagok, sarkok) puha ronggyal vagy puha kefével tisztítsa meg, ha szükséges, használjon segédeszközöket (pl. vékony pálcikák), hogy ezeken a területeken ne halmozódjon fel a szennyeződés vagy baktérium.
- Ne használjon szappant, mosószert, súrolószert, spray tisztítószert stb., mivel ezek szagokat okozhatnak a hűtő belsejében vagy szennyezhetik az ételt.
- A palacktartókat, polcokat és fiókokat szappanos vízben vagy hígított mosószerben megnedvesített puha ruhával törölje át. Egy ronggyal törölje szárazra vagy hagyja természetes módon megszáradni.
- Szappanos vízzel vagy mosószerral megnedvesített ruhával törölje le a hűtőszekrény külső részét, majd törölje szárazra.
- Ne használjon kemény keféket, acél súrolót, súrolószereket (pl. fogkrémet), organikus oldószereket (pl. alkoholt, acetont, banánolajat, stb.), forró vizet, savas vagy lúgos szereket, amelyek károsíthatják a hűtőszekrény felületét, belsejét. A forró víztől és az olyan szerves oldószerektől, mint a benzol, a műanyag alkatrészek eldeformálódhatnak.
- Az öblítéshez ne használjon közvetlenül vizet vagy egyéb folyadékokat, hogy elkerülje a rövidzárlatot, illetve hogy az elektromos szigetelés ne károsodjon a vízbehatástól.

FIGYELEM

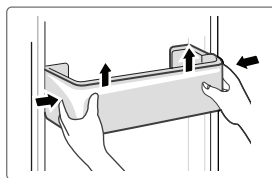
A leolvasztáshoz és tisztításhoz kérjük, húzza ki a hűtőszekrényt a dugaljából.

Leolvasztás

- A hűtőszekrény a léghűtés elve alapján készült, így automatikus leolvasztási funkcióval rendelkezik. Az évszakok vagy a hőmérséklet változása miatt kialakult jeget manuálisan is el lehet távolítani, ha a berendezést leválasztja az elektromos hálózatról, illetve egy papírtörlővel vagy száraz törölközővel le lehet törölni.

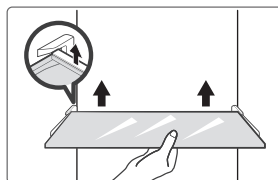
Ajtótálca tisztítása

- Az alábbi ábrán látható nyílnak megfelelően két kézzel fogja meg a tálcát és nyomja felfelé, majd vegye ki a helyéről.
- Miután a kivett tálcát elmosa, a beszerelési magasságát az igényeinek megfelelően állíthatja be.



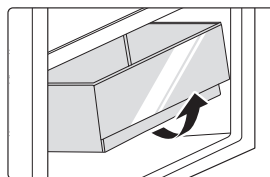
Üvegpolc tisztítása

- A hűtő belsejében, ahol a polc és a hűtő hátulja találkozik, egy kis mélyedés található; emelje meg a polcot felfelé, hogy kivehesse a helyéről.
- Igényei szerint állítsa be vagy tisztítsa meg a polcokat.



Zöldséges fiók tisztítása

1. Vegyen ki mindent a fiókból. Fogja meg a fiók markolatát, és húzza ki teljesen, ütközésig.
2. Emelje meg a zöldséges fiókot, és húzza ki az eltávolításához.



Üzemen kívüli állapot

Áramkimaradás:

Áramkimaradás esetén, akár még nyáron is, az ételek több órán át tarthatók a készülékben; áramkimaradás esetén csökkenteni kell az ajtónyitások számát, nem szabad friss ételt a hűtőbe tenni.

Tartós használaton kívüli helyzet:

A készüléket ki kell húzni a dugaljából, ki kell tisztítani; majd az ajtókat nyitva kell hagyni, hogy ne legyen kellemetlen szag a hűtőben.

Mozgatás:

A hűtő mozgatása előtt távolítsa minden tárgyat a készülékből, ragasztószalaggal rögzítse az üveg elválasztókat, a zöldségtartót, a fagyasztórekeszeket stb., húzza meg a szintezőlábát; zárja be az ajtókat és rögzítse ragasztószalaggal. Mozgatás során a berendezést tilos fejtetőre vagy vízszintes pozícióba állítani, tilos rezgésnek kitenni; mozgatás során a megdőnés szöge nem lehet 45°-nál nagyobb.

FIGYELEM

Az indítást követően a berendezést folyamatosan kell üzemeltetni. Általánosságban elmondható, hogy a berendezés működésének megszakítása csökkenti a berendezés élettartamát.

HIBAELHÁRÍTÁS

A következő egyszerű problémákat a felhasználó is kezelni tudja. Kérjük, hívja a szervizünket, ha valamilyen problémát nem sikerül elhárítani.

Probléma	Lehetséges ok
Berendezés nem működik	• Ellenőrizze, hogy a berendezés csatlakoztatva van-e az elektromos hálózathoz, vagy hogy a dugvilla megfelelően érintkezik.
	• Ellenőrizze, hogy a feszültség nem túl alacsony-e.
	• Ellenőrizze, hogy nincs-e áramkimaradás, vagy az egyes áramkörök megszakítói nem oldottak le.
Szag	• Az erős szagú ételeket szorosan be kell csomagolni.
	• Ellenőrizze, hogy nincs-e rohadt étel a hűtőben.
	• Tisztítsa ki a hűtőszekrény belsejét
A kompresszor hosszú idejű működése	• Normális, ha a hűtő nyáron vagy magas környezeti hőmérséklet esetén hosszú ideig működik.
	• Ilyenkor javasolt kevesebb ételt helyezni a hűtőbe.
	• Mielőtt a készülékbe helyezné, hűtse le az ételt.
	• Az ajtókat túl gyakran nyitják
A lámpa nem világít.	• Ellenőrizze, hogy a hűtőszekrény csatlakoztatva van-e az elektromos hálózathoz, illetve a lámpa nem sérült-e.
	• Szakemberrel cseréltesse ki a lámpát
Az ajtók nem záródnak megfelelően	• Az ajtó valamelyik élelmiszerben elakad
	• A hűtő meg van döntve.
Hangos a készülék	• Ellenőrizze, hogy a padló vízszintes-e, illetve a hűtőberendezés stabilan áll-e.
	• Ellenőrizze, hogy a kiegészítők a megfelelő helyre vannak-e behelyezve.

Probléma	Lehetséges ok
Az ajtó tömítései nem szigetelnek megfelelően	<ul style="list-style-type: none"> • Távolítsa el az idegen anyagokat az ajtó tömítéseiről. • Melegítse fel az ajtó tömítéseket, majd a helyreállításhoz hűtse le őket (vagy hőlégfűtéssel vagy meleg törülközővel melegítse fel).
A vízgyűjtő tálca túlcserdül	<ul style="list-style-type: none"> • Túl sok élelmiszer van a rekeszben vagy a tárolt élelmiszer túl sok vizet tartalmaz, ami a hűtő leolvadásához vezet. • Az ajtók nincsenek megfelelően becsukva, ami a bejutó levegő miatt jegesedéshez, leolvadás miatt túl sok vízhez vezet.
Meleg a burkolat	<ul style="list-style-type: none"> • A beépített kondenzátor burkolata felmelegedhet, ami normális jelenség. Ha a magas környezeti hőmérséklet, a túl sok tárolt élelmiszer vagy a kompresszor leállása miatt a burkolat túl forróvá válik, gondoskodjon megfelelő szellőzésről a hő eloszlásának elősegítésével.
Felületi páralecsapódás	<ul style="list-style-type: none"> • A hűtőszekrény külső felületén és az ajtó tömítéseken jelentkező páralecsapódás normális jelenség, ha a környezeti páratartalom túl magas. Törölje le a páralecsapódást egy tiszta törülközővel.
Rendellenes zaj	<ul style="list-style-type: none"> • Zúgás: Működés közben a kompresszorból zúgás hallható, és ez a zúgás indításkor vagy leállításkor különösen hangos. Ez normális. • Nyikorgás: A berendezésben áramló hűtőközeg nyikorgó hangot adhat, ami normális.

MELLÉKLET

Kimondottan az új európai szabványnak megfelelően

Az alábbi táblázatban lévő megrendelt alkatrészek a szolgáltatói csatornától szerezhetők be

Megrendelt alkatrész	Beszállító	Rendelkezésre bocsátáshoz szükséges minimális idő
Termosztátok	Professzionális karbantartó személyzet	Legalább 7 év azt követően, hogy az utolsó modell a piacra került
Hőmérséklet-érzékelők	Professzionális karbantartó személyzet	Legalább 7 év azt követően, hogy az utolsó modell a piacra került
Nyomatott áramköri lapkák	Professzionális karbantartó személyzet	Legalább 7 év azt követően, hogy az utolsó modell a piacra került
Fényforrások	Professzionális karbantartó személyzet	Legalább 7 év azt követően, hogy az utolsó modell a piacra került
Ajtófogantyúk	Professzionális szerelők és végfelhasználók	Legalább 7 év azt követően, hogy az utolsó modell a piacra került
Ajtózsanérok	Professzionális szerelők és végfelhasználók	Legalább 7 év azt követően, hogy az utolsó modell a piacra került
Tálcák	Professzionális szerelők és végfelhasználók	Legalább 7 év azt követően, hogy az utolsó modell a piacra került
Kosarak	Professzionális szerelők és végfelhasználók	Legalább 7 év azt követően, hogy az utolsó modell a piacra került
Ajtótömítések	Professzionális szerelők és végfelhasználók	Legalább 10 év azt követően, hogy az utolsó modell a piacra került

HU

Kedves vásárló!

1. Ha a terméket szeretné visszaküldeni vagy kicserélni, vegye fel a kapcsolatot az értékesítővel.

(Ne felejtse el elhozni a vásárláskor kapott számlát)

2. Ha a termék elromlott és javításra van szükség, vegye fel a kapcsolatot a szervizrészleggel.

FIGYELEM

A termékadatbázisban található modellinformációkat, valamint a modellazonosító a termék energiahatékonysági címkéjén levő QR-kód (ha van) beolvasásával megnyíló webes hivatkozáson keresztül lehet elérni.

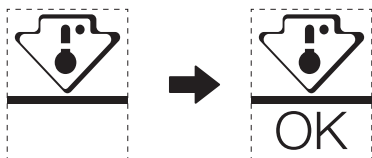
A készülék energiahatékonyságáról további tájékoztatást a <https://ec.europa.eu> webhelyen talál, a típusnévre rákeresve.

A típusnév a készülék adattábláján található.

A hűtőszekrény leghidegebb zónája

OPCIONÁLIS: OK-hőmérsékletjelzés

- Az OK-hőmérsékletjelzéssel a +4 °C alatti hőmérsékletek határozhatók meg. Fokozatosan csökken a hőmérséklet, amíg az „OK” jelzést nem látja.



- A terület hőmérsékletének garantálása érdekében, ne változtasson a polc elhelyezkedésén. A kényszerlevegős hűtőszekrények esetében (ventillátorral rendelkező vagy önleolvasztós modellek) nincs feltüntetve a leghidegebb zóna szimbólum, mert a belső hőmérséklet homogén.

Hőmérsékletjelző beállítása

- Azért, hogy segítsen Önnek a megfelelő beállításban, a hűtőszekrényt hőmérsékletjelzővel látták el, ami figyelmeztet a leghidegebb zóna átlagos hőmérsékletét.
- FIGYELEM:** Ezt a jelzőt az ön hűtőszekrényével való együttműködésre tervezték, ne használja másik hűtőszekrényben (mert a leghidegebb zóna nem ugyanolyan), vagy más felhasználási célal.

A leghidegebb zóna hőmérsékletének ellenőrzése

- A hőmérsékletjelzővel rendszeresen tudja ellenőrizni, hogy a leghidegebb zóna hőmérséklete megfelelő-e. Valójában a hűtőszekrény belső hőmérséklete számos olyan tényezőtől függ, mint a helyiség környezeti hőmérséklete, a benne tárolt étel mennyisége és az ajtónyitás gyakorisága. A készülék beállításakor vegye figyelembe ezeket a tényezőket.
- Amikor a jelző «OK»-t mutat, az azt jelenti, hogy a termosztátot jól állították be, és a belső hőmérséklet megfelelő.
- Ha a hőmérsékletjelző FEHÉRRE vált, az azt jelenti, hogy a hőmérséklet túl magas; ebben az esetben növelje a hűtőszekrény hőmérsékletszabályozó beállítását, és várjon 12 órát, mielőtt újra szemrevételezéssel ellenőrizné a jelzőt. Ha friss élelmiszert helyeztek be, vagy az ajtót nyitva hagyták, előfordulhat, hogy a hőmérsékletjelző egy idő után FEHÉRRE vált.

ZAHVALNO PISMO

Hvala, ker ste izbrali Mideo! Pred uporabo vašega novega izdelka Midea natančno preberite ta priročnik, da zagotovite varno upravljanje z lastnostmi in funkcijami, ki jih ponuja vaša nova naprava.

KAZALO

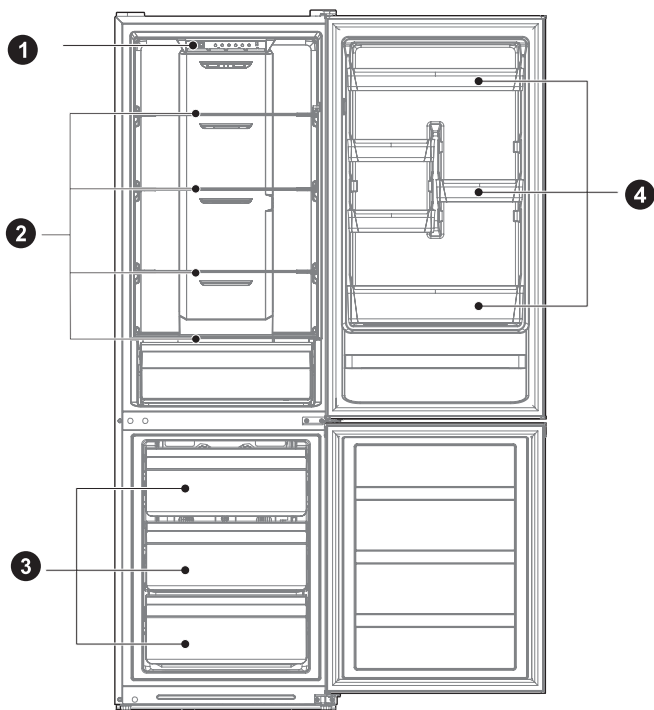
ZAHVALNO PISMO	01
SPECIFIKACIJE	02
PREGLED IZDELKA	03
NAMESTITEV IZDELKA	04
NAVODILA ZA UPORABO	11
ČIŠČENJE IN VZDRŽEVANJE	15
ODPRAVLJANJE TEŽAV	17
PRILOGA	19

SPECIFIKACIJE

Model izdelka	MDRB424FGE
Volumen prostora za shranjevanje sveže hrane	224 L
Volumen shranjevanja zamrznjene hrane	86 L
Vrsta odmrzovanja	Samodejno odtajanje
Čas povišanja temperature	8 ur
Zmogljivost zamrzovanja	3,9 kg/24 ur
Nazivna napetost/frekvenca	220-240V~/50Hz
Nazivni tok	0,8 A
Skupna mera (V x Š x G)	1880 x 595 x 630 mm

PREGLED IZDELKA

Imena sestavnih delov



1 LED osvetlitev

2 Polica

3 Predal

4 Pladenj za vrata

POZOR

Zgornja slika je samo za referenco. Dejanska konfiguracija je odvisna od fizičnega izdelka ali izjave distributerja

SL

NAMESTITEV IZDELKA

Navodila za namestitev

Za hladilne naprave s klimatskim razredom

- Odvisno od klimatskega razreda je ta hladilni aparat namenjen uporabi pri temperaturnih območjih okolja, kot je navedeno na napisni tablici.
- Klimatski razred najdete na napisni tablici. Izdelek morda ne bo deloval pravilno pri temperaturah zunaj določenega območja.
- Klimatski razred je označen na oznaki izdelka.

Učinkovito temperaturno območje

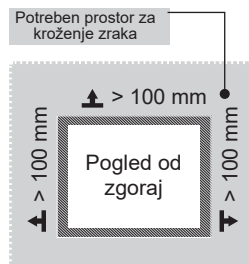
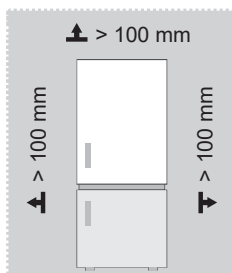
- Izdelek je zasnovan za normalno delovanje v temperaturnem območju, ki ga določa ocena razreda.

Razred	Simbol	Razpon temperature okolice °C	
		IEC 62552 (ISO 15502)	ISO 8561
Razširjeni zmerni	SN	+10 do +32	+10 do +32
Zmerni	N	+16 do +32	+16 do +32
Subtropski	ST	+16 do +38	+18 do +38
Tropski	T	+16 do +43	+18 do +43

Mere in razmiki

- Premajhna razdalja od bližnjih predmetov lahko povzroči poslabšanje zmogljivosti zamrzovanja in večje stroške elektrike. Pri namestitvi naprave pustite več kot 100 mm razmika od vsake sosednje stene.

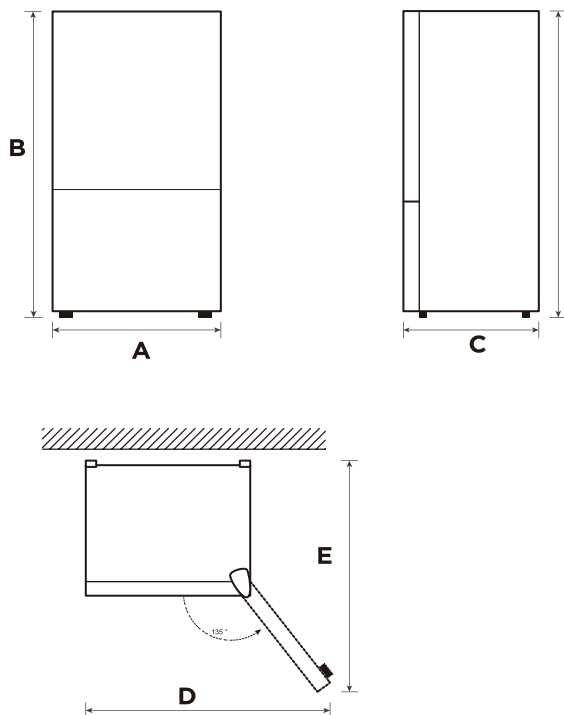
SL



POZOR

Zgornja slika je samo za referenco. Dejanska konfiguracija je odvisna od fizičnega izdelka ali izjave distributerja

Diagram potrebnega prostora (ko so vrata odprta in ko so vrata zaprta)



SL

Širina	Skupna višina	Globina	Širina ob odprtih vratih 135°	Globina ob odprtih vratih 135°
A	B	C	D	E
595	1880	630	988	1074

Opomba: Vse mere so v mm

Zamenjava odpiranja vrat v smeri desno-levo (izbirno)

Glede na lokacijo, kjer boste hladilnik uporabljali, bo morda priročneje, če obrnete položaj namestitve vrat.

POZOR

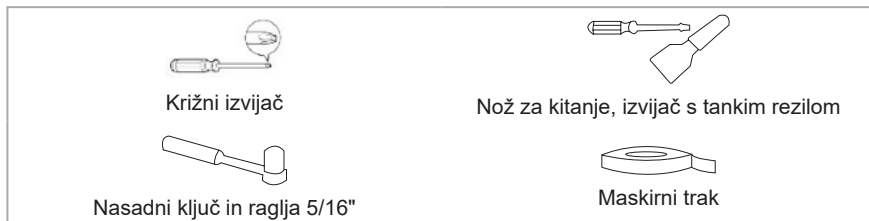
POZOR: Da se izognete poškodovanju sebe ali materialni škodi, priporočamo, da vam pri postopku zamenjave smeri odpiranja vrat pomaga druga oseba.

Priprava za zamenjavo položaja namestitve vrat

Potrebovali boste: standardni izvijač, križni izvijač in priloženi imbus ključ.

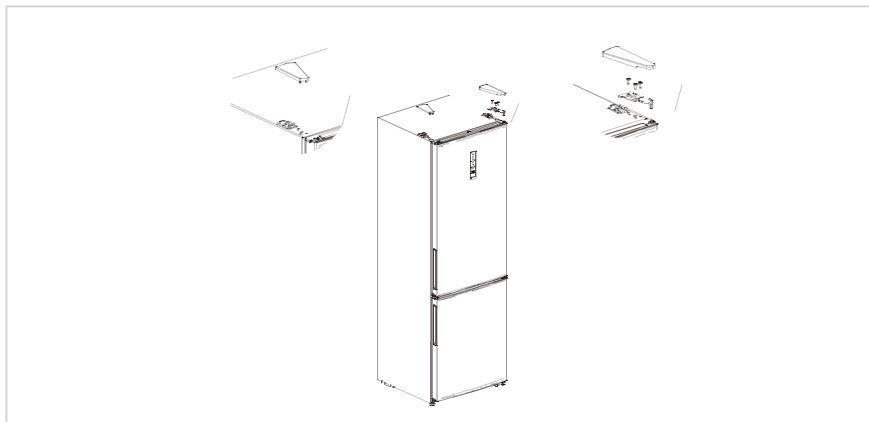
- Prepričajte se, da je hladilnik odklopljen z napajanja in prazen.
- Prosite nekoga, da vam pomaga pri postopku.
- Hranite vse odstranjene dele, da jih boste pozneje ponovno uporabili.

Orodje, potrebno za zamenjavo smeri odpiranja vrat



Koraki

1. Izklopite hladilnik in odstranite vse predmete iz vratnih polic.
2. Razstavite zgornji pokrov tečaja, odklopite signalne žice, zgornji tečaj in pokrov za luknjo na drugi strani ter odstranite vrata hladilnika.



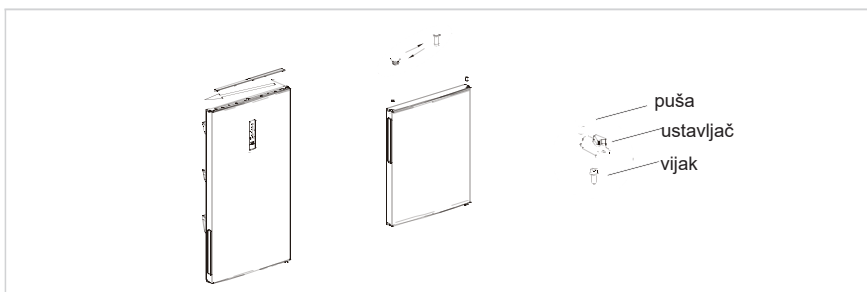
3. Razstavite srednji tečaj, vijake, pokrove za luknje vijakov in odstranite vrata zamrzovalnika.



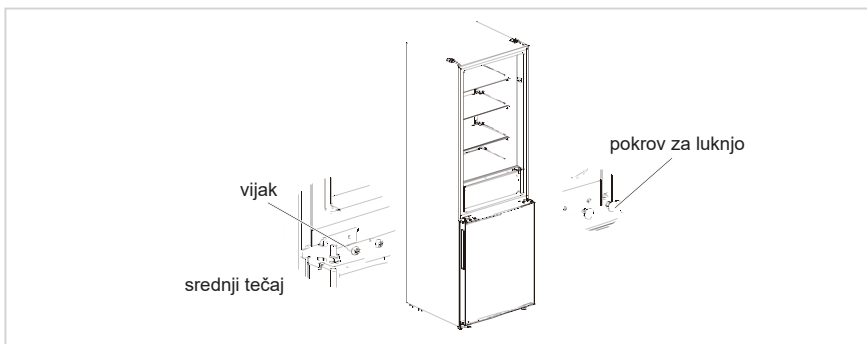
4. Razstavite spodnji tečaj, pokrove za luknje in vijake; namestite spodnjo tečajno gred na drugi strani spodnjega tečaja in nato namestite tečaj na drugi strani.



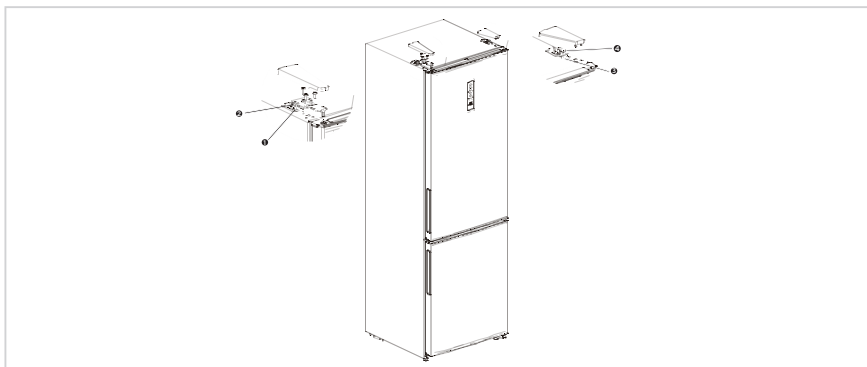
5. Razstavite vijake, pušo in zatič na pokrovu v spodnjem delu obeh ogrodij vrat ter ju nato namestite na drugi strani obe ogrodij vrat (zatič morate ponovno namestiti iz dodatne vrečke). Nato odstranite pokrov v zgornjem delu vrat hladilnika in zamenjajte kabelski snop s pušo na drugi strani ogrodja vrat. Na koncu namestite pušo zgornjega tečaja na vrata hladilnika v luknji na drugi strani pokrova v zgornjem delu na vratih hladilnika.



6. Položite vrata zamrzovalnika na spodnji tečaj, namestite srednji tečaj, vijake in pokrove za luknje vijakov.



7. Položite orodje vrat za predel hladilnika na srednji tečaj in nato namestite zgornji tečaj na drugi strani omarice. Na koncu povežite terminala 1 in 2 za signalne žice na strani zgornjega tečaja in terminala 3 in 4 na drugi strani ter pokrijte pokrov tečaja in pokrov za luknjo.



POZOR

Zgornja slika je samo za referenco. Dejanska konfiguracija je odvisna od fizičnega izdelka ali izjave distributerja.

Postavitev

- Pred uporabo odstranite ves embalažni material, vključno s spodnjimi blažilniki, penastimi blazinicami in trakovi v hladilniku; odstranite zaščitno folijo na vratih in ohišju hladilnika.
- Hladilnika ne postavite v bližini toplote in se izogibajte neposredni sončni svetlobi. Hladilnika ne postavite na vlažnem ali mokrem mestu, da preprečite rjavenje ali zmanjšanje izolacijskega učinka.
- Hladilnika ne pršite ali umivajte; hladilnika ne postavljajte na vlažna mesta, kjer lahko pride v stik z vodo, kar bi lahko vplivalo na električne izolacijske lastnosti hladilnika.
- Hladilnik postavite na dobro prezračено mesto v notranjih prostorih; tla morajo biti ravna in trpežna (če hladilnik ni stabilen, zavrtite izravnalne noge levo ali desno).



Izravnalne noge

Da se izognete vibracijam, mora biti enota poravnana.

Po potrebi prilagodite izravnalne vijake za izravnavo neravnih tal.

Sprednji del mora biti nekoliko višji od zadnjega dela za pomoč pri zapiranju vrat.

Izravnalne vijake lahko enostavno vrtite tako, a omarico nekoliko nagnete.

Izravnalne vijake zavrtite v nasprotni smeri urinega kazalca , da dvignete enoto, ali v smeri urinega kazalca , da jo spustite.

Premikanje naprave

1. Odstranite vso hrano iz naprave.
2. Izvlecite napajalni vtič ter ga vstavite in pritrdite na kavelj za napajalni vtič na zadnji strani ali na vrhu naprave.
3. Prilepite dele, kot so police in ročaj vrat, da preprečite njihov padec med premikanjem naprave.
4. Napravo morata previdno premakniti več kot dve osebi. Pri premikanju naprave na daljši razdalji naj naprava stoji pokončno.
5. Po namestitvi naprave priključite napajalni vtič v vtičnico za vklop naprave.

POZOR

Previdnostni ukrepi pred uporabo:

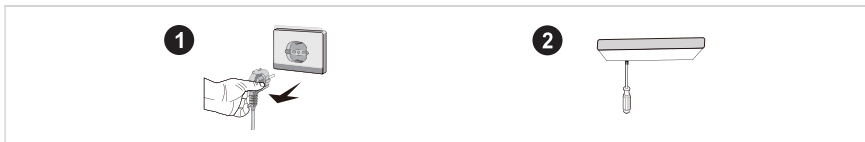
Pred opravljanjem sprememb morate hladilnik odklopiti z električnega napajanja. Izvesti morate previdnostne ukrepe, da preprečite telesne poškodbe.

Zamenjava luči

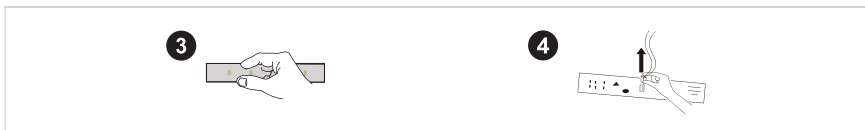
- Zamenjavo ali vzdrževanje LED-luči mora izvesti proizvajalec, njegov pooblaščen servisni zastopnik ali podobno usposobljena oseba. Ta izdelek vsebuje svetlobni vir razreda energetske učinkovitosti <F>.

Koraki

1. Pred odstranjenjem izvlecite vtič.
2. Z izvijačem odstranite pokrov žarnice



3. Odstranite ploščo luči.
4. Odstranite priključni terminal.



Priključitev naprave

Pred prvim vklopom mora hladilnik mirovati pol ure, preden ga priključite na električno napajanje.

POZOR

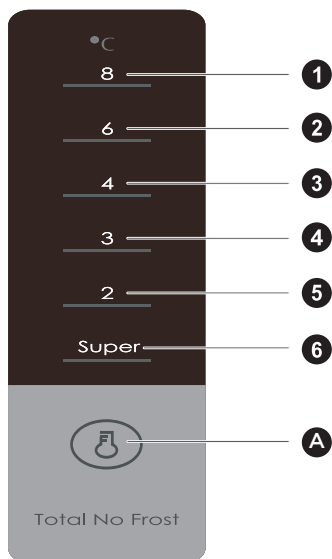
Preden v hladilnik postavite sveža ali zamrznjena živila, mora hladilnik delovati 2 do 3 ure oziroma več kot 4 ure poleti, ko je temperatura okolice visoka.

Nasveti za varčevanje z energijo

- Naprava mora biti postavljena v najbolj hladnem delu prostora, stran od naprav, ki oddajajo toploto, ali grelnih kanalov ter ne sme biti izpostavljena neposredni sončni svetlobi.
- Počakajte, da se vroča živila ohladijo na sobno temperaturo, preden jih postavite v napravo. Če napravo preveč naložite, mora kompresor delovati dlje. Živilo, ki zamrzne prepočasi, lahko izgubi kakovost ali se pokvari.
- Živila morate ustrezno zaviti in posode obrisati do suhega, preden jih postavite v napravo. S tem boste zmanjšali nabiranje leda v notranjosti naprave.
- Posode za shranjevanje v napravi ne smete obložiti z aluminijasto folijo, papirjem za peko ali papirnatiimi brisačami. Obloge ovirajo kroženje hladnega zraka, zaradi česar je naprava manj učinkovita.
- Organizirajte in označite živila, da zmanjšate odpiranje vrat in daljša iskanja živil. Iz naprave vzemite vsa potrebna živila naenkrat in čim prej zaprite vrata.

NAVODILA ZA UPORABO

Nadzorna plošča



POZOR

Zgornja slika je samo za referenco. Dejanska konfiguracija je odvisna od fizičnega izdelka ali izjave distributerja.

SL

Tipka

A	Gumb za nastavitev temperature
---	--------------------------------

Prikazni zaslon

1	nastavitev temperature 1
2	nastavitev temperature 2
3	nastavitev temperature 3
4	nastavitev temperature 4
5	nastavitev temperature 5
6	nastavitev temperature 6

Zaslon

Ob vklopu hladilnika bo zaslon (vključno z lučko tipk) zasvetil za 3 sekunde, nato pa hladilnik deluje glede na nastavev temperature 3.

Prikaz običajnega delovanja

V primeru napake bo ustrezna LED-lučka kombinirano prikazala kodo napake.

Če ni napake, bo LED-lučka prikazovala obstoječo nastavev temperature.

POZOR

Dejanska nadzorna plošča se lahko razlikuje glede na model.

Navodila za upravljanje

Nastavev naprave

- Nastavev temperature se spremeni ob vsakem pritisku tipke za NASTAVITEV. Nato začne hladilnik delovati po vrednosti nove nastavitve čez 15 sekund.

Nastavev 1 → Nastavev 2 → Nastavev 3 → Nastavev 4 → Nastavev 5 →
Nastavev 6 → Nastavev 1 →

Način hitrega hlajenja:

- Vklop: kroženje modulacije načina hitrega hlajenja.
- Delovanje: indikator hitrega hlajenja zasveti in hladilnik deluje s temperaturo 2 °C.
- Način hitrega hlajenja se samodejno izklopi po 24 urah.
- Funkcija hitrega hlajenja se lahko uporabi kot funkcija super zamrzovanja.

Gumb za ročno nastavev zračne lopute

- Če drsnik zračne lopute premaknete navzgor, se bo dejanska temperatura v predelu zamrzovalnika znižala, če pa drsnik zračne lopute premaknete navzdol, se bo dejanska temperatura v predelu zamrzovalnika dvignila.

TEMP-ZAMRZOVALNIK

NAJBOLJ HLADNO

HLADNEJŠE

HLADNO



Koda napake

- Naslednja opozorila, ki se prikažejo na zaslonu, prikazujejo ustrezne napake hladilnika. Čeprav v primeru naslednjih napak hladilnik še vedno ohranja funkcijo hlajenja in zamrzovanja, pa se mora uporabnik obrniti na strokovnjaka za vzdrževanje za zagotovitev normalnega delovanja hladilnika.

Koda napake	Opis napake
Lučki LED 1 in LED 2 svetita	Vezje senzorja temperature v hladilniku
Lučki LED 1 in LED 3 svetita	Senzor odtajanja v zamrzovalniku
Lučki LED 1 in LED 4 svetita	Senzor temperature okolice

POZOR

Opomba: Funkcija hitrega zamrzovanja je zasnovana za ohranjanje hranilne vrednosti hrane v zamrzovalniku. Hrano lahko zamrzne v najkrajšem možnem času. Če je potrebno naenkrat zamrzniti večjo količino hrane, je priporočljivo, da uporabnik vklopi funkcijo hitrega zamrzovanja in vstavi živila. Takrat se poveča hitrost zamrzovanja predela zamrzovalnika, kar lahko hitro zamrzne hrano, učinkovito ohrani hranilne vrednosti živil in olajša shranjevanje.

Predel za hlajenje

- Predel za hlajenje je primeren za shranjevanje različnega sadja, zelenjave, pijač in drugih živil, ki jih boste zaužili v kratkem času, predlagani čas shranjevanja je 3 do 5 dni.
- Kuhanih živil ne postavljajte v predel za hlajenje, dokler se ne ohladijo na sobno temperaturo.
- Priporočljivo je, da živila zatesnite, preden jih postavite v hladilnik.
- Steklene police lahko prilagodite navzgor ali navzdol za ustrezen prostor za shranjevanje in enostavno uporabo.

Predel zamrzovalnika

- Predel zamrzovalnika z nizko temperaturo ohranja živila sveža dlje časa in se uporablja predvsem za shranjevanje zamrznjenih živil in izdelavo ledu.
- Predel zamrzovalnika je primeren za shranjevanje mesa, rib, riževih kroglic in drugih živil, ki jih ne boste zaužili v kratkem času.
- Priporočljivo je, da večje kose mesa razdelite na manjše dele za hitro zamrzovanje in enostaven dostop. Upoštevajte, da morate živila porabiti pred iztekom roka uporabe.

POZOR

Opomba: Če v napravo hranite preveč živil po začetni priključitvi na napajanje, lahko to negativno vpliva na učinek zamrzovanja hladilnika.

Št.	VRSTA predela	Ciljna temp. shranjevanja [°C]	Primerna živila
1	Hladilnik	+2 ~ +8	Jajca, kuhana hrana, pakirana živila, sadje in zelenjava, mlečni izdelki~
2	(***)* – zamrzovalnik	≤-18	Morski sadeži (ribe, kozice, školjke), sladkovodne ribe in mesni izdelki (priporočeni čas shranjevanja 3 mesece, daljši kot je čas shranjevanja, slabša bosta okus in hranilne vrednosti), primerno za zamrzovanje svežih živil.
3	*** – zamrzovalnik	≤-18	Morski sadeži (ribe, kozice, školjke), sladkovodne ribe in mesni izdelki (priporočeni čas shranjevanja 3 mesece, daljši kot je čas shranjevanja, slabša bosta okus in hranilne vrednosti), primerno za zamrzovanje svežih živil.
4	** – zamrzovalnik	≤-12	Morski sadeži (ribe, kozice, školjke), sladkovodne ribe in mesni izdelki (priporočeni čas shranjevanja 3 mesece, daljši kot je čas shranjevanja, slabša bosta okus in hranilne vrednosti), primerno za zamrzovanje svežih živil.
5	* – zamrzovalnik	≤-6	Morski sadeži (ribe, kozice, školjke), sladkovodne ribe in mesni izdelki (priporočeni čas shranjevanja 3 mesece, daljši kot je čas shranjevanja, slabša bosta okus in hranilne vrednosti), primerno za zamrzovanje svežih živil.
6	0 zvezdic	-6 ~ 0	Sveža svinjina, govedina, ribe, piščanec, nekatera pakirana predelana živila itd. (priporočeno zaužitje v istem dnevu, po možnosti pa v največ 3 dneh). Delno zaprta predelana živila (živila, ki niso primerna za zamrzovanje).
7	Hlajenje	-2 ~ +3	Sveža/zamrznjena svinjina, govedina, piščanec, sladkovodne ribe itd. (7 dni pod temperaturo 0 °C in nad 0 °C je priporočeno zaužiti v istem dnevu, po možnosti pa po največ 2 dneh). Morski sadeži (manj kot 0 za 15 dni, priporočeno je shranjevanje nad temperaturo 0 °C).
8	Sveža živila	0 ~ +4	Sveža svinjina, govedina, ribe, piščanec, kuhana hrana itd. (priporočeno zaužitje v istem dnevu, po možnosti pa v največ 3 dneh).
9	Vino	+5 ~ +20	Rdeče vino, belo vino, peneče vino itd.

POZOR

Različna živila shranjujte v ustreznih predelih ali pri ciljni temperaturi shranjevanja.

ČIŠČENJE IN VZDRŽEVANJE

Splošno čiščenje

- Prah za hladilnikom in na tleh redno čistite za izboljšanje učinka hlajenja in varčevanje z energijo.
- Redno preverjajte tesnilo vrat, da se prepričate, da na njem ni ostankov. Tesnilo vrat očistite z mehko krpo, navlaženo z milnico ali razredčenim detergentom.
- Redno čistite notranjost hladilnika, da preprečite neprijetne vonjave.
- Pred čiščenjem notranjosti hladilnika izklopite napajanje, odstranite vso hrano, pijačo, police, predale itd.
- Notranjost hladilnika očistite z mehko krpo ali gobico, z dvema jedilnima žlicama sode bikarbone in približno litrom tople vode. Nato sperite z vodo in obrišite do čistega. Po čiščenju odprite vrata in pustite, da se naravno posuši, preden vklopite napajanje.
- Priporočljivo je, da območja v hladilniku, ki jih je težko očistiti (kot so ozki predeli, vrzeli ali vogali), redno brišete z mehko krpo, mehko ščetko ipd., in ko je potrebno, skupaj s pomožnimi orodji (na primer tankimi palčkami), da zagotovite, da se v teh območjih ne nabirajo onesnaževalci ali bakterije.
- Ne uporabljajte mila, detergenta, praška za drgnjenje, čistila v razpršilu ipd., saj lahko ti izdelki povzročijo neprijetne vonjave v notranjosti hladilnika ali kontaminirajo živila.
- Ogrodje za steklenice, police in predale očistite z mehko krpo, navlaženo z milnico ali razredčenim detergentom. Obrišite z mehko krpo ali pustite, da se naravno posuši.
- Zunanje površine hladilnika obrišite z mehko krpo, navlaženo z milnico, detergentom ipd., nato pa obrišite do suhega.
- Ne uporabljajte trdih ščetk, čistilnih jeklenih kroglic, žičnih krtač, abrazivnih sredstev (kot so paste za zobe), organskih topil (kot so alkohol, aceton, bananino olje ipd.), vrele vode, kislin ali alkalnih izdelkov, ki lahko poškodujejo površino in notranjost hladilnika. Vrela voda in organska topila, kot je benzen, lahko deformirajo ali poškodujejo plastične dele.
- Med čiščenjem ne izpirajte neposredno z vodo ali drugimi tekočinami, da preprečite kratke stike ali vplivanje na električno izolacijo po potopitvi.

POZOR

Za odtajanje in čiščenje hladilnik odklopite z napajanja.

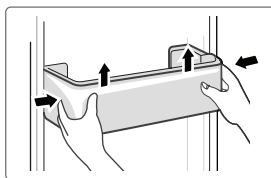
Odtajanje

- Hladilnik je izdelan na osnovi principa zračnega hlajenja in ima tako funkcijo samodejnega odtajanja. Zmrzal, ki nastane zaradi spremembe letnega časa ali temperature, lahko tudi ročno odstranite tako, da napravo odklopite z napajanja ali da ga obrišete s suho brisačo.

SL

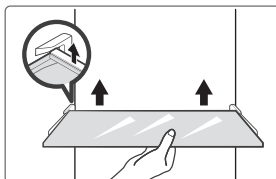
Čiščenje pladnjev za vrata

- Kot prikazujejo smerne puščice na spodnji sliki, z obema rokama stisnite pladenj in ga potisnite navzgor, da ga odstranite.
- Potem ko ste očistili pladenj, ki ste ga vzeli ven, lahko prilagodite njegovo višino namestitve glede na vaše zahteve.



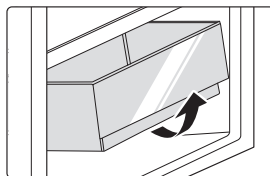
Čiščenje steklene police

- V najbolj notranjem delu hladilnika se na polici nahaja zadnje varovalo, kjer se police dotikajo hladilnika; police morate dvigniti navzgor, da jih boste lahko odstranili.
- Police očistite ali jih prilagodite glede na vaše zahteve.



Čiščenje predala za zelenjavo

1. Odstranite vsebino predala. Primite ročaj predala za zelenjavo in ga povem izvlecite, dokler se ne zaustavi.
2. Dvignite predal za zelenjavo in ga odstranite, tako da ga izvlečete.



SL

Nedelovanje

Izpad napajanja:

V primeru izpada napajanja lahko živila v notranjosti naprave hranite več ur, tudi poleti. Med trajanjem izpada napajanja zmanjšajte število odpiranja vrat in v napravo ne postavljajte novih svežih živil.

Dolgotrajna neuporaba:

Napravo morate odklopiti z napajanja in jo nato očistiti. Nato pustite odprta vrata, da preprečite neprijetne vonjave.

Premikanje:

Pred premikanjem hladilnika iz njega odstranite vse predmete, pritrdite steklene pregrade, predal za zelenjavo, predale v predelu zamrzovalnika in podobno s trakom ter privijte izravnalne noge. Zaprite vrata in jih pritrdite s trakom. Med premikanjem naprave ne smete položiti obrnjene od zgoraj navzdol ali vodoravno in je ne smete tresti; naklon med premikanjem naprave ne sme preseči 45°.

● POZOR

Ko napravo zaženete, mora delovati neprekinjeno. Delovanja naprave načeloma ne smete prekinjati, saj lahko to negativno vpliva na njeno življenjsko dobo.

ODPRAVLJANJE TEŽAV

Naslednja preprosta vprašanja lahko reši uporabnik. Če težave ne odpravite, pokličite servis.

Težava	Možen vzrok
Naprava ne deluje	<ul style="list-style-type: none">• Preverite, ali je naprava priključena na napajanje ali če ima vtič dober stik v vtičnici
	<ul style="list-style-type: none">• Preverite, ali je napetost prenizka
	<ul style="list-style-type: none">• Preverite, ali je prišlo do izpada napajanja ali izpada delnih tokokrogov
Neprijeten vonj	<ul style="list-style-type: none">• Živila z močnim vonjem morajo biti trdno ovita
	<ul style="list-style-type: none">• Preverite, ali je v napravi pokvarjeno živilo
	<ul style="list-style-type: none">• Očistite notranjost hladilnika
Dolgotrajno delovanje kompresorja	<ul style="list-style-type: none">• Dolgotrajno delovanje hladilnika je običajno poleti, ko je temperatura okolice visoka
	<ul style="list-style-type: none">• Priporočljivo je, da v napravi ni preveč živil hkrati
	<ul style="list-style-type: none">• Živila se morajo ohladiti, preden jih postavite v napravo
Luč se ne vklopi	<ul style="list-style-type: none">• Vrata se prepogosto odpirajo
	<ul style="list-style-type: none">• Preverite, ali je hladilnik priključen na napajanje in ali je luč poškodovana
	<ul style="list-style-type: none">• Luč naj zamenja strokovnjak
Vrat ni mogoče pravilno zapreti	<ul style="list-style-type: none">• Vrata so se zataknila s paketi hrane
	<ul style="list-style-type: none">• Hladilnik je nagnjen.
Glasi hrup	<ul style="list-style-type: none">• Preverite, ali so tla ravna in ali je hladilnik stabilno postavljen
	<ul style="list-style-type: none">• Preverite, ali je dodatna oprema nameščena na ustreznih mestih

SL

Težava	Možen vzrok
Tesnila vrat ne tesnijo	<ul style="list-style-type: none"> • Odstranite tujke s tesnil vrat • Segrejte tesnilo vrat in ga nato ohladite za obnovev (ali ga popihajte z električnim sušilnikom ali uporabite vročo brisačo za segretje)
Izlivanje iz posode z vodo	<ul style="list-style-type: none"> • V predelu je preveč živil ali pa shranjena živila vsebujejo preveč vode, kar povzroči močno odtajanje • Vrata niso pravilno zaprta, kar povzroči nabiranje ledu zaradi vstopa zraka in povečanje količine vode zaradi odtajanja
Vroče ohišje	<ul style="list-style-type: none"> • Razpršitev toplote vgrajenega kondenzatorja preko ohišja, kar je normalno. Ko se ohišje močno segreje zaradi visoke temperature okolice, shranjevanja preveč živil ali izklopa kompresorja, pride do prezračevanja za lažjo razpršitev toplote.
Kondenzacija na površini	<ul style="list-style-type: none"> • Kondenzacija na zunanji površini in tesnilih vrat hladilnika je normalna, kadar je vlažnost v okolici previsoka. Kondenzat obrišite s čisto brisačo.
Neobičajen hrup	<ul style="list-style-type: none"> • Brnenje: Kompresor lahko med delovanjem oddaja brnenje, to brnenje pa je glasno zlasti ob začetku ali ustavitvi delovanja. To je normalno. • Škripanje: Hladilna tekočina, ki se pretaka v notranjosti naprave, lahko povzroči škripanje, kar je normalno.

PRILOGA

Posebna določila za nov evropski standard

Naročene dele v naslednji tabeli lahko pridobite od kanala ponudnika storitev

Naročeni del	Zagotovi ga	Minimalni čas, zahtevan za zagotavljanje dela
Termostati	Pooblaščen servis	Najmanj 7 let po začetku prodaje zadnjega modela
Senzorji temperature	Pooblaščen servis	Najmanj 7 let po začetku prodaje zadnjega modela
Plošče tiskanega vezja	Pooblaščen servis	Najmanj 7 let po začetku prodaje zadnjega modela
Vir svetlobe	Pooblaščen servis	Najmanj 7 let po začetku prodaje zadnjega modela
Ročaji vrat	Profesionalni serviserji in končni uporabniki	Najmanj 7 let po začetku prodaje zadnjega modela
Tečaji vrat	Profesionalni serviserji in končni uporabniki	Najmanj 7 let po začetku prodaje zadnjega modela
Pladnji	Profesionalni serviserji in končni uporabniki	Najmanj 7 let po začetku prodaje zadnjega modela
Košare	Profesionalni serviserji in končni uporabniki	Najmanj 7 let po začetku prodaje zadnjega modela
Tesnila vrat	Profesionalni serviserji in končni uporabniki	Najmanj 10 let po začetku prodaje zadnjega modela

Spoštovani kupec

1. Če želite vrniti ali zamenjati izdelek, se obrnite na prodajalno, v kateri ste ga kupili. (S sabo morate prinesiti račun o nakupu)
2. Če se vaš izdelek pokvari in potrebuje popravilo, se obrnite na ponudnika poprodajnih storitev.

POZOR

Podatke o modelu v podatkovni bazi izdelka in identifikator modela lahko dobite prek spletne povezave, ki jo dobite s skeniranjem QR-kode (če obstaja) na nalepki o energetske učinkovitosti izdelka.

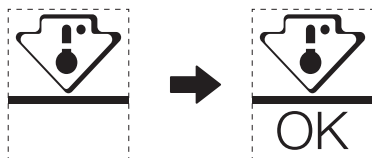
Za več informacij o energetske učinkovitosti naprave obiščite <https://ec.europa.eu> in iščite z uporabo imena modela.

Ime modela najdete na nazivni oznaki naprave.

Najhladnejše območje v hladilniku

IZBIRNO: OK-indikator temperature

- OK-indikator temperature se lahko uporabi za določitev temperature pod +4 °C. Če znak ne prikazuje "OK", postopoma znižujte temperaturo.



- Da zagotovite ustrezno temperaturo v tem območju, ne spreminjajte položaja police. Pri hladilnikih z dovajanjem zraka (modeli, opremljeni z ventilatorjem ali modeli Brez Zamrzovanja) simbol za najhladnejše območje ni prisoten, saj je temperatura v njih homogena.

Nastavitev indikatorja temperature

- Za lažjo nastavitev hladilnika je ta opremljen z indikatorjem temperature, ki spremlja povprečno temperaturo najhladnejšega območja.
- OPOZORILO: Ta indikator je namenjen delovanju samo z vašim hladilnikom, ne uporabljajte ga v drugem hladilniku (najhladnejše območje pravzaprav ni enako) ali za nobeno drugo uporabo.

Preverjanje temperature v najhladnejšem območju

- Z indikatorjem temperature lahko redno preverjate, da je temperatura najhladnejšega območja pravilna. Notranja temperatura hladilnika je odvisna od več dejavnikov, kot so temperatura okolice v prostoru, količina živil v hladilniku in pogostost odpiranja vrat. Pri nastavljanju naprave upoštevajte te dejavnike.
- Kadar indikator prikazuje "OK", to pomeni, da je termostat ustrezno nastavljen in je notranja temperatura pravilna.
- Če se indikator temperature spremeni v BELEGA, to pomeni, da je temperatura previsoka. V tem primeru povečajte nastavev temperature v hladilniku in počakajte 12 ur pred ponovnim vizualnim preverjanjem indikatorja. Če ste v hladilnik vstavili sveža živila ali če so bila odprta vrata, je mogoče, da se indikator temperature čez nekaj časa spremeni v BELEGA.

SCRISOARE DE MULȚUMIRE

Vă mulțumim că ați ales Midea! Înainte de a utiliza noul dvs. produs Midea, vă rugăm să citiți acest manual cu atenție, pentru a vă asigura că știți cum să utilizați într-o manieră sigură caracteristicile și funcțiile pe care le oferă noul dvs. aparat.

CUPRINS

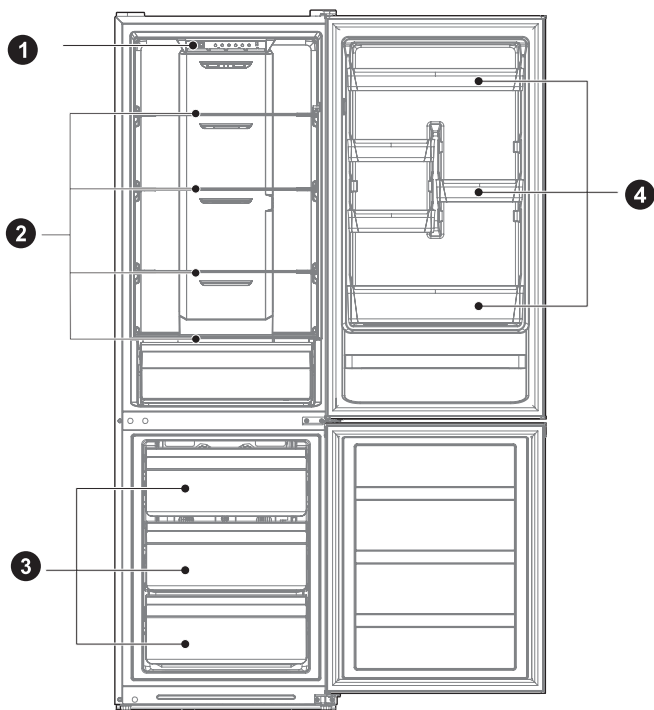
SCRISOARE DE MULȚUMIRE	01
SPECIFICAȚII	02
PREZENTARE GENERALĂ A PRODUSULUI	03
INSTALAREA PRODUSULUI	04
INSTRUCȚIUNI DE OPERARE	11
CURĂȚARE ȘI ÎNTREȚINERE	15
DEPANARE	17
ANEXĂ	19

SPECIFICAȚII

Model de produs	MDRB424FGE
Volumul compartimentului de depozitare pentru alimente proaspete	224L
Volumul compartimentului de depozitare pentru alimente congelate	86L
Tipul de dezghețare	Dezghețare automată
Timpe de creștere a temperaturii	8h
Capacitatea de congelare	3,9kg/24h
Tensiune/frecvență nominală	220-240V~/50Hz
Curentul nominal	0,8A
Dimensiuni totale (H x l x A)	1880x595x630mm

PREZENTARE GENERALĂ A PRODUSULUI

Numele componentelor



1 Iluminare LED

2 Raft

3 Sertar

4 Tavă ușă

● ATENȚIE

Imaginea de mai sus este doar pentru referință. Configurația reală va depinde de produsul fizic sau de declarația distribuitorului

RO

INSTALAREA PRODUSULUI

Instrucțiuni de instalare

Pentru aparate frigorifice cu clasă de climă

- În funcție de clasa de climă, acest aparat frigorific este destinat utilizării la intervalele de temperatură ambiantă specificate în tabelul următor.
- Clasa de climă poate fi găsită pe plăcuța de identificare. Produsul nu poate funcționa corespunzător la temperaturi în afara intervalului specificat.
- Puteți găsi clasa climatică pe eticheta produsului.

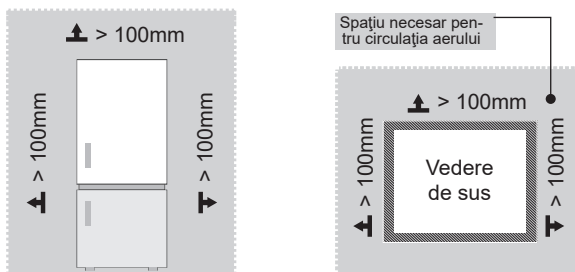
Interval de temperatură eficace

- Produsul este proiectat să funcționeze normal în intervalul de temperatură specificat pe plăcuța de identificare.

Clasă	Simbol	Interval de temperatură ambiantă	
		IEC 62552 (ISO 15502)	ISO 8561
Temperat extinsă	SN	de la + 10 până la + 32	de la + 10 până la + 32
Temperat	N	de la + 16 până la + 32	de la + 16 până la + 32
Subtropical	ST	de la + 16 până la + 38	+ 18 până la + 38
Tropical	T	de la + 16 până la + 43	+ 18 până la + 43

Dimensiuni și degajări

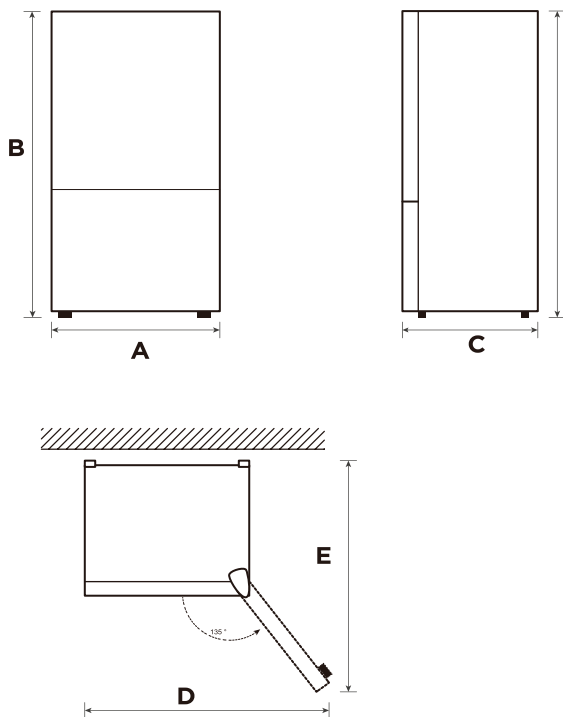
- O distanță prea mică față de articolele adiacente poate duce la degradarea capacității de îngheț și la creșterea costurilor cu energia electrică. Lăsați un spațiu liber de peste 100 mm de la fiecare perete adiacent atunci când instalați aparatul.



ATENȚIE

Imaginea de mai sus este doar pentru referință. Configurația reală va depinde de produsul fizic sau de declarația distribuitorului

Diagrama spațiului necesar (când ușa este deschisă și când ușa este închisă)



RO

Lățime	Înălțime totală	Adâncime	Lățimea ușilor se deschide la 135°	Adâncimea ușilor se deschid la 135°
A	B	C	D	E
595	1880	630	988	1074

Notă: Toate dimensiunile în mm

Schimbare ușă dreapta-stânga (opțional)

În funcție de locul în care intenționați să utilizați frigiderul, este posibil să vi se pară mai convenabil să inversați poziția ușii.

PRECAUȚIE

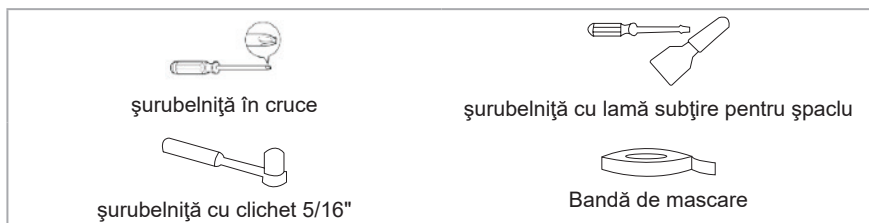
PRECAUȚIE: Pentru a evita rănirea dvs. sau a proprietății dvs., vă recomandăm ca cineva să vă ajute în timpul procesului de inversare a ușii.

Pregătirea pentru a inversa poziția ușii

Veți avea nevoie de: O șurubelniță standard, o șurubelniță Phillips și cheia Allen inclusă.

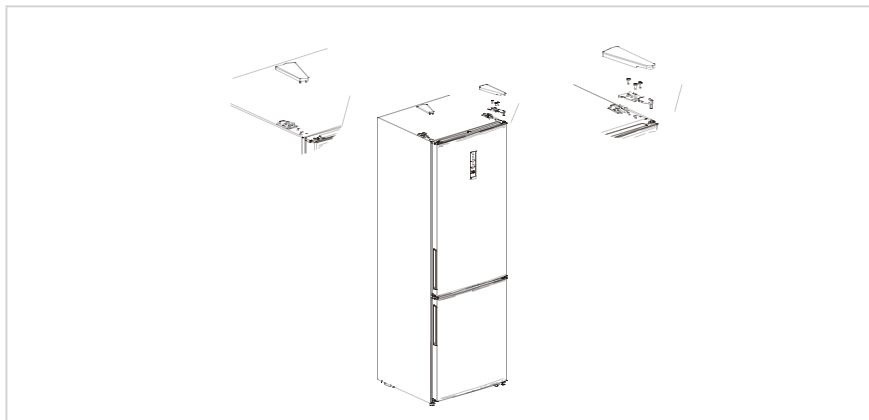
- Asigurați-vă că frigiderul este deconectat și gol.
- Aveți pe cineva disponibil pentru a vă ajuta în acest proces.
- Păstrați toate piesele pe care le eliminați pentru a le reutiliza mai târziu.

Instrumente necesare pentru schimbarea ușii:



Pasul

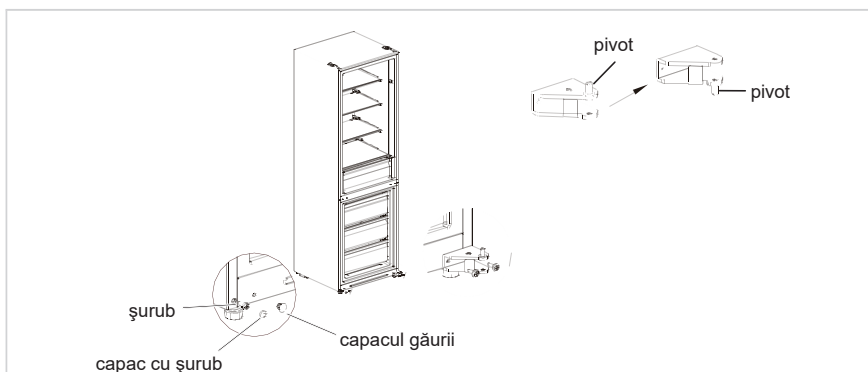
1. Opriti alimentarea frigiderului și îndepărtați toate obiectele de pe rafturile ușii.
2. Demontați capacul balamalei superioare, deconectați firele de semnal, balama superioară și capacul găurii de pe cealaltă parte, scoateți ușa de refrigerare.



3. Demontați balama din mijloc, șuruburile, capacele orificiilor și scoateți ușa congelatorului.

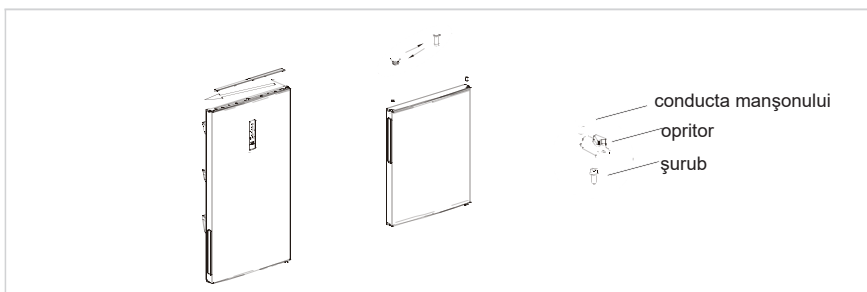


4. Demontați balamaua inferioară, capacele și șuruburile găurilor, Instalați arborele balamalei inferioare pe cealaltă parte a balamalei inferioare, apoi instalați balamaua pe cealaltă parte.

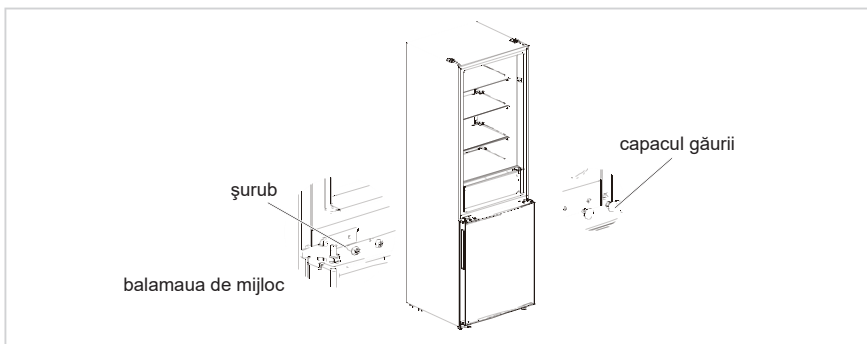


5. Demontați șuruburile, țeava manșonului și dopul de pe capacul inferior al celor două corpuri ale ușii și instalați-le succesiv pe cealaltă parte a corpurilor ușii (dopul trebuie înlocuit din punga suplimentară). Apoi scoateți capacul superior al ușii răcitorului și comutați cablajul cu o țeavă cu manșon pe cealaltă parte a corpului ușii. În cele din urmă, instalați țeava manșonului balamalei superioare pe ușa răcitorului în orificiul de pe cealaltă parte a capacului superior al ușii răcitorului.

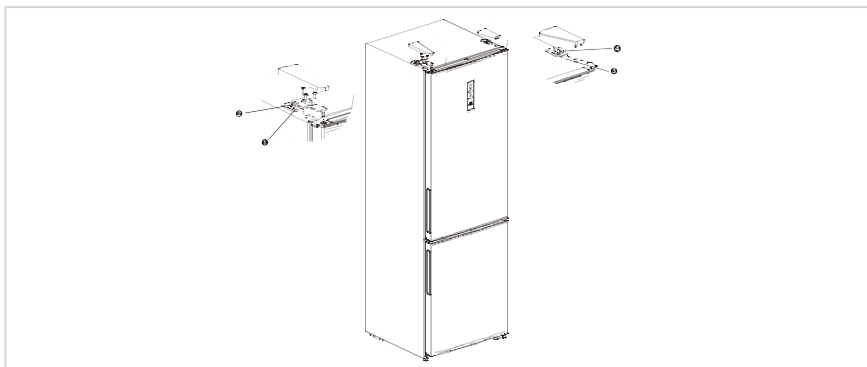
RO



6. Puneți ușa congelatorului pe balamaua inferioară, instalați balamaua din mijloc, șuruburile și capacele găurii șurubului.



7. Așezați corpul ușii pentru compartimentul frigiderului pe balamaua din mijloc, apoi instalați balamaua superioară pe cealaltă parte a dulapului, conectați în cele din urmă bornele 1, 2 pentru firele de semnal din partea balamalei superioare și bornele 3, 4 pe cealaltă parte și acoperiți capacul balamalei și capacul găurii.



ATENȚIE

Imaginea de mai sus este doar pentru referință. Configurația reală va depinde de produsul fizic sau de declarația distribuitorului.

Amplasarea

- Înainte de utilizare, scoateți toate materialele de ambalare, inclusiv garniturile inferioare, plăcuțele din spumă și benzile din interiorul frigiderului; rupeți folia de protecție de pe ușile și corpul frigiderului.
- Țineți-l departe de căldură și evitați lumina directă a soarelui. Nu amplasați congelatorul în locuri cu umiditate sau unde este multă apă, pentru a preveni ruginirea sau reducerea efectului de izolare.
- Nu stropiți cu apă și nu spălați cu apă frigiderul; nu puneți frigiderul în locuri umede, unde se produce cu ușurință stropirea, pentru a nu afecta proprietățile de izolare electrică ale frigiderului.
- Frigiderul trebuie să fie plasat într-un spațiu interior, bine ventilat; podeaua trebuie să fie plană și rezistentă (dacă este instabil, rotiți spre stânga sau spre dreapta roțile de reglare a poziției orizontale).


Picioare de echilibrare

Pentru a evita vibrațiile, unitatea trebuie să fie nivelată.

Dacă este necesar, reglați șuruburile de nivelare pentru a compensa podeaua neuniformă.

Partea din față trebuie să fie puțin mai înaltă decât partea din spate pentru a ajuta la închiderea ușii.

Șuruburile de nivelare pot fi rotite cu ușurință prin înclinarea ușoară a dulapului.

Rotiți șuruburile de nivelare în sensul invers acelor de ceasornic  pentru a ridica unitatea, în sensul acelor de ceasornic  pentru a-l coborî.

Mutarea aparatului

1. Scoateți toate alimentele din interiorul aparatului.
2. Scoateți ștecherul, introduceți-l și fixați-l în cârligul ștecherului din spate sau deasupra aparatului.
3. Piese de bandă, cum ar fi rafturile și mânerul ușii, pentru a preveni căderea în timpul deplasării aparatului.
4. Mutați aparatul în mai mult de două persoane și cu atenție. Când transportați aparatul la o distanță lungă, păstrați aparatul în poziție verticală.
5. După instalarea aparatului, conectați fișa de alimentare la o priză pentru a porni aparatul.

ATENȚIE

Precauții înainte de operare:

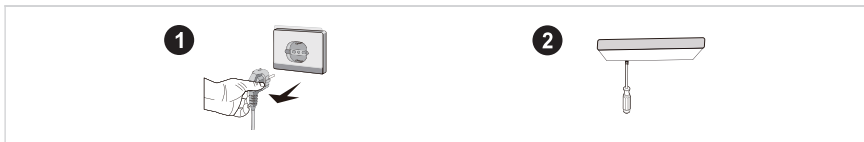
Înainte de a efectua modificări, frigiderul trebuie deconectat de la alimentare. trebuie luate măsuri de precauție pentru a preveni orice vătămare corporală.

Schimbarea luminii

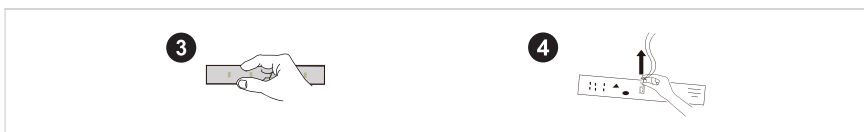
- Orice înlocuire sau întreținere a lămpilor LED, este destinată să fie făcută de producător, agentul său de service sau o persoană calificată similară. Acest produs conține o sursă de lumină din clasa de eficiență energetică < F >.

Pasul

1. Vă rugăm să scoateți ștecherul înainte de îndepărtare.
2. Îndepărtați abajurul cu o șurubelniță



3. Dați jos plăcuța lămpii.
4. Îndepărtați terminalul conectorului.



Conectarea aparatului

Înainte de prima pornire, țineți frigiderul nemișcat timp de o jumătate de oră înainte de a-l conecta la alimentarea electrică.

ATENȚIE

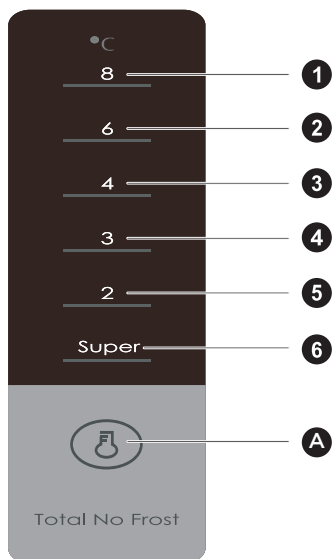
Înainte de a pune alimente proaspete sau congelate, frigiderul trebuie să funcționeze 2-3 ore sau mai mult de 4 ore vara când temperatura ambiantă este ridicată.

Sfaturi pentru economisirea energiei

- Aparatul trebuie să fie amplasat în zona cea mai răcoroasă a încăperii, departe de aparatele producătoare de căldură sau de țevile de încălzire și de lumina directă a soarelui.
- Lăsați alimentele calde să se răcească la temperatura camerei înainte de a le introduce în aparat. Supraîncărcarea aparatul obligă compresorul să funcționeze mai mult. Alimentele care se congelează prea lent își pot pierde calitatea sau se pot altera.
- Asigurați-vă că alimentele sunt împachetate corespunzător și că recipientele sunt uscate înainte de a fi introduse în frigider. Acest lucru reduce formarea gheții în interiorul aparatului.
- Coșul de depozitare al aparatului nu trebuie căptușit cu folie de aluminiu, hârtie cerată sau prosoape de hârtie. Căptușelile interferează cu circulația aerului rece, ceea ce face ca aparatul să fie mai puțin eficient.
- Organizați și etichetați alimentele pentru a reduce deschiderea ușilor și căutărilor extinse. Scoateți cât mai multe articole necesare la un moment dat și închideți ușa cât mai curând posibil.

INSTRUCȚIUNI DE OPERARE

Panou de control



ATENȚIE

Imaginea de mai sus este doar pentru referință. Configurația reală va depinde de produsul fizic sau de declarația distribuitorului.

Tastă

A Buton de setare a temperaturii

Afișaj

1	setarea temperaturii 1
2	setarea temperaturii 2
3	setarea temperaturii 3
4	setarea temperaturii 4
5	setarea temperaturii 5
6	setarea temperaturii 6

RO

Afișaj

Când porniți frigiderul, ecranul de afișare (inclusiv lumina cheie) va străluci în întregime timp de 3 secunde, apoi frigiderul funcționează în conformitate cu setarea de temperatură 3.

Afișajul în timpul funcționării normale

La apariția unei defecțiuni, lumina LED corespunzătoare va oferi o Afișare combinată a codului de defecțiune (în afișajul de reciclare);

În cazul în care nu există nicio defecțiune, lumina LED va afișa setarea de temperatură existentă.

ATENȚIE

Panoul de comandă propriu-zis poate diferi de la un model la altul.

Instrucțiuni de operare

Setarea angrenajului

- Setarea temperaturii va fi modificată o dată de fiecare dată când apăsați tasta SET. Apoi, frigiderul va funcționa sub noua valoare de setare după 15 secunde.

Setarea 1 → Setarea 2 → Setarea 3 → Setarea 4 → Setarea 5 → Setarea 6 → Setarea 1 →

Mod de răcire rapidă:

- Introduceți: Modul de răcire rapidă a modulației circulante.
- Funcționare: Indicatorul de răcire rapidă se aprinde, iar frigiderul funcționează la 2 C.
- Modul de răcire rapidă este dezactivat automat timp de 24 de ore.
- Funcția de răcire rapidă poate fi utilizată ca funcție de super îngheț.

Reglarea butonului manual al amortizorului de aer

- Rotiți cursorul clapetei de aer în sus, temperatura reală din interiorul camerei de congelare va scădea, rotiți cursorul clapetei de aer în jos, temperatura reală din interiorul camerei de congelare va crește.

TEMPERATURĂ-CONGELATOR

CEL MAI RECE

MAI RECE

RECE



Cod eroare

- Următoarele avertismente care apar pe afișaj indică defecțiunile corespunzătoare ale frigiderului. Deși frigiderul poate avea în continuare funcție de răcire și congelare cu următoarele defecțiuni, utilizatorul trebuie să contacteze un specialist în întreținere pentru întreținere, pentru a asigura utilizarea normală a frigiderului.

Cod eroare	Descrierea erorii
LED-ul 1 și LED-ul 2 aprins	Circuitul senzorului de temperatură a frigiderului
LED-ul 1 și LED-ul 3 aprins	Senzor de dezghețare a congelatorului
LED-ul 1 și LED-ul 4 aprins	Senzor de temperatură ambientală

ATENȚIE

Notă Funcția de congelare rapidă are rolul de a menține valoarea nutritivă a alimentelor din congelator. Aceasta are ca efect congelarea alimentelor în cel mai scurt timp posibil. Dacă se congelează deodată o cantitate mare de alimente, se recomandă ca utilizatorul să activeze funcția de congelare rapidă și să introducă alimentele. În acest moment, viteza de congelare a compartimentului de congelare crește, ceea ce conduce la congelarea rapidă a alimentelor, menținerea eficientă a valorii nutriționale și facilitarea depozitării.

Compartiment frigorific

- Compartimentul frigiderului este potrivit pentru depozitarea unei varietăți de fructe, legume, băuturi și alte alimente consumate pe termen scurt. Timp de depozitare sugerat: de la 3 zile până la 5 zile.
- Alimentele găsite nu trebuie introduse în compartimentul frigorific, decât răcite la temperatura camerei.
- Alimentele se recomandă să fie acoperite înainte de a fi introduse în frigider.
- Rafturile din sticlă pot fi reghlate în sus sau în jos pentru un volum rezonabil de depozitare și o utilizare ușoară.

Compartiment de congelare

- Camera de congelare la temperatură scăzută poate menține alimentele proaspete pentru o lungă perioadă de timp și este utilizată în principal pentru depozitarea alimentelor congelate și producerea de gheață.
- Compartimentul congelatorului este potrivit pentru depozitarea cărnii, a peștelui, a bilor de orez și a altor alimente care nu vor fi consumate pe termen scurt.
- Bucățile de carne trebuie împărțite de preferință în bucăți mici pentru înghețare rapidă și acces ușor. Vă rugăm să rețineți că produsele alimentare trebuie consumate în termenul de valabilitate.

ATENȚIE

Notă Depozitarea unei cantități prea mari de alimente în timpul funcționării după conectarea inițială la curent, poate afecta negativ efectul de congelare al frigiderului.

Comandă	TIP compartimente	Temperatura de stocare țintă. [°C]	Alimente adecvate
1	Frigider	+2 ~ +8	Ouăle, alimentele gătitе, alimentele ambalate, fructele și legumele, produsele lactate, prăjiturile, băuturile și alte alimente nu sunt potrivite pentru congelare.
2	(** *) * - Congelator	≤-18	Fructe de mare (pește, creveți, crustacee), produse acvatice de apă dulce și produse din carne (recomandate timp de 3 luni, cu cât timpul de depozitare este mai lung, cu atât gustul și nutriția sunt mai rele), potrivite pentru alimente proaspete congelate.
3	*** -Congelator	≤-18	Fructe de mare (pește, creveți, crustacee), produse acvatice de apă dulce și produse din carne (recomandate timp de 3 luni, cu cât timpul de depozitare este mai lung, cu atât gustul și nutriția sunt mai rele), potrivite pentru alimente proaspete congelate.
4	** -Congelator	≤-12	Fructe de mare (pește, creveți, crustacee), produse acvatice de apă dulce și produse din carne (recomandate timp de 3 luni, cu cât timpul de depozitare este mai lung, cu atât gustul și nutriția sunt mai rele), potrivite pentru alimente proaspete congelate.
5	* -Congelator	≤-6	Fructe de mare (pește, creveți, crustacee), produse acvatice de apă dulce și produse din carne (recomandate timp de 3 luni, cu cât timpul de depozitare este mai lung, cu atât gustul și nutriția sunt mai rele), potrivite pentru alimente proaspete congelate.
6	0 stele	-6 ~ 0	Carne de porc proaspătă, carne de vită, pește, pui, unele alimente procesate ambalate etc. (Recomandat să mănânce în aceeași zi, de preferință nu mai mult de 3 zile). Alimente procesate parțial încapsulate (non-congelabil alimente).
7	Frig	-2 ~ +3	Carne de porc proaspătă/congelată, carne de vită, pui, produse acvatice de apă dulce etc. (7 zile sub 0° C și peste 0° C sunt recomandate pentru consum în aceea zi, de preferință nu mai mult de 2 zile). Fructe de mare (mai puțin de 0 timp de 15 zile, nu se recomandă păstrarea la temperaturi peste 0° C.
8	Alimente proaspete	0 ~ +4	Carne proaspătă de porc, carne de vită, pește, pui, mâncare gătită etc. (Se recomandă să fie consumată în aceeași zi, de preferință nu mai mult de 3 zile)
9	Vin	+5 ~ +20	Vin roșu, vin alb, vin spumant etc.

ATENȚIE

vă rugăm să depozitați alimente diferite în funcție de compartimentele sau de temperatura de depozitare țintă a alimentelor achiziționate.

CURĂȚARE ȘI ÎNTREȚINERE

Curățarea generală

- Prafurile din spatele frigiderului și de pe podea trebuie curățate în timp util pentru a îmbunătăți efectul de răcire și economia de energie.
- Verificați periodic garnitura ușii pentru a vă asigura că nu există resturi. Curățați garnitura ușii cu o cârpă moale umezită cu apă cu săpun sau detergent diluat.
- Interiorul frigiderului trebuie curățat regulat pentru a evita mirosurile neplăcute.
- Vă rugăm să opriți alimentarea înainte de a curăța interiorul, îndepărtați toate alimentele, băuturile, rafturile, sertarele etc.
- Folosiți o cârpă moale sau un burete pentru a curăța interiorul frigiderului, cu două linguri de bicarbonat de sodiu și un litru de apă caldă. Apoi clătiți cu apă și ștergeți cu o cârpă curată. După curățare, deschideți ușa și lăsați aparatul să se usuce natural înainte de a-l porni.
- Pentru zonele care sunt dificil de curățat în frigider (cum ar fi sandvișuri înguste, goluri sau colțuri), se recomandă ștergerea regulată a acestora cu o cârpă moale, perie moale etc. și, dacă este necesar, combinată cu unele instrumente auxiliare (cum ar fi bastoane subțiri) pentru a nu se acumula contaminanți sau bacterii în aceste zone.
- Nu folosiți săpun, detergent, pudră abrazivă, aparat de curățat, etc., deoarece acestea pot provoca mirosuri neplăcute în interiorul frigiderului sau contaminarea alimentelor.
- Curățați cadrul sticlei, rafturile și sertarele cu o cârpă moale umezită cu apă cu săpun sau detergent diluat. Uscați cu o cârpă moale sau uscați natural.
- Ștergeți suprafața exterioară a frigiderului cu o cârpă moale înmuiată cu apă cu săpun, detergent etc. și apoi ștergeți-o.
- Nu utilizați perii dure, bile de oțel curate, perii de sârmă, abrazivi (cum ar fi paste de dinți), solvenți organici (precum alcool, acetonă, ulei de banane etc.), apă clocotită, obiecte acide sau alcaline, care pot deteriora suprafața frigiderului și interiorului. Apa fiartă și solvenții organici, cum ar fi benzenul, pot deforma sau deteriora părțile din plastic.
- Nu clătiți direct cu apă sau alte lichide în timpul curățării pentru a evita scurtcircuitele sau afectarea izolației electrice după scufundare.

ATENȚIE

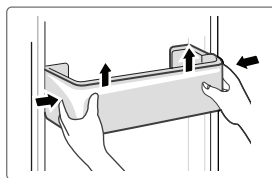
Deconectați frigiderul pentru operațiunile de decongelare și curățare.

Decongelarea

- Frigiderul este realizat pe baza principiului răcirii aerului, prin urmare dispune de o funcție de decongelare automată. Gheața formată din cauza schimbării anotimpului sau a temperaturii poate fi de asemenea îndepărtată manual prin deconectarea aparatului de la sursa de alimentare sau prin ștergere cu un prosop uscat.

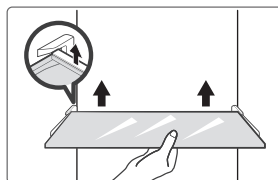
Curățarea tăvii din ușă

- Conform săgeții de direcție din figura de mai jos, folosiți ambele mâini pentru a strânge tava și împingeți-o în sus, apoi o puteți scoate.
- După spălarea tăvii au fost luate afară, puteți regla înălțimea de instalare în funcție de cerințele dvs.



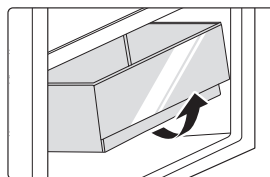
Curățarea raftului de sticlă

- Deoarece partea cea mai interioară a căptușelii frigiderului în care contactul cu rafturile are o barieră, veți ridica rafturile în sus, apoi le veți putea scoate.
- Reglați sau curățați rafturile în funcție de cerințele dumneavoastră.



Curățarea sertarului pentru legume

1. Scoateți conținutul sertarului. Țineți mânerul sertarului pentru legume și trageți-l complet până când se oprește.
2. Ridicați sertarul pentru legume și scoateți-l trăgându-l afară.



Scoaterea din uz

Pană de curent:

În caz de întrerupere a energiei electrice, chiar dacă este vara, alimentele din interiorul aparatului pot fi păstrate câteva ore; în timpul penei de curent, timpul de deschidere a ușii trebuie redus și nu trebuie introduse alimente proaspete în aparat.

Neutilizare pe termen lung:

Aparatul trebuie deconectat și apoi curățat; apoi ușile vor fi lăsate deschise pentru a preveni mirosul.

Mutare:

Înainte ca frigiderul să fie mutat, scoateți toate obiectele din interior, fixați cu bandă adezivă pereții despărțitori din sticlă, cutia pentru legume, sertarele compartimentului de congelare și celelalte și strângeți picioarele de echilibrare; închideți ușile și fixați-le cu bandă adezivă. În timpul deplasării, aparatul nu trebuie așezat cu susul în jos sau orizontal, sau vibrat; înclinația în timpul mișcării nu trebuie să depășească 45°.

● ATENȚIE

Aparatul ar trebui să funcționeze continuu, odată ce a fost pornit. N general, funcționarea aparatului nu trebuie întreruptă; în caz contrar, durata de viață poate fi afectată.

DEPANARE

Următoarele probleme simple trebuie remediate de utilizator. Adresați-vă departamentului de servicii post-vânzare dacă problemele nu se remediază.

Problemă	Motiv posibil
Funcționare eșuată	• Verificați dacă aparatul este conectat la energie sau dacă priza este într-un contact bun
	• Verificați dacă tensiunea este prea mică
	• Verificați dacă există o pană de curent sau dacă circuitele parțiale s-au declanșat
Miros neplăcut	• Alimentele mirositoare trebuie să fie împachetate strâns
	• Verificați dacă există alimente alterate
	• Curățați interiorul frigiderului
Funcționarea pe termen lung a compresorului	• Funcționarea îndelungată a frigiderului este normală vara când temperatura ambiantă este ridicată
	• Nu se recomandă să păstrați prea multe alimente în aparat în același timp
	• Alimentele trebuie să se răcească înainte de a fi puse în aparat
	• Ușile sunt deschise prea des
Lumina nu se aprinde	• Verificați dacă frigiderul este conectat la sursa de alimentare și dacă lumina iluminatoare este deteriorată
	• Solicitați înlocuirea luminii de către un specialist
Ușa nu poate fi închisă corespunzător	• Ușa este blocată de pachetele cu alimente
	• Frigiderul este înclinat.
Zgomot puternic	• Verificați dacă podeaua este plană și dacă frigiderul este așezat stabil
	• Verificați dacă accesoriile sunt amplasate în locații adecvate

Problemă	Motiv posibil
Etanșarea ușii nu este strânsă	<ul style="list-style-type: none"> • Îndepărtați obiectele străine de pe garnitura ușii • Încălziți garnitura ușii și apoi răciți-o pentru restaurare (sau folosiți un uscător electric, sau un prosop fierbinte pentru încălzire).
Tava colectoare de apă se revarsă	<ul style="list-style-type: none"> • Există prea multe alimente în compartiment sau alimentele depozitate conțin prea multă apă, ducând la o decongelare puternică. • Ușile nu sunt închise corespunzător, ceea ce duce la înghețare din cauza pătrunderii aerului și a cantității mari de apă cauzate de dezghețare
Carcasă fierbinte	<ul style="list-style-type: none"> • Căldura condensatorului încorporat este disipată prin intermediul carcasei, acest lucru fiind normal. În cazul în care carcasa se înfierbântă din cauza temperaturii ambiante ridicate, stocării unei cantități prea mari de alimente sau opririi compresorului, asigurați ventilarea puternică pentru a ușura disiparea căldurii.
Condensarea suprafeței	<ul style="list-style-type: none"> • Condensarea pe suprafața exterioară și etanșările ușilor frigiderului este normală atunci când umiditatea ambientală este prea mare. Ștergeți condensul cu un prosop curat.
Zgomot anormal	<ul style="list-style-type: none"> • Bâzâit: Compresorul poate produce sunete în timpul funcționării, iar sunetele sunt puternice în special la pornire sau oprire. Acest lucru este normal. • Scârțâit: Curgerea agentului frigorific în interiorul aparatului poate produce scârțâit, lucru care este normal.

ANEXĂ

Special pentru noul standard european

Piese comandate în tabelul următor pot fi achiziționate de la canalul furnizorului de servicii

Piesa comandată	Furnizat de	Perioadă minimă necesară de furnizare
Termostate	Personal de întreținere profesionist	La cel puțin 7 ani de la lansarea pe piață a ultimului model
Senzorul de temperatură	Personal de întreținere profesionist	La cel puțin 7 ani de la lansarea pe piață a ultimului model
Placă cu circuite imprimate	Personal de întreținere profesionist	La cel puțin 7 ani de la lansarea pe piață a ultimului model
Sursa de lumină	Personal de întreținere profesionist	La cel puțin 7 ani de la lansarea pe piață a ultimului model
Mănerul ușii	Reparatori profesioniști și utilizatori finali	La cel puțin 7 ani de la lansarea pe piață a ultimului model
Balamale de ușă	Reparatori profesioniști și utilizatori finali	La cel puțin 7 ani de la lansarea pe piață a ultimului model
Tăvi	Reparatori profesioniști și utilizatori finali	La cel puțin 7 ani de la lansarea pe piață a ultimului model
Coșuri	Reparatori profesioniști și utilizatori finali	La cel puțin 7 ani de la lansarea pe piață a ultimului model
Garnituri pentru uși	Reparatori profesioniști și utilizatori finali	La cel puțin 10 ani de la lansarea pe piață a ultimului model

Stimate client

1. Dacă doriți să returnați sau să înlocuiți produsul, vă rugăm să contactați magazinul de unde l-ați cumpărat.

(Nu uitați să aduceți factura de cumpărare)

2. Dacă produsul dvs. se defectează și trebuie reparat, contactați furnizorul de servicii post-vânzare.

ATENȚIE

Informațiile privind modelul din baza de date cu produse, precum și codul de identificare a modelului pot fi aflate cu ajutorul unui link web obținut prin scanarea codului QR de pe eticheta de eficiență energetică a produsului.

Pentru mai multe informații despre eficiența energetică a aparatului, vizitați <https://ec.europa.eu> și căutați folosind numele modelului.

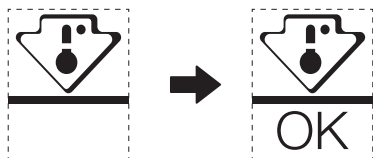
Numele modelului poate fi găsit pe eticheta de evaluare a aparatului.

RO

Cea mai rece zonă din frigider

OPȚIONAL: Indicator de temperatură OK

- Indicatorul de temperatură OK poate fi utilizat pentru a determina temperaturi sub +4°C. Reduceți treptat temperatura dacă semnul nu indică "OK".



- Pentru a menține temperatura în această zonă, nu modificați poziția raftului. Frigidere cu aer forțat (echipate cu ventilator sau modele nu îngheț), simbolul celei mai reci zone nu este reprezentat, deoarece temperatura din interior este omogenă.

Setarea indicatorului de temperatură

- Pentru a vă ajuta să reglați frigiderul bine, acesta este dotat cu un indicator de temperatură care va monitoriza temperatura medie în zona cea mai rece.
- AVERTISMENT: Acest indicator este destinat să funcționeze numai cu frigiderul dvs., nu îl utilizați în alt frigider (de fapt, zona cea mai rece nu este aceeași) sau pentru orice altă utilizare.

Verificarea temperaturii în zona cea mai rece

- Cu ajutorul indicatorului de temperatură, puteți verifica în mod regulat, dacă temperatura din zona cea mai rece este corectă. Într-adevăr, temperatura internă a frigiderului depinde de mai mulți factori, cum ar fi temperatura ambiantă a camerei, cantitatea de alimente depozitate și frecvența deschiderii ușii. Luați în considerare acești factori atunci când setați dispozitivul.
- Atunci când indicatorul arată «OK», înseamnă că termostatul este bine reglat și că temperatura internă este corectă.
- Dacă indicatorul de temperatură devine ALB, înseamnă că temperatura este prea mare; în acest caz, măriți setarea de control a temperaturii frigiderului și așteptați timp de 12 ore înainte de a verifica din nou indicatorul. Dacă s-au introdus alimente proaspete sau dacă ușa a fost lăsată deschisă, este posibil ca indicatorul de temperatură să devină ALB după un timp.

БЛАГОДАРНОСТИ

Благодарим Ви, че избрахте Midea! Преди да използвате новия си уред Midea, прочетете внимателно това ръководство, за са сте сигурни, че знаете как да използвате безопасно функциите, които този нов уред предлага.

СЪДЪРЖАНИЕ

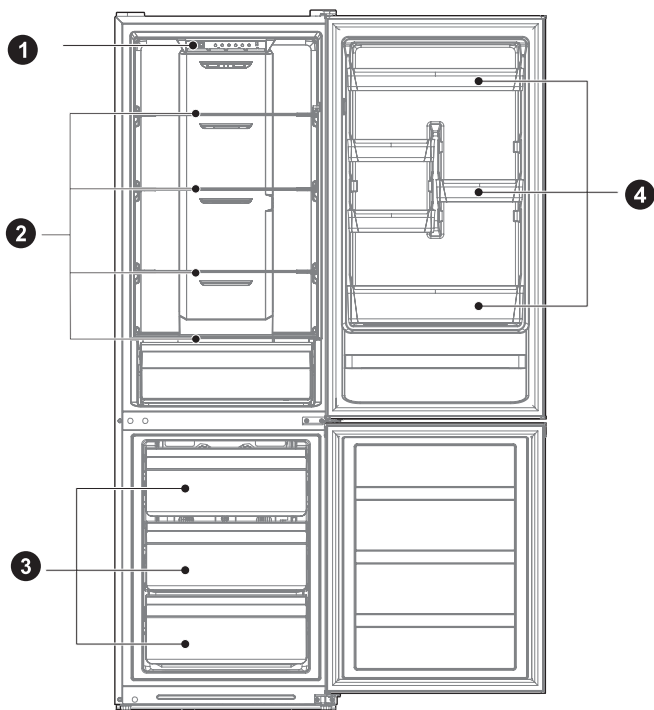
БЛАГОДАРНОСТИ	01
ХАРАКТЕРИСТИКИ	02
ПРЕГЛЕД НА ПРОДУКТА	03
МОНТИРАНЕ НА ПРОДУКТА	04
ИНСТРУКЦИИ ЗА РАБОТА	11
ПОЧИСТВАНЕ И ПОДДРЪЖКА	15
ОТСТРАНЯВАНЕ НА ПРОБЛЕМИ	17
ДОПЪЛНЕНИЕ	19

ХАРАКТЕРИСТИКИ

Модел на продукта	MDRB424FGE
Обем на отделениято за съхранение на пресни продукти	224 L
Обем за съхранение на замразени храни	86 L
Тип размразяване	Автоматично размразяване
Време за повишаване на температурата	8 часа
Капацитет за замразяване	3,9 kg / 24 часа
Номинално напрежение/честота	220-240V~/50Hz
Номинален ток	0,8 A
Общи размери (В x Ш x Д)	1880 x 595 x 630 mm

ПРЕГЛЕД НА ПРОДУКТА

Наименования на компонентите



1 LED осветление

2 Рафт

3 Чекмедже

4 Рафт на вратата

BG

ЗАБЕЛЕЖКА

Горното изображение е само за справка. Действителната конфигурация зависи от самия продукт или дистрибутора

МОНТИРАНЕ НА ПРОДУКТА

Инструкции за монтиране

За хладилни уреди с климатичен клас

- В зависимост от климатичния клас, този хладилен уред е предназначен за употреба при посочените в долната таблица температурни диапазони.
- Климатичният клас е посочен на табелката на уреда. Продуктът може да не работи оптимално при температури извън посочения диапазон.
- Климатичният клас се намира на продуктивия етикет.

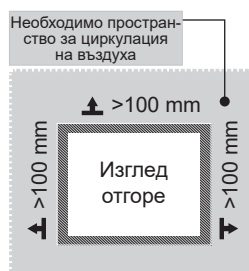
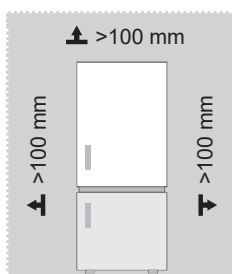
Температурен диапазон на ефективност

- Продуктът е проектиран да работи нормално в указания за неговия клас температурен диапазон.

Клас	Символ	Диапазон на околната температура ° C	
		IEC 62552 (ISO 15502)	ISO 8561
Разширен клас за умерен климат	SN	+ 10 до + 32	+ 10 до + 32
Клас за умерен климат	N	+ 16 до + 32	+ 16 до + 32
Клас за субтропичен климат	ST	+ 16 до + 38	+ 18 до + 38
Клас за тропичен климат	T	+ 16 до + 43	+ 18 до + 43

Размери и отстояния

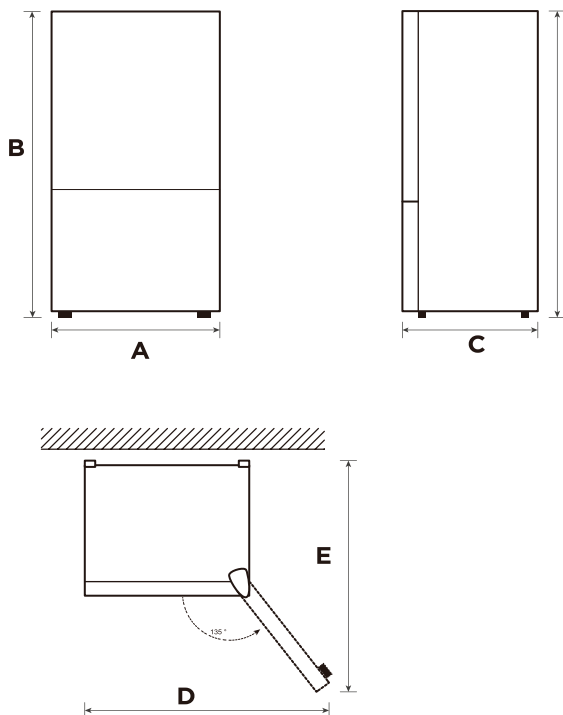
- Твърде малкото разстояние от съседни предмети може да доведе до намаляване на капацитета на замразяване и до повишаване на разходите за електроенергия. Оставете отстояния над 100 mm от всяка съседна стена, когато монтирате уреда.



ЗАБЕЛЕЖКА

Горното изображение е само за справка. Действителната конфигурация зависи от самия продукт или дистрибутора

Диаграма на пространствените изисквания (при отворена и при затворена врата)



BG

Ширина	Обща височина	Дълбочина	При врати, отворени на 135°	Дълбочина при врати, отворени на 135°
A	B	C	D	E
595	1880	630	988	1074

Забележка: Всички размери са в mm

Смяна на дясно или ляво отваряне на вратата (опционално)

Въз основа на местоположението, където планирате да използвате хладилника, може да е по-удобно да смените разположението на вратата.

ВНИМАНИЕ

ВНИМАНИЕ: За да избегнете нараняване или имуществени щети препоръчваме да използвате помощ от още един човек при смяната на посоката на вратата.

Подготовка за обръщане на разположението на вратата.

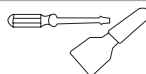
Необходими инструменти: Стандартна отвертка, отвертка Phillips и предоставеният шестограмен ключ.

- Уверете се, че хладилникът е изваден от електрозахранването и е празен.
- Използвайте помощ от друг човек за тази дейност.
- Запазете всички части, които свалите, за да ги използвате отново по-късно.

Необходими инструменти за смяна на посоката на вратата:



Кръстатa отвертка



Шпакла, тънка отвертка



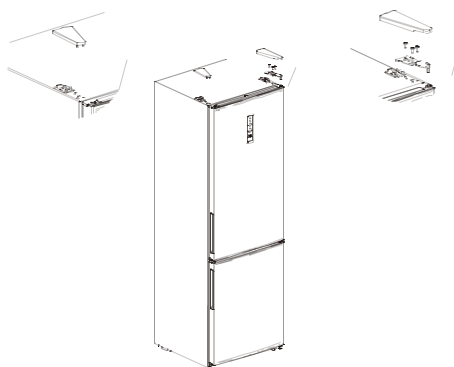
Гаечен ключ 8 мм (5/16") с тресчотка



Самозалепваща лента

Стъпка

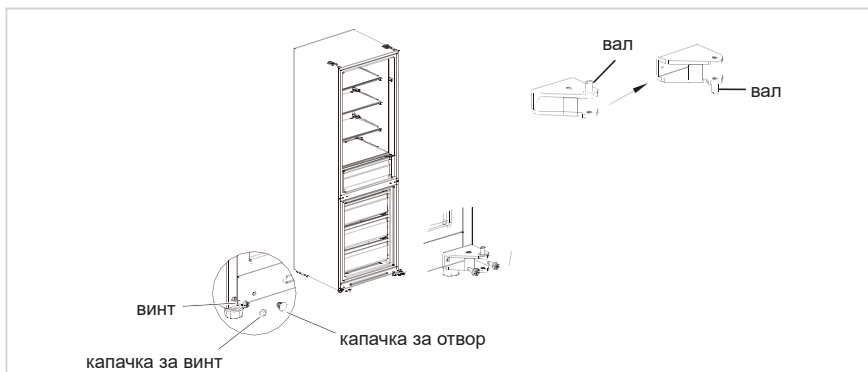
1. Изключете хладилника и извадете всички предмети от тавите на вратата.
2. Разглобете капака на горната панта, отделете комуникационните жици, горната панта и капачката за отвора от другата страна и свалете вратата на хладилника.



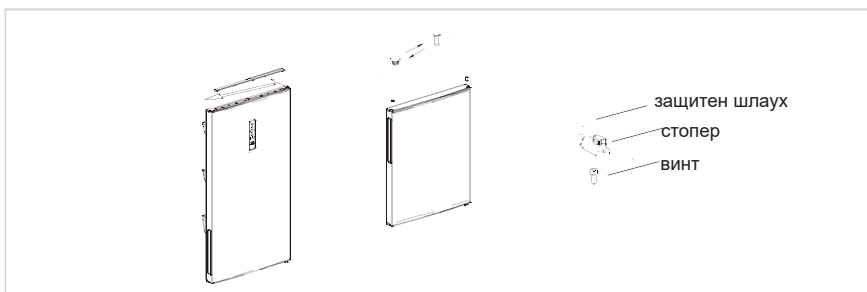
3. Разглобете средната панта, винтовете, капачките за отворите на винтовете и свалете вратата на фризера.



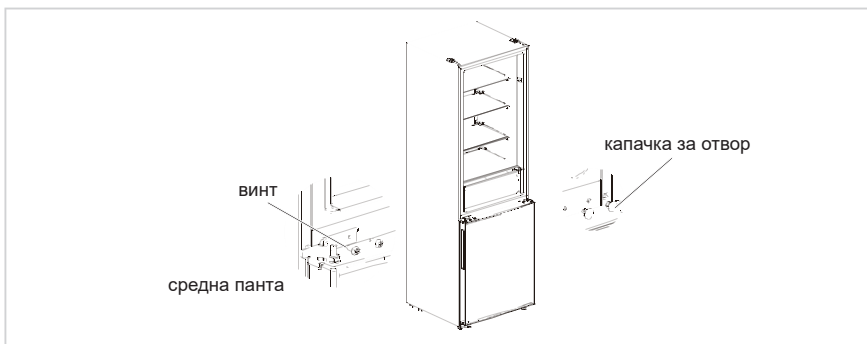
4. Разглобете долната панта, капачките на отворите и винтовете, монтирайте вала на долната панта от другата страна на долната панта и след това монтирайте пантата от срещуположната страна.



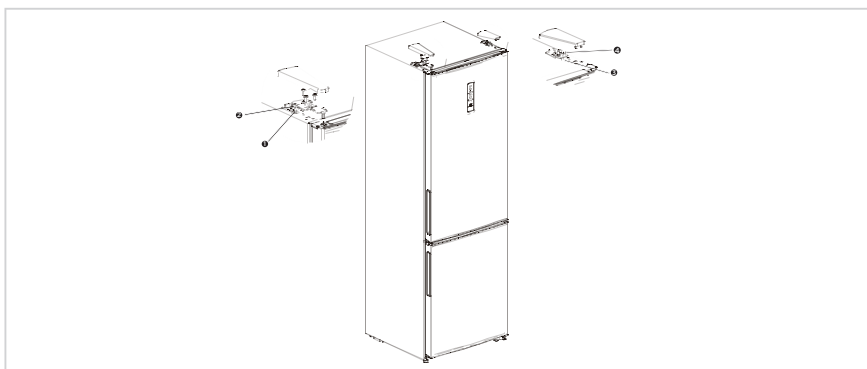
5. Разглобете винтовете, защитния шланг и стопера от долния покривен елемент на корпусите на двете врати и ги поставете последователно от срещуположния край на корпусите на вратите (стоперът трябва да се замени с такъв, който е предоставен в допълнителната торбичка). След това свалете покривния елемент от горната страна на вратата на хладилното отделение и разменете кабелната шина с защитен шланг към другата страна на корпуса на вратата. Накрая поставете защитния шланг на горната панта на вратата на хладилното отделение в отвора от другата страна на горния покривен елемент на вратата на хладилното отделение.



6. Поставете вратата на фризера върху долната панта, монтирайте средната панта, винтовете и капачките за отвори на винтовете.



7. Поставете корпуса на вратата за хладилното отделение върху средната панта, след това монтирайте горната панта от срещуположната страна на уреда. Накрая свържете терминали 1 и 2 на комуникационните жици от страната на горната панта и терминали 3 и 4 от другата страна и затворете капака на пантата и капачката на отвора.



● ЗАБЕЛЕЖКА

Горното изображение е само за справка. Действителната конфигурация зависи от самия продукт или дистрибутора.

Поставяне

- Преди използване, свалете всички опаковъчни материали, включително долните възглавници, подложките от пяна и лентите вътре в хладилника; свалете защитното фолио от вратите и корпуса на хладилника.
- Пазете от топлина и избягвайте пряка слънчева светлина. Не поставяйте фризера във влажни или мокри помещения, за да избегнете ръждясване или намаляване на изолационните свойства.
- Не пръскайте и не мийте хладилника; не поставяйте хладилника на влажни места, където може да бъде намокрен с вода, за да не повлияете на електрическите изолационни свойства на хладилника.
- Хладилникът трябва да се постави на добре проветриво закрито място; подът трябва да е равен и здрав (завъртете наляво или надясно, за да регулирате колелото за нивелиране, ако е нестабилен).


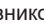
Крачета за нивелиране

За да се избегне образуването на вибрации, този уред трябва да бъде нивелиран.

Ако е необходимо, регулирайте нивелиращите винтове, за да компенсирате неравности в пода.

Предната част трябва да е разположена малко по-високо от задната, за да спомогне при затварянето на вратата.

Нивелиращите винтове могат да се навиват лесно, като уредът леко се наклони.

Навийте нивелиращите винтове по посока, обратна на часовниковата стрелка,  за да повдигнете уреда, и по посока на часовниковата стрелка,  за да го спуснете.

Преместване на уреда

1. Извадете всичката храна от уреда.
2. Извадете щепсела от контакта, поставете го в куката за щепсел от задната или от горната страна на уреда и го закрепете в нея.
3. Залепете с тиксо подвижните части, например рафтове и дръжката на вратата, за да предотвратите тяхното изпадане по време на местенето на уреда.
4. Преместете уреда внимателно с повече от двама души. При транспортиране на уреда на голямо разстояние го дръжте в изправено положение.
5. След като монтирате уреда, свържете щепсела в контакта, за да включите уреда.

ЗАБЕЛЕЖКА

Предпазни мерки преди работа:

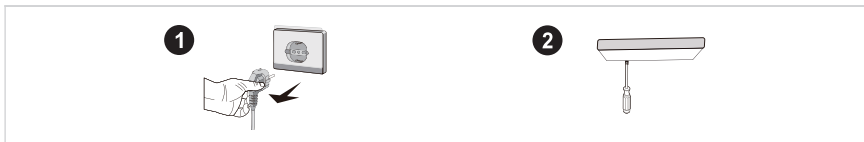
Преди да извършите промени, хладилникът трябва да е изключен от щепсела. Трябва да се вземат предпазни мерки против нараняване.

Смяна на лампата

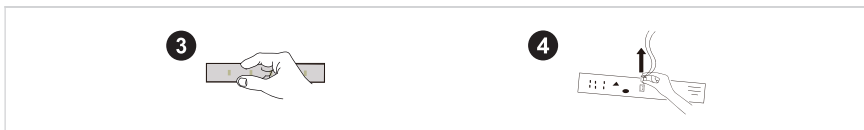
- Каквато и да е смяна или поддръжка на LED лампите е предвидена да се извършва от производителя, негов сервизен представител или лице с подобна квалификация. Този продукт съдържа източник на светлина с клас на енергийна ефективност <F>.

Стъпка

1. Извадете щепсела преди отстраняване.
2. Отстранете плафона с отвертка



3. Свалете панела на лампата.
4. Отстранете терминала за свързване.



Свързване на уреда

Преди първоначалното включване, оставете хладилника неподвижен за половин час преди да го свържете към електрозахранването.

ЗАБЕЛЕЖКА

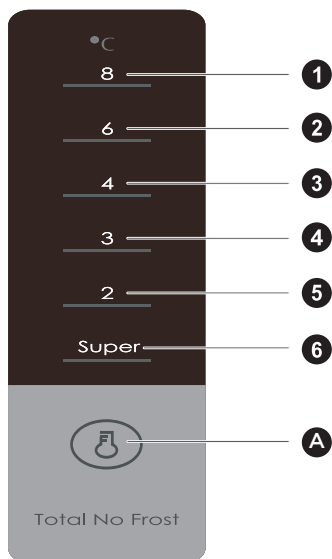
Хладилникът трябва да е работил 2-3 часа преди да поставите в него пресни или замразени храни, или над 4 часа през лятото, когато околната температура е висока.

Съвети за спестяване на енергия

- Уредът трябва да бъде поставен на най-хладното място в помещението, далече от уреди, излъчващи топлина или отоплителни тръби и не под пряка слънчева светлина.
- Оставете горещите храни да се охладят до стайна температура преди да ги сложите в уреда. Претоварването на уреда кара компресора да работи по-дълго. Храните, които замръзват бавно, може да изгубят качествата си или да се развалят.
- Опаковайте храните правилно и подсушавайте контейнерите преди да поставите продукти в тях. Това намалява образуването на скреж в уреда.
- Кошът за съхранение на уреда не трябва да се покрива с алуминиево фолио, хартия за печене или домакинска хартия. Покритията пречат на циркулирането на въздуха, което намалява ефикасността на уреда.
- Подредете храната и поставете етикети, за да намалите отварянето на вратата и продължителното търсене. Извадете възможно най-много от нужните неща едновременно и затворете веднага вратата.

ИНСТРУКЦИИ ЗА РАБОТА

Контролен панел



ЗАБЕЛЕЖКА

Горното изображение е само за справка. Действителната конфигурация зависи от самия продукт или дистрибутора.

Ключ

A Бутон за настройване на температурата

Екран на дисплея

1	настройка на температурата 1
2	настройка на температурата 2
3	настройка на температурата 3
4	настройка на температурата 4
5	настройка на температурата 5
6	настройка на температурата 6

Дисплей

При включване на хладилника, екранът (включително светлината на ключа) ще светне напълно за 3 секунди, след което хладилникът ще работи с настройка на температурата 3.

Екран при нормална работа

В случай на неизправност, комбинация от LED светлини ще покаже съответния код за грешка (в сменящ се дисплей).

Ако няма неизправност, LED светлината ще показва настоящата настройка на температурата.

ЗАБЕЛЕЖКА

Реалният вид на контролния панел може да е различен, в зависимост от модела.

Инструкции за работа

Настройка на режима

- Настройката на температурата ще се променя по веднъж с всяко натискане на бутона SET. След това хладилникът ще работи с новата настройка след 15 секунди.

Настройка 1 → Настройка 2 → Настройка 3 → Настройка 4 → Настройка 5 →
Настройка 6 → Настройка 1 →

Режим на бързо охлаждане:

- Въвеждане: Регулиране на циркулацията за режим на бързо охлаждане.
- Работа: Индикаторът за бързо охлаждане светва и хладилникът работи на 2°C.
- Режимът на бързо охлаждане се изключва автоматично след 24 часа.
- Функцията за бързо охлаждане може да се използва като функция за бързо замразяване.

Регулиране на копчето за ръчно намаляване на въздуха

- Плъзнете нагоре плъзгача за намаляване на въздуха и реалната температура във фризера ще спадне. Плъзнете плъзгача за намаляване на въздуха надолу за повишаване на реалната температура в отделението на фризера.

ТЕМП. НА ФРИЗЕРА

НАЙ-СТУДЕНА

|

ПО-СТУДЕНА

|

СТУДЕНА



Код на грешка

- Следните предупредителни сигнали, които се появяват на дисплея, показват съответните неизправности на хладилника. Макар при следните грешки хладилникът все още да поддържа функцията за охлаждане и замразяване, потребителят трябва да се свърже със сервиз за поддръжка, за да осигури нормалната работа на хладилника.

Код на грешката	Описание на повредата
LED 1 и LED 2 светят	Верига на датчика за температура на хладилника
LED 1 и LED 3 светят	Датчик за размразяване на фризера
LED 1 и LED 4 светят	Датчик за околната температура

ЗАБЕЛЕЖКА

Бележка: Функцията за бързо замразяване е предназначена да поддържа хранителната стойност на храната във фризера. С нея замразявате храна изключително бързо. Ако замразявате голямо количество храна наведнъж, се препоръчва потребителят да включи функцията за бързо замразяване и да постави храната. По това време скоростта на замразяване на отделението на фризера се увеличава, благодарение на което храната замръзва бързо, ефективно се съхранява хранителната ѝ стойност и се улеснява нейното съхранение.

Хладилна камера

- Хладилната камера е подходяща за съхранение на различни плодове, зеленчуци, напитки и други храни за бърза консумация, като препоръчително е време за съхранение е между 3 до 5 дни.
- Готвените храни не трябва да се слагат в хладилната камера преди да се охладят до стайна температура.
- Препоръчително е преди да се поставят в хладилника, храните да се запечатат.
- Стъклените рафтове могат да се регулират нагоре или надолу, за да се осигури достатъчно място за съхранение и лесна употреба.

Камера за замразяване

- Камерата за замразяване с ниска температура може да запази храната свежа дълго време и се използва основно за замразени храни и за направата на лед.
- Камерата за замразяване е подходяща за съхранение на месо, риба, оризови кюфтета и други храни, които не са за бърза консумация.
- Големите парчета месо е добре да се разделят на по-малки заради бързото замразяване и улеснения достъп. Моля, имайте предвид, че храната трябва да се консумира в рамките на срока на годност.

ЗАБЕЛЕЖКА

Бележка: Съхраняването на твърде много храна по време на работа на уреда след първоначалното свързване към захранването може да се отрази на резултата при замразяване на хладилника.

Ред	ТИП на отделенията	Целева темп. на съхранение [°C]	Подходящи храни
1	Хладилник	+2 ~ +8	Яйца, готвена храна, пакетирана храна, плодове и зеленчуци, млечни продукти, торти, напитки и други храни, които не са подходящи за замразяване.
2	(***)*-Фризер	≤-18	Морска храна (риба, скариди, миди), сладководни продукти и месо (препоръчително за 3 месеца, като при по-дълго съхранение се влошават вкусовите и хранителните качества), подходящо за замразена прясна храна.
3	***-Фризер	≤-18	Морска храна (риба, скариди, миди), сладководни продукти и месо (препоръчително за 3 месеца, като при по-дълго съхранение се влошават вкусовите и хранителните качества), подходящо за замразена прясна храна.
4	** -Фризер	≤-12	Морска храна (риба, скариди, миди), сладководни продукти и месо (препоръчително за 3 месеца, като при по-дълго съхранение се влошават вкусовите и хранителните качества), подходящо за замразена прясна храна.
5	*-Фризер	≤-6	Морска храна (риба, скариди, миди), сладководни продукти и месо (препоръчително за 3 месеца, като при по-дълго съхранение се влошават вкусовите и хранителните качества), подходящо за замразена прясна храна.
6	0 звезди	-6 ~ 0	Прясно свинско, телешко, пилешко месо, риба, някои пакетирани обработени храни и др. (Препоръчва се да се консумират в същия ден, за предпочитане след не повече от 3 дни). Частично запечатани обработени храни (неподлежащи на замразяване храни).
7	Охлаждане	-2 ~ +3	Прясно или замразено свинско, телешко, пилешко месо, сладководни продукти и др. (7 дни под 0°C, а над 0°C се препоръчва при консумация в същия ден и за предпочитане след не повече от 2 дни). Морски храни (под 0°C за 15 дни, не се препоръчва съхранение над 0°C).
8	Прясна храна	0 ~ +4	Прясно свинско, телешко, пилешко месо, риба, готвени храни и др. (Препоръчва се да се консумират в същия ден, за предпочитане след не повече от 3 дни)
9	Вино	+5 ~ +20	Червено вино, бяло вино, пенливо вино и др.

ЗАБЕЛЕЖКА

Моля, съхранявайте различните храни в зависимост от отделенията или целевата температура на съхранение на своите покупки.

ПОЧИСТВАНЕ И ПОДДРЪЖКА

Цялостно почистване

- Прахът зад хладилника и по пода трябва да се почиства своевременно, за да се подобри охладителният ефект и да се спести енергия.
- Проверявайте редовно уплътнението на вратата, за да се уверите, че няма боклуци. Почиствайте уплътнението на вратата с мека кърпа, напоена в сапунена вода или разтворен препарат за миене.
- Вътрешността на хладилника трябва да се почиства редовно, за да се избегнат миризми.
- Изключете захранването преди да почистите вътрешността, извадете всички храни, напитки, рафтове, чекмеджета и пр.
- За да почистите вътрешността на хладилника, използвайте мека кърпа или гъба и две супени лъжици сода за хляб и литър топла вода. След това изплакнете с вода и избършете. След почистването отворете вратата и оставете да изсъхне по естествен начин преди да включите захранването.
- За места в хладилника, които са трудни за почистване, като тесни сандвичи, пролуки или ъгли, се препоръчва да ги забърсвате редовно с мека кърпа, мека четка и други, когато се налага, заедно с някои помощни средства, като тънки клечки например, за да се гарантира, че в тези места няма натрупване на замърсители или бактерии.
- Не използвайте сапун, миещ препарат, абразивна пудра, почистващ спрей и подобни, тъй като могат да причинят миризми във вътрешността на хладилника или замърсяване на храната.
- Почиствайте рамката за бутилки, рафтовете и чекмеджетата с мека кърпа, напоена в сапунена вода или разтворен препарат за миене. Подсушете с мека кърпа или оставете да изсъхне естествено.
- Забършете външната повърхност на хладилника с мека кърпа, напоена със сапунена вода, миещ препарат и пр. и подсушете.
- Не използвайте твърди четки, стоманени телчета, метални четки, абразиви, като паста за зъби, органични разтворители, като алкохол, ацетон, бананово масло и пр., вряла вода, киселина или алкални предмети, които могат да увредят външната повърхност и вътрешността на хладилника. Врялата вода и органичните разтворители, като бензен, могат да деформират или увредят пластмасовите части.
- Не изплаквайте директно с вода или други течности при почистването, за да избегнете късо съединение или увреждане на електрическата изолация след намокрянето.

ЗАБЕЛЕЖКА

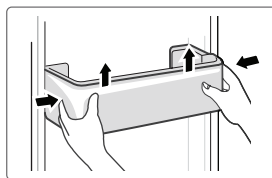
Моля, изключете хладилника от мрежата при размразяване и почистване.

Размразяване

- Хладилникът е проектиран на принципа на въздушното охлаждане и затова има функция за автоматично размразяване. Скрежът, образуван заради смяната на сезона или промяна в температурата, може да бъде отстранен също и ръчно, като изключите уреда от захранването или като забършете със суха кърпа.

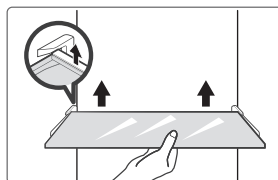
Почистване на тавата на вратата

- Според посоката на стрелката на фигурата по-долу, стиснете с две ръце тавата и я натиснете нагоре, за да я извадите.
- След измиване на извадената тава, можете да регулирате височината на поставяне според нуждите си.



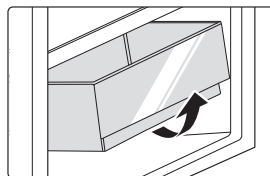
Почистване на стъкления рафт

- Тъй като на най-вътрешната част на облицовката на хладилника, където се опират рафтовете, има заден ограничител, трябва да повдигнете рафтовете нагоре, за да можете да ги извадите.
- Регулирайте и почиствайте рафтовете според вашите изисквания.



Почистване на чекмеджето за зеленчуци

1. Извадете съдържанието на чекмеджето. Хванете дръжката на чекмеджето за зеленчуци и го издърпайте напред докрай, докато не спре.
2. Повдигнете чекмеджето за зеленчуци и го извадете, като го издърпате навън.



Не работи

Спиране на тока:

При спиране на тока, дори лятото, храните в уреда могат да се запазят за няколко часа. При спиране на тока отварянето на вратата трябва да се намали и в уреда не трябва повече да се слага прясна храна.

Ако няма да се използва дълго време:

Уредът трябва да се изключи от контакта и да се почисти, а след това вратите да се оставят отворени, за да се избегнат миризми.

Преместване:

Преди преместването на хладилника, извадете всички неща отвътре, закрепете стъклените прегради, подставката за зеленчуци, чекмеджетата на камерата за замразяване и т.н. с лепяща лента, затегнете нивелиращото краче, затворете вратите и ги закрепете с лентата. При преместването уредът не трябва да се поставя обърнат наопаки или хоризонтално и не трябва да бъде клатен. Наклонът по време на преместването не трябва да е повече от 45°.

ЗАБЕЛЕЖКА

Уредът трябва да работи непрекъснато, след като веднъж е включен. Обикновено работата на уреда не трябва да се прекъсва, в противен случай експлоатационният му живот може да бъде намален.

ОТСТРАНЯВАНЕ НА ПРОБЛЕМИ

Следните прости проблеми могат да се разрешат от потребителя. Обадете се на сервизния отдел, ако проблемите не бъдат отстранени.

Проблем	Възможна причина
Неуспешна работа	• Проверете дали уредът е свързан към захранването или щепселът е добре вкаран в контакта
	• Проверете дали напрежението е твърде ниско.
	• Проверете дали има прекъсване на тока или изключени частични вериги
Миризма	• Ароматните храни трябва да бъдат опаковани плътно
	• Проверете дали няма развалена храна
	• Почистете вътрешността на хладилника
Продължителна работа на компресора	• Продължителната работа на хладилника е нормална през лятото, когато околната температура е висока
	• Не е препоръчително да държите твърде много храна в уреда едновременно
	• Храната трябва да се охлади преди да се сложи в уреда
Лампите не светват	• Проверете дали хладилникът е свързан към електрозахранването и дали лампата не е повредена
	• Лампата трябва да се смени от специалист.
	• Проверете дали лампата е в правилно положение
Вратата не може да се затвори правилно	• Пакети с храна пречат на вратата да се затвори плътно
	• Хладилникът е наклонен.
Силен шум	• Проверете дали подът е равен и дали хладилникът е поставен правилно
	• Проверете дали аксесоарите са поставени на правилните места

Проблем	Възможна причина
Уплътнението на вратата не е здраво	<ul style="list-style-type: none"> • Почистете уплътнението на вратата • Нагрейте уплътнението на вратата, а после го охладете, за да се възстанови (или го продухайте с електрически сешоар или използвайте гореща кърпа за загряване)
Съдът за вода прелива	<ul style="list-style-type: none"> • Има твърде много храна в камерата или съхраняваната храна съдържа твърде много вода, което води до често размразяване • Вратите не са затворени правилно, което води до заскрежаване заради влизането на въздух и повече вода заради размразяването
Горещ корпус	<ul style="list-style-type: none"> • Разсейването на топлината от вградения кондензатор посредством корпуса е нормално. Когато корпусът се нагрее поради по-висока околна температура, съхранение на твърде много храна или спиране на компресора, осигурете обилно проветрение, за да улесните разсейването на топлината.
Кондензация по повърхността	<ul style="list-style-type: none"> • Кондензацията по външната повърхност и уплътненията на вратите на хладилника е нещо нормално, когато влажността на околната среда е твърде висока. Просто избършете кондензата с чиста кърпа.
Необичаен шум	<ul style="list-style-type: none"> • Бръмчене: Компресорът може да бръмчи по време на работа, а бръмченето е силно особено при включване и спиране. Това е нормално. • Скърцане: Хладилният агент, който тече вътре в уреда, може да предизвика скърцане, което е нормално.

ДОПЪЛНЕНИЕ

Специално за новия европейски стандарт

Описаните в долната таблица резервни части могат да се получат по реда, определен от доставчика на услуги.

Поръчана част	Предоставена от	Минимално време, необходимо за предоставяне
Термостати	Професионален обслужващ персонал	Поне 7 години след пускането на пазара на последния модел
Температурни датчици	Професионален обслужващ персонал	Поне 7 години след пускането на пазара на последния модел
Печатни електронни платки	Професионален обслужващ персонал	Поне 7 години след пускането на пазара на последния модел
Източник на светлина	Професионален обслужващ персонал	Поне 7 години след пускането на пазара на последния модел
Дръжки за врата	Професионални сервизни техници и крайни потребители	Поне 7 години след пускането на пазара на последния модел
Панти за вратите	Професионални сервизни техници и крайни потребители	Поне 7 години след пускането на пазара на последния модел
Тави	Професионални сервизни техници и крайни потребители	Поне 7 години след пускането на пазара на последния модел
Кошници	Професионални сервизни техници и крайни потребители	Поне 7 години след пускането на пазара на последния модел
Уплътнения на вратите	Професионални сервизни техници и крайни потребители	Поне 10 години след пускането на пазара на последния модел

Уважаеми клиенти,

1. Ако искате да върнете или замените продукта, моля, свържете се с магазина, от който сте го купили.

(Не забравяйте да донесете фактурата за покупката)

2. Ако вашият продукт се повреди и трябва да се поправи, моля, свържете се с представителя, предлагащ следпродажбено обслужване.

● ЗАБЕЛЕЖКА

Информацията за модела в продуктовата база данни, както и идентификаторът на модела, могат да бъдат получени на уеб връзката, сканирана чрез QR кода (ако е наличен) на етикета за енергийна ефективност на продукта.

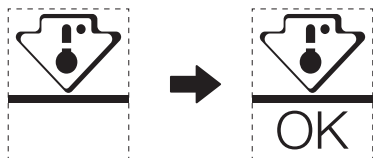
За повече информация относно енергийната ефективност на уреда, посетете <https://ec.europa.eu> и потърсете името на модела.

Името на модела се намира на табелката с характеристики на уреда.

Най-студена зона на хладилника

ОПЦИОНАЛНО: Индикатор за добра температура

- Индикаторът за добра температура може да се използва за определяне на температури под +4°C. Постепенно намалете температурата, ако знакът не показва „OK“.



- За да осигурите правилната температура в тази зона, не променяйте разположението на този рафт. При хладилниците с принудителен въздух (моделите, снабдени с вентилатор или обезскрежаване) няма символ за най-студена зона, тъй като температурата в тях е равномерно разпределена.

Настройка на температурния индикатор

- С цел по-добра настройка на вашия хладилник, той е снабден с температурен индикатор, който следи средната температура в най-студената зона.
- ПРЕДУПРЕЖДЕНИЕ:** Този индикатор е предназначен да работи единствено с вашия хладилник. Не го използвайте за друг хладилник (където най-студената зона е различна) или по какъвто и да е друг начин.

Проверка на температурата в най-студената зона

- С помощта на температурния индикатор можете редовно да проверявате дали температурата в най-студената зона е правилна. Температурата във вътрешността на хладилника в действителност зависи от няколко фактора, сред които са околната температура в помещението, количеството съхранявана храна и честотата на отваряне на вратата. Вземете предвид тези фактори, когато настройвате уреда.
- Когато индикаторът показва „OK“, това означава, че термостатът е настроен подходящо и вътрешната температура е правилна.
- Ако цветът на температурния индикатор стане БЯЛ, това означава, че температурата е твърде висока. В такъв случай увеличете настройката за температурата на хладилника и изчакайте 12 часа, преди да проверите индикатора отново. Възможно е индикаторът да стане БЯЛ известно време след добавяне на нова храна или след като вратата била оставена отворена.

PADĖKOS LAIŠKAS

Dėkojame, kad pasirinkote „Midea“! Prieš naudodamiesi naujuoju „Midea“ gaminiu, atidžiai perskaitykite šį vadovą ir įsitinkite, kad žinote, kaip saugiai naudotis naujojo prietaiso savybėmis ir funkcijomis.

TURINYS

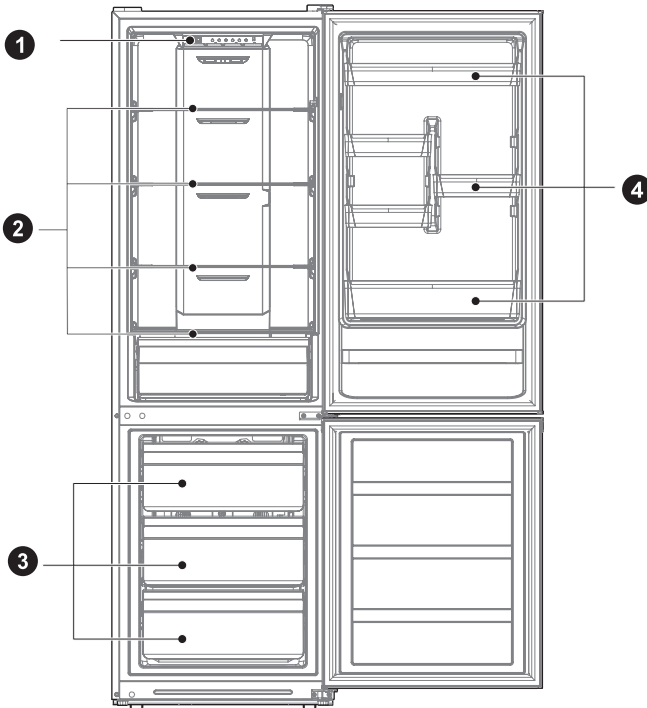
PADĖKOS LAIŠKAS	01
SPECIFIKACIJOS	02
GAMINIO APŽVALGA	03
GAMINIO MONTAVIMAS	04
NAUDOJIMO INSTRUKCIJOS	11
VALYMAS IR PRIEŽIŪRA	15
TRIKČIŲ ŠALINIMAS	17
PRIEDAS	19

SPECIFIKACIJOS

Produkto modelis	MDRB424FGE
Šviežių maisto produktų laikymo skyriaus talpa	224L
Šaldytų maisto produktų laikymo skyriaus talpa	86L
Atšildymo tipas	Automatinis atšildymas
Temperatūros didėjimo laikas	8 val.
Šaldymo geba	3,9 kg / 24 val.
Vardinė įtampa / dažnis	220-240V~/50Hz
Vardinė srovė	0,8 A
Bendrieji matmenys (A x P x G)	1880 x 595 x 630 mm

GAMINIO APŽVALGA

Sudedamųjų dalių pavadinimai



1 LED apšvietimas

2 Lentyna

3 Stalčius

4 Durelių dėklas

● DĖMESIO

Pirmiau pateiktas paveikslėlis yra tik informacinis. Faktinė konfigūracija priklausys nuo konkretaus gaminio arba jo pardavimo atstovo pareiškimo

LT

GAMINIO MONTAVIMAS

Montavimo instrukcijos

Šaldymo prietaisams su klimato klase

- Priklausomai nuo klimato klasės, šis šaldymo prietaisas skirtas naudoti aplinkos temperatūrų diapazone, nurodytame šioje lentelėje.
- Klimato klasė nurodyta produkto duomenų lentelėje. Gaminys gali tinkamai neveikti, jei temperatūra yra už nurodyto diapazono ribų.
- Klimato klasė nurodyta gaminio etiketėje.

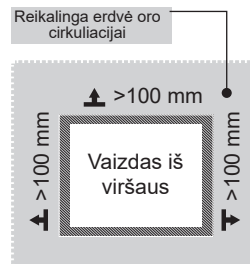
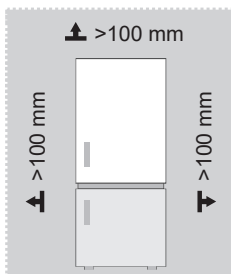
Efektyvus temperatūros diapazonas

- Gaminys suprojektuotas taip, kad normaliai veiktų temperatūros diapazone, kurį nurodo jo klasės reitingas.

Klasė	Simbolis	Aplinkos temperatūros diapazonas, °C	
		IEC 62552 (ISO 15502)	ISO 8561
Išplėstas vidutinis	SN	Nuo +10 iki +32	Nuo +10 iki +32
Vidutinis	N	Nuo +16 iki +32	Nuo +16 iki +32
Subtropinis	ST	Nuo +16 iki +38	Nuo +18 iki +38
Tropinis	T	Nuo +16 iki +43	Nuo +18 iki +43

Matmenys ir tarpai

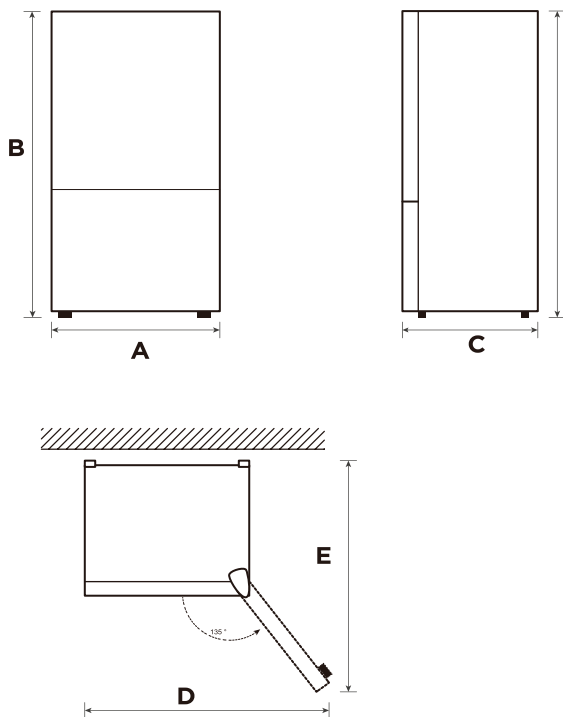
- Dėl per mažo tarpo nuo gretimų objektų gali suprastėti šaldymo geba ir padidėti elektros energijos sąnaudos. Montuodami prietaisą, palikite didesnį nei 100 mm tarpą tarp kiekvienos gretimos sienos.



⚠ DĖMESIO

Pirmiau pateiktas paveikslėlis yra tik informacinis. Faktinė konfigūracija priklausys nuo konkretaus gaminio arba jo pardavimo atstovo pareiškimo

Erdvės reikalavimų diagrama (kai durelės atidarytos ir kai durelės uždarytos)



Plotis	Bendras aukštis	Gylis	Plotis atidarius dureles 135°	Gylis atidarius dureles 135°
A	B	C	D	E
595	1880	630	988	1074

Pastaba: Visi matmenys nurodyti milimetrais

LT

Durelių pakeitimas į dešinę ir į kairę (pasirinktinai)

Priklausomai nuo vietos, kurioje planuojate naudoti savo šaldytuvą, jums gali būti patogiau pakeisti durelių padėtį.

ATSARGIAI

ATSARGIAI: Kad nesusižalotumėte savęs ar savo turto, rekomenduojame, kad kas nors jums padėtų durų keitimo proceso metu.

Pasiruošimas pakeisti durų padėtį

Jums reikės: standartinio atsuktuvo, kryžminio atsuktuvo ir pridamo šešiakampio rakto.

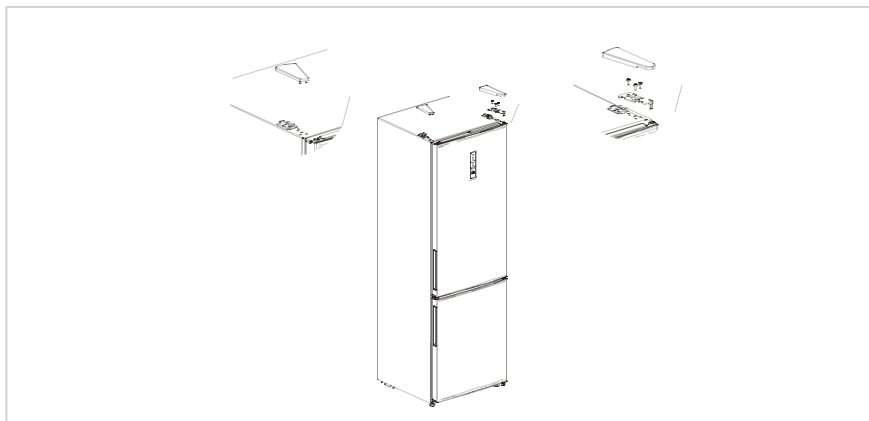
- Įsitikinkite, kad šaldytuvą yra atjungtas ir tuščias.
- Turėkite ką nors, kas padėtų jums atlikti šį procesą.
- Visas nuimamas dalis pasilikite, kad vėliau galėtumėte jas naudoti pakartotinai.

Įrankiai, reikalingi durelėms pakeisti:



Veiksmas

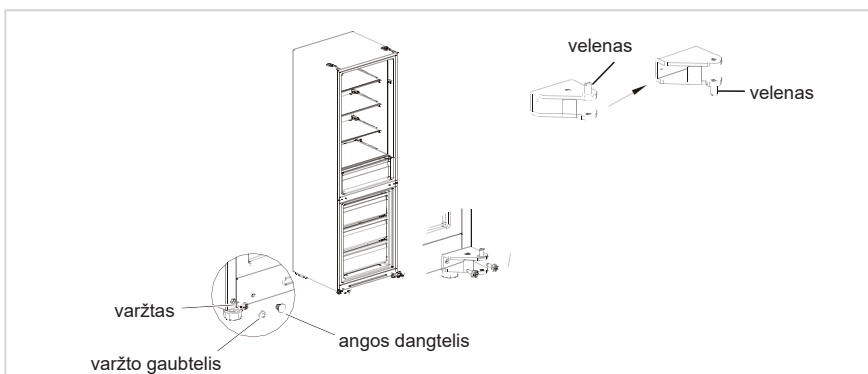
1. Išjunkite šaldytuvą ir išimkite visus daiktus iš durelių dėklų.
2. Išmontuokite viršutinio vyro dangtelį, atjunkite signalinius laidus, viršutinį vyrį ir kitos pusės angos dangtelį, išimkite šaldytuvo dureles.



3. Išmontuokite vidurinį vyrį, varžtus, varžtų angų gaubtelius ir nuimkite šaldiklio dureles.

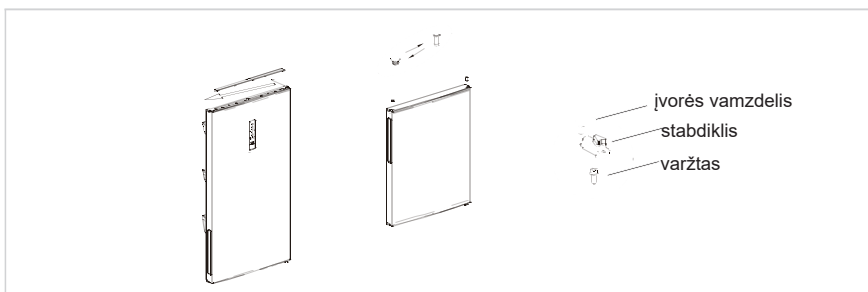


4. Išmontuokite apatinį vyrį, angų dangtelius ir varžtus, įstatykite apatinio vyro veleną kitoje apatinio vyro pusėje, tada sumontuokite vyrį kitoje pusėje.

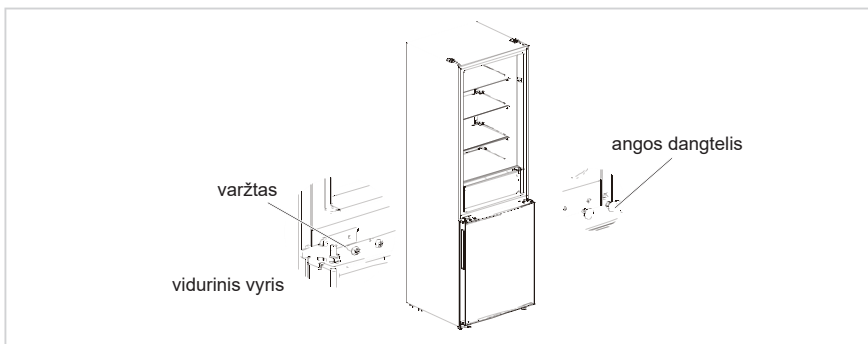


5. Išmontuokite varžtus, įvorės vamzdelį ir stabdiklį apatiniame dviejų durų korpuso dangtelyje ir sumontuokite juos kitoje durų korpuso pusėje (stabdiklį reikia pakeisti iš papildomo maišelio). Tada nuimkite viršutinį aušintuvo durelių dangtelį ir perkeltite laidyną įvorės vamzdziumi į kitą durelių korpuso pusę. Galiausiai sumontuokite viršutinio vyro įvorės vamzdį ant aušintuvo durelių į angą kitoje aušintuvo durelių viršutinio dangčio pusėje.

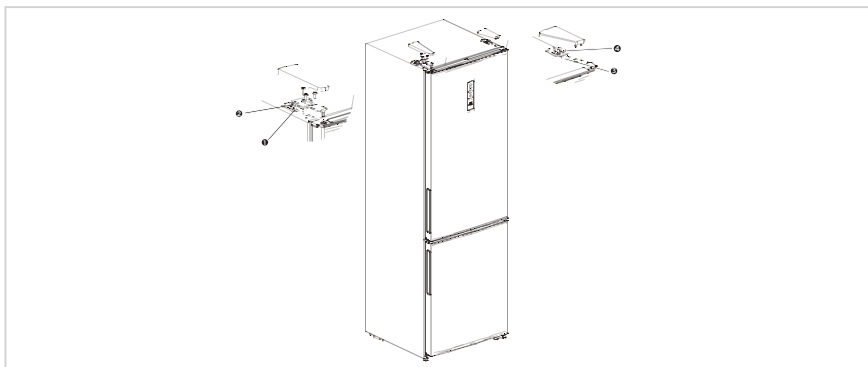
LT



6. Uždėkite šaldiklio dureles ant apatinio vyrio, sumontuokite vidurinę vyrį, varžtus ir varžtų angų dangtelius.



7. Uždėkite šaldytuvo skyriaus durelių korpusą ant vidurinio vyrio, tada sumontuokite viršutinį vyrį kitoje korpuso pusėje, galiausiai prijunkite signalinių laidų gnybtus 1, 2 viršutinio vyrio pusėje ir gnybtus 3, 4 kitoje pusėje bei uždenkite vyrio dangtelį ir angų dangtelį.



● DĖMESIO

Pirmiau pateiktas paveikslėlis yra tik informacinis. Faktinė konfigūracija priklausys nuo konkretaus gaminio arba jo pardavimo atstovo pareiškimo.

Vieta

- Prieš naudojimą išimkite visas pakavimo medžiagas, įskaitant apatines pagalvėles, putplasčio paminkštinius ir juostas šaldytuvo viduje; nuplėškite apsauginę plėvelę ant durų ir šaldytuvo korpuso.
- Laikykite atokiai nuo šilumos šaltinių ir saugokite nuo tiesioginių saulės spindulių. Nedėkite šaldiklio į drėgnas ar vandeningas vietas, kad išvengtumėte rūdžių ir nesumažintumėte izoliacinio poveikio.
- Nepurkškite ir neplaukite šaldytuvo; nestatykite jo drėgnoje vietoje, kurioje šaldytuvai gali būti lengvai aptaškytas vandeniu, kad nepakenktų šaldytuvo elektros izoliacinėms savybėms.
- Šaldytuvai turi būti padedamas gerai vėdinamoje patalpoje; žemė turi būti plokščia ir tvirta (pasukite kairėn ar dešinėn, kad sureguliuotumėte ratuką, jei jis nestabilus).



Išlyginančios kojelės

Siekiant išvengti vibracijos, įrenginį reikia išlyginti.

Jei reikia, sureguliuokite išlyginimo varžtus, kad kompensuotumėte nelygias grindis.

Priekis turi būti šiek tiek aukščiau nei galas, kad būtų lengviau uždaryti dureles.

Išlyginimo varžtus galima lengvai pasukti šiek tiek apverčiant korpusą.

Pasukite išlyginimo varžtus prieš laikrodžio rodyklę , kad pakeltumėte įrenginį, ir pagal laikrodžio rodyklę , kad jį nuleistumėte.

Prietaiso perkėlimas

1. Iš prietaiso vidaus pašalinkite visą maistą.
2. Ištraukite maitinimo laido kištuką, įkiškite ir pritvirtinkite jį prie maitinimo laido kištuko kablo, esančio prietaiso gale arba viršuje.
3. Kad perkeltum prietaisą, jį nenukristų, prijunkite dalis, pvz., lentynas ir durelių rankenas.
4. Prietaisą atsargiai perkelti su daugiau nei dviem žmonėmis. Perkeldami prietaisą didelį atstumą, laikykite jį vertikaliai.
5. Sumontavę prietaisą, prijunkite maitinimo kištuką prie lizdo, kad įjungtumėte prietaisą.

DĖMESIO

Atsargumo priemonės prieš operaciją:

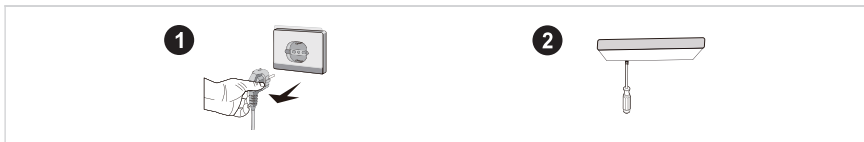
Prieš atliekant pakeitimus, šaldytuvai turi būti atjungtas nuo elektros tinklo. Turi būti imamasi atsargumo priemonių, kad būtų išvengta asmenų sužalojimo.

Lempučių keitimas

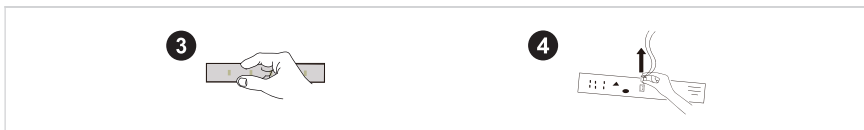
- Bet kokį LED lempučių pakeitimą arba techninę priežiūrą turi atlikti gamintojas, jo techninės priežiūros agentas arba panašus kvalifikuotas asmuo. Šiame gaminyje įrengtas energijos vartojimo efektyvumo klasės <F> šviesos šaltinis.

Veiksmas

1. Prieš išimdami ištraukite kištuką.
2. Atsuktuvu nusukite šviestuvo gaubtą.



3. Nuimkite šviestuvo plokštę.
4. Nuimkite jungties gnybtą.



Prietaiso prijungimas

Prieš pradėdami, prieš prijungdami jį prie maitinimo šaltinio, palaukite pusvalandį.

⚠ DĖMESIO

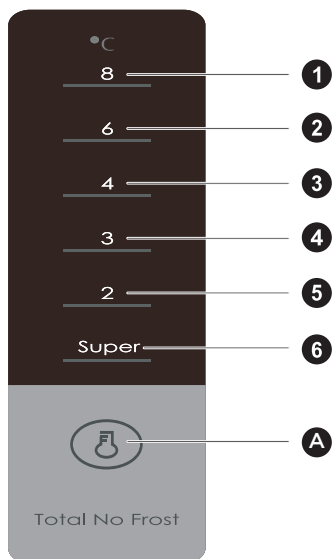
Prieš įdedant bet kokį šviežią ar šaldytą maistą, šaldytuvą turi veikti 2–3 valandas arba ilgiau kaip 4 valandas vasarą, kai aplinkos temperatūra yra aukšta.

Patarimai dėl energijos taupymo

- Prietaisas turėtų būti vėsiausioje kambario vietoje, atokiau nuo šilumą skleidžiančių prietaisų ar šildymo kanalų ir nuo tiesioginių saulės spindulių.
- Prieš padėdami karštus maisto produktus į prietaisą, juos atvėsinkite iki kambario temperatūros. Dėl prietaiso perkrovos kompresorius veikia ilgiau. Maisto produktai, kurie užšąla per lėtai, gali prarasti kokybę arba būti sugadinti.
- Prieš padėdami produktus į prietaisą, juos tinkamai įvyniokite ir nusausinkite tarą. Tai leis sumažinti šalnų susikaupimą prietaiso viduje.
- Prietaiso laikymo dėžė neturėtų būti padengta aliuminio folija, vaškiniais popieriais ar popieriniais rankšluostais. Tokie sluoksniai trukdo šalto oro cirkuliacijai, todėl prietaisas yra mažiau efektyvus.
- Išdėstykite ir sužymėkite maisto produktus taip, kad nereikėtų ilgai jų ieškoti ir laikyti atvirų durelių. Vienu kartu išimkite kuo daugiau maisto produktų ir kuo greičiau uždarykite dureles.

NAUDOJIMO INSTRUKCIJOS

Valdymo skydelis



DĖMESIO

Pirmiau pateiktas paveikslėlis yra tik informacinis. Faktinė konfigūracija priklausys nuo konkretaus gaminio arba jo pardavimo atstovo pareiškimo.

Raktas

A Temperatūros nustatymo mygtukas

Ekranas

1	1 temperatūros nustatymas
2	2 temperatūros nustatymas
3	3 temperatūros nustatymas
4	4 temperatūros nustatymas
5	5 temperatūros nustatymas
6	6 temperatūros nustatymas

LT

Ekranas

Ijungus šaldytuvą, ekranas (įskaitant klavišo lemputę) šviečia 3 sekundes, tada šaldytuvus ima veikti pagal 3 temperatūros nustatymą.

Įprasto veikimo rodinys

Gedimo atveju atitinkama LED lemputė parodys bendrą gedimo kodą (perdirbimo ekrane).

Jei nėra gedimo, LED lemputė rodytų esamą temperatūros nustatymą.

⦿ DĖMESIO

Faktinis valdymo skydelis gali skirtis priklausomai nuo modelio.

Naudojimo instrukcijos

Lygio nustatymas

- Temperatūros nustatymas bus keičiamas vieną kartą kiekvieną kartą, kai paspausite klavišą SET. Tada šaldytuvus po 15 sek. pradeda veikti pagal naujos nuostatos vertę.
1 nustatymas → 2 nustatymas → 3 nustatymas → 4 nustatymas → 5 nustatymas → 6 nustatymas → 1 nustatymas →

Greitojo vėsinimo režimas:

- Įjungimas: Cirkuliacinės moduliacijos sparčiojo vėsinimo režimas.
- Valdymas: Užsidega sparčiojo vėsinimo indikatoriaus lemputė ir šaldytuvus palaiko 2 °C temperatūrą.
- Sparčiojo vėsinimo režimas automatiškai išjungiamas 24 val.
- Sparčiojo vėsinimo režimą galima naudoti kaip intensyvaus šaldymo funkciją.

Rankinės oro sklendės rankenėlės reguliavimas

- Pasukus oro sklendės slankiklį aukštyn faktinė temperatūra šaldiklio skyriuje nukris; pasukus oro sklendės slankiklį žemyn, faktinė temperatūra šaldiklio skyriuje pakils.

Šaldiklio temp.

ŠALČIAUSIA

ŠALTASIS

ŠALTA



Klaidos kodas

- Toliau pateikti įspėjimai ekrane nurodo atitinkamus šaldytuvo gedimus. Nors esant šioms triktims šaldytuve vis tiek gali veikti vėsinimo ir šaldymo funkcija, naudotojas turi susisiekti su techninės priežiūros specialistu, siekiant užtikrinti optimalų šaldytuvo veikimą.

Gedimo kodas	Trikčių aprašymas
Šviečia LED 1 ir LED 2	Šaldytuvo temperatūros jutiklio grandinė
Šviečia LED 1 ir LED 3	Šaldiklio atšildymo jutiklis
Šviečia LED 1 ir LED 4	Aplinkos temperatūros jutiklis

DĖMESIO

Pastaba. Sparčiojo šaldymo funkcija skirta išsaugoti šaldiklyje esančių maisto produktų maistinę vertę. Jos dėka maisto produktai užšąla per trumpiausią laiką. Jei vienu metu užšaldomas didelis maisto produktų kiekis, rekomenduojama įjungti greitojo šaldymo funkciją ir įdėti maistą. Tuo momentu skyriaus šaldymo greitis padidėja, todėl maistas greitai užšąla, efektyviai užrakina maistines medžiagas ir supaprastina produktų laikymą.

Šaldytuvo kamera

- Šaldytuvo kameroje tinka laikyti įvairius vaisius, daržoves, gėrimus ir kitus maisto produktus, sunaudojamus per trumpą laiką: rekomenduojamas laikymo laikas yra 3–5 dienos.
- Prieš įdedant ruošiamą maistą į šaldytuvo kamerą, jį būtina atvėsinti iki kambario temperatūros.
- Prieš dedant į šaldytuvą, maistą rekomenduojama sandariai uždaryti.
- Stiklo lentynos gali būti pakeltos aukštyr arba žemyn, kad būtų pakankamai vietos ir patogumų naudojimas.

Šaldymo kamera

- Žemos temperatūros šaldymo kameroje galima ilgai išlaikyti maistą šviežią; ji daugiausia naudojama šaldytiems maisto produktams laikyti ir ledui gaminti.
- Šaldymo kameroje tinka laikyti mėsą, žuvį, ryžių kukulius ir kitus maisto produktus, kurie artimiausiu metu nebus vartojami.
- Mėsos gabalus pageidautina suskirstyti į mažus gabalėlius, kad būtų galima greitai užšaldyti ir lengvai pasiekti. Maistas turi būti suvartotas per jo galiojimo laikotarpį.

DĖMESIO

Pastaba. Laikant per daug maisto veikimo metu po pradinio prijungimo prie maitinimo šaltinio, gali būti neigiamai paveiktas šaldytuvo šaldymo efektas.

Tvarka	Skyrių TIPAS	Tikslinė saugojimo temperatūra [°C]	Tinkamas maistas
1	Šaldytuvai	+2 ~ +8	Kiaušiniai, virtas maistas, supakuotas maistas, vaisiai ir daržovės, pieno produktai, pyragaičiai, gėrimai ir kiti maisto produktai netinka šaldyti.
2	(***)*-Šaldiklis	≤-18	Jūros gėrybės (žuvis, krevetės, vėžiagyviai), gėlavandeniai produktai ir mėsos produktai (rekomenduojama 3 mėn., kuo ilgesnis laikymo laikas, tuo blogesnis skonis ir maistingumas), tinkami šaldytam šviežiam maistui.
3	***-Šaldiklis	≤-18	Jūros gėrybės (žuvis, krevetės, vėžiagyviai), gėlavandeniai produktai ir mėsos produktai (rekomenduojama 3 mėn., kuo ilgesnis laikymo laikas, tuo blogesnis skonis ir maistingumas), tinkami šaldytam šviežiam maistui.
4	**-Šaldiklis	≤-12	Jūros gėrybės (žuvis, krevetės, vėžiagyviai), gėlavandeniai produktai ir mėsos produktai (rekomenduojama 3 mėn., kuo ilgesnis laikymo laikas, tuo blogesnis skonis ir maistingumas), tinkami šaldytam šviežiam maistui.
5	*-Šaldiklis	≤-6	Jūros gėrybės (žuvis, krevetės, vėžiagyviai), gėlavandeniai produktai ir mėsos produktai (rekomenduojama 3 mėn., kuo ilgesnis laikymo laikas, tuo blogesnis skonis ir maistingumas), tinkami šaldytam šviežiam maistui.
6	0 žvaigždučių	-6 ~ 0	Šviežia kiauliena, jautiena, žuvis, vištiena, kai kurie supakuoti perdirbti maisto produktai ir t. t. (Rekomenduojama valgyti tą pačią dieną, pageidautina ne ilgiau kaip 3 dienas). Iš dalies kapsuliniai perdirbti maisto produktai (nešaldomi maisto produktai).
7	Vėsinimas	-2 ~ +3	Šviežia/ užšaldyta kiauliena, jautiena, vištiena, gėlavandeniai produktai ir t. t. (7 dienas iki 0 °C ir daugiau nei 0 °C rekomenduojama vartoti tą dieną, pageidautina ne ilgiau kaip 2 dienas). Jūros gėrybės (mažiau kaip 0 per 15 dienų, nerekomenduojama laikyti aukštesnėje kaip 0 °C temperatūroje).
8	Šviežias maistas	0 ~ +4	Šviežia kiauliena, jautiena, žuvis, vištiena, virti maisto produktai ir t. t. (Rekomenduojama valgyti tą pačią dieną, pageidautina ne ilgiau kaip 3 dienas)
9	Vynas	+5 ~ +20	Raudonasis vynas, baltasis vynas, putojantis vynas ir t. t.

DĖMESIO

Laikykite skirtingus maisto produktus pagal jūsų įsigyto produkto skyrius arba tikslinę laikymo temperatūrą.

VALYMAS IR PRIEŽIŪRA

Bendras valymas

- Už šaldytuvo ir ant žemės esančios dulakės turi būti laiku išvalomos, siekiant pagerinti aušinimo efektą ir energijos taupymą.
- Reguliariai tikrinkite durų tarpiklį, kad įsitikintumėte, jog nėra pašalinių medžiagų. Valykite durelių tarpiklį minkšta šluoste, sudrėkinta muiluotu vandeniu arba praskiestu plovikliu.
- Šaldytuvo vidų reikia reguliariai valyti, kad būtų išvengta nemalonaus kvapo.
- Prieš valydami vidų, išjunkite maitinimą, išimkite visus maisto produktus, gėrimus, lentynėles, stalčius, ir t.
- Šaldytuvo vidui valyti naudokite minkštą šluostę ar kempinę su dviem šaukštais valgomosios sodos ir kvorta šilto vandens. Tada nuplaukite vandeniu ir nuvalykite. Nuvalę, atidarykite dureles ir prieš įjungdami maitinimą leiskite natūraliai išdžiūti.
- Vietas, kurias šaldytuve sunku nuvalyti (pvz., siaurus tarpus ar kampus), rekomenduojama reguliariai nuvalyti minkštu skuduru, minkštu šepetėliu ir kt. ir, jei reikia, naudojant pagalbinius įrankius (pvz., plonas lazdeles), siekiant užtikrinti, kad šiose vietose nebūtų teršalų ar ir nesikauptų bakterijos.
- Nenaudokite muilo, ploviklio, šveitimo miltelių, purškimo valytuvo ir kt., nes tai šaldytuvo viduje gali sukelti nemalonių kvapų arba sugesti maistas.
- Valykite butelių rėmą, lentynėles ir stalčius minkštu skudurėliu, sudrėkintu muiluotu vandeniu arba praskiestu plovikliu. Išdžiovinkite minkštu skudurėliu arba leiskite natūraliai išdžiūti.
- Nuvalykite išorinį šaldytuvo paviršių minkštu skudurėliu, sudrėkintu muiluotu vandeniu, plovikliu ir kt., tada nusausinkite.
- Nenaudokite kietų šepetėlių, plieninių rutuliukų, vielinių šepetėlių, abrazyvinių medžiagų (pvz., dantų pastos), organinių tirpiklių (pvz., alkoholio, acetono, bananų aliejaus ir kt.), verdančio vandens, rūgštinių ar šarminių elementų, kurie gali pažeisti šaldytuvo paviršių ir vidų. Verdantis vanduo ir organiniai tirpikliai, pvz., benzenas, gali deformuoti arba sugadinti plastikines dalis.
- Valydami neplaukite vandeniu ar kitais skysčiais, kad išvengtumėte trumpų jungimų ir nesugadintumėte elektros izoliacijos po panardinimo.

● DĖMESIO

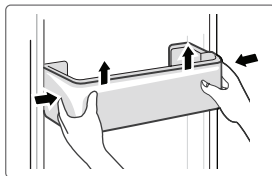
Atšildydami ir valydami, atjunkite šaldytuvą nuo maitinimo šaltinio.

Atšildymas

- Šaldytuvą pagamintas pagal oro aušinimo principą, todėl jame įdiegta automatinio atšildymo funkcija. Šerkšną, susidariusį dėl sezoniško ar temperatūros pasikeitimo, taip pat galima pašalinti rankiniu būdu, atjungiant prietaisą nuo maitinimo šaltinio arba nušluostant sausu rankšluosčiu.

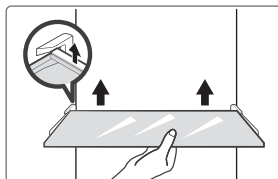
Durelių padėklo valymas

- Pagal krypties rodyklę žemiau esančiame paveikslėlyje abiem rankomis suspauskite dėklą ir pastumkite jį aukštyn, kad galėtumėte išimti.
- Išplovę išimtą padėklą, galite nustatyti jo montavimo aukštį pagal savo poreikį.



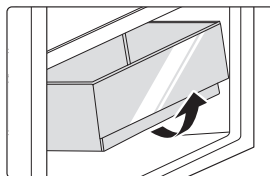
Stiklo lentynos valymas

- Vidinėje šaldytuvo įdėklo dalyje lentynėlės liečiasi su stabdikliu, todėl norėdami išimti lentynėles, pakelkite jas aukštyn.
- Sureguliuokite arba išvalykite lentynėles pagal poreikį.



Daržovių stalčiaus valymas

1. Pašalinkite stalčiaus turinį. Laikykite daržovių stalčiaus rankeną ir ištraukite ją iki galo, kol sustos.
2. Pakelkite daržovių stalčių ir išimkite jį ištraukdami.



Neveikimas

Maitinimo sutrikimas:

Dutrikus elektros energijos tiekimui, net jei yra vasara, maisto produktai prietaiso viduje gali būti laikomi kelias valandas; sutrikus elektros energijos tiekimui, durelių atidarymo laikas turi būti sumažintas ir į prietaisą neturi būti dedama daugiau šviežių maisto produktų.

Ilgai nenaudojant:

Prietaisas turi būti išjungtas ir tada išvalomas; durys paliekamos atviros, kad būtų išvengta nemalonaus kvapo.

Perkėlimas:

Prieš perkeliant šaldytuvą, išimkite visus viduje esančius daiktus, pritvirtinkite stiklines pertvaras, daržovių laikiklį, šaldymo kameros stalčius ir t. Naudodami juostą ir priveržkite išlyginančias kojeles; uždarykite duris ir pritvirtinkite jas juostelėmis. Perkeliant prietaisas neturi būti apverčiamas aukštyn kojomis arba horizontaliai ir negali vibruoti; perkėlimo metu jis neturi būti pakreiptas didesniu kaip 45° kampu.

● DĖMESIO

Paleistas prietaisas turi veikti nepertraukiamai. Paprastai prietaiso veikimas neturi būti nutraukiamas; priešingu atveju gali sumažėti eksploataavimo trukmė.

TRIKČIŲ ŠALINIMAS

Toliau nurodytas paprastas problemas gali išspręsti pats naudotojas. Jei problemų išspręsti nepavyksta, skambinkite garantinio aptarnavimo skyriui.

Problema	Galima priežastis
Prietaisas neveikia	<ul style="list-style-type: none">• Patikrinkite, ar prietaisas prijungtas prie maitinimo šaltinio ir ar kištukas laikosi tvirtai
	<ul style="list-style-type: none">• Patikrinkite, ar ne per žema įtampa
	<ul style="list-style-type: none">• Patikrinkite, ar nėra maitinimo tiekimo sutrikimo ir ar neatsijungė grandinės dalis
Nemalonus kvapas	<ul style="list-style-type: none">• Nemalonius kvapus skleidžiantys maisto produktai turi būti sandariai suvynioti
	<ul style="list-style-type: none">• Patikrinkite, ar nėra supuvusio maisto
	<ul style="list-style-type: none">• Išvalykite šaldytuvo vidų
Ilgai veikiantis kompresorius	<ul style="list-style-type: none">• Ilgas šaldytuvo veikimas yra įprastas vasarą, kai aplinkos temperatūra yra aukšta
	<ul style="list-style-type: none">• Nerekomenduojama vienu metu prietaise laikyti pernelyg daug maisto
	<ul style="list-style-type: none">• Prieš įdedant maistą į prietaisą, jis turi būti atvėsintas
	<ul style="list-style-type: none">• Durelės darinėjamos per dažnai
Lemputės neužsidega	<ul style="list-style-type: none">• Patikrinkite, ar šaldytuvą prijungtas prie maitinimo šaltinio ir ar nepažeista apšvietimo lemputė
	<ul style="list-style-type: none">• Lemputę turi pakeisti specialistas
Durelių nepavyksta tinkamai uždaryti	<ul style="list-style-type: none">• Durys užstrigo dėl netinkamai sudėtų maisto produktų pakuočių
	<ul style="list-style-type: none">• Šaldytuvą pakrypęs.
Didelis triukšmas	<ul style="list-style-type: none">• Patikrinkite, ar grindys lygios ir ar šaldytuvą padėtas stabiliai
	<ul style="list-style-type: none">• Patikrinkite, ar priedai yra išdėstyti reikiamose vietose

LT

Problema	Galima priežastis
Durelių sandariklis nesandarus	<ul style="list-style-type: none"> • Pašalinkite pašalines medžiagas nuo durelių sandariklio • Pašildykite durų sandariklį ir atvėsinkite jį, kad atkurtumėte (arba papūskite jį elektriniu džiovintuvu ar sušildykite karštu rankšluosčiu)
Perpildytas vandens indas	<ul style="list-style-type: none"> • Kameroje yra per daug maisto arba maiste yra per daug vandens, todėl smarkiai atšildoma • Durelės nėra tinkamai uždarytos, todėl patekus orui ir padaugėjus vandens dėl atšildymo, susiformuoja šerkšnas
Karštas korpusas	<ul style="list-style-type: none"> • Integruoto kondensatoriaus šilumos išsklaidymas korpuse, kuris yra normalus. Jei korpusas įkaista dėl aukštos aplinkos temperatūros, per didelio maisto kiekio arba kompresoriaus išjungimo, užtikrinkite tinkamą ventiliaciją, kad padėtumėte išsklaidyti šilumą
Paviršiaus kondensacija	<ul style="list-style-type: none"> • Kondensacija ant šaldytuvo išorinio paviršiaus ir durelių sandariklių yra normalus reiškinys, kai aplinkos drėgmė yra per didelė. Tiesiog nuvalykite kondensatą švariu rankšluosčiu.
Neįprastas garsas	<ul style="list-style-type: none"> • Zvimbimas: Veikdamas kompresorius gali zvimbti, ir zvimbimai yra garsūs, ypač paleidžiant ar sustabdant. Tai normalu. • Girgždėjimas: Šaldalas, tekantis prietaiso viduje, gali sukelti girgždėjimą. Tai yra normalu.

PRIEDAS

Speciali informacija pagal naują Europos standartą

Užsakytas dalis, nurodytas toliau pateiktoje lentelėje, galima įsigyti iš techninės priežiūros paslaugų teikėjo kanalų.

Užsakyta dalis	Suteikia	Minimalus reikalingas pateikimo laikas
Termostatai	Profesionalus techninės priežiūros personalas	Ne mažiau kaip 7 metai po to, kai rinkai buvo pateiktas paskutinis modelis
Temperatūros jutikliai	Profesionalus techninės priežiūros personalas	Ne mažiau kaip 7 metai po to, kai rinkai buvo pateiktas paskutinis modelis
Spausdintinės plokštės	Profesionalus techninės priežiūros personalas	Ne mažiau kaip 7 metai po to, kai rinkai buvo pateiktas paskutinis modelis
Šviesos šaltiniai	Profesionalus techninės priežiūros personalas	Ne mažiau kaip 7 metai po to, kai rinkai buvo pateiktas paskutinis modelis
Durelių rankenos	Profesionalūs remontininkai ir galutiniai naudotojai	Ne mažiau kaip 7 metai po to, kai rinkai buvo pateiktas paskutinis modelis
Durelių vyriai	Profesionalūs remontininkai ir galutiniai naudotojai	Ne mažiau kaip 7 metai po to, kai rinkai buvo pateiktas paskutinis modelis
Dėklai	Profesionalūs remontininkai ir galutiniai naudotojai	Ne mažiau kaip 7 metai po to, kai rinkai buvo pateiktas paskutinis modelis
Krepšiai	Profesionalūs remontininkai ir galutiniai naudotojai	Ne mažiau kaip 7 metai po to, kai rinkai buvo pateiktas paskutinis modelis
Durelių tarpikliai	Profesionalūs remontininkai ir galutiniai naudotojai	Ne mažiau kaip 10 metai po to, kai rinkai buvo pateiktas paskutinis modelis

Gerbiamas kliente,

1. Jei norite grąžinti arba pakeisti produktą, kreipkitės į parduotuvę, kurioje perkate. (Nepamirškite pasiimti sąskaitos faktūros);
2. Jei jūsų produktas sugedo ir jam reikia remonto, susisiekite su garantinio aptarnavimo paslaugų teikėju.

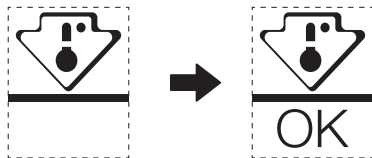
DĖMESIO

Informaciją apie modelį gaminių duomenų bazėje ir modelio identifikatorių galima gauti naudojant interneto nuorodą, nuskaitytą QR kodu, jei yra, pateiktu gaminio energijos vartojimo efektyvumo etiketėje. Daugiau informacijos apie prietaiso energijos vartojimo efektyvumą rasite adresu <https://ec.europa.eu> ir ieškokite naudodami modelio pavadinimą. Modelio pavadinimas nurodytas prietaiso vardinių verčių etiketėje.

Šalčiausia šaldytuvo zona

PASIRINKTINAI: OK–temperatūros indikatorius

- Norint nustatyti žemesnę nei +4 °C temperatūrą, galima naudoti indikatorių OK-temperatūra. Palaipsniui mažinkite temperatūrą, jei ženklas nerodo „OK“ (gerai).



- Siekdami užtikrinti temperatūrą šioje srityje, nekeiskite lentynos padėties. Priverstinio oro šaldytuvuose (su ventiliatoriumi arba modeliai be šerkšno) šalčiausios zonos simbolis nerodomas, nes temperatūra viduje yra vienoda.

Temperatūros indikatoriaus nustatymas

- Kad būtų lengviau tinkamai nustatyti šaldytuvą, jame yra temperatūros indikatorius, kuris leidžia stebėti vidutinę temperatūrą šalčiausioje zonoje.
- ĮSPĖJIMAS:** šis indikatorius skirtas veikti tik su jūsų šaldytuvu. Nenaudokite jo kitame šaldytuve (iš tiesų šalčiausia zona nėra ta pati) ar bet kokiai kitai paskirčiai.

Temperatūros tikrinimas šalčiausioje zonoje

- Naudodamiesi temperatūros indikatoriumi galite reguliariai tikrinti, ar šalčiausios zonos temperatūra yra tinkama. Iš tiesų šaldytuvo vidaus temperatūra priklauso nuo kelių veiksnių, tokių kaip kambario aplinkos temperatūra, laikomo maisto kiekis ir durelių atidarymo dažnis. Parengdami įrenginį atsižvelkite į šiuos veiksnius.
- Kai indikatorius rodo „OK“, termostatas yra gerai sureguliuotas ir vidinė temperatūra yra tinkama.
- Jei temperatūros indikatorius tampa BALTAS, temperatūra yra per aukšta; tokiu atveju padidinkite šaldytuvo temperatūros reguliavimo nustatymą ir palaukite 12 valandų prieš vėl vizualiai patikrindami indikatorių. Įdėjus šviežią maistą arba palikus dureles atidarytas, temperatūros indikatorius po kurio laiko gali tapti BALTAS.

LETRA E FALËNDERIMIT

Ju faleminderit që zgjodhët Midea! Përpara përdorimit të produktit tuaj Midea, ju lutemi që ta lexoni plotësisht këtë manual, për t'u siguruar që të dini të përdorni me siguri veçoritë dhe funksionet që ofron pajisja juaj e re.

PËRMBAJTJA

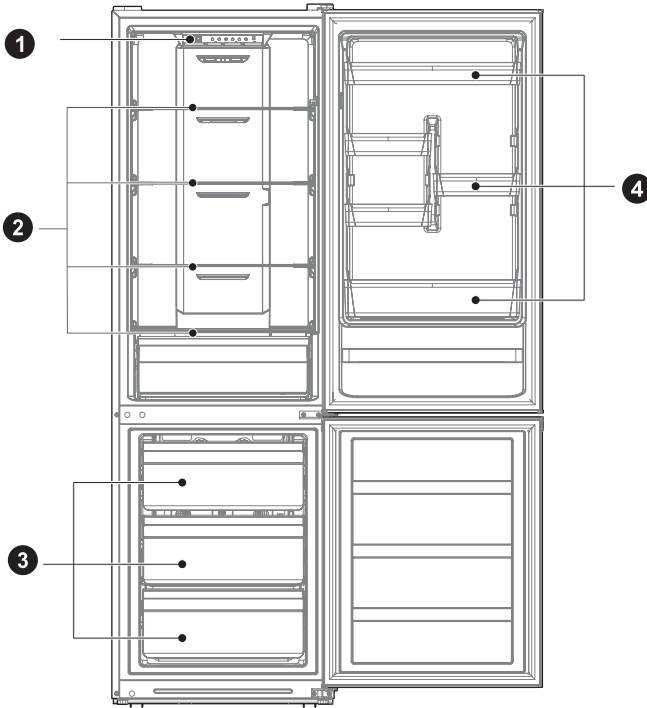
LETRA E FALËNDERIMIT	01
SPECIFIKIMET	02
PAMJE E PËRGJITHSHME E PRODUKTIT	03
INSTALIMI I PRODUKTIT	04
UDHËZIMET E PËRDORIMIT	11
PASTRIMI DHE MIRËMBAJTJA	15
ZGJIDHJA E PROBLEMEVE	17
SHTOJCË	19

SPECIFIKIMET

Modeli i produktit	MDRB424FGE
Vëllimi i dhomës për ruajtjen e ushqimeve të freskëta	224 L
Vëllimi i ruajtjes së ushqimeve të ngrira	86 L
Lloji i shkrirjes	Shkrirje automatike
Koha e rritjes së temperaturës	8 orë
Kapaciteti i ngrirjes	3,9 kg/24 orë
Tensioni/frekuenca e klasifikuar	220-240V~/50Hz
Rryma nominale	0,8 A
Përmasat e përgjithshme (La x Gje x Tra)	1880X595x630 mm

PAMJE E PËRGJITHSHME E PRODUKTIT

Emrat e përbërësve



1 Ndiriçimi LED

2 Raft

3 Sirtar

4 Tabakaja e derës

MBANI PARASYSH

Figura e mësipërme është vetëm për referencë. Konfigurimi aktual do të varet nga produkti fizik ose deklarata e distributorit

INSTALIMI I PRODUKTIT

Udhëzimet e instalimit

Për pajisjet ftohëse me kategori klimaterike

- Në varësi të kategorisë klimaterike, kjo pajisje ftohëse është bërë për t'u përdorur në temperaturë ambienti siç përcaktohet në tabelën e mëposhtme.
- Kategoria klimaterike mund të gjendet në etiketën e të dhënave. Produkti mund të mos punojë normalisht në temperatura jashtë rrezes së specifikuar.
- Kategorinë klimatike mund ta gjeni në etiketën e produktit.

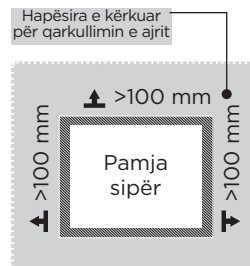
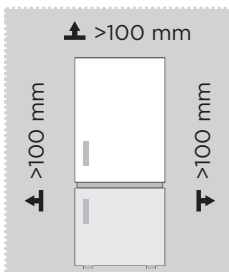
Rrezja e temperaturës së efektshme

- Produkti bërë që të punojë normalisht në gamën e temperaturave të specifikuar në klasifikim.

Kategoria	Simboli	Diapazoni i temperaturës së ambientit në °C	
		IEC 62552 (ISO 15502)	ISO 8561
Temperaturë mesatare e zgjeruar	SN	+ 10 deri në + 32	+ 10 deri në + 32
Temperaturë mesatare	N	+ 16 deri në + 32	+ 16 deri në + 32
Nëntropikale	ST	+ 16 deri në + 38	+ 18 deri në + 38
Tropikale	T	+ 16 deri në + 43	+ 18 deri në + 43

Përmasat dhe hapësirat

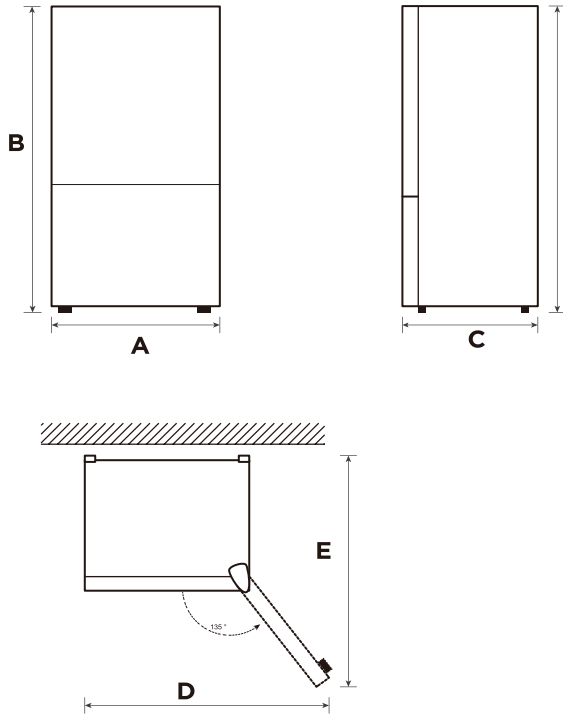
- Distanca shumë e vogël nga sendet e afërta mund të rezultojë në përkeqësim të aftësisë ngrirëse dhe në rritje të kostove të energjisë elektrike. Lejoni më shumë se 100 mm hapësirë nga çdo mur në afërsi kur të instaloni pajisjen.



MBANI PARASYSH

Figura e mësipërme është vetëm për referencë. Konfigurimi aktual do të varet nga produkti fizik ose deklarata e distributorit

Diagrami i kërkesës së hapësirës (kur dera është e hapur dhe kur dera është e mbyllur)



Gjerësia	Lartësia e përgjithshme	Thellësia	Gjerësia me dyer të hapura 135°	Thellësia me dyer të hapura 135°
A	B	C	D	E
595	1880	630	988	1074

Njoftim: Të gjitha përmasat në mm

AL

Ndryshimi i derës djathtas-majtas (opsional)

Bazuar në vendndodhjen ku planifikoni që ta përdorni frigoriferin, mund t'ju duket më komode që të ndërroni pozicionin e derës.

KUJDES

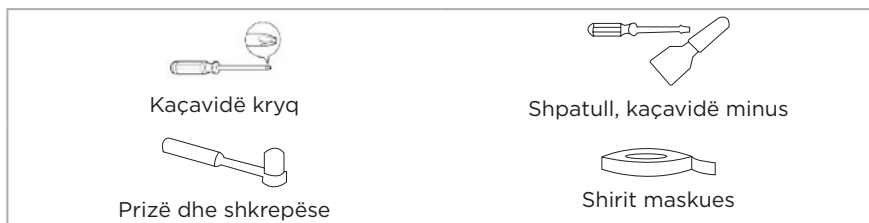
KUJDES: Për të shmangur lëndimin për vete ose pronën tuaj, ju rekomandojmë që t'ju ndihmojë dikush gjatë procesit të ndërrimit të derës.

Përgatitja për të ndërruar pozicionin e derës

Do t'ju duhet: Një kaçavidë standarde, një kaçavidë kryq dhe çelësi i përfshirë.

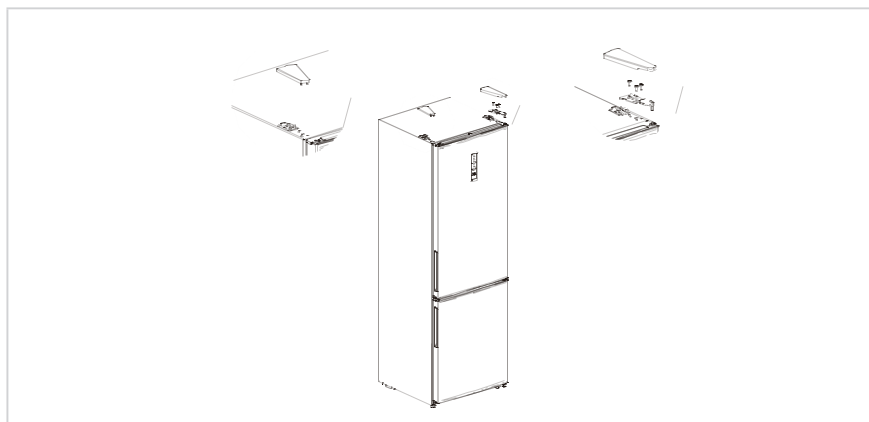
- Sigurohuni që frigoriferi të jetë hequr nga priza dhe të jetë bosh.
- Kini dikë të disponueshëm që t'ju ndihmojë gjatë procesit.
- Ruajini të gjitha pjesët që hiqni, për t'i përdorur sërish më vonë.

Veçat që nevojiten për të ndërruar derën:

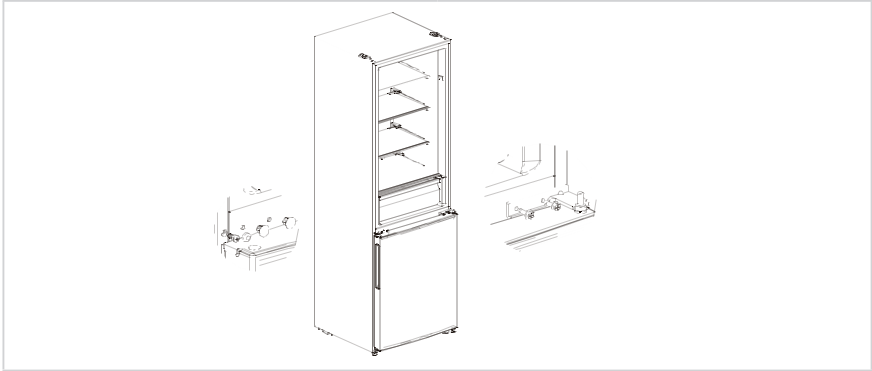


Shkallë

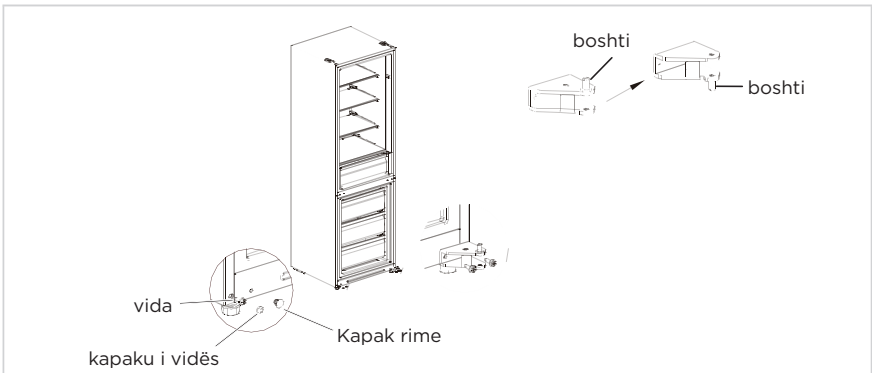
1. Fikeni frigoriferin dhe hiqni të gjitha objektet nga mbajtëset e derës.
2. Çmontoni kapakun e sipërm të menteshës, shkëputni telat e sinjalit, menteshën e sipërme dhe kapakun e vrimës në anën tjetër, hiqni derën e frigoriferit.



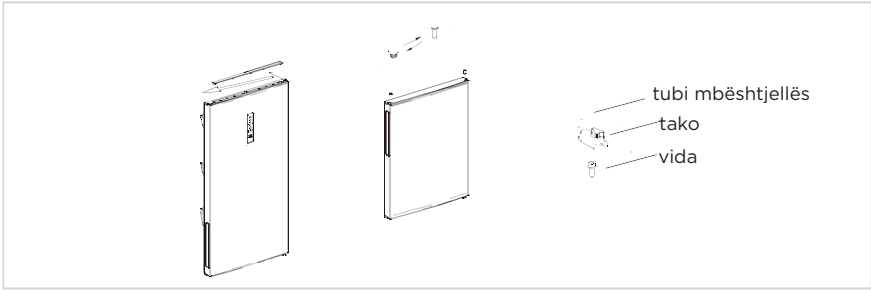
3. Çmontoni menteshën e mesit, vidat, kapakët e vrimave të vidave dhe hiqni derën e ngrirësit.



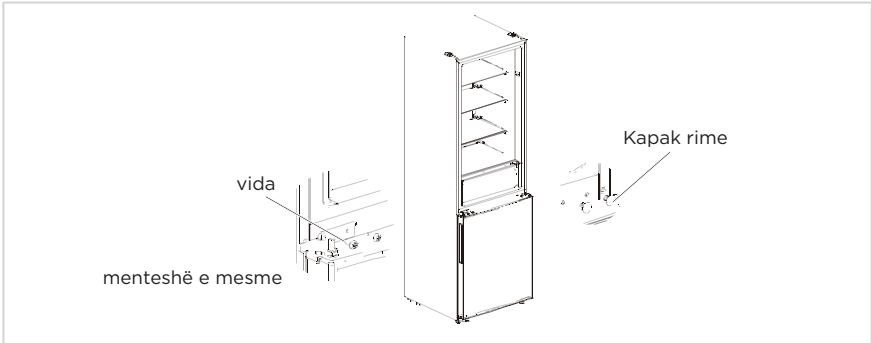
4. Çmontoni menteshën e poshtme, kapakët e vrimave dhe vidat, vendosni boshtin e menteshës së poshtme në anën tjetër të menteshës së poshtme, pastaj vendosni menteshën në anën tjetër.



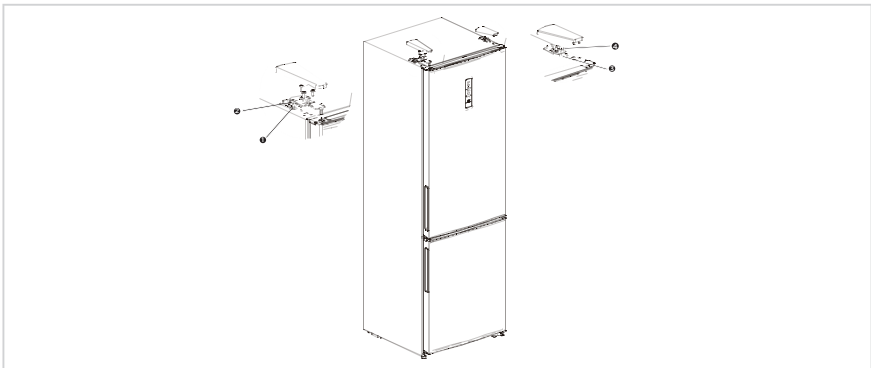
5. Çmontoni vidat, tubin e fashos dhe ndaluesin në kapakun e anës së poshtme të dy trupave të derës dhe vendosini me radhë në anën tjetër të trupave të derës (ndaluesi duhet që të rivendoset nga qesja shtesë). Pastaj hiqni kapakun e anës së sipërme të derës së ftohësit dhe kaloni grupin e kablove me tubin e fashos në anën tjetër të trupit të derës. Në fund, vendosni tubin e fashos së menteshës së sipërme te dera e ftohësit në anën e vrimës së anës tjetër të kapakut të anës së sipërme të derës së ftohësit.



6. Vendosni derën e ngrirësit në menteshën e poshtme, vendosni menteshën e mesit, vidat dhe kapakët e vrimave të vidave.



7. Vndosni trupin e derës së hapësirës së frigoriferit në menteshën e mesit, pastaj vendosni menteshën e sipërme në anën tjetër të kabinetit, në fund lidhni terminalat 1, 2 të telave të sinjalit në anën e menteshës së sipërme dhe terminalat 3, 4 në anën tjetër dhe mbulojeni me kapakun e menteshës dhe kapakun e vrimave.



● MBANI PARASYSH

Figura e mësipërme është vetëm për referencë. Konfigurimi aktual do të varet nga produkti fizik ose deklarata e distributorit.

Vendosja

- Përpara përdorimit, hiqni të gjitha materialet e paketimit, duke përfshirë jastëkët e poshtëm, format prej shkume dhe ngjitëset brenda frigoriferit; hiqni shtresën mbrojtëse nga dyert dhe nga trupi i frigoriferit.
- Mbajeni larg nxehtësisë dhe shmangni dritën e drejtpërdrejtë të diellit. Mos e vendosni ngrirësin në vende me lagështi ose ujë, për të parandaluar ndryshkjen ose uljen e efektit izolues.
- Mos e spërkatni ose mos e lani frigoriferin; mos e vendosni frigoriferin në vende me lagështi ku mund të spërkatet lehtë me ujë, në mënyrë që të mos dëmtoni izolimin elektrik të frigoriferit.
- Frigoriferi vendoset në një ambient të brendshëm me ajrosje të mirë; dyshemeja duhet të jetë e rrafshët dhe e fortë (nëse është e paqëndrueshme, kthejeni majtas ose djathtas për të rregulluar për të niveluar rrotat).



Këmbët e nivelimit

Për të shmangur dridhjet, njësia duhet që të nivelohet.

Nëse nevojitet, rregulloni vidat e nivelimit për të kompensuar nivelin e dyshemesë.

Pjesa e përparme duhet të jetë pak më lart sesa e pasmja, për të ndihmuar mbylljen e derës.

Vidat e nivelimit mund të rrotullohen lehtësisht, duke e ngritur pak kabinetin.

Rrotullojini vidat e nivelimit në drejtim të kundërt të akrepave të orës  për ta ngritur njësinë dhe në drejtimin e akrepave të orës  për ta ulur atë.

Lëvizja e pajisjes

1. Hiqni të gjitha ushqimet nga brenda pajisjes.
2. Hiqni spinën e korrentit, vendoseni dhe fiksojeni te kapësja e spinës së korrentit, në pjesën e pasme ose mbi pajisje.
3. Vendosni ngjitëse te raftet dhe doreza e derës, për të parandaluar rënien gjatë lëvizjes së pajisjes.
4. Lëvizeni pajisjen me kujdes me më shumë se dy persona. Kur ta transportoni pajisjen në distancë të gjatë, mbajeni vertikalisht.
5. Pas instalimit të pajisjes, lidhni spinën e korrentit te priza, për të ndezur pajisjen.

MBANI PARASYSH

Masa paraprake përpara përdorimit:

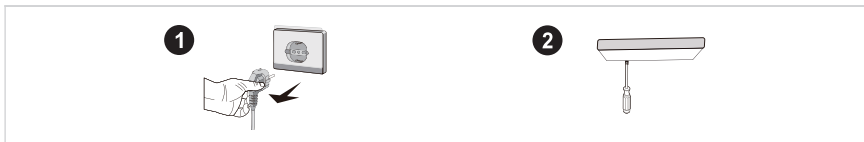
Përpara se të bëni ndryshime, duhet të hiqni frigoriferin nga rryma. Duhet të merren masa paraprake për të parandaluar lëndimin e personit.

Ndërrimi i dritës

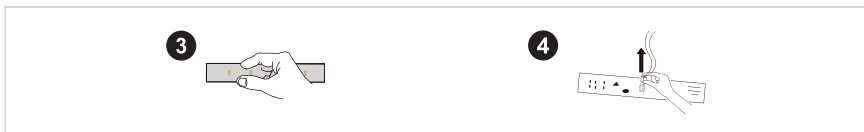
- Çdo ndërrim ose mirëmbajtje e llambave LED synohet që të kryhet nga prodhuesi, agjenti i tij i shërbimit ose nga një person me kualifikim të ngjashëm. Ky produkt përmban një burim drite të kategorisë me kursim energjie <F>.

Shkallë

1. Ju lutem hiqeni spinën para se ta nxirrni.
2. Hiqeni kapakun e dritës me kaçavidë



3. Hiqni panelin e llambës.
4. Hiqni terminalin e lidhjes.



Lidhja e pajisjes

Përpara përdorimit fillestar, mbajeni frigoriferin për gjysmë ore pa punë, përpara se ta lidhni me rrymën.

● MBANI PARASYSH

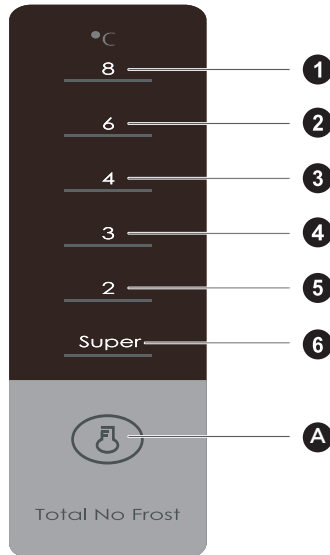
Përpara se të vendosni ushqime të freskëta ose të ngrira, frigoriferi duhet të punojë për 2-3 orë ose për mbi 4 orë në verë, kur temperatura e ambientit është e lartë.

Këshilla për kursimin e energjisë

- Pajisja duhet të vendoset në zonën më të freskët të dhomës, larg pajisjeve që prodhojnë nxehtësi ose tubave të ngrohjes dhe larg dritës së drejtpërdrejtë të diellit.
- Lërimi ushqimet e nxehta të arrijnë temperaturën e ambientit përpara se t'i vendosni në pajisje. Mbingarkimi i pajisjes e detyron kompresorin që të punojë më shumë. Ushqimet që ngrihen shumë ngadalë mund të humbasin cilësinë ose të prishen.
- Sigurohuni që t'i mbështillni ushqimet mirë dhe që t'i thani enët përpara se t'i vendosni në pajisje. Kjo redukton krijimin e brymës brenda pajisjes.
- Koshi i ruajtjes së pajisjes nuk duhet veshur me letër alumini, letër dylli ose letra kuzhine. Shtresat pengojnë qarkullimin e ajrit të ftohtë, duke e bërë pajisjen më pak efikase.
- Organizoni dhe etiketoni ushqimin për të reduktuar hapjen e derës dhe kërkimet e gjata. Hiqni sa më shumë artikuj që ju nevojiten në një kohë dhe mbylleni derën sa më shpejt që të jetë e mundur.

UDHËZIMET E PËRDORIMIT

Paneli i kontrollit



● MBANI PARASYSH

Figura e mësipërme është vetëm për referencë. Konfigurimi aktual do të varet nga produkti fizik ose deklarata e distributorit.

Tasti

A Butoni i caktimit të temperaturës

Fusha e ekranit

1	caktimi 1 i temperaturës
2	caktimi 2 i temperaturës
3	caktimi 3 i temperaturës
4	caktimi 4 i temperaturës
5	caktimi 5 i temperaturës
6	caktimi 6 i temperaturës

AL

Ekрани

Kur ndizet frigoriferi, ekrani i afishimit (duke përfshirë dritën e tastit) do të ndriçojë plotësisht për 3 sekonda, pastaj frigoriferi punon sipas caktimit 3 të temperaturës.

Afishimi kur punon normalisht

Në rast defekti, drita përkatëse LED do të japë një afishim të kombinuar të kodit të defektit (në afishimin që riqarkullon);

Kur nuk ka defekt, drita LED do të afishojë caktimin ekzistues të temperaturës.

● MBANI PARASYSH

Paneli aktual i kontrollit mund të ndryshojë në varësi të modelit.

Udhëzimet e përdorimit

Caktimi i mekanizmit

- Caktimi i temperaturës do të ndryshohet një herë me radhë kur të keni shtypur tastin SET. Më pas, frigoriferi do të punojë në vlerën e re të caktimit pas 15 sekondash.

Caktimi 1 → Caktimi 2 → Caktimi 3 → Caktimi 4 → Caktimi 5 → Caktimi 6 → Caktimi 1 →

Regjimi i ftohjes së shpejtë:

- Hyni: Regjim ftohjeje i shpejtë me modulim qarkullimi.
- Përdorni: Treguesi i ftohjes së shpejtë ndizet dhe frigoriferi punon në 2°C.
- Regjimi i ftohjes së shpejtë çaktivizohet automatikisht për 24 orë.
- Funkzioni i ftohjes së shpejtë mund të përdoret si funksion ngrirjeje super.

Rregullimi i çelësit manual të lagështuesit të ajrit

- Ngrini rrëshqitësin e lagështuesit të ajrit dhe temperatura aktuale brenda dhomës së ngrirës do të bjerë, ulni rrëshqitësin e lagështuesit të ajrit dhe temperatura aktuale brenda dhomës së ngrirës do të rritet.

Temperatura e ngrirësit

MË E FTOHTE

|

MË FTOHTE

|

FTOHTE



Kodi i gabimit

- Paralajmërimet e mëposhtme shfaqen në ekran për të treguar defektet përkatëse të frigoriferit. Ndonëse frigoriferi mund të vazhdojë të ketë funksion ftohjeje dhe ngrirjeje me defektet e mëposhtme, përdoruesi duhet të kontaktojë një specialist mirëmbajtjeje për mirëmbajtje, në mënyrë që të sigurojë përdorimin normal të frigoriferit.

Kodi i defektit	Përshkrimi i defektit
Drita LED 1 dhe LED 2 të ndezura	Qarku i sensorit të temperaturës së frigoriferit
Drita LED 1 dhe LED 3 të ndezura	Sensori i shkrires së ngrirësit
Drita LED 1 dhe LED 4 të ndezura	Sensori i temperaturës së ambientit

● MBANI PARASYSH

Shënim: Funkzioni i ngrirjes së shpejtë është krijuar për të ruajtur vlerën ushqyese të ushqimit në ngrirës. Mund të ngrijë ushqimin në kohën më të shkurtër. Nëse një sasi e madhe ushqimi vendoset në ngrirje njëherësh, rekomandohet që përdoruesi të aktivizojë funksionin e ngrirjes së shpejtë dhe ta fusë ushqimin brenda. Në këtë kohë, shpejtësia e ngrirjes së ndarësit të ngrirësit rritet, e cila mund të ngrijë shpejt ushqimin, të bllokojë në mënyrë efektive vlerat ushqyese të ushqimit dhe të lehtësojë ruajtjen.

Hapësira e ftohjes

- Hapësira e ftohjes është e përshtatshme për ruajtjen e frutave, primeve, pijeve dhe ushqimeve të tjera që konsumohen brenda një afati të shkurtër, koha e sugjeruar e ruajtjes është nga 3 ditë në 5 ditë.
- Ushqimet e gatuar nuk duhet të vendosen në hapësirën e ftohjes derisa të jenë ftohur në temperaturë ambienti.
- Përpara vendosjes në frigorifer, rekomandohet që ushqimet të izoloohen.
- Raftet prej xhami mund të ngrihen lart ose poshtë për të rregulluar hapësirën e ruajtjes me një përmasë të arsyeshme dhe për lehtësi përdorimi.

Dhoma e ngrirjes

- Hapësira e ngrirjes me temperaturë të ulët mund ta mbajë ushqimin të freskët për një kohë të gjatë dhe përdoret kryesisht për të ruajtur ushqime të ngrira dhe për të prodhuar akull.
- Hapësira e ngrirjes është e përshtatshme për ruajtjen e mishit, peshkut, orizit dhe ushqimeve të tjera që nuk do të konsumohen brenda një periudhe të shkurtër.
- Thelat e mishit preferohet që të ndahen në copa të vogla, që të ngrijnë shpejt dhe të merren lehtësisht. Mbani parasysh që ushqimi duhet të konsumohet brenda periudhës së ruajtjes.

● MBANI PARASYSH

Shënim: Ruajtja e një sasive shumë të madhe ushqimi gjatë përdorimit të parë, mund të ndikojë negativisht në funksionin e ngrirjes të frigoriferit.

Rendi	LLOJI i hapësirës	Temperatura e synuar e ruajtjes [°C]	Ushqimi i përshtatshëm
1	Frigoriferi	+2 - +8	Vezët, ushqimet e gatuar, ushqimet e paketuara, frutat dhe perimet, produktet e bulmetit, kekët, pijet dhe ushqimet e tjera nuk janë të përshtatshme për ngrirje.
2	(***)*-Ngrirësi	≤-18	Produktet e detit (peshqit, karkalecat e detit, midhjet), produktet e ujit të ëmbël dhe produktet e mishit (rekomandohet për 3 muaj; sa më e gjatë të jetë koha e ruajtjes, aq më e keqe është shija dhe vlerat ushqyese), e përshtatshme për ngrirjen e ushqimeve të freskëta.
3	****-Ngrirësi	≤-18	Produktet e detit (peshqit, karkalecat e detit, midhjet), produktet e ujit të ëmbël dhe produktet e mishit (rekomandohet për 3 muaj; sa më e gjatë të jetë koha e ruajtjes, aq më e keqe është shija dhe vlerat ushqyese), e përshtatshme për ngrirjen e ushqimeve të freskëta.
4	** -Ngrirësi	≤-12	Produktet e detit (peshqit, karkalecat e detit, midhjet), produktet e ujit të ëmbël dhe produktet e mishit (rekomandohet për 3 muaj; sa më e gjatë të jetë koha e ruajtjes, aq më e keqe është shija dhe vlerat ushqyese), e përshtatshme për ngrirjen e ushqimeve të freskëta.
5	*-Ngrirësi	≤-6	Produktet e detit (peshqit, karkalecat e detit, midhjet), produktet e ujit të ëmbël dhe produktet e mishit (rekomandohet për 3 muaj; sa më e gjatë të jetë koha e ruajtjes, aq më e keqe është shija dhe vlerat ushqyese), e përshtatshme për ngrirjen e ushqimeve të freskëta.
6	0-yje	-6 - 0	Mishi i freskët i derrit, i lopës, i pulës, disa ushqime të përpunuara të paketuara etj. (Rekomandohen që të hahen brenda ditës, preferohet jo më shumë se 3 ditë). Ushqime të përpunuara të paketuara pjesërisht (ushqime që nuk duhet të ngrijnë).
7	Ftohje	-2 - +3	Mish derri i freskët/i ngrirë, mish lope, mish pule, produkte uji të ëmbël etj. (7 ditë nën 0°C dhe mbi 0°C rekomandohet për konsum brenda asaj dite, preferohet jo më shumë se 2 ditë). Produktet e detit (jo më pak se 0 për 15 ditë, nuk rekomandohet të ruhet mbi 0°C.)
8	Ushqim i freskët	0 - +4	Mishi i freskët i derrit, i lopës, i pulës, ushqime të gatuar etj. (Rekomandohen që të hahen brenda ditës, preferohet jo më shumë se 3 ditë)
9	Verë	+5 - +20	Verë e kuqe, verë e bardhë, verë me gaz etj.

MBANI PARASYSH

Ju lutemi t'i ruani ushqimet e ndryshme në përputhje me hapësirat ose temperaturat e synuara të ruajtjes që janë blerë.

PASTRIMI DHE MIRËMBAJTJA

Pastrimi i përgjithshëm

- Pluhuri pas frigoriferit dhe në tokë duhet të pastrohet në kohë për të përmirësuar funksionin e ftohjes dhe për të kursyer energji.
- Kontrolloni rregullisht gominën e derës për t'u siguruar që nuk ka papastërti. Pastroni gominën e derës me një leckë të butë, të njomur me ujë me sapun ose detergjent të holluar.
- Pjesa e brendshme e frigoriferit duhet të pastrohet rregullisht për të shmangur aromat e këqija.
- Përpara se të pastroni pjesën e brendshme, shkëputni energjinë, hiqni të gjitha ushqimet, pijet, raftet, sirtarët etj.
- Përdorni një leckë të butë ose sfungjer për ta pastruar frigoriferin nga brenda, me dy lugë kafeje sodë buke dhe një litër ujë të ngrohtë. Pastaj shpëlajeni me ujë dhe fshijeni mirë. Pas pastrimit, hapni derën dhe lëreni të thahet vetë përpara se ta rindizni.
- Për zonat e vështira për t'u pastruar në frigorifer (si bashkimet e ngushta, hapësirat e ngushta ose cepat), rekomandohet që t'i fshini rregullisht me një leckë të butë, furçë të butë etj. dhe kur të jetë e nevojshme, ta kombinoni me disa mjete shtesë (si p.sh. shkopinj të hollë) për t'u siguruar që në ato zona të mos grumbullohen ndotës ose baktere.
- Mos përdorni sapun, detergjent, pluhur për ta fërkuar, pastrues me spërkatje etj. sepse këto mund të krijojnë aroma të këqija në frigorifer ose të ndotin ushqimin.
- Pastroni vendin e shisheve, raftet dhe sirtarët me një leckë të butë, të njomur me ujë me sapun ose detergjent të holluar. Thajeni me një leckë të butë ose lëreni të thahet vetë.
- Fshini sipërfaqen e jashtme të frigoriferit me një leckë të butë të njomur me ujë me sapun, detergjent etj. dhe pastaj fshijeni.
- Mos përdorni furça të forta, tela pastrimi, furça me tel, gërryes (si pastë dhëmbësh), tretës organikë (si alkool, aceton, vaj bananeje etj.), ujë të vluar, artikuj me acid ose alkale, të cilat mund të dëmtojnë sipërfaqen e frigoriferit dhe pjesën e brendshme. Uji i vluar dhe tretësit organikë si benzeni mund të deformatojë ose të dëmtojë pjesët plastike.
- Mos e shpëlani drejtpërdrejt me ujë ose lëngje të tjera gjatë pastrimit për të shmangur qarkun e shkurtër ose dëmtimin e izolimit elektrik pas zhytjes në ujë.

AL

MBANI PARASYSH

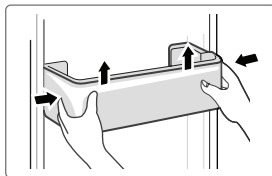
Ju lutemi ta shkëputni frigoriferin kur ta shkrini dhe ta pastroni.

Shkrija e akullit

- Frigoriferi është prodhuar me parimin e ftohjes së ajrit dhe si rrjedhojë, ka funksion shkrijeje automatike. Bryma që formohet për shkak të stinës ose temperaturës mund të hiqet gjithashtu manualisht duke e shkëputur pajisjen nga furnizimi me energji ose duke e fshirë me një peshqir të thatë.

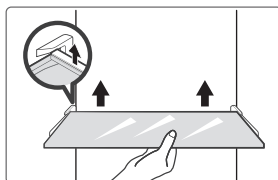
Pastrimi i tabakasë së derës

- Në përputhje me drejtimin e shigjetave në figurën e mëposhtme, përdorni të dyja duart për ta shtypur tabakanë dhe shtyjeni për lart dhe pastaj mund ta nxirri.
- Pas larjes së tabakasë kur ta keni nxjerrë, mund të rregulloni lartësinë e saj në përputhje me kërkesat tuaja.



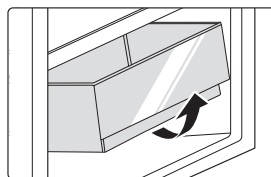
Pastrimi i raftit prej xhami

- Meqenëse pjesa fundore e veshjes së frigoriferit ku bën kontakt me raftet ka një ndalesë, duhet t'i ngrini raftet lart dhe atëherë mund t'i hiqni.
- Rregulloni ose pastroni raftet sipas nevojës suaj.



Pastrimi i raftit të perimeve

1. Hiqni artikujt nga rafti. Mbani dorezën e raftit të perimeve dhe tërhiqeni plotësisht derisa të ndalojë.
2. Ngrini lart raftin e perimeve dhe hiqeni duke e tërhequr.



Kur nuk përdoret

Ndërprerje energjie:

Në rast ndërprerjeje energjie, edhe kur është verë, ushqimet brenda pajisjes mund të ruhen për disa orë; gjatë ndërprerjes së energjisë dyert nuk duhet të hapen shumë herë dhe të mos vendosen ushqime të tjera të freskëta në pajisje.

Kur nuk përdoret për një kohë të gjatë:

Pajisja duhet të shkëputet dhe të pastrohet, pastaj dyert të mbahen hapur për të parandaluar aromat e këqija.

Kur transferoheni:

Përpara se të transferoni frigoriferin, hiqni të gjitha artikujt jashtë, fiksoni pjesët prej xhami, mbajtësin e perimeve, sirtarët e hapësirës së ngrirjes etj. me ngjitëse dhe shtrëngoni këmbët e nivelimit, mbyllni dyert dhe fiksojini me ngjitëse. Gjatë transportimit, pajisja nuk duhet të vendoset me kokë poshtë ose horizontalisht ose të dridhet; këndi gjatë transportimit nuk duhet të jetë më i madh se 45°.

● MBANI PARASYSH

Pas ndezjes, pajisja duhet të mbahet në punë vazhdimisht. Përgjithësisht, përdorimi i pajisjes nuk duhet të ndërpritet; përndryshe mund të shkurtohet jetëgjatësia e shërbimit.

ZGJIDHJA E PROBLEMEVE

Problemet e thjeshta të mëposhtme mund të zgjidhen nga përdoruesi. Ju lutem të telefononi servisin nëse problemet nuk zgjidhen.

Problemi	Arsyeja e mundshme
Pajisja nuk punon	• Kontrolloni nëse pajisja është lidhur në rrymë ose nëse spina është vendosur mirë.
	• Kontrolloni nëse tensioni është shumë i ulët.
	• Kontrolloni nëse ka ndërprerje energjie ose ka rënë ndonjë siguresë.
Aromë e keqe	• Mbështillni mirë ushqimet me erë të fortë.
	• Kontrolloni nëse ka ushqime të prishura.
	• Pastroni pjesën e brendshme të frigoriferit.
Përdorimi i kompresorit për një kohë të gjatë.	• Përdorimi i frigoriferit për një kohë të gjatë është normal gjatë verës kur temperatura e ambientit është e lartë.
	• Nuk sugjerohet që të mbani shumë ushqim në pajisje në të njëjtën kohë.
	• Përpara se të vendosen në pajisje, ushqimet duhet të ftohen.
Dyert hapen shumë shpesh.	• Dyert hapen shumë shpesh.
	• Kontrolloni nëse frigoriferi është lidhur me furnizimin me energji dhe nëse drita është e dëmtuar.
	• Ndërrojeni dritën me një specialist
Dera nuk mund të mbyllet siç duhet	• Dera ka ngecur nga paketimet e ushqimit
	• Frigoriferi është i anuar.
Zhurmë e lartë	• Kontrolloni nëse dyshemeja është në nivel dhe nëse frigoriferi është vendosur që të mos lëvizë.
	• Kontrolloni nëse pjesët janë vendosur në vendet e duhura.

Problemi	Arsyeja e mundshme
Gomina e derës nuk mbyllet mirë	<ul style="list-style-type: none"> • Hiqni materialet e huaja nga gomina e derës. • Ngrohni gominën e derës dhe pastaj ftohni që të rikthehet forma (për ta ngrohur përdorni një tharëse flokësh ose një peshqir të nxehtë).
Tabakaja e mbledhjes së ujit derdhet	<ul style="list-style-type: none"> • Ka shumë ushqim brenda hapësirës ose ushqimi i ruajtur ka shumë ujë, që sjell shkrirje të madhe. • Dyert nuk janë mbyllur saktë, duke krijuar brymë kur hyn ajri dhe rritje të nivelit të ujit për shkak të shkrirjes.
Fole e nxehtë	<ul style="list-style-type: none"> • Përhapja e nxehtësisë së kondensatorit të integruar nga foleja është normale. Kur foleja nxehet për shkak të temperaturës së lartë të ambientit, ruajtjes së një sasive të madhe ushqimi ose fikjes së kompresorit, mundësoni një ajrim të mirë, për të lehtësuar shpërndarjen e nxehtësisë
Kondensim i sipërfaqes	<ul style="list-style-type: none"> • Kondensimi i sipërfaqes së jashtme dhe gominave të dyerve të frigoriferit është normal kur lagështia e ambientit është shumë e lartë. Thjesht thajeni kondensimin me një peshqir të pastër.
Zhurmë anormale	<ul style="list-style-type: none"> • Zukatje: Kompresori mund të prodhojë zhurmë zukatjeje gjatë përdorimit dhe kjo zukatje është e lartë veçanërisht gjatë ndezjes ose ndalimit. Kjo është normale. • Gërvimë: Gazi ftohës që rrjedh brenda pajisjes mund të krijojë një zhurmë gërvime, e cila është normale.

SHTOJCË

Veçanërisht për standardin e ri evropian

Pjesët e porositura në tabelën e mëposhtme mund të blihen nëpërmjet kanalit të ofruesit të shërbimeve

Pjesa e porositur	Ofrohet nga	Koha minimale që kërkohet për sigurimin
Termostate	Personali profesionist i mirëmbajtjes	Të paktën 7 vjet pas nxjerrjes në treg të modelit të fundit
Sensorë temperature	Personali profesionist i mirëmbajtjes	Të paktën 7 vjet pas nxjerrjes në treg të modelit të fundit
Panele qarku të stampuar	Personali profesionist i mirëmbajtjes	Të paktën 7 vjet pas nxjerrjes në treg të modelit të fundit
Drita	Personali profesionist i mirëmbajtjes	Të paktën 7 vjet pas nxjerrjes në treg të modelit të fundit
Doreza dyersh	Riparuesit profesionistë dhe përdoruesit përfundimtarë	Të paktën 7 vjet pas nxjerrjes në treg të modelit të fundit
Mentesha e deres	Riparuesit profesionistë dhe përdoruesit përfundimtarë	Të paktën 7 vjet pas nxjerrjes në treg të modelit të fundit
Tabakatë	Riparuesit profesionistë dhe përdoruesit përfundimtarë	Të paktën 7 vjet pas nxjerrjes në treg të modelit të fundit
Shportat	Riparuesit profesionistë dhe përdoruesit përfundimtarë	Të paktën 7 vjet pas nxjerrjes në treg të modelit të fundit
Gomina dere	Riparuesit profesionistë dhe përdoruesit përfundimtarë	Të paktën 10 vjet pas nxjerrjes në treg të modelit të fundit

I nderuar klient,

1. Nëse dëshironi që ta ktheni ose ta zëvendësoni produktin, ju lutemi të kontaktoni dyqanin ku e bletë.

(Mos harroni të merrni me vete faturën e blerjes)

2. Nëse produkti priset dhe ka nevojë për riparim, ju lutemi të kontaktoni kompaninë e shërbimeve pas shitjes.

● MBANI PARASYSH

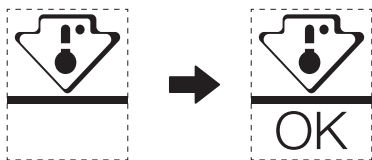
Informacionet e modelit në databazën e produktit, si edhe identifikuesi i modelit, mund të merret nëpërmjet një lidhjeje uebi, të skanuar me një kod QR, nëse ka, në etiketën e efikasitetit energjistik të produktit.

Për më shumë informacion rreth efikasitetit të energjisë së pajisjes, vizitoni <https://ec.europa.eu> dhe kërkoni duke përdorur emrin e modelit. Emri i modelit mund të gjendet në etiketën e klasifikimit të pajisjes.

Zona më e ftohtë në frigorifer

OPSIONALE: Treguesi i temperaturës OK

- Treguesi i temperaturës OK mund të përdoret për të përcaktuar temperatura nën +4°C. Ulini gradualisht temperaturën nëse shenja nuk tregon “OK”.



- Për të garantuar temperaturën në këtë zonë, mos e ndryshoni pozicionin e raftit. Frigoriferët me ajër të forcuar (të pajisur me ventilator ose modelet Pa Ngrirje), simboli i zonës më të ftohtë nuk tregohet sepse temperatura brenda është homogjene.

Konfigurimi i treguesit të temperaturës

- Për t’ju ndihmuar ta konfiguroni mirë frigoriferin, ai është i pajisur me një tregues temperature që monitoron temperaturën mesatare në zonën më të ftohtë.
- **PARALAJMËRIM:** Ky tregues ka për qëllim të punojë vetëm me frigoriferin tuaj, mos e përdorni në një frigorifer tjetër (në fakt, zona më e ftohtë nuk është e njëjtë), apo për ndonjë përdorim tjetër.

Kontrollimi i temperaturës në zonën më të ftohtë

- Me treguesin e temperaturës, mund të kontrolloni rregullisht që temperatura e zonës më të ftohtë është e saktë. Por, temperatura e brendshme e frigoriferit varet nga disa faktorë, si temperatura e ambientit të dhomës, sasia e ushqimit të ruajtur dhe shpeshtësia e hapjes së derës. Duhet të merren parasysh këta faktorë kur konfigurohet pajisja.
- Kur treguesi thotë «OK», kjo do të thotë që termostati është vendosur mirë dhe temperatura e brendshme është e saktë.
- Nëse treguesi i temperaturës bëhet I BARDHË, kjo do të thotë që temperatura është tepër e lartë; në këtë rast, rriteni kontrollin e temperaturës së frigoriferit dhe prisni 12 orë para se të bëni një kontroll tjetër me sy të treguesit. Kur futen ushqime të freskëta ose dera është lënë hapur, ekziston mundësia që treguesi i temperaturës të bëhet I BARDHË pas njëfarë kohe.

PODĚKOVÁNÍ

Děkujeme vám, že jste si zvolili značku Midea. Před použitím svého nového výrobku Midea si prosím pečlivě přečtete tento návod, abyste si byli jistí, jak bezpečným způsobem ovládat možnosti a funkce, které váš nový spotřebič nabízí.

OBSAH

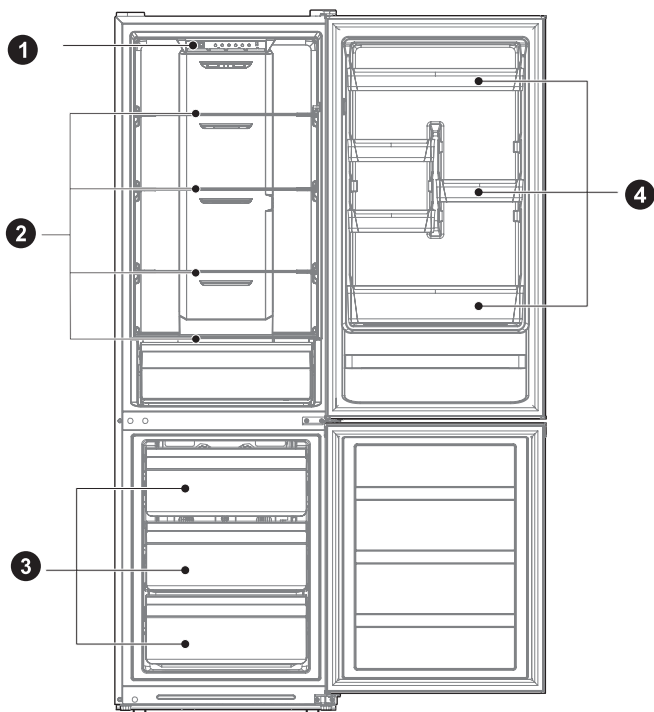
PODĚKOVÁNÍ	01
TECHNICKÉ ÚDAJE	02
PŘEHLED PRODUKTU	03
MONTÁŽ VÝROBKU	04
POKYNY K OVLÁDÁNÍ	11
ČIŠTĚNÍ A ÚDRŽBA	15
ŘEŠENÍ PROBLÉMŮ	17
DODATEK	19

TECHNICKÉ ÚDAJE

Model výrobku	MDRB424FGE
Objem úložného prostoru pro čerstvé potraviny	224 L
Objem úložného prostoru pro zmrazené potraviny	86 L
Typ odmrazování	Automatické rozmrazování
Doba zvýšení teploty	8 h
Mrazicí kapacita	3,9 kg/24 hodin
Jmenovité napětí/frekvence	220-240V~/50Hz
Jmenovitý proud	0,8 A
Celkové rozměry (V × Š × H)	1 880 × 595 × 630 mm

PŘEHLED PRODUKTU

Názvy součástí



1 Osvětlení LED

2 Police

3 Šuplík

4 Police dveří

UPOZORNĚNÍ

Výše uvedený obrázek slouží pouze pro referenci. Skutečná konfigurace bude záviset na fyzickém výrobku nebo prohlášení distributora.

CZ

MONTÁŽ VÝROBKU

Pokyny k montáži

Pro chladicí zařízení s klimatickou třídou

- V závislosti na klimatické třídě je tento chladicí spotřebič určen k použití v rozmezí okolní teploty podle následující tabulky.
- Klimatickou třídu najdete na typovém štítku. Výrobek nemusí při teplotách mimo uvedený rozsah fungovat správně.
- Klimatickou třídu najdete na štítku výrobku.

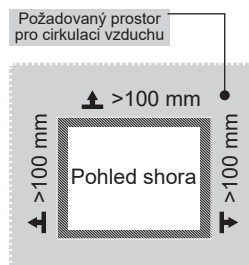
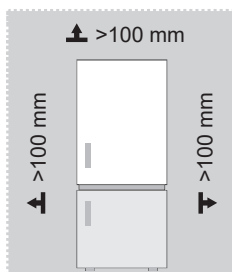
Efektivní rozsah teplot

- Výrobek je navržen tak, aby normálně fungoval v teplotním rozsahu určeném jeho třídou.

Třída	Symbol	Rozsah okolní teploty °C	
		IEC 62552 (ISO 15502)	ISO 8561
Rozšířené mírné pásmo	SN	+10 až +32	+10 až +32
Mírné pásmo	N	+16 až +32	+16 až +32
Subtropické pásmo	ST	+16 až +38	+18 až +38
Tropické pásmo	T	+16 až +43	+18 až +43

Rozměry a odstupy

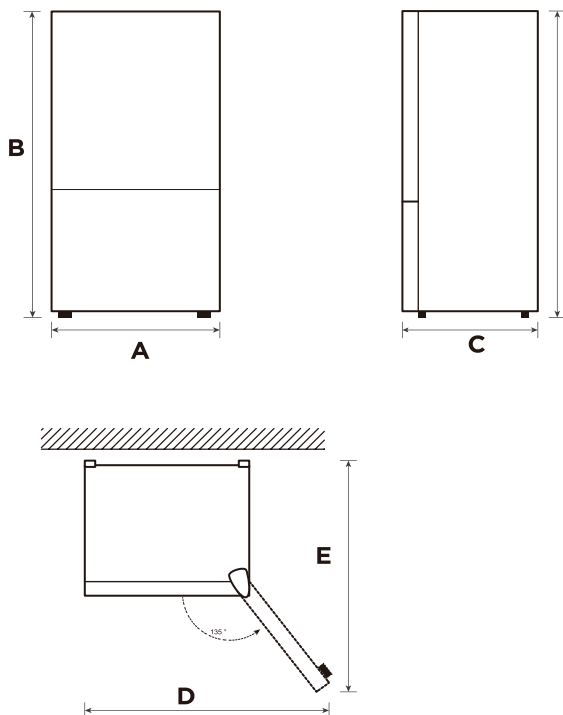
- Příliš malá vzdálenost od sousedních předmětů může vést ke zhoršení funkce mrazení a vyšším nákladům na elektrickou energii. Při montáži spotřebiče ponechte odstup od všech sousedních stěn více než 100 mm.



UPOZORNĚNÍ

Výše uvedený obrázek slouží pouze pro referenci. Skutečná konfigurace bude záviset na fyzickém výrobku nebo prohlášení distributora.

Schéma požadavků na prostor (při otevřených a zavřených dveřích)



Šířka	Celková výška	Hloubka	Šířka při otevření dveří v úhlu 135°	Hloubka při otevření dveří v úhlu 135°
A	B	C	D	E
595	1 880	630	988	1074

Poznámka: Všechny rozměry jsou uvedeny v milimetrech.

Změna z pravých dveří na levé (volitelná)

V závislosti na místě, kde plánujete chladničku používat, může být pohodlnější obrátit orientaci dveří.

VAROVÁNÍ

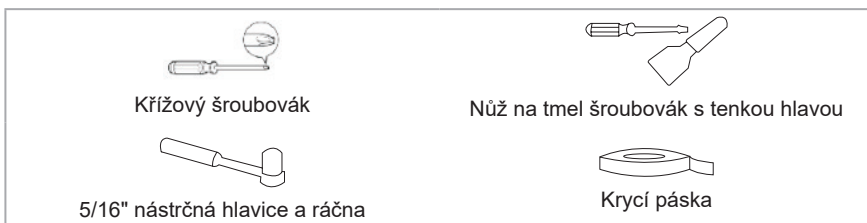
VAROVÁNÍ: Doporučujeme, aby vám během procesu obrácení dveří někdo pomáhal, abyste zabránili zranění nebo poškození majetku.

Příprava na obrácení orientace dveří

Budete potřebovat: běžný šroubovák, křížový šroubovák a dodaný imbusový klíč.

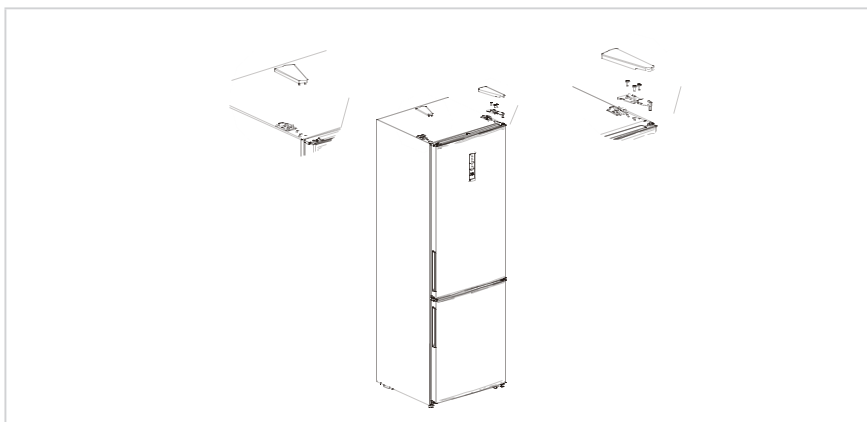
- Zkontrolujte, zda je chladnička odpojena a zda je prázdná.
- Mějte někoho při ruce, aby vám během procesu pomohl.
- Všechny součásti, které sejmete, si ponechte, abyste je mohli později znovu využít.

Nástroje potřebné ke změně orientace dveří:



Postup

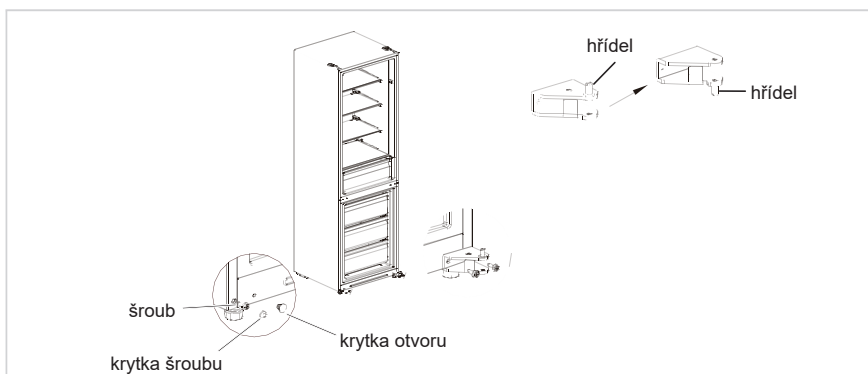
1. Vypněte chladničku a odstraňte všechny předměty z přihrádek ve dveřích.
2. Demontujte kryt horního závěsu, odpojte signálové vodiče, horní závěs a krytku otvoru na druhé straně, vyjměte dveře chladničky.



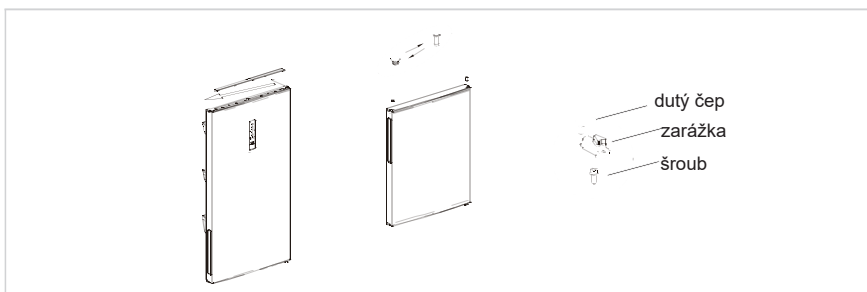
3. Demontujte střední závěs, šrouby, krytky otvorů pro šrouby a vyjměte dveře mrazničky.



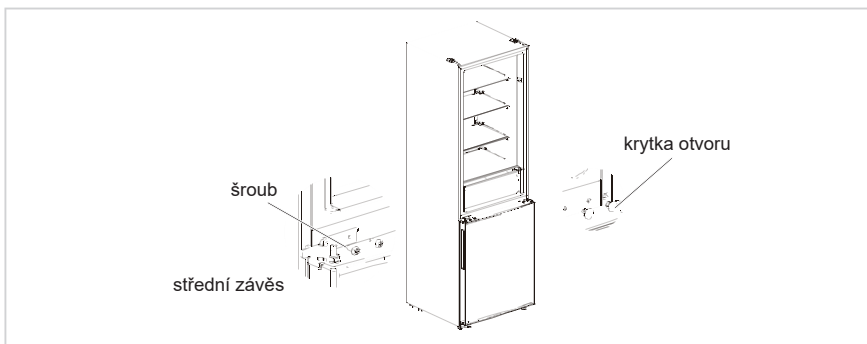
4. Odstraňte spodní závěs, krytky otvorů a šrouby, nainstalujte hřídel spodního závěsu na druhou stranu spodního závěsu a poté nainstalujte závěs na druhou stranu.



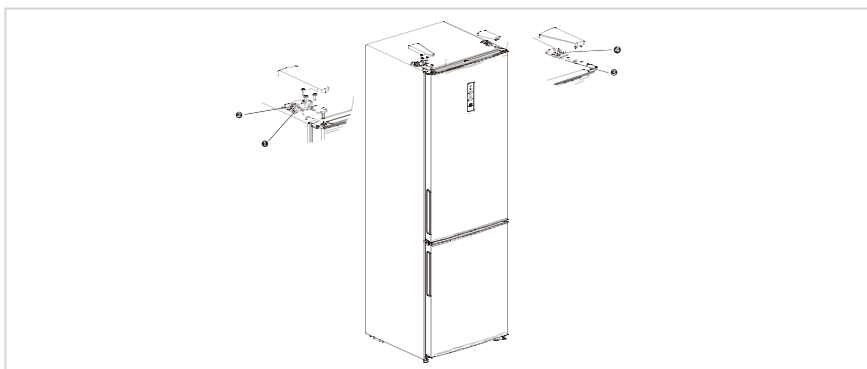
5. Demontujte šrouby, dutý čep a zarážku na spodním čelním krytu obou dveřních těles a namontujte je postupně na druhou stranu dveřních těles (zarážku je třeba vyměnit z dodatečného sáčku). Poté odstraňte horní koncový kryt dveří chladničky a přepojte kabelový svazek s dutým čepem na druhou stranu dveří. Nakonec nainstalujte dutý čep horního závěsu dveří chladničky do otvoru na druhé straně horního koncového krytu dveří chladničky.



6. Nasadíte dveře mrazničky na spodní závěs, namontujte střední závěs, šrouby a krytky otvorů pro šrouby.



7. Umístíte těleso dveří části chladničky na prostřední závěs, poté namontujte horní závěs na druhou stranu skříň, nakonec připojte svorky 1, 2 pro signální vodiče na straně horního závěsu a svorky 3, 4 na druhé straně a zakryjte kryt závěsu a kryt otvoru.



● UPOZORNĚNÍ

Výše uvedený obrázek slouží pouze pro referenci. Skutečná konfigurace bude záviset na fyzickém výrobku nebo prohlášení distributora.

Umístění

- Před použitím vyjměte veškerý obalový materiál včetně spodních vycpávek, pěnových destiček a pásek ve vnitřním prostoru chladničky. Sloupněte ochrannou fólii na dveřích a konstrukci chladničky.
- Umístěte spotřebič mimo dosah tepla a přímého slunečního záření. Neumísťujte mrazničku do vlhkých nebo mokrých míst, abyste zabránili korozi nebo snížení izolačního efektu.
- Na chladničku nestříkejte vodu ani ji neomývejte; nedávejte chladničku na vlhká místa, kde by mohla být snadno postříkána vodou, mohlo by to negativně ovlivnit elektrické izolační vlastnosti chladničky.
- Chladicí box je umístěn na dobře větraném místě v interiéru; plocha musí být rovná a pevná (otáčením doleva nebo doprava upravte vyrovnávací nožku, pokud je výrobek nestabilní).


Vyrovnávací nožičky

Spotřebič musí být vyrovnán, aby se zabránilo vibracím.

Pokud to bude nutné, nastavte vyrovnávací nožičky, aby vykompenzovaly nerovnou podlahu.

Jako pomoc k zavírání dveří by měla být přední část spotřebiče mírně vyšší než zadní část.

Vyrovnávacími šrouby lze snadno otáčet, když spotřebič mírně nakloníte.

Otáčením vyrovnávacími šrouby proti směru hodinových ručiček  spotřebič zvednete, otáčením ve směru hodinových ručiček  jej snížíte.

Přesunování spotřebiče

1. Vyjměte z vnitřku spotřebiče veškeré potraviny.
2. Vytáhněte napájecí zástrčku, vložte ji na háček napájecí zástrčky na zadní nebo horní části spotřebiče a zástrčku připevněte.
3. Přilepte lepicí páskou díly, jako jsou police a madlo dveří, abyste zabránili jejich vypadnutí během přesunování spotřebiče.
4. Spotřebič opatrně přesunujte ve více než dvou lidech. Přepravujete-li spotřebič na delší vzdálenost, udržujte jej ve svislé poloze.
5. Jakmile bude spotřebič namontován na místě, připojte napájecí zástrčku do zásuvky, a spotřebič tak zapněte.

UPOZORNĚNÍ

Bezpečnostní opatření před uvedením do provozu:

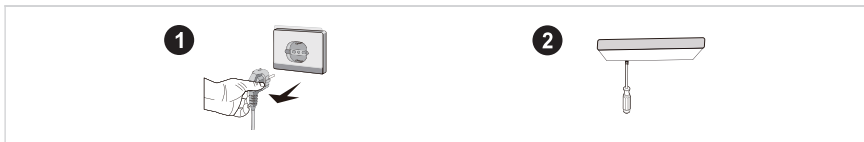
Před prováděním změn musí být chladnička odpojena od napájení. Je nutné dbát bezpečnostních opatření, abyste zabránili zranění osob.

Výměna žárovky

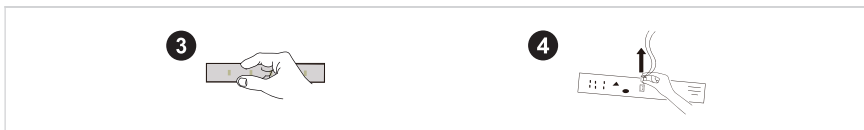
- Jakoukoli výměnu nebo údržbu LED osvětlení musí provádět výrobce, jeho servisní zástupce nebo podobně kvalifikovaná osoba. Tento výrobek obsahuje světelný zdroj energetické účinnosti třídy <F>.

Postup

1. Před vyjmutím vytáhněte zástrčku.
2. Pomocí šroubováku sejměte stínidlo světla



3. Demontujte panel světla.
4. Sejměte přípojovací svorku.



Připojení spotřebiče

Před prvním spuštěním nechte lednici v klidu půl hodiny stát, než ji připojíte k napájení.

UPOZORNĚNÍ

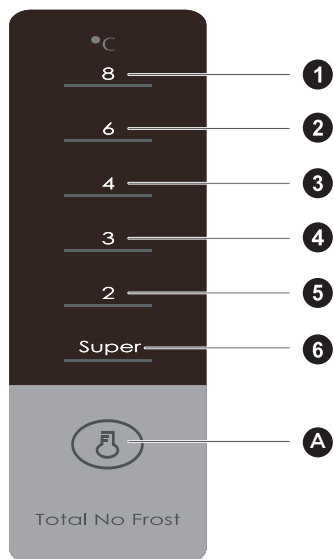
Než dovnitř vložíte jakékoli čerstvé nebo mražené potraviny, měla by chladnička běžet 2–3 hodiny nebo i více než 4 hodiny v létě, kdy je okolní teplota vysoká.

Tipy pro úsporu energie

- Spotřebič by měl být umístěn v nechladnějším místě místnosti, mimo dosah spotřebičů produkujících teplo a topných potrubí i mimo dosah přímého slunečního záření.
- Nevkládejte do spotřebiče horké potraviny – nechte je před vložením vychladnout na pokojovou teplotu. Přetěžování spotřebiče by vedlo k delšímu spuštění kompresoru. Potraviny, které by se zmrazovaly příliš pomalu, by mohly snížit svou kvalitu nebo se znehodnotit.
- Potraviny je nutné řádně zabalit a nádoby dosucha otřít, než je do spotřebiče vložíte. Omezíte tím vznik námrazy ve vnitřním prostoru spotřebiče.
- Zásuvka spotřebiče pro uchovávání potravin by neměla být obalena hliníkovou fólií, voskovaným papírem ani papírovými ručníky. Obaly narušují cirkulaci chladného vzduchu a spotřebič je pak méně účinný.
- Uspořádejte si potraviny a označte je tak, abyste zkrátili dobu otevření dveří a zamezili dlouhému hledání. Vyjměte najednou co nejvíce potravin a co nejdříve zavřete dveře.

POKYNY K OVLÁDÁNÍ

Ovládací panel



UPOZORNĚNÍ

Výše uvedený obrázek slouží pouze pro referenci. Skutečná konfigurace bude záviset na fyzickém výrobku nebo prohlášení distributora.

Tlačítko

A	Tlačítko nastavení teploty
---	----------------------------

Obrazovka displeje

1	Nastavení teploty 1
2	Nastavení teploty 2
3	Nastavení teploty 3
4	Nastavení teploty 4
5	Nastavení teploty 5
6	Nastavení teploty 6

CZ

Zobrazení

Při zapnutí chladničky se obrazovka displeje (včetně světel tlačítek) rozsvítí naplno na 3 s, poté bude chladnička pracovat podle nastavení teploty 3.

Zobrazení normálního chodu

V případě závady bude odpovídající indikátor LED kombinovaně zobrazovat kód závady (v opakujícím se zobrazení);

Pokud není přítomna žádná závada, bude indikátor LED zobrazovat stávající nastavení teploty.

UPOZORNĚNÍ

Skutečný ovládací panel se může u jednotlivých modelů lišit.

Pokyny k obsluze

Nastavení vypínačem

- Nastavení teploty se změní každým stisknutím tlačítka SET. Po 15 sekundách bude chladnička pracovat podle nové nastavené hodnoty.

Nastavení 1 → Nastavení 2 → Nastavení 3 → nastavení 4 → Nastavení 5 →
Nastavení 6 → Nastavení 1 →

Režim rychlého chlazení:

- Aktivace: Periodicky se opakující změna režimu rychlého chlazení.
- Provoz: Rozsvítí se indikátor rychlého chlazení a chladnička bude pracovat při teplotě 2 °C.
- Režim rychlého chlazení se po 24 hodinách automaticky ukončí.
- Funkci rychlého chlazení lze použít jako funkci super mrazení.

Nastavení manuálního regulátoru vzduchové klapy

- Otočte posuvník vzduchové klapy nahoru, skutečná teplota uvnitř prostoru mrazničky klesne. Otočte posuvník vzduchové klapy dolů, skutečná teplota uvnitř prostoru mrazničky stoupne.

TEPLOTA MRAZNIČKY

NEJCHLADNĚJŠÍ



CHLADNĚJŠÍ



CHLADNĚ



Chybový kód

- Následující výstrahy zobrazené na displeji indikují odpovídající závady chladničky. Přestože chladnička může při následujících poruchách stále poskytovat funkci chlazení a mrazení, uživatel musí požádat příslušného odborníka o údržbu, aby bylo možné chladničku používat běžným způsobem.

Kód chyby	Popis závady
Svítlí indikátor LED 1 a LED 2	Obvod senzoru teploty chladničky
Svítlí indikátor LED 1 a LED 3	Snímač odmrazování mrazničky
Svítlí indikátor LED 1 a LED 4	Senzor okolní teploty

UPOZORNĚNÍ

Poznámka: Funkce rychlého mrazení je určena k zachování nutriční hodnoty potravin v mrazničce. Pomocí ní lze zmrazit potraviny za nejkratší dobu. Pokud do mrazničky vkládáte větší množství potravin najednou, doporučuje se funkci rychlého mrazení zapnout a vložit potraviny. V tuto chvíli se rychlost mrazení v mrazicím prostoru zvýší. Potraviny se rychle zmrazí, efektivně se zachová jejich nutriční hodnota a usnadní skladování.

Chladicí oddíl

- Chladicí prostor je vhodný pro skladování celé řady ovoce, zeleniny, nápojů a jiných potravin s krátkou dobou spotřeby. Doporučená doba skladování je 3 až 5 dní.
- Vařené potraviny by měly být do chladicího oddílu vloženy až po zchladnutí na pokojovou teplotu.
- Před vložením potravin do chladničky se doporučuje, aby byly utěsněny.
- Skleněné police lze nastavit nahoru nebo dolů pro přiměřené množství úložného prostoru a snadné používání.

Mrazicí oddíl

- V mrazicím prostoru s nízkou teplotou lze uchovávat potraviny čerstvé po delší dobu. Prostor se využívá především ke skladování mražených potravin a ke tvorbě ledu.
- Mrazicí prostor je vhodný ke skladování masa, ryb, rýžových kuliček a jiných potravin, které se nezkonzumují během krátké lhůty.
- Kusy masa je lepší rozdělit na menší porce, aby se rychleji zmrazily a byl k nim snadný přístup. Upozorňujeme, že potraviny je nutné zkonzumovat do doby použitelnosti.

UPOZORNĚNÍ

Poznámka: Pokud byste do chladničky vložili po připojení k napájení během provozu příliš mnoho potravin, mohl by být nepříznivě ovlivněn mrazicí účinek.

Pořadí	Typ prostoru	Cílová skladovací teplota [°C]	Příslušná potravin
1	Chladnička	+2 ~ +8	Vejce, vařené potraviny, balené potraviny, ovoce a zelenina, mléčné výrobky, dorty, nápoje a další potraviny, které nejsou vhodné k mrazení.
2	(***)*-Mraznička	≤-18	Potraviny z moře (ryby, krevety, měkkýši), sladkovodní vodní produkty a produkty z masa (doporučeno po dobu 3 měsíců; čím delší doba, tím horší chuť a výživové hodnoty), vhodné pro zmrazené čerstvé potraviny.
3	***-Mraznička	≤-18	Potraviny z moře (ryby, krevety, měkkýši), sladkovodní vodní produkty a produkty z masa (doporučeno po dobu 3 měsíců; čím delší doba, tím horší chuť a výživové hodnoty), vhodné pro zmrazené čerstvé potraviny.
4	** -Mraznička	≤-12	Potraviny z moře (ryby, krevety, měkkýši), sladkovodní vodní produkty a produkty z masa (doporučeno po dobu 3 měsíců; čím delší doba, tím horší chuť a výživové hodnoty), vhodné pro zmrazené čerstvé potraviny.
5	*-Mraznička	≤-6	Potraviny z moře (ryby, krevety, měkkýši), sladkovodní vodní produkty a produkty z masa (doporučeno po dobu 3 měsíců; čím delší doba, tím horší chuť a výživové hodnoty), vhodné pro zmrazené čerstvé potraviny.
6	0 hvězdiček	-6 ~ 0	Čerstvé vepřové, hovězí, ryby, kuřecí, určité zabalené zpracované potraviny atd. (doporučeno sníst ten samý den, nejlépe ne později než za 3 dny). Částečně balené zpracované potraviny (potraviny, které nejsou určeny k mrazení).
7	Mrazicí prostor	-2 ~ +3	Čerstvé/mrazené vepřové, hovězí a kuřecí maso, výrobky ze sladkovodních ryb atd. (pod 0 °C mohou být potraviny uchovávány po 7 dnů, nad 0 °C se doporučuje potraviny zkonsumovat ve stejný den, nejlépe do maximálně 2 dnů), potraviny z moře (pod 0 °C po dobu 15 dnů, nedoporučuje se skladovat při teplotě nad 0 °C).
8	Čerstvé potraviny	0 ~ +4	Čerstvé vepřové, hovězí, ryby, kuřecí, vařené potraviny atd. (doporučeno sníst ten samý den, nejlépe ne později než za 3 dny).
9	Víno	+5 ~ +20	Červené víno, bílé víno, šumivé víno atd.

UPOZORNĚNÍ

Skladujte různé druhy potravin v jim příslušných prostorech nebo podle cílové skladovací teploty zakoupených výrobků.

ČIŠTĚNÍ A ÚDRŽBA

Celkové čištění

- Prach za chladničkou a na podlaze by měl být včas uklízen, aby se zlepšila účinnost chlazení a úspora energie.
- Pravidelně kontrolujte těsnění dveří, abyste se ujistili, že v něm nejsou nečistoty. Těsnění dveří čistěte pomocí měkkého hadříku navlhčeného ve vodě se saponátem nebo v naředěném čisticím prostředku.
- Vnitřní prostor chladničky je třeba pravidelně čistit, aby se zabránilo zápachu.
- Před čištěním vnitřního prostoru odpojte napájení, vyjměte potraviny, nápoje, police, šuplíky atd.
- Vyčistěte vnitřní prostor pomocí měkkého hadříku nebo houbičky a roztoku dvou polévkových lžic jedlé sody a přibližně jednoho litru teplé vody. Poté opláchněte vodou a otřete. Než připojíte napájení, otevřete po vyčištění dvířka a vnitřek nechte přirozeně uschnout.
- U oblastí, které se v chladničce obtížně čistí (jako jsou mezery nebo rohy), doporučujeme jejich pravidelné otírání měkkým hadříkem, měkkým kartáčem atd. V případě potřeby je zkombinujte s některými pomocnými nástroji (jako jsou tenké tyčinky), aby v těchto oblastech nedocházelo k hromadění kontaminantů nebo bakterií.
- Nepoužívejte saponát, čisticí prostředek, abrazivní prášek, čistič ve spreji atd., protože by mohly ve vnitřním prostoru chladničky způsobit zápach nebo kontaminaci potravin.
- Držák na lahve, police a zásuvky čistěte pomocí měkkého hadříku navlhčeného ve vodě se saponátem nebo v naředěném čisticím prostředku. Vysušte povrch měkkým hadříkem nebo jej nechte přirozeně oschnout.
- Vnější povrch chladničky otřete měkkým hadříkem navlhčeným ve vodě se saponátem, čisticím prostředkem atd. a poté jej osušte dosucha.
- K čištění povrchu a vnitřního prostoru chladničky nepoužívejte tvrdé kartáče, kovové drátěnky, drátěné kartáče, abrazivní látky (například zubní pasty), organická rozpouštědla (například alkohol, aceton, izoamylacetát atd.), vařící vodu, kyseliny ani alkalické látky, které by je mohly poškodit. Horká voda a organická rozpouštědla, jako je benzen, mohou způsobit deformaci nebo poškození plastových dílů.
- Během čištění neoplachujte přímo vodou ani jinými tekutinami, abyste předešli zkratům nebo nepoškodili elektrickou izolaci.

UPOZORNĚNÍ

Před odmrazováním a čištěním chladničku odpojte.

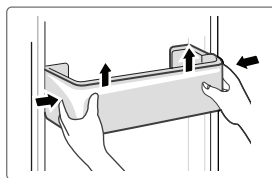
CZ

Odmrazování

- Chladnička je založena na principu chlazení vzduchem, má proto funkci automatického odmrazování. Námrazu, která se tvoří se změnou ročního období nebo teploty, lze odstranit také ručně odpojením spotřebiče od napájení nebo otřením suchou utěrkou.

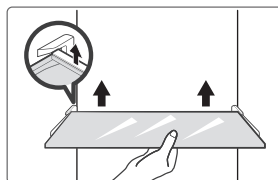
Čištění přihrádky ve dveřích

- Podle směru šipek na níže uvedeném obrázku stiskněte oběma rukama zásuvku, vytlačte ji nahoru a pak ji vyjměte.
- Po omytí přihrádky a jejím vyjmutí můžete nastavit její montážní výšku podle svých požadavků.



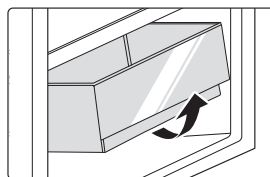
Čištění skleněné police

- V části obložení chladničky nejvíce vzadu, kde má police zarážku, nadzvedněte polici směrem nahoru a poté ji budete moci vytáhnout.
- Podle požadavků police nastavte nebo vyčistěte.



Čištění zásuvky na zeleninu

1. Vyjměte obsah zásuvky. Uchopte madlo zásuvky na zeleninu a zcela jej vytáhněte, dokud se nezastaví.
2. Zvedněte zásuvku na zeleninu nahoru a vytažením ji vyjměte.



Mimo provoz

Výpadek napájení:

Při výpadku napájení, a to dokonce i v létě, lze potraviny uvnitř spotřebiče uchovávat po několik hodin. Během výpadku napájení je nutné snížit četnost otevírání dveří a nevkładat do spotřebiče žádné další čerstvé potraviny.

Dlouhodobé nepoužívání:

Spotřebič je nutné odpojit od napájení a poté vyčistit. Dveře nechte otevřené, abyste zabránili vzniku zápachu.

Přemístování:

Než budete chladničku přesunovat, vyjměte všechny předměty, upevněte páskou skleněné části, držák na zeleninu, šuplíky mrazicího oddílu atd. Pak utáhněte vyrovnávací nožičky, zavřete dveře a připevněte je pomocí pásky. Během přemístování se spotřebič nesmí otočit vzhůru nohama ani do horizontální polohy ani nesmí být vystaven vibracím. Naklonění během přesunování nesmí přesáhnout 45°.

● UPOZORNĚNÍ

Po spuštění by měl být spotřebič v nepřetržitém chodu. Obecně by neměl být provoz spotřebiče přerušován. V opačném případě by mohla být ovlivněna jeho životnost.

ŘEŠENÍ PROBLÉMŮ

Uživatel může vyřešit následující jednoduché problémy. Pokud se problémy nepodaří vyřešit, zavolejte na poprodejní servisní oddělení.

Problém	Možná příčina
Spotřebič nelze uvést do provozu.	• Zkontrolujte, zda je spotřebič připojený k napájení a zda je zástrčka řádně zasunuta.
	• Zkontrolujte, zda není napětí příliš nízké.
	• Zkontrolujte, zda nedošlo k výpadku napájení nebo vynechávání některého okruhu.
Dochází k zápachu.	• Aromatické potraviny je nutné těsně zabalit.
	• Zkontrolujte, zda není nějaká potravina zkažená.
	• Vyčistěte vnitřní prostor chladničky.
Kompresor je spuštěn dlouho.	• Dlouhé spuštění kompresoru je normální v létě, nebo když je okolní teplota příliš vysoká.
	• Nedoporučuje se vkládat do spotřebiče příliš mnoho potravin najednou.
	• Než se potraviny do spotřebiče vloží, je nutné je zchladit.
Světlo nesvíí.	• Neotevírejte dveře příliš často.
	• Zkontrolujte, zda je chladnička připojena k napájení a zda není světlo poškozeno.
	• Nechte žárovku vyměnit specialistou.
Dveře nelze dostatečně zavřít.	• Dveře jsou zaseknuté o balíčky s jídlem.
	• Chladnička je nakloněna.
Jsou slyšet hlasité zvuky.	• Zkontrolujte, zda je podlaha rovná a zda je chladnička umístěna stabilně.
	• Zkontrolujte, zda je veškeré příslušenství na správném místě.

Problém	Možná příčina
Těsnění dveří nepřiléhá.	<ul style="list-style-type: none"> • Sejměte z těsnění dveří cizí nečistoty. • Zahřejte těsnění dveří a poté jej opět zchladte, aby se vrátilo do původního tvaru (například jej vyfoukejte elektrickým vysoušečem nebo k zahřátí použijte horký ručník).
Nádobka na vodu přetéká.	<ul style="list-style-type: none"> • V prostoru pro potraviny je příliš mnoho potravin nebo uložené potraviny obsahují příliš mnoho vody, což vede k silnému odmrazování. • Dveře nejsou řádně zavřeny, což vede k námraze kvůli přívodu vzduchu a většímu množství vody kvůli odmrazování.
Plášť chladničky je horký.	<ul style="list-style-type: none"> • Dochází k odvodu tepla vestavěného kondenzátoru přes kryt, což je normální. Zahřívá-li se kryt v důsledku vysoké okolní teploty a skladování příliš velkého množství potravin nebo se vypne kompresor, zajistěte dobré větrání, aby se usnadnil odvod tepla.
Na povrchu dochází ke kondenzaci.	<ul style="list-style-type: none"> • Kondenzace na vnějším povrchu a těsnění dveří chladničky je normální, když je okolní vlhkost příliš vysoká. Jednoduše kondenzát otřete čistou utěrkou.
Dochází k abnormálnímu hluku.	<ul style="list-style-type: none"> • Bzučení: Kompresor může během provozu bzučet a toto bzučení je hlasité zejména při spouštění a zastavování. Jedná se o normální jev. • Skřípot: Chladivo proudící vnitřkem spotřebiče může produkovat skřípot, což je normální jev.

DODATEK

Speciální poznámka pro novou evropskou normu

Díly k objednání v následující tabulce lze získat od poskytovatele servisu.

Díl k objednání	Kdo jej poskytuje	Minimální doba požadovaná k poskytování
Termostaty	Profesionální specialisté na údržbu	Nejméně 7 let od uvedení posledního modelu na trh
Teplotní senzory	Profesionální specialisté na údržbu	Nejméně 7 let od uvedení posledního modelu na trh
Desky plošných spojů	Profesionální specialisté na údržbu	Nejméně 7 let od uvedení posledního modelu na trh
Žárovky	Profesionální specialisté na údržbu	Nejméně 7 let od uvedení posledního modelu na trh
Madla dveří	Profesionální opraváři a koncoví uživatelé	Nejméně 7 let od uvedení posledního modelu na trh
Závěsy dveří	Profesionální opraváři a koncoví uživatelé	Nejméně 7 let od uvedení posledního modelu na trh
Zásuvky	Profesionální opraváři a koncoví uživatelé	Nejméně 7 let od uvedení posledního modelu na trh
Koše	Profesionální opraváři a koncoví uživatelé	Nejméně 7 let od uvedení posledního modelu na trh
Těsnění dveří	Profesionální opraváři a koncoví uživatelé	Nejméně 10 let od uvedení posledního modelu na trh

Vážení zákazníci,

1. Pokud chcete výrobek vrátit nebo vyměnit, obraťte se na obchod, kde jste jej zakoupili. (Nezapomeňte přinést stvrzenku)
2. Pokud dojde k poruše výrobku a je vyžadována oprava, obraťte se na poskytovatele poprodejních služeb.

UPOZORNĚNÍ

Informace o modelu v databázi výrobků lze stejně jako označení modelu získat prostřednictvím webového odkazu otevřeného naskenováním kódu QR na štítku energetické účinnosti výrobku (nachází-li se tam).

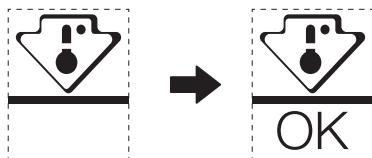
Informace o energetické účinnosti spotřebiče jsou uvedeny na webu <https://ec.europa.eu>, kde je vyhledáte podle názvu modelu.

Název modelu lze nalézt na typovém štítku spotřebiče.

Nejchladnější zóna chladničky

VOLITELNĚ: Indikátor OK-teploty

- Indikátor OK-teploty lze použít k určení teplot pod +4 °C. Pokud není na značce uvedeno „OK“, snižujte postupně teplotu.



- K zajištění teploty tohoto prostoru neměňte umístění police. U chladniček s nuceným oběhem vzduchu (vybavených ventilátorem nebo beznárazových) není symbol nejchladnější zóny uveden, protože teplota uvnitř je homogenní.

Nastavení indikátoru teploty

- Chladnička je vybavena indikátorem teploty, který monitoruje průměrnou teplotu nejchladnější zóny, aby vám to pomohlo chladničku dobře nastavit.
- VÝSTRAHA:** Tento indikátor je určen k fungování pouze s touto chladničkou. Nepoužívejte jej v jiné chladničce (nejchladnější zóny se ve skutečnosti liší) ani k žádnému jinému použití.

Kontrola teploty nejchladnější zóny

- Pomocí indikátoru teploty můžete pravidelně kontrolovat, že je teplota nejchladnější zóny správná. Vnitřní teplota chladničky ve skutečnosti závisí na několika faktorech, jako je okolní teplota v místnosti, množství uložených potravin a frekvence otevírání dveří. Vezměte tyto faktory při nastavování spotřebiče v úvahu.
- Pokud se na indikátoru zobrazuje „OK“, znamená to, že je termostat dobře nastaven a vnitřní teplota je správná.
- Pokud se indikátor teploty změní na BÍLOU barvu, znamená to, že je teplota příliš vysoká. V takovém případě zvyšte nastavení ovládání teploty chladničky a počkejte 12 hodin, než indikátor znovu vizuálně zkontrolujete. Je možné, že indikátor teploty změní dočasně barvu na BÍLOU, když vložíte čerstvé potraviny nebo když dveře zůstanou chvíli otevřené.

ĎAKOVNÝ LIST

Ďakujeme vám, že ste si vybrali značku Midea! Skôr, než budete svoj produkt značky Midea používať, dôkladne si tento návod prečítajte, aby ste mali istotu, ako bezpečným spôsobom používať vlastnosti a funkcie vášho nového spotrebiča.

OBSAH

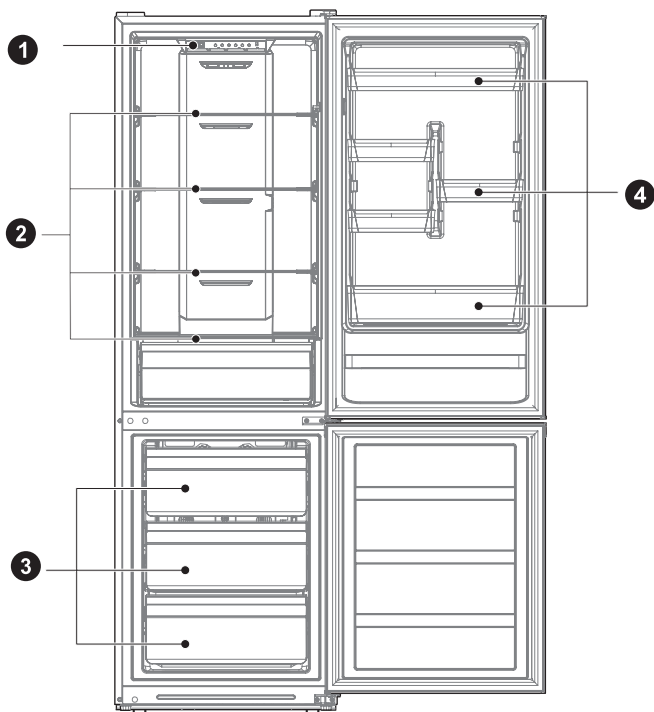
ĎAKOVNÝ LIST	01
ŠPECIFIKÁCIE	02
PREHĽAD YÝROBKU	03
INŠTALÁCIA PRODUKTU	04
POKYNY NA POUŽÍVANIE	11
ČISTENIE A ÚDRŽBA	15
ODSTRAŇOVANIE PROBLÉMOV	17
PRÍLOHA	19

ŠPECIFIKÁCIE

Produktový model	MDRB424FGE
Objem priestoru na uloženie čerstvých potravín	224 L
Objem priestoru na uloženie mrazených potravín	86 L
Typ rozmrazovania	Automatické rozmrazovanie
Čas zvýšenia teploty	8 h
Mraziaci výkon	3,9 kg/24 h
Menovité napätie/frekvencia	220-240V~/50Hz
Menovitý prúd	0,8 A
Celkové rozmery (V x Š x H)	1880 x 595 x 630 mm

PREHL'AD Y'ROBKU

Názvy dielov



1 LED svetlo

2 Polica

3 Zásuvka

4 Dverná zásuvka

UPOZORNENIE

Hore znázornený obrázok je len ilustračný. Skutočná konfigurácia závisí od reálneho výrobku alebo vyhlásenia distribútora

SK

INŠTALÁCIA PRODUKTU

Pokyny na inštaláciu

Pre chladiace zariadenia s klimatickou triedou

- V závislosti od klimatickej triedy je toto chladiace zariadenie určené na použitie pri teplote okolia uvedenej v nasledujúcej tabuľke.
- Klimatická trieda je uvedená na typovom štítku. Výrobok nemusí správne fungovať pri teplotách mimo uvedeného rozsahu.
- Klimatická trieda je uvedená na produktovom štítku.

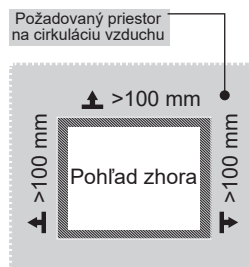
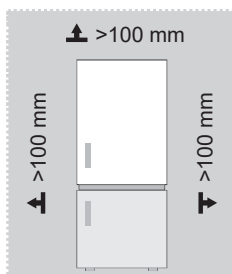
Efektívny rozsah teploty

- Výrobok je určený na bežnú prevádzku pri rozsahu teplôt podľa príslušnej klasifikačnej triedy.

Trieda	Symbol	Rozsah okolitej teploty v °C	
		IEC 62552 (ISO 15502)	ISO 8561
Rozšírená teplota	SN	+10 až +32	+10 až +32
Teplota	N	+16 až +32	+16 až +32
Subtrópy	ST	+16 až +38	+18 až +38
Trópy	T	+16 až +43	+18 až +43

Rozmery a odstupy

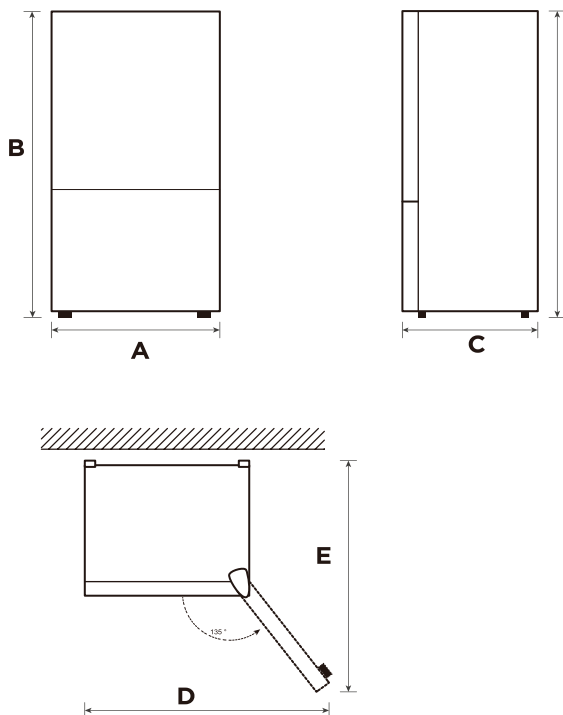
- Dôsledkom príliš malej vzdialenosti od susedných predmetov by mohlo byť zníženie mraziacej výkonnosti a zvýšenie nákladov za elektrinu. Pri inštalácii spotrebiča nechajte vzdialenosť viac ako 100 mm od každej susednej steny.



UPOZORNENIE

Hore znázornený obrázok je len ilustračný. Skutočná konfigurácia závisí od reálneho výrobku alebo vyhlásenia distribútora

Schéma priestorových nárokov (keď sú dvere otvorené a keď sú dvere zatvorené)



Šírka	Celková výška	Hĺbka	Šírka s dverami otvorenými na 135°	Hĺbka s dverami otvorenými na 135°
A	B	C	D	E
595	1880	630	988	1074

Upozornenie: Všetky rozmery sú v mm

SK

Výmena otvárania dvierok sprava doľava (voliteľné)

Podľa toho, na akom mieste plánujete používať svoju chladničku, môže byť pre vás pohodlnejšie, keď sa otváranie dvierok otočí.

VAROVANIE

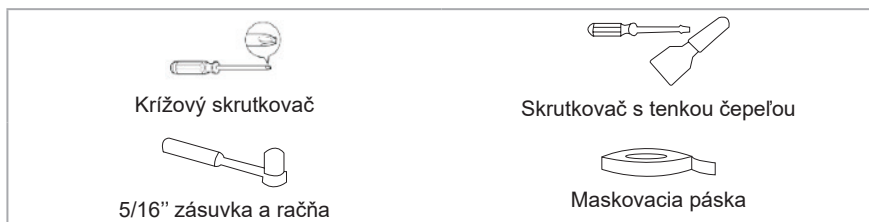
VAROVANIE: Aby ste predišli zraneniu alebo poškodeniu svojho majetku, odporúčame, aby vám niekto pri otáčaní otvárania dverí pomáhal.

Príprava na otočenie polohy dvierok

Budete potrebovať: Plochý skrutkovač, skrutkovač Phillips (krížový) a priložený maticový kľúč Allen.

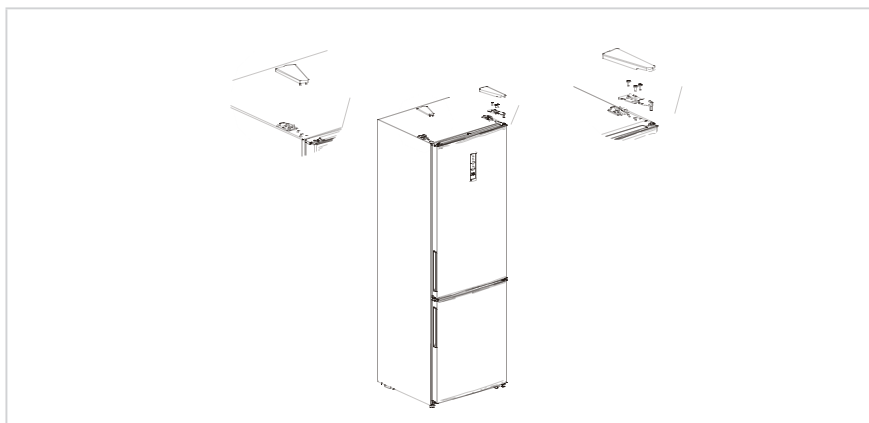
- Skontrolujte, či je chladnička odpojená od napájania a prázdna.
- Zavolajte si niekoho, kto vám bude pri práci pomáhať.
- Odložte si všetky diely, ktoré demontujete, aby ste ich neskôr mohli použiť.

Nástroje potrebné na výmenu dvierok:



Krok

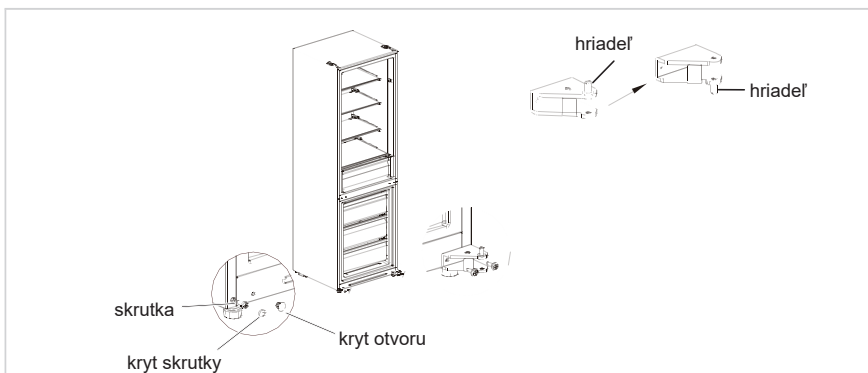
1. Vypnite chladničku a vytiahnite všetky veci zo zásobníkov na dverách.
2. Demontujte kryt horného pántu, odpojte signálne vodiče, horný pánt a uzáver otvoru na druhej strane, odnímate dvierka chladničky.



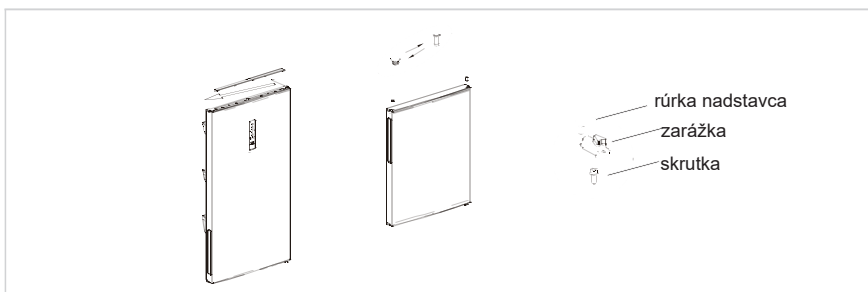
3. Rozoberte prostredný pánt, príslušné skrutky, kryty otvorov skrutiek a odoberte dvierka mrazničky.



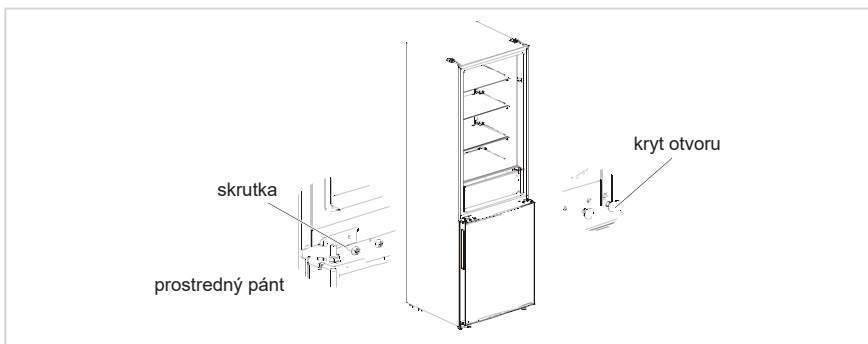
4. Odoberte dolný pánt, kryty otvorov a skrutky, nainštalujte hriadeľ dolného pántu na opačnej strane dolného pántu, a potom nainštalujte pánt na opačnej strane.



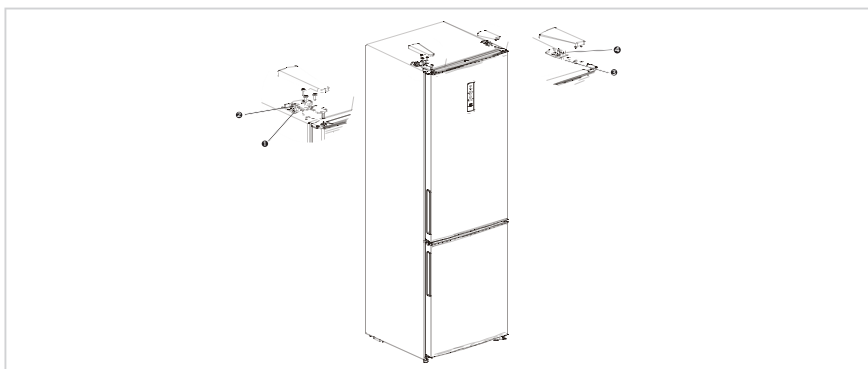
5. Demontujte skrutky, objímku a zarážku na spodnom koncovom kryte dvoch korpusov dverí a nainštalujte ich postupne na druhú stranu korpusov dverí (zátku je potrebné vymeniť z prídavného vrečka). Potom odoberte horný koncový kryt dverí chladničky a presuňte káblový zväzok s rúrkou nadstavca na druhú stranu dverí. Nakoniec nainštalujte rúrkou nadstavca horného pántu dverí chladničky v otvore na druhej strane horného koncového krytu na dverách chladničky.



6. Vložte dvere mrazničky na spodný pánt, namontujte stredný pánt, skrutky a a viečka otvorov pre skrutky.



7. Umiestnite teleso dverí pre chladiaci priestor na stredný pánt, potom nainštalujte horný pánt na druhú stranu skrinky, nakoniec pripojte svorky 1, 2 pre signálne vodiče na strane horného pántu a svorky 3, 4 na druhú stranu a zakryte kryt závesu a kryt otvoru.



● UPOZORNENIE

Hore znázornený obrázok je len ilustračný. Skutočná konfigurácia závisí od reálneho výrobu alebo vyhlásenia distribútora.

Umiestnenie

- Pred použitím odstráňte z chladničky všetok obalový materiál vrátane spodných vankúšov, penových podložiek a pásov. Odtrhnite ochrannú fóliu na dverách a tele chladničky.
- Držte mimo dosahu tepla a priameho slnečného svetla. Neumiestňujte mrazničku na vlhké ani vodnaté miesta, aby ste zabránili hrdzaveniu alebo zníženiu izolačného účinku.
- Nestriekajte a neoplachujte chladničku; nedávajte chladničku na vlhké miesta, ktoré môžu byť ľahko postriekané vodou, aby nedošlo k ovplyvneniu elektrických izolačných vlastností chladničky.
- Chladnička je umiestnená na dobre vetranom interiérovom mieste; Podklad musí byť rovný a pevný (otočením doľava alebo doprava nastavte vyrovnávacie koliesko, ak je nestabilné).



Vyrovnávacia noha

Prístroj sa musí vyrovnáť, aby nedochádzalo k vibráciám.

Podľa potreby nastavte vyrovnávacie skrutky tak, aby kompenzovali nerovnosti podlahy.

Predná strana by mala byť o niečo vyššie ako zadná, aby sa uľahčilo zatváranie dveriek.

Vyrovnávacie skrutky sa dajú ľahko otáčať po miernom naklonení skrine.

Otáčaním vyrovnávacích skrutiek proti smeru hodinových ručičiek  sa prístroj zdvihne, v smere hodinových ručičiek  sa spustí.

Premiestňovanie spotrebiča

1. Vyberte všetky potraviny zvnútra spotrebiča.
2. Vytiahnite zástrčku napájania zo zásuvky, zaveste ju na určený háčik na zadnej alebo hornej strane spotrebiča a upevnite ju.
3. Pohyblivé diely ako poličky a rukoväti dveriek upevnite páskou, aby pri premiestňovaní nevypadli.
4. Spotrebič premiestňujte opatrne a využite pomoc aspoň dvoch osôb. Keď prepravujete spotrebič na väčšiu vzdialenosť, udržiajte ho v zvislej polohe.
5. Po umiestnení spotrebiča zasuňte zástrčku napájania do zásuvky, aby ste mohli spotrebič zapnúť.

UPOZORNENIE

Preventívne opatrenia pred použitím:

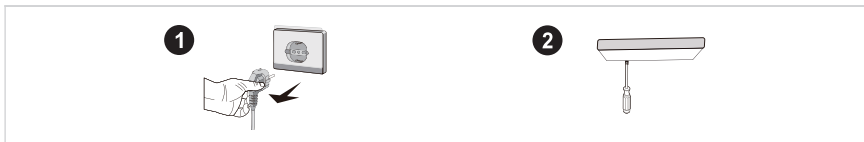
Pred vykonávaním zmien sa chladnička musí odpojiť od napájania a musí sa dbať na preventívne opatrenia, aby nedošlo k zraneniu osôb.

Výmena svetla

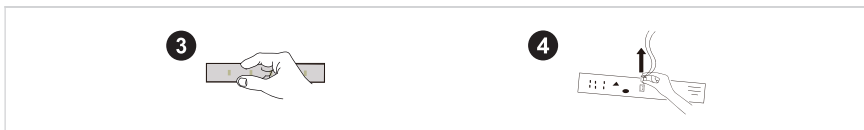
- Všetky výmeny alebo údržbu LED svetiel musí robiť výrobca, jeho servisný zástupca alebo podobne kvalifikovaná osoba. Tento výrobok obsahuje svetelný zdroj s energetickou triedou účinnosti <F>.

Krok

1. Pred odstránením vytiahnite zástrčku.
2. Odstráňte tienidlo pomocou skrutkovača



3. Dajte dolu panel žiarovky.
4. Odstráňte pripojovaciu svorku.



Pripojenie spotrebiča

Pred prvým spustením nechajte chladničku stáť pol hodiny, až potom ju zapojte do elektrickej zásuvky.

UPOZORNENIE

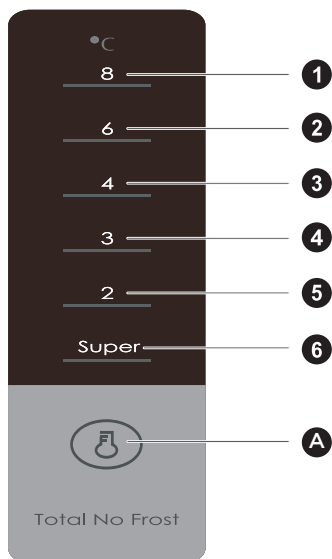
Pred vložením akýchkoľvek čerstvých alebo mrazených potravín musí byť chladnička v prevádzke 2 až 3 hodiny alebo v lete viac ako 4 hodiny (keď je okolitá teplota vysoká).

Rady na úsporu energie

- Spotrebič by mal byť umiestnený na najchladnejšom mieste miestnosti, mimo dosah zariadení produkujúcich teplo alebo vykurovacích potrubí a mimo priameho slnečného žiarenia.
- Pred vložením do spotrebiča nechajte teplé jedlá vychladnúť na izbovú teplotu. Preťaženie spotrebiča núti kompresor pracovať dlhšie. Potraviny, ktoré mrazia príliš pomaly, môžu stratiť kvalitu alebo sa pokaziť.
- Nezabudnite potraviny správne zabaliť a nádoby pred vložením do spotrebiča utrieť do sucha. Toto obmedzuje tvorbu námrazy vo vnútri spotrebiča.
- Úložný box spotrebiča nemá byť obložený hliníkovou fóliou, voskovým papierom ani papierovými utierkami. Vložky narúšajú cirkuláciu studeného vzduchu, čo znižuje účinnosť spotrebiča.
- Usporiadajte a označte jedlo tak, aby ste obmedzili otváranie dverí a dlhšie hľadanie. Vyberte naraz toľko predmetov, koľko potrebujete, a čo najskôr zatvorte dvere.

POKYNY NA POUŽÍVANIE

Ovládací panel



UPOZORNENIE

Hore znázornený obrázok je len ilustračný. Skutočná konfigurácia závisí od reálneho výrobku alebo vyhlásenia distribútora.

Tlačidlo

A	Tlačidlo na nastavenie teploty
---	--------------------------------

Displej

1	nastavenie teploty 1
2	nastavenie teploty 2
3	nastavenie teploty 3
4	nastavenie teploty 4
5	nastavenie teploty 5
6	nastavenie teploty 6

SK

Displej

Po zapnutí napájania chladničky sa obrazovka displeja (vrátane osvetlenia tlačidiel) na 3 s naplno rozsvieti, potom chladnička pobeží podľa nastavenia teploty 3.

Displej pri normálnej činnosti:

V prípade poruchy sa rozsvietením kombinácie príslušných LED zobrazí chybový kód (zobrazuje sa cyklicky).

Ak sa chyba nevyskytne, kontrolky LED budú zobrazovať reálne nastavenie teploty.

UPOZORNENIE

Skutočný ovládací panel sa môže na jednotlivých modeloch líšiť.

Pokyny na používanie

Nastavenie rýchlosti chladenia

- Nastavenie teploty sa bude meniť vždy po stlačení klávesu SET. Chladnička bude potom pracovať podľa hodnoty nového nastavenia po 15 s.

Nastavenie 1 → Nastavenie 2 → Nastavenie 3 → Nastavenie 4 → Nastavenie 5 →
Nastavenie 6 → Nastavenie 1 →

Režim rýchleho chladenia:

- Vstúpiť: Režim s rýchlou cirkuláciou chladiaceho média.
- Použitie: Indikátor rýchleho chladenia sa rozsvieti a chladnička pobeží pri 2 °C.
- Režim rýchleho chladenia sa automaticky na 24 hodín deaktivuje.
- Režim rýchleho chladenia je možné použiť na funkciu rýchleho zmrazovania.

Nastavenie manuálneho vzduchového regulátora

- Posunutím manuálneho vzduchového regulátora nahor sa skutočná teplota vnútri mraziaceho oddelenia zníži, posunutím vzduchového regulátora nadol sa skutočná teplota vnútri mraziaceho oddelenia zvýši.

TEPLOTA V MRAZIČKE

NAJCHLADNEJŠIA



CHLADNEJŠIA



CHLADNÁ



Kód chyby

- Nasledujúce výstrahy zobrazené na displeji označujú zodpovedajúce poruchy chladničky. Aj keby si chladnička s nasledujúcimi chybami zachovala chladiacu a mraziacu funkciu, používateľ by sa mal obrátiť na špecialistu údržby a požiadať o opravu, aby sa zabezpečilo normálne používanie chladničky.

Kód chyby	Popis chyby
Svieti LED 1 a LED 2	Snímač teploty okruhu chladničky
Svieti LED 1 a LED 3	Snímač rozmrazenia mrazičky
Svieti LED 1 a LED 4	Snímač okolitej teploty

UPOZORNENIE

Poznámka: Funkcia rýchleho mrazenia je navrhnutá tak, aby zachovala nutričné hodnoty potravín v mrazičke. Dokáže zmraziť jedlo v najkratšom čase. Ak zmrazujete veľké množstvo potravín naraz, odporúča sa, aby používateľ zapol funkciu rýchleho mrazenia a vložil potraviny. V tomto čase sa zvýši rýchlosť mrazenia mraziacej priehradky, čo môže rýchlo zmraziť potraviny, efektívne uchovať nutričné hodnoty potravín a uľahčiť skladovanie.

Chladiaca komora

- Chladiaca komora je vhodná na skladovanie najrôznejších druhov ovocia, zeleniny, nápojov a iných potravín konzumovaných v krátkodobom horizonte, odporúčaná doba skladovania sú 3 až 5 dní.
- Varené jedlo sa nesmie dávať do chladiacej komory, kým nevychladne na izbovú teplotu.
- Pred vložením do chladničky sa odporúča potraviny uzavrieť.
- Sklenené police je možné nastaviť nahor alebo nadol, aby poskytovali vhodný úložný priestor a ľahko sa používali.

Mraziaca komora

- Nízokoteplotná mraziaca komora môže udržiavať potraviny čerstvé dlho a používa sa hlavne na skladovanie mrazených potravín a výrobu ľadu.
- Mraziaca komora je vhodná na uskladnenie mäsa, rýb, ryžových gulôčok a iných potravín, ktoré nebudú konzumované v krátkej dobe.
- Kusy mäsa by sa mali prednostne rozdeliť na malé kúsky pre rýchle zmrazenie a ľahký prístup. Upozorňujeme, že jedlo musí byť spotrebované v priebehu času.

UPOZORNENIE

Poznámka: Skladovanie príliš veľkého množstva potravín počas prevádzky po prvom pripojení k napájaniu môže nepriaznivo ovplyvniť mraziaci účinok chladničky.

Poradie	TYP priehradky	Cieľová skladovacia tepl. [°C]	Vhodné potraviny
1	Chladnička	+2 ~ +8	Vajička, varené potraviny, balené potraviny, ovocie a zelenina, mliečne výrobky, zákusky, nápoje a iné potraviny nevhodné na zmrazenie.
2	(***)*-Mraznička	≤-18	Morské plody (ryby, krevety, mäkkýše), produkty zo sladkovodných vôd a mäsové výrobky (odporúča sa 3 mesiace, čím dlhšia doba skladovania, tým horšia chuť a výživná hodnota), vhodné na mrazené čerstvé potraviny.
3	***-Mraznička	≤-18	Morské plody (ryby, krevety, mäkkýše), produkty zo sladkovodných vôd a mäsové výrobky (odporúča sa 3 mesiace, čím dlhšia doba skladovania, tým horšia chuť a výživná hodnota), vhodné na mrazené čerstvé potraviny.
4	** -Mraznička	≤-12	Morské plody (ryby, krevety, mäkkýše), produkty zo sladkovodných vôd a mäsové výrobky (odporúča sa 3 mesiace, čím dlhšia doba skladovania, tým horšia chuť a výživná hodnota), vhodné na mrazené čerstvé potraviny.
5	*-Mraznička	≤-6	Morské plody (ryby, krevety, mäkkýše), produkty zo sladkovodných vôd a mäsové výrobky (odporúča sa 3 mesiace, čím dlhšia doba skladovania, tým horšia chuť a výživná hodnota), vhodné na mrazené čerstvé potraviny.
6	0 hviezdíček	-6 ~ 0	Čerstvé bravčové, hovädzie, ryby, kuracie mäso, niektoré balené spracované potraviny atď. (odporúča sa zjesť v ten istý deň, najlepšie nie viac ako 3 dni). Čiastočne uzavreté spracované potraviny (potraviny, ktoré sa nezmrazujú).
7	Okolo nuly	-2 ~ +3	Čerstvé/mrazené bravčové, hovädzie, hydina, produkty z čistej vody atď. (7 dní pod 0 °C a nad 0 °C sa odporúča skonzumovať ešte v ten istý deň, ideálne nie dlhšie ako 2 dni). Morské plody (pod 0 na 15 dní, nie je vhodné skladovať nad 0 °C).
8	Čerstvé potraviny	0 ~ +4	Čerstvé bravčové, hovädzie, ryby, kuracie mäso, varené jedlo atď. (Odporúča sa jesť v ten istý deň, najlepšie nie dlhšie ako 3 dni)
9	Víno	+5 ~ +20	Červené víno, biele víno, šumivé víno atď.

UPOZORNENIE

rozičné potraviny, ktoré si zakúpite, skladujte v rôznych priehradkách alebo podľa cieľovej skladovacej teploty.

ČISTENIE A ÚDRŽBA

Celkové čistenie

- Prach za chladničkou a na zemi sa musí včas vyčistiť, aby sa zlepšil chladiaci efekt a úspora energie.
- Pravidelne kontrolujte tesnenie dverí, či tam nie sú nečistoty. Vyčistíte tesnenie dverí mäkkou handričkou navlhčenou mydlovou vodou alebo zriedeným saponátom.
- Vnútro chladničky je potrebné pravidelne čistiť, aby nepáchla.
- Pred čistením interiéru vypnite napájanie, vyťahnite všetky potraviny, nápoje, poličky, zásuvky atď.
- Mäkkou handričkou alebo špongiou vyčistíte vnútro chladničky roztokom z dvoch polievkových lyžíc sódy bikarbóny a litra teplej vody. Potom opláchnite vodou a dočista utrite. Po vyčistení otvorte dvere a pred opätovným zapnutím nechajte prirodzene vyschnúť.
- Na oblasti, ktoré sa v chladničke ťažko čistia (napríklad úzke štrbiny, medzery alebo rohy) sa odporúča pravidelne ich otrieť mäkkou handrou, mäkkou kefou atď. A podľa potreby to skombinovať s niektorými pomocnými nástrojmi (ako napr. tenké tyčinky), aby sa zabezpečilo, že sa v týchto miestach nebudú hromadiť kontaminanty ani baktérie.
- Nepoužívajte mydlo, saponát, čistiaci prášok, sprejový čistič atď., pretože by mohli spôsobiť zápach vo vnútri chladničky alebo kontaminovať potraviny.
- Vyčistíte rám na fľaše, poličky a zásuvky mäkkou handričkou navlhčenou mydlovou vodou alebo zriedeným saponátom. Vysušte mäkkou handričkou, prípadne nechajte prirodzene vyschnúť.
- Vonkajší povrch chladničky utrite mäkkou handričkou navlhčenou mydlovou vodou, saponátom atď., a potom utrite dosucha.
- Nepoužívajte tvrdé kefy, čistiace oceľové guľôčky, drôtené kefy, abrazívne prostriedky (napríklad zubné pasty), organické rozpúšťadlá (napríklad alkohol, acetón, banánový olej atď.), vriacu vodu, kyslé ani zásadité predmety, ktoré môžu poškodiť povrch chladničky a interiér. Vriaca voda a organické rozpúšťadlá, ako je benzén, môžu deformovať alebo poškodiť plastové časti.
- Počas čistenia neoplachujte priamo vodou ani inými tekutinami, aby ste predišli skratom a neovplyvnili elektrickú izoláciu ponorením do tekutiny.

UPOZORNENIE

Pred rozmrazovaním a čistením chladničku odpojte.

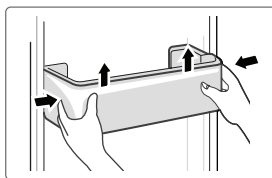
Odmrazovanie

- Chladnička je vyrobená na princípe chladenia vzduchom a má teda funkciu automatického odmravovania. Námrazu vytvorenú v dôsledku zmeny ročného obdobia alebo teploty je možné odstrániť aj ručne odpojením spotrebiča od napájania alebo utretím suchým uterákom.

Čistenie zásobníka na dverách

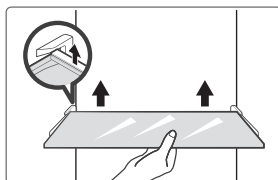
- Podľa smerovej šípky na obrázku nižšie stlačte zásobník dvoma rukami a vytlačte ho smerom hore, aby sa dal vytiahnuť.
- Po umytí bola zásuvka vytiahnutá,

môžete nastaviť jej inštalovanú výšku podľa svojich požiadaviek.



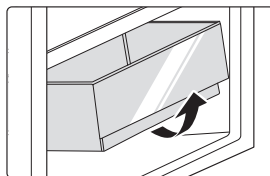
Čistenie sklenených polic

- Pretože najvnútornejšia časť vložky chladničky, v ktorej je kontakt s policami, má spätný doraz, zdvihnete police smerom hore a potom ju budete môcť vybrať.
- Upravte alebo vyčistite poličky podľa svojich potrieb.



Čistenie priehradky na zeleninu

1. Vyberte obsah priehradky. Držte rukoväť priehradky na zeleninu a úplne ju vytiahnite, kým sa nezastaví.
2. Zdvihnite priehradku na zeleninu nahor a ťahom ju vyberte von.



Mimo prevádzku

Výpadok energie:

V prípade výpadku prúdu (aj v lete), môžete potraviny vo vnútri spotrebiča uchovávať niekoľko hodín. Počas výpadku energie je potrebné redukovať počet otvorení dverí a do spotrebiča sa už nesmú dávať čerstvé potraviny.

Dlhodobé nepoužívanie:

Spotrebič je potrebné odpojiť a vyčistiť. Dvere treba nechať otvorené, aby nevznikal zápach.

Presúva sa:

Pred premiestnením chladničky vytiahnite von všetky predmety, zafixujte páskou sklenené priečky, držiak na zeleninu, zásuvky mraziacej komory atď. a zatahnite vyrovnávacie nožičky. Zatvorte dvere a zafixujte ich páskou. Počas premiestňovania nesmie byť spotrebič položený hore dnom ani vodorovne, nesmie ani vibrovať. Sklon počas premiestňovania nesmie byť väčší ako 45°.

UPOZORNENIE

Po spustení musí spotrebič bežať nepretržite. Prevádzka spotrebiča sa spravidla nesmie prerušiť, inak by sa mohla znížiť jeho životnosť.

ODSTRAŇOVANIE PROBLÉMOV

Nasledujúce jednoduché problémy dokáže vyriešiť samotný používateľ. Ak sa problémy nepodarí vyriešiť, obráťte sa na oddelenie popredajných služieb.

Problém	Možná príčina
Porucha prevádzky	<ul style="list-style-type: none">• Skontrolujte, či je spotrebič zapojený do zásuvky a či má zástrčka dobrý kontakt.
	<ul style="list-style-type: none">• Skontrolujte, či nie je napätie nízke.
	<ul style="list-style-type: none">• Skontrolujte, či nedošlo k výpadku napájania alebo či nedošlo k poruche čiastkových obvodov.
Zápach	<ul style="list-style-type: none">• Zapáchajúce potraviny je potrebné tesne uzavrieť.
	<ul style="list-style-type: none">• Skontrolujte, či v chladničke nie sú zhnité potraviny.
	<ul style="list-style-type: none">• Vyčistite vnútro chladničky.
Dlhodobá prevádzka kompresora	<ul style="list-style-type: none">• Dlhá prevádzka chladničky je normálna v lete, keď je okolitá teplota vysoká.
	<ul style="list-style-type: none">• Neodporúča sa mať v spotrebiči súčasne príliš veľa jedla.
	<ul style="list-style-type: none">• Jedlo musí byť pred vložením do spotrebiča vychladnuté.
	<ul style="list-style-type: none">• Dvere sa otvárajú príliš často.
Svetlá nesvietia	<ul style="list-style-type: none">• Skontrolujte, či je chladnička pripojená k zdroju napájania a či nie je poškodený svetelný indikátor.
	<ul style="list-style-type: none">• Svetlo musí vymieňať odborník.
Je možné, že dvierka nie sú dobre zatvorené	<ul style="list-style-type: none">• Dvierka sú zablokované balíkmi jedla
	<ul style="list-style-type: none">• Chladnička je naklonená.
Hlasné zvuky	<ul style="list-style-type: none">• Skontrolujte, či je podlaha rovná a či je chladnička umiestnená stabilne.
	<ul style="list-style-type: none">• Skontrolujte, či je príslušenstvo umiestnené na správnom mieste.

Problém	Možná příčina
Dvere netesnia	<ul style="list-style-type: none"> • Odstráňte cudzorodé predmety z tesnenia dverí. • Zahrejte tesnenie dverí a potom ho ochlaďte na obnovenie (alebo ho oúfkните fénom alebo na zahriatie použite horúci uterák).
Pretečenie zásobníka na vodu	<ul style="list-style-type: none"> • V komore je príliš veľa jedla alebo skladované potraviny obsahujú príliš veľa vody, čo vedie k silnému rozmrazovaniu. • Dvere nie sú správne zatvorené, čo vedie k zamrznutiu v dôsledku vstupu vzduchu a zvýšeniu množstva vody v dôsledku rozmrazovania.
Horúci povrch	<ul style="list-style-type: none"> • Cez kryt dochádza k vyžarovaniu tepla zo vstavaného kondenzora, toto je normálne. Ak sa kryt spotrebiča rozhorúči kvôli vysokej teplote prostredia, nie je vhodné skladovať príliš veľa potravín, lebo kompresor sa môže vypnúť. Uľahčite rozptyl tepla vhodným vetraním.
Kondenzácia na povrchu	<ul style="list-style-type: none"> • Kondenzácia na vonkajšom povrchu a tesnení dverí chladničky je normálna, keď je okolitá vlhkosť príliš vysoká. Jednoducho utrite kondenzát čistým uterákom.
Nezvyčajný hluk	<ul style="list-style-type: none"> • Bzučanie: Kompresor môže počas prevádzky vydávať bzučanie a tieto zvuky sú hlasné, najmä pri štarte alebo zastavení. Je to normálny jav. • Vŕzganie: Chladivo prúdiace vo vnútri spotrebiča môže vydávať vŕzganie, čo je normálne.

PRÍLOHA

Špeciálne pre novú európsku normu

V nasledujúcej tabuľke sú uvedené diely, ktoré je možné objednať prostredníctvom poskytovateľa servisu.

Objednávaný diel	Poskytuje	Minimálny čas potrebný na poskytnutie
Termostaty	Profesionálny pracovník údržby	Najmenej 7 rokov po uvedení posledného modelu na trh
Snímače teploty	Profesionálny pracovník údržby	Najmenej 7 rokov po uvedení posledného modelu na trh
Dosky s plošnými spojmi	Profesionálny pracovník údržby	Najmenej 7 rokov po uvedení posledného modelu na trh
Svetelný zdroj	Profesionálny pracovník údržby	Najmenej 7 rokov po uvedení posledného modelu na trh
Rukováti dverí	Profesionálni opravári a koncoví používatelia	Najmenej 7 rokov po uvedení posledného modelu na trh
Pánty dverí	Profesionálni opravári a koncoví používatelia	Najmenej 7 rokov po uvedení posledného modelu na trh
Podnosy	Profesionálni opravári a koncoví používatelia	Najmenej 7 rokov po uvedení posledného modelu na trh
Košé	Profesionálni opravári a koncoví používatelia	Najmenej 7 rokov po uvedení posledného modelu na trh
Tesnenia dverí	Profesionálni opravári a koncoví používatelia	Najmenej 10 rokov po uvedení posledného modelu na trh

Vážení zákazníci,

1. Ak chcete výrobok vrátiť alebo vymeniť, obráťte sa na obchod, v ktorom ste ho kúpili. (Nezabudnite priniesť doklad o zakúpení)
2. Ak sa váš výrobok pokazí a je potrebné ho opraviť, kontaktujte poskytovateľa popredajného servisu.

UPOZORNENIE

Informácie o modeli v databáze produktov a identifikátor modelu je možné získať prostredníctvom webového prepojenia naskenovaného pomocou kódu QR, ak je uvedený na štítku energetickej účinnosti výrobku.

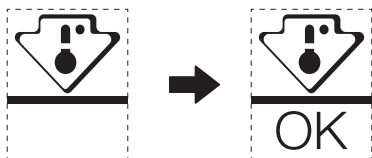
Ďalšie informácie o energetickej účinnosti spotrebiča nájdete na stránke <https://ec.europa.eu> a vyhľadajte si podrobnosti podľa názvu modelu.

Názov modelu sa nachádza na typovom štítku spotrebiča.

Najchladnejšia zóna v chladničke

VOLITEL'NÝ DOPLNOK: indikátor teploty – OK

- Indikátor teploty – OK je možné použiť na určenie, či je teplota pod +4 °C. Teplotu je možné postupne znižovať, ak indikátor nezobrazuje „OK“.



- Ak chcete zaistiť teplotu v tejto oblasti, nemeňte umiestnenie police. Pre chladničky s núteným obehom vzduchu (vybavené ventilátorom alebo modely bez mrazenia) symbol najchladnejšej zóny nie je znázornený, pretože teplota vo vnútri je homogénna.

Nastavenie indikátora teploty

- V rámci dobrého nastavenia je chladnička vybavená indikátorom teploty, ktorý bude sledovať priemernú teplotu v najchladnejšej zóne.
- VÝSTRAHA:** Tento indikátor je určený len pre vašu chladničku, nepoužívajte ho v inej chladničke (v skutočnosti najchladnejšia zóna nie je rovnaká) ani na žiadne iné účely.

Overenie teploty v najchladnejšej zóne

- Vďaka indikátoru teploty môžete pravidelne kontrolovať, či je teplota v najchladnejšej zón správna. Vnútna teplota chladničky v skutočnosti závisí od niekoľkých faktorov, ako je teplota okolia v miestnosti, množstvo uložených potravín a frekvencia otvárania dverí. Pri nastavení spotrebiča zoberte tieto faktory do úvahy.
- Keď indikátor ukazuje «OK», znamená to, že termostat je dobre nastavený a vnútorná teplota je správna.
- Ak sa indikátor teploty zmení na BIELY, znamená to, že teplota je príliš vysoká; v takom prípade zvýšte nastavenie ovládania teploty chladničky a počkajte 12 hodín pred vykonaním novej vizuálnej kontroly indikátora. Po vložení čerstvých potravín alebo ponechaní otvorených dvierok je možné, že sa ukazovateľ teploty po chvíli zmení na BIELY.



make yourself at home



www.midea.com

© Midea 2022 all rights reserved