

MICROWAVE OVEN

USER MANUAL

**AG20CF2E
AG20CF2EBK**

Warning notices: Before using this product, please read this manual carefully and keep it for future reference. The design and specifications are subject to change without prior notice for product improvement. Consult with your dealer or manufacturer for details.

The diagram above is just for reference. Please take the appearance of the actual product as the standard.

LANGUAGES

EN English

DE German

IT Italy

ES Spanish

PL Poland

RO Romania

EL Greece

PT Portugal

CZ Czech Republic

HU Hungary

SR Serbia

BG Bulgaria

HR Croatia

LT Lithuani

SL Slovenian

THANK YOU LETTER

Thank you for choosing Midea! Before using your new Midea product, please read this manual thoroughly to ensure that you know how to operate the features and functions that your new appliance offers in a safe way.

CONTENTS

EN

THANK YOU LETTER	EN-01
SAFETY INSTRUCTIONS	EN-02
SPECIFICATION	EN-11
PRODUCT OVERVIEW	EN-12
PRODUCT INSTALLATION	EN-14
OPERATION INSTRUCTIONS	EN-15
CLEANING AND MAINTENANCE	EN-21
TROUBLE SHOOTING	EN-22
TRADEMARKS, COPYRIGHTS AND LEGAL STATEMENT	EN-23
DISPOSAL AND RECYCLING	EN-24
DATA PROTECTION NOTICE	EN-25

SAFETY INSTRUCTIONS

Intended Use

The following safety guidelines are intended to prevent unforeseen risks or damage from unsafe or incorrect operation of the appliance. Please check the packaging and appliance on arrival to make sure everything is intact to ensure safe operation. If you find any damage, please contact the retailer or dealer. Please note modifications or alterations to the appliance are not allowed for your safety concern. Unintended use may cause hazards and loss of warranty claims.

EN

Explanation of Symbols



Danger

This symbol indicates that there are dangers to the life and health of persons due to extremely flammable gas.



Warning of electrical voltage

This symbol indicates that there is a danger to life and health of persons due to voltage.



Warning

The signal word indicates a hazard with a medium level of risk which, if not avoided, may result in death or serious injury.



Caution

The signal word indicates a hazard with a low degree of risk which, if not avoided, may result in minor or moderate injury.



Attention

The signal word indicates important information (e.g. damage to property), but not danger.



Observe instructions

This symbol indicates that a service technician should only operate and maintain this appliance in accordance with the operating instructions.

Read these operating instructions carefully and attentively before using/commissioning the unit and keep them in the immediate vicinity of the installation site or unit for later use!

Precautions To Avoid Possible Exposure To Excessive Microwave Energy

- a. Do not attempt to operate this oven with the door open since this can result in harmful exposure to microwave energy. It is important not to break or tamper with the safety interlocks.
- b. Do not place any object between the oven front face and the door or allow soil or cleaner residue to accumulate on sealing surfaces.
- c. **WARNING:** If the door or door seals are damaged, the oven must not be operated until it has been repaired by a competent person.

EN

Addendum

If the apparatus is not maintained in a good state of cleanliness, its surface could be degraded and affect the lifespan of the apparatus and lead to a dangerous situation.

Important Safety Instructions

⚠ WARNING

To reduce the risk of fire, electric shock, injury to persons or exposure to excessive microwave oven energy when using your appliance, follow basic precautions, including the following:

- Read and follow the specific: "PRECAUTIONS TO AVOID POSSIBLE EXPOSURE TO EXCESSIVE MICROWAVE ENERGY".
- This appliance can be used by children aged 8 years and above and persons with reduced physical, sensory or mental capabilities or lack of experience and knowledge if they have been given supervision or instruction concerning use of the appliance in a safe way and understand the hazards involved. Children shall not play with the appliance. Cleaning and user maintenance shall not be made by children without supervision.
- Keep the appliance and its cord out of reach of children less than 8 years old.
- If the supply cord is damaged, it must be replaced by the manufacturer, its service agent or similarly qualified persons in order to avoid a hazard.
- **WARNING:** Ensure that the appliance is switched off before replacing the lamp to avoid the possibility of electric shock.

- WARNING: It is hazardous for anyone other than a competent person to carry out any service or repair operation that involves the removal of a cover which gives protection against exposure to microwave energy.
- WARNING: Liquids and other foods must not be heated in sealed containers since they are liable to explode.
- EN • When heating food in plastic or paper containers, keep an eye on the oven due to the possibility of ignition.
- Only use utensils that are suitable for use in microwave ovens.
- If smoke is emitted, switch off or unplug the appliance and keep the door closed in order to stifle any flames.
- Microwave heating of beverages can result in delayed eruptive boiling, therefore care must be taken when handling the container.
- The contents of feeding bottles and baby food jars shall be stirred or shaken and the temperature checked before consumption, in order to avoid burns.
- Eggs in their shell and whole hard-boiled eggs should not be heated in microwave ovens since they may explode, even after microwave heating has ended.
- The oven should be cleaned regularly and any food deposits removed.

- Failure to maintain the oven in a clean condition could lead to deterioration of the surface that could adversely affect the life of the appliance and possibly result in a hazardous situation.
- The appliance must not be installed behind a decorative door in order to avoid overheating. (This is not applicable for appliances with decorative door.)
- Only use the temperature probe recommended for this oven. (for ovens provided with a facility to use a temperature-sensing probe.)
- The microwave oven shall not be placed in a cabinet unless it has been tested in a cabinet.
- The microwave oven must be operated with the decorative door open. (for ovens with a decorative door.)
- This appliance is intended to be used in household and similar applications such as:
 - staff kitchen areas in shops, offices and other working environments;
 - by clients in hotels, motels and other residential type environments;
 - farm houses;
 - bed and breakfast type environments.
- The microwave oven is intended for heating food and beverages. Drying of food or clothing and heating of warming pads, slippers, sponges, damp cloth and similar may lead to risk of injury, ignition or fire.
- Metallic containers for food and beverages are not allowed during microwave cooking.
- The appliance shall not be cleaned with a steam cleaner.

- The appliance is intended to be used freestanding.
- The rear surface of appliances shall be placed against a wall.
- The appliances are not intended to be operated by means of an external timer or separate remote-control system.
- The temperature of accessible surfaces may be high when the appliance is operating.
- **EN** **WARNING:** When the appliance is operated in the combination mode, children should only use the oven under adult supervision due to the temperatures generated.

**READ CAREFULLY AND KEEP FOR
FUTURE REFERENCE**

To Reduce The Risk Of Injury To Persons Grounding Installation

⚠ DANGER

Electric Shock Hazard

Touching some of the internal components can cause serious personal injury or death. Do not disassemble this appliance.

⚠ WARNING

Electric Shock Hazard

Improper use of the grounding can result in electric shock. Do not plug into an outlet until appliance is properly installed and grounded.

This appliance must be grounded. In the event of an electrical short circuit, grounding reduces the risk of electric shock by providing an escape wire for the electric current.

This appliance is equipped with a cord having a grounding wire with a grounding plug. The plug must be plugged into an outlet that is properly installed and grounded.

Consult a qualified electrician or serviceman if the grounding instructions are not completely understood or if doubt exists as to whether the appliance is properly grounded.

If it is necessary to use an extension cord, use only a 3-wire extension cord.

- A short power-supply cord is provided to reduce the risks resulting from becoming entangled in or tripping over a longer cord.
- If a long cord set or extension cord is used:
 - The marked electrical rating of the cord set or extension cord should be at least as great as the

- The extension cord must be a grounding-type 3-wire cord.
- The long cord should be arranged so that it will not drape over the counter top or tabletop where it can be pulled on by children or tripped over unintentionally.

Utensils

EN

CAUTION

Personal Injury Hazard

It is hazardous for anyone other than a competent person to carry out any service or repair operation that involves the removal of a cover which gives protection against exposure to microwave energy. See the instructions on “Materials you can use in microwave oven or to be avoided in microwave oven.” There may be certain non-metallic utensils that are not safe to use for microwaving. If in doubt, you can test the utensil in question following the procedure below.

Utensil Test:

- Fill a microwave-safe container with 1 cup of cold water (250ml) along with the utensil in question.
- Cook on maximum power for 1 minute.
- Carefully feel the utensil. If the empty utensil is warm, do not use it for microwave cooking.
- Do not exceed 1 minute cooking time.

Materials you can use in microwave oven

Utensils	Remarks
Browning dish	Follow manufacturer's instructions. The bottom of browning dish must be at least 3/16 inch (5mm) above the turntable. Incorrect usage may cause the turntable to break.
Dinnerware	Microwave-safe only. Follow manufacturer's instructions. Do not use cracked or chipped dishes.
Glass jars	Always remove lid. Use only to heat food until just warm. Most glass jars are not heat resistant and may break.
Glassware	Heat-resistant oven glassware only. Make sure there is no metallic trim. Do not use cracked or chipped dishes.
Oven cooking bags	Follow manufacturer's instructions. Do not close with metal tie. Make slits to allow steam to escape.
Paper plates and cups	Use for short-term cooking/warming only. Do not leave oven unattended while cooking.
Paper towels	Use to cover food for reheating and absorbing fat. Use with supervision for a short-term cooking only.
Parchment paper	Use as a cover to prevent splattering or a wrap for steaming.
Plastic	Microwave-safe only. Follow the manufacturer's instructions. Should be labeled "Microwave Safe". Some plastic containers soften, as the food inside gets hot. "Boiling bags" and tightly closed plastic bags should be slit, pierced or vented as directed by package.
Plastic wrap	Microwave-safe only. Use to cover food during cooking to retain moisture. Do not allow plastic wrap to touch food.
Thermometers	Microwave-safe only (meat and candy thermometers).
Wax paper	Use as a cover to prevent splattering and retain moisture.

EN

Materials to be avoided in microwave oven

Utensils	Remarks
Aluminum tray	May cause arcing. Transfer food into microwave-safe dish.
Food carton with metal handle	May cause arcing. Transfer food into microwave-safe dish.
Metal or metal-trimmed utensils	Metal shields the food from microwave energy. Metal trim may cause arcing.
Metal twist ties	May cause arcing and could cause a fire in the oven.
Paper bags	May cause a fire in the oven.
Plastic foam	Plastic foam may melt or contaminate the liquid inside when exposed to high temperature.
Wood	Wood will dry out when used in the microwave oven and may split or crack.

SPECIFICATION

MODEL	AG20CF2E / AG20CF2EBK
RATED VOLTAGE	230V-
RATED FREQUENCY	50Hz
RATED INPUT	1050W
RATED OUTPUT (MICROWAVE)	700W
EN RATED INPUT (GRILL)	1000W

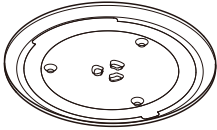
PRODUCT OVERVIEW

Names Of Oven Parts And Accessories

(In case of any differences between the appliance and the pictures in this manual, the product shall prevail.)

Remove the oven and all materials from the carton and oven cavity.

Your oven comes with the following accessories:



Glass Tray



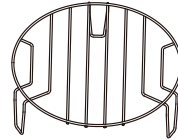
Turntable Ring Assembly



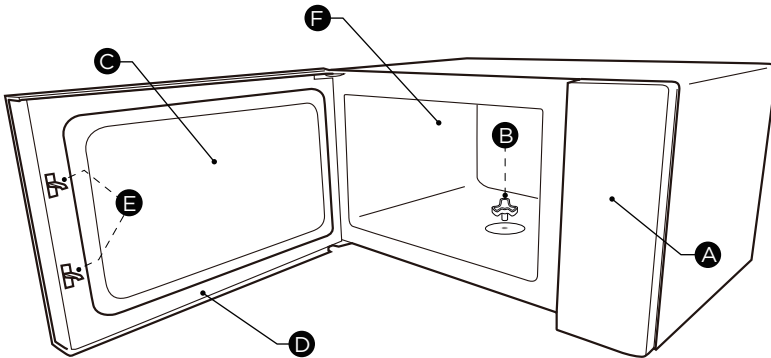
Instruction Manual



Turntable Shaft



Grill Rack (Cannot be used in microwave function and must be placed on the glass tray)

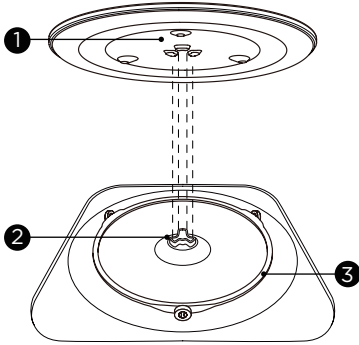


- A) Control panel
- B) Turntable shaft
- C) Observation window

- D) Door assembly
- E) Safety interlock system
- F) Oven cavity

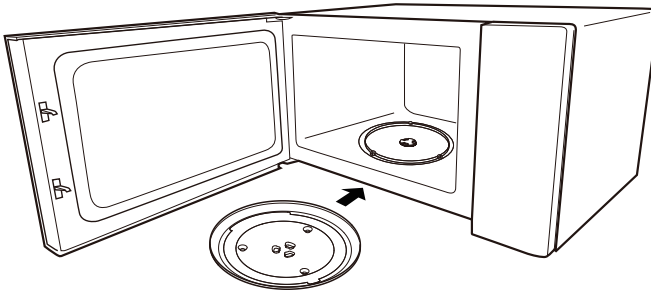
Turntable Installation

Cleaning the cooking compartment and putting the turntable in place. For new installations, make sure all packaging and shipping tape has been removed from the turntable shaft. Before using the appliance to prepare food for the first time, you will need to put the turntable in place correctly. You must clean the cooking compartment and accessories.



How to put the turntable in place:

1. Place the turntable ring assembly ③ into the recess in the cooking compartment.
2. Place the glass tray ① on the turntable ring assembly ③. Fit the raised, curved lines in the center of the glass tray bottom between the three spokes of the shaft. Make sure that the glass tray ① engages in the turntable shaft ② in the centre of the cooking compartment floor. The rollers on the shaft should fit inside the turntable bottom ridge.



NOTES

- Never use the appliance without the turntable. Make sure that it is properly engaged. The turntable can turn clockwise or anti-clockwise.
- Never place the glass tray upside down. The glass tray should never be restricted.
- Both glass tray and turntable ring assembly must always be used during cooking.
- All food and containers of food are always placed on the glass tray for cooking.
- Never restrict the movement of the turntable.
- If glass tray or turntable ring assembly cracks or breaks, contact your nearest authorized service center.

PRODUCT INSTALLATION

Countertop Installation

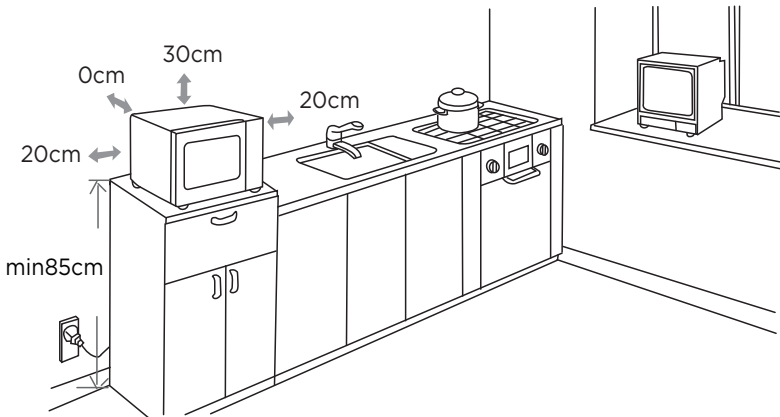
Remove all packing material and accessories. Examine the oven for any damage such as dents or broken door. Do not install if oven is damaged.

Cabinet: Remove any protective film found on the microwave oven cabinet surface. Do not remove the waveguide cover that is attached to the oven cavity to protect the magnetron.

Installation

EN

1. Select a level surface that provide enough open space for the intake and/or outlet vents.



- The minimum installation height is 85cm.
 - The rear surface of appliance shall be placed against a wall. Leave a minimum clearance of 30cm above the oven, a minimum clearance of 20cm is required between the oven and any adjacent walls.
 - Do not remove the legs from the bottom of the oven.
 - Blocking the intake and/ or outlet openings can damage the oven.
 - Place the oven as far away from radios and TV as possible. Operation of microwave oven may cause interference to your radio or TV reception.
2. Plug your oven into a standard household outlet. Be sure the voltage and the frequency is the same as the voltage and the frequency on the rating label.

⚠ WARNING

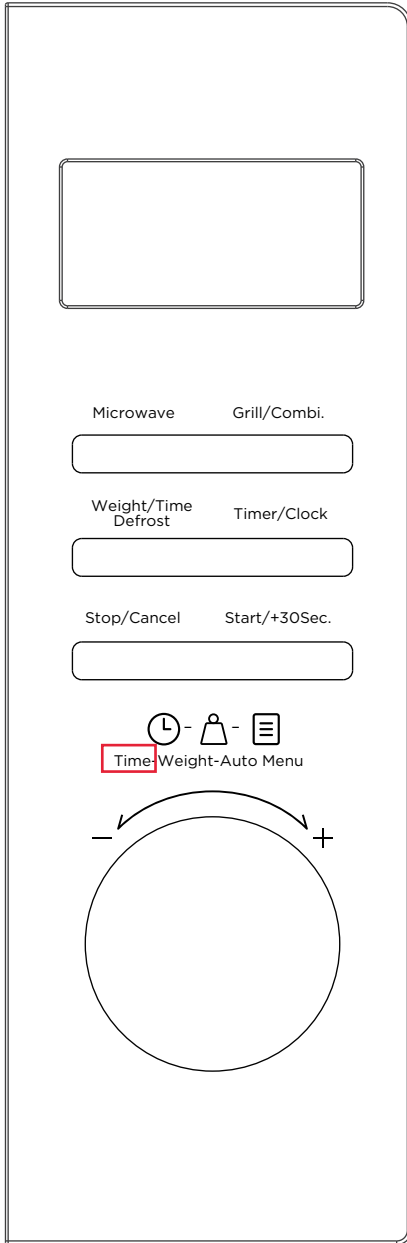
Do not install oven over a range cooktop or other heat-producing appliance. If installed near or over a heat source, the oven could be damaged and the warranty would be void.

The accessible surface may be hot during operation.



OPERATION INSTRUCTIONS

EN



Setting The Clock

1. Press “ Timer/Clock ” twice and then “00:00” will display.
2. Turn the knob to set the hour figures. The time should be within 0-23.
3. Press “ Timer/Clock ” to confirm.
4. Turn the knob to set the minute figures. The time should be within 0-59.
5. Press “ Timer/Clock ” to confirm. The clock is set.

NOTE

- The clock is a 24-hour display. If the clock is not set, it would not work when powered.
- To reset the clock, please repeat step 1 to step 5.
- After the step 4, if the “ Timer/Clock ” is not pressed or there is no operation within 1 minute, the setting is invalid.

EN

Setting The Kitchen Timer

1. Press “ Timer/Clock ” once and then “0:00” will display.
2. Turn the knob to set the desired time. The maximum time value is “95:00”.
3. Press “ Start/+30Sec. ” to confirm. The timer starts counting down.

NOTE

Any other program can't be set during kitchen timer.

Microwave Cooking

Power Level

5 power levels are available.

Power Level	Display
100%	P100
80%	P80
50%	P50
30%	P30
10%	P10

1. Press “ Microwave ” once and then “P100” will display.
2. Press “ Microwave ” repeatedly or turn the knob to set the power level.
The 5 power levels are available.
3. Press “ Start/+30Sec. ” to confirm.
4. Turn the knob to adjust the cooking time. The maximum time value is “95:00”.
5. Press “ Start/+30Sec. ” to start cooking.

NOTE

Opening the oven door or pressing “ Stop/Cancel ” during operation will interrupt the current mode.

Grill Cooking

1. Press “ Grill/Combi.” once and then “G-1” will display.
2. Press “ Start/+30Sec.” to confirm.
3. Turn the knob to set the cooking time. The maximum time value is “95:00” .
4. Press “ Start/+30Sec.” to start cooking.

EN

NOTE

When half of the time has passed, the buzzer will sound to remind you to turn the food over. If no operation, the oven will continue working.

Combination Cooking

1. Press “ Grill/Combi.” twice or three times and then “C-1”, “C-2” will display.
2. Press “ Start/+30Sec.” to confirm.
3. Turn the knob to set the cooking time. The maximum time value is “95:00”.
4. Press “ Start/+30Sec.” to start cooking.

Function	Display	Microwave Power	Grill Power
Combi. 1	C-1	55%	45%
Combi. 2	C-2	36%	64%

Defrost By Weight

1. Press “ $\frac{\text{Weight/Time}}{\text{Defrost}}$ ” once and then the screen will display “dEF1”.
2. Turn the knob to set the weight of food. The range of weight is 100-2000g.
3. Press “ Start/+30Sec.” to start defrosting.

NOTE

The buzzer will sound to remind you to turn the food over during defrosting. If no operation, the oven will continue working.

Defrost By Time

1. Press “ $\frac{\text{Weight/Time}}{\text{Defrost}}$ ” twice and then the screen will display “dEF2”.
2. Turn the knob to set the desired defrost time. The maximum time value is “95:00”.
3. Press “ Start/+30Sec.” to start defrosting.

NOTE

- When half of the time has passed, the buzzer will sound to remind you to turn the food over. If no operation, the oven will continue working.
- The defrost power is P30 and it cannot be changed.

Multi-Stage Cooking

NOTES

- Two cooking stages can be set in multi-stage cooking.
- If you set defrost function, it will work automatically in the first stage.
- Kitchen Timer, Auto menu cannot be set as one of the multi-stage.

EN

Example: Defrost food for 5 minutes and then cook with 80% microwave power for 7 minutes.

1. Press “ **Weight/Time** ” twice and then the screen will display “dEF2”.
Defrost
2. Turn the knob to set the desired defrost time of 5 minutes.
3. Press “ **Microwave** ” and then “P100” will display.
4. Turn the knob to set the power level of P80. And then press “ **Start/+30Sec.**” to confirm.
5. Turn the knob to set the cooking time of 7 minutes.
6. Press “ **Start/+30Sec.**” to start cooking.

Speedy Cooking

1. In standby mode, press “ **Start/+30Sec.** ” to cook food with 100% power level for 30 seconds.


Each press on the same key can increase 30 seconds and the maximum time value is 95 minutes.

2. In standby mode, turn the knob left to set a cooking time with 100% power. Then continue to turn the knob to adjust the cooking time. The maximum time value is 95 minutes. Press “ **Start/+30Sec.**” to start cooking.

Lock Function For Children

You can use this function to prevent children from accidentally turning the oven on.

To activate the lock:

In standby mode, press and hold “ **Stop/Cancel** ” for three seconds. A beep sounds and “  ” will display.

To deactivate the lock:

In locked state, press and hold “ **Stop/Cancel** ” for three seconds. A beep sounds.

Inquiring Function

1. If the clock has been set, the current time will display for three seconds by pressing “ Timer/Clock ” in the cooking state.
2. In the microwave cooking state, press “ Microwave ” to inquire the power level. It will display for three seconds. In the grill state and in the combination cooking state, the inquiring way can be done by pressing “Grill/Combi. ”.

Auto Menu

EN

1. Turn the knob right, and then “A-1” will flash.
2. Continue to turn the knob to choose the menu you need. 8 auto menus are available.
3. Press “Start/+30Sec.” to confirm.
4. Turn the knob to set the weight of food.
5. Press “ Start/+30Sec.” to start cooking.

NOTES

- Opening the oven door or pressing “ Stop/Cancel ” during operation will interrupt the current mode.
- It is necessary to turn the knob right first in the standby mode for selecting “Auto Menu”. Turning the knob left first will enter the cooking time of speed cooking.

Auto Menu Chart

Menu	Weight	Display	Power
A-1 Auto Reheat	200g	200	P100
	400g	400	
	600g	600	
A-2 Vegetable	200g	200	P100
	300g	300	
	450g	450	
A-3 Fish	150g	150	C-2
	300g	300	
	450g	450	
A-4 Meat	200g	200	C-2
	300g	300	
	500g	500	
A-5 Pasta	50g (with 450g cold water)	50	P80
	100g (with 800g cold water)	100	
A-6 Potato	1 (230g)	1	P100
	2	2	
	3	3	
A-7 Pizza	200g	200	P100
	400g	400	
A-8 Rice	200g	200	P100+P50
	400g	400	

EN

CLEANING AND MAINTENANCE

Be sure to unplug the appliance from the power supply.

- Clean the cavity of the oven after using with a slightly damp cloth.
- Clean the accessories in the usual way in soapy water.
- The door frame and seal and neighbouring parts must be cleaned carefully with a damp cloth when they are dirty.
- Do not use harsh abrasive cleaners or sharp metal scrapers to clean the oven door glass since they can scratch the surface, which may result in shattering of the glass.
- Cleaning Tip---For easier cleaning of the cavity walls that the food cooked can touch: Place half a lemon in a bowl, add 300ml (1/2 pint) water and heat on 100% microwave power for 10 minutes. Wipe the oven clean using a soft, dry cloth.

EN


TROUBLE SHOOTING

Normal	
Microwave oven interfering TV reception	Radio and TV reception may be interfered when microwave oven operating. It is similar to the interference of small electrical appliances, like mixer, vacuum cleaner, and electric fan. It is normal.
Dim oven light	In low power microwave cooking, oven light may become dim. It is normal.
Steam accumulating on door, hot air out of vents	In cooking, steam may come out of food. Most will get out from vents. But some may accumulate on cool place like oven door. It is normal.
Oven started accidentally with no food in.	It is forbidden to run the unit without any food inside. It is very dangerous.

EN

Trouble	Possible Cause	Remedy
Oven can not be started.	<ul style="list-style-type: none"> Power cord is not plugged in tightly. 	<ul style="list-style-type: none"> Unplug. Then plug again after 10 seconds.
	<ul style="list-style-type: none"> Fuse blowing or circuit breaker works. 	<ul style="list-style-type: none"> Replace fuse or reset circuit breaker (repaired by professional personnel of our company)
	<ul style="list-style-type: none"> Trouble with outlet. 	<ul style="list-style-type: none"> Test outlet with other electrical appliances.
Oven does not heat.	<ul style="list-style-type: none"> Door is not closed well. 	<ul style="list-style-type: none"> Close door well.

TRADEMARKS, COPYRIGHTS AND LEGAL STATEMENT

 Midea logo, word marks, trade name, trade dress and all versions thereof are valuable assets of Midea Group and/or its affiliates (“Midea”), to which Midea owns trademarks, copyrights and other intellectual property rights, and all goodwill derived from using any part of an Midea trademark. Use of Midea trademark for commercial purposes without the prior written consent of Midea may constitute trademark infringement or unfair competition in violation of relevant laws.

EN

This manual is created by Midea and Midea reserves all copyrights thereof. No entity or individual may use, duplicate, modify, distribute in whole or in part this manual, or bundle or sell with other products without the prior written consent of Midea.

All the described functions and instructions were up to date at the time of printing this manual. However, the actual product may vary due to improved functions and designs.

DISPOSAL AND RECYCLING

Important instructions for environment

Compliance with the WEEE Directive and Disposing of the Waster Product:
This product complies with EU WEEE Directive (2012/19/EU). This product bears a classification symbol for waster electrical and electronic equipment (WEEE).

This symbol indicates that this product shall not be disposed with other household wastes at the end of its service life. Used device must be returned to official collection point for recycling of electrical electronic devices. To find these collection systems please contact to your local authorities or retailer where the product was purchased. Each household performs important role in recovering and recycling of old appliance. Appropriate disposal of used appliance helps prevent potential negative consequences for the environment and human health.



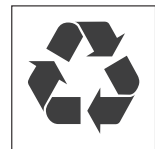
EN

Compliance with RoHS Directive

The product you have purchased complies with EU RoHS Directive (2011/65/EU). It does not contain harmful and prohibited materials specified in the Directive.

Package information

Packaging materials of the product are manufactured from recyclable materials in accordance with our National Environment Regulations. Do not dispose of the packaging materials together with the domestic or other wastes. Take them to the packaging material collection points designated by the local authorities.



DATA PROTECTION NOTICE

For the provision of the services agreed with the customer, we agree to comply without restriction with all stipulations of applicable data protection law, in line with agreed countries within which services to the customer will be delivered, as well as, where applicable, the EU General Data Protection Regulation (GDPR).

Generally, our data processing is to fulfil our obligation under contract with you and for product safety reasons, to safeguard your rights in connection with warranty and product registration questions. In some cases, but only if appropriate data protection is ensured, personal data might be transferred to recipients located outside of the European Economic Area.

EN

Further information are provided on request. You can contact our Data Protection Officer via **MideaDPO@midea.com**. To exercise your rights such as right to object your personal data being processed for direct marketing purposes, please contact us via **MideaDPO@midea.com**. To find further information, please follow the QR Code.

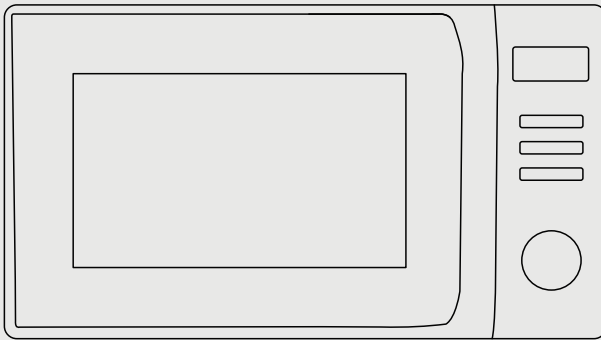


make yourself at home



www.midea.com

© Midea 2024 all rights reserved



MIKROWELLE

BEDIENUNGSANLEITUNG

**AG20CF2E
AG20CF2EBK**

Warnhinweise: Lesen Sie sich die Bedienungsanleitung vor der erstmaligen Verwendung des Produkts aufmerksam durch und bewahren Sie sie zum späteren Nachschlagen sicher auf. Das Design und die Spezifikationen können ohne vorherige Ankündigung zur Produktverbesserung geändert werden. Wenden Sie sich für Einzelheiten an Ihren Fachhändler oder an den Hersteller. Die vorstehende schematische Darstellung dient lediglich als Referenz. Beziehen Sie sich stets auf das Ihnen tatsächliche vorliegende Produkt.

DANKSCHREIBEN

Vielen Dank, dass Sie sich für Midea entschieden haben! Bevor Sie Ihr neues Midea-Produkt in Betrieb nehmen, lesen Sie bitte dieses Handbuch aufmerksam durch, damit Sie wissen, wie Sie die Funktionen Ihres neuen Geräts auf sichere Weise nutzen können.

INHALTSVERZEICHNIS

DANKSCHREIBEN	DE-01
SICHERHEITSHINWEISE	DE-02
TECHNISCHE DATEN	DE-12
PRODUKTÜBERSICHT	DE-13
AUFSTELLEN DES PRODUKTS	DE-15
BEDIENUNGSANLEITUNG	DE-16
REINIGUNG UND PFLEGE	DE-22
PROBLEMBEHEBUNG	DE-23
MARKEN, URHEBERRECHTE UND RECHTLICHER HINWEIS	DE-24
ENTSORGUNG UND RECYCLING	DE-25
HINWEISE ZUM DATENSCHUTZ	DE-26

SICHERHEITSHINWEISE

Vorgesehene Benutzung

Mit den folgenden Sicherheitsrichtlinien soll nicht vorhersehbaren Risiken oder Schäden aufgrund eines unsachgemäßen oder nicht ordnungsgemäßen Betrieb des Geräts vorgebeugt werden. Wenn Sie das Gerät empfangen haben, vergewissern Sie sich bitte, dass weder die Verpackung des Geräts noch das Gerät selbst beschädigt sind/wurden, um einen sicheren Betrieb zu gewährleisten. Sollten Sie einen Schaden feststellen, wenden Sie sich bitte an Ihren Händler oder Verkäufer. Zu Ihrer eigenen Sicherheit sind Modifikationen oder Veränderungen am Gerät untersagt. Zweckentfremdete Nutzung kann zu Gefährdungen und dem Erlöschen der Garantie führen.

DE

Erklärung der Symbole



Gefahr

Dieses Symbol weist auf Gefahren für das Leben und die Gesundheit von Personen aufgrund leicht entflammbarer Gase hin.



Stromschlaggefahr

Dieses Symbol weist auf Gefahren für das Leben und die Gesundheit von Personen aufgrund elektrischer Spannung hin.



Warnung

Dieses Signalwort weist auf Gefährdungen mit einem mittleren Risikograd hin, die bei Nichtvermeidung Tod oder schwere Verletzungen zur Folge haben können.



Vorsicht

Dieses Signalwort weist auf Gefährdungen mit einem niedrigen Risikograd hin, die bei Nichtvermeidung leichte bis mittelschwere Verletzungen zur Folge haben können.



Achtung

Dieses Signalwort weist auf wichtige Informationen wie beispielsweise Schäden am Eigentum hin, die jedoch keine Gefährdung sind.



Anweisungen befolgen

Dieses Symbol weist darauf hin, dass Servicetechniker dieses Gerät nur gemäß der Bedienungsanleitung bedienen und warten sollten.

Lesen Sie diese Bedienungsanleitung aufmerksam durch, bevor Sie das Gerät in Betrieb nehmen, und bewahren Sie sie für späteren Gebrauch in unmittelbarer Nähe Geräts auf!

Vorsichtsmaßnahmen zum Vermeiden einer möglichen Exposition wegen übermäßiger Mikrowellenenergie

- a. Versuchen Sie nicht, die Mikrowelle mit geöffneter Tür zu betreiben, weil Sie dadurch gefährlicher Mikrowellenstrahlung ausgesetzt werden können. Die Sicherheitsverriegelungen dürfen weder umgangen noch modifiziert werden.
- b. Stellen Sie keine Gegenstände in den Bereich zwischen Vorderseite und Mikrowellentür und verhindern Sie, dass sich Schmutz und/oder Reinigungsmittelrückstände auf der Dichtung ansammeln.
- c. **WARNUNG:** Wenn die Tür oder die Türdichtungen beschädigt sind, darf die Mikrowelle solange nicht betrieben werden, bis sie durch eine kompetente Person repariert wurde.

DE

Anhang

Wenn das Gerät nicht in einem sauberen Zustand gehalten wird, kann seine Oberfläche beschädigt und die Lebensdauer des Geräts verkürzt werden und möglicherweise können gefährliche Situationen entstehen.

Wichtige Sicherheitshinweise

⚠️ WARNUNG

Befolgen Sie bei der Benutzung des Geräts die nachstehend aufgeführten allgemeinen Sicherheitshinweise, um die Gefahr von Feuer, Stromschlag, Verletzungen oder übermäßiger Mikrowellenstrahlung ausgesetzt zu werden, zu reduzieren:

- Lesen und befolgen Sie insbesondere:
"SICHERHEITSHINWEISE ZUM VERMEIDEN EINER MÖGLICHEN EXPOSITION WEGEN ÜBERMÄßIGER MIKROWELLENENERGIE".
- Dieses Produkt kann von Kindern ab 8 Jahren und Personen mit eingeschränkten physischen, sensorischen oder geistigen Fähigkeiten oder einem Mangel an Erfahrung und Kenntnissen verwendet werden, sofern sie unter Aufsicht stehen oder Anweisungen hinsichtlich der sicheren Verwendung des Produkts erhalten haben und mit den damit einhergehenden Gefahren vertraut sind. Das Gerät ist kein Spielzeug für Kinder. Reinigung und Wartung durch den Benutzer dürfen nicht von unbeaufsichtigten Kindern durchgeführt werden.
- Halten Sie sowohl das Gerät als auch sein Kabel außerhalb der Reichweite von Kindern unter 8 Jahren.
- Wenn das Netzkabel beschädigt wurde, muss es entweder vom Hersteller, einem autorisierten Kundendienst oder ähnlich qualifiziertem Personal ausgetauscht werden, um Gefahren vorzubeugen.
- **WARNUNG:** Vergewissern Sie sich, dass das Gerät ausgeschaltet ist, bevor Sie die Innenbeleuchtung der Mikrowelle wechseln, um Stromschlag vorzubeugen.

- **WARNUNG:** Für Nichtfachleute ist die Ausführung von Wartungs- und Reparaturarbeiten gefährlich, wenn eine vor Mikrowellenstrahlung schützende Abdeckung entfernt wird.
- **WARNUNG:** Flüssigkeiten und Speisen dürfen nicht in verschlossenen Behältern erhitzt werden. Explosionsgefahr.
- Lassen Sie die Mikrowelle nicht unbeaufsichtigt, wenn Sie Speisen in Kunststoff- oder Papierverpackungen erhitzen, weil diese sich entzünden können.
- Benutzen Sie nur für Mikrowellen geeignetes Zubehör.
- Wenn Rauch entsteht, schalten Sie das Gerät aus, trennen Sie es vom Stromnetz und lassen Sie die Gerätetür geschlossen, um die Flammen zu ersticken.
- Das Erhitzen von Getränken in einer Mikrowelle kann zum verzögerten plötzlichen Aufwallen führen. Seien Sie deshalb bei der Handhabung des Behälters vorsichtig.
- Der Inhalt von Nuckelflaschen und Babynahrung in Gläsern muss umgerührt oder geschüttelt werden. Überprüfen Sie vor dem Füttern die Temperatur der Babynahrung, um Verbrennungen vorzubeugen.
- Ungeschälte und hartgekochte Eier dürfen nicht in der Mikrowelle erhitzt werden, weil diese selbst dann noch explodieren können, wenn das Erhitzen bereits beendet ist.
- Reinigen Sie die Mikrowelle regelmäßig und entfernen Sie dabei alle Speisereste.

- Verschmutzung kann zur Zerstörung der Oberflächenbeschichtung und in Folge dessen zu einer verkürzten Lebensdauer des Geräts und damit zu gefährlichen Situationen führen.
- Das Gerät darf nicht hinter einer Außentür eingebaut werden, um einer Überhitzung vorzubeugen. (ausgenommen Geräte mit Ziertür.)
- Verwenden Sie nur das für diese Mikrowelle empfohlene Fleischthermometer. (für Mikrowellen, bei denen ein Temperaturfühler benutzt werden kann).
- Die Mikrowelle darf nicht in einen Schrank gestellt werden, es sei denn, sie wurde hierfür getestet.
- Die Mikrowelle muss mit geöffneter Ziertür betrieben werden. (für Mikrowellen mit Ziertür).
- Dieses Gerät ist für die Benutzung im Haushalt und ähnlichen Anwendungen bestimmt, wie beispielsweise:
 - Mitarbeiter-Küchenbereiche in Geschäften, Büros und anderen Arbeitsumgebungen;
 - Durch Kunden in Hotels, Motels und anderen Wohnumgebungen;
 - Landwirtschaftlichen Gebäuden;
 - Umgebungen wie Frühstückspensionen.
- Die Mikrowelle ist für das Erhitzen von Speisen und Getränken bestimmt. Das Trocknen von Speisen und Kleidung und das Erhitzen von Wärmekissen, Hausschuhen, Schwämmen, feuchten Tüchern usw. kann zu Verletzungen, Feuer oder Funkenbildung führen.
- Speisen- und Getränkebehälter aus Metall dürfen nicht in der Mikrowelle benutzt werden.
- Das Gerät darf nicht mit einem Dampfreiniger gereinigt werden.

DE

- Das Gerät ist für eine freistehende Benutzung bestimmt.
- Die Rückseite des Geräts muss einer Wand zugewandt sein.
- Das Gerät ist nicht für den Betrieb mit einer externen Zeitschaltuhr oder einer separaten Fernbedienung vorgesehen.
- Die erreichbaren Oberflächen können während der Benutzung des Geräts heiß sein.
- **WARNUNG:** Wenn das Gerät im Modus Kombiniertes Garen betrieben wird, dürfen Kinder die Mikrowelle aufgrund der erzeugten Temperaturen nur unter der Aufsicht von Erwachsenen benutzen.

DE

**LESEN SIE ALLE HINWEISE AUFMERKSAM DURCH
UND BEWAHREN SIE SIE FÜR ZUKÜNFTIGES
NACHSCHLAGEN AUF**

Für die Verringerung der Verletzungsgefahr für die Personen, die die Installation erten

⚠ GEFAHR

Stromschlaggefahr

Das Berühren einiger der internen Komponenten kann zu schweren oder tödlichen Verletzungen führen. Demontieren Sie das Gerät nicht.

⚠ WARNUNG

DE Stromschlaggefahr

Unsachgemäßer Anschluss der Erdung kann zu Stromschlag führen. Stecken Sie den Netzstecker erst dann in eine Steckdose, wenn das Gerät ordnungsgemäß installiert und geerdet ist.

Dieses Gerät muss geerdet werden. Bei Kurzschluss verringert die Erdung das Risiko eines Stromschlags, indem sie dem Strom einen Ausweichpfad bietet.

Dieses Gerät ist mit einem Netzkabel ausgestattet, das sowohl einen Erdleiter als auch einen Schutzkontaktstecker besitzt. Der Netzstecker muss in eine Steckdose gesteckt werden, die ordnungsgemäß installiert und geerdet ist.

Wenden Sie sich an einen qualifizierten Elektriker oder Servicetechniker, wenn Sie die Erdungshinweise nicht vollständig verstanden haben oder Sie sich nicht sicher sind, ob das Gerät ordnungsgemäß geerdet ist.

Wenn Sie ein Verlängerungskabel benutzen müssen, dann benutzen Sie nur ein 3-adriges Verlängerungskabel.

- Für das Gerät wird nur ein kurzes Netzkabel mitgeliefert, um die Risiken langer Kabel wie verheddern oder darüber stolpern zu reduzieren.
- Wenn ein langes Netzkabel oder Verlängerungskabel verwendet wird:

- Der elektrische Nennwert des Netz- oder Verlängerungskabels muss mindestens so groß sein wie die elektrische Leistung des Geräts.
- Das Verlängerungskabel muss ein 3-adriges geerdetes Kabel sein.
- Ein langes Netzkabel muss so verlegt werden, dass es nicht über Arbeitsplatten hängt, wo Kinder daran ziehen können oder man versehentlich darüber stolpern kann.

Utensilien

DE

VORSICHT

Verletzungsgefahr

Für Nichtfachleute ist die Ausführung von Wartungs- und Reparaturarbeiten gefährlich, wenn eine vor Mikrowellenstrahlung schützende Abdeckung entfernt wird. Schlagen Sie unter "Materialien, die Sie in der Mikrowelle benutzen können" und "Materialien, die Sie in der Mikrowelle nicht benutzen dürfen" nach. Es gibt bestimmte nicht metallische Utensilien, die nicht mikrowellengeeignet sind. Wenn Sie sich nicht sicher sind, können Sie das jeweilige Utensil wie nachstehend beschrieben testen.

Utensilientest:

- Füllen Sie einen mikrowellengeeigneten Behälter mit 1 Tasse kaltem Wasser (250 ml) und legen/stellen Sie das zu testende Utensil hinein.
- Erhitzen Sie es 1 Minute lang bei maximaler Leistung.
- Berühren Sie das Utensil vorsichtig. Wenn das Utensil warm ist, dann benutzen Sie es nicht zum Garen in der Mikrowelle.
- Erhitzen Sie es nicht länger als 1 Minute.

Materialien, die Sie in der Mikrowelle benutzen können

Utensilien	Hinweise
Bräter	Befolgen Sie die Anweisungen des Herstellers. Der Boden des Bräters muss sich mindestens 5 mm über dem Drehteller befinden. Bei unsachgemäßer Benutzung kann der Drehteller zerbrechen.
Essgeschirr	Nur mikrowellengeeignet. Befolgen Sie die Hinweise des Herstellers. Benutzen Sie weder zerbrochenes noch gesprungenes Geschirr.
Glasbehälter	Entfernen Sie stets den Deckel. Benutzen Sie sie nur zum Aufwärmen von Gerichten. Die meisten Glasbehälter sind nicht hitzebeständig und können springen.
DE Glasgeschirr	Nur hitzebeständiges mikrowellengeeignetes Glasgeschirr. Vergewissern Sie sich, dass keine metallischen Verzierungen vorhanden sind. Benutzen Sie weder zerbrochenes noch gesprungenes Geschirr.
Kochbeutel	Befolgen Sie die Anweisungen des Herstellers. Verschließen Sie sie nicht mit Metallverschlüssen. Stechen Sie kleine Löcher in den Kochbeutel, damit entstehender Dampf entweichen kann.
Papierteller und Papierbecher	Benutzen Sie es nur für kurzzeitiges Garen/Aufwärmen. Lassen Sie die Mikrowelle während des Betriebs nicht unbeaufsichtigt.
Küchentücher	Zum Abdecken von Lebensmitteln während des Aufwärmens und um Fett zu absorbieren benutzen. Benutzen Sie sie nur unter Aufsicht für kurzzeitiges Garen.
Backpapier	Benutzen Sie es zum Abdecken, um Spritzer zu vermeiden oder um Speisen zum Dünsten einzuwickeln.
Kunststoff	Nur mikrowellengeeignet. Befolgen Sie die Anleitungen des Herstellers. Der Kunststoff muss mit "Mikrowellengeeignet" gekennzeichnet sein. Einige Kunststoffbehälter werden weich, wenn das darin befindliche Gargut heiß wird. Kochbeutel und fest verschlossene Kunststoffbeutel müssen gemäß den Anweisungen auf der Verpackung geschlitzt, durchbohrt oder belüftet werden.
Frischhaltefolie	Nur mikrowellengeeignet. Benutzen Sie sie zum Abdecken der Speisen während des Garens, um Feuchtigkeit zurückzuhalten. Halten Sie Frischhaltefolie von den Speisen fern.
Thermometer	Nur mikrowellengeeignete (Fleisch- und Zuckerthermometer).
Wachspapier	Benutzen Sie es zum Abdecken, um Spritzer zu vermeiden oder Feuchtigkeit zurückzuhalten.

Materialien, die Sie nicht in der Mikrowelle benutzen dürfen

Utensilien	Hinweise
Aluminiumbräter	Funken können entstehen. Geben Sie die Speisen in eine mikrowellengeeignete Schüssel bzw. auf einen Teller.
Verpackungen aus Pappe mit Metallgriff	Funken können entstehen. Geben Sie die Speisen in eine mikrowellengeeignete Schüssel bzw. auf einen Teller.
Metallisches oder metallbeschichtetes Zubehör	Metall hält die Mikrowellenstrahlung von den Speisen fern. Metallische Verzierungen können die Ursache für Funkenbildung sein.
Metallische Verschlüsse	Sie können Funken bilden und in der Mikrowelle einen Brand verursachen.
Papiertüten	Sie können sich in der Mikrowelle entzünden.
Schaumstoff	Wenn Schaumstoff hohen Temperaturen ausgesetzt wird, dann kann er schmelzen oder die darin befindliche Flüssigkeit verunreinigen.
Holz	Wenn Holz in der Mikrowelle verwendet wird, trocknet es aus und kann reißen oder sich spalten.

DE

TECHNISCHE DATEN

MODELL	AG20CF2E / AG20CF2EBK
NENNSPANNUNG	230 V~
NENNFREQUENZ	50 Hz
NENNEINGANGSLEISTUNG	1050 W
NENNAUSGANGSLEISTUNG (MIKROWELLE)	700 W
DE NENNEINGANGSLEISTUNG (GRILL)	1000 W

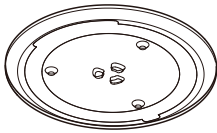
PRODUKTÜBERSICHT

Bezeichnung der Mikrowellen- und Zubehörteile

(Bei Abweichungen zwischen dem Gerät und den Abbildungen in dieser Anleitung hat das Produkt Vorrang.)

Nehmen Sie die Mikrowelle aus der Verpackung und alle sich im Garraum der Mikrowelle befindlichen Teile heraus.

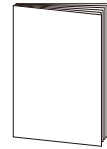
Ihre Mikrowelle wird mit folgendem Zubehör geliefert:



Glasscheibe



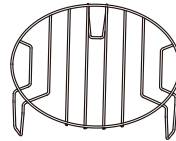
Drehteller



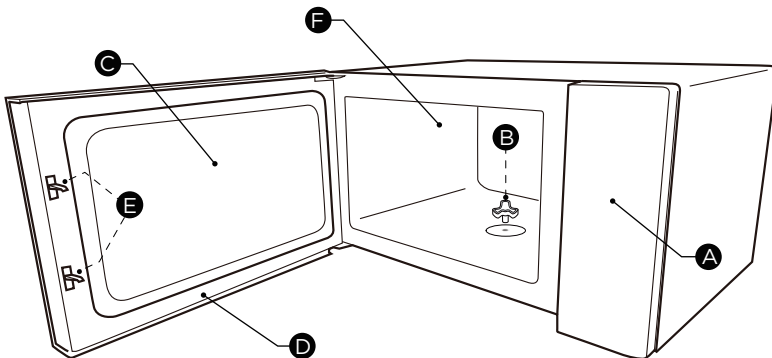
Bedienungsanleitung



Drehtellerachse



Grillrost (kann nicht mit der Mikrowellenfunktion benutzt werden und muss auf den Glasscheibe gesetzt werden)

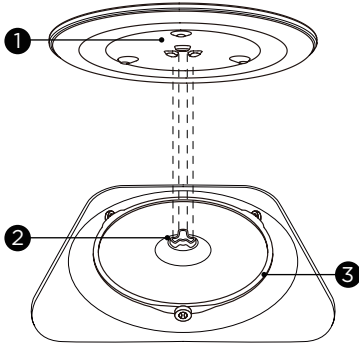


- A) Bedienfeld
- B) Drehtellerwelle
- C) Sichtfenster

- D) Tür
- E) Sicherheitsverriegelung
- F) Garraum

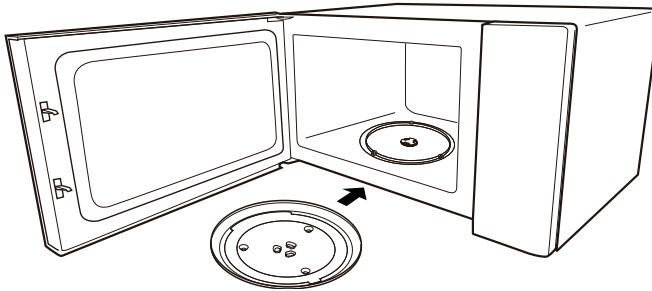
Einsetzen des Drehtellers

Reinigen Sie den Garraum und setzen Sie den Drehteller an den für ihn vorgesehenen Platz. Wenn Sie das Gerät erstmalig aufstellen, vergewissern Sie sich, dass von der Drehtellerwelle alle Verpackungsteile und Transportklebebänder entfernt wurden. Bevor Sie das Gerät das erste Mal für die Zubereitung von Speisen benutzen können, müssen Sie den Drehteller ordnungsgemäß einsetzen. Weiterhin müssen Sie den Garraum und die Zubehörteile reinigen.



Drehteller ordnungsgemäß einsetzen:

1. Setzen Sie den Drehtellerring (3) in die Ausparung im Garraum.
2. Setzen Sie die Glasscheibe (1) auf den Drehtellerring (3). Setzen Sie die mittig am Boden der Glasscheibe abstehenden geschwungenen Nasen in die drei Mitnehmer der Antriebswelle ein. Stellen Sie sicher, dass die Glasscheibe (1) in der Mitte des Garraumbodens in die Drehtellerwelle (2) einrastet. Die Rollen des Schaftss müssen im Inneren der Rille im Drehtellerboden sitzen.



HINWEISE

- Benutzen Sie das Gerät niemals ohne Drehteller. Vergewissern Sie sich, dass er ordnungsgemäß eingerastet ist. Der Drehteller kann sich im oder gegen den Uhrzeigersinn drehen.
- Setzen Sie die Glasscheibe keinesfalls verkehrt herum ein. Die Glasscheibe muss sich jederzeit frei bewegen können.
- Beim Garen müssen Glasscheibe und Drehtellerring immer zusammen verwendet werden.
- Alle Nahrungsmittel und Lebensmittelbehältnisse müssen zum Garen auf die Glasscheibe gestellt/gelegt werden.
- Behindern Sie niemals die Bewegung des Drehtellers.
- Wenn die Glasscheibe oder der Drehtellerring Risse aufweist oder bricht, wenden Sie sich an den autorisierten Kundendienst.

AUFSTELLEN DES PRODUKTS

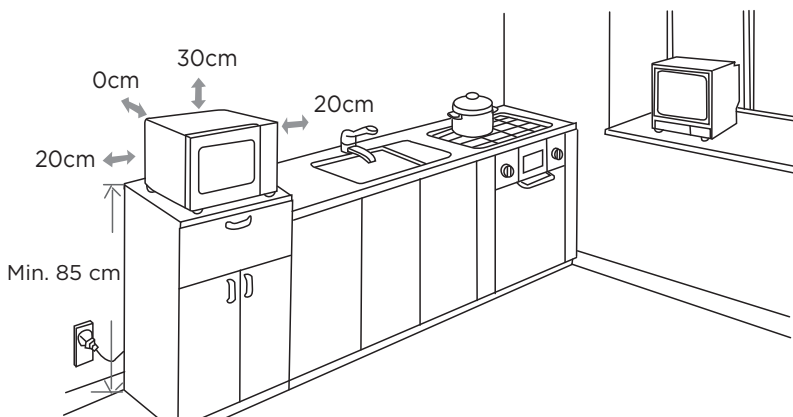
Aufstellen auf einer Arbeitsplatte

Entfernen Sie alle Verpackungsmaterialien und Zubehörteile. Überprüfen Sie die Mikrowelle auf Beschädigungen wie Beulen oder eine beschädigte Tür. Stellen Sie die Mikrowelle nicht auf, wenn sie beschädigt ist.
Gehäuse: Entfernen Sie alle Schutzfolien auf dem Gehäuse der Mikrowelle. Entfernen Sie nicht die Hohlleiterabdeckung, die zum Schutz des Magnetrons im Garraum angebracht ist.

Aufstellen

1. Wählen Sie eine ebene Fläche aus, die genügend Freiraum für Lufteinlass und/oder Luftauslass bietet.

DE



- Die Mindestaufstellhöhe beträgt 85 cm.
 - Die Rückseite des Geräts muss einer Wand zugewandt sein. Lassen Sie einen Raum von mindestens 30 cm über der Mikrowelle und mindestens 20 cm zwischen Mikrowelle und den angrenzenden Wänden frei.
 - Entfernen Sie nicht die Standfüße auf der Unterseite der Mikrowelle.
 - Durch Blockieren der Einlass- und/oder Auslassöffnungen kann die Mikrowelle beschädigt werden.
 - Stellen Sie die Mikrowelle so weit wie möglich von Radio- und Fernsehgeräten entfernt auf. Der Betrieb der Mikrowelle kann zu Störungen des Radio- oder Fernsehempfangs führen.
2. Schließen Sie Ihre Mikrowelle an einer Schutzkontaktsteckdose an. Vergewissern Sie sich, dass Netzspannung und Netzfrequenz mit den Angaben auf dem Typenschild übereinstimmen.

⚠️ WARNUNG

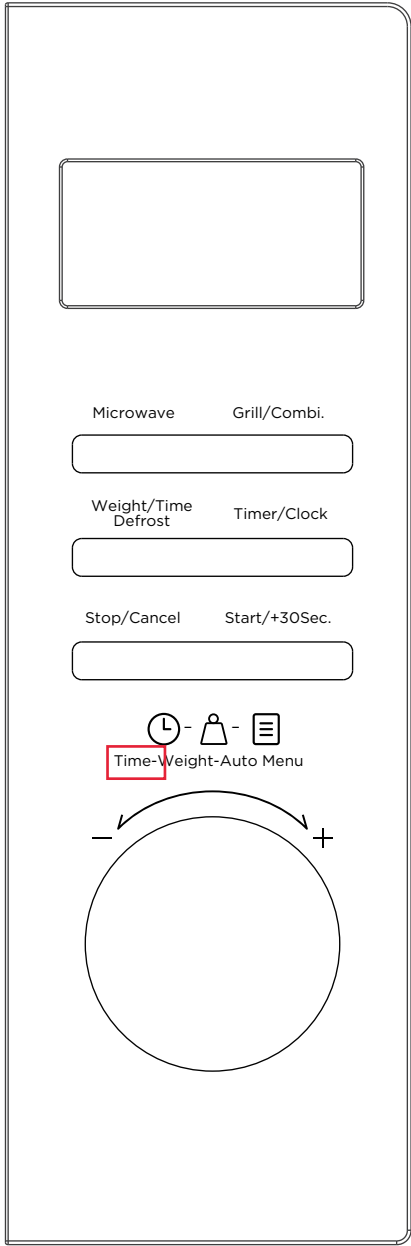
Stellen Sie die Mikrowelle nicht über einer Herdplatte oder einem anderen wärmeerzeugenden Gerät auf. Wenn Sie die Mikrowelle über oder in der Nähe von Wärmequellen aufstellen, kann sie beschädigt werden und darüber hinaus erlischt auch die Garantie.

Die zugänglichen Oberflächen können während des Betriebs heiß werden.



BEDIENUNGSANLEITUNG

DE



Uhrzeit einstellen

1. Drücken Sie zweimal "Timer/Clock", dann wird "00:00" angezeigt.
2. Stellen Sie die Stunden mit dem Drehknopf ein. Der Wert muss im Bereich von 0 - 23 liegen.
3. Drücken Sie "Timer/Clock" Bestätigen.
4. Stellen Sie die Minuten mit dem Drehknopf ein. Der Wert muss im Bereich von 0 - 59 liegen.
5. Drücken Sie "Timer/Clock" Bestätigen. Die Uhrzeit ist eingestellt.

HINWEIS

- Die Uhr ist eine 24-Stunden-Anzeige. Wenn die Uhr nicht eingestellt ist, wird keine Uhrzeit angezeigt, wenn die Mikrowelle eingeschaltet ist.
- Um die Uhr zurückzusetzen, wiederholen Sie die Schritte 1 bis 5.
- Falls nach Schritt 4 "Timer/Clock" nicht gedrückt wird oder innerhalb von 1 Minute keine Bedienung erfolgt,
- ist die Einstellung ungültig.

DE

Einstellen des Küchentimers

1. Drücken Sie einmal "Timer/Clock", dann wird "0:00" angezeigt.
2. Stellen Sie mit dem Drehknopf die gewünschte Zeit ein. Der maximale Zeitwert ist "95:00".
3. Drücken Sie "Start/+30Sec." Bestätigen. Der Timer beginnt herunterzuzählen.

HINWEIS

Bei aktiviertem Küchentimer kann kein anderes Programm eingestellt werden.

Garen in der Mikrowelle

Leistungsstufe

Es gibt 5 Leistungsstufen.

Leistungsstufe	Anzeige
100 %	P100
80 %	P80
50 %	P50
30 %	P30
10 %	P10

1. Drücken Sie einmal "Microwave", dann wird "P100" angezeigt.
2. Drücken Sie wiederholt "Microwave" oder stellen Sie mit dem Drehknopf die Leistungsstufe ein. 5 Leistungsstufen sind verfügbar.
3. Drücken Sie "Start/+30Sec." Bestätigen.
4. Stellen Sie die Zubereitungszeit mit dem Drehknopf ein. Der maximale Zeitwert ist "95:00".
5. Drücken Sie "Start/+30Sec.", um den Garvorgang zu starten.

HINWEIS

Ein Öffnen der Mikrowellentür während des Betriebs oder das Drücken von "Stop/Cancel" unterbricht den aktuellen Modus.

Grillen

1. Drücken Sie einmal "Grill/Combi.", dann wird "G-1" angezeigt.
2. Drücken Sie "Start/+30Sec." Bestätigen.
3. Stellen Sie mit dem Drehknopf die Zubereitungszeit ein. Der maximale Zeitwert ist "95:00".
4. Drücken Sie "Start/+30Sec.", um den Garvorgang zu starten.

HINWEIS

Wenn die Hälfte der Zeit verstrichen ist, ertönt ein Signalton, um Sie daran zu erinnern, die Speisen umzudrehen. Falls kein Vorgang stattfindet, setzt die Mikrowelle den Betrieb fort.

Kombiniertes Garen

1. Drücken Sie "Grill/Combi." zwei- oder dreimal, dann wird "C-1", "C-2" angezeigt.
2. Drücken Sie "Start/+30Sec." Bestätigen.
3. Stellen Sie mit dem Drehknopf die Zubereitungszeit ein. Der maximale Zeitwert ist "95:00".
4. Drücken Sie "Start/+30Sec.", um den Garvorgang zu starten.

Funktion	Anzeige	Mikrowellenleistung	Grilleistung
Kombiniertes Garen 1	C-1	55 %	45 %
Kombiniertes Garen 2	C-2	36 %	64 %

Auftauen nach Gewicht

1. Drücken Sie einmal "Weight/Time Defrost", dann wird "dEF1" angezeigt.
2. Stellen Sie mit dem Drehknopf das Gewicht der Speisen ein. Der Gewichtsbereich beträgt 100 – 2000 g.
3. Drücken Sie "Start/+30Sec.", um das Auftauen zu starten.

HINWEIS

Der Summer ertönt, um Sie daran zu erinnern, die Lebensmittel während des Auftauens zu wenden.

Falls kein Vorgang stattfindet, setzt die Mikrowelle den Betrieb fort.

Auftauen nach Zeit

1. Drücken Sie zweimal "Weight/Time Defrost", dann wird "dEF2" angezeigt.
2. Stellen Sie mit dem Drehknopf die gewünschte Auftauzeit ein. Der maximale Zeitwert ist "95:00".
3. Drücken Sie "Start/+30Sec.", um das Auftauen zu starten.

HINWEIS

- Wenn die Hälfte der Zeit verstrichen ist, ertönt ein Signalton, um Sie daran zu erinnern, die Speisen umzudrehen. Falls kein Vorgang stattfindet, setzt die Mikrowelle den Betrieb fort.
- Die Auftauleistung beträgt P30 und kann nicht geändert werden.

Mehrstufiges Garen

HINWEISE

- Zum mehrstufigen Garen können zwei Garstufen eingestellt werden.
- Wenn Sie die Auftaufunktion einstellen, wird sie automatisch in der ersten Stufe ausgeführt.
- Kurzzeitwecker und Auto-Menü können nicht als eine von mehreren Stufen eingestellt werden.

DE

Beispiel: Speisen für 5 Minuten auftauen und dann für 7 Minuten mit 80 % Mikrowellenleistung garen.

1. Drücken Sie zweimal " $\frac{\text{Weight/Time}}{\text{Defrost}}$ ", dann wird "dEF2" angezeigt.
2. Stellen Sie mit dem Drehknopf die gewünschte Auftauzeit auf 5 Minuten ein.
3. Drücken Sie " Microwave ", dann wird "P100" angezeigt.
4. Stellen Sie mit dem Drehknopf die Leistungsstufe P80 ein. Drücken Sie anschließend " Start/+30Sec. " zum Bestätigen.
5. Stellen Sie mit dem Drehknopf die Zubereitungszeit auf 7 Minuten ein.
6. Drücken Sie " Start/+30Sec. ", um den Garvorgang zu starten.

Schnellgaren

1. Drücken Sie im Standby-Modus "Start/+30Sec.", um die Speisen 30 Sekunden mit 100% Leistung zu garen. Mit jedem Tastendruck verlängern Sie die Zeit um 30 Sekunden, die Höchstzeit beträgt 95 Minuten.
2. Drehen Sie im Standby-Modus den Drehknopf nach links, um eine Garzeit bei 100 % Leistung einzustellen. Stellen Sie die Zubereitungszeit mit dem Drehknopf ein. Der maximale Zeitwert ist 95 Minuten. Drücken Sie "Start/+30Sec.", um den Garvorgang zu starten.

Kindersicherung

Sie können diese Funktion verwenden, um zu verhindern, dass Kinder die Mikrowelle versehentlich einschalten.

Kindersicherung aktivieren:

Halten Sie im Standby-Modus " Stop/Cancel " für 3 Sekunden gedrückt. Es ertönt ein Signalton und " [] " wird angezeigt.

Kindersicherung deaktivieren:

Halten Sie im gesperrten Zustand " Stop/Cancel " für drei Sekunden gedrückt. Es ertönt ein Signalton.

Abfragefunktion

1. Wenn die Uhr eingestellt wurde, wird die Uhrzeit drei Sekunden lang angezeigt, wenn Sie während der Zubereitung "Timer/Clock" drücken.
2. Drücken Sie im Mikrowellenbetrieb "Microwave", um die Leistungsstufe abzufragen. Diese wird 3 Sekunden angezeigt. Beim Grillen und im Modus Kombiniertes Garen kann die Abfrage durch Drücken von "Grill/Combi." abgefragt werden.

Auto-Menü

1. Drehen Sie den Drehknopf nach rechts, dann blinkt "A1".
2. Drehen Sie den Drehknopf weiter, um das gewünschte Menü auszuwählen. Es stehen 8 Auto-Menüs zur Verfügung.
3. Drücken Sie "Start/+30Sec." Bestätigen.
4. Stellen Sie mit dem Drehknopf das Gewicht der Speisen ein.
5. Drücken Sie "Start/+30Sec.", um den Garvorgang zu starten.



HINWEISE

- Ein Öffnen der Mikrowellentür während des Betriebs oder das Drücken von "Stop/Cancel" unterbricht den aktuellen Modus.
- Im Standby-Modus muss der Knopf zuerst nach rechts gedreht werden, um "Auto-Menü" auszuwählen. Drehen Sie den Knopf zuerst nach links, um die Garzeit für das Schnellgaren einzustellen.

Menütabelle:

Menü	Gewicht	Anzeige	Leistung
A-1 Automatisches Aufwärmen	200 g	200	P100
	400 g	400	
	600 g	600	
A-2 Gemüse	200 g	200	P100
	300 g	300	
	450 g	450	
A-3 Fisch	150 g	150	C-2
	300 g	300	
	450 g	450	
A-4 Fleisch	200 g	200	C-2
	300 g	300	
	500 g	500	
A-5 Teigwaren	50 g (mit 450 ml kaltem Wasser)	50	P80
	100 g (mit 800 ml kaltem Wasser)	100	
A-6 Kartoffeln	1 (230 g)	1	P100
	2	2	
	3	3	
A-7 Pizza	200 g	200	P100
	400 g	400	
A-8 Reis	200 g	200	P100+P50
	400 g	400	

DE

REINIGUNG UND PFLEGE

Trennen Sie das Gerät immer vom Stromnetz, bevor Sie es reinigen.

- Reinigen Sie den Garraum der Mikrowelle nach der Benutzung mit einem leicht angefeuchteten Tuch.
- Reinigen Sie die Zubehörteile wie gewohnt in Seifenlauge.
- Türrahmen, Türdichtung und benachbarte Teile müssen bei Verschmutzung sorgfältig mit einem angefeuchteten Tuch gereinigt werden.
- Verwenden Sie keine scharfen, aggressiven Reiniger oder scharfe Metallkratzer, um das Glas der Tür zu reinigen, weil dadurch die Oberfläche zerkratzt werden kann und dies zum Zerspringen des Glases führen könnte.
- Reinigungstipp – Für die einfachere Reinigung der Garraumwände, die in Kontakt mit den Gargut kommen können: Legen Sie eine halbe Zitrone in eine Schüssel, geben Sie 300 ml Wasser hinzu und erhitzen Sie alles 10 Minuten lang mit 100 % Mikrowellenleistung. Wischen Sie die Mikrowelle anschließend mit einem weichen, trockenen Tuch sauber.


PROBLEMBEHEBUNG

Normal	
Die Mikrowelle stört den Fernsehempfang	Radio- und Fernsehempfang können durch den Betrieb der Mikrowelle gestört werden. Dies ähnelt den Störungen durch kleine Elektrogeräte wie beispielsweise Mixer, Staubsauger und Ventilator. Das ist eine normale Erscheinung.
Schwache Innenbeleuchtung	Beim Garen mit niedriger Leistung kann die Helligkeit der Innenbeleuchtung gedimmt sein. Das ist eine normale Erscheinung.
Dampf sammelt sich an der Mikrowellentür, heiße Luft tritt aus den Luftauslässen aus	Beim Garen kann Dampf aus dem Gargut austreten. Der größte Teil davon entweicht über den Luftauslass. Allerdings kann sich immer etwas Dampf an kühlen Stellen wie beispielsweise der Tür sammeln. Das ist eine normale Erscheinung.
Die Mikrowelle wurde versehentlich leer eingeschaltet.	Es ist untersagt, die Mikrowelle leer zu betreiben. Das ist sehr gefährlich.

DE

Problem	Mögliche Ursache	Abhilfe
Die Mikrowelle kann nicht eingeschaltet werden.	<ul style="list-style-type: none"> • Der Netzstecker steckt nicht fest in der Steckdose. 	<ul style="list-style-type: none"> • Ziehen Sie den Netzstecker. Stecken Sie den Netzstecker nach 10 s wieder in die Netzsteckdose.
	<ul style="list-style-type: none"> • Die Sicherung brennt durch oder der Leistungsschalter wird ausgelöst. 	<ul style="list-style-type: none"> • Wechseln Sie die Sicherung oder setzen Sie den Leistungsschalter zurück (Reparatur durch Fachpersonal).
	<ul style="list-style-type: none"> • Probleme mit der Steckdose. 	<ul style="list-style-type: none"> • Überprüfen Sie die Steckdose mit anderen Elektrogeräten.
Die Mikrowelle heizt nicht.	<ul style="list-style-type: none"> • Die Tür ist nicht ordnungsgemäß geschlossen. 	<ul style="list-style-type: none"> • Schließen Sie die Tür der Mikrowelle ordnungsgemäß.

MARKEN, URHEBERRECHTE UND RECHTLICHER HINWEIS

 Midea Logo, Wortmarken, Handelsname, Handelsaufmachung und alle Versionen davon sind wertvolle Vermögenswerte des Midea-Konzerns und/oder seinen verbundenen Unternehmen ("Midea"), an denen Midea Marken-, Urheberrechte und andere geistige Eigentumsrechte besitzt, sowie der gesamte Geschäftswert, der sich aus der Verwendung eines Teils einer Midea-Marke ergibt. Die Verwendung der Midea-Marke zu kommerziellen Zwecken ohne die vorherige schriftliche Zustimmung von Midea kann eine Markenverletzung oder unlauteren Wettbewerb darstellen und gegen die einschlägigen Gesetze verstoßen.

DE

Dieses Handbuch wurde von Midea erstellt und Midea behält sich alle Urheberrechte daran vor. Ohne die vorherige schriftliche Zustimmung von Midea darf weder eine juristische noch eine natürliche Person dieses Handbuch ganz oder teilweise verwenden, vervielfältigen, verändern, verteilen oder mit anderen Produkten bündeln oder verkaufen.

Alle beschriebenen Funktionen und Anleitungen waren zum Zeitpunkt der Drucklegung dieses Handbuchs auf dem neuesten Stand. Das tatsächliche Produkt kann jedoch aufgrund von verbesserten Funktionen und Designs abweichen.

ENTSORGUNG UND RECYCLING

Wichtige Hinweise zum Umweltschutz

Einhaltung der WEEE-Richtlinie und Vorschriften hinsichtlich der umweltgerechten Entsorgung von Elektro- und Elektronik-Altgeräten:

Dieses Produkt entspricht der WEEE-Richtlinie der EU (2012/19/EU). Dieses Produkt trägt ein Klassifizierungssymbol für Elektro- und Elektronikaltgeräte (WEEE).

Dieses Symbol weist darauf hin, dass das Produkt am Ende seiner Nutzungsdauer nicht mit anderen Haushaltsabfällen entsorgt werden darf. Das Altgerät muss bei einer offiziellen Sammelstelle für das Recycling von Elektro- und Elektronikgeräten abgegeben werden. Um diese Sammelstellen zu finden, wenden Sie sich bitte an Ihre örtlichen Behörden oder an den Händler, bei dem Sie das Produkt gekauft haben. Jeder Haushalt spielt eine wichtige Rolle bei der Rücknahme und dem Recycling von Altgeräten. Die ordnungsgemäße Entsorgung von Altgeräten hilft bei der Vermeidung möglicher negativer Folgen für die Umwelt und die menschliche Gesundheit.



DE

Einhaltung der RoHS-Richtlinie

Das von Ihnen erworbene Produkt entspricht der RoHS-Richtlinie der EU (2011/65/EU). Es enthält keine der in dieser Richtlinie aufgeführten schädlichen und verbotenen Materialien.

Hinweise zur Verpackung

Das Verpackungsmaterial für dieses Produkt ist aus wiederverwertbaren Materialien hergestellt und entspricht den nationalen Umweltvorschriften. Entsorgen Sie dieses Verpackungsmaterial nicht über den Hausmüll oder andere Abfälle. Bringen Sie es zu den von den örtlichen Behörden bestimmten Sammelstellen für Verpackungsmaterial.



HINWEISE ZUM DATENSCHUTZ

Für die Erbringung der mit dem Kunden vereinbarten Dienstleistungen, verpflichten wir uns gemäß Vereinbarung mit den Ländern, in denen die Dienstleistungen für den Kunden erbracht werden, zur uneingeschränkten Einhaltung sämtlicher Bestimmungen des geltenden Datenschutzrechts sowie ggf. der EU-Datenschutz-Grundverordnung (DSGVO).

Im Allgemeinen dient unsere Datenverarbeitung der Erfüllung unserer vertraglichen Verpflichtung Ihnen gegenüber und aus Gründen der Produktsicherheit, zur Wahrung Ihrer Rechte im Zusammenhang mit Garantie- und Produktregistrierungsfragen. In einigen Fällen, aber nur wenn ein angemessener Datenschutz gewährleistet ist, können personenbezogene Daten an Empfänger außerhalb des Europäischen Wirtschaftsraums übermittelt werden.

Weitere Informationen erhalten Sie auf Anfrage. Sie können unseren Datenschutzbeauftragten über **MideaDPO@midea.com** kontaktieren. Um Ihre Rechte auszuüben, wie z. B. das Recht auf Widerspruch gegen die Verarbeitung Ihrer personenbezogenen Daten zu Direktmarketingzwecken, kontaktieren Sie uns bitte über **MideaDPO@midea.com**. Um weitere Informationen zu erhalten, folgen Sie bitte dem QR-Code.

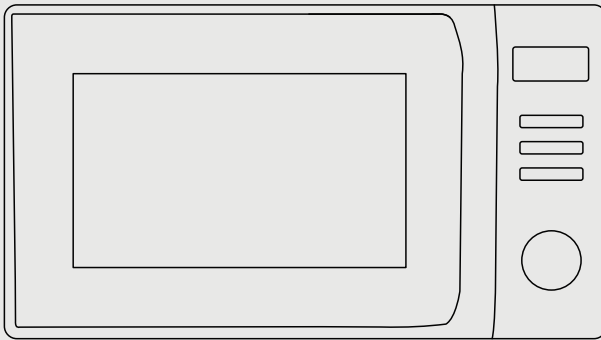


make yourself at home



www.midea.com

© Midea 2024 all rights reserved



FORNO A MICROONDE

MANUALE UTENTE

AG20CF2E
AG20CF2EBK

Note di avvertenza: prima di usare il prodotto, leggere attentamente il presente manuale e conservarlo per riferimenti futuri. Il design e le specifiche sono soggetti a modifiche senza preavviso per il miglioramento del prodotto. Consultare il proprio rivenditore o il produttore per maggiori dettagli. Il disegno sopra riportato viene fornito solo a scopo indicativo. Prendere in considerazione l'aspetto effettivo del prodotto.

LETTERA DI RINGRAZIAMENTO

Grazie per aver scelto Midea! Prima di utilizzare il prodotto Midea, leggere attentamente questo manuale per imparare a utilizzarne in modo sicuro le funzioni.

INDICE

LETTERA DI RINGRAZIAMENTO	IT-01
ISTRUZIONI PER LA SICUREZZA	IT-02
SPECIFICHE	IT-12
PANORAMICA DEL PRODOTTO	IT-13
INSTALLAZIONE DEL PRODOTTO	IT-15
ISTRUZIONI DI FUNZIONAMENTO	IT-16
PULIZIA E MANUTENZIONE	IT-22
RISOLUZIONE DEI PROBLEMI	IT-23
MARCHI, COPYRIGHT E DICHIARAZIONI LEGALI	IT-24
SMALTIMENTO E RICICLAGGIO	IT-25
INFORMATIVA SULLA PROTEZIONE DEI DATI	IT-26

ISTRUZIONI PER LA SICUREZZA

Uso previsto

Le linee guida per la sicurezza che seguono sono pensate per prevenire rischi o danni imprevisti derivanti da un utilizzo non sicuro o errato dell'apparecchio. Alla consegna, verificare l'imballaggio e l'apparecchio per accertarsi che non siano presenti danni, in modo da garantire un funzionamento sicuro. In presenza di danni, contattare il rivenditore o il fornitore. Per tutelare la sicurezza degli utenti, non sono consentite modifiche o alterazioni dell'apparecchio. Ogni utilizzo improprio dell'apparecchio può causare pericoli e invalidare la garanzia.

Spiegazione dei simboli

IT



Pericolo

Questo simbolo indica la presenza di pericoli per la vita e la salute delle persone causati da gas estremamente infiammabili.



Avvertimento sulla tensione elettrica

Questo simbolo indica la presenza di pericoli per la vita e la salute delle persone causati dalla tensione elettrica.



Avvertenza

Questo simbolo indica un rischio di medio livello che, se non evitato, può causare lesioni gravi o la morte.



Cautela

Questo simbolo indica un rischio di basso livello che, se non evitato, può causare lesioni lievi o moderate.



Attenzione

La dicitura di segnalazione indica informazioni importanti (ad es. relative ai danni materiali), ma non situazioni di pericolo.



Seguire le istruzioni

Questo simbolo indica le attività e le operazioni di manutenzione di questo apparecchio che devono essere effettuate solo da un tecnico dell'assistenza nel rispetto delle istruzioni per l'uso.

Prima di utilizzare/mettere in funzione l'apparecchio, leggere attentamente le presenti istruzioni per l'uso e conservarle nelle immediate vicinanze del luogo di installazione o dell'unità per un successivo utilizzo!

Precauzioni per evitare possibili sovraesposizioni alle emissioni di microonde

- a. Non mettere in funzione il forno con lo sportello aperto per evitare il rischio di dannose esposizioni alle microonde. Non rompere o manomettere le serrature di sicurezza.
- b. Non posizionare oggetti tra la parte anteriore del forno e la porta ed evitare l'accumulo di residui e polvere sulle superfici delle guarnizioni.
- c. **AVVERTENZA:** Se lo sportello o le guarnizioni dello sportello presentano danni, non utilizzare il forno fino a quando una persona qualificata non lo abbia riparato.

IT

Addendum

Se non si garantisce un'adeguata pulizia dell'apparecchio, la sua superficie si potrebbe danneggiare, compromettendone la durata e causando potenziali rischi.

▲ AVVERTENZA

Per ridurre il rischio di incendi, scosse elettriche, lesioni alle persone o esposizione a un'eccessiva energia del forno a microonde durante l'utilizzo dell'apparecchio, seguire le precauzioni di base, comprese le seguenti:

- Leggere e seguire le specifiche: "PRECAUZIONI PER EVITARE POSSIBILI SOVRAESPOSIZIONI ALLE EMISSIONI DI MICROONDE".
- Il presente elettrodomestico può essere utilizzato da bambini di età non inferiore a 8 anni e da persone affette da menomazioni fisiche, sensoriali e mentali o prive di conoscenza dell'apparecchiatura, sotto il controllo di apposito personale o dopo essere stati istruiti sull'uso sicuro del dispositivo e sui pericoli che questo implica. Assicurarsi che i bambini non giochino con il dispositivo. La pulizia e la manutenzione dell'utente non devono essere eseguite da bambini senza supervisione.
- Tenere l'apparecchio e il relativo cavo fuori dalla portata dei bambini di età inferiore a 8 anni.
- Se il cavo di alimentazione è danneggiato, deve essere sostituito dal produttore, da suo agente di assistenza o da personale qualificato per evitare rischi.
- **AVVERTENZA:** Assicurarsi che l'apparecchio sia spento prima di sostituire la lampada per evitare la possibilità di scosse elettriche.

- **AVVERTENZA:** Affidarsi esclusivamente a personale competente per effettuare operazioni di riparazione e manutenzione, che richiedono la rimozione delle coperture di protezione contro l'esposizione alle microonde.
- **AVVERTENZA:** Liquidi e altri alimenti non devono essere riscaldati in contenitori sigillati poiché potrebbero esplodere.
- Quando si riscaldano cibi in contenitori di plastica o carta, tenere d'occhio il forno per evitare incendi.
- Utilizzare solo utensili adatti per l'uso nei forni a microonde.
- In caso di emissione di fumo spegnere o scollegare l'apparecchio e tenere chiusa la porta per soffocare eventuali fiamme.
- Il riscaldamento a microonde delle bevande può provocare un'ebollizione ritardata, pertanto è necessario prestare attenzione quando si maneggia il contenitore.
- Il contenuto di biberon e vasetti di alimenti per neonati deve essere mescolato o agitato e la temperatura controllata prima del consumo, al fine di evitare ustioni.
- Le uova con il guscio e le uova sode intere non devono essere riscaldate nei forni a microonde poiché potrebbero esplodere, anche dopo che il riscaldamento a microonde è terminato.
- Il forno deve essere pulito regolarmente e tutti i depositi di cibo devono essere rimossi.

- La mancata manutenzione del forno in condizioni di pulizia potrebbe portare al deterioramento della superficie che potrebbe influire negativamente sulla vita dell'apparecchio e provocare una situazione di pericolo.
- L'apparecchio non deve essere installato dietro uno sportello decorativo, per evitare il surriscaldamento. (Questo non è applicabile agli apparecchi con sportello decorativo.)
- Utilizzare solo la sonda di temperatura consigliata per questo forno. (per i forni dotati della possibilità di utilizzare una sonda di rilevamento della temperatura.)
- Il forno a microonde non deve essere collocato in un armadio a meno che non sia stato testato in un armadio.
- Il forno a microonde deve essere utilizzato con lo sportello decorativo aperto. (per forni con porta decorativa.)
- Questo dispositivo è pensato per uso domestico e per applicazioni simili, come ad esempio:
 - nelle aree cucina dei negozi, degli uffici e altri ambienti di lavoro,
 - dai clienti di hotel, motel e altri edifici residenziali,
 - case coloniche,
 - ambienti tipo bed and breakfast.
- Il forno a microonde è destinato al riscaldamento di cibi e bevande. L'asciugatura di alimenti o indumenti e il riscaldamento di tamponi riscaldanti, pantofole, spugne, panni umidi e simili possono comportare il rischio di lesioni, accensione o incendio.
- I contenitori metallici per cibi e bevande non sono ammessi durante la cottura a microonde.
- L'apparecchio non deve essere pulito con un pulitore a vapore.

- L'apparecchio è concepito per essere utilizzato in posizione indipendente.
- La superficie posteriore degli apparecchi deve essere appoggiata a una parete.
- L'apparecchio non è progettato per funzionare con un timer esterno o con un altro sistema di controllo a distanza separato.
- Quando l'apparecchio è in funzione, la temperatura delle superfici accessibili può essere molto alta.
- **AVVERTENZA:** Quando l'apparecchio funziona in modalità combinata, i bambini devono utilizzare il forno solo sotto la supervisione di un adulto a causa delle temperature generate.

IT

**LEGGERE ATTENTAMENTE E CONSERVARE PER
RIFERIMENTI FUTURI**

Garantire un'adeguata messa a terra dell'impianto per evitare il rischio di lesioni personali

⚠ PERICOLO

Pericolo di Scossa Elettrica

Toccando i componenti interni, ci si espone al rischio di gravi lesioni personali anche mortali. Non smontare l'elettrodomestico.

⚠ AVVERTENZA

Pericolo di Scossa Elettrica

IT

Un uso scorretto della messa a terra può causare il rischio di scosse elettriche. Non collegare l'elettrodomestico a una presa senza averlo correttamente installato e dotato di messa a terra.

Questo elettrodomestico deve essere dotato di messa a terra. In caso di corto circuito elettrico, la messa a terra riduce il rischio di scosse elettriche, grazie alla presenza di un cavo di uscita per la corrente.

Questo elettrodomestico è dotato di cavo con filo e spina di messa a terra. La spina deve essere collegata a una presa correttamente installata e dotata di messa a terra.

In caso di dubbi sulla corretta messa a terra dell'impianto o sulle relative istruzioni, consultare un esperto elettricista o altro personale qualificato.

Se occorre utilizzare una prolunga, servirsi solo di cavi a tre fili.

- Il cavo di alimentazione in dotazione è corto per ridurre i rischi che il filo possa impigliarsi o essere inavvertitamente scollegato.
- In caso di utilizzo di un filo più lungo o di un cavo di prolunga:

- La corrente elettrica nominale del cavo o della prolunga in uso deve essere almeno pari a quella nominale dell'elettrodomestico.
- La prolunga deve essere un cavo a 3 fili con messa a terra.
- Il cavo più lungo dovrà essere sistemato in modo da non avvolgersi al piano di lavoro o alla superficie del tavolo, dove potrebbe essere staccato da bambini o comunque scollegato involontariamente.

Utensili

IT

CAUTELA

Rischio di Lesioni Personali

Affidarsi esclusivamente a personale competente per effettuare operazioni di riparazione e manutenzione, che richiedono la rimozione delle coperture di protezione contro l'esposizione alle microonde.

Consultare le istruzioni nella sezione "Materiali da usare e materiali da evitare in un forno a microonde." Ci sono alcuni utensili non metallici che non possono essere usati con le microonde. In caso di dubbi, è possibile applicare la procedura seguente per testare l'utensile in questione.

Test di utensili:

- Riempire un contenitore utilizzabile nel microonde con una tazza d'acqua fredda (250 ml), dopo avervi inserito l'utensile in questione.
- Attivare la cottura alla massima potenza per 1 minuto.
- Quindi controllare con prudenza l'utensile. Se l'utensile vuoto è caldo, non usarlo per la cottura nel microonde.
- La prova di cottura non deve durare più di un minuto.

Materiali utilizzabili nel forno a microonde

Utensili	Note
Piatto crisp	Seguire le istruzioni del produttore. Il fondo del piatto crisp deve trovarsi almeno 5 mm sopra la piattaforma girevole. Un uso scorretto può causare la rottura della piattaforma girevole.
Stoviglie	Adatto solo alle microonde. Seguire le istruzioni del produttore. Non usare piatti spaccati o scheggiati.
Contenitori in vetro	Rimuovere sempre il coperchio. Usare solo per intiepidire le vivande. La maggior parte dei contenitori di vetro non resistono al calore e potrebbero rompersi.
Stoviglie in vetro	Usare solo stoviglie in vetro resistenti al calore. Assicurarsi che non contengano rivestimenti metallici. Non usare piatti spaccati o scheggiati.
Sacchetti per cottura in forno	Seguire le istruzioni del produttore. Non chiudere con legacci metallici. Praticare delle fessure per consentire l'uscita del vapore.
Piatti e bicchieri di carta	Usare solo per cuocere o riscaldare vivande per brevi durate. Non lasciare incustodito il forno durante la cottura.
Panno di carta	Usare per coprire le vivande che vengono riscaldate o per assorbirne il grasso. Usare solo per cotture di breve durata tenute sotto controllo.
Carta da forno	Usare come copertura per evitare schizzi e fuoriuscite di vapore.
Plastica	Adatto solo alle microonde. Seguire le istruzioni del produttore. Deve contenere l'etichetta "Adatto alle microonde". Alcuni contenitori in plastica si ammorbidiscono quando le vivande in essi contenuti si riscaldano. I "sacchetti da bollitura" e i sacchetti di plastica a chiusura ermetica devono essere forati per garantirne la ventilazione, come indicato sull'etichetta della confezione.
Avvolgimento in plastica	Adatto solo alle microonde. Usare per la copertura delle vivande durante la cottura per conservarne l'umidità. Evitare che l'avvolgimento in plastica venga a contatto con le vivande.
Termometri da forno	Adatto solo alle microonde (termometri da forno per carne e dolci).
Carta oleata	Usare come copertura per evitare schizzi e conservare l'umidità.

Materiali da non utilizzare nel forno a microonde

Utensili	Note
Vassoi in alluminio	Può causare la formazione di archi elettrici. Spostare le vivande in piatti adatti all'uso nel microonde.
Contenitori di carta per alimenti con maniglie metalliche	Può causare la formazione di archi elettrici. Spostare le vivande in piatti adatti all'uso nel microonde.
Utensili in metallo o con finiture metalliche	I metalli impediscono l'esposizione delle vivande all'emissione delle microonde. I rivestimenti metallici possono causare la formazione di archi elettrici.
Legacci in filo metallico	Possono causare la formazione di archi elettrici e incendi nel forno.
Sacchetti di carta	Possono causare incendi nel forno.
Schiuma plastica	La schiuma plastica può sciogliersi o contaminare i liquidi interni se esposta ad alte temperature.
Legno	Il legno si essicca se utilizzato nel microonde, dividendosi o spaccandosi.

IT

SPECIFICHE

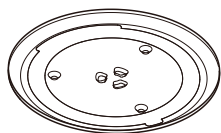
MODELLO	AG20CF2E / AG20CF2EBK
TENSIONE NOMINALE	230 V-
FREQUENZA NOMINALE	50 Hz
INGRESSO NOMINALE	1050 W
POTENZA NOMINALE (MICROONDE)	700 W
INGRESSO NOMINALE (GRIGLIA)	1000 W

PANORAMICA DEL PRODOTTO

Nomi di componenti e accessori del forno

(In caso di divergenze tra l'apparecchio e le immagini nel presente manuale, farà fede il prodotto effettivo.)

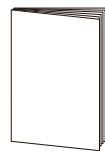
Rimuovere il forno e tutti i materiali dalla confezione di cartone e dalla cavità del forno. Il forno è dotato dei seguenti accessori:



Vassoio di vetro



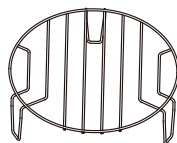
Complesso piattaforma girevole



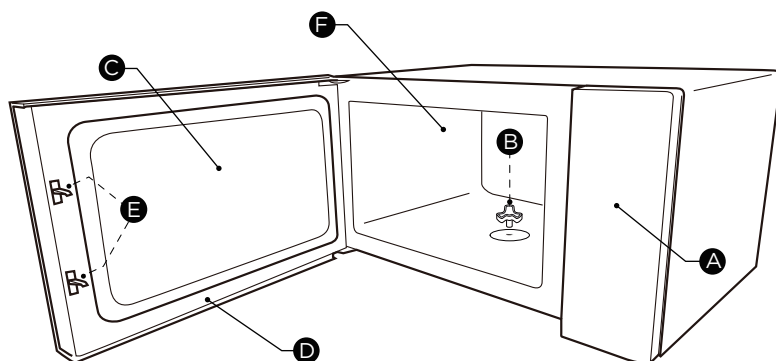
Manuale di istruzioni



Albero piattaforma girevole



Ripiano per griglia (non può essere utilizzato nella funzione microonde e deve essere posizionato sul vassoio in vetro)

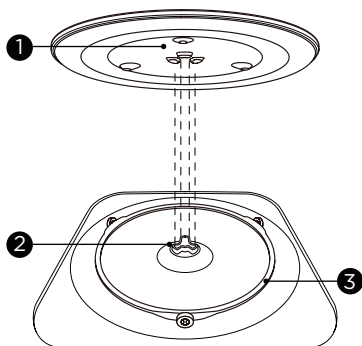


- A) Pannello di controllo
- B) Albero piattaforma girevole
- C) Finestra di osservazione

- D) Complesso sportello
- E) Sistema di interblocco di sicurezza
- F) Cavità forno

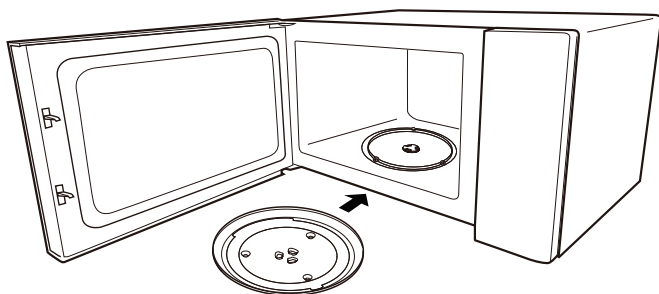
Installazione Piattaforma Girevole

Pulire il vano di cottura e sistemarvi il piatto rotante. Per i nuovi impianti, verificare che tutti i materiali di imballaggio e gli adesivi della confezione siano stati rimossi dall'albero del piatto rotante. Prima di usare per la prima volta l'elettrodomestico per la cottura del cibo, sistemare correttamente il piatto rotante. Pulire il vano di cottura e gli accessori.



Sistemazione del piatto rotante:

1. Sistemare il complesso del piatto rotante (3) nell'incasso del vano di cottura.
2. Posizionare il vassoio di vetro (1) sui gruppi di anelli della piattaforma girevole (3). Far combaciare le linee curve sopraelevate nella parte centrale del vassoio di vetro alle raggiere dell'albero. Assicurarsi che il vassoio di vetro (1) si agganci all'albero del piatto rotante (2) al centro del pavimento del vano di cottura. Le rotelle dell'albero dovranno infilarsi all'interno della parte dorsale inferiore del piatto girevole.



NOTE

- Non usare mai l'elettrodomestico senza piatto rotante. Assicurarsi che sia saldamente agganciato. Il piatto può ruotare in senso orario e antiorario.
- Non capovolgere mai il vassoio di vetro. Il vassoio di vetro non deve mai essere ristretto.
- Sia il vassoio di vetro che il complesso della piattaforma girevole devono essere sempre usati durante la cottura.
- Tutti gli alimenti e i loro contenitori devono essere collocati sul vassoio di vetro durante la cottura.
- Non limitare mai i movimenti del piatto rotante.
- Se il vassoio di vetro o il complesso della piattaforma girevole si rompono, contattare immediatamente il centro di assistenza autorizzato più vicino.

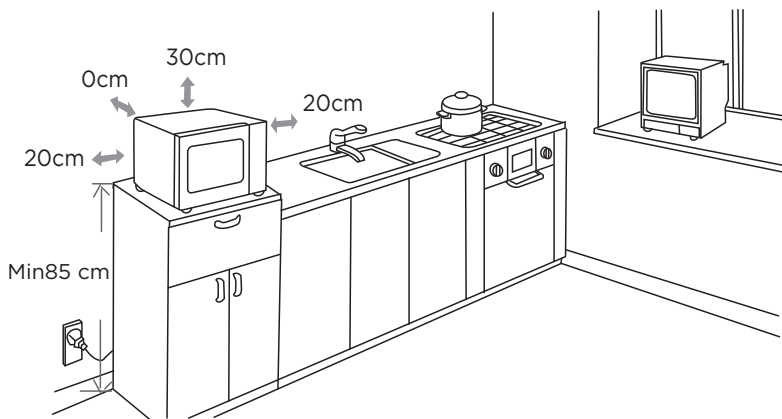
INSTALLAZIONE DEL PRODOTTO

Installazione sul piano di lavoro

Rimuovere tutti i materiali di imballaggio e gli accessori. Verificare che il forno non presenti rotture della porta o altri danni. Non installare il forno se è danneggiato. Mobile: Rimuovere eventuali pellicole protettive presenti sulla superficie del mobile del forno a microonde. Non rimuovere il coperchio della guida d'onda che è applicato sulla cavità del forno per proteggerne il magnetrone.

Installazione

1. Scegliere una superficie piana che disponga di spazio libero sufficiente per le aperture di aspirazione e scarico.



- L'altezza minima di installazione è di 85 cm.
 - La superficie posteriore degli apparecchi deve essere appoggiata a una parete. Lasciare uno spazio minimo di 30 cm sopra il forno e uno spazio di almeno 20 cm tra il forno e le pareti adiacenti.
 - Non rimuovere le gambe dalla parte inferiore del forno.
 - L'ostruzione delle aperture di aspirazione e/o scarico potrebbe danneggiare il forno.
 - Collocare il forno alla massima distanza possibile da radio e televisori. L'utilizzo del forno a microonde può causare interferenze alla ricezione di radio e televisione.
2. Collegare il forno a una presa domestica standard. Verificare che tensione e frequenza dell'elettricità domestica siano uguali a quelle nominali indicate sull'etichetta dell'elettrodomestico.

⚠ AVVERTENZA

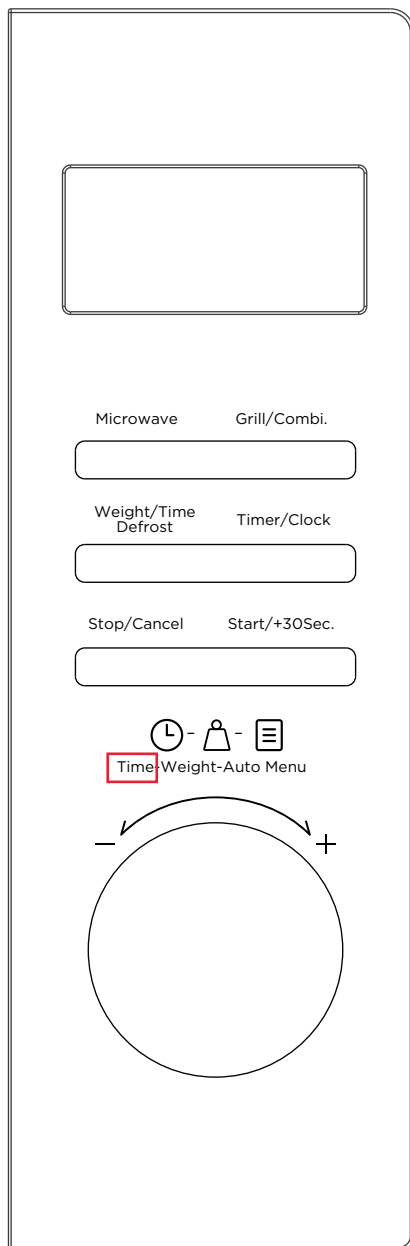
Non installare il forno su un piano di cottura o su altri elettrodomestici che producono calore. Se il forno venisse installato in prossimità di una fonte di calore, potrebbe danneggiarsi e la garanzia non sarebbe più valida.

La superficie di accesso potrebbe surriscaldarsi durante il funzionamento.



ISTRUZIONI DI FUNZIONAMENTO

IT



Impostazione dell'orologio

1. Premere due volte "Timer/Clock " e sul display verrà visualizzato "00:00".
2. Ruotare la manopola per impostare le cifre delle ore. L'intervallo deve essere compreso tra 0 e 23.
3. Premere "Timer/Clock " per confermare.
4. Ruotare la manopola per impostare le cifre dei minuti. L'intervallo deve essere compreso tra 0 e 59.
5. Premere "Timer/Clock " per confermare. L'orologio è stato impostato.

NOTA

- L'orologio viene visualizzato con il formato a 24 ore. Se l'orologio non è impostato, non funzionerà dopo l'accensione del forno.
- Per resettare l'orologio, ripetere i passaggi da 1 a 5.
- Dopo il passaggio 4, se "Timer/Clock " non viene premuto o non viene effettuata alcuna operazione entro 1 minuto, l'impostazione non è valida.

IT

Impostazione del timer di cottura

1. Premere una volta "Timer/Clock " e sul display verrà visualizzato "0:00".
2. Ruotare la manopola per impostare il tempo desiderato. Il massimo valore ammesso è "95:00".
3. Premere "Start/+30Sec." per confermare. Il timer inizia il conto alla rovescia.

NOTA

Non è possibile impostare altri programmi durante il timer di cottura.

Cottura a microonde

Livello di potenza

Sono disponibili 5 livelli di potenza.

Livello di potenza	Display
100%	P100
80%	P80
50%	P50
30%	P30
10%	P10

1. Premere "Microwave " e sul display verrà visualizzato "P100".
2. Premere "Microwave " più volte o ruotare la manopola per scegliere il livello di potenza. Sono disponibili 5 livelli di potenza.
3. Premere "Start/+30Sec." per confermare.
4. Ruotare la manopola per regolare il tempo di cottura. Il massimo valore ammesso è "95:00".
5. Premere "Start/+30Sec." per avviare la cottura.

NOTA

L'apertura dello sportello del forno o la pressione di " Stop/Cancel " durante l'operazione interromperà la modalità corrente.

Cottura sulla piastra

1. Premere " Grill/Combi. " e sul display verrà visualizzato "G-1".
2. Premere " Start/+30Sec. " per confermare.
3. Ruotare la manopola per impostare il tempo di cottura. Il massimo valore ammesso è "95:00".
4. Premere " Start/+30Sec. " per avviare la cottura.

NOTA

Trascorsa la metà del tempo, il cicalino suona per ricordare di girare gli alimenti. Se non si eseguono operazioni, il forno continua a funzionare.

Cottura combinata

1. Premendo due o tre volte " Grill/Combi. " verrà visualizzato "C-1", "C-2".
2. Premere " Start/+30Sec. " per confermare.
3. Ruotare la manopola per impostare il tempo di cottura. Il massimo valore ammesso è "95:00".
4. Premere " Start/+30Sec. " per avviare la cottura.

Funzione	Display	Potenza Microonde	Potenza griglia
Combi. 1	C-1	55%	45%
Combi. 2	C-2	36%	64%

Scongelamento in base al Peso

1. Premere una volta " $\frac{\text{Weight/Time}}{\text{Defrost}}$ " e sullo schermo verrà visualizzato "dEF1".
2. Ruotare la manopola per impostare il peso degli alimenti. L'intervallo di pesi ammissibili è 100 - 2000 g.
3. Premere " Start/+30Sec. " per avviare lo scongelamento.

NOTA

Il cicalino suonerà per ricordare di girare gli alimenti durante lo scongelamento. Se non si eseguono operazioni, il forno continua a funzionare.

Scongelamento in base a Tempo

1. Premere due volte " $\frac{\text{Weight/Time}}{\text{Defrost}}$ " e sullo schermo verrà visualizzato "dEF2".
2. Ruotare la manopola per impostare il tempo di scongelamento desiderato. Il massimo valore ammesso è "95:00".
3. Premere " Start/+30Sec. " per avviare lo scongelamento.

● NOTA

- Trascorsa la metà del tempo, il cicalino suona per ricordare di girare gli alimenti. Se non si eseguono operazioni, il forno continua a funzionare.
- La potenza di scongelamento è P30 e non può essere modificata.

Cottura Multifase

● NOTE

- Nella cottura multifase è possibile impostare due fasi di cottura.
- Se si imposta la funzione di scongelamento, quest'ultima verrà attivata automaticamente nella prima fase.
- Timer di cottura e Menu automatico non possono essere impostati come una delle fasi multiple di cottura.

Esempio: scongelare gli alimenti per 5 minuti e cuocere a microonde all'80% di potenza per 7 minuti.

1. Premere due volte " **Weight/Time** " e sullo schermo verrà visualizzato "DEF2".
2. Ruotare la manopola per impostare il tempo di scongelamento di 5 minuti.
3. Premere " **Microwave** " e sul display verrà visualizzato "P100".
4. Ruotare la manopola per impostare il livello di potenza di P80. Quindi premere " **Start/+30Sec.** " per confermare.
5. Ruotare la manopola per impostare il tempo di cottura di 7 minuti.
6. Premere " **Start/+30Sec.** " per avviare la cottura.

Cottura veloce

1. In stato di attesa, premere " **Start/+30Sec.** " per cuocere gli alimenti con il 100% di potenza per 30 secondi. Ad ogni pressione dello stesso tasto l'incremento è di 30 secondi mentre il valore massimo è di 95 minuti.
2. In stato di attesa, ruotare la manopola sinistra per impostare il tempo di cottura con il 100% di potenza. Quindi continuare a ruotare la manopola per regolare. Il massimo valore ammesso è 95 minuti. Premere " **Start/+30Sec.** " per avviare la cottura.

Funzione di blocco per bambini

È possibile utilizzare tale funzione per impedire ai bambini di accendere accidentalmente il forno.

Per attivare il blocco:

In modalità standby, tenere premuto " **Stop/Cancel** " per tre secondi. Verrà emesso un segnale acustico e sarà visualizzato " **— — —** ".

Per disattivare il blocco:

In stato di blocco, premere e tenere premuto " **Stop/Cancel** " per tre secondi. Viene emesso un suono acustico.

Funzione di interrogazione

1. Se l'orologio è stato impostato, l'ora corrente viene visualizzata per tre secondi premendo "Timer/Clock" in stato di cottura.
2. Nella cottura a microonde, premere "Microwave" per conoscere il livello di potenza. Verrà visualizzato per tre secondi. Durante la griglia e la cottura combinata, per conoscere il livello di potenza è possibile premere "Grill/Combi."

Menu Automatico

1. Ruotando la manopola a destra, lampeggerà "A-1".
2. Continuare a ruotare la manopola dei parametri per selezionare il menu richiesto. Sono disponibili 8 menu automatici.
3. Premere "Start/+30Sec." per confermare.
4. Ruotare la manopola per impostare il peso degli alimenti.
5. Premere "Start/+30Sec." per avviare la cottura.

NOTE

- L'apertura dello sportello del forno o la pressione di "Stop/Cancel" durante l'operazione interromperà la modalità corrente.
- Per selezionare "Menu Automatico", è necessario per prima cosa ruotare la manopola a destra durante la modalità standby. Ruotando prima la manopola a sinistra sarà visualizzato il tempo di cottura della cottura rapida.

Grafico del menu:

Menu	Peso	Display	Potenza
A-1 Riscaldamento automatico	200 g	200	P100
	400 g	400	
	600 g	600	
A-2 Verdure	200 g	200	P100
	300 g	300	
	450 g	450	
A-3 Pesce	150 g	150	C-2
	300 g	300	
	450 g	450	
A-4 Carne	200 g	200	C-2
	300 g	300	
	500 g	500	
A-5 Pasta	50 g (con 450 g di acqua fredda)	50	P80
	100 g (con 800 g di acqua fredda)	100	
A-6 Patate	1 (230 g)	1	P100
	2	2	
	3	3	
A-7 Pizza	200 g	200	P100
	400 g	400	
A-8 Riso	200 g	200	P100+P50
	400 g	400	

IT

PULIZIA E MANUTENZIONE

Assicurarsi di scollegare l'elettrodomestico dall'alimentazione elettrica.

- Dopo l'uso, pulire la cavità del forno con un panno leggermente inumidito.
- Pulire gli accessori come al solito con acqua e sapone.
- Il telaio e la guarnizione della porta, nonché le parti nelle loro vicinanze, devono essere puliti accuratamente con un panno umido se si sporcano.
- Non usare detergenti abrasivi o oggetti metallici appuntiti per pulire la parte in vetro della porta del forno per evitare di graffiarne la superficie e frantumare il vetro.
- Suggestioni di Pulizia --- Per pulire al meglio le pareti della cavità che possono venire a contatto con i cibi cotti: Sistemare mezzo limone in una scodella, aggiungendovi 300 ml di acqua, e attivare il microonde al 100% della potenza per 10 minuti. Pulire il forno usando un panno morbido, asciutto e pulito.


RISOLUZIONE DEI PROBLEMI

Normale	
Interferenza del forno a microonde con la ricezione TV	La ricezione radiotelevisiva può subire interferenze dal funzionamento del forno a microonde. È simile all'interferenza prodotta da altri piccoli elettrodomestici, quali miscelatori, aspirapolvere e ventilatori elettrici. Questo è del tutto normale.
Illuminazione del forno ridotta	In caso di cottura a microonde a bassa potenza, può verificarsi una riduzione della luce del forno. Questo è del tutto normale.
Accumulo di vapore sulla porta, fuoriuscita di aria calda dalle aperture	Durante la cottura, le vivande possono emettere vapore. La maggior parte uscirà attraverso le aperture. Ma possono verificarsi degli accumuli su superfici fredde, quali la porta del forno. Questo è del tutto normale.
Forno attivato accidentalmente senza alimenti all'interno.	L'unità non può essere messa in funzione senza alimenti al suo interno. Potrebbe essere molto pericoloso.

IT

Problema	Possibile Causa	Rimedio
Impossibile avviare il forno.	<ul style="list-style-type: none"> Il cavo di alimentazione non è collegato correttamente. 	<ul style="list-style-type: none"> Scollegare la spina. Quindi ricollegare la spina dopo 10 secondi.
	<ul style="list-style-type: none"> Il fusibile si è bruciato o è scattato interruttore automatico. 	<ul style="list-style-type: none"> Sostituire il fusibile o ripristinare l'interruttore di circuito (per la riparazione affidarsi a personale qualificato della nostra società)
	<ul style="list-style-type: none"> Problema della presa. 	<ul style="list-style-type: none"> Controllare il funzionamento della presa con altri elettrodomestici.
Il forno non si riscalda.	<ul style="list-style-type: none"> Lo sportello non è chiuso correttamente. 	<ul style="list-style-type: none"> Chiudere bene la porta.

MARCHI, COPYRIGHT E DICHIARAZIONI LEGALI

Il logo  Midea, i marchi denominativi, il nome commerciale, i tratti distintivi del marchio e tutte le possibili versioni dello stesso sono beni di proprietà del Gruppo Midea e/o delle sue affiliate (di seguito "Midea"), di cui Midea detiene i marchi, i copyright e altri diritti di proprietà intellettuale, nonché i diritti di avviamento derivanti dall'uso anche parziale di un marchio Midea. L'uso del marchio Midea per scopi commerciali senza il previo consenso scritto di Midea può costituire una violazione del marchio o un atto di concorrenza sleale che viola le leggi vigenti.

IT Questo manuale è stato creato da Midea e la stessa Midea si riserva tutti i diritti d'autore. Nessun ente o individuo può utilizzare, duplicare, modificare, distribuire, totalmente o in parte, il presente manuale, né abbinarlo o venderlo con altri prodotti senza il previo consenso scritto di Midea.

Tutte le funzioni e le istruzioni descritte nel presente sono aggiornate al momento della stampa del manuale. Tuttavia, il prodotto reale può variare a causa di funzioni e design migliorati.

SMALTIMENTO E RICICLAGGIO

Istruzioni importanti per l'ambiente

Conformità con la direttiva RAEE sui rifiuti di apparecchiature elettriche ed elettroniche: Questo prodotto è conforme alla Direttiva RAEE (2012/19/UE). Questo prodotto reca il simbolo di classificazione per i rifiuti di apparecchiature elettriche ed elettroniche (RAEE).

Questo simbolo indica che il prodotto non deve essere smaltito con i normali rifiuti domestici al termine della sua vita utile. L'apparecchio usato deve essere riconsegnato a un punto di raccolta autorizzato per il riciclaggio delle apparecchiature elettriche ed elettroniche. Per trovare questi sistemi di raccolta, rivolgersi alle autorità locali o al rivenditore presso il quale è stato acquistato il prodotto. Ogni famiglia svolge un ruolo importante nel recupero e nel riciclo dei vecchi elettrodomestici. Uno smaltimento adeguato degli apparecchi usati aiuta a prevenire conseguenze potenzialmente negative per l'ambiente e la salute delle persone.



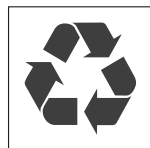
IT

Conformità con la direttiva RoHS

Il prodotto acquistato è conforme alla Direttiva RoHS (2011/65/UE). Il prodotto non contiene materiali nocivi e vietati specificati nella direttiva.

Informazioni sull'imballaggio

L'imballaggio del prodotto è realizzato con materiali riciclabili, in conformità con le normative ambientali nazionali. Non smaltire i materiali di imballaggio insieme ai normali rifiuti domestici o con i rifiuti indifferenziati, bensì consegnarli presso un punto di raccolta per materiali da imballaggio predisposti dall'amministrazione locale.



INFORMATIVA SULLA PROTEZIONE DEI DATI

Per la fornitura dei servizi concordati con il cliente, dichiariamo di rispettare senza limitazioni tutte le disposizioni delle leggi sulla protezione dei dati applicabili, in conformità con le normative dei Paesi nei quali forniremo i servizi al cliente e, dove applicabile, con il Regolamento generale sulla protezione dei dati (GDPR) dell'Unione Europea.

In generale, elaboriamo i dati per rispettare gli obblighi contrattuali con i clienti, per motivi legati alla sicurezza dei prodotti, per salvaguardare i diritti dei clienti relativi alla garanzia e per le domande sulla registrazione dei prodotti. In alcuni casi, ma solo qualora sia garantita un'adeguata protezione dei dati personali, questi possono essere trasferiti a destinatari che risiedono al di fuori dello Spazio economico europeo.

Ulteriori informazioni sono disponibili su richiesta. È possibile contattare il nostro responsabile della protezione dei dati scrivendo a **MideaDPO@midea.com**. Per esercitare i propri diritti, come il diritto di opposizione al trattamento dei propri dati personali per scopi di marketing diretto, è possibile contattarci scrivendo a **MideaDPO@midea.com**. Per ulteriori informazioni, utilizzare il codice QR.

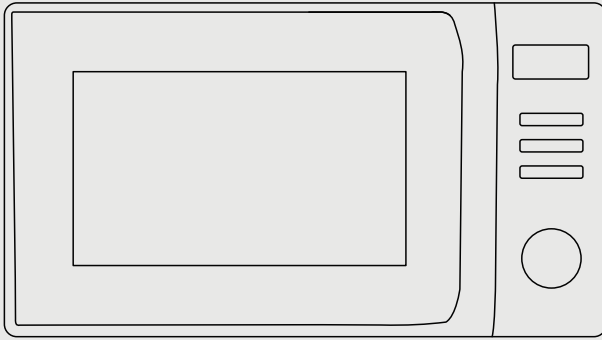


make yourself at home



www.midea.com

© Midea 2024 all rights reserved



HORNO DE MICROONDAS

MANUAL DE USUARIO

**AG20CF2E
AG20CF2EBK**

Avisos de advertencia: Antes de usar este producto, lea detenidamente este manual y guárdelo para futuras consultas. El diseño y especificaciones están sujetos a cambios sin previo aviso con el objetivo de mejorar el producto. Consulte con su distribuidor o fabricante para obtener más detalles. El gráfico anterior sirve solo como referencia. Asuma la apariencia del producto actual como el estándar.

CARTA DE AGRADECIMIENTO

¡Gracias por elegir Midea! Antes de usar su nuevo producto Midea, lea detenidamente este manual para asegurarse de que sabe cómo operar las características y funciones que su nuevo aparato ofrece de forma segura.

CONTENIDOS

CARTA DE AGRADECIMIENTO	ES-01
INSTRUCCIONES DE SEGURIDAD	ES-02
ESPECIFICACIONES	ES-12
VISTA GENERAL DEL PRODUCTO	ES-13
INSTALACIÓN DEL PRODUCTO	ES-15
INSTRUCCIONES DE FUNCIONAMIENTO	ES-16
LIMPIEZA Y MANTENIMIENTO	ES-22
PROBLEMAS Y SOLUCIONES	ES-23
MARCAS REGISTRADAS, DERECHOS DE AUTOR Y DECLARACIÓN LEGAL	ES-24
ELIMINACIÓN Y RECICLAJE	ES-25
AVISO DE PROTECCIÓN DE DATOS	ES-26

ES

INSTRUCCIONES DE SEGURIDAD

Uso previsto

Las siguientes pautas de seguridad tiene como objetivo evitar riesgos o daños imprevistos debido al uso inseguro o incorrecto del aparato. Por favor, verifique el empaque y el producto a su llegada para asegurarse de que todo está intacto para garantizar un funcionamiento seguro. Si encuentra algún daño, póngase en contacto con el vendedor o distribuidor. Tenga en cuenta que no se permiten modificaciones o alteraciones en el aparato por razones de seguridad. El uso no previsto puede causar peligros y la pérdida de derechos de garantía.

Explicación de los símbolos

ES



Peligro

Este símbolo indica que existen peligros para la vida y la salud de las personas debido a los gases extremadamente inflamables.



Advertencia de tensión eléctrica

Este símbolo indica que existe un peligro para la vida y la salud de las personas debido a la tensión.



Advertencia

La señal indica un riesgo de nivel medio que, si no se evita, puede provocar la muerte o una lesión grave.



Precaución

La señal indica un riesgo de nivel bajo, que si no se evita, puede provocar una lesión leve o moderada.



Atención

La señal indica información importante (por ejemplo, daños a la propiedad), pero no peligro.



Cumplir con las instrucciones

Este símbolo indica que únicamente un técnico de mantenimiento debe operar y realizar el mantenimiento de este aparato conforme a las instrucciones de funcionamiento.

Lea detenidamente estas instrucciones de funcionamiento antes de usar/poner en funcionamiento la unidad y guárdelas cerca del lugar de la instalación o de la unidad para consultas futuras.

Precauciones para evitar una posible exposición a una energía excesiva del microondas

- a. No intente operar este horno con la puerta abierta ya que esto puede provocar una exposición nociva a la energía del microondas. Es importante no romper o interferir en los cierres de seguridad.
- b. No coloque ningún objeto entre la cara delantera del horno y la puerta o permita que residuos de suelo o limpiador se acumulen en las superficies de sellado.
- c. **ADVERTENCIA:** Si la puerta o los sellos de la puerta presentan daños, no se debe operar el horno hasta que se haya reparado por parte de una persona competente.

ES

Apéndice

Si el aparato no se mantiene en un buen estado de limpieza, su superficie puede degradarse y afectar la vida útil del aparato y provocar una situación peligrosa.

⚠ ADVERTENCIA

Para reducir el riesgo de incendio, descarga eléctrica, lesiones a personas o exposición a una energía excesiva del horno microondas cuando use el aparato, siga precauciones básicas, incluyendo las siguientes:

- Lea y siga estos puntos específicos: "PRECAUCIONES PARA EVITAR UNA POSIBLE EXPOSICIÓN A UNA ENERGÍA EXCESIVA DEL MICROONDAS".
- Este aparato pueden usarlo niños con una edad de 8 años o más y personas con capacidades físicas, sensoriales o mentales reducidas o falta de experiencia o conocimientos siempre y cuando se les haya supervisado o hayan recibido instrucciones respecto al uso del aparato de forma segura y entiendan los riesgos que implica. Los niños no deben jugar con el aparato. Los niños no deben realizar la limpieza o el mantenimiento del usuario sin supervisión.
- Mantenga el aparato y su cable alejado del alcance de los niños menores de 8 años.
- Si el cable de alimentación presenta daños, el fabricante, su agente de servicio o personas con una cualificación similar deben sustituirlo para evitar cualquier riesgo.
- **ADVERTENCIA:** Asegúrese de que el aparato está apagado antes de sustituir la bombilla para evitar la posibilidad de una descarga eléctrica.

- **ADVERTENCIA:** Es peligroso para cualquiera excepto para una persona competente realizar ninguna operación de servicio o mantenimiento que implique la retirada de la carcasa que ofrece protección frente a la exposición de la energía del microondas.
- **ADVERTENCIA:** No se deben calentar líquidos u otros alimentos en recipientes sellados ya que es probable que exploten.
- Cuando se calienten alimentos en recipientes de plástico o papel, vigílelos en el horno debido a la posibilidad de ignición.
- Use únicamente utensilios que sean aptos para su uso en hornos microondas.
- Si se emite humo, apague o desenchufe el aparato y mantenga la puerta cerrada para contener cualquier llama.
- El calentamiento con el microondas de bebidas puede provocar un hervido eruptivo retardado y, por lo tanto, se debe tener cuidado cuando se maneje el recipiente.
- Los contenidos de biberones y jarras de alimentos infantiles deben agitarse o moverse y se debe comprobar la temperatura antes de su consumo para evitar quemaduras.
- Los huevos en su cáscara y los huevos cocidos no deben calentarse en hornos microondas ya que pueden explotar incluso después de que haya finalizado el calentamiento en el microondas.
- El horno debe limpiarse regularmente y eliminarse cualquier depósito de alimentos.

- En caso de no mantener el horno en condiciones de limpieza, se puede provocar un deterioro de la superficie que puede afectar de forma negativa a la vida útil del aparato y probablemente provocar una situación peligrosa.
- El aparato no debe instalarse detrás de una puerta decorativa para evitar el sobrecalentamiento. (Esto no es aplicable a aparatos con una puerta decorativa.)
- Use únicamente la sonda de temperatura recomendada para este horno. (para hornos proporcionados con un servicio para usar una sonda sensible a la temperatura.)
- El horno microondas no debe colocarse en un armario salvo que se haya probado dentro del mismo.
- El horno microondas debe operarse con la puerta decorativa abierta. (Para hornos con una puerta decorativa.)
- Este aparato ha sido diseñado para uso doméstico y aplicaciones similares, como:
 - zonas de personal de cocina en tiendas, oficinas y otros entornos laborales;
 - por parte de clientes en hoteles, moteles y otros entornos de tipo residencial;
 - casas rústicas;
 - en entornos de tipo hostel.
- El horno microondas está diseñado para el calentamiento de alimentos y bebidas. El secado de alimentos o ropa y el calentamiento de mantas eléctricas, zapatillas, esponjas, paños húmedos y similares puede provocar riesgo de lesiones, ignición o incendio.
- No se permiten recipientes metálicos para alimentos y bebidas durante el cocinado con el microondas.
- El aparato no debe limpiarse con un limpiador a vapor.

- El aparato está diseñado para usarse de forma independiente.
- La superficie posterior del aparato debe colocarse contra una pared.
- Los aparatos no están diseñados para operarse por medio de un temporizador externo o un sistema de mando a distancia separado.
- La temperatura de las superficies accesibles debe ser alta cuando el aparato esté en funcionamiento.
- **ADVERTENCIA:** Cuando el aparato está funcionando en el modo combinado, los niños solo deben usarlo bajo la supervisión de un adulto debido a las temperaturas generadas.

ES

**LÉALO DETENIDAMENTE Y GUÁRDELO COMO
REFERENCIA FUTURA**

Para reducir el riesgo de lesiones a personas se requiere una instalación a tierra

⚠ PELIGRO

Riesgo de descarga eléctrica

Tocar alguno de los componentes internos puede provocar graves lesiones personales o la muerte. No desmonte este aparato.

⚠ ADVERTENCIA

Riesgo de descarga eléctrica

Un uso inadecuado de la toma a tierra puede provocar una descarga eléctrica. No lo enchufe en una toma hasta que el aparato esté debidamente instalado y conectado a tierra.

Este aparato debe conectarse a tierra. En caso de que se produzca un cortocircuito eléctrico, la toma a tierra reduce el riesgo de descarga eléctrica ofreciendo un cable de escape para la corriente eléctrica.

Este aparato está equipado con un cable que tiene un cable a tierra con un enchufe a tierra. El enchufe debe conectarse a una toma que esté debidamente instalada y conectada a tierra.

Consulte con un electricista cualificado o un reparador si no comprende totalmente las instrucciones a tierra o si tiene dudas de si el aparato está debidamente conectado a tierra.

Si es necesario utilizar un cable eléctrico de extensión, utilice únicamente un cable de 3 hilos.

- Se proporciona un cable de alimentación corto para reducir los riesgos que se derivan de que se enrede o que se tropiecen con él como con un cable largo.
- Si se emplea un cable largo o un cable de extensión:
 - La clasificación eléctrica que aparece marcada en el juego de cables o el cable de extensión debe ser

como mínimo igual que la clasificación eléctrica del aparato.

- El cable de extensión debe ser de tipo a tierra de 3 cables.
- El cable largo debe disponerse de forma que no coloque sobre la encimera o tablero donde los niños puedan tirar de él o puedan tropezarse con él de forma no intencionada.

Utensilios

PRECAUCIÓN

Riesgo de lesiones personales

Es peligroso para cualquiera excepto para una persona competente realizar ninguna operación de servicio o mantenimiento que implique la retirada de la carcasa que ofrece protección frente a la exposición de la energía del microondas. Véase las instrucciones de «Materiales que puede usar en el horno microondas o materiales a evitar en el horno microondas.» Puede ser que ciertos utensilios no metálicos no sean seguros para usar en el microondas. Si tiene cualquier duda, puede probar el utensilio en cuestión siguiendo el procedimiento que aparece debajo.

Prueba de utensilios:

- Llene un recipiente para microondas con 1 tapa de agua fría (250 ml) conjuntamente con el utensilio en cuestión.
- Cocínelo a máxima potencia durante 1 minuto.
- Toque con cuidado el utensilio. Si el utensilio vacío está caliente, no lo use para el cocinado con microondas.
- No supere un tiempo de cocinado de 1 minuto.

Materiales que puede usar en un horno microondas

Utensilios	Comentarios
Plato para dorar	Siga las instrucciones del fabricante. El fondo del plato para dorar debe de estar al menos 5 mm (3/16 pulgadas) por encima del plato giratorio. Un uso incorrecto puede provocar que se rompa el plato giratorio.
Platos y cubiertos	Solo para microondas. Siga las instrucciones del fabricante. No use platos rajados o astillados.
Jarras de cristal	Retire siempre la tapa. Úselo únicamente para calentar alimentos hasta que estén calientes. La mayoría de las jarras de cristal no son resistentes al calor y pueden romperse.
Cristalería	Utilice únicamente vidrio resistente al calor del horno. Asegúrese de que no tiene un borde metálico. No use platos rajados o astillados.
Bolsas para cocina en horno	Siga las instrucciones del fabricante. No lo cierre con un lazo metálico. Realice rajaduras para permitir que escape el vapor.
Platos y tazas de papel	Úselo únicamente para cocinar/calentar a corto plazo. No lo deje sin atender mientras cocina.
Toallitas de papel	Use una cubierta alimentaria para recalentar y absorber la grasa. Úselo con supervisión para la cocina a corto plazo solo.
Papel de pergamino	Úselo como una tapa para evitar salpicaduras o como un envoltorio para el vapor.
Plástico	Solo para microondas. Siga las instrucciones del fabricante. Debe estar etiquetado como « Seguro para microondas ». Algunos recipientes de plástico se ablandan, a medida de que los alimentos en su interior se calientan. Las « bolsas de cocción » y las bolsas de plástico debe tener ranuras, estar agujereadas o con ventilación tal y como diga el envase.
Envoltorio de plástico	Solo para microondas. Úselo para cubrir los alimentos durante el cocinado para retener la humedad. No deje que el envoltorio plástico toque los alimentos.
Termómetros	Únicamente seguros para el microondas (termómetros de carne y dulces).
Papel de cera	Úselo como una tapa para evitar salpicaduras y retener la humedad.

Materiales a evitar en el horno microondas

Utensilios	Comentarios
Bandeja de aluminio	Puede provocar que se arquee. Transfiera alimentos a un plato apto para microondas.
Cartón alimentario con asa de madera	Puede provocar que se arquee. Transfiera alimentos a un plato apto para microondas.
Utensilios metálicos o con reborde metálico	El metal protege los alimentos de la energía del microondas. El reborde metálico puede causar que se arquee.
Ataduras de alambre	Pueden provocar que se arqueen y causar un incendio en el horno.
Bolsas de papel	Pueden causar un incendio en el horno.
Espuma de plástico	La espuma de plástico puede fundirse o contaminar el líquido en el interior cuando se expone a altas temperaturas.
Madera	La madera se secará cuando se use en el microondas y se puede dividir o agrietar.

ES

ESPECIFICACIONES

MODELO	AG20CF2E / AG20CF2EBK
TENSIÓN NOMINAL	230 V-
FRECUENCIA NOMINAL	50 Hz
ENTRADA NOMINAL	1050 W
POTENCIA DE SALIDA NOMINAL (MICROONDAS)	700 W
ENTRADA NOMINAL (GRILL)	1000 W

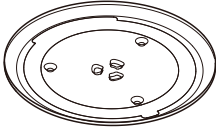
ES

VISTA GENERAL DEL PRODUCTO

Nombres de las piezas del horno y accesorios

(En caso de existir diferencias entre el aparato y las imágenes de este manual, prevalecerá el producto.)

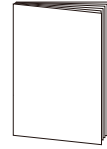
Retire el horno y todos los materiales del cartón y de la cavidad del horno.
El horno viene con los siguientes accesorios:



Bandeja de cristal



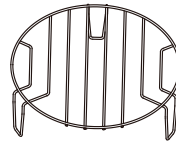
Conjunto de Anillo de Plato Giratorio



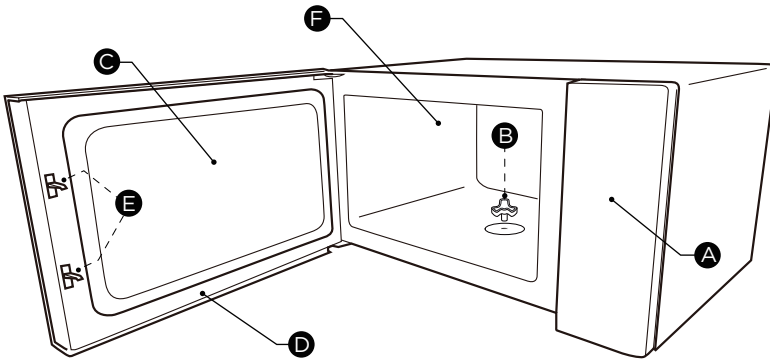
Manual de instrucciones



Eje del plato giratorio



Rejilla del grill (no puede utilizarse en la función microondas y debe colocarse en la bandeja de cristal)

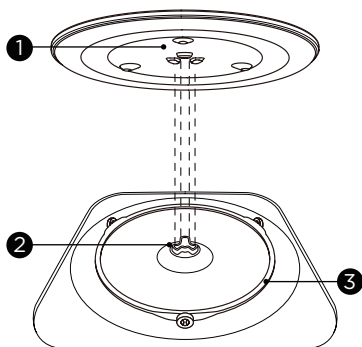


- A) Panel de control
- B) Eje del plato giratorio
- C) Ventana de observación

- D) Montaje de la puerta
- E) Sistema de cierre de seguridad
- F) Capacidad del horno

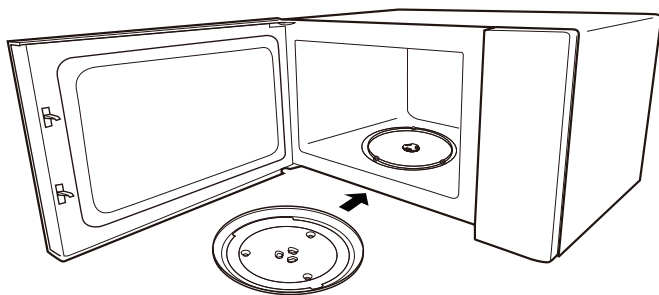
Instalación del plato giratorio

Limpie el compartimento de cocción y coloque el plato giratorio en posición. Para las instalaciones nuevas, asegúrese de que todo el embalaje y la cinta hayan sido extraídos del eje del plato giratorio. Antes de usar el aparato para cocinar por primera vez, deberá colocar correctamente el plato giratorio en posición. Debe limpiar el compartimento de cocción y los accesorios.



Cómo colocar el plato giratorio en posición:

1. Coloque el eje giratorio (3) en el recoveco del compartimento de cocinado.
2. Coloque la bandeja de vidrio (1) en el eje giratorio (3). Coloque las líneas elevadas y curvas del centro de la bandeja de cristal entre los tres radios del eje. Asegúrese de que la bandeja de vidrio (1) se engrana en el eje giratorio (2) situado en el centro del suelo del compartimento de cocción. Los rodillos del eje deben encajar en el interior del reborde de la parte inferior del plato giratorio.



NOTAS

- Nunca use el aparato sin el plato giratorio. Asegúrese de que se encuentra instalado correctamente. El plato giratorio puede girar en sentido horario y antihorario.
- Nunca coloque la bandeja de cristal boca abajo. La bandeja de cristal nunca debe confinarse.
- Tanto la bandeja de cristal como el anillo del plato giratorio deben usarse siempre al cocinar.
- Todos los alimentos y recipientes de alimentos se colocan siempre en la bandeja de cristal para cocinarlos.
- Nunca limite el movimiento del plato giratorio.
- Si la bandeja de cristal o el anillo del plato giratorio se agrietan o rompen, póngase en contacto con su centro de servicio autorizado más cercano.

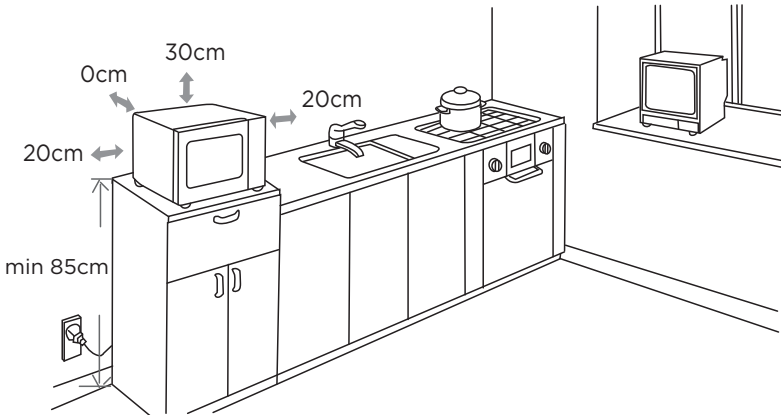
INSTALACIÓN DEL PRODUCTO

Instalación en la encimera

Retire todos los materiales del envase y accesorios. Examine el horno en busca de cualquier daño como melladuras o la puerta rota. No instale el horno si está dañado. Carcasa: Retire cualquier película protectora que aparezca en la superficie del receptáculo del horno microondas. No retire la cubierta que está fijada a la cavidad del horno para proteger el magnetrón.

Instalación

1. Seleccione una superficie plana que ofrezca suficiente espacio abierto para las ventilaciones de admisión y/o salida.



- La altura mínima de instalación es de 85cm.
 - La superficie posterior del aparato debe colocarse contra una pared. Deje un espacio mínimo de 30 cm por encima del horno; es necesario un espacio mínimo de 20 cm entre el horno y cualquier pared adyacente.
 - No retire las patas de la parte inferior del horno.
 - Bloquear las aperturas de entrada y/o salida puede dañar el horno.
 - Coloque el horno tan alejado como sea posible de radio y TV. El funcionamiento del horno microondas puede causar interferencias con la recepción de su radio o TV.
2. Enchufe el horno en una toma doméstica estándar. Asegúrese de que la tensión y la frecuencia son las mismas que la tensión y la frecuencia de la etiqueta de calificación.

⚠ ADVERTENCIA

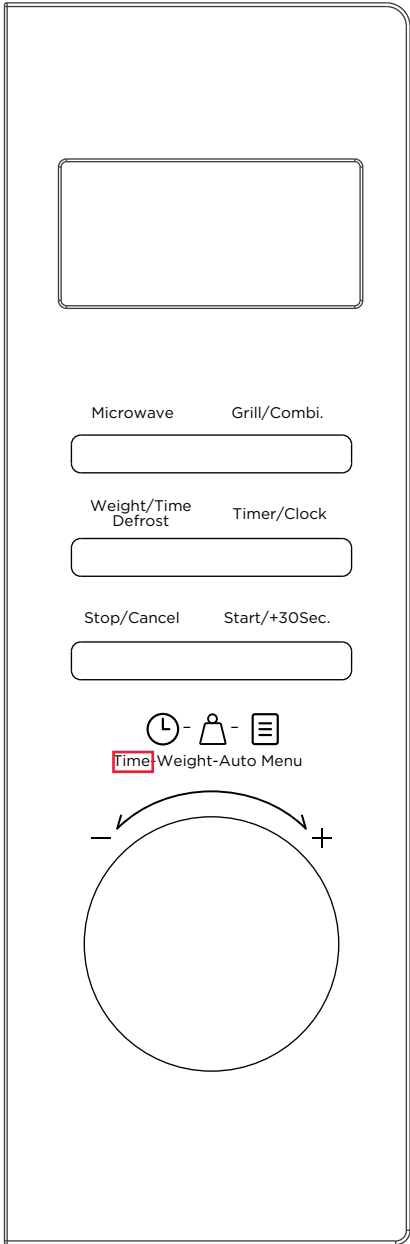
No instale el horno sobre una cocina u otros aparatos que produzcan calor. Si se instala cerca o sobre una fuente de calor, se puede dañar el horno y quedará anulada la garantía.

La superficie accesible puede estar caliente durante su funcionamiento.



INSTRUCCIONES DE FUNCIONAMIENTO

ES



Configurar el reloj

1. Pulse “Timer/Clock ” dos veces y se mostrará “00:00”.
2. Gire el botón regulador para establecer la hora. Elija un número entre el 0 y el 23.
3. Pulse “Timer/Clock ” para confirmar.
4. Gire el botón regulador para establecer los minutos. Elija un número entre el 0 y el 59.
5. Pulse “Timer/Clock ” para confirmar. El reloj quedará configurado.

NOTA

- El reloj es de 24 horas. Si el reloj no está configurado, no funcionará cuando se encienda.
- Para restablecer el reloj, repita el paso 1 hasta el paso 5.
- Después del paso 4, si no se pulsa el “ Timer/Clock ” o no hay funcionamiento en 1 minuto,
- La configuración no será válida.

Configuración del temporizador de la cocina

ES

1. Pulse “Timer/Clock ” una vez y después se mostrará “0:00”.
2. Gire el botón regulador para establecer el tiempo deseado. El valor máximo de tiempo es “95:00”.
3. Pulse “ Start/+30Sec. ” para confirmar. El temporizador empezará una cuenta atrás.

NOTA

No es posible configurar ningún otro programa mientras esté activado el temporizador de cocina.

Cocinado con el microondas

Nivel de potencia

Hay 5 niveles de potencia disponibles.

Nivel de potencia	Pantalla
100%	P100
80%	P80
50%	P50
30%	P30
10%	P10

1. Pulse “ Microwave ” una vez y se mostrará “P100”.
2. Pulse “Microwave ” de forma reiterada o gire el dial para fijar el nivel de potencia. Están disponibles los 5 niveles de potencia.
3. Pulse “ Start/+30Sec. ” para confirmar.
4. Gire el botón regulador para establecer el tiempo de cocinado. El valor máximo de tiempo es “95:00”.
5. Pulse “ Start/+30Sec. ” para empezar a cocinar.

NOTA

Si se abre la puerta del horno o se pulsa “Stop/Cancel” durante el funcionamiento, se interrumpirá el modo actual.

Cocinado al grill

1. Pulse “ Grill/Combi.” una vez y después se mostrará “G-1”.
2. Pulse “ Start/+30Sec.” para confirmar.
3. Gire el botón regulador para establecer el tiempo de cocinado. El valor máximo de tiempo es “95:00”.
4. Pulse “ Start/+30Sec.” para empezar a cocinar.

NOTA

Cuando haya pasado la mitad del tiempo, sonará el timbre para que no se olvide de darle la vuelta a la comida. Si no hay funcionamiento, el horno continuará funcionando.

ES

Cocina por combinación

1. Pulse “ Grill/Combi.” dos o tres veces y se mostrará “C-1”, “C-2”.
2. Pulse “ Start/+30Sec.” para confirmar.
3. Gire el botón regulador para establecer el tiempo de cocinado. El valor máximo de tiempo es “95:00”.
4. Pulse “ Start/+30Sec.” para empezar a cocinar.

Función	Pantalla	Potencia del microondas	Potencia del grill
Combi. 1	C-1	55 %	45 %
Combi. 2	C-2	36 %	64 %

Descongelación por peso

1. Pulse “ $\frac{\text{Weight/Time}}{\text{Defrost}}$ ” una vez y la pantalla mostrará “dEF1”.
2. Gire el botón regulador para establecer el peso de la comida. El alcance de peso es 100-2000 g.
3. Pulse “ Start/+30Sec.” para iniciar la descongelación.

NOTA

Sonará el pitido para recordarle que dé la vuelta a los alimentos durante la descongelación.

Si no hay funcionamiento, el horno continuará funcionando.

Descongelar por tiempo

1. Pulse “ **Weight/Time**
Defrost ” dos veces y la pantalla mostrará “dEF2”.
2. Gire el botón regulador para establecer el tiempo de descongelación deseado. El valor máximo de tiempo es “95:00”.
3. Pulse “ **Start/+30Sec.** ” para iniciar la descongelación.

NOTA

- Cuando haya pasado la mitad del tiempo, sonará el timbre para que no se olvide de darle la vuelta a la comida. Si no hay funcionamiento, el horno continuará funcionando.
- La potencia de descongelación es de P30 y no puede modificarse.

Cocinado multifase

NOTAS

- Con el cocinado multifase se pueden establecer dos fases de cocinado.
- Si establece la función de descongelación, se iniciará automáticamente en la primera fase.
- Temporizador de cocina; el menú automático no puede configurarse como uno multifase.

Ejemplo: Descongele la comida durante 5 minutos y luego cocínela al 80 % de potencia del microondas durante 7 minutos.

1. Pulse “ **Weight/Time**
Defrost ” dos veces y la pantalla mostrará “dEF2”.
2. Gire el botón regulador para establecer el tiempo de descongelación a 5 minutos.
3. Pulse “ **Microwave** ” y se mostrará “P100”.
4. Gire el botón regulador para establecer el nivel de potencia a P80. Después, pulse “ **Start/+30Sec.** ” para confirmarlo.
5. Gire el botón regulador para establecer el tiempo de cocinado a 7 minutos.
6. Pulse “ **Start/+30Sec.** ” para empezar a cocinar.

Cocinado rápido

1. En modo de espera, pulse “ **Start/+30Sec.** ” para cocinar al 100 % de potencia durante 30 segundos. Cada vez que pulse el mismo botón puede incrementar 30 segundos hasta un máximo de 95 minutos.
2. En modo de espera, gire el botón regulador a la izquierda para establecer el tiempo de cocinado al 100% de potencia. Después siga girando el botón regulador para establecer el tiempo de cocinado. El valor máximo de tiempo es de 95 minutos. Pulse “ **Start/+30Sec.** ” para empezar a cocinar.

Función de bloqueo infantil

Puede usar esta función para evitar que los niños enciendan el horno por accidente.

Para activar el bloqueo:

En modo de espera, mantenga pulsado "Stop/Cancel" durante tres segundos. Suena un pitido y aparecerá "[_ _]".

Para desactivar el bloqueo:

En estado de bloqueo, mantenga pulsado "Stop/Cancel" durante tres segundos. Suena un pitido.

Función de pregunta

1. Si se ha configurado el reloj, se mostrará la hora actual durante tres segundos pulsando "Timer/Clock" en el estado de cocinado.
2. En el estado de cocinado a microondas, pulse "Microwave" para ver información sobre el nivel de potencia. Se mostrará durante tres segundos. En el estado de grill y en el estado de cocinado combinado, se puede consultar pulsando "Grill/Combi."

ES

Menú automático

1. Gire el botón regulador a la derecha y "A-1" parpadeará.
2. Gire el botón regulador para elegir el menú que necesite. Dispone de 8 menús automáticos.
3. Pulse "Start/+30Sec." para confirmar.
4. Gire el botón regulador para establecer el peso de la comida.
5. Pulse "Start/+30Sec." para empezar a cocinar.

NOTAS

- Si se abre la puerta del horno o se pulsa "Stop/Cancel" durante el funcionamiento, se interrumpirá el modo actual.
- Es necesario girar primero el botón regulador hacia la derecha en el modo de espera para seleccionar "Auto Menu" (Menú Automático). Si gira primero el botón regulador hacia la izquierda, entrará en el tiempo de cocción rápida.

Gráfico del menú:

Menú	Peso	Pantalla	Alimentación
A-1 Recalentamiento automático	200 g	200	P100
	400 g	400	
	600 g	600	
A-2 Verduras	200 g	200	P100
	300 g	300	
	450 g	450	
A-3 Pescado	150 g	150	C-2
	300 g	300	
	450 g	450	
A-4 Carne	200 g	200	C-2
	300 g	300	
	500 g	500	
A-5 Pasta	50 g (con 450 g de agua fría)	50	P80
	100 g (con 800 g de agua fría)	100	
A-6 Patata	1 (230 g)	1	P100
	2	2	
	3	3	
A-7 Pizza	200 g	200	P100
	400 g	400	
A-8 Arroz	200 g	200	P100 + P50
	400 g	400	

ES

LIMPIEZA Y MANTENIMIENTO

Asegúrese de desenchufar el aparato de la alimentación.

- Limpie la cavidad del horno tras usarlo con un paño ligeramente húmedo.
- Limpie los accesorios de la forma habitual con agua jabonosa.
- El marco de la puerta y el sello y las piezas cercanas deben limpiarse con cuidado con un paño húmedo cuando estén sucias.
- No use limpiadores abrasivos duros o ralladores metálicos afilados para limpiar el cristal de la puerta del microondas ya que pueden arañar la superficie, lo que puede provocar que se destroce el cristal.
- Consejo de limpieza --- Para una limpieza más sencilla de las paredes de la cavidad que los alimentos cocinados pueden tocar: Coloque la mitad de un limón en un bol, añada 300 ml (1/2 pinta) de agua y caliéntelo al 100% de la potencia del microondas durante 10 minutos. Limpie el horno usando un paño suave y seco.


PROBLEMAS Y SOLUCIONES

Normal	
El horno microondas interfiere en la recepción del TV	La recepción de la radio y la TV pueden verse con interferencias cuando está en funcionamiento el horno microondas. Es similar a la interferencia de pequeños aparatos eléctricos, como batidoras, aspiradores, ventiladores eléctricos. Es normal.
Luz del horno atenuada	Al cocinar al microondas a baja potencia, la luz del horno puede atenuarse. Es normal.
El vapor se acumula en la puerta, el aire caliente sale de las ventilaciones	Al cocinar el vapor puede salir de los alimentos. La mayoría sale por las ventilaciones. Pero algo puede acumularse en un lugar fresco como la puerta del horno. Es normal.
El horno se ha arrancado de forma accidental sin alimentos en su interior.	Está prohibido poner en funcionamiento la unidad sin ningún alimento en su interior. Es muy peligroso.

ES

Problema	Posible causa	Solución
No se puede iniciar el horno.	<ul style="list-style-type: none"> • Cable de alimentación no conectado correctamente. 	<ul style="list-style-type: none"> • Desenchúfelo. Posteriormente, vuelva a enchufarlo después de 10 segundos.
	<ul style="list-style-type: none"> • Fusible fundido o funciona el disyuntor. 	<ul style="list-style-type: none"> • Sustituya el fusible o reinicie el disyuntor (reparado por personal profesional de nuestra empresa)
	<ul style="list-style-type: none"> • Problemas con la salida. 	<ul style="list-style-type: none"> • Pruebe la salida con otros aparatos eléctricos.
El horno no calienta.	<ul style="list-style-type: none"> • La puerta no se Cierra bien. 	<ul style="list-style-type: none"> • Cierre bien la puerta.

MARCAS REGISTRADAS, DERECHOS DE AUTOR Y DECLARACIÓN LEGAL

El logotipo , las marcas denominativas, el nombre comercial, la imagen comercial y todas las versiones de los mismos son activos valiosos de Midea Group y/o sus empresas afiliadas ("Midea"), de las que Midea posee marcas registradas, derechos de autor y otros derechos de propiedad intelectual, así como toda la buena voluntad derivada del uso de cualquier parte de una marca comercial de Midea. El uso de la marca registrada de Midea para fines comerciales, sin el consentimiento previo por escrito de Midea puede constituir una violación de la marca registrada o una competencia desleal violando la legislación relevante.

ES

Midea ha creado este manual y se reserva todos los derechos sobre el mismo. Ninguna entidad o individuo puede usar, duplicar, modificar, distribuir en todo o en parte este manual, o unirlo o venderlo con otros productos sin el consentimiento previos por escrito de Midea.

Todas las funciones e instrucciones descritas se actualizan en el momento de la impresión de este manual. Sin embargo, el producto real puede variar debido a funciones y diseños mejorados.

ELIMINACIÓN Y RECICLAJE

Instrucciones importantes para el medioambiente

Cumplimiento con la Directiva WEEE y Eliminación de los Productos de Desecho: Este producto cumple con la Directiva EU WEEE (2012/19/EU). Este producto porta el símbolo de clasificación de equipos eléctricos y electrónicos para su eliminación (WEEE).

Este símbolo indica que este producto no puede eliminarse con otros residuos domésticos al final de su vida útil. El aparato usado debe devolverse al punto de recogida oficial para el reciclaje de aparatos eléctricos y electrónicos. Para encontrar estos sistemas de recogida, póngase en contacto con las autoridades locales o distribuidor minorista donde se adquirió el producto. Cada hogar juega un papel importante en la recuperación y reciclado de aparatos antiguos. La eliminación adecuada de aparatos usados ayuda a prevenir las potenciales consecuencias negativas para el medioambiente y la salud humana.



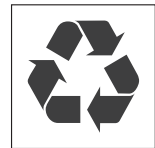
ES

Cumplimiento con la Directiva RoHS

El producto que ha adquirido cumple con la Directiva EU RoHS (2011/65/EU). No contiene materiales nocivos o prohibidos especificados en la Directiva.

Información del embalaje

Los materiales de embalaje están fabricados a partir de materiales reciclados conforme a nuestras Normativas Medioambientales Nacionales. No elimine los materiales del embalaje conjuntamente con los residuos domésticos u otros residuos. Llévelos a puntos de recogida de material de embalaje designados por las autoridades locales.



AVISO DE PROTECCIÓN DE DATOS

Para la prestación de los servicios acordados con el cliente, accedemos a cumplir sin restricciones con toda la normativa de la legislación de protección de datos aplicable, en línea con los países que han accedido a la misma dentro de los cuales se ofrecen los servicios al cliente, así como, cuando sea de aplicación, la Ley de Protección de Datos General de la UE (GDPR).

En general, nuestro procesamiento de datos es para cumplir con nuestras obligaciones contractuales con usted y por motivos de seguridad de los productos, para salvaguardar sus derechos en relación con la garantía y preguntas del registro del producto. En algunos casos, pero solo si se garantiza la protección de datos apropiada, se podrían transferir los datos personales a receptores ubicados fuera del Área Económica Europea.

ES

Se proporciona más información bajo solicitud. Puede ponerse en contacto con nuestro Oficial de Protección de Datos usando **MideaDPO@midea.com**. Para ejercitar sus derechos como el derecho a rechazar que se procesen sus datos personales para una finalidad directa de marketing, póngase en contacto con nosotros en **MideaDPO@midea.com**. Para obtener más información, siga el código QR.

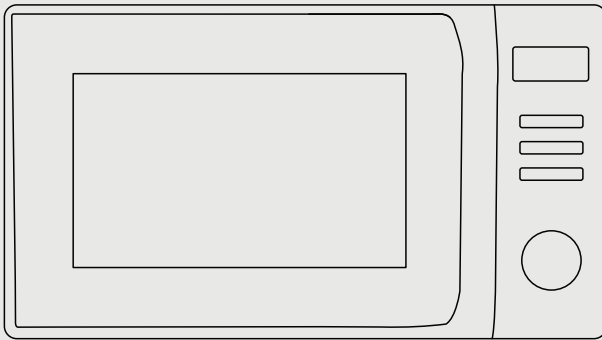


make yourself at home



www.midea.com

© Midea 2024 all rights reserved



KUCHENKA MIKROFALOWA

INSTRUKCJA OBSŁUGI

AG20CF2E
AG20CF2EBK

Ostrzeżenia: Przed użyciem tego produktu należy dokładnie przeczytać tę instrukcję obsługi i zachować ją na przyszłość. Wygląd i dane techniczne mogą ulec zmianie bez wcześniejszego powiadomienia ze względu na konieczność ulepszania produktu. W celu uzyskania szczegółowych informacji należy skontaktować się ze sprzedawcą lub producentem. Powyższą ilustrację zamieszczono wyłącznie w celach informacyjnych. Prosimy kierować się faktycznym wyglądem produktu.

LIST Z PODZIĘKOWANIEM

Dziękujemy za wybranie produktu Midea! Przed użyciem nowego produktu firmy Midea dokładnie zapoznaj się z niniejszą instrukcją, aby mieć pewność, że wiesz, jak bezpiecznie korzystać z funkcji oferowanych przez nowe urządzenie.

SPIS TREŚCI

LIST Z PODZIĘKOWANIEM	PL-01
INSTRUKCJE BEZPIECZEŃSTWA	PL-02
SPECYFIKACJA	PL-12
KRÓTKI OPIS PRODUKTU	PL-13
MONTAŻ PRODUKTU	PL-15
INSRTRUKCJA OBSŁUGI	PL-16
CZYSZCZENIE I KONSERWACJA	PL-22
ROZWIĄZYWANIE PROBLEMÓW	PL-23
ZNAKI TOWAROWE, PRAWA AUTORSKIE I OŚWIADCZENIA PRAWNE	PL-24
UTYLIZACJA I RECYKLING	PL-25
INFORMACJA DOTYCZĄCA OCHRONY DANYCH OSOBOWYCH	PL-26

PL

INSTRUKCJE BEZPIECZEŃSTWA

Przeznaczenie

Poniższe wskazówki dotyczące bezpieczeństwa mają na celu zapobiec nieprzewidzianym zagrożeniom lub szkodom wynikającym z niebezpiecznej lub nieprawidłowej obsługi urządzenia. Po dostarczeniu należy sprawdzić opakowanie i urządzenie, aby sprawdzić, czy nic nie zostało uszkodzone, tak aby zapewnić bezpieczną pracę. W przypadku stwierdzenia jakichkolwiek uszkodzeń należy skontaktować się ze sprzedawcą lub dystrybutorem. Modyfikacje lub wprowadzanie zmian w urządzeniu jest niedozwolone z przyczyn związanych z bezpieczeństwem użytkownika. Użytkowanie urządzenia niezgodnie z przeznaczeniem może spowodować zagrożenie i utratę roszczeń gwarancyjnych.

Wyjaśnienie symboli

PL



Niebezpieczeństwo

Ten symbol oznacza zagrożenie dla życia i zdrowia osób związane z wyjątkowo łatwopalnym gazem.



Ostrzeżenie dotyczące napięcia elektrycznego

Ten symbol oznacza, że istnieje zagrożenie dla życia i zdrowia osób związane z napięciem.



Ostrzeżenie

Słowo ostrzegawcze wskazuje na zagrożenie o średnim stopniu ryzyka, które może prowadzić do śmierci lub ciężkich obrażeń ciała.



Uwaga

Słowo ostrzegawcze wskazuje na zagrożenie o niskim stopniu ryzyka, które, jeśli nie można go uniknąć, może prowadzić do małych lub umiarkowanych obrażeń ciała.



Uwaga

Słowo ostrzegawcze wskazuje na ważne informacje (np. Uszkodzenie mienia), ale nie na niebezpieczeństwo.



Przestrzeganie instrukcji

Ten symbol oznacza, że serwisant powinien obsługiwać i konserwować to urządzenie tylko zgodnie z instrukcją obsługi.

Przed przystąpieniem do użytkowania/uruchomienia urządzenia należy dokładnie i uważnie przeczytać tę instrukcję obsługi i zachować ją bezpośrednio przy miejscu montażu lub urządzeniu w celu późniejszego wykorzystania!

Środki ostrożności celem uniknięcia ewentualnego narażenia na nadmierną energię mikrofalową

- a. Nie podejmować prób obsługiwanania tej kuchenki przy otwartych drzwiczkach, ponieważ może to spowodować szkodliwe narażenie na działanie energii mikrofalowej. Nie wolno wyłamywać blokad bezpieczeństwa ani manipulować nimi.
- b. Nie umieszczać żadnych przedmiotów między przednią ścianą kuchenki a drzwiczkami ani nie dopuszczać do gromadzenia się zabrudzeń lub pozostałości środków czyszczących na powierzchniach uszczelniających.
- c. **OSTRZEŻENIE:** Jeśli drzwiczki lub uszczelki drzwiowe są uszkodzone, nie wolno używać kuchenki, dopóki nie zostanie ona naprawiony przez kompetentną osobę.

PL

Informacja dodatkowa

Jeśli urządzenie nie będzie utrzymywane w dobrym stanie czystości, jego powierzchnia może ulec degradacji i wpłynąć na żywotność urządzenia oraz doprowadzić do niebezpiecznych sytuacji.

▲ OSTRZEŻENIE

Aby ograniczyć ryzyko pożaru, porażenia prądem, obrażeń osób lub narażenia na działanie nadmiernej energii kuchenki mikrofalowej podczas korzystania z urządzenia, należy przestrzegać podstawowych środków ostrożności, w tym:

- Przeczytać i stosować się do: „ŚRODKI OSTROŻNOŚCI CELEM UNIKNIĘCIA EWENTUALNEGO NARAŻENIA NA NADMIERNĄ ENERGIĘ MIKROFALOWĄ”.
- Urządzenie może być używane przez dzieci w wieku od 8 lat i osoby o ograniczonych zdolnościach fizycznych, sensorycznych lub umysłowych lub osoby nie posiadające doświadczenia i wiedzy, jeżeli otrzymały one nadzór lub instrukcję dotyczącą bezpiecznego użytkowania urządzenia i rozumieją związane z tym zagrożenia. Dzieci nie powinny bawić się urządzeniem. Czyszczenie i konserwacja przez użytkowników nie mogą być wykonywane przez dzieci bez nadzoru.
- Urządzenie i jego przewód należy przechowywać w miejscu niedostępnym dla dzieci w wieku poniżej 8 lat.
- Aby uniknąć niebezpieczeństwa, wymianę uszkodzonego przewodu sieciowego urządzenia należy powierzyć producentowi, jego serwisowi lub innej osobie posiadającej konieczne umiejętności.
- **OSTRZEŻENIE:** Przed wymianą lampy upewnić się, że urządzenie jest wyłączone, aby uniknąć możliwości porażenia prądem.

- **OSTRZEŻENIE:** Przeprowadzanie jakiegokolwiek operacji serwisowej lub naprawczej, która wiąże się ze zdjęciem osłony chroniącej przed działaniem energii mikrofalowej przez osobę niekompetentną jest niebezpieczne.
- **OSTRZEŻENIE:** Płynów i innych produktów spożywczych nie wolno podgrzewać w szczelnie zamkniętych pojemnikach, ponieważ grozi to ich rozsadzeniem.
- Podczas podgrzewania żywności w plastikowych lub papierowych pojemnikach należy obserwować kuchenkę z uwagi na możliwość zapłonu.
- Używać wyłącznie utensyliów, które są przystosowane do używania w kuchenkach mikrofalowych.
- Jeśli wydziela się dym, należy wyłączyć lub odłączyć urządzenie, a drzwiczki pozostawić zamknięte, aby stłumić ewentualne płomienie.
- Podgrzewanie mikrofalowe napojów może spowodować opóźnione erupcyjne wrzenie, dlatego należy zachować ostrożność podczas obchodzenia się z pojemnikiem.
- Zawartość butelek do karmienia i słoiczków z jedzeniem dla dzieci należy wymieszać lub wstrząsnąć nimi oraz sprawdzić temperaturę przed spożyciem, aby uniknąć poparzeń.
- Jajka w skorupkach i całe jajka na twardo nie powinny być podgrzewane w kuchenkach mikrofalowych, ponieważ mogą zostać rozsądzone, nawet po zakończeniu podgrzewania mikrofalowego.
- Kuchenka powinna być regularnie czyszczona, a wszelkie pozostałości żywności usuwane.

- Zaniedbanie obowiązku utrzymania kuchenki w czystości może doprowadzić do pogorszenia stanu powierzchni, co może z kolei negatywnie wpłynąć na żywotność urządzenia i ewentualnie doprowadzić do niebezpiecznej sytuacji.
- Aby uniknąć przegrzania, nie wolno instalować urządzenia za ozdobnymi drzwiczkami. (Nie dotyczy to urządzeń z ozdobnymi drzwiczkami.)
- Należy używać wyłącznie termometru zalecanego dla tej mikrofalówki. (w przypadku mikrofalówek z możliwością pomiaru temperatury.)
- Mikrofalówka nie powinna być umieszczana w szafce, chyba że została w niej przetestowana.
- Kuchenka mikrofalowa musi być obsługiwana przy otwartych drzwiczkach ozdobnych. (w przypadku kuchenek wyposażonych w drzwiczki dekoracyjne.)
- To urządzenie jest przeznaczone do użytku w gospodarstwach domowych i podobnych zastosowaniach, takich jak:
 - pracownicze pomieszczenia kuchenne w sklepach, biurach i innych środowiskach pracy;
 - przez klientów w hotelach, motelach i innych środowiskach typu mieszkalnego;
 - gospodarstwa rolne;
 - podmioty oferujące zakwaterowanie z wyżywieniem.
- Kuchenka mikrofalowa jest przeznaczona do podgrzewania żywności i napojów. Suszenie żywności lub odzieży oraz podgrzewanie poduszek rozgrzewających, kapci, gąbek, wilgotnych tkanin i podobnych może prowadzić do ryzyka obrażeń, zapłonu lub pożaru.
- Metalowe pojemniki na żywność i napoje nie są dozwolone podczas mikrofalowej obróbki termicznej.
- Urządzenia nie czyścić za pomocą myjki parowej.

- Urządzenie jest przeznaczone do użytku, gdy jest wolnostojące.
- Tylna powierzchnia urządzenia powinna być skierowana do ściany.
- Urządzenia nie są przeznaczone do pracy z zewnętrznym minutnikiem lub osobnym zdalnie sterowanym systemem.
- Temperatura dostępnych powierzchni może się podczas pracy bardzo nagrzać.
- OSTRZEŻENIE: Gdy urządzenie pracuje w trybie kombinowanym, dzieci powinny korzystać z kuchenki tylko pod nadzorem dorosłych ze względu na generowane temperatury.

**PRZECZYTAĆ UWAŻNIE I ZACHOWAĆ NA
PRZYSZŁOŚĆ**

PL

Aby ograniczyć ryzyko obrażeń u osób uziemiających urządzenie

⚠ NIEBEZPIECZEŃSTWO

Zagrożenie porażeniem prądem

Dotknięcie niektórych elementów wewnętrznych może spowodować poważne obrażenia ciała lub śmierć. Nie demontować tego urządzenia.

⚠ OSTRZEŻENIE

Zagrożenie porażeniem prądem

Niewłaściwe zastosowanie uziemienia może spowodować porażenie prądem elektrycznym. Nie podłączać do gniazdka, dopóki urządzenie nie zostanie prawidłowo zainstalowane i uziemione.

To urządzenie musi być uziemione. W przypadku zwarcia elektrycznego uziemienie zmniejsza ryzyko porażenia prądem poprzez zapewnienie przewodu odprowadzającego prąd elektryczny.

To urządzenie jest wyposażone w przewód posiadający żyłę uziemiającą z wtyczką uziemiającą. Wtyczka musi być podłączona do prawidłowo zainstalowanego i uziemionego gniazdka.

Jeśli instrukcje dotyczące uziemienia nie są całkowicie zrozumiałe lub jeśli istnieją wątpliwości, czy urządzenie jest prawidłowo uziemione, należy skonsultować się z wykwalifikowanym elektrykiem lub serwisantem.

Jeśli konieczne jest użycie przedłużacza, używać tylko przedłużacza 3-żyłowego.

- Krótki przewód zasilający jest przewidziany w celu zmniejszenia ryzyka wynikającego z zaplątania się lub potknięcia o dłuższy przewód.
- Jeśli używany jest długi zestaw przewodów lub przedłużacz:
 - Oznaczona wartość znamionowa elektryczna zestawu przewodów lub przedłużacza powinna być co najmniej równa wartości znamionowej elektrycznej urządzenia.

- Przedłużacz musi być 3-żyłowym przewodem z uziemieniem.
- Długi przewód powinien być tak ułożony, aby nie zwiisał nad blatem lub stołem, gdzie mógłby być pociągnięty przez dzieci lub stwarzać ryzyko przypadkowego potknięcia.

UTENSYLIA

UWAGA

Zagrożenie obrażeniami ciała

Przeprowadzanie jakiegokolwiek operacji serwisowej lub naprawczej, która wiąże się ze zdjęciem osłony chroniącej przed działaniem energii mikrofalowej przez osobę niekompetentną jest niebezpieczne. Patrz instrukcje w sekcji „Materiały, których można używać w kuchence mikrofalowej lub których należy unikać w kuchence mikrofalowej.” Mogą istnieć pewne niemetalowe naczynia, które nie są bezpieczne do użycia w kuchence mikrofalowej. W razie wątpliwości można przetestować konkretne naczynie, postępując zgodnie z poniższą procedurą.

PL

Test przyborów:

- Napełnić naczynie nadające się do kuchenki mikrofalowej 1 szklanką zimnej wody (250 ml) wraz z danym przyborem.
- Uruchomić kuchenkę z maksymalną mocą przez 1 minutę.
- Ostrożnie dotknąć naczynia. Jeśli pusty przybór jest ciepły, nie należy go używać do obróbki termicznej żywności w kuchence mikrofalowej.
- Nie przekraczać 1 minuty czasu obróbki termicznej.

Materiały, których można używać w kuchence mikrofalowej

UTENSYLIA	Uwagi
Naczynie do zapiekania	Postępować zgodnie z instrukcjami producenta. Dno naczynia do zapiekania musi znajdować się co najmniej 5 mm (3/16") powyżej płyty obrotowej. Nieprawidłowe użycie może spowodować pęknięcie płyty obrotowej.
Zastawa stołowa	Wyłącznie przeznaczona do stosowania w kuchenkach mikrofalowych. Postępować zgodnie z instrukcjami producenta. Nie używać pękniętych ani wyszczerbionych naczyń.
Szklane słoiki	Zawsze zdejmować nakrętkę. Używać ich tylko do podgrzewania żywności, aż będzie ciepła. Większość szklanych słoików nie jest odporna na działanie wysokich temperatur i może ulec potłuczeniu.
Szklane naczynia	Tylko żaroodporne szkło przeznaczone do stosowania w kuchenkach. Upewnić się, że brak jest metalowych wykończeń. Nie używać pękniętych ani wyszczerbionych naczyń.
Torebki do obróbki termicznej potraw w kuchenkach	Postępować zgodnie z instrukcjami producenta. Nie zamykać za pomocą metalowej opaski. Zrobić szczeliny, aby para mogła się wydostać.
Papierowe talerze i kubki	Używać tylko do krótkotrwałej obróbki termicznej/ podgrzewania. Nie zostawiać kuchenki bez nadzoru podczas obróbki termicznej.
Ręczniki papierowe	Używać do przykrywania żywności w celu podgrzania i wchłonięcia tłuszczu. Używać pod nadzorem tylko do krótkotrwałej obróbki termicznej.
Papier pergaminowy	Używać jako osłony przed rozpryskami lub jako owijki na potrzeby obróbki termicznej na parze.
Tworzywo sztuczne	Wyłącznie przeznaczona do stosowania w kuchenkach mikrofalowych. Postępować zgodnie z instrukcjami producenta. Powinno być oznaczone jako „bezpieczne do stosowania w kuchence mikrofalowej”. Niektóre pojemniki z tworzywa sztucznego miękną, gdy żywność w środku staje się gorąca. „Torebki do obróbki termicznej” i szczelnie zamknięte torebki plastikowe powinny zostać zawsze rozcięte, przebite lub odpowietrzone zgodnie z instrukcją na opakowaniu.
Folia z tworzywa sztucznego	Wyłącznie przeznaczona do stosowania w kuchenkach mikrofalowych. Używać jej do przykrywania żywności podczas obróbki termicznej, aby zatrzymać wilgoć. Nie pozwolić, aby folia z tworzywa sztucznego dotykała żywności.
Termometry	Wyłącznie przeznaczone do stosowania w kuchenkach mikrofalowych (termometry do mięsa i słodczy).
Papier woskowy	Używać jako osłony przed rozpryskami i zatrzymać wilgoć.

Materiały, których należy unikać w kuchence mikrofalowej

UTENSYLIA	Uwagi
Taca aluminiowa	Może powodować generowanie łuku elektrycznego. Umieścić żywność w naczyniu nadającym się do kuchenki mikrofalowej.
Kartonik na żywność z metalowym uchwytem	Może powodować generowanie łuku elektrycznego. Umieścić żywność w naczyniu nadającym się do kuchenki mikrofalowej.
Przybory metalowe lub pokryte metalem	Metal uniemożliwia energii mikrofalowej podgrzewanie żywności. Metalowe wykończenia mogą powodować generowanie łuku elektrycznego.
Metalowe opaski zaciskowe	Mogą powodować generowanie łuku elektrycznego i wywołać pożar w kuchence.
Torby papierowe	Mogą spowodować pożar w kuchence.
Pianka z tworzywa sztucznego	Pianka z tworzywa sztucznego może się stopić lub zanieczyścić znajdujący się wewnątrz płyn pod wpływem wysokiej temperatury.
Drewno	Drewno wyschnie podczas używania w kuchence mikrofalowej i może ulec rozszczepieniu lub pęknięciu.

PL

SPECYFIKACJA

MODEL	AG20CF2E / AG20CF2EBK
NAPIĘCIE ZNAMIONOWE	230 V-
CZĘSTOTLIWOŚĆ ZNAMIONOWA	50 Hz
WEJŚCIOWA MOC ZNAMIONOWA	1050 W
WYJŚCIOWA MOC ZNAMIONOWA (MIKROFALE)	700 W
WEJŚCIOWA MOC ZNAMIONOWA (GRILL)	1000 W

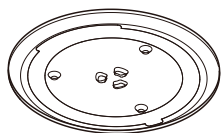
KRÓTKI OPIS PRODUKTU

Nazwy części kuchenki i akcesoriów

(W przypadku wszelkich różnic między urządzeniem a ilustracjami w tej instrukcji, należy odnieść się do produktu.)

Wyjąć kuchenkę i wszystkie kartonowe materiały i komory kuchenki.

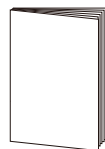
Kuchenka jest dostarczana z następującymi akcesoriami:



Taca szklana



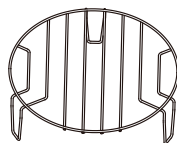
Zespół pierścienia płyty obrotowej



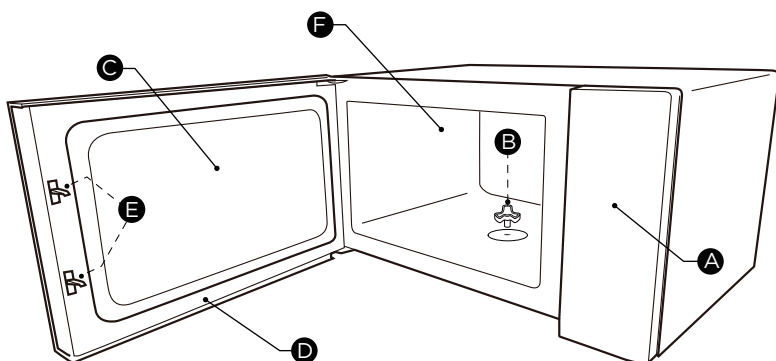
Instrukcja obsługi



Wałek płyty obrotowej



Ruszt grillowy (nie może być używany z wykorzystaniem mikrofal i musi być umieszczony na szklanej tacy)



A) Panel sterowania

B) Wałek płyty obrotowej

C) Wziernik

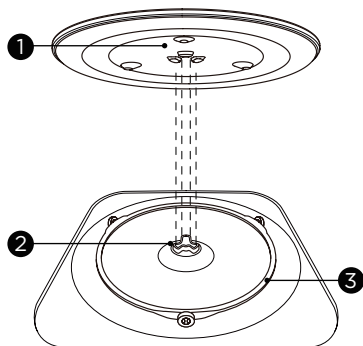
D) Zespół drzewiczek

E) System blokady bezpieczeństwa

F) Komora kuchenki

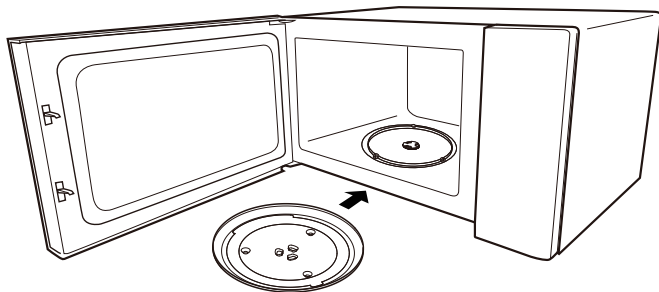
Montaż płyty obrotowej

Czyszczenie komory gotowania i montaż płyty obrotowej. W przypadku nowych instalacji upewnij się, że wszelkie elementy opakowania i taśma wysyłkowa zostały usunięte z wałka płyty obrotowej. Przed pierwszym użyciem urządzenia do przygotowania żywności należy prawidłowo umieścić płytę obrotową w odpowiednim miejscu. Należy wyczyścić komorę gotowania i akcesoria.



Jak umieścić płytę obrotową w odpowiednim miejscu:

1. Umieścić zespół pierścienia płyty obrotowej ③ w zagłębieniu w komorze gotowania.
2. Umieścić tacę szklaną ① na zespole pierścienia płyty obrotowej ③. Dopasować wypukłe, zakrzywione linie w środku spodu tacy szklanej między trzy szczelne wałki. Upewnić się, że taca szklana ① jest umocowana na wałku płyty obrotowej ② pośrodku dołu komory gotowania. Kółka na wałku powinny znajdować się w środku krawędzi spodu płyty obrotowej.



UWAGI

- Nigdy nie wolno używać urządzenia bez płyty obrotowej. Upewnić się, że jest ona właściwie zamontowana. Płyta obrotowa może obracać się w prawo lub w lewo.
- Nigdy nie umieszczać szklanej tacy dołem do góry. Szklana taca nigdy nie powinna być ograniczona.
- Zarówno taca szklana, jak i zespół pierścienia płyty obrotowej muszą być zawsze używane podczas obróbki termicznej.
- Wszystkie potrawy i pojemniki z żywnością podczas obróbki termicznej są zawsze umieszczane na szklanej tacy.
- Nigdy nie należy ograniczać ruchu płyty obrotowej.
- Jeśli szklana taca lub zespół pierścienia płyty obrotowej pękną lub złamią się, należy skontaktować się z najbliższym autoryzowanym centrum serwisowym.

MONTAŻ PRODUKTU

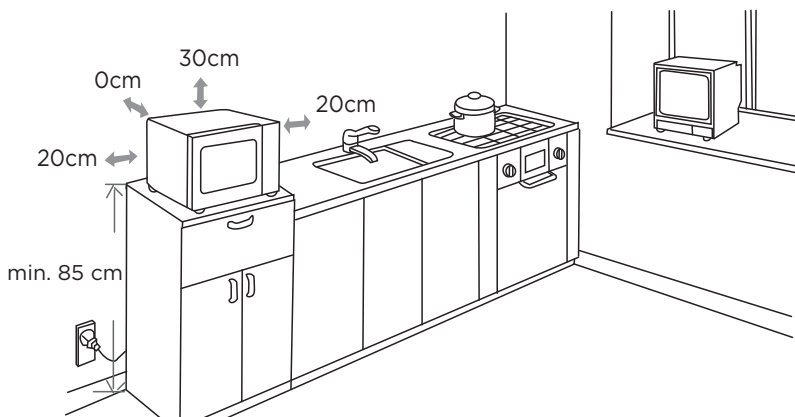
Instalacja na blacie

Usunąć wszelkie elementy opakowania i akcesoria. Sprawdzić, czy kuchenka nie jest uszkodzona, np. brak wgniecień lub drzwiczki nie są pęknięte. Nie instalować kuchenki, jeśli jest uszkodzona.

Szafka: usunąć całą folię na powierzchni obudowy kuchenki mikrofalowej. Nie należy usuwać pokrywy falowodów, która jest umocowana w wgłębieniu w kuchenke w celu ochrony magnetronu.

Montaż

1. Wybrać równą powierzchnię, która oferuje wystarczającą otwartą przestrzeń dla wlotów i/lub wylotów powietrza.



- Minimalna wysokość zabudowy to 85 cm.
 - Tylna powierzchnia urządzenia powinna być skierowana do ściany. Pozostawić przynajmniej 30 cm odległości ponad kuchenką. 20 cm jest wymagane między kuchenką a którąkolwiek sąsiednią ścianą.
 - Nie należy usuwać nóżek ze spodu kuchenki.
 - Blokowanie wlotu i/lub wylotu może uszkodzić kuchenkę.
 - Umieścić kuchenkę tak daleko od odbiorników radiowych i telewizyjnych, jak to tylko możliwe. Obsługa kuchenki mikrofalowej może spowodować zakłócenia odbioru radiowego lub telewizyjnego.
2. Podłączyć kuchenkę do standardowego gniazda ściennego. Upewnić się, że napięcie i częstotliwość są takie same, jak napięcie i częstotliwość na tabliczce znamionowej.

⚠ OSTRZEŻENIE

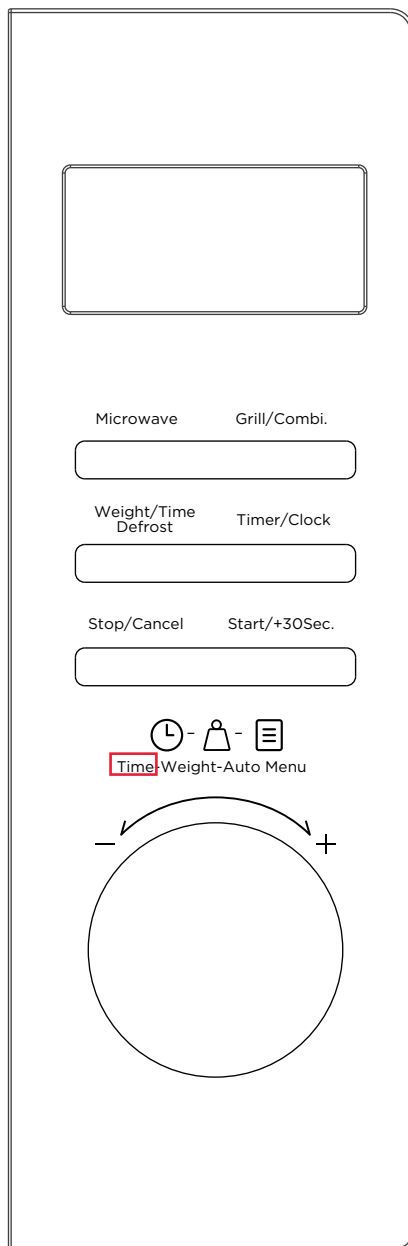
Nie należy instalować kuchenki ponad zwykłą kuchenką lub innym urządzeniem wytwarzającym gorąco. Jeśli kuchenka jest zainstalowana w pobliżu lub nad źródłem ciepła, może się uszkodzić oraz unieważnić gwarancję.

Dostępna powierzchnia może być gorąca podczas pracy.



INSRTRUKCJA OBSŁUGI

PL



Ustawianie zegara

1. Nacisnąć dwukrotnie „Timer/Clock”, a na wyświetlaczu pojawi się „00:00”.
2. Przekręcić pokrętkę, by ustawić cyfry godziny. Godzina powinna przypadać między 0 a 23.
3. Nacisnąć „Timer/Clock”, aby potwierdzić.
4. Przekręcić pokrętkę, by ustawić cyfry minut. Minuty powinny przypadać między 0 a 59.
5. Nacisnąć „Timer/Clock”, aby potwierdzić. Zegar jest ustawiony.

UWAGA

- Zegar wyświetla godzinę w formacie 24-godzinny. Jeśli zegar nie jest ustawiony, nie będzie działał po włączeniu zasilania.
- Aby zresetować zegar, powtórzyć kroki od 1 do 5.
- Po wykonaniu kroku 4, jeśli nie naciśnięto „ Timer/Clock ” lub nie zostanie wykonana żadna czynność w ciągu 1 minuty,
- ustawienie jest anulowane.

Ustawianie minutnika kuchennego

1. Nacisnąć jednokrotnie „Timer/Clock”, a na wyświetlaczu pojawi się „0:00”.
2. Przekręcić pokrętkę, by ustawić żądany czas. Maksymalną wartością czasu jest „95:00”.
3. Nacisnąć „ Start/+30Sec. ”, aby potwierdzić. Minutnik rozpoczyna odliczanie.

UWAGA

W czasie odliczania minutnika kuchennego nie można ustawić żadnego innego programu.

Obróbka termiczna z wykorzystaniem mikrofal

Poziom mocy

Dostępnych jest 5 poziomów.

Poziom mocy	Wyświetlacz
100%	P100
80%	P80
50%	P50
30%	P30
10%	P10

1. Nacisnąć jednokrotnie „ Microwave ”, a wyświetli się „P100”.
2. Nacisnąć wielokrotnie „ Microwave ” lub przekręcić pokrętkę, by ustawić poziom mocy. Dostępnych jest 5 poziomów.
3. Nacisnąć „ Start/+30Sec. ”, aby potwierdzić.
4. Przekręcić pokrętkę, by dostosować czas gotowania. Maksymalną wartością czasu jest „95:00”.
5. Nacisnąć „ Start/+30Sec. ”, aby rozpocząć obróbkę termiczną.

UWAGA

Otwarcie drzwiczek kuchenki lub naciśnięcie „ Stop/Cancel ” podczas pracy przerwie bieżący tryb.

Obróbka termiczna z wykorzystaniem funkcji grilla

1. Nacisnąć jednokrotnie „ Grill/Combi. ”, a wyświetli się „G-1”.
2. Nacisnąć „ Start/+30Sec. ”, aby potwierdzić.
3. Przekręcić pokrętko, by ustawić czas gotowania. Maksymalną wartością czasu jest „95:00”.
4. Nacisnąć „ Start/+30Sec. ”, aby rozpocząć obróbkę termiczną.

UWAGA

Po upływie połowy czasu rozlegnie się brzęczyk, by przypomnieć i odwróceniu jedzenia. Jeśli nie zostaną podjęte żadne czynności, kuchenka będzie kontynuować pracę.

Obróbka termiczna kombinowana

PL

1. Nacisnąć dwukrotnie lub trzykrotnie „ Grill/Combi. ”, a wyświetli się „C-1”, „C-2”.
2. Nacisnąć „ Start/+30Sec. ”, aby potwierdzić.
3. Przekręcić pokrętko, by ustawić czas gotowania. Maksymalną wartością czasu jest „95:00”.
4. Nacisnąć „ Start/+30Sec. ”, aby rozpocząć obróbkę termiczną.

Funkcja	Wyświetlacz	Moc mikrofal	Moc grilla
Komb. 1	C-1	55%	45%
Komb. 2	C-2	36%	64%

Rozmrażanie według wagi

1. Nacisnąć jednokrotnie „ Weight/Time Defrost ”, a na ekranie wyświetli się „dEF1”.
2. Przekręcić pokrętko, by ustawić wagę jedzenia. Zakres wagi to 100-2000 g.
3. Nacisnąć „ Start/+30Sec. ”, aby rozpocząć rozmrażanie.

UWAGA

Rozlegnie się brzęczyk, by przypomnieć o odwróceniu jedzenia podczas rozmrażania. Jeśli nie zostaną podjęte żadne czynności, kuchenka będzie kontynuować pracę.

Rozmrażanie według czasu

1. Nacisnąć dwukrotnie „ Weight/Time Defrost ”, a na ekranie wyświetli się „dEF2”.
2. Przekręcić pokrętko, by ustawić żądany czas rozmrażania. Maksymalną wartością czasu jest „95:00”.
3. Nacisnąć „ Start/+30Sec. ”, aby rozpocząć rozmrażanie.

UWAGA

- Po upływie połowy czasu rozlegnie się brzęczyk, by przypomnieć i odwróceniu jedzenia. Jeśli nie zostaną podjęte żadne czynności, kuchenka będzie kontynuować pracę.
- Moc rozmrażania to P30 i nie można jej zmienić.

Wieloetapowa obróbka termiczna

UWAGI

- Dwa etapy obróbki termicznej mogą być ustawione w wieloetapowej obróbce termicznej.
- Jeśli ustawi się funkcję rozmrażania, będzie to automatycznie pierwszy etap.
- Minutnik kuchenny, menu automatyczne nie mogą być ustawione jako jeden z etapów.

Przykład: Rozmrażać jedzenie przez 5 minut, a następnie obrabiać termicznie na 80% mocy mikrofal przez 7 minut.

1. Nacisnąć dwukrotnie „ **Weight/Time Defrost** ”, a na ekranie wyświetli się „dEF2”.
2. Przekręcić pokrętko, by ustawić żądany czas rozmrażania 5 minut.
3. Nacisnąć „ **Microwave** ”, a wyświetli się „P100”.
4. Przekręcić pokrętko, by ustawić poziom mocy P80. Następnie nacisnąć „ **Start/+30Sec.**”, by potwierdzić.
5. Przekręcić pokrętko, by ustawić czas gotowania 7 minut.
6. Nacisnąć „ **Start/+30Sec.** ”, aby rozpocząć obróbkę termiczną.

PL

Szybka obróbka termiczna

1. W trybie oczekiwania nacisnąć „ **Start/+30Sec.**”, by obrabiać termicznie jedzenie z poziomem mocy 100% przez 30 sekund. Każde naciśnięcie tego samego przycisku zwiększy wartość o 30 sekund. Maksymalnie można ustawić wartość 95 minut.
2. W trybie oczekiwania przekręcić pokrętko w lewą stronę, by ustawić czas obróbki termicznej z poziomem mocy 100%. Następnie w dalszym ciągu przekręcać pokrętko, by dostosować czas gotowania. Maksymalna wartość czasu wynosi 95 minut. Nacisnąć „ **Start/+30Sec.** ”, aby rozpocząć obróbkę termiczną.

Funkcja blokady przed dziećmi

Tej funkcji można użyć, by uniemożliwić dzieciom przypadkowe włączenie kuchenki. Aby aktywować blokadę:

W trybie oczekiwania nacisnąć i przez trzy sekundy przytrzymać „ **Stop/Cancel** ”.

Rozlegnie się brzęczyk i wyświetli się „ **[_ _]**”.

Aby dezaktywować blokadę:

W trybie blokady nacisnąć i przez trzy sekundy przytrzymać „ **Stop/Cancel** ”.

Rozlegnie się brzęczyk.

Funkcja wywołania informacji

1. Jeśli zegar został ustawiony, można na trzy sekundy wyświetlić bieżącą godzinę, naciskając „ Timer/Clock ” w trybie obróbki termicznej.
2. W trybie obróbki termicznej nacisnąć „ Microwave ”, by przywołać informacje o poziomie mocy. Zostaną one wyświetlone przez trzy sekundy. W trybie grilla i obróbki termicznej kombinowanej można przywołać informacje, naciskając „ Grill/Combi. ”.

Menu automatyczne

1. Przekręcić pokrętko w prawo, a zacznie migać „A-1”.
2. W dalszym ciągu przekręcać pokrętko, by wybrać potrzebne menu. Dostępnych jest 8 menu automatycznych.
3. Nacisnąć „ Start/+30Sec. ”, aby potwierdzić.
4. Przekręcić pokrętko, by ustawić wagę jedzenia.
5. Nacisnąć „ Start/+30Sec. ”, aby rozpocząć obróbkę termiczną.

PL

UWAGI

- Otwarcie drzwiczek kuchenki lub naciśnięcie „ Stop/Cancel ” podczas pracy przerwie bieżący tryb.
- Konieczne jest przekręcanie pokrętła najpierw w prawo w trybie oczekiwania, by wybrać „Menu automatyczne”. Przekręcając pokrętko najpierw w lewo wchodzi się do czasu gotowania szybkiej obróbki termicznej.

Tabela menu:

Menu	Waga	Wyświetlacz	Moc
A-1 Automatycznie podgrzewanie	200 g	200	P100
	400 g	400	
	600 g	600	
A-2 Warzywa	200 g	200	P100
	300 g	300	
	450 g	450	
A-3 Ryba	150 g	150	C-2
	300 g	300	
	450 g	450	
A-4 Mięso	200 g	200	C-2
	300 g	300	
	500 g	500	
A-5 Makaron	50 g (w 450 g zimnej wody)	50	P80
	100 g (z 800 g zimnej wody)	100	
A-6 Ziemniaki	1 (230 g)	1	P100
	2	2	
	3	3	
A-7 Pizza	200 g	200	P100
	400 g	400	
A-8 Ryż	200 g	200	P100+P50
	400 g	400	

PL

CZYSZCZENIE I KONSERWACJA

Należy pamiętać o odłączeniu urządzenia od zasilania.

- Po użyciu wyczyścić wnętrze kuchenki lekko wilgotną ściereczką.
- Akcesoria czyścić w zwykły sposób w wodzie z mydłem.
- Gdy są zabrudzone, rama drzwiczek i uszczelka oraz sąsiadujące części muszą być dokładnie wyczyszczone wilgotną ściereczką.
- Do czyszczenia szyby drzwiczek kuchenki nie używać ostrych, ściernych środków czyszczących ani ostrych metalowych skrobaczek, ponieważ one porysować powierzchnię, co może doprowadzić do rozbicia szyby.
- Wskazówka dotycząca czyszczenia — dla łatwiejszego czyszczenia ścianek komory kuchenki, które mogą wchodzić w kontakt z przygotowywaną żywnością: Umieścić pół cytryny w misce, dodać 300 ml (1/2 penty) wody i podgrzewać na 100% mocy mikrofal przez 10 minut. Wyrzeć kuchenkę do czysta miękką, suchą ściereczką.


ROZWIĄZYWANIE PROBLEMÓW

Normalne zjawiska	
Kuchenka mikrofalowa zakłócająca odbiór TV	Podczas pracy kuchenki mikrofalowej mogą wystąpić zakłócenia odbioru sygnału radiowego i telewizyjnego. Jest to podobne do zakłóceń powodowanych przez małe urządzenia elektryczne, takie jak mikser, odkurzacz i wentylator elektryczny. Jest to normalne zjawisko.
Przyciemnione światło kuchenki	Podczas obróbki termicznej w kuchenke mikrofalowej z ustawieniem niskiej mocy, oświetlenie kuchenki może ulec przyciemnieniu. Jest to normalne zjawisko.
Para gromadząca się na drzwiach, gorące powietrze ulatujące z otworów wentylacyjnych	Podczas obróbki termicznej z potraw może wydobywać się para. Jej większość wydostaje się z otworów wentylacyjnych. Ale część może skraplać się na chłodnej powierzchni, takiej jak drzwiczki kuchenki. Jest to normalne zjawisko.
Kuchenka została przypadkowo uruchomiona bez żywności.	Nie wolno uruchamiać urządzenia bez żywności w środku. Jest to bardzo niebezpieczne.

PL

Problem	Możliwa przyczyna	Środek zaradczy
Nie można włączyć kuchenki.	• Przewód zasilający nie jest dobrze podłączony.	• Odłączyć wtyczkę. Podłączyć ponownie po 10 sekundach.
	• Przepalony bezpiecznik lub zadziałał wyłącznik automatyczny.	• Wymienić bezpiecznik lub zresetować wyłącznik automatyczny (naprawa przez profesjonalny personel naszej firmy)
	• Problem z gniazdkiem.	• Przetestować gniazdko z innymi urządzeniami elektrycznymi.
Kuchenka nie nagrzewa się.	• Drzwiczki nie są dobrze zamknięte.	• Dobrze zamknąć drzwiczki.

ZNAKI TOWAROWE, PRAWA AUTORSKIE I OŚWIADCZENIA PRAWNE

Logo , znaki słowne, nazwa handlowa, szata graficzna i wszystkie ich wersje, a także cała wartość firmy wynikająca z wykorzystywania jakiegokolwiek części znaku handlowego Midea, stanowią cenne aktywa Grupy Midea lub jej spółek zależnych („Midea”), dla których firma Midea posiada znaki handlowe, prawa autorskie i inne prawa własności intelektualnej. Wykorzystanie znaku towarowego Midea do celów komercyjnych bez uprzedniej pisemnej zgody firmy Midea może stanowić naruszenie znaku towarowego lub stanowić nieuczciwą konkurencję z naruszeniem odpowiednich przepisów.

PL Niniejsza instrukcja użytkowania została stworzona przez firmę Midea, która zastrzega sobie wszelkie prawa autorskie do niej. Żaden podmiot ani osoba nie może wykorzystywać, powielać, modyfikować, rozpowszechniać w całości lub w części niniejszej instrukcji, ani łączyć lub sprzedawać jej z innymi produktami bez uprzedniej pisemnej zgody firmy Midea.

Wszelkie opisane funkcje i wskazówki były aktualne w momencie drukowania niniejszej instrukcji. Jednakże rzeczywisty produkt może różnić się ze względu na ulepszone funkcje i konstrukcje.

UTYLIZACJA I RECYKLING

Ważne wskazówki dotyczące środowiska

Zgodność z dyrektywą WEEE dotyczącą utylizacji i recyklingu zużytego sprzętu elektrycznego i elektronicznego:

Niniejszy produkt spełnia wymogi dyrektywy UE WEEE (2012/19/EU). Niniejszy produkt oznaczono znakiem klasyfikacji dla zużytego sprzętu elektrycznego i elektronicznego (WEEE).

Ten znak wskazuje, że na niniejszy produkt nie powinien być wyrzucany z odpadami domowymi po zakończeniu jego okresu użytkowania. Zużyte urządzenie należy oddać do oficjalnego punktu zbiórki w celu recyklingu urządzeń elektrycznych. Aby uzyskać informacje na temat takich punktów zbiórki, należy skontaktować się z władzami lokalnymi lub ze sprzedawcą, u którego zakupiono niniejszy produkt. Każde gospodarstwo domowe odgrywa ważną rolę w odzyskiwaniu i recyklingu starych urządzeń. Odpowiednia utylizacja zużytego urządzenia pomaga zapobiegać potencjalnym negatywnym konsekwencjom dla środowiska i zdrowia ludzkiego.



PL

Zgodność z dyrektywą RoHS

Niniejszy produkt spełnia wymagania dyrektywy UE RoHS (2011/65/EU). Nie zawiera szkodliwych ani zabronionych materiałów określonych w dyrektywie.

Informacje dotyczące opakowania

Materiały, z których wykonano opakowanie niniejszego produktu zostały wytworzone z elementów nadających się do recyklingu zgodnie z naszymi krajowymi przepisami dotyczącymi środowiska. Nie należy wyrzucać materiałów opakowania wraz z odpadami domowymi lub innymi. Materiały opakowania należy dostarczyć do punktu zbiórki wyznaczonego przez lokalne władze.



INFORMACJA DOTYCZĄCA OCHRONY DANYCH OSOBOWYCH

Aby świadczyć usługi uzgodnione z klientem, zobowiązujemy się do przestrzegania bez ograniczeń wszelkich postanowień obowiązującego prawa dotyczącego ochrony danych osobowych oraz zgodnie z procedurami obowiązującymi w uzgodnionych państwach, w których będą świadczone usługi na rzecz klienta, jak również w stosownych przypadkach postanowień wynikających z ogólnego rozporządzenia o ochronie danych UE (RODO).

Co do zasady przetwarzanie przez nas danych osobowych jest związane z wypełnieniem naszych zobowiązań wynikających z umowy oraz z bezpieczeństwem produktu, do ochrony praw klienta w związku z pytaniami dotyczącymi gwarancji i rejestracji produktu. W niektórych przypadkach, lecz wyłącznie pod warunkiem zapewnienia odpowiedniej ochrony danych osobowych, takie dane mogą być przekazywane odbiorcom znajdującym się poza Europejskim Obszarem Gospodarczym.

Dodatkowe informacje są udzielane na życzenie. Kontakt z naszym inspektorem ochrony danych jest możliwy za pośrednictwem poczty elektronicznej pod adresem **MideaDPO@midea.com**. Aby skorzystać ze swoich praw, takich jak prawo do sprzeciwu wobec przetwarzania danych osobowych w celach marketingu bezpośredniego, należy skontaktować się z nami za pomocą poczty elektronicznej pod adresem **MideaDPO@midea.com**. Aby uzyskać dodatkowe informacje, należy zeskanować kod QR.

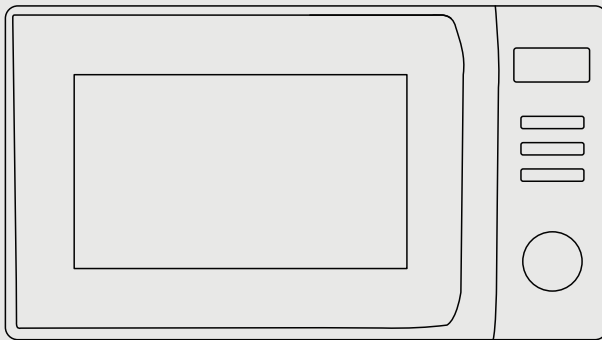


make yourself at home



www.midea.com

© Midea 2024 all rights reserved



RO

CUPTOR CU MICROUND

MANUAL DE UTILIZARE

**AG20CF2E
AG20CF2EBK**

Avertismente: Înainte de a utiliza acest produs, vă rugăm să citiți cu atenție acest manual și să-l păstrați pentru referințe ulterioare. Designul și specificațiile pot fi modificate fără notificare prealabilă pentru îmbunătățirea produsului. Consultați dealerul sau producătorul pentru detalii.

Diagrama de mai sus este doar pentru referință. Vă rugăm să luați ca standard aspectul produsului real.

SCRISOARE DE MULȚUMIRE

Vă mulțumim că ați ales Midea! Înainte de a utiliza noul produs Midea, vă rugăm să citiți cu atenție acest manual pentru a vă asigura că știți cum să folosiți în siguranță caracteristicile și funcțiile pe care le oferă noul dumneavoastră aparat.

CUPRINS

SCRISOARE DE MULȚUMIRE	RO-01
INSTRUCȚIUNI DE SIGURANȚĂ	RO-02
SPECIFICAȚIE	RO-12
PREZENTAREA PRODUSULUI	RO-13
INSTALAREA PRODUSULUI	RO-15
INSTRUCȚIUNI DE OPERARE	RO-16
CURĂȚARE ȘI ÎNTREȚINERE	RO-22
DEPANARE	RO-23
MĂRCI COMERCIALE, DREPTURI DE AUTOR ȘI DECLARAȚIE JURIDICĂ	RO-24
ELIMINAREA ȘI RECICLAREA	RO-25
NOTĂ PRIVIND PROTECȚIA DATELOR	RO-26

RO

INSTRUCȚIUNI DE SIGURANȚĂ

Utilizare preconizată

Următoarele instrucțiuni de siguranță au ca scop prevenirea riscurilor neprevăzute sau a daunelor cauzate de utilizarea nesigură sau incorectă a aparatului. Vă rugăm să verificați ambalajul și aparatul la sosire pentru a vă asigura că totul este intact pentru a asigura o funcționare sigură. Dacă fiecare dintre ele este deteriorată, vă rugăm să contactați vânzătorul sau dealerul. Vă rugăm să rețineți că nu sunt permise modificări sau modificări ale aparatului din motive de siguranță. Utilizarea neintenționată poate cauza pericole și pierderea drepturilor de garanție.

Explicarea simbolurilor



Pericol

Acest simbol indică faptul că există pericole pentru viața și sănătatea persoanelor din cauza gazului extrem de inflamabil.



Avertisment de tensiune electrică

Acest simbol indică faptul că există un pericol pentru viața și sănătatea persoanelor din cauza tensiunii.



Avertisment

Cuvântul de semnalizare indică un pericol cu un nivel mediu de risc care, dacă nu este evitat, poate duce la deces sau vătămări grave.



Prudență

Cuvântul de semnalizare indică un pericol cu un grad scăzut de risc care, dacă nu este evitat, poate avea ca rezultat vătămări minore sau moderate.



Atenție

Cuvântul de semnal indică informații importante (de exemplu, pagube materiale), dar nu și un pericol.



Respectați instrucțiunile

Acest simbol indică faptul că un tehnician de service trebuie să utilizeze și să întrețină acest aparat numai în conformitate cu instrucțiunile de utilizare.

Citiți cu atenție și cu atenție aceste instrucțiuni de utilizare înainte de a utiliza/pune în funcțiune aparatul și păstrați-le în imediata apropiere a locului de instalare sau a aparatului pentru utilizare ulterioară!

Precauții pentru a evita posibila expunere la energia excesivă a cuptoarelor cu microunde

- a. Nu încercați să folosiți acest cuptor cu ușa deschisă, deoarece acest lucru poate duce la o expunere dăunătoare la energia cuptorului cu microunde. Este important să nu rupeți sau să manipulați dispozitivele de blocare de siguranță.
- b. Nu așezați niciun obiect între fața frontală a cuptorului și ușă și nu lăsați să se acumuleze murdărie sau reziduuri de detergent pe suprafețele de etanșare.
- c. **AVERTISMENT:** Dacă ușa sau garniturile de etanșare ale ușii sunt deteriorate, cuptorul nu trebuie să fie utilizat până când nu este reparat de o persoană competentă.

Addendum

În cazul în care aparatul nu este menținut într-o stare bună de curățenie, suprafața acestuia s-ar putea degrada și ar putea afecta durata de viață a aparatului și ar putea duce la o situație periculoasă.

RO

▲ AVERTISMENT

Pentru a reduce riscul de incendiu, electrocutare, rănire a persoanelor sau expunere la o energie excesivă a cuptorului cu microunde atunci când utilizați aparatul, respectați precauțiile de bază, inclusiv următoarele:

- Citiți și respectați instrucțiunile specifice: "PRECAUȚII PENTRU A EVITA O EXPUNERE POSIBILĂ LA ENERGIE EXCESIVĂ LA MICROUNDRE".
- Acest aparat poate fi utilizat de copii cu vârsta de peste 8 ani și de persoane cu capacități fizice, senzoriale sau mentale reduse sau cu lipsă de experiență și cunoștințe, dacă acestea au fost supravegheate sau instruite cu privire la utilizarea aparatului în condiții de siguranță și dacă înțeleg pericolele implicate. Copiii nu trebuie să se joace cu aparatul. Curățarea și întreținerea de către utilizator nu trebuie efectuate de către copii fără supraveghere.
- Țineți aparatul și cablul acestuia departe de copiii cu vârsta mai mică de 8 ani.
- În cazul în care cablul de alimentare este deteriorat, acesta trebuie înlocuit de producător, de agentul său de service sau de persoane calificate în mod similar, pentru a evita un pericol.
- AVERTISMENT: Asigurați-vă că aparatul este oprit înainte de a înlocui lampa pentru a evita posibilitatea de șoc electric.

- **AVERTISMENT:** Este periculos pentru orice persoană, alta decât o persoană competentă, să efectueze orice operațiune de service sau de reparație care implică îndepărtarea unui capac care oferă protecție împotriva expunerii la energia cu microunde.
- **AVERTISMENT:** Lichidele și alte alimente nu trebuie încălzite în recipiente sigilate, deoarece acestea pot exploda.
- Atunci când încălziți alimente în recipiente de plastic sau de hârtie, supravegheați cuptorul din cauza posibilității de aprindere.
- Folosiți numai ustensile care sunt adecvate pentru cuptoarele cu microunde.
- În cazul în care se degajă fum, opriți sau scoateți aparatul din priză și țineți ușa închisă pentru a înăbuși eventualele flăcări.
- Încălzirea cu microunde a băuturilor poate avea ca rezultat o fierbere eruptivă întârziată, prin urmare trebuie să se acorde atenție la manipularea recipientului.
- Conținutul biberoanelor și al borcănelor de mâncare pentru copii trebuie agitat sau amestecat și temperatura trebuie verificată înainte de consum, pentru a evita arsurile.
- Ouăle în coajă și ouăle fierte tari întregi nu trebuie încălzite în cuptoare cu microunde, deoarece pot exploda, chiar și după ce încălzirea cu microunde a luat sfârșit.
- Cuptorul trebuie curățat în mod regulat și trebuie îndepărtate toate depunerile de alimente.

- Neîntreținerea cuptorului într-o stare de curățenie ar putea duce la deteriorarea suprafeței, ceea ce ar putea afecta negativ durata de viață a aparatului și ar putea duce la o situație periculoasă.
- Aparatul nu trebuie să fie instalat în spatele unei uși decorative pentru a evita supraîncălzirea. (Acest lucru nu este aplicabil pentru aparatele cu ușă decorativă.)
- Utilizați numai sonda de temperatură recomandată pentru acest cuptor. (pentru cuptoarele prevăzute cu posibilitatea de a utiliza o sondă de detectare a temperaturii.)
- Cuptorul cu microunde nu trebuie să fie amplasat într-un dulap decât dacă a fost testat într-un dulap.
- Cuptorul cu microunde trebuie să funcționeze cu ușa decorativă deschisă. (pentru cuptoarele cu ușă decorativă.)
- Acest aparat este destinat utilizării în gospodării și în aplicații similare, cum ar fi:
 - zone de bucătărie pentru personalul din magazine, birouri și alte medii de lucru;
 - de către clienții din hoteluri, moteluri și alte medii de tip rezidențial;
 - case de fermă;
 - medii de tip pensiune.
- Cuptorul cu microunde este destinat încălzirii alimentelor și băuturilor. Uscarea alimentelor sau a îmbrăcămintei și încălzirea plăcuțelor de încălzire, papucilor, bureților, cârpei umede și similare pot duce la risc de rănire, aprindere sau incendiu.
- Recipientele metalice pentru alimente și băuturi nu sunt permise în timpul gătitului la microunde.
- Aparatul nu trebuie curățat cu un aparat de curățare cu aburi.

- Aparatul este destinat să fie utilizat independent.
- Suprafața posterioară a aparatelor trebuie să fie amplasată pe un perete.
- Aparatele nu sunt concepute pentru a fi acționate prin intermediul unui temporizator extern sau al unui sistem separat de telecomandă.
- Temperatura suprafețelor accesibile poate fi ridicată atunci când aparatul funcționează.
- AVERTISMENT: Atunci când aparatul funcționează în modul combinat, copiii trebuie să folosească cuptorul numai sub supravegherea unui adult, din cauza temperaturilor generate.

**CITIȚI CU ATENȚIE ȘI PĂSTRAȚI PENTRU REFERINȚE
VIITOARE**

RO

Pentru a reduce riscul de rănire a persoanelor Instalația de împământare

⚠ PERICOL

Pericol de șoc electric

Atingerea unora dintre componentele interne poate provoca vătămări corporale grave sau chiar moartea. Nu dezasamblați acest aparat.

⚠ AVERTISMENT

Pericol de șoc electric

Utilizarea necorespunzătoare a împământării poate duce la electrocutare. Nu conectați aparatul la o priză până când nu este instalat și împământat corespunzător.

Acest aparat trebuie să fie legat la pământ. În cazul unui scurtcircuit electric, împământarea reduce riscul de șoc electric, oferind un fir de evacuare a curentului electric.

Acest aparat este echipat cu un cablu cu un fir de împământare cu o fișă de împământare. Ștecherul trebuie să fie conectat la o priză care este instalată și împământată în mod corespunzător.

Consultați un electrician sau un tehnician calificat dacă instrucțiunile de împământare nu sunt înțelese pe deplin sau dacă există îndoieli cu privire la faptul că aparatul este corect împământat.

Dacă este necesar să folosiți un prelungitor, folosiți numai un prelungitor cu 3 fire.

- Este prevăzut un cablu de alimentare scurt pentru a reduce riscurile rezultate din încurcarea sau împiedicarea de un cablu mai lung.
- Dacă se utilizează un cablu lung sau un cablu prelungitor:
 - Valoarea electrică marcată a setului de cablu sau a prelungitorului trebuie să fie cel puțin la fel de mare ca valoarea electrică a aparatului.

- Cablul prelungitor trebuie să fie un cablu cu 3 fire cu împământare.
- Cablul lung ar trebui să fie dispus astfel încât să nu stea pe blatul sau masa de lucru, unde poate fi tras de copii sau poate cauza împiedicarea.

Ustensile

PRUDENȚĂ

Pericol de vătămare corporală

Este periculos ca orice persoană, alta decât o persoană competentă, să efectueze orice operațiune de întreținere sau de reparație care implică îndepărtarea unui capac care oferă protecție împotriva expunerii la energia cu microunde. Consultați instrucțiunile privind „Materialele pe care le puteți utiliza în cuptorul cu microunde sau cele a căror utilizare în cuptorul cu microunde trebuie evitată.” Este posibil ca anumite ustensile nemetalice să nu poată fi folosite în siguranță la microunde. Dacă aveți îndoieli, puteți testa ustensila în cauză urmând procedura de mai jos.

RO

Testul cu ustensile:

- Umpleți un recipient rezistent la cuptorul cu microunde cu 1 cană de apă rece (250 ml) împreună cu ustensila în cauză.
- Gătiți la putere maximă timp de 1 minut.
- Pipăiți cu atenție ustensila. Dacă ustensilele goale sunt calde, nu le folosiți pentru gătit la microunde.
- Nu depășiți timpul de gătire de 1 minut.

Materiale pe care le puteți utiliza în cuptorul cu microunde

Ustensile	Observații
Vas de rumenit	Urmați instrucțiunile producătorului. Partea inferioară a vasului de rumenit trebuie să fie la cel puțin 3/16 inch (5 mm) deasupra plăcii rotative. Utilizarea incorectă poate cauza ruperea plăcii rotative.
Vesela	Doar materiale sigure pentru cuptorul cu microunde. Urmați instrucțiunile producătorului. Nu folosiți vase crăpate sau ciobite.
Borcane de sticlă	Scoateți întotdeauna capacul. Folosiți doar pentru a încălzi alimentele până când acestea sunt abia calde. Majoritatea borcanelor de sticlă nu sunt rezistente la căldură și se pot sparge.
Sticlă	Numai sticlă rezistentă la căldură pentru cuptor. Asigurați-vă că nu există ornamente metalice. Nu folosiți vase crăpate sau ciobite.
Pungi pentru gătit în cuptor	Urmați instrucțiunile producătorului. Nu închideți cu cravată metalică. Faceți fante pentru a permite aburului să iasă.
Farfurii și pahare de hârtie	Utilizați doar pentru gătit/încălzire pe termen scurt. Nu lăsați cuptorul nesupravegheat în timpul gătitului.
Prosoape de hârtie	Se utilizează pentru a acoperi alimentele pentru reîncălzire și pentru a absorbi grăsimea. A se utiliza numai sub supraveghere pentru o perioadă scurtă de timp.
Hârtie pergament	Folosiți-o ca un capac pentru a preveni stropirea sau ca o învelitoare pentru gătit la aburi.
Plastic	Doar materiale sigure pentru cuptorul cu microunde. Urmați instrucțiunile producătorului. Trebuie să fie etichetate cu mențiunea „Sigur pentru cuptorul cu microunde”. Unele recipiente din plastic se înmoaie, deoarece alimentele din interior se încălzesc. „Pungile de fierbere” și pungile de plastic bine închise trebuie să fie tăiate, perforate sau aerisite conform indicațiilor de pe ambalaj.
Folie de plastic	Doar materiale sigure pentru cuptorul cu microunde. Se utilizează pentru a acoperi alimentele în timpul gătitului pentru a reține umiditatea. Nu permiteți ca folia de plastic să atingă alimentele.
Termometre	Numai în condiții de siguranță pentru microunde (termometre cu carne și bomboane).
Hârtie de cerată	Utilizați ca capac pentru a preveni stropirea și rețineți umiditatea.

Materiale a căror utilizare în cuptorul cu microunde trebuie evitată

Ustensile	Observații
Tavă din aluminiu	Poate provoca formarea de arcuri electrice. Transferați alimentele în vasul rezistent la microunde.
Carton alimentar cu mâner metalic	Poate provoca formarea de arcuri electrice. Transferați alimentele în vasul rezistent la microunde.
Ustensile din metal sau cu garnituri metalice	Metalul protejează alimentele de energia cuptorului cu microunde. Garnitura metalică poate provoca formarea de arcuri electrice.
Legături din metal	Poate cauza formarea unui arc electric și poate provoca un incendiu în cuptor.
Pungi de hârtie	Poate provoca un incendiu în cuptor.
Spumă de plastic	Spuma de plastic se poate topi sau contamina lichidul din interior atunci când este expusă la temperaturi ridicate.
Lemn	Lemnul se va usca atunci când este utilizat în cuptorul cu microunde și se poate despica sau crăpa.

SPECIFICAȚIE

MODEL	AG20CF2E / AG20CF2EBK
TENSIUNEA NOMINALĂ	230 V~
FRECVENȚA NOMINALĂ	50 Hz
INTRARE NOMINALĂ	1050 W
PUTERE NOMINALĂ (CU MICROUNDDE)	700 W
INTRARE NOMINALĂ (GRĂȚAR)	1000 W

RO

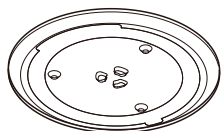
PREZENTAREA PRODUSULUI

Denumiri de piese și accesorii pentru cuptor

(În cazul în care există diferențe între aparat și imaginile din acest manual, prevalează produsul.)

Scoateți cuptorul și toate materialele din cutie și din cavitatea cuptorului.

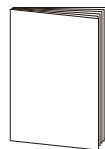
Cuptorul dvs. este furnizat cu următoarele accesorii:



Tavă de sticlă



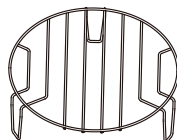
Ansamblu inel placă rotativă



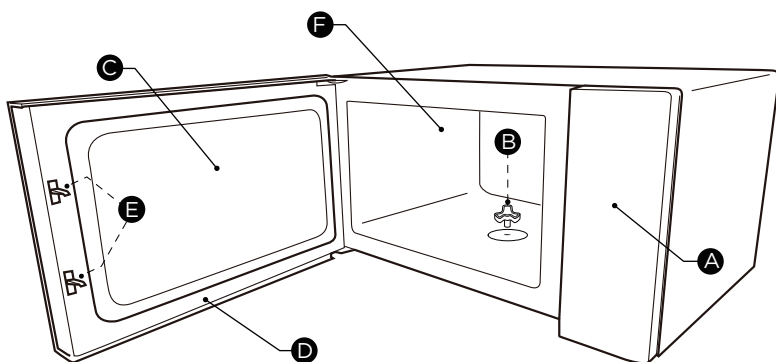
Manual de instrucțiuni



Ax al platoului rotativ



Grătar (nu poate fi folosit în funcția de microunde și trebuie așezat pe tava de sticlă)



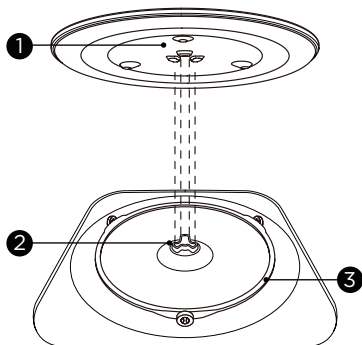
- A) Panou de comandă
- B) Ax al platoului rotativ
- C) Fereastră pentru observare

- F) Ansamblu ușă
- E) Sistem de blocare de siguranță
- F) Cavitatea cuptorului

RO

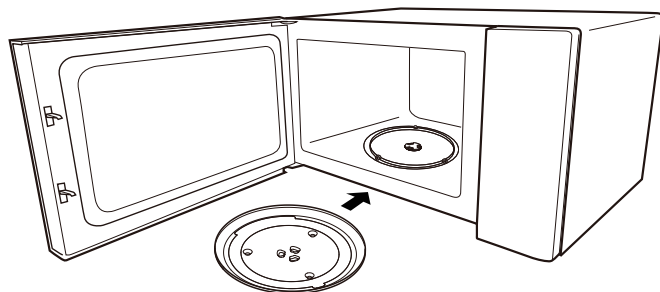
Instalarea platoului rotativ

Curățarea compartimentului de gătit și poziționarea plăcii turnante. În cazul instalațiilor noi, asigurați-vă că toate ambalajele și benzile de transport au fost îndepărtate de pe axul platoului rotativ. Înainte de a utiliza aparatul pentru a pregăti alimente pentru prima dată, va trebui să puneți corect placa rotativă. Trebuie să curățați compartimentul de gătit și accesoriile.



Cum se pune placa rotativă la loc:

1. Așezați ansamblul inelar al plăcii rotative ③ în locașul din compartimentul de gătit.
2. Așezați tava de sticlă ① pe ansamblul inelar al plăcii rotative ③. Potrivii liniile curbe în relief în centrul fundului tăvii de sticlă între cele trei spițe ale arborelui. Asigurați-vă că tava de sticlă ① se cuplează în arborele plăcii rotative ② din centrul podelei compartimentului de gătit. Rolele de pe arbore ar trebui să se potrivească în interiorul crestei inferioare a plăcii rotative.



NOTE

- Niciodată nu utilizați aparatul fără placa rotativă. Asigurați-vă că este poziționată corespunzător. Placa rotativă se poate roti în sensul acelor de ceasornic sau în sens invers.
- Nu așezați niciodată tava de sticlă cu susul în jos. Tava de sticlă nu trebuie niciodată restricționată.
- Atât tava de sticlă, cât și ansamblul inel-platou rotativ trebuie să fie folosite întotdeauna în timpul gătitului.
- Toate alimentele și recipientele cu alimente sunt întotdeauna așezate pe tava de sticlă pentru gătit.
- Nu restricționați niciodată mișcarea plăcii rotative.
- Dacă tava de sticlă sau ansamblul inel-platou rotativ se fisurează sau se sparge, contactați cel mai apropiat centru de service autorizat.

INSTALAREA PRODUSULUI

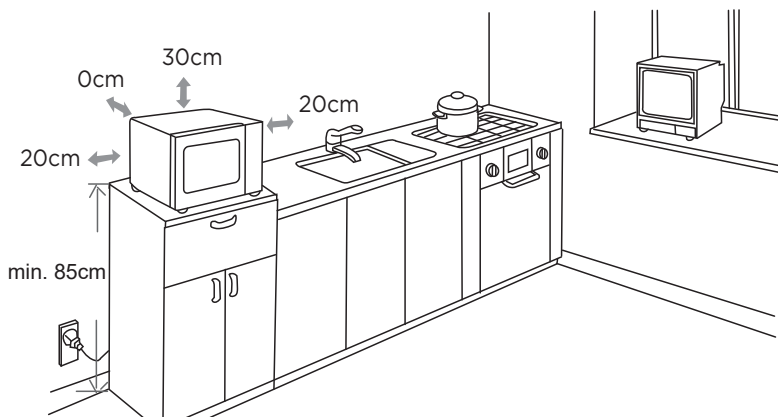
Instalarea blatului

Scoateți toate materialele de ambalare și accesoriile. Examinați cuptorul pentru orice daune, cum ar fi lovituri sau uși sparte. Nu instalați dacă cuptorul este deteriorat.

Dulap: Îndepărtați orice peliculă protectoare care se găsește pe suprafața dulapului cuptorului cu microunde. Nu îndepărtați capacul ghidului de undă care este atașat la cavitatea cuptorului pentru a proteja magnetronul.

Instalare

1. Selectați o suprafață plană care să ofere suficient spațiu liber pentru orificiile de admisie și/sau de evacuare.



- Înălțimea minimă de instalare este de 85 cm.
 - Aparatul trebuie amplasat cu spatele la perete. Păstrați o distanță minimă de 30 cm deasupra cuptorului. Între cuptor și orice perete adiacent este necesară păstrarea unei distanțe minime de 20 cm.
 - Nu îndepărtați picioarele de pe fundul cuptorului.
 - Blocarea orificiilor de admisie și/sau de evacuare poate cauza deteriorarea cuptorului.
 - Amplasați cuptorul cât mai departe de aparate radio și televizoare. Funcționarea cuptorului cu microunde poate cauza interferențe la recepția radio sau TV.
2. Conectați cuptorul dvs. la o priză standard de uz casnic. Asigurați-vă că tensiunea și frecvența sunt identice cu tensiunea și frecvența de pe eticheta nominală.

⚠️ AVERTISMENT

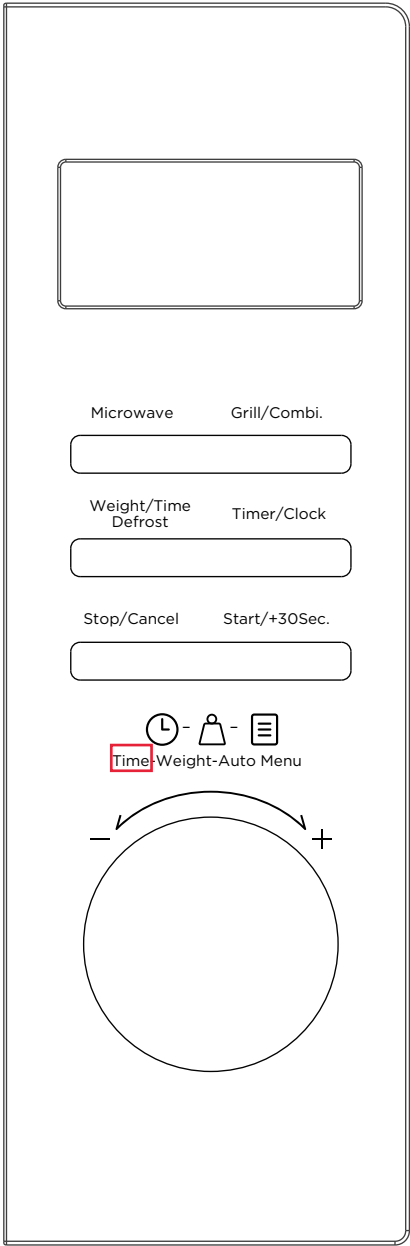
Nu instalați cuptorul deasupra unui aragaz sau a unui alt aparat care produce căldură. Dacă este instalat în apropierea sau deasupra unei surse de căldură, cuptorul ar putea fi deteriorat și garanția ar fi anulată.

Suprafața accesibilă poate fi fierbinte în timpul funcționării.



INSTRUCȚIUNI DE OPERARE

RO



Setarea ceasului

1. Apăsați "Timer/Clock " de două ori și apoi se va afișa "00:00".
2. Rotiți butonul pentru a seta cifrele orelor. Timpul trebuie să fie cuprins între 0-23.
3. Apăsați " Timer/Clock " pentru a confirma.
4. Rotiți butonul pentru a seta cifrele minutelor. Timpul ar trebui să fie între 0-59.
5. Apăsați " Timer/Clock " pentru a confirma. Ceasul este setat.

NOTĂ

- Ceasul are un afișaj de 24 de ore. Dacă ceasul nu este setat, acesta nu va funcționa atunci când este alimentat.
- Pentru a reseta ceasul, repetați pașii de la 1 la 5.
- După pasul 4, dacă nu se apasă " Timer/Clock " sau dacă nu se efectuează nicio operațiune în decurs de 1 minut,
- setarea nu este valabilă.

Setarea cronometrului de bucătărie

1. Apăsați " Timer/Clock " o dată și apoi se va afișa "0:00".
2. Rotiți butonul pentru a seta timpul dorit. Valoarea maximă a timpului este "95:00".
3. Apăsați " Start/+30Sec. " pentru a confirma. Cronometrul începe numărătoarea inversă.

NOTĂ

Orice alt program nu poate fi setat în timpul cronometrului de bucătărie.

Gătire cu microunde

Nivelul de putere

Sunt disponibile 5 niveluri de putere.

Nivelul de putere	Afișaj
100%	P100
80%	P80
50%	P50
30%	P30
10%	P10

1. Apăsați " Microwave " o dată și apoi se va afișa "P100".
2. Apăsați " Microwave " în mod repetat sau rotiți butonul pentru a seta nivelul de putere. Sunt disponibile 5 niveluri de putere.
3. Apăsați " Start/+30Sec. " pentru a confirma.
4. Rotiți butonul pentru a regla timpul de gătire. Valoarea maximă a timpului este "95:00".
5. Apăsați " Start/+30Sec. " pentru a începe gătitul.

NOTĂ

Deschiderea ușii cuptorului sau apăsarea " Stop/Cancel " în timpul funcționării va întrerupe modul curent.

Gătitul la grătar

1. Apăsați " Grill/Combi. " o dată și apoi se va afișa "G-1".
2. Apăsați " Start/+30Sec. " pentru a confirma.
3. Rotiți butonul pentru a seta timpul de gătire. Valoarea maximă a timpului este "95:00".
4. Apăsați " Start/+30Sec. " pentru a începe gătitul.

NOTĂ

Când a trecut jumătate din timp, se va auzi un semnal sonor pentru a vă reaminti să întoarceți mâncarea. Dacă nu se efectuează nicio operațiune, cuptorul va continua să funcționeze.

Gătit combinat

1. Apăsați " Grill/Combi. " de două sau trei ori și apoi se va afișa "C-1", "C-2".
2. Apăsați " Start/+30Sec. " pentru a confirma.
3. Rotiți butonul pentru a seta timpul de gătire. Valoarea maximă a timpului este "95:00".
4. Apăsați " Start/+30Sec. " pentru a începe gătitul.

Funcția	Afișaj	Puterea cuptorului cu microunde	Puterea grătarului
Combi. 1	C-1	55%	45%
Combi. 2	C-2	36%	64%

Dezghețare în funcție de greutate

1. Apăsați " $\frac{\text{Weight/Time}}{\text{Defrost}}$ " o dată și apoi ecranul va afișa "dEF1".
2. Rotiți butonul pentru a seta greutatea alimentelor. Intervalul de greutate este de 100-2000 g.
3. Apăsați " Start/+30Sec. " pentru a începe dezghețarea.

NOTĂ

Soneria va suna pentru a vă reaminti să întoarceți alimentele în timpul dezghețării. Dacă nu se efectuează nicio operațiune, cuptorul va continua să funcționeze.

Dezghețare în funcție de timp

1. Apăsați " $\frac{\text{Weight/Time}}{\text{Defrost}}$ " de două ori și apoi pe ecran se va afișa "dEF2".
2. Rotiți butonul pentru a seta timpul de dezghețare dorit. Valoarea maximă a timpului este "95:00".
3. Apăsați " Start/+30Sec. " pentru a începe dezghețarea.

● NOTĂ

- Când a trecut jumătate din timp, se va auzi un semnal sonor pentru a vă reaminti să întoarceți mâncarea. Dacă nu se efectuează nicio operațiune, cuptorul va continua să funcționeze.
- Puterea de dezghețare este P30 și nu poate fi schimbată.

Gătit în mai multe etape

● NOTE

- Pot fi setate două etape de gătit în cazul gătitului în mai multe etape.
- Dacă setați funcția de dezghețare, aceasta va funcționa automat în prima etapă.
- Cronometrul bucătăriei, Meniul automat nu pot fi setate ca una dintre cele mai multe etape.

Exemplu: Dezghețați alimentele timp de 5 minute și apoi gătiți-le la o putere de 80% din puterea cuptorului cu microunde timp de 7 minute.

1. Apăsăți " Weight/Time " de două ori și apoi pe ecran se va afișa "dEF2".
Defrost
2. Rotiți butonul pentru a seta timpul de dezghețare dorit de 5 minute.
3. Apăsăți " Microwave " și apoi se va afișa "P100".
4. Rotiți butonul pentru a seta nivelul de putere al P80. Și apoi apăsați "Start/+30Sec." pentru a confirma.
5. Rotiți butonul pentru a seta timpul de gătit de 7 minute.
6. Apăsăți " Start/+30Sec." pentru a începe gătitul.

RO

Gătire rapidă

1. În modul de așteptare, apăsați " Start/+30Sec. " pentru a găti alimentele cu un nivel de putere de 100% timp de 30 de secunde. Fiecare apăsare pe aceeași tastă poate crește cu 30 de secunde, iar valoarea maximă a timpului este de 95 de minute.
2. În modul de așteptare, rotiți butonul spre stânga pentru a seta un timp de gătit cu o putere de 100%. Apoi continuați să rotiți butonul pentru a regla timpul de gătit. Valoarea maximă a timpului este de 95 de minute. Apăsăți " Start/+30Sec. " pentru a începe gătitul.

Funcția de blocare pentru copii

Puteți utiliza această funcție pentru a împiedica copiii să pornească accidental cuptorul. Pentru a activa blocarea:

În modul de așteptare, apăsați și mențineți apăsat " Stop/Cancel " timp de trei secunde. Se aude un semnal sonor și se afișează " [_ _] ".

Pentru a dezactiva blocarea:

În stare blocată, apăsați și mențineți apăsat " Stop/Cancel " timp de trei secunde. Se aude un semnal sonor.

Funcția de interogare

1. Dacă ceasul a fost setat, ora curentă va fi afișată timp de trei secunde dacă apăsați "Timer/Clock " în starea de gătit.
2. În starea de gătire cu microunde, apăsați " Microwave " pentru a întreba nivelul de putere. Se va afișa timp de trei secunde. În starea de grătar și în starea de gătit combinat, se poate face o interogare apăsând " Grill/Combi. ".

Meniu automat

1. Întoarceți butonul spre dreapta, iar apoi "A-1" va clipi.
2. Continuați să rotiți butonul pentru a alege meniul de care aveți nevoie. Sunt disponibile 8 meniuri automate.
3. Apăsați " Start/+30Sec. " pentru a confirma.
4. Rotiți butonul pentru a seta greutatea alimentelor.
5. Apăsați " Start/+30Sec. " pentru a începe gătitul.

NOTE

- Deschiderea ușii cuptorului sau apăsarea " Start/+30Sec. " în timpul funcționării va întrerupe modul curent.
- Este necesar să rotiți mai întâi butonul spre dreapta în modul standby pentru a selecta "Auto Menu". Dacă rotiți mai întâi butonul spre stânga, veți introduce timpul de gătire a gătitului rapid.

Diagrama meniului:

Meniul	Greutate	Afișaj	Putere
A-1 Reîncălzire automată	200 g	200	P100
	400 g	400	
	600 g	600	
A-2 Legume	200 g	200	P100
	300 g	300	
	450 g	450	
A-3 Pește	150 g	150	C-2
	300 g	300	
	450 g	450	
A-4 Carne	200 g	200	C-2
	300 g	300	
	500 g	500	
A-5 Paste	50 g (cu 450 g de apă rece)	50	P80
	100 g (cu 800 g de apă rece)	100	
A-6 Cartofi	1(230 g)	1	P100
	2	2	
	3	3	
A-7 Pizza	200 g	200	P100
	400 g	400	
A-8 Orez	200 g	200	P100+P50
	400 g	400	

RO

CURĂȚARE ȘI ÎNTREȚINERE

Asigurați-vă că ați deconectat aparatul de la sursa de alimentare.

- Curățați cavitatea cuptorului după utilizare cu o cârpă ușor umedă.
- Curățați accesoriile în mod obișnuit cu apă cu săpun.
- Cadrul și garnitura ușii, precum și piesele învecinate trebuie curățate cu grijă cu o cârpă umedă atunci când sunt murdare.
- Nu folosiți detergenți abrazivi puternici sau raclete metalice ascuțite pentru a curăța sticla ușii cuptorului, deoarece acestea pot zgâria suprafața, ceea ce poate duce la spargerea sticlei.
- Sfat de curățare---Pentru o curățare mai ușoară a pereților cavității pe care îi poate atinge mâncarea gătită: Puneți o jumătate de lămâie într-un castron, adăugați 300 ml (1/2 halbă) de apă și încălziți-o la 100% din puterea cuptorului cu microunde timp de 10 minute. Ștergeți cuptorul cu o cârpă moale și uscată.

DEPANARE


Normal

Cuptorul cu microunde interferează cu recepția TV	Recepția radio și TV poate fi perturbată în timpul funcționării cuptorului cu microunde. Este similar cu interferența aparatelor electrice mici, cum ar fi mixerul, aspiratorul și ventilatorul electric. Este normal.
Reduceți lumina cuptorului	În cazul gătitului cu microunde de putere redusă, lumina cuptorului poate deveni slabă. Este normal.
Se acumulează abur pe ușa, aer cald din orificii de ventilație	În timpul gătitului, aburul poate ieși din alimente. Cele mai multe vor ieși prin guri de aerisire. Dar unele se pot acumula în locuri reci, cum ar fi ușa cuptorului. Este normal.
Cuptorul a pornit accidental, fără alimente înăuntru.	Este interzisă funcționarea unității fără alimente în interior. Este foarte periculos.

Probleme	Cauza posibilă	Remediu
Cuptorul nu poate fi pornit.	<ul style="list-style-type: none">Cablul de alimentare nu este conectat bine.	<ul style="list-style-type: none">Deconectați. Apoi conectați din nou după 10 secunde.
	<ul style="list-style-type: none">Fuzibilul siguranței se arde sau disjunctorul se declanșează.	<ul style="list-style-type: none">Înlocuiți siguranța sau reseați întrerupătorul de circuit (reparat de personalul profesionist al companiei noastre)
	<ul style="list-style-type: none">Probleme cu priza.	<ul style="list-style-type: none">Testați priza cu alte aparate electrice.
Cuptorul nu se încălzește.	<ul style="list-style-type: none">Ușa nu este închisă bine.	<ul style="list-style-type: none">Închideți bine ușa.

RO

MĂRCI COMERCIALE, DREPTURI DE AUTOR ȘI DECLARAȚIE JURIDICĂ

 Midea Sigla, mărcile verbale, denumirea comercială, întreaga imagine comercială și toate versiunile acestora constituie active valoroase ale grupului Midea și/sau ale companiilor afiliate acestuia („Midea”), în cadrul căruia Midea deține mărci comerciale, drepturi de autor și alte drepturi de proprietate intelectuală și întregul fond comercial generat de utilizarea oricărei părți a unei mărci comerciale Midea. Utilizarea mărcii comerciale Midea în scopuri comerciale fără acordul prealabil în scris al Midea poate constitui încălcarea mărcii comerciale sau concurență neloială ce încalcă legislația relevantă.

Acest manual este creat de Midea și Midea își rezervă toate drepturile de autor ale acestuia. Nicio entitate sau individ nu are voie să utilizeze, să reproducă, să modifice, să distribuie în întregime sau parțial sau să grupeze sau să vândă împreună cu alte produse acest manual fără acordul prealabil în scris al Midea.

RO

Toate funcțiile și instrucțiunile descrise au fost actuale la momentul tipării acestui manual. Totuși, produsul propriu-zis poate să difere din cauza funcțiilor și design-urilor îmbunătățite.

ELIMINAREA ȘI RECICLAREA

Instrucțiuni importante pentru mediu

Conformitatea cu directiva DEEE și eliminarea produsului ca deșeu:

Acest produs este conform cu Directiva DEEE (2012/19/UE). Acest produs poartă simbolul de clasificare pentru deșeurile de echipamente electrice și electronice (DEEE).

Acest simbol indică faptul că acest produs nu va fi eliminat împreună cu alte deșeurile menajere la sfârșitul duratei sale de viață. Dispozitivul utilizat trebuie predat în punctul de colectare oficial pentru reciclarea dispozitivelor electrice și electronice. Pentru găsirea acestor sisteme de colectare, contactați autoritățile dvs. locale sau distribuitorul cu amănuntul de unde ați achiziționat produsul. Fiecare gospodărie joacă un rol important în recuperarea și reciclarea aparatului vechi. Eliminarea adecvată a aparatului utilizat ajută la prevenirea consecințelor negative potențiale asupra mediului și sănătății umane.



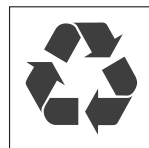
RO

Conformitatea cu Directiva RoHS

Produsul pe care l-ați achiziționat este conform cu Directiva UE RoHS (2011/65/UE). Acesta nu conține materiale dăunătoare sau interzise specificate în directivă.

Informații privind ambalajul

Materialele de ambalare ale produsului sunt produse din materiale reciclabile în conformitate cu Reglementările noastre naționale privind protecția mediului. Nu eliminați materialele de ambalare împreună cu deșeurile menajere sau cu alte deșeurile. Duceți-le în puncte desemnate de colectare a materialelor de ambalare, desemnate de autoritățile locale.



NOTĂ PRIVIND PROTECȚIA DATELOR

Pentru furnizarea serviciilor convenite cu clientul, suntem de acord să ne conformăm fără restricții tuturor dispozițiilor legislației aplicabile privind protecția datelor, în conformitate cu statele convenite în care serviciile vor fi furnizate clientului, precum și, după caz, cu Regulamentul General privind Protecția Datelor al UE (RGPD).

În general, procesarea datelor noastre este pentru a ne îndeplini obligațiile contractuale față de dumneavoastră și din motive de siguranță a produselor, pentru a vă proteja drepturile în legătură cu întrebările privind garanția și înregistrarea produselor. În anumite cazuri, însă numai dacă se asigură o protecție adecvată a datelor, datele cu caracter personal ar putea fi transferate către destinatari din afara Spațiului Economic european.

RO

Informații suplimentare se furnizează la cerere. Puteți contacta responsabilul nostru pentru protecția datelor la **MideaDPO@midea.com**. Pentru exercitarea drepturilor dvs. precum dreptul de a vă opune procesării datelor dvs. cu caracter personal în scopuri de marketing direct, vă rugăm să ne contactați prin **MideaDPO@midea.com**. Pentru a găsi mai multe informații, vă rugăm să urmați codul QR.

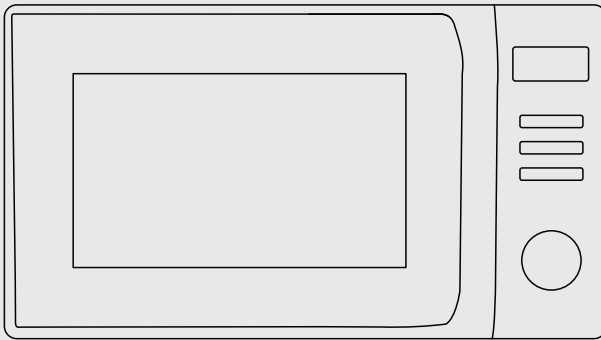


make yourself at home



www.midea.com

© Midea 2024 all rights reserved



ΕΛ

ΦΟΥΡΝΟΣ ΜΙΚΡΟΚΥΜΑΤΩΝ

ΕΓΧΕΙΡΙΔΙΟ ΧΡΗΣΤΗ

AG20CF2E
AG20CF2EBK

Προειδοποιήσεις: Προτού χρησιμοποιήσετε αυτό το προϊόν, διαβάστε προσεκτικά αυτό το εγχειρίδιο και κρατήστε το για μελλοντική αναφορά. Ο σχεδιασμός και οι προδιαγραφές υπόκεινται σε αλλαγές χωρίς προειδοποίηση για λόγους βελτίωσης του προϊόντος. Συμβουλευτείτε τον διανομέα σας ή τον κατασκευαστή για λεπτομέρειες. Το παραπάνω διάγραμμα προορίζεται μόνο για σκοπούς αναφοράς. Λάβετε την εμφάνιση του πραγματικού προϊόντος ως πρότυπο.

ΕΥΧΑΡΙΣΤΙΕΣ

Σας ευχαριστούμε που επιλέξατε την Midea! Προτού χρησιμοποιήσετε το νέο σας προϊόν της Midea, διαβάστε προσεκτικά αυτό το εγχειρίδιο για να βεβαιωθείτε ότι γνωρίζετε πώς να χειρίζεστε τις δυνατότητες και τις λειτουργίες που προσφέρει η νέα σας συσκευή με ασφάλεια.

ΠΕΡΙΕΧΟΜΕΝΑ

ΕΥΧΑΡΙΣΤΙΕΣ	EL-01
ΟΔΗΓΙΕΣ ΑΣΦΑΛΕΙΑΣ	EL-02
ΠΡΟΔΙΑΓΡΑΦΕΣ	EL-12
ΕΠΙΣΚΟΠΗΣΗ ΠΡΟΪΟΝΤΟΣ	EL-13
ΕΓΚΑΤΑΣΤΑΣΗ ΠΡΟΪΟΝΤΟΣ	EL-15
ΟΔΗΓΙΕΣ ΛΕΙΤΟΥΡΓΙΑΣ	EL-16
ΚΑΘΑΡΙΣΜΟΣ ΚΑΙ ΣΥΝΤΗΡΗΣΗ	EL-22
ΑΝΤΙΜΕΤΩΠΙΣΗ ΠΡΟΒΛΗΜΑΤΩΝ	EL-23
ΕΜΠΟΡΙΚΑ ΣΗΜΑΤΑ, ΠΝΕΥΜΑΤΙΚΑ ΔΙΚΑΙΩΜΑΤΑ ΚΑΙ ΝΟΜΙΚΗ ΔΗΛΩΣΗ	EL-24
ΑΠΟΡΡΙΨΗ ΚΑΙ ΑΝΑΚΥΚΛΩΣΗ	EL-25
ΕΙΔΟΠΟΙΗΣΗ ΓΙΑ ΤΗΝ ΠΡΟΣΤΑΣΙΑ ΤΩΝ ΔΕΔΟΜΕΝΩΝ	EL-26

ΟΔΗΓΙΕΣ ΑΣΦΑΛΕΙΑΣ

Προβλεπόμενη χρήση

Οι ακόλουθες οδηγίες ασφαλείας έχουν ως στόχο να αποτρέψουν απρόβλεπτους κινδύνους ή ζημιές από μη ασφαλή ή λανθασμένη λειτουργία της συσκευής. Ελέγξτε τη συσκευασία και τη συσκευή κατά την παραλαβή της για να βεβαιωθείτε ότι όλα είναι άθικτα, ώστε να διασφαλίσετε την ασφαλή λειτουργία. Εάν διαπιστώσετε οποιαδήποτε ζημιά, επικοινωνήστε με τον έμπορο λιανικής ή τον αντιπρόσωπο. Σημειώστε ότι δεν επιτρέπονται τροποποιήσεις ή μετατροπές στη συσκευή για λόγους ασφαλείας. Η ακούσια χρήση μπορεί να προκαλέσει κινδύνους και απώλεια αξιώσεων εγγύησης.

Επεξήγηση συμβόλων



Κίνδυνος

Αυτό το σύμβολο υποδεικνύει ότι υπάρχουν κίνδυνοι για τη ζωή και την υγεία των ατόμων λόγω εξαιρετικά εύφλεκτου αερίου.



Προειδοποίηση για την ηλεκτρική τάση

Αυτό το σύμβολο υποδεικνύει ότι υπάρχει κίνδυνος για τη ζωή και την υγεία των ατόμων λόγω τάσης.



Προειδοποίηση

Η ένδειξη υποδηλώνει μεσαίο επίπεδο κινδύνου που, εάν δεν αποφευχθεί, ενδέχεται να οδηγήσει σε θάνατο ή σοβαρό τραυματισμό.



Προσοχή

Η ενδεικτική λέξη υποδηλώνει χαμηλό επίπεδο κινδύνου που, εάν δεν αποφευχθεί, ενδέχεται να οδηγήσει σε μικρό ή μέτριο τραυματισμό.



Προειδοποίηση

Η ενδεικτική λέξη υποδηλώνει σημαντικές πληροφορίες (π.χ. ζημιά σε περιουσιακά στοιχεία), αλλά όχι κίνδυνο.



Τηρείτε τις οδηγίες

Αυτό το σύμβολο υποδεικνύει ότι ο χειρισμός και η συντήρηση της συσκευής πρέπει να εκτελείται από τεχνικό σέρβις μόνο σύμφωνα με τις οδηγίες λειτουργίας.

Διαβάστε προσεκτικά και με προσοχή τις παρούσες οδηγίες λειτουργίας πριν από τη χρήση/λειτουργία της συσκευής και φυλάξτε τις σε κοντά στον χώρο εγκατάστασης ή τη μονάδα για μελλοντική χρήση!

Προφυλάξεις για να αποφύγετε πιθανή έκθεση σε υπερβολική ενέργεια μικροκυμάτων

- a. Μην προσπαθήσετε να χρησιμοποιήσετε τον φούρνο με την πόρτα ανοικτή, καθώς αυτό μπορεί να προκαλέσει επιβλαβή έκθεση στην ενέργεια των μικροκυμάτων. Είναι σημαντικό να μην σπάσετε ή παραποιήσετε τα κλειδώματα ασφαλείας.
- b. Μην τοποθετείτε αντικείμενα ανάμεσα στην πρόσοψη του φούρνου και την πόρτα και μην αφήνετε να συσσωρεύονται ακαθαρσίες ή υπολείμματα καθαριστικού στις επιφάνειες σφραγίσματος.
- c. ΠΡΟΕΙΔΟΠΟΙΗΣΗ: Εάν η πόρτα ή τα στεγανωτικά υλικά της πόρτας έχουν υποστεί φθορά, μην χρησιμοποιείτε τον φούρνο, μέχρι να επισκευαστεί από ειδικευμένο άτομο.

Προσθήκη

Εάν η συσκευή δεν διατηρείται καθαρή, η επιφάνειά της μπορεί να υποβαθμιστεί και να επηρεάσει τη διάρκεια ζωής της, οδηγώντας σε πιθανώς επικίνδυνη κατάσταση.

▲ ΠΡΟΕΙΔΟΠΟΪΣΗ

Για τη μείωση του κινδύνου πυρκαγιάς, ηλεκτροπληξίας, τραυματισμών ή έκθεσης σε υπερβολική ενέργεια μικροκυμάτων, ακολουθείτε τις βασικές προφυλάξεις κατά τη χρήση της συσκευής σας, συμπεριλαμβανομένων των παρακάτω:

- Διαβάστε και ακολουθήστε την ενότητα: «ΠΡΟΦΥΛΑΞΕΙΣ ΓΙΑ ΤΗΝ ΑΠΟΦΥΓΗ ΤΗΣ ΠΙΘΑΝΗΣ ΕΚΘΕΣΗΣ ΣΕ ΥΠΕΡΒΟΛΙΚΗ ΕΝΕΡΓΕΙΑ ΜΙΚΡΟΚΥΜΑΤΩΝ».
- Αυτή η συσκευή μπορεί να χρησιμοποιηθεί από παιδιά ηλικίας από 8 ετών και άνω και από άτομα με μειωμένες σωματικές, αισθητήριες ή διανοητικές ικανότητες ή έλλειψη εμπειρίας και γνώσης, εφόσον υπάρχει επίβλεψη ή τους έχουν δοθεί οδηγίες σχετικά με τη χρήση της συσκευής με ασφαλή τρόπο και κατανοούν τους κινδύνους που εμπλέκονται. Τα παιδιά δεν πρέπει να παίζουν με τη συσκευή. Ο καθαρισμός και η συντήρηση της συσκευής δεν πρέπει να πραγματοποιούνται από παιδιά χωρίς επίβλεψη.
- Διατηρείτε τη συσκευή και το καλώδιό της μακριά από παιδιά μικρότερα των 8 ετών.
- Σε περίπτωση φθοράς του καλωδίου τροφοδοσίας, απευθυνθείτε στον κατασκευαστή ή σε έναν ειδικευμένο τεχνικό για την αντικατάστασή του.
- ΠΡΟΕΙΔΟΠΟΙΗΣΗ: Βεβαιωθείτε ότι η συσκευή είναι απενεργοποιημένη πριν αντικαταστήσετε τη λάμπα, για την αποφυγή της πιθανότητας ηλεκτροπληξίας.

- ΠΡΟΕΙΔΟΠΟΙΗΣΗ: Η πραγματοποίηση εργασιών σέρβις ή επισκευής είναι επικίνδυνη από μη ειδικευμένα άτομα, συμπεριλαμβανομένης της αφαίρεσης του καλύμματος που παρέχει προστασία από την έκθεση στην ενέργεια μικροκυμάτων.
- ΠΡΟΕΙΔΟΠΟΙΗΣΗ: Τα υγρά και λοιπά τρόφιμα δεν πρέπει να θερμαίνονται σε σφραγισμένα δοχεία, αφού υπάρχει κίνδυνος έκρηξης.
- Κατά τη θέρμανση φαγητού σε πλαστικά ή χάρτινα δοχεία, προσέχετε τον φούρνο, λόγω της πιθανότητας ανάφλεξης.
- Χρησιμοποιείτε μόνο σκεύη κατάλληλα για χρήση σε φούρνους μικροκυμάτων.
- Σε περίπτωση εκπομπής καπνού, απενεργοποιήστε ή αποσυνδέστε από την πρίζα τη συσκευή και διατηρήστε την πόρτα κλειστή, για να κατασταλούν τυχόν φλόγες.
- Η θέρμανση ροφημάτων σε φούρνο μικροκυμάτων μπορεί να προκαλέσει καθυστερημένη βράση, γι' αυτό θα πρέπει να προσέχετε κατά τον χειρισμό του δοχείου.
- Το περιεχόμενο μπιμπερό και βάζων βρεφικής τροφής πρέπει να αναδεύεται ή να ανακινείται, καθώς και να ελέγχεται η θερμοκρασία του πριν την κατανάλωση, για την αποφυγή εγκαυμάτων.
- Αυγά μέσα στο τσόφλι τους και ολόκληρα βραστά αυγά δεν πρέπει να θερμαίνονται σε φούρνους μικροκυμάτων, αφού υπάρχει κίνδυνος έκρηξης, ακόμη και μετά την ολοκλήρωση της θέρμανσής τους.
- Ο φούρνος πρέπει να καθαρίζεται τακτικά, αφαιρώντας τυχόν υπολείμματα τροφίμων.

- Εάν ο φούρνος δεν διατηρείται καθαρός, η επιφάνειά του μπορεί να υποστεί φθορά, επηρεάζοντας αρνητικά τη διάρκεια ζωής της συσκευής και οδηγώντας πιθανώς σε επικίνδυνες συνθήκες.
- Η συσκευή δεν πρέπει να τοποθετείται πίσω από πόρτες ντουλαπιών, για την αποφυγή υπερθέρμανσης. (Αυτό δεν ισχύει για συσκευές που διαθέτουν πόρτα ντουλαπιού)
- Χρησιμοποιείτε μόνο τον αισθητήρα θερμοκρασίας που συνιστάται για τον συγκεκριμένο φούρνο. (για φούρνους που διαθέτουν εγκατάσταση για τη χρήση αισθητήρα θερμοκρασίας.)
- Ο φούρνος μικροκυμάτων δεν πρέπει να τοποθετείται σε ντουλάπι, εκτός εάν έχει δοκιμαστεί σε ντουλάπι.
- Ο φούρνος μικροκυμάτων πρέπει να χρησιμοποιείται με ανοικτή τη διακοσμητική πόρτα. (για φούρνους με διακοσμητική πόρτα)
- Η παρούσα συσκευή προορίζεται για οικιακή χρήση και παρόμοιες εφαρμογές, όπως:
 - προσωπικό κουζίνας σε καταστήματα, γραφεία και άλλα επαγγελματικά περιβάλλοντα,
 - χρήση από πελάτες σε ξενοδοχεία, μοτέλ, πανσιόν και άλλα περιβάλλοντα οικιακού τύπου,
 - αγροικίες,
 - πανσιόν.
- Ο φούρνος μικροκυμάτων παρέχεται για τη θέρμανση τροφίμων και ροφημάτων. Η αποξήρανση τροφίμων ή το στέγνωμα ρούχων και η θέρμανση θερμοφόρων, παντοφλών, σφουγγαριών, υγρών πανιών και παρόμοιων αντικειμένων μπορεί να προκαλέσει κίνδυνο τραυματισμού, ανάφλεξης ή φωτιάς.
- Δεν επιτρέπεται η τοποθέτηση μεταλλικών δοχείων τροφίμων και ροφημάτων στον φούρνο μικροκυμάτων.
- Μην καθαρίζετε τη συσκευή με καθαριστή ατμού.

- Η συσκευή προορίζεται για χρήση χωρίς εντοιχισμό.
- Η πίσω επιφάνεια της συσκευής πρέπει να τοποθετηθεί σε τοίχο.
- Οι συσκευές δεν προορίζονται για λειτουργία μέσω εξωτερικού χρονοδιακόπτη ή ξεχωριστού συστήματος τηλεχειρισμού.
- Οι επιφάνειες της συσκευής μπορεί να θερμανθούν πολύ κατά τη λειτουργία της.
- ΠΡΟΕΙΔΟΠΟΙΗΣΗ: Όταν η συσκευή λειτουργεί στη λειτουργία συνδυασμού, τα παιδιά πρέπει να χρησιμοποιούν τον φούρνο μόνο υπό την επίβλεψη ενηλίκων λόγω των θερμοκρασιών που δημιουργούνται.

ΔΙΑΒΑΣΤΕ ΠΡΟΣΕΚΤΙΚΑ ΚΑΙ ΦΥΛΑΞΤΕ ΤΙΣ ΟΔΗΓΙΕΣ ΓΙΑ ΜΕΛΛΟΝΤΙΚΗ ΧΡΗΣΗ

Για μείωση κινδύνου τραυματισμού Εγκατάσταση γείωσης

⚠ ΚΙΝΔΥΝΟΣ

Κίνδυνος ηλεκτροπληξίας

Η επαφή με ορισμένα από τα εσωτερικά εξαρτήματα μπορεί να προκαλέσει σοβαρό τραυματισμό ή θάνατο. Μην αποσυναρμολογείτε τη συσκευή.

⚠ ΠΡΟΕΙΔΟΠΟΪΣΗ

Κίνδυνος ηλεκτροπληξίας

Η ακατάλληλη χρήση της γείωσης μπορεί να οδηγήσει σε ηλεκτροπληξία. Μην συνδέετε τη συσκευή στην πρίζα μέχρι να εγκατασταθεί και να γειωθεί σωστά.

Αυτή η συσκευή πρέπει να είναι γειωμένη. Σε περίπτωση ηλεκτρικού βραχυκυκλώματος, η γείωση μειώνει τον κίνδυνο ηλεκτροπληξίας, παρέχοντας έναν αγωγό διαφυγής ρεύματος. Η συσκευή περιλαμβάνει ένα καλώδιο με αγωγό γείωσης και βύσμα γείωσης. Το βύσμα πρέπει να συνδέεται σε πρίζα που είναι κατάλληλα εγκατεστημένη και γειωμένη.

Συμβουλευτείτε έναν ειδικευμένο ηλεκτρολόγο ή τεχνικό, εάν οι οδηγίες γείωσης δεν είναι πλήρως κατανοητές ή εάν έχετε αμφιβολίες σχετικά με την ορθή γείωση της συσκευής.

Εάν είναι απαραίτητη η χρήση καλωδίου προέκτασης, χρησιμοποιείτε μόνο καλώδια προέκτασης 3 συρμάτων.

- Παρέχεται καλώδιο τροφοδοσίας μικρού μεγέθους για τη μείωση των κινδύνων που προκύπτουν σε περίπτωση σκοντάμματος ή παραπατήματος σε μεγαλύτερο καλώδιο.
- Εάν χρησιμοποιείται μακρύ καλώδιο ή καλώδιο προέκτασης:
 - Το ονομαστικό ρεύμα του καλωδίου ή του καλωδίου προέκτασης πρέπει να είναι τουλάχιστον ίσο με το ονομαστικό ρεύμα της συσκευής.
 - Το καλώδιο προέκτασης πρέπει να είναι καλώδιο 3 συρμάτων τύπου γείωσης.

- Το μακρύ καλώδιο πρέπει να τοποθετείται με τρόπο που να μην εφάπτεται στον πάγκο ή την επιφάνεια του τραπεζιού, σε σημείο που θα μπορεί να παρασυρθεί από παιδιά ή να προκαλέσει τυχαίο παραπάτημα.

Σκεύη

⚠ ΠΡΟΣΕΚΤΙΚΟΣ

Κίνδυνος τραυματισμού

Η πραγματοποίηση εργασιών σέρβις ή επισκευής είναι επικίνδυνη από μη ειδικευμένα άτομα, συμπεριλαμβανομένης της αφαίρεσης του καλύμματος που παρέχει προστασία από την έκθεση στην ενέργεια μικροκυμάτων. Δείτε τις οδηγίες στην ενότητα "Υλικά που μπορούν να χρησιμοποιηθούν στον φούρνο μικροκυμάτων και υλικά που πρέπει να αποφεύγονται στον φούρνο μικροκυμάτων." Ορισμένα μη μεταλλικά μαγειρικά σκεύη ενδέχεται να μην είναι ασφαλή για χρήση σε φούρνο μικροκυμάτων. Εάν αμφιβάλλετε, μπορείτε να δοκιμάσετε το συγκεκριμένο σκεύος ακολουθώντας την παρακάτω διαδικασία.

EL

Δοκιμή σκεύους:

- Γεμίστε ένα ασφαλές για φούρνο μικροκυμάτων δοχείο με 1 κούπα κρύο νερό (250 ml) καθώς και το συγκεκριμένο σκεύος.
- Ενεργοποιήστε τον φούρνο σε μέγιστη ισχύ για 1 λεπτό.
- Αγγίξτε προσεκτικά το σκεύος. Εάν το κενό σκεύος είναι ζεστό, μην το χρησιμοποιείτε στον φούρνο μικροκυμάτων.
- Μην υπερβαίνετε τον χρόνο θέρμανσης 1 λεπτού.

Υλικά που μπορούν να χρησιμοποιηθούν στον φούρνο μικροκυμάτων

Σκεύη	Παρατηρήσεις
Ταψί	Ακολουθήστε τις οδηγίες του κατασκευαστή. Η βάση του ταψιού πρέπει να απέχει τουλάχιστον 5 mm (3/16 ίντσες) από τον περιστρεφόμενο δίσκο. Η λανθασμένη χρήση μπορεί να προκαλέσει θραύση του περιστρεφόμενου δίσκου.
Σερβίτσια	Μόνο όσα είναι κατάλληλα για χρήση σε φούρνο μικροκυμάτων. Ακολουθήστε τις οδηγίες του κατασκευαστή. Μην χρησιμοποιείτε ραγισμένα ή ξεφλουδισμένα πιάτα.
Γυάλινα βάζα	Αφαιρείτε πάντα το πώμα. Χρησιμοποιείτε τα μόνο για θέρμανση του φαγητού μέχρι να ζεσταθεί ελαφρώς. Τα περισσότερα γυάλινα βάζα δεν είναι ανθεκτικά στη θερμότητα και ενδέχεται να σπάσουν.
Γυαλικά	Χρησιμοποιείτε μόνο ανθεκτικά στη θερμότητα γυαλικά. Βεβαιωθείτε ότι δεν έχουν μεταλλικό περίγραμμα. Μην χρησιμοποιείτε ραγισμένα ή ξεφλουδισμένα πιάτα.
Σακούλες μαγειρικής στον φούρνο	Ακολουθήστε τις οδηγίες του κατασκευαστή. Μην τις κλείνετε με μεταλλικό δέσιμο. Δημιουργήστε οπές για να κυκλοφορεί ο ατμός.
Χάρτινα πιάτα και ποτήρια	Χρησιμοποιείτε τα μόνο για σύντομο μαγείρεμα/θέρμανση. Μην τα αφήνετε χωρίς επίβλεψη στον φούρνο.
Χαρτοπετσέτες	Χρησιμοποιήστε τις για να καλύπτετε τρόφιμα για αναθέρμανση και απορρόφηση του λίπους. Χρησιμοποιείτε τις μόνο με επίβλεψη και για σύντομο μαγείρεμα.
Λαδόκολλα	Χρησιμοποιείτε την ως κάλυμμα για να αποφύγετε τα πιτσιλίσματα ή για μαγείρεμα στον ατμό.
Πλαστικό	Μόνο όσα είναι κατάλληλα για χρήση σε φούρνο μικροκυμάτων. Ακολουθήστε τις οδηγίες του κατασκευαστή. Πρέπει να φέρουν την επισήμανση «Κατάλληλα για φούρνο μικροκυμάτων». Ορισμένα πλαστικά δοχεία ενδέχεται να μαλακώσουν, καθώς θερμαίνεται το φαγητό στο εσωτερικό τους. Σε «σακούλες βρασίματος» και αεροστεγείς πλαστικές σακούλες πρέπει να ανοίγονται οπές ή τρύπες, σύμφωνα με τις οδηγίες της συσκευασίας.
Πλαστική μεμβράνη	Μόνο όσα είναι κατάλληλα για χρήση σε φούρνο μικροκυμάτων. Χρησιμοποιείτε την για να καλύπτετε το φαγητό κατά τη διάρκεια του μαγειρέματος, ώστε να διατηρεί την υγρασία του. Μην αφήνετε την πλαστική μεμβράνη να έρχεται σε επαφή με το φαγητό.
Θερμόμετρα	Μόνο τα ασφαλή για χρήση σε φούρνο μικροκυμάτων (θερμόμετρα για κρέας και γλυκά).
Κηρόχαρτο	Χρησιμοποιείτε το ως κάλυμμα για να αποφύγετε τα πιτσιλίσματα και να διατηρείτε την υγρασία.

Υλικά που πρέπει να αποφεύγονται στον φούρνο μικροκυμάτων

Σκεύη	Παρατηρήσεις
Δίσκοι αλουμινίου	Ενδέχεται να προκληθεί τόξο. Μεταφέρετε το φαγητό σε ένα κατάλληλο για χρήση σε φούρνο μικροκυμάτων σκεύος.
Κουτί φαγητού με μεταλλική λαβή	Ενδέχεται να προκληθεί τόξο. Μεταφέρετε το φαγητό σε ένα κατάλληλο για χρήση σε φούρνο μικροκυμάτων σκεύος.
Σκεύη από μέταλλο ή σκεύη με μεταλλική επένδυση	Το μέταλλο προστατεύει το φαγητό από την ενέργεια των μικροκυμάτων. Το μεταλλικό χείλος μπορεί να προκαλέσει τόξο.
Μεταλλικά δεσίματα	Ενδέχεται να προκαλέσουν τόξο και φωτιά στον φούρνο.
Χαρτοσακούλες	Ενδέχεται να προκαλέσουν φωτιά στον φούρνο.
Φελιζόλ	Το φελιζόλ μπορεί να λιώσει ή να μολύνει τα υγρά στο εσωτερικό του, σε περίπτωση έκθεσης σε υψηλή θερμοκρασία.
Ξύλο	Το ξύλο στεγνώνει όταν χρησιμοποιείται σε φούρνο μικροκυμάτων και μπορεί να ραγίσει ή να σπάσει.

ΠΡΟΔΙΑΓΡΑΦΕΣ

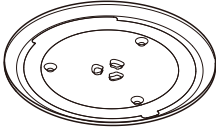
ΜΟΝΤΕΛΟ	AG20CF2E / AG20CF2EBK
ΟΝΟΜΑΣΤΙΚΗ ΤΑΣΗ	230V~
ΟΝΟΜΑΣΤΙΚΗ ΣΥΧΝΟΤΗΤΑ	50Hz
ΟΝΟΜΑΣΤΙΚΗ ΕΙΣΟΔΟΣ	1050W
ΟΝΟΜΑΣΤΙΚΗ ΙΣΧΥΣ (ΜΙΚΡΟΚΥΜΑΤΑ)	700W
ΟΝΟΜΑΣΤΙΚΗ ΕΙΣΟΔΟΣ (ΓΚΡΙΛ)	1000W

ΕΠΙΣΚΟΠΗΣΗ ΠΡΟΪΟΝΤΟΣ

Ονόματα εξαρτημάτων και αξεσουάρ φούρνου

(Σε περίπτωση διαφορών μεταξύ της συσκευής και των εικόνων στο παρόν εγχειρίδιο, υπερισχύει το προϊόν).

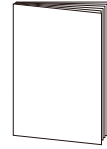
Αφαιρέστε τον φούρνο και όλα τα υλικά από το χαρτοκιβώτιο και το εσωτερικό του φούρνου. Ο φούρνος συνοδεύεται από τα παρακάτω εξαρτήματα:



Γυάλινος δίσκος



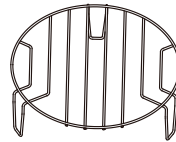
Διάταξη δακτυλίου
περιστρεφόμενου δίσκου



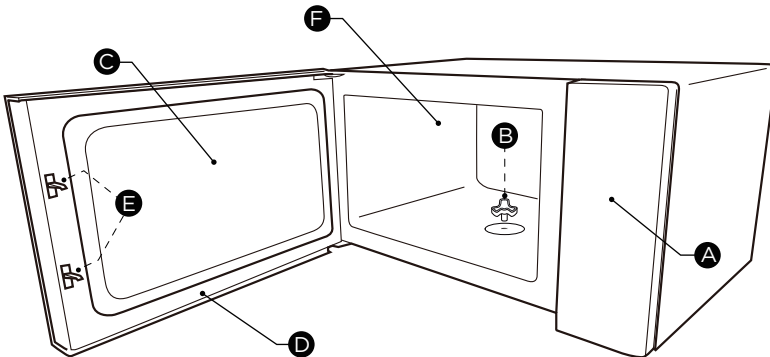
Εγχειρίδιο οδηγιών



Άξονας περιστρεφόμενου
δίσκου



Σχάρα γκριλ (δεν μπορεί να χρησιμοποιηθεί σε λειτουργία
μικροκυμάτων και πρέπει να τοποθετηθεί στον γυάλινο δίσκο)



A) Πίνακας ελέγχου

B) Άξονας περιστρεφόμενου
δίσκου

C) Παράθυρο παρατήρησης

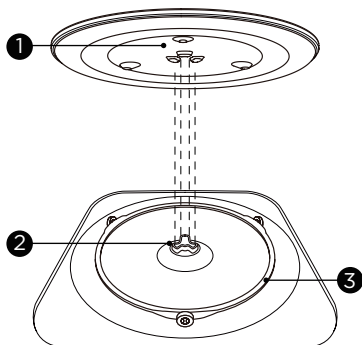
D) Διάταξη πόρτας

E) Σύστημα κλειδώματος
ασφαλείας

F) Κοιλότητα φούρνου

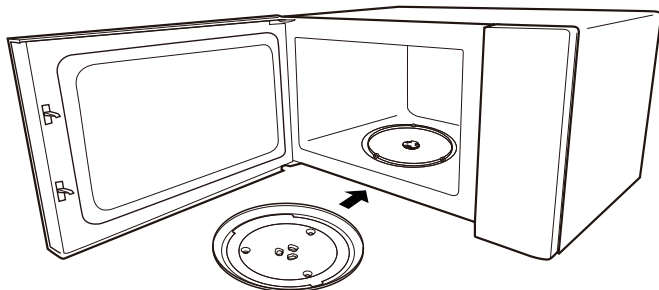
Εγκατάσταση περιστρεφόμενου δίσκου

Καθαρισμός του θαλάμου μαγειρέματος και τοποθέτηση του περιστρεφόμενου δίσκου στη θέση του. Για νέες εγκαταστάσεις, βεβαιωθείτε ότι έχει αφαιρεθεί η ταινία συσκευασίας και αποστολής από τον άξονα του περιστρεφόμενου δίσκου. Προτού χρησιμοποιήσετε τη συσκευή για να προετοιμάσετε φαγητό για πρώτη φορά, πρέπει να τοποθετήσετε τον περιστρεφόμενο δίσκο σωστά στη θέση του. Πρέπει να καθαρίσετε τον θάλαμο μαγειρέματος και τα αξεσουάρ.



Πώς να τοποθετήσετε τον περιστρεφόμενο δίσκο στη θέση του:

1. Τοποθετήστε τη διάταξη δακτυλίου του περιστρεφόμενου δίσκου (3) στην εσοχή στον θάλαμο μαγειρέματος.
2. Τοποθετήστε τον γυάλινο δίσκο (1) στη διάταξη δακτυλίου του περιστρεφόμενου δίσκου (3). Εφαρμόστε τις υπερυψωμένες, καμπύλες γραμμές στο κέντρο του γυάλινου δίσκου ανάμεσα στις τρεις ακτίνες του άξονα. Βεβαιωθείτε ότι ο γυάλινος δίσκος (1) εφαρμόζει στον άξονα του περιστρεφόμενου δίσκου (2) στο κέντρο του θαλάμου μαγειρέματος. Οι κύλινδροι του άξονα πρέπει να εφαρμόζουν μέσα στην προεξοχή στο κάτω μέρος του περιστρεφόμενου δίσκου.



ΣΗΜΕΙΩΣΕΙΣ

- Μην χρησιμοποιείτε ποτέ τη συσκευή χωρίς τον περιστρεφόμενο δίσκο. Βεβαιωθείτε ότι ο δίσκος έχει τοποθετηθεί σωστά. Ο δίσκος μπορεί να περιστραφεί δεξιόστροφα ή αριστερόστροφα.
- Μην τοποθετείτε ποτέ ανάποδα τον γυάλινο δίσκο. Ο γυάλινος δίσκος δεν πρέπει ποτέ να περιορίζεται.
- Ο γυάλινος δίσκος και η διάταξη δακτυλίου περιστρεφόμενου δίσκου πρέπει να χρησιμοποιούνται πάντα κατά το μαγείρεμα.
- Όλα τα τρόφιμα και τα δοχεία τροφίμων πρέπει να τοποθετούνται πάντα στον γυάλινο δίσκο για μαγείρεμα.
- Μην περιορίζετε ποτέ την κίνηση του περιστρεφόμενου δίσκου.
- Σε περίπτωση που ο γυάλινος δίσκος ή η διάταξη δακτυλίου περιστρεφόμενου δίσκου ραγίσουν ή σπάσουν, επικοινωνήστε με το πλησιέστερο εξουσιοδοτημένο κέντρο σέρβις.

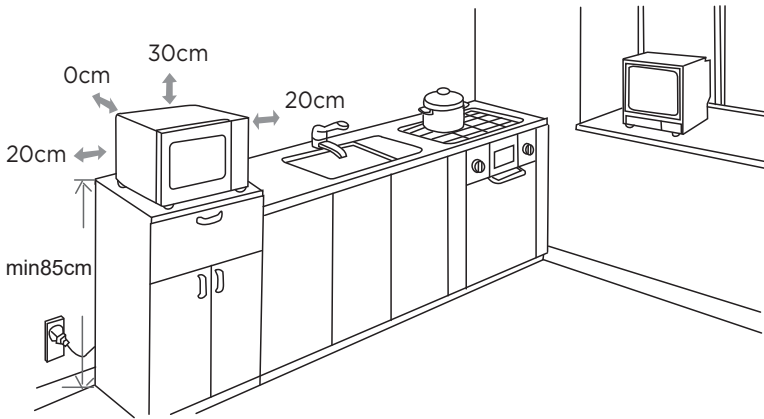
ΕΓΚΑΤΑΣΤΑΣΗ ΠΡΟΪΟΝΤΟΣ

Εγκατάσταση σε πάγκο

Αφαιρέστε όλα τα υλικά συσκευασίας και τα εξαρτήματα. Επιθεωρήστε τον φούρνο για τυχόν ζημιές, όπως χτυπήματα ή σπασμένη πόρτα. Μην εγκαθιστάτε αν ο φούρνος παρουσιάζει φθορά. Ντουλάπι: Αφαιρέστε τυχόν προστατευτική μεμβράνη που βρίσκεται στην επιφάνεια του ντουλαπιού του φούρνου μικροκυμάτων. Μην αφαιρέσετε το κάλυμμα που είναι προσαρτημένο στον θάλαμο του φούρνου για την προστασία του μαγνητρόνιου.

Τοποθέτηση

1. Επιλέξτε μια επίπεδη επιφάνεια που παρέχει αρκετό ελεύθερο χώρο για τις οπές εισόδου ή/και εξόδου αέρα.



- Το ελάχιστο ύψος εγκατάστασης είναι 85 cm.
 - Η πίσω επιφάνεια της συσκευής πρέπει να τοποθετηθεί σε τοίχο. Αφήστε ένα ελάχιστο κενό 30 cm πάνω από τον φούρνο, απαιτείται ένα ελάχιστο κενό 20 cm μεταξύ του φούρνου και τυχόν παρακείμενων τοίχων.
 - Μην αφαιρείτε τα πόδια από το κάτω μέρος του φούρνου.
 - Τυχόν μπλοκάρισμα των οπών εισόδου ή/και εξόδου αέρα ενδέχεται να προκαλέσει ζημιά στον φούρνο.
 - Τοποθετήστε τον φούρνο όσο το δυνατόν πιο μακριά από ραδιόφωνα και τηλεοράσεις. Η λειτουργία του φούρνου μικροκυμάτων ενδέχεται να προκαλέσει παρεμβολές στο σήμα ραδιοφώνου ή τηλεόρασης.
2. Τοποθετήστε το καλώδιο τροφοδοσίας στην πρίζα. Βεβαιωθείτε ότι η τάση και η συχνότητα είναι ίδια με την τάση και τη συχνότητα που αναγράφονται στην επικέτα χαρακτηριστικών.

⚠ ΠΡΟΕΙΔΟΠΟΪΗΣΗ

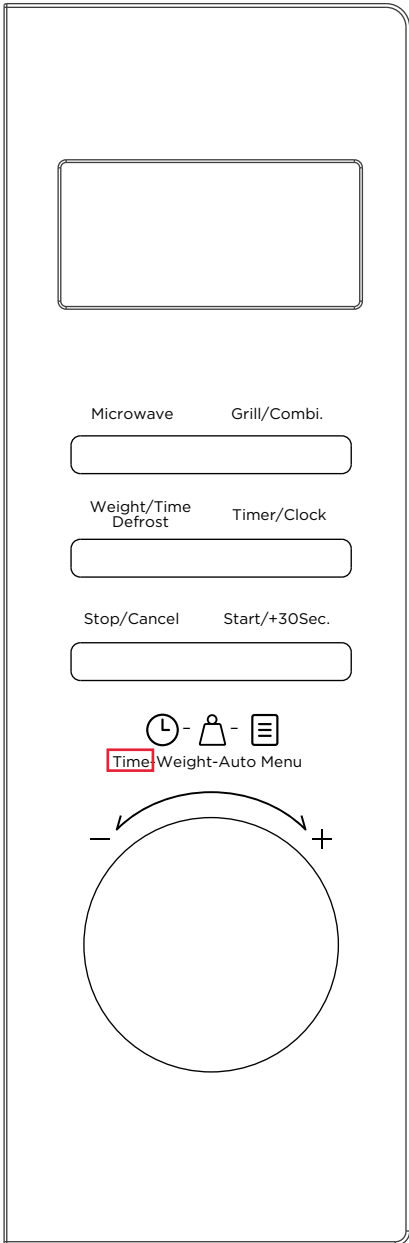
Μην εγκαθιστάτε τον φούρνο πάνω από εστία ή άλλη συσκευή που παράγει θερμότητα. Σε περίπτωση εγκατάστασης κοντά ή πάνω από πηγή θερμότητας, ο φούρνος ενδέχεται να υποστεί ζημιά, στην οποία περίπτωση η εγγύηση θα ακυρωθεί.

Οι προσβάσιμες επιφάνειες ενδέχεται να υπερθερμανθούν κατά τη διάρκεια της λειτουργίας της συσκευής.



ΟΔΗΓΙΕΣ ΛΕΙΤΟΥΡΓΙΑΣ

EL



Ρύθμιση του ρολογιού

1. Πατήστε "Timer/Clock " δύο φορές και, στη συνέχεια, θα εμφανιστεί η ένδειξη "00:00".
2. Στρέψτε τον περιστροφικό διακόπτη για να ορίσετε τα ψηφία ώρας. Ο χρόνος θα πρέπει να είναι μεταξύ 0-23.
3. Πατήστε "Timer/Clock " για επιβεβαίωση.
4. Στρέψτε τον περιστροφικό διακόπτη για να ορίσετε τα ψηφία λεπτών. Ο χρόνος θα πρέπει να είναι μεταξύ 0-59.
5. Πατήστε "Timer/Clock " για επιβεβαίωση. Το ρολόι έχει ρυθμιστεί.

ΣΗΜΕΙΩΣΗ

- Το ρολόι προβάλλει 24ωρη ένδειξη ώρας. Εάν το ρολόι δεν ρυθμιστεί, δεν θα λειτουργεί κατά τη διάρκεια της λειτουργίας.
- Για να ρυθμίσετε εκ νέου το ρολόι, επαναλάβετε τα βήματα 1 έως 5.
- Μετά το βήμα 4, εάν δεν πατήσετε "Timer/Clock " ή δεν υπάρξει καμία λειτουργία εντός 1 λεπτού,
- η ρύθμιση δεν είναι έγκυρη.

Ρύθμιση χρονοδιακόπτη κουζίνας

1. Πατήστε "Timer/Clock " μία φορά και, στη συνέχεια, θα εμφανιστεί η ένδειξη "0:00".
2. Στρέψτε τον περιστροφικό διακόπτη για να ορίσετε τον επιθυμητό χρόνο. Η μέγιστη τιμή χρόνου είναι "95:00".
3. Πατήστε "Start/+30Sec." για επιβεβαίωση. Ο χρονοδιακόπτης αρχίζει να μετράει αντίστροφα.

ΣΗΜΕΙΩΣΗ

Δεν μπορεί να ρυθμιστεί κανένα άλλο πρόγραμμα κατά τη διάρκεια του χρονομέτρου κουζίνας.

Μαγείρεμα με μικροκύματα

Επίπεδο ισχύος

Διατίθενται 5 επίπεδα ισχύος.

Επίπεδο ισχύος	Οθόνη
100%	P100
80%	P80
50%	P50
30%	P30
10%	P10

1. Πατήστε "Microwave " μία φορά και, στη συνέχεια, θα εμφανιστεί η ένδειξη "P100".
2. Πατήστε επανειλημμένα "Microwave " ή στρέψτε τον περιστροφικό διακόπτη για να ρυθμίσετε το επίπεδο ισχύος. Τα 5 επίπεδα ισχύος είναι διαθέσιμα.
3. Πατήστε "Start/+30Sec." για επιβεβαίωση.
4. Στρέψτε τον περιστροφικό διακόπτη για να ρυθμίσετε τον χρόνο μαγειρέματος. Η μέγιστη τιμή χρόνου είναι "95:00".
5. Πατήστε το κουμπί "Start/+30Sec." για εκκίνηση του μαγειρέματος.

ΣΗΜΕΙΩΣΗ

Το άνοιγμα της πόρτας του φούρνου ή το πάτημα του πλήκτρου " Stop/Cancel " κατά τη διάρκεια της λειτουργίας θα διακόψει την τρέχουσα λειτουργία.

Ψήσιμο στο γκριλ

1. Πατήστε " Grill/Combi. " μία φορά και, στη συνέχεια, θα εμφανιστεί η ένδειξη "G-1".
2. Πατήστε " Start/+30Sec. " για επιβεβαίωση.
3. Στρέψτε τον περιστροφικό διακόπτη για να ορίσετε τον χρόνο μαγειρέματος. Η μέγιστη τιμή χρόνου είναι "95:00".
4. Πατήστε το κουμπί " Start/+30Sec. " για εκκίνηση του μαγειρέματος.

ΣΗΜΕΙΩΣΗ

Αφότου παρέλθει ο μισός χρόνος, ο βομβητής ηχεί προκειμένου να σας υπενθυμίσει να γυρίσετε το φαγητό. Εάν δεν πραγματοποιηθεί καμία ενέργεια, ο φούρνος θα συνεχίσει να λειτουργεί.

Συνδυαστικό μαγείρεμα

1. Πατήστε " Grill/Combi." δύο ή τρεις φορές και, στη συνέχεια, θα εμφανιστεί η ένδειξη "C-1", "C-2".
2. Πατήστε " Start/+30Sec. " για επιβεβαίωση.
3. Στρέψτε τον περιστροφικό διακόπτη για να ορίσετε τον χρόνο μαγειρέματος. Η μέγιστη τιμή χρόνου είναι "95:00".
4. Πατήστε το κουμπί " Start/+30Sec. " για εκκίνηση του μαγειρέματος.

Λειτουργία	Οθόνη	Ισχύς μικροκυμάτων	Ισχύς γκριλ
Συνδ. 1	C-1	55%	45%
Συνδ. 2	C-2	36%	64%

Απόψυξη βάσει βάρους

1. Πατήστε " Weight/Time Defrost " μία φορά και, στη συνέχεια, θα εμφανιστεί η ένδειξη "dEF1".
2. Στρέψτε τον περιστροφικό διακόπτη για να ορίσετε το βάρος του φαγητού. Το εύρος βάρους είναι 100-2000g.
3. Πατήστε " Start/+30Sec. " για εκκίνηση της απόψυξης.

ΣΗΜΕΙΩΣΗ

Ο βομβητής θα ηχήσει για να σας υπενθυμίσει να γυρίσετε το φαγητό κατά τη διάρκεια της απόψυξης. Εάν δεν πραγματοποιηθεί καμία ενέργεια, ο φούρνος θα συνεχίσει να λειτουργεί.

Απόψυξη βάσει χρόνου

1. Πατήστε " Weight/Time Defrost " δύο φορές και, στη συνέχεια, θα εμφανιστεί η ένδειξη "dEF2".
2. Στρέψτε τον περιστροφικό διακόπτη για να ορίσετε τον χρόνο απόψυξης. Η μέγιστη τιμή χρόνου είναι "95:00".
3. Πατήστε " Start/+30Sec. " για εκκίνηση της απόψυξης.

ΣΗΜΕΙΩΣΗ

- Αφού του παρέλθει ο μισός χρόνος, ο βομβητής ηχεί προκειμένου να σας υπενθυμίσει να γυρίσετε το φαγητό. Εάν δεν πραγματοποιηθεί καμία ενέργεια, ο φούρνος θα συνεχίσει να λειτουργεί.
- Η ισχύς απόψυξης είναι P30 και δεν μπορεί να αλλάξει.

Μαγείρεμα πολλαπλών σταδίων

ΣΗΜΕΙΩΣΕΙΣ

- Μπορούν να ρυθμιστούν δύο στάδια μαγειρέματος στο μαγείρεμα πολλαπλών σταδίων.
- Εάν ορίσετε τη λειτουργία απόψυξης, θα λειτουργήσει αυτόματα στο πρώτο στάδιο.
- Οι επιλογές Χρονόμετρο κουζίνας, Αυτόματο μενού δεν μπορούν να οριστούν ως ένα από τα στάδια πολλαπλών φάσεων.

Παράδειγμα: Ξεπαγώστε τα τρόφιμα για 5 λεπτά και, στη συνέχεια, μαγειρέψτε με 80% ισχύ μικροκυμάτων για 7 λεπτά.

1. Πατήστε " Weight/Time " δύο φορές και, στη συνέχεια, θα εμφανιστεί η ένδειξη "dEF2".
Defrost
2. Στρέψτε τον περιστροφικό διακόπτη για να ορίσετε χρόνο απόψυξης 5 λεπτών.
3. Πατήστε " Microwave " και, στη συνέχεια, θα εμφανιστεί η ένδειξη "P100".
4. Στρέψτε τον περιστροφικό διακόπτη για να ορίσετε επίπεδο ισχύος P80. Και, στη συνέχεια, πατήστε " Start/+30Sec. " για επιβεβαίωση.
5. Στρέψτε τον περιστροφικό διακόπτη για να ορίσετε χρόνο μαγειρέματος 7 λεπτών.
6. Πατήστε το κουμπί " Start/+30Sec." για εκκίνηση του μαγειρέματος.

EL

Γρήγορο μαγείρεμα

1. Στην κατάσταση αναμονής, πατήστε " Start/+30Sec." για να μαγειρέψετε το φαγητό με επίπεδο ισχύος 100% για 30 δευτερόλεπτα. Κάθε πάτημα στο ίδιο πλήκτρο αυξάνει τον χρόνο κατά 30 δευτερόλεπτα, ενώ η μέγιστη τιμή χρόνου είναι 95 λεπτά.
2. Στην κατάσταση αναμονής, στρέψτε τον περιστροφικό διακόπτη προς τα αριστερά για να ρυθμίσετε έναν χρόνο μαγειρέματος με επίπεδο ισχύος 100%. Στη συνέχεια, στρέψτε τον περιστροφικό διακόπτη για να προσαρμόσετε τον χρόνο μαγειρέματος. Η μέγιστη τιμή χρόνου είναι 95 λεπτά. Πατήστε το κουμπί " Start/+30Sec. " για εκκίνηση του μαγειρέματος.

Λειτουργία κλειδώματος για παιδιά

Μπορείτε να χρησιμοποιήσετε αυτή τη λειτουργία για να αποτρέψετε την τυχαία ενεργοποίηση του φούρνου από παιδιά.

Για να ενεργοποιήσετε το κλειδίωμα:

Στην κατάσταση αναμονής, πατήστε παρατεταμένα " Stop/Cancel " για τρία δευτερόλεπτα.

Ακούγεται ένα ηχητικό σήμα και θα εμφανιστεί η ένδειξη "[_ _]".

Για να απενεργοποιήσετε το κλειδίωμα:

Στην κατάσταση κλειδώματος, πατήστε παρατεταμένα " Stop/Cancel " για τρία δευτερόλεπτα.

Ακούγεται ένα ηχητικό σήμα.

Λειτουργία πληροφοριών

1. Εάν έχει ρυθμιστεί το ρολόι, η τρέχουσα ώρα εμφανίζεται για τρία δευτερόλεπτα πατώντας "Timer/Clock " στην κατάσταση μαγειρέματος.
2. Στην κατάσταση μαγειρέματος με μικροκύματα, πατήστε " Microwave " για να δείτε το επίπεδο ισχύος. Θα εμφανιστεί για τρία δευτερόλεπτα. Στην κατάσταση ψησίματος γκριλ και στην κατάσταση συνδυαστικού μαγειρέματος, μπορείτε να δείτε το επίπεδο ισχύος πατώντας " Grill/Combi. ".

Αυτόματο μενού

1. Στρέψτε τον περιστροφικό διακόπτη προς τα δεξιά και, στη συνέχεια, αναβοσβήνει η ένδειξη "A-1".
2. Συνεχίστε να περιστρέφετε τον περιστροφικό διακόπτη για να επιλέξετε το επιθυμητό μενού. Διατίθενται 8 αυτόματα μενού.
3. Πατήστε " Start/+30Sec. " για επιβεβαίωση.
4. Στρέψτε τον περιστροφικό διακόπτη για να ορίσετε το βάρος του φαγητού.
5. Πατήστε το κουμπί " Start/+30Sec. " για εκκίνηση του μαγειρέματος.

ΣΗΜΕΙΩΣΕΙΣ

- Το άνοιγμα της πόρτας του φούρνου ή το πάτημα του πλήκτρου " Stop/Cancel " κατά τη διάρκεια της λειτουργίας θα διακόψει την τρέχουσα λειτουργία.
- Θα πρέπει πρώτα να στρέψετε τον περιστροφικό διακόπτη δεξιά στην κατάσταση αναμονής για να επιλέξετε "Αυτόματο μενού". Εάν στρέψετε τον περιστροφικό διακόπτη προς τα αριστερά, εισάγεται ο χρόνος μαγειρέματος του γρήγορου μαγειρέματος.

Πίνακας μενού:

Μενού	Βάρος	Θθόνη	Ισχύς
A-1 Αυτόματη αναθέρμανση	200g	200	P100
	400g	400	
	600g	600	
A-2 Λαχανικά	200g	200	P100
	300g	300	
	450g	450	
A-3 Ψάρι	150g	150	C-2
	300g	300	
	450g	450	
A-4 Κρέας	200g	200	C-2
	300g	300	
	500g	500	
A-5 Ζυμαρικά	50g (με 450g κρύο νερό)	50	P80
	100g (με 800g κρύο νερό)	100	
A-6 Πατάτα	1(230g)	1	P100
	2	2	
	3	3	
A-7 Πίτσα	200g	200	P100
	400g	400	
A-8 Ρύζι	200g	200	P100+P50
	400g	400	

EL

ΚΑΘΑΡΙΣΜΟΣ ΚΑΙ ΣΥΝΤΗΡΗΣΗ

Αποσυνδέστε τη συσκευή από την παροχή τροφοδοσίας.

- Καθαρίζετε το εσωτερικό του φούρνου μετά τη χρήση, χρησιμοποιώντας ένα ελαφρώς νωπό πανί.
- Καθαρίζετε τα εξαρτήματα με τον συνηθισμένο τρόπο, με νερό και σαπούνι.
- Το πλαίσιο και η σφράγιση της πόρτας, καθώς και τα παρακείμενα εξαρτήματα πρέπει να καθαρίζονται προσεκτικά με ένα νωπό πανί, όταν λερωθούν.
- Μην χρησιμοποιείτε ισχυρά, αποξεστικά καθαριστικά ή αιχμηρές μεταλλικές βούρτσες για να καθαρίσετε το τζάμι της πόρτας του φούρνου, αφού μπορούν να γρατζουνίσουν την επιφάνεια, προκαλώντας θραύση του γυαλιού.
- Συμβουλή καθαρισμού---Για ευκολότερο καθαρισμό των εσωτερικών τοιχωμάτων όπου υπάρχει περίπτωση επαφής με τα τρόφιμα: Τοποθετήστε μισό λεμόνι σε μια λεκάνη, προσθέστε 300ml νερού και θερμάνετε σε ισχύ μικροκυμάτων 100% για 10 λεπτά. Σκουπίστε τον φούρνο με ένα απαλό, στεγνό πανί.


ΑΝΤΙΜΕΤΩΠΙΣΗ ΠΡΟΒΛΗΜΑΤΩΝ

Φυσιολογική λειτουργία	
Ο φούρνος μικροκυμάτων κάνει παρεμβολές στην τηλεοπτική λήψη	Η ραδιοφωνική και η τηλεοπτική λήψη ενδέχεται να δέχονται παρεμβολές κατά τη λειτουργία του φούρνου μικροκυμάτων. Αυτές οι παρεμβολές είναι παρόμοιες με εκείνες των μικρών ηλεκτρικών συσκευών, όπως μίξερ, ηλεκτρική σκούπα και ηλεκτρικός ανεμιστήρας. Αυτό είναι φυσιολογικό.
Χαμηλός φωτισμός φούρνου	Κατά το μαγείρεμα με χαμηλή ισχύ μικροκυμάτων, ο φωτισμός του φούρνου ενδέχεται να γίνει χαμηλός. Αυτό είναι φυσιολογικό.
Συσσωρεύεται ατμός στην πόρτα και εξέρχεται θερμός αέρας από τις οπές αερισμού	Κατά το μαγείρεμα, ενδέχεται να εξέλθει ατμός από το φαγητό. Το μεγαλύτερο μέρος του ατμού εξέρχεται από τις οπές αερισμού. Κάποια ποσότητα του ατμού ενδέχεται ωστόσο να συγκεντρωθεί σε δροσερό σημείο, όπως η πόρτα του φούρνου. Αυτό είναι φυσιολογικό.
Ο φούρνος ξεκίνησε κατά λάθος, χωρίς τρόφιμα στο εσωτερικό.	Δεν επιτρέπεται να χρησιμοποιείτε τη συσκευή χωρίς τρόφιμα στο εσωτερικό. Αυτό είναι πολύ επικίνδυνο.

Πρόβλημα	Πιθανή αιτία	Αποκατάσταση
Ο φούρνος δεν λειτουργεί.	<ul style="list-style-type: none"> Το καλώδιο τροφοδοσίας δεν έχει συνδεθεί σωστά στην πρίζα. 	<ul style="list-style-type: none"> Αποσυνδέστε. Στη συνέχεια, συνδέστε ξανά μετά από 10 δευτερόλεπτα.
	<ul style="list-style-type: none"> Κάηκε η ασφάλεια ή έπεσε ο αυτόματος διακόπτης. 	<ul style="list-style-type: none"> Αντικαταστήστε την ασφάλεια ή επαναφέρετε τον αυτόματο διακόπτη (επισκευή που πρέπει να διενεργείται από επαγγελματικό προσωπικό της εταιρείας μας)
	<ul style="list-style-type: none"> Πρόβλημα στην πρίζα. 	<ul style="list-style-type: none"> Δοκιμάστε την πρίζα με άλλες ηλεκτρικές συσκευές.
Ο φούρνος δεν θερμαίνει.	<ul style="list-style-type: none"> Η πόρτα δεν έχει κλείσει σωστά. 	<ul style="list-style-type: none"> Κλείστε σωστά την πόρτα.

EL

ΕΜΠΟΡΙΚΑ ΣΗΜΑΤΑ, ΠΝΕΥΜΑΤΙΚΑ ΔΙΚΑΙΩΜΑΤΑ ΚΑΙ ΝΟΜΙΚΗ ΔΗΛΩΣΗ

 Το λογότυπο, οι ενδείξεις, η εμπορική επωνυμία, το εμπορικό σήμα και όλες οι εκδόσεις τους αποτελούν πολύτιμα περιουσιακά στοιχεία του ομίλου Midea και/ή των θυγατρικών του ("Midea"), στα οποία η Midea κατέχει εμπορικά σήματα, πνευματικά δικαιώματα και άλλα δικαιώματα πνευματικής ιδιοκτησίας, καθώς και όλη την υπεραξία που προκύπτει από τη χρήση οποιουδήποτε μέρους ενός εμπορικού σήματος της Midea. Η χρήση του εμπορικού σήματος της Midea για εμπορικούς σκοπούς χωρίς την προηγούμενη γραπτή συγκατάθεση της Midea ενδέχεται να συνιστά παραβίαση εμπορικού σήματος ή αθέμιτο ανταγωνισμό κατά παράβαση των σχετικών νόμων.

Το παρόν εγχειρίδιο δημιουργήθηκε από τη Midea και η Midea διατηρεί όλα τα πνευματικά δικαιώματα αυτού. Καμία οντότητα ή φυσικό πρόσωπο δεν μπορεί να χρησιμοποιήσει, να αντιγράψει, να τροποποιήσει, να διανείμει εν όλω ή εν μέρει το παρόν εγχειρίδιο ή να το συνδυάσει ή να το πωλήσει με άλλα προϊόντα χωρίς την προηγούμενη γραπτή συγκατάθεση της Midea.

EL Όλες οι περιγραφόμενες λειτουργίες και οδηγίες ήταν ενημερωμένες κατά τη στιγμή της εκτύπωσης του παρόντος εγχειριδίου. Ωστόσο, το πραγματικό προϊόν ενδέχεται να διαφέρει λόγω βελτιωμένων λειτουργιών και σχεδίων.

ΑΠΟΡΡΙΨΗ ΚΑΙ ΑΝΑΚΥΚΛΩΣΗ

Σημαντικές οδηγίες για το περιβάλλον

Συμμόρφωση με την οδηγία ΑΗΗΕ και απόρριψη του προϊόντος:

Αυτό το προϊόν συμμορφώνεται με την οδηγία ΑΗΗΕ της ΕΕ (2012/19/ΕΕ). Αυτό το προϊόν φέρει σύμβολο ταξινόμησης για τα απόβλητα ηλεκτρικού και ηλεκτρονικού εξοπλισμού (ΑΗΗΕ).

Αυτό το σύμβολο υποδεικνύει ότι το προϊόν δεν πρέπει να απορρίπτεται μαζί με άλλα οικιακά απόβλητα στο τέλος της διάρκειας ζωής του. Η χρησιμοποιημένη συσκευή πρέπει να επιστραφεί σε επίσημο σημείο συλλογής για την ανακύκλωση ηλεκτρικών ηλεκτρονικών συσκευών. Για να βρείτε αυτά τα συστήματα συλλογής, επικοινωνήστε με τις τοπικές αρχές ή με τον έμπορο λιανικής πώλησης από όπου αγοράστηκε το προϊόν. Κάθε νοικοκυριό διαδραματίζει σημαντικό ρόλο στην ανάκτηση και ανακύκλωση παλαιών συσκευών. Η κατάλληλη απόρριψη της χρησιμοποιημένης συσκευής συμβάλλει στην πρόληψη πιθανών αρνητικών συνεπειών για το περιβάλλον και την ανθρώπινη υγεία.



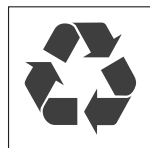
EL

Συμβατότητα με Οδηγία RoHS

Το προϊόν που αγοράσατε συμμορφώνεται με την οδηγία RoHS της ΕΕ (2011/65/ΕΕ). Δεν περιέχει επιβλαβή και απαγορευμένα υλικά που καθορίζονται στην Οδηγία.

Πληροφορίες συσκευασίας

Τα υλικά συσκευασίας του προϊόντος κατασκευάζονται από ανακυκλώσιμα υλικά σύμφωνα με τους εθνικούς περιβαλλοντικούς κανονισμούς της χώρας μας. Μην απορρίπτετε τα υλικά συσκευασίας μαζί με τα οικιακά ή άλλα απορρίμματα. Να τα μεταφέρετε στα σημεία συλλογής υλικών συσκευασίας που έχουν οριστεί από τις τοπικές αρχές.



ΕΙΔΟΠΟΙΗΣΗ ΓΙΑ ΤΗΝ ΠΡΟΣΤΑΣΙΑ ΤΩΝ ΔΕΔΟΜΕΝΩΝ

Για την παροχή των υπηρεσιών που έχουν συμφωνηθεί με τον πελάτη, συμφωνούμε να συμμορφωνόμαστε χωρίς περιορισμούς με όλες τις διατάξεις της ισχύουσας νομοθεσίας περί προστασίας δεδομένων της εκάστοτε χώρας στην οποία παρέχονται οι υπηρεσίες, καθώς και, κατά περίπτωση, με τον γενικό κανονισμό της ΕΕ για την προστασία δεδομένων (ΓΚΠΔ).

Σε γενικές γραμμές, η επεξεργασία δεδομένων μας γίνεται για την εκπλήρωση των συμβατικών μας υποχρεώσεων μαζί σας και για λόγους ασφάλειας των προϊόντων, για τη διασφάλιση των δικαιωμάτων σας σε σχέση με ερωτήσεις εγγύησης και καταχώρισης προϊόντων. Σε ορισμένες περιπτώσεις, αλλά μόνο εφόσον διασφαλίζεται η κατάλληλη προστασία των δεδομένων, τα προσωπικά δεδομένα ενδέχεται να διαβιβαστούν σε παραλήπτες που βρίσκονται εκτός του Ευρωπαϊκού Οικονομικού Χώρου.

Περαιτέρω πληροφορίες παρέχονται κατόπιν αιτήματος. Μπορείτε να επικοινωνήσετε με τον υπεύθυνο προστασίας δεδομένων μας μέσω της διεύθυνσης **MideaDPO@midea.com**. Για να ασκήσετε τα δικαιώματά σας, όπως το δικαίωμα εναντίωσης στην επεξεργασία των προσωπικών σας δεδομένων για σκοπούς άμεσου μάρκετινγκ, επικοινωνήστε μαζί μας μέσω της διεύθυνσης **MideaDPO@midea.com**. Για περισσότερες πληροφορίες, σαρώστε τον κωδικό QR.

EL



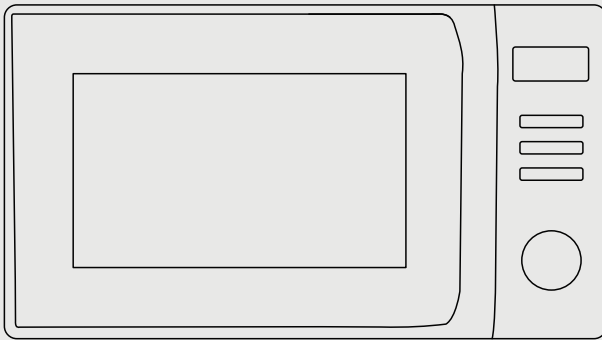
make yourself at home

EL



www.midea.com

© Midea 2024 all rights reserved



PT

FORNO MICRO-ONDAS

MANUAL DO UTILIZADOR

**AG20CF2E
AG20CF2EBK**

Avisos: Antes de utilizar este produto, leia atentamente este manual e guarde-o para referência futura. O design e as especificações estão sujeitos a alterações sem aviso prévio para efeitos de melhoria do produto. Consulte o seu fornecedor ou o fabricante para obter mais informações. O diagrama acima serve apenas como referência. Tenha como padrão o aspeto do produto real.

NOTA DE AGRADECIMENTO

Muito obrigado por escolher Midea! Antes de utilizar o seu novo produto Midea, leia este manual atentamente para garantir que sabe utilizar as funcionalidades e funções disponibilizadas pelo seu novo aparelho em segurança.

CONTEÚDO

NOTA DE AGRADECIMENTO	PT-01
INSTRUÇÕES DE SEGURANÇA	PT-02
ESPECIFICAÇÕES	PT-12
DESCRIÇÃO GERAL DO PRODUTO	PT-13
INSTALAÇÃO DO PRODUTO	PT-15
INSTRUÇÕES DE OPERAÇÃO	PT-16
LIMPEZA E MANUTENÇÃO	PT-22
RESOLUÇÃO DE PROBLEMAS	PT-23
MARCAS REGISTRADAS, DIREITOS DE AUTOR E AVISO LEGAL	PT-24
ELIMINAÇÃO E RECICLAGEM	PT-25
AVISO SOBRE A PROTEÇÃO DE DADOS	PT-26

INSTRUÇÕES DE SEGURANÇA

Utilização prevista

As seguintes orientações de segurança destinam-se a prevenir riscos ou danos imprevistos decorrentes do funcionamento pouco seguro ou incorreto do aparelho. Verifique a embalagem e o aparelho à chegada para se certificar de que tudo está intacto para garantir um funcionamento seguro. Se encontrar algum dano, contacte o distribuidor ou revendedor. Tenha em conta que, para sua segurança, não são permitidas modificações ou alterações ao aparelho. A utilização não intencional pode causar perigos e perda de garantias.

Explicação dos símbolos



Perigo

Este símbolo indica que existem perigos para a vida e saúde das pessoas devido ao gás extremamente inflamável.



Aviso de tensão elétrica

Este símbolo indica que existe um perigo para a vida e saúde das pessoas devido à tensão.



Aviso

A palavra-sinal indica um perigo com um nível médio de risco que, se não for evitado, pode resultar em morte ou ferimentos graves.



Cuidado

A palavra-sinal indica um perigo com um nível baixo de risco que, se não for evitado, pode resultar em ferimentos menores ou moderados.



Atenção

A palavra-sinal indica informações importantes (p. ex., danos materiais), sem perigo.



Instruções a observar

Este símbolo indica que um técnico de serviço só deve operar e manter este aparelho em conformidade com as instruções de funcionamento.

Leia estas instruções de utilização com cuidado e atenção antes de utilizar a unidade e mantenha-as nas imediações do local de instalação ou unidade para utilização posterior!

Precauções para evitar possível exposição a níveis excessivos de energia de micro-ondas

- a. Não tente utilizar este forno com a porta aberta, pois tal pode resultar numa exposição nociva a energia micro-ondas. É importante não quebrar ou adulterar os interbloqueios de segurança.
- b. Não coloque quaisquer objetos entre a superfície dianteira do forno e a porta, nem permita a acumulação de sujidade ou de resíduos de detergente nas superfícies isolantes.
- c. AVISO: Se a porta ou as vedações da porta estiverem danificadas, o forno não deverá ser utilizado até que seja reparado por uma pessoa competente.

Adenda

PT

Se o eletrodoméstico não for mantido num bom estado de limpeza, a sua superfície pode ficar degradada, afetando a vida útil do mesmo e dando origem a uma situação perigosa.

Instruções importantes de segurança

⚠ AVISO

A fim de reduzir o risco de incêndio, choque elétrico, ferimentos ou exposição a níveis excessivos de energia do forno micro-ondas durante a utilização do seu eletrodoméstico, siga as precauções básicas, incluindo as seguintes:

- Leia e siga o especificado: "PRECAUÇÕES PARA EVITAR POSSÍVEL EXPOSIÇÃO A NÍVEIS EXCESSIVOS DE ENERGIA DO MICRO-ONDAS".
- Este equipamento pode ser usado por crianças com 8 anos e mais e por pessoas com capacidades físicas, sensoriais ou mentais reduzidas ou com falta de experiência e conhecimento se lhes tiver sido dada a supervisão ou instrução relativamente ao uso do equipamento de uma forma segura e entender os riscos envolvidos. As crianças não devem brincar com o aparelho. A limpeza e a manutenção por parte do utilizador não devem ser realizadas por crianças sem supervisão.
- Mantenha o eletrodoméstico e o seu cabo de alimentação fora do alcance de crianças com menos de 8 anos de idade.
- Se o cabo de alimentação estiver danificado, deve ser substituído pelo fabricante ou respetivo agente de assistência ou uma pessoa similarmente qualificada para evitar riscos.
- AVISO: Assegure-se de que o aparelho está desligado antes de substituir a lâmpada para evitar a possibilidade de choque elétrico.

- AVISO: É perigoso para uma pessoa, que não um técnico qualificado, proceder a qualquer operação de assistência ou reparação, que envolva a remoção de uma tampa de proteção contra a exposição à energia de micro-ondas.
- AVISO: Os líquidos ou outros alimentos não devem ser aquecidos em recipientes selados, uma vez que podem explodir.
- Ao aquecer alimentos em recipientes plásticos ou de papel, vigie o forno devido à possibilidade de ignição.
- Apenas utilize utensílios que sejam adequados à utilização em fornos micro-ondas.
- Se for emitido fumo, desligue o aparelho ou retire a ficha da tomada e mantenha a porta fechada, de forma a abafar quaisquer chamas.
- O aquecimento de bebidas no micro-ondas pode resultar no sobreaquecimento do líquido para além do ponto de ebulição sem que se verifique o borbulhar, portanto, deverá ter cuidado no manuseio do recipiente.
- O conteúdo de biberões e de recipientes de comida para bebé devem ser mexidos ou agitados e a temperatura deve ser verificada antes do consumo de forma a evitar queimaduras.
- Não deve utilizar fornos micro-ondas para aquecer ovos com casca nem ovos cozidos, uma vez que estes podem explodir depois de aquecidos no micro-ondas.
- O forno deve ser limpo regularmente e quaisquer resíduos de alimentos devem ser removidos.

- A falta de limpeza do forno poderá levar à deterioração da superfície, o que poderá afetar o tempo de vida útil do aparelho e, possivelmente, resultar numa situação perigosa.
- O aparelho não deve ser instalado atrás da porta de um móvel de cozinha, de forma a evitar o sobreaquecimento. (esta instrução não é aplicável a eletrodomésticos com porta decorativa.)
- Utilize apenas a sonda de temperatura recomendada para este forno. (para fornos equipados com a possibilidade de utilizar uma sonda de temperatura.)
- O forno micro-ondas não deve ser colocado num armário, exceto se tiver sido testado num.
- O forno micro-ondas tem de ser utilizado com a porta decorativa aberta. (para fornos com porta decorativa.)
- Este eletrodoméstico deve ser utilizado num ambiente doméstico e em aplicações similares, tais como:
 - áreas de cozinha dos funcionários em lojas, escritórios e outros ambientes de trabalho;
 - por clientes em hotéis, motéis e outros ambientes de residências;
 - casas rurais;
 - ambientes do tipo alojamento e pequeno-almoço.
- O forno micro-ondas destina-se ao aquecimento de alimentos e bebidas. A secagem de alimentos ou roupa e o aquecimento de almofadas de aquecimento, chinelos, esponjas, panos molhados ou objetos semelhantes pode causar o risco de ferimentos, ignição ou fogo.
- Recipientes metálicos para alimentos e bebidas não são permitidos durante a cozedura no micro-ondas.
- O eletrodoméstico não deve ser limpo com um aparelho de limpeza a vapor.

- Este eletrodoméstico destina-se a ser utilizado de forma independente.
- A superfície traseira dos eletrodomésticos deve ser colocada contra uma parede.
- Os aparelhos não se destinam a ser operados através de um temporizador externo ou de um sistema de controlo remoto separado.
- A temperatura das superfícies acessíveis pode ser elevada quando o aparelho está a funcionar.
- AVISO: quando o eletrodoméstico é utilizado no modo combinado, as crianças apenas podem utilizar o forno sob supervisão de adultos devido às temperaturas geradas.

**LEIA CUIDADOSAMENTE E CONSERVE PARA
REFERÊNCIA FUTURA**

Instalação com ligação à terra (para reduzir o risco de ferimentos)

⚠ PERIGO

Risco de choque elétrico

Tocar em alguns dos componentes internos pode provocar ferimentos graves ou morte. Não desmonte este eletrodoméstico.

⚠ AVISO

Risco de choque elétrico

A utilização inadequada da ligação à terra pode resultar em choque elétrico. Não ligue a ficha a uma tomada até o eletrodoméstico estar devidamente instalado e ligado à terra.

Este aparelho tem de ser ligado à terra. Em caso de curto-circuito, a ligação à terra reduz o risco de choque elétrico providenciando um "escape" para a corrente elétrica.

Este eletrodoméstico está equipado com um cabo com fio de terra com uma ficha ligada à terra. A ficha tem de ser ligada a uma tomada devidamente instalada e ligada à terra.

Consulte um eletricista ou um técnico qualificados se as instruções relativas à ligação à terra não forem compreendidas ou se persistirem dúvidas quanto ao facto de o eletrodoméstico estar ou não devidamente ligado à terra.

Se for necessário utilizar um cabo de extensão, utilize apenas um cabo de 3 fios.

- É fornecido um cabo de alimentação de curta extensão para reduzir os riscos resultantes de este ficar enredado ou de as pessoas tropeçarem num cabo mais longo.

- Se for utilizado um cabo mais longo ou um cabo de extensão:
 - a classificação elétrica assinalada do cabo ou cabo de extensão deve ser, pelo menos, igual à classificação elétrica do eletrodoméstico.
 - o cabo de extensão tem de ser um cabo de 3 fios com ligação à terra.
 - o cabo longo deve ser disposto de forma a não ficar pendurado sobre o balcão ou mesa onde possa ser puxado por crianças ou onde as pessoas possam tropeçar.

Utensílios

CUIDADO

Risco de ferimentos

É perigoso para uma pessoa, que não um técnico qualificado, proceder a qualquer operação de assistência ou reparação, que envolva a remoção de uma tampa de proteção contra a exposição à energia de micro-ondas. Consulte as instruções na secção "Materiais que pode utilizar ou a evitar no forno micro-ondas". Alguns utensílios não metálicos podem não ser seguros para uma utilização no micro-ondas. Em caso de dúvida, pode testar o utensílio em questão realizando o procedimento abaixo.

Teste de utensílios:

- encha um recipiente próprio para micro-ondas com 1 chávena (250 ml) de água fria, juntamente com o utensílio em questão.
- ligue o micro-ondas na potência máxima durante 1 minuto.
- toque cuidadosamente no utensílio. Se estiver quente, não deve utilizá-lo no micro-ondas.
- não exceda 1 minuto de cozedura.

Materiais que pode utilizar no forno de micro-ondas

Utensílios	Observações
Prato para dourar alimentos	Siga as instruções do fabricante. O fundo do prato de cozedura deve estar pelo menos 3/16 polegadas (5mm) acima do prato giratório. Uma utilização incorreta pode provocar a quebra do prato giratório.
Serviço de jantar	Apenas louça adequada a micro-ondas. Siga as instruções do fabricante. Não utilize pratos partidos ou lascados.
Frascos de vidro	Retire sempre a tampa. Utilize apenas para aquecer alimentos até estarem quentes. A maioria dos frascos de vidro não são resistentes ao calor e podem quebrar.
Copos	Utilize apenas copos resistentes ao calor próprios para irem ao forno. Certifique-se de que não possuem rebordos metálicos. Não utilize pratos partidos ou lascados.
Sacos para cozedura no forno	Siga as instruções do fabricante. Não feche com atilhos metálicos. Faça alguns cortes para permitir a saída do vapor.
Pratos e copos de papel	Utilize apenas para cozedura/aquecimento de alimentos de curta duração. Não deixe o forno sem vigilância durante a cozedura.
Papel de cozinha	Utilize para tapar os alimentos a aquecer e para absorver a gordura. Utilize apenas sob supervisão em cozedura de alimentos de curta duração.
Papel vegetal	Utilize como cobertura para prevenir salpicos ou como embrulho para cozinhar a vapor.
Plástico	Apenas louça adequada a micro-ondas. Siga as instruções do fabricante. Deve ter a indicação "Adequado para micro-ondas". Alguns recipientes de plástico podem derreter, pois os alimentos no seu interior ficam quentes. "Sacos de cozedura" e sacos de plástico bem fechados devem ser rasgados, perfurados ou ventilados conforme indicado na embalagem.
Película aderente	Apenas louça adequada a micro-ondas. Utilize para cobrir os alimentos durante a cozedura, para retenção da humidade. Não permita que a película aderente toque nos alimentos.
Termómetros	Apenas "adequado para micro-ondas" (termómetros para carne e doces).
Papel encerado	Utilize como cobertura para prevenir salpicos e para reter a humidade.

PT

Materiais a evitar no forno micro-ondas

Utensílios	Observações
Bandeja de alumínio	Pode gerar centelhas. Transfira os alimentos para um prato adequado para micro-ondas.
Embalagem de cartão com pega metálica	Pode gerar centelhas. Transfira os alimentos para um prato adequado para micro-ondas.
Utensílios metálicos ou com rebordos metálicos	O metal protege os alimentos da energia de micro-ondas. Os rebordos metálicos podem gerar centelhas.
Atilhos metálicos	Podem gerar centelhas e provocar um incêndio no forno.
Sacos de papel	Podem provocar um incêndio no forno.
Espuma de plástico	A espuma de plástico pode derreter ou contaminar o líquido no interior quando exposta a temperaturas elevadas.
Madeira	A madeira irá secar quando utilizada no forno micro-ondas, podendo rachar.

ESPECIFICAÇÕES

MODELO	AG20CF2E / AG20CF2EBK
TENSÃO NOMINAL	230 V-
FREQUÊNCIA NOMINAL	50 Hz
ENTRADA NOMINAL	1050W
SAÍDA NOMINAL(MICRO-ONDAS)	700 W
ENTRADA NOMINAL(GRELHADOR)	1000 W

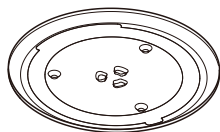
DESCRIÇÃO GERAL DO PRODUTO

Nomes Das Peças e Acessórios Do Forno

Em caso de diferenças entre o eletrodoméstico e as imagens apresentadas neste manual, prevalecerá o produto.

Retire o forno e todos os materiais do interior da caixa e do interior do forno.

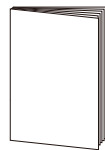
O seu forno inclui os seguintes acessórios:



Prato de vidro



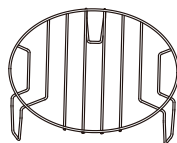
Montagem do Anel do Prato Giratório



Manual de instruções

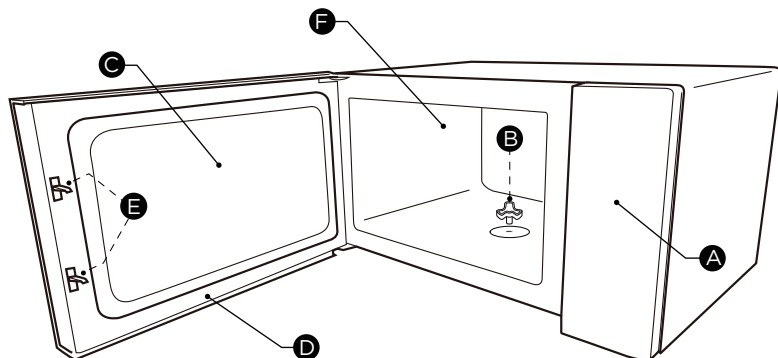


Eixo do prato giratório



Grelha (não pode ser utilizada na função micro-ondas e deve ser colocada sobre o tabuleiro de vidro)

PT



A) Painel de controlo

B) Eixo do prato giratório

C) Janela de observação

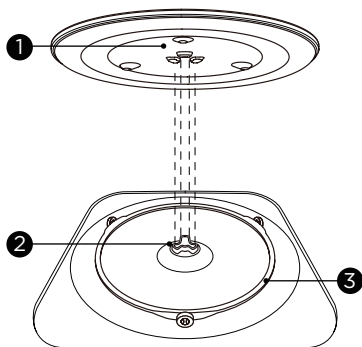
D) Conjunto da porta

E) Sistema de interbloqueio de segurança

F) Cavidade do forno

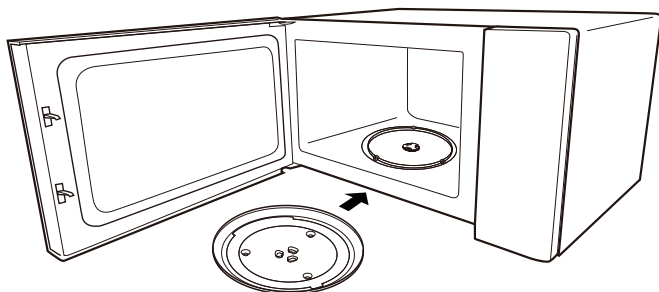
Instalação do prato rotativo

Limpe o compartimento de cozedura e coloque o prato giratório no seu lugar. Para novas instalações, certifique-se de que todas as embalagens e fitas de transporte foram removidas do eixo do prato giratório. Antes de utilizar o aparelho para preparar alimentos pela primeira vez, terá de colocar corretamente o prato giratório. É necessário limpar o compartimento de cozedura e os acessórios.



Como colocar o prato giratório no lugar:

1. Coloque a montagem do anel giratório (3) no recesso do compartimento de cozedura.
2. Coloque a bandeja de vidro (1) na montagem do anel de prato giratório (3). Encaixe as linhas curvas e elevadas no centro do fundo da bandeja de vidro entre os três raios do eixo. Certifique-se de que a bandeja de vidro (1) se encaixa no eixo do prato giratório (2) no centro do piso do compartimento de cozedura. Os rolos no eixo devem caber no interior da reentrância inferior do prato giratório.



NOTAS

- Nunca utilizar o aparelho sem o prato giratório. Certificar-se de que está devidamente engatado. O prato giratório pode girar no sentido dos ponteiros do relógio ou no sentido contrário.
- Nunca coloque o prato de vidro ao contrário. O prato de vidro nunca deve ficar bloqueado.
- Tanto o prato de vidro como o anel do prato giratório devem ser sempre utilizados durante a cozedura.
- Todos os alimentos e recipientes de alimentos devem ser sempre colocados no prato de vidro para a respetiva cozedura.
- Nunca restrinja o movimento do prato giratório.
- Se o prato de vidro ou o anel do prato giratório se partir ou rachar, contacte o seu centro de assistência autorizado mais próximo.

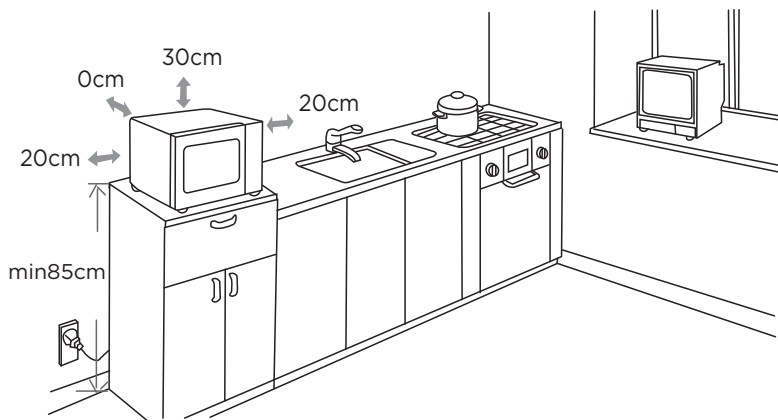
INSTALAÇÃO DO PRODUTO

Instalação em balcão

Retire todo o material de embalagem e acessórios. Examine o forno e veja se tem danos como moissas ou a porta partida. Não instale o forno se estiver danificado. Armário: Remova qualquer película protetora que se encontre na superfície do forno micro-ondas. Não remova a cobertura de guia de ondas que se encontra no interior do forno (para proteção do magnetrão).

Instalação

1. Selecione uma superfície nivelada com espaço livre suficiente para as entradas e/ou saídas de ar.



- A altura mínima da instalação é de 85 cm.
 - A superfície traseira do eletrodoméstico deve ser colocada contra uma parede. Deixe uma folga mínima de 30 cm por cima do forno; é necessária uma folga mínima de 20 cm entre o forno e qualquer parede adjacente.
 - Não remova os pés da parte inferior do forno.
 - O bloqueio das aberturas de entrada e/ou saída de ar pode danificar o forno.
 - Coloque o forno o mais afastado possível de rádios e aparelhos de TV. O funcionamento do forno micro-ondas pode causar interferência na recepção do seu rádio ou TV.
2. Ligue o seu forno a uma tomada elétrica doméstica normal. Certifique-se de que a tensão e a frequência é a mesma que a tensão e frequência indicados na etiqueta de classificação.

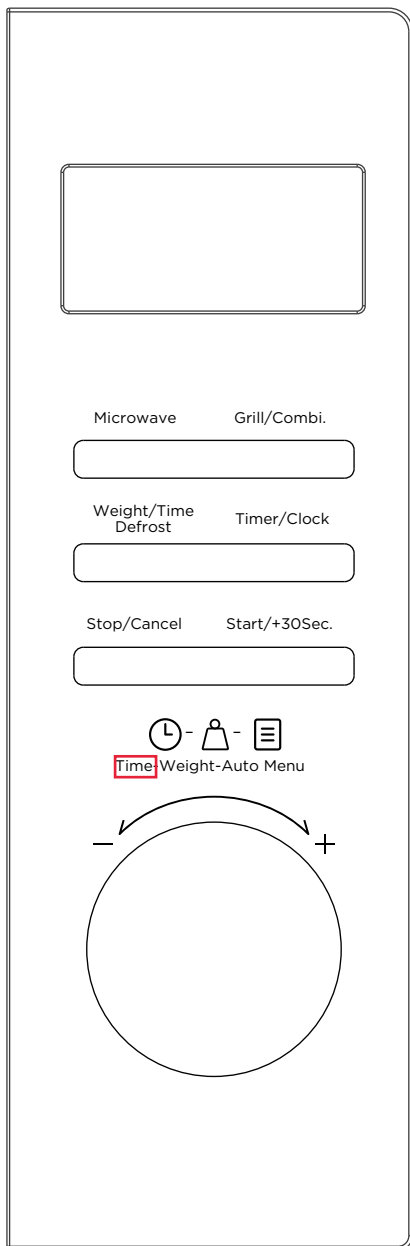
⚠ AVISO

Não instale o forno por cima de uma placa elétrica ou outro eletrodoméstico que produza calor. Se instalado junto ou por cima de uma fonte de calor, o forno pode sofrer danos e a garantia poderá ficar sem efeito.

A superfície acessível pode ficar quente durante o funcionamento.



INSTRUÇÕES DE OPERAÇÃO



PT

Configurar o Relógio

1. Prima a tecla “ Timer/Clock ” duas vezes e surgirá “00:00”.
2. Rode o botão para definir os números da hora. A hora deve estar entre 0-23.
3. Prima “ Timer/Clock ” para confirmar.
4. Rode o botão para definir os números dos minutos. A hora deve estar entre 0-59.
5. Prima “ Timer/Clock ” para confirmar. O relógio está definido.

NOTA

- O relógio tem um mostrador de 24 horas. Se o relógio não for definido, não funcionará quando ligado.
- Para repor o relógio, repita os passos 1 a 5.
- Após o passo 4, se não for premido o “ Timer/Clock ” ou se não houver qualquer operação durante 1 minuto, a configuração não é válida.

Configurar o Temporizador de Cozinha

1. Prima “ Timer/Clock ” uma vez e depois surgirá “0:00” no visor.
2. Rode o botão para definir o tempo desejado. O valor de tempo máximo é de “95:00”.
3. Prima “ Start/+30Sec.” para confirmar. O temporizador inicia a contagem decrescente.

NOTA

Não é possível definir qualquer outro programa durante o temporizador de cozinha.

Cozinhar no micro-ondas

Nível de potência

Estão disponíveis 5 níveis de potência.

Nível de potência	Visor
100%	P100
80%	P80
50%	P50
30%	P30
10%	P10

1. Prima “ Microwave ” uma vez e surgirá “P100” no visor.
2. Prima “ Microwave ” repetidamente ou rode o botão para definir o nível de potência. Estão disponíveis os 5 níveis de potência.
3. Prima “ Start/+30Sec. ” para confirmar.
4. Rode o botão para ajustar o tempo de cozedura. O valor de tempo máximo é de “95:00”.
5. Prima “ Start/+30Sec. ” para iniciar a cozedura.

NOTA

Abriu a porta do forno ou premiu “ Stop/Cancel ” durante o funcionamento interrompe o modo atual.

Cozinhar com grelhador

1. Prima “ Grill/Combi. ” uma vez e surgirá “G-1” no visor.
2. Prima “ Start/+30Sec.” para confirmar.
3. Rode o botão para definir o tempo de cozedura. O valor de tempo máximo é de “95:00”.
4. Prima “ Start/+30Sec.” para iniciar a cozedura.

NOTA

quando tiver decorrido metade do tempo, o alarme apitará para o lembrar de virar os alimentos. Se não realizar qualquer operação, o forno continuará a trabalhar.


Cozinhar combinado

1. Prima “ Grill/Combi. ” duas ou três vezes e surgirá “C-1”, “C-2” no visor.
2. Prima “ Start/+30Sec.” para confirmar.
3. Rode o botão para definir o tempo de cozedura. O valor de tempo máximo é de “95:00”.
4. Prima “ Start/+30Sec.” para iniciar a cozedura.

PT

Função	Visor	Potência do micro-ondas	Potência do grelhador
Comb 1	C-1	55%	45%
Comb 2	C-2	36%	64%


Descongelação por peso

1. Prima “  ” uma vez e no ecrã será exibido “dEF1”.
2. Rode o botão para definir o peso do alimento. O intervalo de pesos é entre 100 e 2000 g.
3. Prima “ Start/+30Sec.” para iniciar a descongelação.

NOTA

Irà ouvir-se a campainha para o lembrar de voltar os alimentos durante a descongelação. Se não realizar qualquer operação, o forno continuará a trabalhar.

Descongelar por Tempo

1. Prima “  ” duas vezes e no ecrã será exibido “dEF2”.
2. Rode o botão para definir o tempo de descongelação desejado. O valor de tempo máximo é de “95:00”.
3. Prima “ Start/+30Sec.” para iniciar a descongelação.

NOTA

- quando tiver decorrido metade do tempo, o alarme apitará para o lembrar de virar os alimentos. Se não realizar qualquer operação, o forno continuará a trabalhar.
- A potência de descongelação é P30 e não pode ser alterada.

Cozedura em várias fases

NOTAS

- É possível definir duas fases de cozedura na função de cozedura em várias fases.
- Se definiu a função de descongelação, irá decorrer automaticamente na primeira fase.
- Temporizador Cozinha, o menu Automático não pode ser definido como uma das várias fases.

Exemplo: Descongele os alimentos durante 5 minutos e, em seguida, cozinhe a 80% da potência do micro-ondas durante 7 minutos.

1. Prima “ $\frac{\text{Weight/Time}}{\text{Defrost}}$ ” duas vezes e no ecrã será exibido “dEF2”.
2. Rode o botão para definir um tempo de descongelação de 5 minutos.
3. Prima “ Microwave ” e surgirá “P100” no visor.
4. Rode o botão para definir o nível de potência de P80. E, em seguida, prima “ Start/+30Sec. ” para confirmar.
5. Rode o botão para definir um tempo de cozedura de 7 minutos.
6. Prima “ Start/+30Sec. ” para iniciar a cozedura.

PT

Cozedura rápida

1. No modo de espera, prima “ Start/+30Sec.” para cozinhar os alimentos com um nível de potência de 100% durante 30 segundos. De cada vez que premir a mesma tecla aumentará 30 segundos. O valor de tempo máximo é de 95 minutos.
2. No modo de espera, rode o botão para a esquerda para definir a cozedura com um nível de potência de 100%. Depois, continue a rodar o botão para ajustar o tempo de cozedura. O valor de tempo máximo é de 95 minutos. Prima “ Start/+30Sec. ” para iniciar a cozedura.

Função de Bloqueio para Crianças

Pode utilizar esta função para impedir que as crianças liguem acidentalmente o forno.

Para ativar o bloqueio:

Em modo de espera, prime e e mantenha premido “ Stop/Cancel ” durante três segundos.

Será emitido um sinal sonoro e surgirá “ [_ _] ” no visor.

Para desativar o bloqueio:

No modo bloqueado, prima e mantenha premido “ Stop/Cancel ” durante três segundos.

Será emitido um sinal sonoro.

Função de consulta

1. Se tiver sido o relógio, a hora atual será exibida durante 3 segundos ao premir a tecla " Timer/Clock " no estado de cozedura.
2. No estado de cozedura de micro-ondas, prima " Microwave " para consultar o nível de potência. Será exibido durante 3 segundos. No estado de grelhador e no estado de cozedura combinada, o modo de consulta pode ser efetuado premindo " Grill/Combi. " .

MENU AUTO

1. Gire o botão para a direita e, em seguida, piscará "A-1" no visor.
2. Continue a girar o botão para escolher o menu que necessita. Estão disponíveis 8 menus automáticos.
3. Prima " Start/+30Sec. " para confirmar.
4. Rode o botão para definir o peso do alimento.
5. Prima " Start/+30Sec. " para iniciar a cozedura.

NOTAS

- Abrir a porta do forno ou premir " Stop/Cancel " durante o funcionamento interrompe o modo atual.
- É necessário rodar primeiro o botão para a direita no modo de espera para selecionar "Auto Menu". Se rodar primeiro o botão para a esquerda, entrará no tempo de cozedura da cozedura rápida.

O gráfico do menu:

Menu	Peso	Visor	Potência
A-1 Reaquecimento automático	200 g	200	P100
	400 g	400	
	600 g	600	
A-2 Vegetais	200 g	200	P100
	300 g	300	
	450 g	450	
A-3 Peixe	150 g	150	C-2
	300 g	300	
	450 g	450	
A-4 Carne	200 g	200	C-2
	300 g	300	
	500 g	500	
A-5 Massa	50 g (com 450 g de água fria)	50	P80
	100 g (com 800 g de água fria)	100	
A-6 Batata	1 (230g)	1	P100
	2	2	
	3	3	
A-7 Pizza	200 g	200	P100
	400 g	400	
A-8 Arroz	200 g	200	P100+P50
	400 g	400	

PT

LIMPEZA E MANUTENÇÃO

Certifique-se de que desliga o eletrodoméstico da fonte de alimentação.

- Limpe o interior do forno utilizando um pano ligeiramente humedecido.
- Limpe os acessórios da forma habitual, com água e sabão.
- A moldura da porta, vedantes e peças das imediações têm de ser limpas cuidadosamente com um pano húmido sempre que estiverem sujas.
- Não utilizar produtos de limpeza abrasivos nem raspadores de metal afiados para limpar o vidro da porta do forno, pois podem riscar a superfície, o que pode provocar estilhaçamento do vidro.
- Dica de limpeza---para uma limpeza simples das paredes do interior do forno nas quais os alimentos cozinhados podem tocar: coloque meio limão numa taça, junte 300 ml de água e aqueça na potência máxima (100%) de micro-ondas durante 10 minutos. Limpe o forno com um pano macio e seco.


RESOLUÇÃO DE PROBLEMAS

Normal	
O forno micro-ondas interfere com a recepção da TV.	A recepção da rádio e TV pode sofrer interferência durante o funcionamento do forno micro-ondas. É semelhante à interferência de pequenos aparelhos elétricos, como a batedeira, o aspirador e a ventoinha elétrica. É normal.
Diminuição da luz do forno	Durante a cozedura a baixa potência no micro-ondas, a luz do forno pode diminuir. É normal.
O vapor acumula-se na porta e nas saídas de ar quente.	Durante a cozedura, os alimentos podem libertar vapor. A maioria deste sairá pelas saídas de ar. mas algum poderá acumular-se num ponto mais fresco, como a porta do forno. É normal.
Forno iniciado acidentalmente sem qualquer alimento no interior.	Não é permitido ligar a unidade sem qualquer alimento no interior. É muito perigoso.

Problema	Causa possível	Solução
O forno não começa a trabalhar.	• Cabo de alimentação não ligado de forma firme.	• Desligue a tomada. E ligue novamente após 10 segundos.
	• Um fusível queimou ou o disjuntor disparou.	• Substitua o fusível ou reponha o disjuntor (reparado por pessoal qualificado da nossa empresa)
	• Problemas com a tomada elétrica.	• Teste a tomada com outros aparelhos elétricos.
O forno não aquece.	• A porta não está bem fechada.	• Feche bem a porta.

PT

MARCAS REGISTRADAS, DIREITOS DE AUTOR E AVISO LEGAL

O logótipo  Midea, marcas nominativas, nome comercial, imagem comercial e todas as suas versões são bens valiosos do Grupo Midea e/ou das suas afiliadas ("Midea"); a Midea é proprietária de marcas comerciais, direitos de autor e outros direitos de propriedade intelectual, e todo o fundo de comércio derivado da utilização de qualquer parte de uma marca comercial Midea. A utilização da marca Midea para fins comerciais sem o consentimento prévio por escrito da mesma pode constituir uma infração à marca ou concorrência desleal em violação da legislação pertinente.

Este manual foi criado pela Midea e a Midea reserva-se todos os direitos de autor do mesmo. Nenhuma entidade ou indivíduo pode utilizar, duplicar, modificar, distribuir no todo ou em parte este manual, ou agrupar ou vender com outros produtos sem o prévio consentimento escrito da Midea.

Todas as funções e instruções descritas estavam atualizadas no momento da impressão deste manual. No entanto, o produto real pode variar devido a funções e desenhos melhorados.

PT

ELIMINAÇÃO E RECICLAGEM

Instruções importantes relativos ao ambiente

Conformidade com a Diretiva REEE e resíduos de equipamentos:

Este produto está em conformidade com a Diretiva REEE da UE (2012/19/UE).

Este produto ostenta o símbolo de classificação relativo à Diretiva de Resíduos de Equipamentos Elétricos e Eletrónicos (REEE).

Este símbolo indica que o produto não deve ser eliminado juntamente com os resíduos domésticos no final da sua vida útil. Os dispositivos usados devem ser entregues no ponto de recolha oficial para reciclagem de dispositivos eletrónicos e elétricos. Para encontrar estes pontos de recolha, contacte as autoridades locais ou o revendedor onde adquiriu o produto. Cada lar desempenha um papel importante na recuperação e reciclagem de eletrodomésticos antigos. A eliminação correta do seu eletrodoméstico usado ajuda a prevenir potenciais consequências negativas para o ambiente e para a saúde humana.



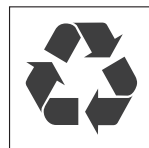
Conformidade com a Diretiva 2011/65/UE

PT

O produto que adquiriu está em conformidade com a Diretiva 2011/65/UE, relativa à restrição do uso de determinadas substâncias perigosas em equipamentos elétricos e eletrónicos. Não contém materiais nocivos e proibidos especificados na diretiva.

Informação sobre a embalagem

Os materiais de embalagem do produto são fabricados a partir de materiais recicláveis, em conformidade com os nossos Regulamentos Nacionais do Ambiente. Não elimine os materiais de embalagem juntamente com os resíduos domésticos ou outros resíduos. Entregue-os nos pontos de recolha de material de embalagem designados pelas autoridades locais.



AVISO SOBRE A PROTEÇÃO DE DADOS

Para a prestação dos serviços acordados com o cliente, aceitamos cumprir sem restrições todas as disposições da lei em matéria de proteção de dados aplicável, em conformidade com os países acordados nos quais os serviços ao cliente serão prestados, bem como, quando aplicável, o Regulamento Geral sobre Proteção de Dados (RGPD) da UE.

Geralmente, o nosso processamento de dados serve para cumprir a nossa obrigação sob contrato consigo e por motivos de segurança do produto, para salvaguardar os seus direitos em relação a questões de garantia e registo do produto. Em alguns casos, mas apenas se for assegurada uma proteção de dados adequada, os dados pessoais poderão ser transferidos para destinatários localizados fora do Espaço Económico Europeu.

São fornecidas mais informações mediante pedido. Poderá contactar o nosso Responsável pela Proteção de Dados através do endereço **MideaDPO@midea.com**. Para exercer os seus direitos, tais como o direito de objetar ao processamento dos seus dados pessoais para fins de marketing direto, queira contactar-nos através de **MideaDPO@midea.com**. Para encontrar mais informações, siga o código QR.

PT



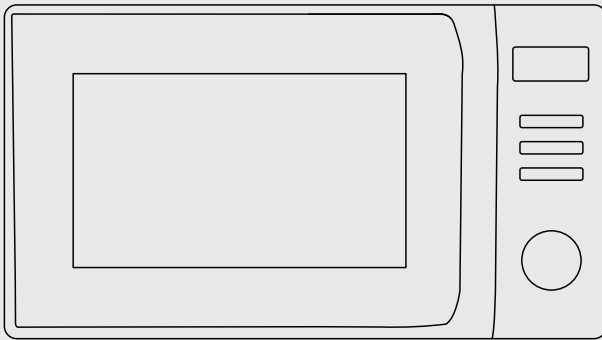
make yourself at home

PT



www.midea.com

© Midea 2024 all rights reserved



CZ

MIKROVLNNÁ TROUBA

NÁVOD K POUŽITÍ

AG20CF2E
AG20CF2EBK

Varovná upozornění: Než začnete tento výrobek používat, pečlivě si přečtěte tento návod a uschovejte jej pro budoucí použití. Design a specifikace se mohou změnit bez předchozího upozornění za účelem vylepšení produktu. Podrobnosti vám poskytne váš prodejce nebo výrobce.

Výše uvedené schéma slouží pouze pro referenci. Jako normu berte vzhled skutečného výrobku.

DĚKOVNÝ DOPIS

Děkujeme, že jste si vybrali společnost Midea! Před zahájením používání nového výrobku Midea si důkladně přečtěte tento návod, abyste se ujistili, že víte, jak bezpečně ovládat vlastnosti a funkce, které váš nový spotřebič nabízí.

OBSAH

PODĚKOVÁNÍ	CZ-01
BEZPEČNOSTNÍ POKYNY	CZ-02
TECHNICKÉ ÚDAJE	CZ-12
PŘEHLED VÝROBKU	CZ-13
INSTALACE VÝROBKU	CZ-15
NÁVOD K OBSLUZE	CZ-16
ČIŠTĚNÍ A ÚDRŽBA	CZ-22
ŘEŠENÍ PROBLÉMŮ	CZ-23
OCHRANNÉ ZNÁMKY, AUTORSKÁ PRÁVA A PRÁVNÍ PROHLÁŠENÍ	CZ-24
LIKVIDACE A RECYKLACE	CZ-25
PROHLÁŠENÍ O OCHRANĚ OSOBNÍCH ÚDAJŮ	CZ-26

BEZPEČNOSTNÍ POKYNY

Zamýšlené použití

Následující bezpečnostní pokyny mají zabránit nepředvídatelným rizikům nebo škodám způsobeným nebezpečným nebo nesprávným provozem spotřebiče. Při dodání zkontrolujte obal a spotřebič a ujistěte se, že je vše v pořádku, abyste zajistili bezpečný provoz. Zjistíte-li nějaké poškození, obraťte se na prodejce nebo distributora. Upozorňujeme, že úpravy nebo změny na spotřebiči nejsou z důvodu vaší bezpečnosti povoleny. Při jiném použití než je zamýšlené použití může dojít k ohrožení a ztrátě záručních nároků.

Vysvětlení symbolů



Nebezpečí

Tento symbol upozorňuje na nebezpečí ohrožení života a zdraví osob v důsledku extrémně hořlavého plynu.



Varování před elektrickým napětím

Tento symbol označuje nebezpečí ohrožení života a zdraví osob vlivem napětí.



Varování

Signální slovo označuje nebezpečí se střední mírou rizika, které může způsobit smrt nebo vážné zranění, pokud se mu nevyhnete.



Upozornění

Signální slovo označuje nebezpečí s nízkým stupněm rizika, které může způsobit lehké nebo středně těžké zranění, pokud se mu nevyhnete.



Pozor

Signální slovo označuje důležitou informaci (např. škodu na majetku), ale ne nebezpečí.



Dodržujte pokyny

Tento symbol označuje, že servisní technik smí tento spotřebič obsluhovat a udržovat pouze v souladu s návodem k obsluze.

CZ

Před použitím/uvedením přístroje do provozu si pečlivě a pozorně přečtete tento návod k obsluze a uschovejte jej v bezprostřední blízkosti místa instalace nebo přístroje pro pozdější použití!

Bezpečnostní opatření k zabránění možnému vystavení nadměrnému množství mikrovlnné energie

- a. Nepokoušejte se tuto troubu používat s otevřenými dvířky, protože to může mít za následek škodlivé vystavení mikrovlnné energii. Je důležité, abyste nepoškodili bezpečnostní západky ani je manipulací neporušili.
- b. Mezi přední část trouby a dvířka neumísťujte žádné předměty a nedovolte, aby se na površích těsnění nahromadily nečistoty nebo zbytky čisticích prostředků.
- c. **VAROVÁNÍ:** Pokud dojde k poškození dvířek nebo těsnění dvířek, nesmí se trouba používat, dokud ji neopraví odborně způsobilá osoba.

Dodatek

Pokud není spotřebič udržován v řádné čistotě, může dojít ke znehodnocení jeho povrchu, což může ovlivnit životnost spotřebiče a vést k nebezpečným situacím.

CZ

▲ VAROVÁNÍ

K zabránění vzniku požáru, úrazu elektrickým proudem, zranění osob nebo vystavení nadměrnému množství mikrovlnné energie při používání spotřebiče dodržujte základní bezpečnostní opatření včetně následujících:

- Přečtěte si a dodržujte pokyny uvedené v části: „BEZPEČNOSTNÍ OPATŘENÍ K ZABRÁNĚNÍ MOŽNÉMU VYSTAVENÍ NADMĚRNÉMU MNOŽSTVÍ MIKROVLNNÉ ENERGIE“.
- Tento spotřebič smí používat děti ve věku 8 let a starší, osoby s omezenými fyzickými, smyslovými nebo duševními schopnostmi nebo nedostatkem zkušeností a vědomostí, pokud jsou pod dohledem nebo pokud byly poučeny o bezpečném používání spotřebiče a porozuměly možným rizikům. Děti si se spotřebičem nesmí hrát. Čištění a uživatelskou údržbu zařízení nesmí provádět děti bez dozoru.
- Spotřebič a jeho kabel uchovávejte mimo dosah dětí mladších 8 let.
- Pokud je napájecí kabel poškozený, musí ho vyměnit výrobce nebo jeho zákaznický servis či osoba s příslušnou kvalifikací, aby se předešlo vzniku nebezpečí.
- **VAROVÁNÍ:** Před výměnou žárovky se ujistěte, že je spotřebič vypnutý, abyste předešli možnosti úrazu elektrickým proudem.

- **VAROVÁNÍ:** Provádění jakýchkoli úkonů servisu nebo opravy, které zahrnují sejmutí krytu poskytujícího ochranu před vystavením mikrovlnné energii, je pro jinou než kompetentní osobu nebezpečné.
- **VAROVÁNÍ:** Tekutiny a jiné potraviny se nesmí ohřívat v uzavřených nádobách, protože hrozí jejich výbuch.
- Při ohřívání potravin v plastových nebo papírových nádobách sledujte troubu kvůli možnosti vznícení.
- Používejte pouze nádobí, které je vhodné pro použití v mikrovlnné troubě.
- Vychází-li z trouby kouř, spotřebič vypněte nebo jej odpojte z elektrické zásuvky a ponechte dvířka zavřená, aby se případné plameny uhasily.
- Mikrovlnný ohřev nápojů může mít za následek opožděný var a vzkypění, proto je třeba při manipulaci s nádobou dbát zvýšené opatrnosti.
- Obsah kojeneckých lahví a sklenic s dětskou výživou je třeba před konzumací zamíchat nebo protřepat a zkontrolovat jeho teplotu, aby nedošlo k popálení.
- Vejce ve skořápce a celá vejce uvařená natvrdo se nesmí ohřívat v mikrovlnných troubách, protože mohou explodovat, a to i po skončení mikrovlnného ohřevu.
- Troubu je třeba pravidelně čistit a odstraňovat z ní případné zbytky potravin.

- Neudržování trouby v čistém stavu by mohlo vést ke zhoršení kvality povrchu, což by mohlo nepříznivě ovlivnit životnost spotřebiče a případně vést k nebezpečným situacím.
- Spotřebič nesmí být namontován za dvířky kuchyňské linky, aby se zabránilo přehřátí. (Toto omezení se nevztahuje na spotřebiče s dvířky kuchyňské linky.)
- Používejte pouze teplotní sondu doporučenou pro tuto troubu. (pro trouby s možností použití teplotní sondy).
- Mikrovlnná trouba se nesmí umístit do skříňky, pokud nebyla pro toto umístění testována.
- Mikrovlnná trouba musí být provozována s otevřenými dvířky kuchyňské linky. (Platí pro trouby, které mají před spotřebičem dvířka kuchyňské linky.)
- Tento spotřebič je určen k použití v domácnosti a k podobným účelům, jako jsou:
 - kuchyňské prostory zaměstnanců v obchodech, kancelářích a jiných pracovních prostředích;
 - využití klienty v hotelech, motelech nebo jiných typech prostředí poskytujících ubytování;
 - na statcích a farmách;
 - ubytování poskytující nocleh se snídaní.
- Mikrovlnná trouba je určena k ohřevu potravin a nápojů. Sušení potravin nebo oděvů a ohřívání nahřívacích polštářků, bačkor, houbiček na mytí, vlhkých hadříků a podobně může vést k nebezpečí zranění, vznícení nebo požáru.
- Při mikrovlnném ohřevu není dovoleno používat kovové nádoby na potraviny a nápoje.
- Spotřebič se nesmí čistit parním čističem.

- Spotřebič je určen k používání jako volně stojící.
- Zadní část spotřebičů je nutné umístit směrem ke zdi.
- Spotřebiče nejsou určeny k provozu na externí časovač nebo samostatný systém dálkového ovládání.
- Teplota přístupných povrchů může být za provozu spotřebiče vysoká.
- VAROVÁNÍ: Pokud je spotřebič provozován v kombinovaném režimu, měly by děti troubu používat pouze pod dohledem dospělé osoby kvůli teplotám, které v troubě vznikají.

**PEČLIVĚ SI POKYNY PŘEČTĚTE A USCHOVEJTE JE
PRO POZDĚJŠÍ POUŽITÍ**

Snížení nebezpečí zranění osob montáží s uzemněním

⚠ NEBEZPEČÍ

Nebezpečí úrazu elektrickým proudem
Dotknete-li se některých vnitřních součástí, může dojít k vážnému zranění osob nebo smrti. Tento spotřebič nerozebírejte.

⚠ VAROVÁNÍ

Nebezpečí úrazu elektrickým proudem
Nesprávné používání zástrčky s uzemněním může vést k úrazu elektrickým proudem. Spotřebič nezapojujte do zásuvky, dokud není správně namontován a uzemněn.

Tento spotřebič musí být uzemněn. V případě elektrického zkratu snižuje uzemnění nebezpečí úrazu elektrickým proudem tím, že poskytuje únikový vodič pro elektrický proud.

Tento spotřebič je vybaven kabelem se zemnicím vodičem a zemnicí zástrčkou. Zástrčka musí být zapojena do zásuvky, která je řádně namontována a uzemněna.

Pokud pokynům k uzemnění zcela nerozumíte nebo pokud máte pochybnosti o tom, zda je spotřebič správně uzemněn, obraťte se na kvalifikovaného elektrikáře nebo servisního pracovníka.

Pokud je nutné použít prodlužovací kabel, použijte pouze třívodičový prodlužovací kabel.

- Se spotřebičem se dodává krátký napájecí kabel, aby se snížilo riziko plynoucí z možného zamotání kabelu nebo klopýtnutí přes delší kabel.
- Používá-li se sada delších kabelů nebo prodlužovací kabel, musí být dodržena následující opatření:

- Uvedené elektrické údaje sady kabelů nebo prodlužovacího kabelu musí přinejmenším odpovídat elektrickým údajům spotřebiče.
- Prodlužovací kabel musí být s uzemněním a musí být třívodičový.
- Dlouhý kabel musí být umístěn tak, aby nevisel přes horní hranu linky nebo stolu, kde by za něj mohly nechtěně zatáhnout nebo o něj zakopnout děti.

Nádobí

UPOZORNĚNÍ

Nebezpečí zranění osob

Provádění jakýchkoli úkonů servisu nebo opravy, které zahrnují sejmutí krytu poskytujícího ochranu před vystavením mikrovlnné energii, je pro jinou než kompetentní osobu nebezpečné. Přečtěte si pokyny v částech „Materiály, které lze v mikrovlnné troubě používat“ a „Materiály, které se v mikrovlnné troubě nesmí používat“. Může se stát, že některé nekovové nádobí není pro mikrovlnný ohřev bezpečné používat. V případě pochybností můžete dané nádobí otestovat podle níže uvedeného postupu.

Test nádobí:

- Vložte nádobu vhodnou do mikrovlnné trouby s 1 šálkem studené vody (250 ml) spolu s daným nádobím do trouby.
- Vařte na maximální výkon po dobu 1 minuty.
- Nádobí opatrně prohmatejte. Pokud je prázdné nádobí teplé, nepoužívejte jej k mikrovlnnému vaření.
- Nepřekračujte dobu vaření 1 minuta.

Materiály, které lze v mikrovlnné troubě používat

Nádobí	Poznámky
Zapékací mísa	Postupujte podle pokynů výrobce. Dno zapékací mísy musí být nejméně 5 mm nad otočným talířem. Nesprávné použití může způsobit rozbití otočného talíře.
Stolní nádobí	Používejte pouze nádobí, které lze v mikrovlnné troubě používat. Postupujte podle pokynů výrobce. Nepoužívejte prasklé ani oprýskané nádobí.
Skleněné sklenice	Vždy odstraňte víčko. Používejte pouze k ohřevu potravin, dokud není potravina teplá. Většina skleněných sklenic není odolná proti vyšším teplotám a sklenice by mohly prasknout.
Skleněné nádobí	Pouze nádobí odolné proti vyšším teplotám vhodné pro troubu. Ujistěte se, že nemá kovové ozdoby. Nepoužívejte prasklé ani oprýskané nádobí.
Sáčky na vaření v troubě	Postupujte podle pokynů výrobce. Neuzavírejte je kovovou sponou. Prořízněte v nich otvory, aby mohla unikat pára.
Papírové talíře a šálky	Používejte pouze pro krátké vaření a ohřívání. Nenechávejte troubu během vaření bez dozoru.
Papírové utěrky	Používejte k zakrytí pokrmů při ohřívání a k absorpci tuku. Používejte pouze pod dohledem pro krátké vaření.
Pečící papír	Používejte jako kryt, abyste zabránili rozstříkávání, nebo jako obal pro vaření v páře.
Plastové	Používejte pouze nádobí, které lze v mikrovlnné troubě používat. Postupujte podle pokynů výrobce. Měly by být označeny jako „Lze používat v mikrovlnné troubě“. Některé plastové nádoby měknou, jak se jídlo uvnitř zahřívá. „Varné sáčky“ a pevně uzavřené plastové sáčky by se měly proříznout, propíchnout nebo v nich jinak zajistit odvod vzduchu dle pokynů uvedených na balení.
Plastové obaly	Používejte pouze nádobí, které lze v mikrovlnné troubě používat. Používejte je k zakrytí potravin během jejich vaření, aby se v nich udržela vlhkost. Zabraňte kontaktu plastového obalu s potravinami.
Teploměry	Používejte pouze teploměry, které lze v mikrovlnné troubě používat (teploměry do masa a cukrářské teploměry).
Voskovaný papír	Používá se k zabránění vystříknutí potravin a k zachování vlhkosti.

Materiály, které se v mikrovlnné troubě nesmí používat

Nádobí	Poznámky
Hliníkové tácy	Mohou způsobit vznik elektrického oblouku. Přendejte potraviny do nádobí, které lze v mikrovlnné troubě používat.
Krabice na potraviny s kovovou rukojetí	Mohou způsobit vznik elektrického oblouku. Přendejte potraviny do nádobí, které lze v mikrovlnné troubě používat.
Kovové náčiní nebo náčiní s kovovým okrajem	Kov chrání potraviny před mikrovlnnou energií. Dekor s obsahem kovu může způsobit vznik elektrického oblouku.
Kovové vázací drátky	Mohou v troubě způsobit vznik elektrického oblouku a požáru.
Papírové sáčky	Mohou v troubě způsobit vznik požáru.
Pěnový plast	Pěnový plast se může při vystavení vysokým teplotám roztavit a při kontaktu s tekutinou ji kontaminovat.
Dřevo	Dřevo se při použití v mikrovlnné troubě může vysušit a rozštěpit se nebo prasknout.

TECHNICKÉ ÚDAJE

MODEL	AG20CF2E / AG20CF2EBK
JMENOVITÉ NAPĚTÍ	230 V-
JMENOVITÁ FREKVENCE	50 Hz
JMENOVITÝ VSTUPNÍ VÝKON	1 050 W
JMENOVITÝ VÝSTUPNÍ VÝKON (MIKROVLNY)	700 W
JMENOVITÝ VSTUPNÍ VÝKON (GRIL)	1 000 W

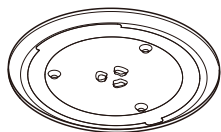
PŘEHLED VÝROBKU

Názvy součástí a příslušenství trouby

(Pokud bude mezi spotřebičem a ilustracemi v tomto návodu jakýkoli rozdíl, bude platit to, co nabízí výrobek.)

Vyjměte troubu a všechny materiály z krabice a vnitřního prostoru trouby.

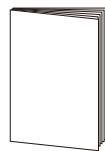
Trouba se dodává s následujícím příslušenstvím:



Skleněný podnos



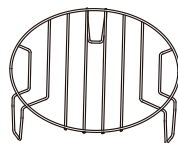
Sestava otočného kruhu



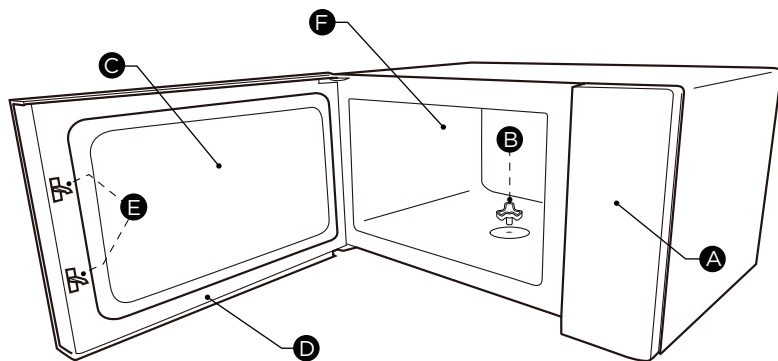
Návod k obsluze



Hřídel otočného talíře



Grilovací rošt (nelze použít při mikrovlnné funkci a musí být umístěn na skleněném podnosu)



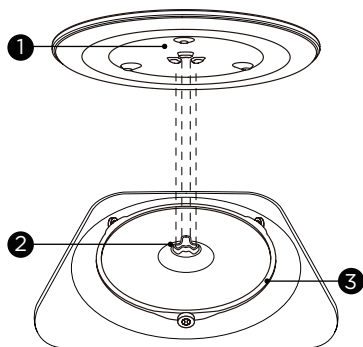
- A) Ovládací panel
- B) Hřídel otočného talíře
- C) Pozorovací okénko

- D) Sestava dvířek
- E) Systém bezpečnostních západek
- F) Prostor trouby

CZ

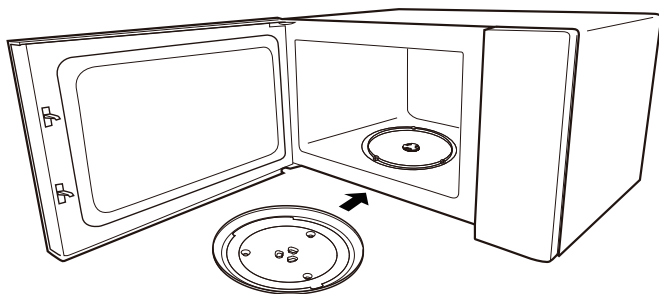
Montáž otočného talíře

Čištění vnitřního prostoru a vložení otočného talíře. U montáži nového výrobku se ujistěte, že jste z hřídele otočného talíře odstranili veškerý obalovaný materiál a přepravní pásky. Před prvním použitím spotřebiče k přípravě pokrmu bude nutné položit otočný talíř správně na místo. Je nutné vyčistit vnitřní prostor a příslušenství.



Jak položit otočný talíř na místo:

1. Položte sestavu otočného kruhu ③ do prohlubně ve vnitřním prostoru.
2. Položte skleněný podnos ① na sestavu otočného kruhu ③. Vložte zakřivené výstupky ve středu dna skleněného podnosu mezi tři paprsky hřídele. Ujistěte se, že skleněný podnos ① zapadne do hřídele otočného talíře ② ve středu dna vnitřního prostoru. Kolečka hřídele by se měla přesně vejít do prohlubně otočného talíře.



CZ

POZNÁMKY

- Spotřebič nikdy nepoužívejte bez otočného talíře. Zkontrolujte, zda správně zapadl. Otočným talířem lze otáčet ve směru i proti směru hodinových ručiček.
- Skleněný podnos nikdy neumísťujte vzhůru nohama. Skleněný podnos se musí používat vždy.
- Při vaření se musí vždy používat skleněný podnos i sestava otočného kruhu.
- Všechny potraviny a nádoby s potravinami se při vaření vždy pokládají na skleněný podnos.
- Nikdy neomezujte pohyb otočného talíře.
- Pokud skleněný podnos nebo sestava otočného kruhu praskne nebo se rozbije, obraťte se na nejbližší autorizované servisní středisko.

INSTALACE VÝROBKU

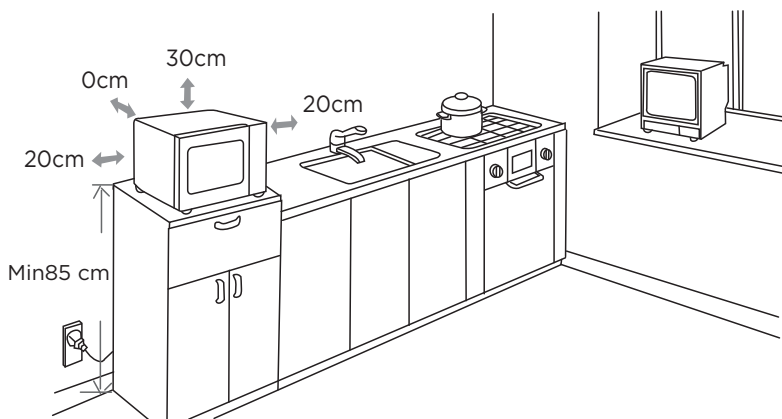
Montáž na desku kuchyňské linky

Sejměte veškerý obalový materiál a vyjměte příslušenství. Zkontrolujte, zda trouba nevykazuje známky nějakého poškození – zda se například na povrchu nenachází důlky nebo zda nejsou rozbitá dvířka. Pokud je trouba poškozena, nemontujte ji.

Box: Sejměte veškerou ochrannou fólii z povrchu skříňky mikrovlnné trouby. Nesnímejte vlnovodný kryt, který je připevněn ve vnitřním prostoru mikrovlnné trouby, aby chránil magnetron.

Montáž

1. Vyberte rovný povrch, který poskytuje dostatek prostoru k zajištění přívodu a odvodu vzduchu ventilačních otvorů.



- Minimální montážní výška je 85 cm.
 - Zadní část spotřebiče je nutné umístit směrem ke zdi. Ponechte minimálně 30 cm volného místa nad troubou, minimálně 20 cm musí zůstat mezi troubou a jakoukoli přiléhající zdi.
 - Neodnímejte nožičky ze spodní části trouby.
 - Pokud by došlo k blokování přívodu nebo odvodu vzduchu v otvorech, mohlo by dojít k poškození trouby.
 - Umístěte troubu co nejdále od rádií a televizorů. Provoz mikrovlnné trouby může způsobovat rušení příjmu rádiového nebo televizního signálu.
2. Zapojte troubu do standardní zásuvky v domácnosti. Zkontrolujte, zda napětí a frekvence odpovídají údajům uvedeným na typovém štítku.

⚠ VAROVÁNÍ

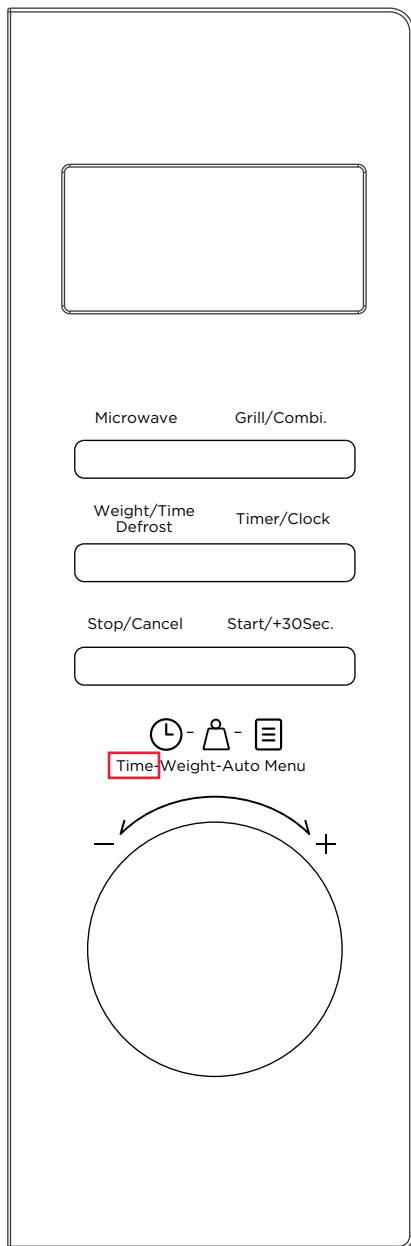
Nemontujte troubu v dosahu sporáku ani jiného spotřebiče generujícího teplo. Pokud ji namontujete v blízkosti zdroje tepla nebo nad ním, mohlo by dojít k poškození trouby a zrušení platnosti záruky.

Přístupný povrch se může během provozu silně zahřát.



NÁVOD K OBSLUZE

CZ



Nastavení hodin

1. Stiskněte dvakrát „Timer/Clock“, zobrazí se „00:00“.
2. Otáčením voliče nastavte hodinu. Hodina by měla být v rozsahu 0–23.
3. Stisknutím „Timer/Clock“ volbu potvrďte.
4. Otáčením voliče nastavte minutu. Minuta by měla být v rozsahu 0–59.
5. Stisknutím „Timer/Clock“ volbu potvrďte. Hodiny jsou nastaveny.

POZNÁMKA

- Hodiny zobrazují čas ve 24hodinovém formátu. Pokud nejsou hodiny nastaveny, nebudou při zapnutí napájení fungovat.
- Chcete-li je resetovat, opakujte prosím krok 1 až krok 5.
- Pokud po kroku 4 nestisknete „Timer/Clock“ nebo po dobu 1 minuty neprovedete žádnou operaci,
- nastavení nebude platné.

Nastavení kuchyňského časovače

1. Stiskněte jednou „Timer/Clock“, zobrazí se „0:00“.
2. Otáčením voliče nastavte požadovaný čas. Maximální hodnota času je „95:00“.
3. Stisknutím „Start/+30Sec.“ volbu potvrďte. Časovač začne odpočítávat.

POZNÁMKA

Během činnosti kuchyňského časovače nelze nastavit žádný jiný program.

CZ

Mikrovlnné vaření

Úroveň výkonu

Je k dispozici 5 úrovní výkonu.

Úroveň výkonu	Displej
100 %	P100
80 %	P80
50 %	P50
30 %	P30
10 %	P10

1. Stiskněte jednou „Microwave“, zobrazí se „P100“.
2. Opakovaným mačkáním „Microwave“ nebo otočením voliče nastavíte úroveň výkonu. K dispozici je 5 úrovní výkonu.
3. Stisknutím „Start/+30Sec.“ volbu potvrďte.
4. Otáčením voliče upravte čas vaření. Maximální hodnota času je „95:00“.
5. Stisknutím „Start/+30Sec.“ zahajte vaření.

POZNÁMKA

Když za provozu otevřete dveře trouby nebo stisknete „ Stop/Cancel “, přeruší se aktuální režim.

Grilování

1. Stiskněte jednou „ Grill/Combi.“, zobrazí se „G-1“.
2. Stisknutím „ Start/+30Sec.“ volbu potvrďte.
3. Otáčením voliče nastavte čas vaření. Maximální hodnota času je „95:00“.
4. Stisknutím „ Start/+30Sec.“ zahajte vaření.

POZNÁMKA

Jakmile uplyne polovina nastaveného času, zazní zvukový signál, který vám připomene, abyste otočili pokrm. Pokud neprovedete žádnou operaci, bude trouba pokračovat ve své činnosti.

Kombinované vaření

1. Stiskněte dvakrát, nebo třikrát „ Grill/Combi.“, zobrazí se „C-1“, nebo „C-2“.
2. Stisknutím „ Start/+30Sec.“ volbu potvrďte.
3. Otáčením voliče nastavte čas vaření. Maximální hodnota času je „95:00“.
4. Stisknutím „ Start/+30Sec.“ zahajte vaření.

Funkce	Displej	Mikrovlnný výkon	Výkon grilu
Kombi. 1	C-1	55 %	45 %
Kombi. 2	C-2	36 %	64 %

Rozmrazování podle hmotnosti

1. Stiskněte jednou „ Weight/Time Defrost “, na obrazovce se zobrazí „dEF1“.
2. Otáčením voliče nastavte hmotnost pokrmu. Rozsah hmotnosti je 100–2 000 g.
3. Stisknutím „Start/+30Sec.“ zahajte rozmrazování.

POZNÁMKA

Během rozmrazování zazní zvukový signál, který vám připomene, abyste otočili pokrm. Pokud neprovedete žádnou operaci, bude trouba pokračovat ve své činnosti.

Rozmrazování podle času

1. Stiskněte dvakrát „ Weight/Time Defrost “, na obrazovce se zobrazí „dEF2“.
2. Otáčením voliče nastavte požadovanou dobu rozmrazování. Maximální hodnota času je „95:00“.
3. Stisknutím „ Start/+30Sec.“ zahajte rozmrazování.

POZNÁMKA


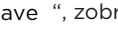


- Jakmile uplyne polovina nastaveného času, zazní zvukový signál, který vám připomene, abyste otočili pokrm. Pokud neprovedete žádnou operaci, bude trouba pokračovat ve své činnosti.
- Výkon pro rozmrazování je P30 a nelze jej změnit.

Vícefázové vaření

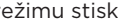

POZNÁMKY

- Při vícefázovém vaření lze nastavit dvě fáze vaření.
- Pokud nastavíte funkci rozmrazování, spotřebič bude automaticky pracovat v první fázi.
- Během jedné z více fází nelze nastavit kuchyňský časovač a automatickou nabídku.

Příklad: Chcete rozmrazovat pokrm 5 minut a poté jej vařit na 80 % mikrovlnného výkonu po dobu 7 minut.

1. Stiskněte dvakrát „  “, na obrazovce se zobrazí „DEF2“.
2. Otáčením voliče nastavte požadovanou dobu rozmrazování na 5 minut.
3. Stiskněte „  “, zobrazí se „P100“.
4. Otáčením voliče nastavte úroveň výkonu na P80. Stisknutím „  “ potvrďte volbu.
5. Otáčením voliče nastavte čas vaření na 7 minut.
6. Stisknutím „  “ zahajte vaření.



Rychlé vaření

1. V pohotovostním režimu stiskněte „  “. Pokrm se bude vařit na 100% výkon po dobu 30 sekund. Každé stisknutí tohoto tlačítka prodlouží dobu o 30 sekund. Maximální doba je 95 minut.
2. Pokud v pohotovostním režimu otočíte voličem doleva, nastavíte čas vaření se 100% výkonem. Následným otáčením voliče upravíte dobu vaření. Maximální doba je 95 minut. Stisknutím „  “ zahajte vaření.


Funkce zámku proti manipulaci dětmi

Pomocí této funkce můžete dětem zabránit omylem zapnout troubu.

Aktivace zámku:

V pohotovostním režimu stiskněte a na tři sekundy podržte „  “. Zazní zvukový signál a zobrazí se „  “.

Deaktivace zámku:

V zamknutém stavu stiskněte a na tři sekundy podržte „  “. Zazní zvukový signál.

Funkce zobrazení informací

1. Pokud byly nastaveny hodiny, stisknutím „Timer/Clock“ na tři sekundy během vaření se zobrazí aktuální čas.
2. Během mikrovlnného vaření lze stisknutím „Microwave“ zjistit úroveň výkonu. Zobrazí se na tři sekundy. Při grilování a kombinovaném vaření lze informace získávat stisknutím „Grill/Combi.“.

Automatická nabídka

1. Otočte volič doprava, bude blikat „A-1“.
2. Dalším otáčením voliče zvolíte požadovanou nabídku. Je k dispozici 8 automatických nabídek.
3. Stisknutím „Start/+30Sec.“ volbu potvrďte.
4. Otáčením voliče nastavte hmotnost pokrmu.
5. Stisknutím „Start/+30Sec.“ zahajte vaření.

POZNÁMKY

- Když za provozu otevřete dveře trouby nebo stisknete „ Stop/Cancel “, přeruší se aktuální režim.
- Nejprve je zapotřebí v pohotovostním režimu otočit voličem doprava, aby se vybrala „Automatická nabídka“. Když voličem otočíte nejprve doleva, budete zadávat dobu rychlého vaření.

Tabulka nabídky:

Nabídka	Hmotnost	Displej	Výkon
A-1 Automatické ohřívání	200 g	200	P100
	400 g	400	
	600 g	600	
A-2 Zelenina	200 g	200	P100
	300 g	300	
	450 g	450	
A-3 Ryba	150 g	150	C-2
	300 g	300	
	450 g	450	
A-4 Maso	200 g	200	C-2
	300 g	300	
	500 g	500	
A-5 Těstoviny	50 g (se 450 g studené vody)	50	P80
	100 g (s 800 g studené vody)	100	
A-6 Brambory	1(230 g)	1	P100
	2	2	
	3	3	
A-7 Pizza	200 g	200	P100
	400 g	400	
A-8 Rýže	200 g	200	P100+P50
	400 g	400	

CZ

ČIŠTĚNÍ A ÚDRŽBA

Nezapomeňte spotřebič odpojit od elektrické sítě.

- Po použití vyčistěte vnitřní prostor trouby mírně navlhčeným hadříkem.
- Příslušenství omyjte obvyklým způsobem ve vodě se saponátem.
- Rám dvířek, těsnění a sousední části je třeba při znečištění pečlivě očistit vlhkým hadříkem.
- K čištění skla dvířek trouby nepoužívejte drsné abrazivní čisticí prostředky ani ostré kovové škrabky, protože mohou poškrábat povrch, což může mít za následek rozbití skla.
- Tip pro čištění: Ke snazšímu čištění stěn vnitřního prostoru, kterých se mohou dotýkat připravované potraviny: Dejte do misky půlku citrónu, přidejte 300 ml vody a zapněte na 10 minut mikrovlnný výkon na 100 %. Troubu otřete měkkým suchým hadříkem.


ŘEŠENÍ PROBLÉMŮ

Normální	
Mikrovlnná trouba ruší příjem televizního signálu	Při provozu mikrovlnné trouby může docházet k rušení rozhlasového a televizního příjmu. Rušení je podobné jako u jiných drobných elektrických spotřebičů v domácnosti, jako je mixér, vysavač a elektrický ventilátor. Jedná se o normální jev.
Ztlumené světlo trouby	Při mikrovlnném vaření s nízkým výkonem může být světlo trouby ztlumené. Jedná se o normální jev.
Hromadění páry na dvířkách, horký vzduch vycházející z větracích otvorů	Při vaření může z jídla vycházet pára. Většina se dostane ven větracími otvory. Část se však může hromadit na chladném místě, jako jsou dvířka trouby. Jedná se o normální jev.
Trouba byla omylem spuštěna bez vloženého jídla.	Je zakázáno spouštět spotřebič bez potravin. Je to velmi nebezpečné.

Potíž	Možná příčina	Náprava
Troubu nelze spustit.	<ul style="list-style-type: none">Napájecí kabel není pevně zapojen.	<ul style="list-style-type: none">Odpojte zástrčku. Po 10 sekundách ji znovu zapojte.
	<ul style="list-style-type: none">Shořela pojistka nebo vypadává elektrický jistič.	<ul style="list-style-type: none">Vyměňte pojistku nebo resetujte elektrický jistič (opravu musí provést profesionální technik naší společnosti).
	<ul style="list-style-type: none">Dochází k potížím se zásuvkou.	<ul style="list-style-type: none">Vyzkoušejte zásuvku s jinými elektrickými spotřebiči.
Trouba neohřívá.	<ul style="list-style-type: none">Dvířka nejsou dobře zavřená.	<ul style="list-style-type: none">Dobře zavřete dvířka.

CZ

OCHRANNÉ ZNÁMKY, AUTORSKÁ PRÁVA A PRÁVNÍ PROHLÁŠENÍ

Logo  Midea, slovní značky, název firmy, firemní vzhled a všechny verze z toho pocházející jsou cenná aktiva společnosti Midea Group anebo jejich dceřiných společností („Midea“), ke kterým společnost Midea vlastní ochranné známky, autorská práva a další práva duševního vlastnictví a také veškerou dobrou pověst odvozenou z používání jakékoli části ochranné známky Midea. Používání ochranné známky Midea ke komerčním účelům bez předchozího písemného souhlasu společnosti Midea může představovat porušení ochranné známky nebo neférovou soutěž porušující příslušné zákony.

Tento návod vytvořila společnost Midea a společnost Midea si vyhrazuje veškerá z toho pramenící autorská práva. Žádná entita nebo jednotlivec nesmí používat, duplikovat, pozměňovat ani distribuovat celý tento návod ani žádnou jeho část ani jej připojovat k jiným výrobkům nebo ho s nimi prodávat bez předchozího písemného souhlasu společnosti Midea.

Veškeré popisované funkce a pokyny byly aktuální v době tisku tohoto návodu. Skutečný výrobek se však může díky vylepšováním funkcí a designů lišit.

LIKVIDACE A RECYKLACE

Důležité pokyny pro ochranu životního prostředí

Soulad se směrnicí o odpadních elektrických a elektronických zařízeních a likvidace odpadního výrobku:

Tento výrobek je v souladu se směrnicí EU o odpadních elektrických a elektronických zařízeních (2012/19/EU). Tento výrobek nese klasifikační symbol pro odpadní elektrické a elektronické zařízení (OEEZ).

Tento symbol označuje, že tento výrobek nesmí být po skončení své životnosti likvidován společně s ostatním domovním odpadem. Použité zařízení musí být vráceno do oficiálního sběrného místa, které se zabývá recyklací elektrických a elektronických zařízení. Informace o těchto sběrných místech získáte od svých místních úřadů nebo prodejce, u kterého jste výrobek zakoupili. Každá domácnost hraje důležitou roli při zpětném odběru a recyklaci starých spotřebičů. Vhodná likvidace použitého spotřebiče pomáhá předcházet možným negativním důsledkům pro životní prostředí a lidské zdraví.



Soulad se směrnicí RoHS

CZ

Výrobek, který jste zakoupili, je v souladu se směrnicí RoHS EU (2011/65/EU). Neobsahuje škodlivé ani zakázané látky uvedené ve směrnici.

Informace o balení

Obalové materiály výrobku jsou vyrobeny z recyklovatelných materiálů v souladu s našimi národními předpisy o životním prostředí. Obalové materiály nelikvidujte společně s domácím ani jiným odpadem. Odneste je na sběrná místa obalových materiálů určená místními úřady.



PROHLÁŠENÍ O OCHRANĚ OSOBNÍCH ÚDAJŮ

Pro poskytování služeb dohodnutých se zákazníkem, souhlasíme s tím, že budeme bez omezení dodržovat všechna ustanovení platných právních předpisů o ochraně osobních údajů v souladu s dohodnutými zeměmi, v nichž budou služby zákazníkovi poskytovány, a případně také obecné nařízení EU o ochraně osobních údajů (GDPR).

Naše zpracovávání dat obecně splňuje náš závazek vyplývající ze smlouvy s vámi a slouží k bezpečnostním důvodům výrobku, k zajištění vašich práv v souvislosti s otázkami ohledně záruky a registrace výrobku. V některých případech, ale pouze tehdy, je-li zajištěna příslušná ochrana osobních údajů, mohou být osobní údaje předány příjemcům nacházejícím se mimo Evropský hospodářský prostor.

Další informace vám poskytneme na vyžádání. Našeho pověřence pro ochranu osobních údajů můžete kontaktovat na adrese **MideaDPO@midea.com**. Chcete-li uplatnit svá práva, jako je právo vznést námitku proti zpracovávání vašich osobních údajů pro účely přímého marketingu, můžete se na nás obrátit prostřednictvím e-mailové adresy **MideaDPO@midea.com**. Další informace získáte po naskenování kódu QR.

CZ



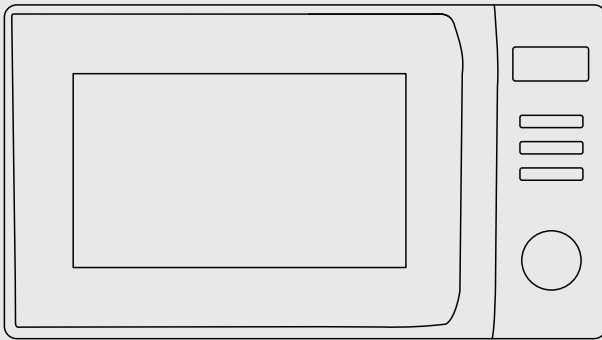
make yourself at home

CZ



www.midea.com

© Midea 2024 all rights reserved



HU

MIKROHULLÁMÚ SÜTŐ

HASZNÁLATI UTASÍTÁS

AG20CF2E
AG20CF2EBK

Figyelmeztetés: A termék használata előtt olvassa el figyelmesen ezt az útmutatót és őrizze meg későbbi felhasználásra. A termék folyamatos fejlesztése miatt a kialakítás és a specifikáció előzetes értesítés nélkül változhat. A részletekkel kapcsolatban keresse a forgalmazót vagy a gyártót. A fenti ábra csak tájékoztató jellegű. A készülék tényleges megjelenését vegye alapul.

KÖSZÖNŐLEVÉL

Köszönjük, hogy a Midea-t választotta! Mielőtt használná az új Midea készülékét, olvassa el figyelmesen ezt az útmutatót, hogy tudja, hogyan működtetheti biztonságosan az új készüléke által kínált funkciókat.

TARTALOM

KÖSZÖNŐLEVÉL	HU-01
BIZTONSÁGI UTASÍTÁSOK	HU-02
MŰSZAKI ADATOK	HU-12
A TERMÉK ÁTTEKINTÉSE	HU-13
A TERMÉK TELEPÍTÉSE	HU-15
ÜZEMELTETÉSI UTASÍTÁSOK	HU-16
TISZTÍTÁS ÉS KARBANTARTÁS	HU-22
HIBAEHÁRÍTÁS	HU-23
VÉDJEGYEK, SZERZŐI JOGOK ÉS JOGI NYILATKOZAT	HU-24
KISELEJTEZÉS ÉS ÚJRAHASZNOSÍTÁS	HU-25
ADATVÉDELMI KÖZLEMÉNY	HU-26

BIZTONSÁGI UTASÍTÁSOK

Rendeltetésszerű használat

A következő biztonsági irányelvek célja a készülék nem biztonságos vagy helytelen használatából adódó váratlan veszélyek vagy sérülések megelőzése. A készülék kézhez vételekor ellenőrizze, hogy a készülék és a csomagolása is sértetlen, így a készülék biztonságosan üzembe helyezhető. Ha bármilyen sérülést tapasztal, vegye fel a kapcsolatot a kereskedővel vagy a forgalmazóval. Felhívjuk a figyelmét, hogy a saját biztonsága érdekében a készüléken nem végezhet módosításokat vagy átalakításokat. A nem rendeltetésszerű használattal veszélyes helyzetet idézhet elő, és elveszti a garanciát.

Jelmagyarázat



Veszély

Ez a szimbólum az emberi életre vagy egészségre veszélyes rendkívül gyúlékony gázt jelez.



Figyelmeztetés elektromos feszültségre

Ez a szimbólum azt jelzi, hogy az elektromos feszültség veszélyt jelent a személyek életére és egészségére nézve.



Figyelmeztetés

Ez a szimbólum közepes kockázatú veszélyt jelöl, melyet ha nem kerülnek el, az halálhoz vagy súlyos sérüléshez vezethet.



Vigyázat

Ez a szimbólum alacsony kockázatú veszélyt jelöl, melyet ha nem kerülnek el, az kisebb vagy közepesen súlyos sérüléshez vezethet.



Figyelem

Ez a jelzés fontos információkra (pl. anyagi kárra) hívja fel a figyelmet, de nem veszélyre.



Tartsa be az utasításokat

Ez a szimbólum azt jelzi, hogy a szerviztechnikus csak a használati utasításnak megfelelően üzemeltetheti és tarthatja karban a készüléket.

Olvassa el gondosan és figyelmesen a használati útmutatót a készülék használatának/üzembe helyezésének megkezdése előtt, és tartsa a készülék közvetlen közelében, mert később is szüksége lehet rá!

Óvintézkedések a túlzott mértékű mikrohullámú energia elkerülése érdekében

- a. Ne próbálja ezt a sütőt nyitott ajtóval üzemeltetni, mivel így káros mikrohullámú energia érheti. Fontos, hogy a biztonsági reteszeléseket ne törje el és ne rongálja meg.
- b. Ne helyezzen semmilyen tárgyat a sütő elülső felülete és az ajtó közé, és ne engedje, hogy szennyeződés vagy tisztítószer-maradék gyűljön össze a tömítőfelületeken.
- c. **FIGYELMEZTETÉS:** Ha az ajtó vagy az ajtótömítések megsérültek, a sütőt addig tilos üzemeltetni, amíg azt hozzáértő személy meg nem javította.

Kiegészítés

Ha a készüléket nem tartják megfelelően tiszta állapotban, a felülete károsodhat, ami hatással lehet a készülék élettartamára, és veszélyes helyzethez vezethet.

HU

▲ FIGYELMEZTETÉS

A tűz, áramütés, személyi sérülés vagy annak kockázata csökkentése végett, hogy a mikrohullámú sütő túl nagy energiája érjen minket, a készülék használata során tartsa be az alapvető óvintézkedéseket, beleértve a következőket:

- Olvassa el és kövesse specifikusan az alábbiakban leírtakat: "ÓVINTÉZKEDÉSEK ANNAK ELKERÜLÉSE ÉRDEKÉBEN, HOGY TÚL SOK MIKROHULLÁMÚ ENERGIA ÉRJEN MINKET".
- Ezt a készüléket 8 éves és idősebb gyermekek, csökkent fizikai, érzékszervi vagy szellemi képességekkel rendelkező, illetve tapasztalattal és tudással nem rendelkező személyek csak felügyelet mellett vagy akkor használhatják, ha őket a készülék biztonságos használatára megtanították, és megértették az ezzel járó veszélyeket. Gyermekek ne játsszanak a készülékkel. Felügyelet nélkül a tisztítást és a felhasználói karbantartást gyerekek nem végezhetik.
- Tartsa a készüléket és annak vezetékeit 8 évnél fiatalabb gyermekek számára hozzáférhetetlen helyen.
- Ha a tápvezeték sérült, a gyártóval, a hivatalos márkaszervizzel vagy megfelelően képzett személlyel ki kell cseréltetni a kockázatok elkerülése érdekében.
- FIGYELMEZTETÉS: A lámpa cseréje előtt győződjön meg arról, hogy a készülék ki van kapcsolva, hogy kizárja az áramütés lehetőségét.

- FIGYELMEZTETÉS: Veszélyes, ha hozzáértő személyen kívül bárki más olyan szerviz- vagy javítási műveletet végez, amely annak a burkolatnak az eltávolításával jár, amely véd attól, hogy mikrohullámú energia érjen minket.
- FIGYELMEZTETÉS: Folyadékot és egyéb élelmiszereket nem szabad lezárt tárolóedényben melegíteni, mivel azok robbanásveszélyesek.
- Ha műanyag vagy papír tárolóedényekben melegít ételeket, tartsa szemmel a sütőt, mivel fennáll annak a lehetősége, hogy azok meggyulladnak.
- Csak olyan edényeket használjon, amelyek alkalmasak mikrohullámú sütőben való használatra.
- Ha a készülék füstöt bocsát ki, kapcsolja ki, vagy húzza ki a konnektorból, és a lángok elfojtása érdekében tartsa zárva az ajtaját.
- Az italok mikrohullámú melegítése késleltetett robbanászerű forrással járhat, ezért az edény kezelésekor járjon el körültekintően.
- A cumisüvegek és bébiételt tartalmazó üvegek tartalmát az égési sérülések elkerülése érdekében meg kell keverni vagy össze kell rázni, és a hőmérsékletüket ellenőrizni kell a fogyasztást megelőzően.
- Tojásokat héjukban és egész keményre főtt tojásokat nem szabad mikrohullámú sütőben melegíteni, mivel még akkor is felrobbanhatnak, amikor a mikrohullámú melegítés már befejeződött.
- A sütőt rendszeresen tisztítani kell, és az esetleges ételmaradékokat el kell távolítani.

- A sütő tisztán tartásának elmulasztása a felület romlásához vezethet, ami hátrányosan befolyásolhatja a készülék élettartamát, és esetleges veszélyes helyzetet is eredményezhet.
- A készüléket a túlmelegedés elkerülése érdekében nem szabad dekoratív ajtó mögé telepíteni. (A dekoratív ajtóval ellátott készülékekre nem vonatkozik).
- Csak az ehhez a készülékhez ajánlott ételhőmérőt használjon. (Olyan készülékek esetén, amelyek rendelkeznek hőmérővel.)
- The a mikrohullámú sütő nem helyezhető szekrénybe, kivéve, ha tesztelték a szekrényben történő üzemeltetést.
- A mikrohullámú sütőt nyitott dekoratív ajtóval kell működtetni. (A dekoratív ajtóval ellátott sütők esetében.)
- Ez a készülék háztartási és hasonló alkalmazásokban történő használati célokra szolgál, mint például:
 - üzletek, irodák és egyéb munkakörnyezetek dolgozói konyhai helyiségei;
 - szállodák, motelek és más lakóhelyjellegű környezetek vendégeit kiszolgáló;
 - parasztházak;
 - szállást reggelivel kínáló környezetek.
- A mikrohullámú sütő ételek és italok melegítésére szolgál. Az ételek vagy ruhák szárítása, és a melegítőpárnák, papucsok, szivacsok, nedves ruhák és hasonlóak melegítése sérülés- vagy tűzveszélyt okozhat.
- Az ételek és italok fém tárolóedényei mikrohullámú sütés közben nem használhatók.
- A készüléket nem szabad gőztisztítóval tisztítani.

- A készüléket szabadon álló használatra tervezték.
- A készülék hátsó felületének a fal felé kell néznie.
- A készülékek nem használhatók külső időzítővel vagy külön távirányító rendszerrel.
- A készülék működése közben a megérinthető felületek hőmérséklete magas lehet.
- FIGYELMEZTETÉS: Ha a készülék kombinált üzemmódban működik, a hőmérséklete miatt a gyermekek csak felnőtt felügyelete mellett használhatják a sütőt.

**OLVASSA EL FIGYELMESEN, ÉS ŐRIZZE MEG
KÉSŐBBI HASZNÁLATRA**

A személyi sérülés veszélyének csökkentése - Földelés

⚠ VESZÉLY

Áramütés veszélye

A belső alkatrészek némelyikének megérintése súlyos személyi sérülést vagy halált okozhat. Ne szerelje szét ezt a készüléket.

⚠ FIGYELMEZTETÉS

Áramütés veszélye

A földelés helytelen használata áramütést okozhat. Addig ne dugja be a készüléket a konnektorba, amíg megfelelően be nem szerelték és nem földelték.

Ezt a készüléket földelni kell. Elektromos rövidzárlat esetén a földelés csökkenti az áramütés veszélyét, mivel levezető vezetékkel biztosít az elektromos áram számára.

Ezt a készüléket egy földelő vezetékes, földelődugóval rendelkező kábellel látták el. A dugót megfelelően felszerelt és földelt konnektorba kell dugni.

Forduljon szakképzett villanszerelőhöz vagy szerelőhöz, ha a földelési utasításokat nem érti teljesen, vagy ha kétségei vannak a készülék megfelelő földelésével kapcsolatban.

Ha hosszabbítót kell használni, akkor csak háromvezetékes hosszabbítót használjon.

- Azért rövid tápkábelt mellékelünk, hogy ezzel is csökkentsük a hosszabb vezetékbe való belegabalyodás vagy a benne történő megbotlás kockázatát.
- Ha hosszú vezetékészletet vagy hosszabbítót használ:
 - A kábelkészlet vagy hosszabbítókábel névleges elektromos jellemzőinek meg kell egyeznie a

készülék névleges elektromos jellemzőivel, vagy meg kell haladnia azokat.

- A hosszabbítókábelnek földelt, háromeres vezetéknek kell lennie.
- A hosszú kábelt úgy kell elvezetni, hogy az ne fusson a pult vagy az asztallap fölött úgy, hogy a gyermekek meghúzhassák vagy valaki megbotothasson benne.

Edények

VIGYÁZAT

Személyi sérülés veszélye

Veszélyes, ha hozzáértő személyen kívül bárki más olyan szerviz- vagy javítási műveletet végez, amely annak a burkolatnak az eltávolításával jár, amely véd attól, hogy mikrohullámú energia érjen minket. Olvassa el a "Mikrohullámú sütőben használható vagy mikrohullámú sütőben kerülendő anyagok" című útmutatót. Előfordulhat, hogy bizonyos nem fémből készült edények nem biztonságosak a mikrohullámú sütéshez. Ha kétségei vannak, az alábbi eljárás szerint tesztelheti a kérdéses edényt.

HU

Edényteszt:

- Töltsön meg egy mikrohullámú sütésre alkalmas edényt 1 csésze hideg vízzel (250 ml), és helyezze a készülékbe.
- Melegítse maximális teljesítményen 1 percig.
- Óvatosan tapintsa meg az edényt. Ha az üres edény meleg, ne használja mikrohullámú sütéshez.
- Ne lépje túl az 1 perces melegítési időt.

Mikrohullámú sütőben használható anyagok

Edények	Megjegyzések
Barnító edény	Kövesse a gyártó utasításait. A barnító edény aljának legalább 3/16 hüvelyk (5 mm) magasságban kell lennie a forgótányér felett. A helytelen használat a forgótányér törését okozhatja.
Étkészlet	Csak ami mikrohullámú sütőben használható. Kövesse a gyártó utasításait. Ne használjon repedt vagy törött edényeket.
Üvegpooharak	Mindig távolítsa el a fedelet. Csak addig melegítse az ételt, amíg éppen hogy csak meleg nem lesz. A legtöbb üvegedény nem hőálló, és eltörhet.
Üvegedények	Csak hőálló sütőüvegeket használjon. Győződjön meg arról, hogy nincs rajta fém díszítés. Ne használjon repedt vagy törött edényeket.
Sütőben használható főzőtasakok	Kövesse a gyártó utasításait. Ne zárja le fémkötegelővel. Alakítson ki réseket, hogy a gőz távozni tudjon.
Papírtányérok és poharak	Csak rövid távú főzéshez/melegítéshez használja azokat. Ne hagyja felügyelet nélkül a sütőt főzés közben.
Papírtörölközők	Használhatóak az ételek letakarására újramelegítésnél és a zsír felszívásához. Csak felügyelet mellett, rövid ideig tartó főzéshez használja azokat.
Pergamenpapír	Használhatja fedőnek a szétfröccsenés megakadályozására, vagy gőzöléskor csomagolópapírként.
Műanyag	Csak ami mikrohullámú sütőben használható. Kövesse a gyártó utasításait. "Mikrohullámú sütőben biztonságos" felirattal kell rendelkeznie. Egyes műanyag edények megpuhulnak, ahogy a bennük lévő étel felforrósodik. A "főzőtasakokat" és a szorosan lezárt műanyag zacskókat a csomagoláson szereplő utasítás szerint fel kell hasítani, ki kell lyukasztani vagy légteleníteni kell.
Műanyag fólia	Csak ami mikrohullámú sütőben használható. Használhatja az ételek befedésére főzés közben, hogy megőrizze a nedvességtartalmukat. Ne engedje, hogy a műanyag fólia hozzáérjen az ételhez.
Hőmérők	Csak ami mikrohullámú sütőben használható (hús- és édességmérők).
Viaszos papír	Használhatja fedőként a fröccsenés megakadályozására és a nedvességtartalom megőrzésére.

Mikrohullámú sütőben kerülendő anyagok

Edények	Megjegyzések
Alumíniumtálca	Ívképződést okozhat. Helyezze át az ételt mikrohullámú sütésre alkalmas edénybe.
Fém fogantyúval ellátott élelmiszerdoboz	Ívképződést okozhat. Helyezze át az ételt mikrohullámú sütésre alkalmas edénybe.
Fémedények vagy fém peremű edények	A fém elzárja az ételt a mikrohullámú energiától. A fém díszítés ívesedéshez vezethet.
Fém csavarkötők	Ívet okozhatnak, és tűz keletkezhet a sütőben.
Papírtasakok	Tűzet okozhat a sütőben.
Műanyag hab	A műanyag hab megolvadhat vagy beszennyezheti a benne lévő folyadékot, ha magas hőmérsékletnek van kitéve.
Fa	A fa kiszárad, ha mikrohullámú sütőben használják, és megrepedhet vagy szétválhat.

MŰSZAKI ADATOK

MODELL	AG20CF2E / AG20CF2EBK
NÉVLEGES FESZÜLTSG	230 V-
NÉVLEGES FREKVENCIA	50 Hz
NÉVLEGES BEMENETI TELJESÍTMÉNY	1050 W
NÉVLEGES KIMENETI TELJESÍTMÉNY (MIKROHULLÁMÚ)	700 W
NÉVLEGES BEMENETI TELJESÍTMÉNY (GRILL)	1000 W

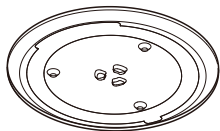
A TERMÉK ÁTTEKINTÉSE

A sütő alkatrészeinek és tartozékainak megnevezése

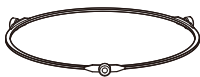
(Ha a készülék különbözik a kézikönyvben közölt ábráktól, a készülék a mérvadó.)

Vegye ki a sütőt és minden anyagot a dobozból és a sütőtérből.

Az Ön sütője a következő tartozékokat tartalmazza:



Üvegtálca



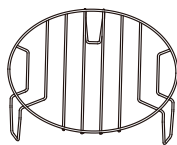
Forgótányér-gyűrű
szerelvény



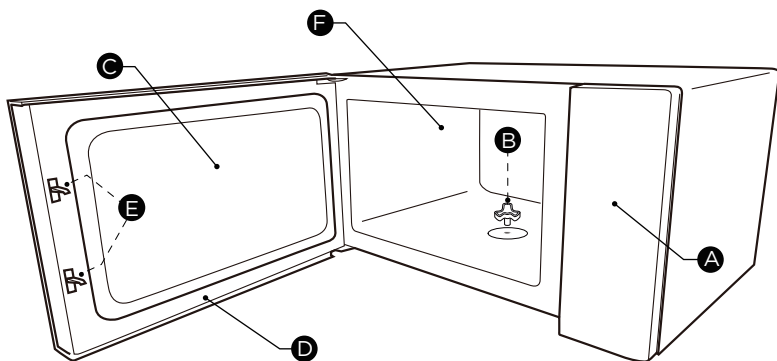
Használati útmutató



Forgótányér tengelye



Grillrács (mikrohullámú sütő funkcióban nem használható, és az üvegtálcára kell helyezni)

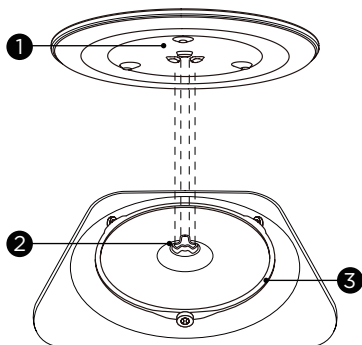


- A) Kezelőpanel
- B) Forgótálca tengelye
- C) Megfigyelőablak

- D) Ajtószerelvény
- E) Biztonsági
reteszelőrendszer
- F) Sütőtér

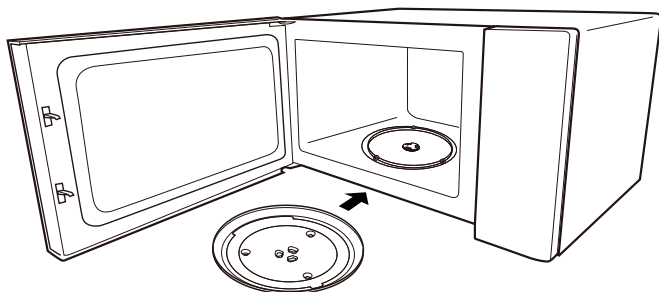
A forgótányér beszerelése

A főzőtér tisztítása és a forgótányér behelyezése a helyére. Új telepítés esetén győződjön meg arról, hogy minden csomagoló- és szállítási rögzítőszalagot eltávolított a forgótányér tengelyéről. Mielőtt először használná a készüléket ételkészítésre, a forgótányért megfelelően a helyére kell tenni. Tisztítsa meg a főzőteret és a tartozékokat.



A forgótányér behelyezése:

1. Helyezze a forgótányér-gyűrű szerelvényt ③ a főzőtér bemélyedésébe.
2. Helyezze az üvegtálcát ① a forgótányér-gyűrű szerelvényre ③. Illessze a kiemelkedő íveket az üvegtálca aljának közepére a tengely három küllője közé. Győződjön meg arról, hogy az üvegtálca ① beilleszkedik a forgótányér tengelyébe ② a főzőtér aljának közepén. A tengelyen lévő görgőknek a forgótányér alsó hornyába kell illeszkedniük.



HU

MEGJEGYZÉSEK

- Soha ne használja a készüléket forgótányér nélkül. Ellenőrizze, hogy a forgótányér megfelelően a helyén van-e. A forgótányér az óramutató járásával megegyező vagy ellentétes irányban foroghat.
- Soha ne helyezze be az üvegtálcát fejjel lefelé. Az üvegtálcát mozgását soha nem szabad akadályozni.
- Az üvegtálcát és a forgótányér-gyűrű szerelvényt is mindig használni kell a főzés során.
- Minden ételt és ételtároló edényt mindig az üvegtálcára kell helyezni a főzéshez.
- Soha ne akadályozza a forgótányér mozgását.
- Ha az üvegtálca vagy a forgótányér-gyűrű szerelvény megreped vagy eltörik, forduljon a legközelebbi hivatalos szervizközpontoz.

A TERMÉK TELEPÍTÉSE

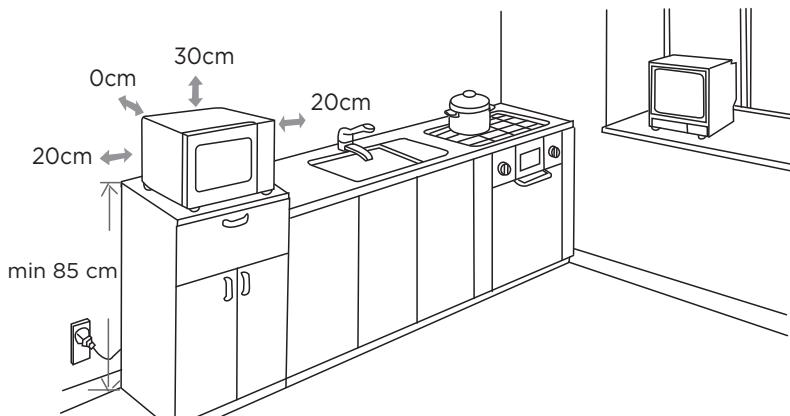
Elhelyezés a pulton

Távolítson el minden csomagolóanyagot és tartozékot. Ellenőrizze, hogy a készüléken nincsenek-e sérülések, például horpadások vagy törött ajtó. Ha a készülék sérült, ne telepítse.

Kamra: Távolítson el minden védőfóliát a mikrohullámú sütő kamrájának felületéről. Ne távolítsa el a világosbarna hullámvezető takarót a sütőtér belsejéből, amely a magnetront védi.

Felszerelés

1. Válasszon egy vízszintes felületet, ahol elég hely áll rendelkezésre a légbeszívó és/vagy légkifúvó nyílások számára.



- A minimális telepítési magasság 85 cm.
 - A készülék hátsó felületének a fal felé kell néznie.
A készülék fölött hagyjon legalább 30 cm szabad helyet, a készülék és a falak közt pedig legalább 20 cm szabad helyet.
 - Ne távolítsa el a lábakat a készülék aljáról.
 - A légbemeneti és/vagy légkimeneti nyílások eltakarása károsíthatja a készüléket.
 - A sütőt helyezze a rádió- és tévékészülékektől minél továbbra. A mikrohullámú sütő működés közben zavarhatja a tévé- és rádióvételt.
2. Csatlakoztassa a sütőt egy szabványos konnektorhoz. Ellenőrizze, hogy a hálózati feszültség és frekvencia megegyezik-e a készülék típustábláján feltüntetett feszültséggel és frekvenciával.

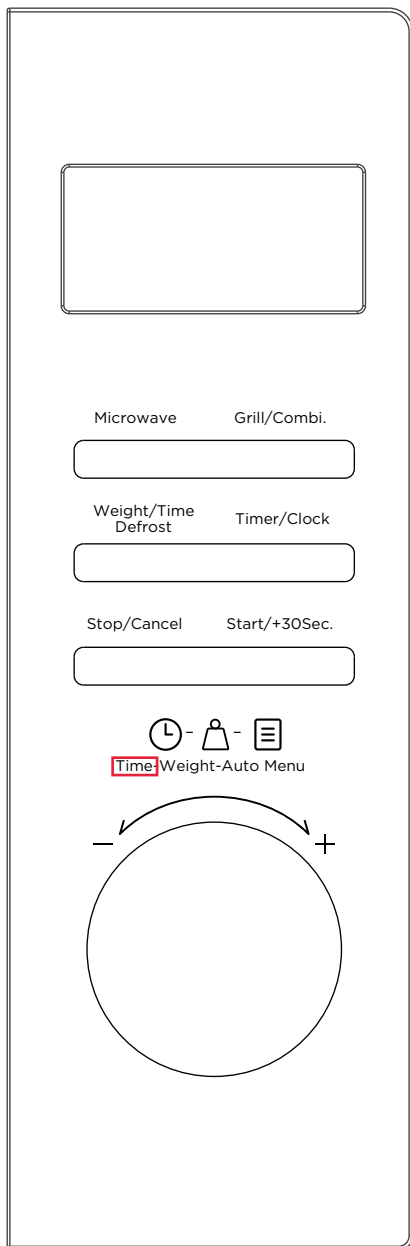
▲ FIGYELMEZTETÉS

Ne helyezze a sütőt tűzhely vagy más hőtermelő készülék fölé. Ha hőforrás fölé telepíti, azzal károsíthatja a készüléket, és elveszítheti a jótállást.

A hozzáférhető felület működés közben forró lehet.



ÜZEMELTETÉSI UTASÍTÁSOK



HU

Az óra beállítása

1. Nyomja meg kétszer a " Timer/Clock " gombot, ekkor megjelenik a "00:00" kijelzés.
2. Forgassa a gombot az órák számainak beállításához. Az időnek 0-23 között kell lennie.
3. Nyomja meg a " Timer/Clock " gombot a megerősítéshez.
4. Forgassa a gombot a percek számainak beállításához. Az időnek 0-59 között kell lennie.
5. Nyomja meg a " Timer/Clock " gombot a megerősítéshez. Az óra beállítása megtörtént.

MEGJEGYZÉS

- Az óra 24 órás kijelzővel rendelkezik. Ha az órát nem állítják be, a készülék nem fog működni, amikor bekapcsolja a tápellátást.
- Az óra visszaállításához ismétlje meg az 1-5. lépést.
- A 4. lépés után, ha a " Timer/Clock " gombot nem nyomják meg, vagy nem végeznek műveletet 1 percen belül,
- a beállítás érvénytelen.

A konyhai időzítő beállítása

1. Nyomja meg egyszer a " Timer/Clock " gombot, ekkor megjelenik a "0:00" kijelzés.
2. Forgassa a gombot a kívánt időtartam beállításához. A maximális érték "95:00".
3. Nyomja meg a " Start/+30Sec. " gombot a megerősítéshez. Az időzítő elkezd a visszaszámlálást.

MEGJEGYZÉS

A konyhai időzítő működése alatt semmilyen más program nem állítható be.

HU

Mikrohullámú sütés

Teljesítményszint

5 teljesítményszint állítható be.

Teljesítményszint	Kijelző
100%	P100
80%	P80
50%	P50
30%	P30
10%	P10

1. Nyomja meg egyszer a " Microwave " gombot, ekkor megjelenik a "P100" kijelzés.
2. Nyomja meg ismételten a " Microwave " gombot, vagy forgassa el a gombot a teljesítményszint beállításához. Beállítható az 5 teljesítményszint.
3. Nyomja meg a " Start/+30Sec. " gombot a megerősítéshez.
4. Forgassa a gombot a főzési időtartam beállításához. A maximális érték "95:00".
5. Nyomja meg a " Start/+30Sec. " gombot a főzés megkezdéséhez.

MEGJEGYZÉS

A készülék ajtajának kinyitása vagy a " Stop/Cancel " gomb működés alatti megnyomása megszakítja az aktuális üzemmódot.

Grillezés

1. Nyomja meg egyszer a " Grill/Combi. " gombot, ekkor megjelenik a "G-1" kijelzés.
2. Nyomja meg a " Start/+30Sec. " gombot a megerősítéshez.
3. Forgassa a gombot a főzési időtartam beállításához. A maximális érték "95:00".
4. Nyomja meg a " Start/+30Sec. " gombot a főzés megkezdéséhez.

MEGJEGYZÉS

Amikor az idő fele letelt hangjelzés emlékezteti Önt, hogy fordítsa meg az ételt. Ha nem csinál semmit, akkor a sütő folytatja a működését.

Kombinált sütés

1. Nyomja meg kétszer vagy háromszor a " Grill/Combi." gombot, ekkor megjelenik a "C-1", "C-2" kijelzés.
2. Nyomja meg a " Start/+30Sec. " gombot a megerősítéshez.
3. Forgassa a gombot a főzési időtartam beállításához. A maximális érték "95:00".
4. Nyomja meg a " Start/+30Sec. " gombot a főzés megkezdéséhez.

Funkció	Kijelző	Mikrohullámú teljesítmény	Grill teljesítmény
Kombi. 1	C-1	55%	45%
Kombi. 2	C-2	36%	64%

HU

Kiolvasztás tömeg alapján

1. Nyomja meg egyszer a " Weight/Time Defrost " gombot, ekkor megjelenik a "dEF1" kijelzés.
2. Forgassa a gombot az étel tömegének beállításához. A tömeg 100-2000 g között lehet.
3. Nyomja meg a " Start/+30Sec. " gombot a kiolvasztás megkezdéséhez.

MEGJEGYZÉS

A hangjelzés emlékeztetni fogja Önt, hogy a kiolvasztás során fordítsa meg az ételt. Ha nem csinál semmit, akkor a sütő folytatja a működését.

Kiolvasztás idő alapján

1. Nyomja meg kétszer a " Weight/Time Defrost " gombot, ekkor megjelenik a "dEF2" kijelzés.
2. Forgassa a gombot a kívánt kiolvasztási időtartam beállításához. A maximális érték "95:00".
3. Nyomja meg a " Start/+30Sec. " gombot a kiolvasztás megkezdéséhez.

MEGJEGYZÉS

- Amikor az idő fele letelt hangjelzés emlékezteti Önt, hogy fordítsa meg az ételt. Ha nem csinál semmit, akkor a sütő folytatja a működését.
- A kiolvasztási teljesítmény P30, és nem változtatható.

Többfokozatú főzés

MEGJEGYZÉSEK

- Két főzési fokozat állítható be a többfokozatú főzésben.
- Ha kiolvasztás funkciót állít be, az az első szakaszban automatikusan működik.
- Konyhai időzítő, Automatikus menü nem állítható be a többfokozat egyikeként.

Példa: Étél kiolvasztása 5 percig, majd főzés 80%-os mikrohullámú teljesítményen 7 percig.

1. Nyomja meg kétszer a "

Weight/Time
Defrost

 " gombot, ekkor megjelenik a "dEF2" kijelzés.
2. Forgassa a gombot az 5 perces kiolvasztási időtartam beállításához.
3. Nyomja meg a " Microwave " gombot, ekkor megjelenik a "P100" kijelzés.
4. Forgassa a gombot a P80 teljesítmény beállításához. Majd nyomja meg a " Start/+30Sec. " gombot a megerősítéshez.
5. Forgassa a gombot a 7 perces főzési időtartam beállításához.
6. Nyomja meg a " Start/+30Sec. " gombot a főzés megkezdéséhez.

Gyorsfőzés

1. Készenléti üzemmódban nyomja meg a " Start/+30Sec. " gombot az étel főzéséhez 30 másodpercig 100%-os teljesítményszinten. Ugyanannak a gombnak minden egyes megnyomása 30 másodpercet növeli az időtartamot, a maximális időtartam 95 perc.
2. Készenléti üzemmódban forgassa a gombot balra a főzési idő beállításához 100%-os teljesítményen. Ezután forgassa tovább a gombot a főzési időtartam beállításához. (A maximális főzési idő 95 perc). Nyomja meg a " Start/+30Sec. " gombot a főzés megkezdéséhez.

HU

Zárfunkció gyermekek számára

Ezzel a funkcióval megakadályozható, hogy a gyerekek véletlenül bekapcsolják a sütőt. A zárfunkció bekapcsolása:

Készenléti üzemmódban nyomja meg és tartsa lenyomva a " Stop/Cancel " gombot 3 másodpercig. Hangjelzés hallható és megjelenik a " [_ _] " kijelzés.

A zárfunkció kikapcsolása:

Lezárt üzemmódban nyomja meg és tartsa lenyomva a " Stop/Cancel " gombot 3 másodpercig. Hangjelzés hallható.

Lekérdező funkció

1. Ha az óra be van állítva, akkor a főzési állapotban a " Timer/Clock " gomb megnyomásával három másodpercig megjelenik az aktuális idő.
2. Mikrohullámú főzési állapotban nyomja meg a " Microwave " gombot a teljesítményszint lekérdezéséhez. Három másodpercig jelenik meg. A grill és a kombinált főzési állapotban a lekérdezés a " Grill/Combi. " gomb megnyomásával végezhető.

Automatikus menü

1. Forgassa jobbra a gombot, és az "A-1" villogni kezd.
2. Forgassa tovább a gombot a kívánt menü kiválasztásához. 8 automatikus menü áll rendelkezésre.
3. Nyomja meg a " Start/+30Sec. " gombot a megerősítéshez.
4. Forgassa a gombot az étel tömegének beállításához.
5. Nyomja meg a " Start/+30Sec. " gombot a főzés megkezdéséhez.

MEGJEGYZÉSEK

- A készülék ajtajának kinyitása vagy a " Stop/Cancel " gomb működés alatti megnyomása megszakítja az aktuális üzemmódot.
- Az "Auto Menu" (Automatikus menü) kiválasztásához készenléti módban először jobbra kell forgatni a gombot. A gomb balra forgatásával adható meg a gyorsfőzés főzési ideje.

A menüablázat:

Menü	Tömeg	Kijelző	Teljesítmény
A-1 Automatikus újramelegítés	200 g	200	P100
	400 g	400	
	600 g	600	
A-2 Zöldség	200 g	200	P100
	300 g	300	
	450 g	450	
A-3 hal	150 g	150	C-2
	300 g	300	
	450 g	450	
A-4 hús	200 g	200	C-2
	300 g	300	
	500 g	500	
A-5 tészta	50 g (450 g hideg vízzel)	50	P80
	100 g (800 g hideg vízzel)	100	
A-6 burgonya	1(230 g)	1	P100
	2	2	
	3	3	
A-7 pizza	200 g	200	P100
	400 g	400	
A-8 rizs	200 g	200	P100+P50
	400 g	400	

HU

TISZTÍTÁS ÉS KARBANTARTÁS

Feltétlenül húzza ki a készüléket a hálózathoz.

- Használat után enyhén nedves ruhával tisztítsa meg a sütő sütőterét.
- A tartozékokat a szokásos módon, szappanos vízben tisztítsa meg.
- Az ajtókeretet és a tömítést, valamint az azokkal szomszédos részeket óvatosan, nedves ruhával kell megtisztítani, ha szennyezettek.
- Ne használjon durva súrolószereket vagy éles fémkaparókat a sütőajtó üvegének tisztításához, mivel ezek megkarcolhatják a felületet, ami az üveg töréséhez vezethet.
- Tisztítási tipp---A sütőtér azon falainak könnyebb tisztításához, amelyekkel a főtt ételek érintkezhetnek: Tegyen egy fél citromot egy tálba, adjon hozzá 300 ml vizet, és üzemeltesse a sütőt 100%-os mikrohullámú teljesítményen 10 percig. Törölje tisztára a sütőt egy puha, száraz ruhával.


HIBAEELHÁRÍTÁS

Normál	
A mikrohullámú sütő zavarja a tévéadás vételét	A mikrohullámú sütő működése közben a rádió- és televízióvételt zavarhatja. Ez hasonló a kis elektromos készülékek, például a keverő, a porszívó és az elektromos ventilátor interferenciájához. Ez normális.
Halvány sütőfény	Kis teljesítményű mikrohullámú sütés esetén a sütő fénye halványulhat. Ez normális.
Ajtón felgyülemelő gőz, a szellőzőnyílásokon kiáramló forró levegő	Főzés közben az ételekből gőz léphet ki. A legtöbb a szellőzőnyílásokon fog kijutni. Egy része azonban összegyűlhet egy hűvös helyen, például a sütő ajtaján. Ez normális.
A sütő véletlenül úgy indult be, hogy nem volt benne étel.	Tilos a készüléket úgy működtetni, hogy nincs benne étel. Ez nagyon veszélyes.

Probléma	Lehetséges okok	Megoldás
A sütő nem kapcsol be.	• A tápkábel nincs szorosan bedugva.	• Húzza ki a csatlakozót. Ezután 10 másodperc múlva dugja be újra.
	• A biztosíték kiégett vagy a megszakító működésbe lépett.	• Cserélje ki a biztosítékot vagy állítsa vissza a megszakítót (cégünk szakszemélyzete javítja).
	• Probléma a konnektorról.	• Tesztelje a konnektort más elektromos készülékekkel.
A sütő nem melegszik.	• Az ajtó nem jól záródik.	• Zárja be jól az ajtót.

HU

VÉDJEJEGYEK, SZERZŐI JOGOK ÉS JOGI NYILATKOZAT

 Midea logó, szövéjegyek, kereskedelmi nevek, kereskedelmi arculat és ezek minden változata: a Midea Csoport és/vagy leányvállalatainak ("Midea") tulajdonába tartoznak, melyeknek a Midea rendelkezik a védjegyekkel, szerzői jogaikkal és más szellemi tulajdonjogaikkal, és a Midea védjegyek bármely részének használatából eredő összes üzleti előnnyel. A Midea védjegyének a Midea előzetes engedélye nélküli használata védjegyjogi jogsértésnek vagy a vonatkozó jogszabályokat sértő tisztességtelen versenynek minősülhet.

Ezt a kézikönyvet a Midea készítette, és a Midea fenntartja a hozzá fűződő összes szerzői jogot. Egyetlen szervezet vagy magánszemély sem használhatja, másolhatja, módosíthatja, terjesztheti részben vagy egészben ezt a kézikönyvet, illetve nem kapcsolhatja össze vagy értékesítheti más termékekkel a Midea előzetes írásos hozzájárulása nélkül.

A kézikönyv nyomtatásakor az összes leírt funkció és utasítás naprakész volt. Az aktuális termék azonban a funkciók vagy a kialakítás későbbi fejlesztése miatt eltérhet az itt közöltektől.

KISELEJTÉZÉS ÉS ÚJRAHASZNOSÍTÁS

Fontos környezetvédelmi utasítások

Megfelelés a WEEE irányelvnek és a hulladékok leselejtezésére vonatkozó előírásoknak: A termék eleget tesz az EU WEEE irányelvének (2012/19/EU). A terméken látható az elektromos és elektronikus berendezések hulladékainak besorolási szimbóluma (WEEE).

Ez a szimbólum azt jelzi, hogy a készüléket az élettartama végén nem szabad más háztartási hulladékkal együtt ártalmatlanítani. A használt készüléket az elektromos és elektronikus eszközök leselejtezésére kijelölt gyűjtőpontba juttassa el. A gyűjtőpontok megkereséséhez vegye fel a kapcsolatot a helyi hatóságokkal vagy azzal az üzlettel, amely a terméket értékesítette. Minden egyes háztartás fontos szerepet játszik a régi készülékek begyűjtésében és újrahasznosításában. A használt készülék megfelelő ártalmatlanítása segít megelőzni a környezetre és az emberi egészségre gyakorolt lehetséges negatív következményeket.



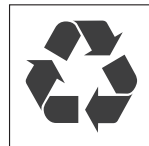
Az RoHS irányelv betartása

Az ön által megvásárolt termék megfelel az EU RoHS irányelvének (2011/65/EU). A termék nem tartalmaz az irányelvben meghatározott ártalmas és tiltott anyagokat.

HU

A termék csomagolására vonatkozó információk

A termék csomagolóanyagai újrahasznosítható anyagokból készülnek a nemzeti környezetvédelmi előírásoknak megfelelően. A csomagolóanyagokat ne dobja ki a háztartási vagy egyéb hulladékokkal együtt. Vigye azokat a helyi hatóságok által kijelölt csomagolóanyag-gyűjtőhelyekre.



ADATVÉDELMI KÖZLEMÉNY

A vásárlónak nyújtott szolgáltatások keretében, bealegyezünk, hogy korlátozás nélkül eleget teszünk a vonatkozó adatvédelmi törvény összes rendelkezésnek az összes olyan országban, ahol az ügyfeleinknek szolgáltatásokat nyújtunk, valamint, ahol az alkalmazható, az EU általános adatvédelmi rendeletének (GDPR).

Az adatkezelésünk célja általánosságban az, hogy teljesíteni tudjuk az ön iránt vállalt kötelezettségeinket, és hogy termékbiztonsági okokból védeni tudjuk az ön termékgaranciával és termékregisztrációval kapcsolatos jogait. Bizonyos esetekben, de csak a megfelelő adatvédelem biztosítása mellett a személyes adatait az Európai Gazdasági Térségen kívüli címzettek is megkaphatják.

Kérésre erről bővebb tájékoztatást nyújtunk. Az adatvédelmi tisztviselővel a **MideaDPO@midea.com** e-mail-címen keresztül veheti fel a kapcsolatot. A jogai gyakorlásához, például hogy tiltakozzon a személyes adatai közvetlen üzletszerzés (direktmarketing) céljából történő kezelésével szemben, írjon nekünk a **MideaDPO@midea.com** e-mail-címre. További tájékoztatáshoz olvassa be a QR-kódot.



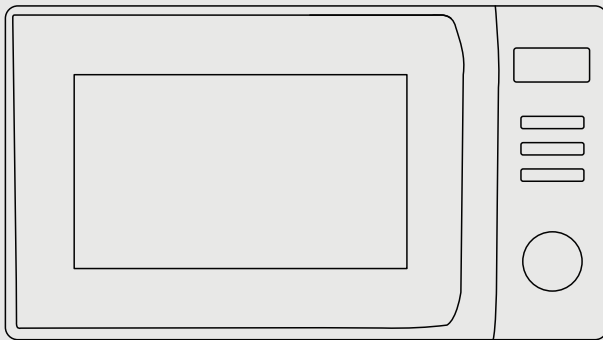
make yourself at home

HU



www.midea.com

© Midea 2024 all rights reserved



SR

MIKROTALASNA PEĆNICA

UPUTSTVO ZA KORIŠĆENJE

AG20CF2E
AG20CF2EBK

Upozoravajuća obaveštenja: Pre upotrebe ovog proizvoda, pažljivo pročitajte ovo uputstvo i sačuvajte ga za buduću upotrebu. Dizajn i specifikacije su podložni promeni bez prethodne najave radi poboljšanja proizvoda. Za detalje se obratite svom prodavcu ili proizvođaču. Gornji dijagram je dat samo radi reference. Uzmite izgled stvarnog proizvoda kao standard.

PISMO ZAHVALNOSTI

Hvala vam što ste izabrali Mideu! Pre upotrebe vašeg novog Midea proizvoda, pažljivo pročitajte ovo uputstvo da biste bili sigurni da znate kako da koristite funkcije i mogućnosti koje vaš novi uređaj nudi na bezbedan način.

SADRŽAJ

PISMO ZAHVALNOSTI	SR-01
BEZBEDNOSNA UPUTSTVA	SR-02
SPECIFIKACIJE	SR-12
PREGLED PROIZVODA	SR-13
MONTAŽA PROIZVODA	SR-15
UPUTSTVO ZA RAD	SR-16
ČIŠĆENJE I ODRŽAVANJE	SR-22
REŠAVANJE PROBLEMA	SR-23
ZAŠTITNI ZNAKOVI, AUTORSKA PRAVA I PРАВNA IZJAVA	SR-24
ODLAGANJE I RECIKLAŽA	SR-25
OBAVEŠTENJE O ZAŠTITI PODATAKA	SR-26

BEZBEDNOSNA UPUTSTVA

Namena

Sledeće bezbednosne smernice imaju za cilj da spreče nepredviđene rizike ili štete usled nebezbednog ili nepravilnog rada uređaja. Proverite pakovanje i uređaj po isporuci da biste bili sigurni da je sve neoštećeno, kako biste osigurali bezbedan rad. Ako nađete bilo kakvo oštećenje, obratite se prodavcu ili dobavljaču. Imajte na umu da modifikacije ili prepravke uređaja nisu dozvoljene zbog vaše bezbednosti. Nenamenska upotreba može dovesti do opasnosti i gubitka garancije.

Objašnjenje simbola



Opasnost

Ovaj simbol označava da postoji opasnost po život i zdravlje ljudi zbog izuzetno zapaljivog gasa.



Upozorenje na električni napon

Ovaj simbol označava da postoji opasnost po život i zdravlje osoba zbog napona.



Upozorenje

Ova signalna reč označava opasnost sa srednjim nivoom rizika koja, ako se ne izbegne, može dovesti do smrti ili ozbiljne povrede.



Oprez

Ova signalna reč označava opasnost sa niskim stepenom rizika koja, ako se ne izbegne, može dovesti do lakših ili umerenih povreda.



Pažnja

Ova signalna reč ukazuje na važne informacije (npr. oštećenje imovine), ali ne i na opasnost.



Pridržavajte se uputstava

Ovaj simbol označava da serviser treba da radi i održava ovaj uređaj samo u skladu sa uputstvima za upotrebu.

Pažljivo i s razumevanjem pročitajte ovo uputstvo za upotrebu pre upotrebe/puštanja u rad uređaja i čuvajte ih u neposrednoj blizini mesta ugradnje ili uređaja radi kasnije upotrebe!

Mere opreza radi izbegavanja mogućeg prekomernog izlaganja mikrotalasnoj energiji

- a. Ne pokušavajte da koristite ovu pećnicu sa otvorenim vratima jer to može dovesti do štetnog izlaganja mikrotalasnoj energiji. Važno je da ne pokvarite ili ne menjate sigurnosne blokade.
- b. Ne stavljajte nikakve predmete između prednje strane pećnice i vrata i ne dozvolite da se prljavština ili ostaci sredstva za čišćenje nakupljaju na zaptivnim površinama.
- c. **UPOZORENJE:** Ako su vrata ili zaptivke vrata oštećene, pećnica ne sme da se koristi dok je ne popravi stručna osoba.

Dodatak

Ako se uređaj ne održava u čistom stanju, njegova površina može degradirati, što može uticati na životni vek uređaja i dovesti do opasne situacije.

▲ UPOZORENJE

Da biste smanjili rizik od požara, električnog udara, povreda osoba ili izlaganja prekomernoj energiji mikrotalasne pećnice kada koristite uređaj, pratite osnovne mere opreza, uključujući sledeće:

- Pročitajte i sledite konkretno: „MERE OPREZA ZA IZBEGAVANJE MOGUĆE IZLOŽENOSTI PREKOMERNOJ MIKROTALASNOJ ENERGIJI”.
- Ovaj uređaj mogu da koriste deca uzrasta od 8 godina i više i osobe sa smanjenim fizičkim, senzornim ili mentalnim sposobnostima ili nedostatkom iskustva i znanja ako su pod nadzorom ili su im date instrukcije u vezi sa korišćenjem uređaja na bezbedan način i ako razumeju opasnosti koje su uključene. Deca ne smeju da se igraju ovim uređajem. Čišćenje i korisničko održavanje ne smeju da obavljaju deca bez nadzora.
- Držite uređaj i njegov kabl van domašaja dece mlađe od 8 godina.
- Ako je kabl za napajanje oštećen, potrebno je da ga zameni proizvođač, ovlašćeni serviser ili druga kvalifikovana osoba kako bi se izbegla opasnost.
- UPOZORENJE: Uverite se da je uređaj isključen pre zamene lampe kako biste izbegli mogućnost strujnog udara.

- UPOZORENJE: Opasno je za bilo koga osim za kompetentno lice da izvrši bilo kakvu operaciju servisiranja ili popravke koja uključuje uklanjanje poklopca koji pruža zaštitu od izlaganja mikrotalasnoj energiji.
- UPOZORENJE: Tečnosti i druga hrana se ne smeju zagrevati u zatvorenim posudama jer mogu eksplodirati.
- Kada zagrevate hranu u plastičnim ili papirnim posudama, pazite na pećnicu zbog mogućnosti paljenja.
- Koristite samo pribor koji je pogodan za upotrebu u mikrotalasnim pećnicama.
- Ako se pojavi dim, isključite ili iskopčajte uređaj iz struje i držite vrata zatvorena kako biste prigušili plamen.
- Zagrevanje pića u mikrotalasnoj pećnici može dovesti do odloženog eruptivnog ključanja, stoga morate biti oprezni pri rukovanju posudom.
- Sadržaj flašica za hranjenje i tegli sa hranom za bebe treba promešati ili protresti i proveriti temperaturu pre konzumiranja, kako bi se izbegle opekotine.
- Jaja u ljusci i cela tvrdo kuvana jaja ne treba zagrevati u mikrotalasnoj pećnici jer mogu eksplodirati čak i nakon što se mikrotalasno zagrevanje završi.
- Pećnicu treba redovno čistiti i uklanjati sve naslage hrane.

- Neodržavanje pećnice u čistom stanju može dovesti do propadanja površine što može negativno uticati na vek trajanja uređaja i može dovesti do opasne situacije.
- Uređaj se ne sme postavljati iza ukrasnih vrata kako bi se izbeglo pregrevanje. (Ovo nije primenjivo za uređaje sa ukrasnim vratima.)
- Koristite samo temperaturnu sondu preporučenu za ovu pećnicu. (Za pećnice koje imaju mogućnost korišćenja sonde sa senzorom temperature.)
- Mikrotalasna pećnica se ne sme postavljati u orman osim ako nije testirana za rad u ormanu.
- Mikrotalasna pećnica mora da radi sa otvorenim ukrasnim vratima. (Za pećnice sa ukrasnim vratima.)
- Ovaj uređaj namenjen je za upotrebu u domaćinstvu i sličnim primenama kao što su:
 - kuhinjski prostori za osoblje u prodavnicama, kancelarijama i drugim radnim okruženjima;
 - od strane klijenata u hotelima, motelima i drugim okruženjima stambenog tipa;
 - seoske kuće;
 - ugostiteljski objekti koji pružaju noćenje sa doručkom.
- Mikrotalasna pećnica je namenjena za zagrevanje hrane i pića. Isušivanje hrane, sušenje odeće, zagrevanje grejnih jastučića, papuča, sunđera, vlažnih krpa i sličnog može dovesti do rizika od povreda, paljenja ili požara.
- Metalne posude za hranu i piće nisu dozvoljene tokom kuvanja u mikrotalasnoj pećnici.
- Uređaj se ne sme čistiti parnim čistačem.

- Uređaj je namenjen za samostojeću upotrebu.
- Zadnja površina uređaja treba da bude postavljena uz zid.
- Uređaji nisu namenjeni za upravljanje pomoću spoljnog tajmera ili odvojenog sistema daljinskog upravljanja.
- Temperatura dostupnih površina može biti visoka kada uređaj radi.
- UPOZORENJE: Kada uređaj radi u kombinovanom režimu, deca bi trebalo da koriste pećnicu samo pod nadzorom odrasle osobe zbog visokih temperatura.

PAŽLJIVO PROČITAJTE I SAČUVAJTE ZA BUDUĆU UPOTREBU

Ugradnja uzemljenja radi smanjenja rizika od telesnih povreda

⚠ OPASNOST

Opasnost od električnog udara
Dodirivanje nekih unutrašnjih komponenti može izazvati ozbiljne telesne povrede ili smrt. Nemojte rastavljati ovaj uređaj.

⚠ UPOZORENJE

Opasnost od električnog udara
Nepravilna upotreba uzemljenja može dovesti do strujnog udara. Ne uključujte u utičnicu dok uređaj nije pravilno montiran i uzemljen.

Ovaj uređaj mora biti uzemljen. U slučaju električnog kratkog spoja, uzemljenje smanjuje rizik od strujnog udara tako što obezbeđuje izlazni strujni vod za električnu struju.

Ovaj uređaj je opremljen kablom koji ima žicu za uzemljenje i utikačem sa uzemljenjem. Utikač mora biti uključen u utičnicu koja je pravilno montirana i uzemljena.

Obratite se kvalifikovanom električaru ili serviseru ako uputstva za uzemljenje niste u potpunosti shvatili ili ako postoji sumnja da li je uređaj pravilno uzemljen. Ako je potrebno da koristite produžni kabl, koristite samo trožilni produžni kabl.

- Obezbeđen je kratak kabl za napajanje kako bi se smanjili rizici koji nastaju zbog zaplitanja ili saplitanja o duži kabl.
- Ako se koristi dugačak komplet kablova ili produžni kabl:
 - Označena električna snaga kompleta kablova ili produžnog kabla treba da bude najmanje onoliko koliko iznosi električna snaga uređaja.

- Produžni kabl mora biti trožilni kabl sa uzemljenjem.
- Dugačak kabl treba da bude postavljen tako da ne visi sa radne površine ili stola gde ga deca mogu povući ili se nenamerno spotaknuti.

Kuhinjski pribor

⚠ OPREZ

Opasnost od telesnih povreda

Opasno je za bilo koga osim za kompetentno lice da izvrši bilo kakvu operaciju servisiranja ili popravke koja uključuje uklanjanje poklopca koji pruža zaštitu od izlaganja mikrotalasnoj energiji. Pogledajte uputstva o materijalima koje možete koristiti u mikrotalasnoj pećnici ili koje treba izbegavati u mikrotalasnoj pećnici. Možda postoji određeni nemetalni pribor koji nije bezbedan za upotrebu u mikrotalasnoj pećnici. Ako ste u nedoumici, možete testirati kuhinjski pribor prateći proceduru u nastavku.

Testiranje kuhinjskog pribora:

- Stavite u posudu bezbednu za mikrotalasnu pećnicu 1 šolju hladne vode (250 ml) zajedno sa kuhinjskim priborom.
- Kuvajte na maksimalnoj snazi 1 minut.
- Pažljivo dodirnite kuhinjski pribor. Ako je prazan komad kuhinjskog pribora topao, nemojte ga koristiti za kuvanje u mikrotalasnoj pećnici.
- Ne prekoračujte vreme kuvanja od 1 minut.

SR

Materijali koje možete koristiti u mikrotalasnoj pećnici

Kuhinjski pribor	Napomene
Posuda za pečenje	Pratite uputstva proizvođača. Dno posude za pečenje mora biti najmanje 5 mm (3/16 inča) iznad obrtnog postolja. Nepravilna upotreba može dovesti do lomljenja obrtnog postolja.
Posuđe	Samo ono koje je bezbedno za mikrotalasnu pećnicu. Pratite uputstva proizvođača. Nemojte koristiti napukle ili okrnjene posude.
Staklene tegle	Uvek skinite poklopac. Koristite samo za zagrevanje hrane dok se ne zagreje. Većina staklenih tegli nije otporna na toplotu i može se polomiti.
Stakleno posuđe	Samo stakleno posuđe za rerne koje je otporno na toplotu. Uverite se da nema metalnih ukrasa. Nemojte koristiti napukle ili okrnjene posude.
Kese za kuvanje u pećnici	Pratite uputstva proizvođača. Ne zatvarajte metalnom kopčom. Napravite proreze kako biste omogućili da para izađe.
Papirni tanjiri i čaše	Koristite samo za kratkotrajno kuvanje/zagrevanje. Ne ostavljajte pećnicu bez nadzora tokom kuvanja.
Papirni ubrusi	Koristite za pokrivanje hrane za podgrevanje i upijanje masti. Koristite uz nadzor i samo za kratkotrajno kuvanje.
Pergament papir	Koristite kao poklopac za sprečavanje prskanja ili omot za paru.
Plastika	Samo ono koje je bezbedno za mikrotalasnu pećnicu. Pratite uputstva proizvođača. Treba da ima oznaku „Bezbedno za mikrotalasnu pećnicu“. Neke plastične posude omekšaju, jer se hrana unutra zagreva. „Kese za kuvanje“ i čvrsto zatvorene plastične kese treba da budu prorezane, probušene ili ventilirane prema uputstvima na pakovanju.
Plastični omot	Samo ono koje je bezbedno za mikrotalasnu pećnicu. Koristite za pokrivanje hrane tokom kuvanja kako biste zadržali vlagu. Ne dozvolite da plastična folija dodiruje hranu.
Termometri	Samo oni koji su bezbedni za mikrotalasnu pećnicu (termometri za meso i slatkiše).
Voštani papir	Koristite kao pokrivač da biste sprečili prskanje i zadržali vlagu.

Materijali koje treba izbegavati u mikrotalasnoj pećnici

Kuhinjski pribor	Napomene
Aluminijumsko posuđe	Može izazvati stvaranje električnog luka. Prebacite hranu u posudu za mikrotalasnu pećnicu.
Karton za hranu sa metalnom ručkom	Može izazvati stvaranje električnog luka. Prebacite hranu u posudu za mikrotalasnu pećnicu.
Metalni ili metalom obložen pribor	Metal štiti hranu od mikrotalasne energije. Metalna obloga može izazvati pojavu električnog luka.
Metalne kopče	Mogu izazvati pojavu električnog luka i požar u pećnici.
Papirne kese	Mogu izazvati požar u pećnici.
Plastična pena	Plastična pena može da se istopi ili kontaminira tečnu unutrašnjost kada je izložena visokoj temperaturi.
Drvo	Drvo će se osušiti kada se koristi u mikrotalasnoj pećnici i može se rascepiti ili puknuti.

SPECIFIKACIJE

MODEL	AG20CF2E / AG20CF2EBK
NOMINALNI NAPON	230 V-
NOMINALNA FREKVENCIJA	50 Hz
NOMINALNI ULAZ	1050 W
NOMINALNI IZLAZ (MIKROTALASI)	700 W
NOMINALNI ULAZ (ROŠTILJ)	1000 W

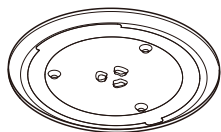
PREGLLED PROIZVODA

Nazivi delova i pribora pećnice

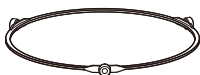
(U slučaju bilo kakvih razlika između uređaja i slika u ovom priručniku, proizvod će imati prednost.)

Uklonite pećnicu i sve materijale iz kartonskog pakovanja i šupljine pećnice.

Vaša pećnica dolazi sa sledećim priborom:



Staklena tacna



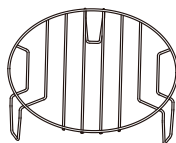
Sklop prstena obrtnog postolja



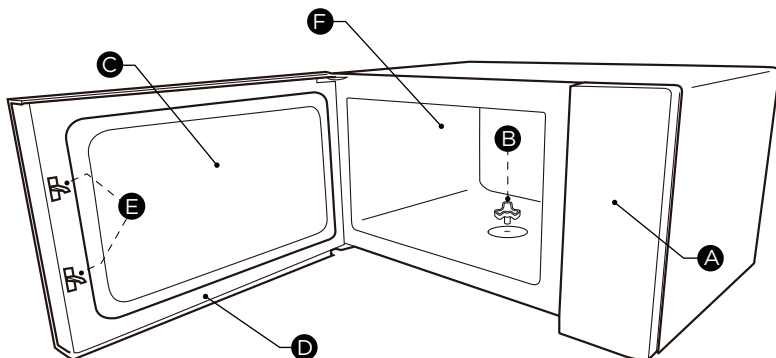
Uputstva za upotrebu



Osovina obrtnog postolja



Stalak za roštilj (ne može se koristiti sa mikrotalasnom funkcijom i mora se staviti na staklenu tacnu)



A) Kontrolna tabla

B) Osovina obrtnog postolja

C) Prozor za posmatranje

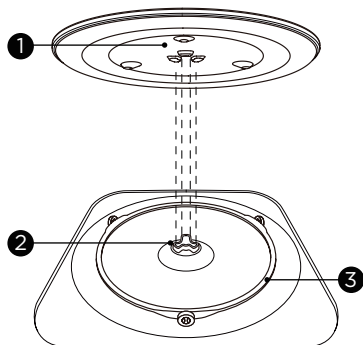
D) Sklop vrata

E) Sistem sigurnosne brave

F) Šupljina pećnice

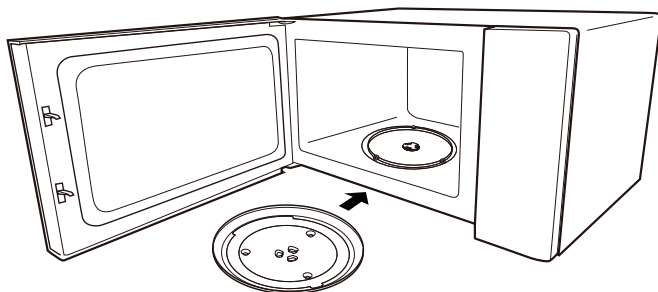
Postavljanje obrtnog postolja

Čišćenje odeljka za kuvanje i postavljanje obrtnog postolja na mesto. Pri montaži novog uređaja, uverite se da su sva ambalaža i trake za transport uklonjene sa osovine obrtnog postolja. Pre upotrebe uređaja za pripremu hrane po prvi put, moraćete da pravilno postavite obrtno postolje. Morate očistiti odeljak za kuvanje i pribor.



Kako postaviti obrtno postolje na mesto:

1. Postavite sklop prstena obrtnog postolja ③ u udubljenje u odeljku za kuvanje.
2. Postavite staklenu tacnu ① na sklop prstena obrtnog postolja ③. Namestite uzdignute, zakrivljene linije na sredini donje strane staklene tacne između tri zupca osovine. Osigurajte da staklena tacna ① naleže na osovinu obrtnog postolja ② na sredini donje površine odeljka za kuvanje. Valjci na osovini treba da nalegnu u grebene sa donje strane obrtnog postolja.



SR

NAPOMENE

- Nikada ne koristite uređaj bez obrtnog postolja. Osigurajte da pravilno naleže. Obrtno postolje se može okretati u smeru kazaljki na satu ili suprotno.
- Nikada ne postavljajte staklenu tacnu naopako. Staklena tacna nikada ne bi trebalo da bude blokirana.
- I staklena tacna i sklop prstena obrtnog postolja moraju se uvek koristiti tokom kuvanja.
- Sva hrana i posude sa hranom uvek se stavljaju na staklenu tacnu za kuvanje.
- Nikada ne ograničavajte kretanje obrtnog postolja.
- Ako staklena tacna ili sklop prstena obrtnog postolja napuknu ili se polome, kontaktirajte najbliži ovlašćeni servisni centar.

MONTAŽA PROIZVODA

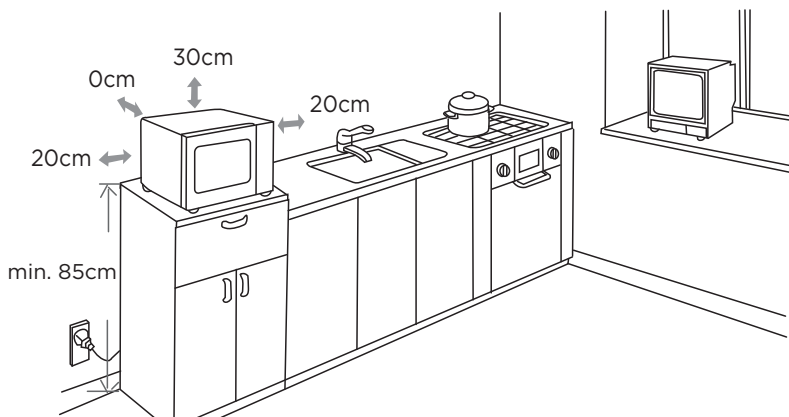
Montaža na radnoj površini

Uklonite svu ambalažu i pribor. Pregledajte pećnicu da li ima oštećenja kao što su ulubljenja ili slomljena vrata. Ne montirajte ako je pećnica oštećena.

Orman: Uklonite svu zaštitnu foliju koja se nalazi na površini mikrotalasne pećnice. Ne skidajte poklopac talasovoda koji je pričvršćen za šupljinu pećnice, da biste zaštitili magnetron.

Montaža

1. Izaberite ravnu površinu koja ima dovoljno slobodnog prostora za ulazne i/ili izlazne otvore.



- Minimalna visina ugradnje je 85cm.
 - Zadnja površina uređaja treba da bude postavljena uz zid. Ostavite minimalni razmak od 30 cm iznad pećnice i minimalni razmak od 20 cm između pećnice i susjednih zidova.
 - Ne skidajte nogare sa dna pećnice.
 - Blokiranje ulaznih i/ili izlaznih otvora može oštetiti pećnicu.
 - Postavite pećnicu što dalje od radija i TV-a. Rad mikrotalasne pećnice može uzrokovati smetnje vašem radio ili TV prijemu.
2. Uključite pećnicu u standardnu kućnu utičnicu. Uverite se da su napon i frekvencija isti kao napon i frekvencija navedeni na etiketi.

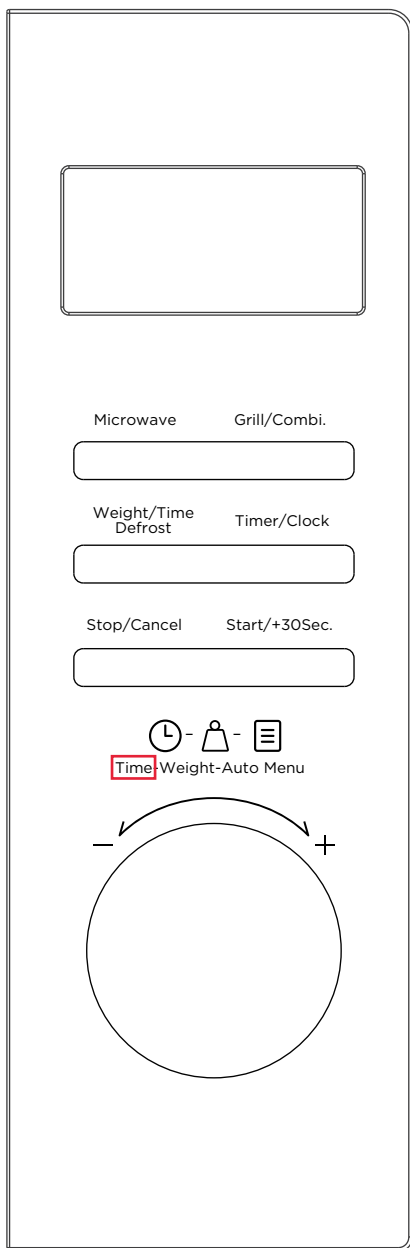
⚠ UPOZORENJE

Ne postavljajte pećnicu iznad ploče za kuvanje ili drugog uređaja koji proizvodi toplotu. Ako se pećnica postavi u blizini ili iznad izvora toplote, pećnica se može oštetiti, a garancija će bila nevažeća.

Dostupna površina može biti vruća tokom rada.



UPUTSTVO ZA RAD



SR

Podešavanje sata

1. Pritisnite „ Timer/Clock “ dvaput i prikazaće se „00:00“.
2. Okrenite dugme da biste podesili broj sati. Vreme treba da bude između 0-23.
3. Pritisnite „ Timer/Clock “ da biste potvrdili.
4. Okrenite dugme da biste podesili minute. Vreme treba da bude između 0-59.
5. Pritisnite „ Timer/Clock “ da biste potvrdili. Sat je podešen.

NAPOMENA

- Sat ima 24-časovni prikaz. Ako sat nije podešen, neće raditi kada se uključi.
- Da biste resetovali sat, ponovite korake od 1 do 5.
- Nakon koraka 4, ako „ Timer/Clock “ nije pritisnuto ili nema operacije u roku od 1 minuta,
- podešavanje će biti nevažeće.

Podešavanje kuhinjskog tajmera

1. Pritisnite „ Timer/Clock “ jednom i prikazaće se „0:00“.
2. Okrenite dugme da biste podesili željeno vreme. Maksimalna vrednost vremena je „95:00“.
3. Pritisnite „ Start/+30Sec.“ da biste potvrdili. Tajmer počinje da odbrojava.

NAPOMENA

Nijedan drugi program se ne može podesiti tokom rada kuhinjskog tajmera.

Kuvanje u mikrotalasnoj pećnici

Nivo snage

Dostupno je 5 nivoa snage.

Nivo snage	Prikaz
100%	P100
80%	P80
50%	P50
30%	P30
10%	P10

1. Pritisnite „ Microwave “ jednom i prikazaće se „P100“.
2. Pritiskajte „ Microwave “ više puta ili okrenite dugme da biste podesili nivo snage. Dostupno je 5 nivoa snage.
3. Pritisnite „ Start/+30Sec.“ da biste potvrdili.
4. Okrenite dugme da biste podesili vreme kuvanja. Maksimalna vrednost vremena je „95:00“.
5. Pritisnite „ Start/+30Sec.“ da biste započeli kuvanje.

NAPOMENA

Otvaranje vrata pećnice ili pritisnjanje „Stop/Cancel“ tokom rada će prekinuti trenutni režim.

Kuvanje na roštilju

1. Pritisnite „Grill/Combi.“ jednom i prikazaće se „G-1“.
2. Pritisnite „ Start/+30Sec.“ da biste potvrdili.
3. Okrenite dugme da biste podesili vreme kuvanja. Maksimalna vrednost vremena je „95:00“.
4. Pritisnite „ Start/+30Sec.“ da biste započeli kuvanje.

NAPOMENA

Kada prođe polovina vremena, zvučni signal će se oglasiti da vas podsetiti da okrenete hranu. Ako ne izvršite tu radnju, pećnica će nastaviti da radi.

Kombinovano kuvanje

1. Pritisnite „Grill/Combi.“ dvaput ili triput i pojaviće se „C-1“ i „C-2“.
2. Pritisnite „ Start/+30Sec.“ da biste potvrdili.
3. Okrenite dugme da biste podesili vreme kuvanja. Maksimalna vrednost vremena je „95:00“.
4. Pritisnite „ Start/+30Sec.“ da biste započeli kuvanje.

Funkcija	Prikaz	Snaga mikrotalasa	Snaga roštilja
Kombinovano 1	C-1	55%	45%
Kombinovano 2	C-2	36%	64%

SR

Odmrzavanje na osnovu težine

1. Pritisnite „ Weight/Time Defrost “ jednom i na ekranu će se prikazati „dEF1“.
2. Okrenite dugme da biste podesili težinu hrane. Raspon težine je 100-2000 g.
3. Pritisnite „ Start/+30Sec.“ da biste započeli odmrzavanje.

NAPOMENA

Zvučni signal će se oglasiti da vas podseti da okrenete hranu tokom odmrzavanja. Ako ne izvršite tu radnju, pećnica će nastaviti da radi.

Odmrzavanje na osnovu vremena

1. Pritisnite „ Weight/Time Defrost “ dvaput i na ekranu će se prikazati „dEF2“.
2. Okrenite dugme da biste podesili željeno vreme odmrzavanja. Maksimalna vrednost vremena je „95:00“.
3. Pritisnite „ Start/+30Sec.“ da biste započeli odmrzavanje.

NAPOMENA

- Kada prođe polovina vremena, zvučni signal će se oglasiti da vas podsetiti da okrenete hranu. Ako ne izvršite tu radnju, pećnica će nastaviti da radi.
- Snaga odmrzavanja je P30 i ne može se promeniti.

Višefazno kuvanje

NAPOMENE

- U višefaznom kuvanju mogu se podesiti dve faze kuvanja.
- Ako podesite funkciju odmrzavanja, ona će raditi automatski u prvoj fazi.
- Kuhinjski tajmer i automatski meni se ne mogu podesiti kao jedna od faza.

Primer: Odmrzavajte hranu 5 minuta, a zatim kuvajte na 80% snage mikrotalasne pećnice 7 minuta.

1. Pritisnite „ $\frac{\text{Weight/Time}}{\text{Defrost}}$ “ dvaput i na ekranu će se prikazati „dEF2“.
2. Okrenite dugme da biste podesili željeno vreme odmrzavanja od 5 minuta.
3. Pritisnite „ Microwave “ i prikazaće se „P100“.
4. Okrenite dugme da biste podesili nivo snage P80. Zatim pritisnite „ Start/+30Sec. “ da biste potvrdili.
5. Okrenite dugme da biste podesili vreme kuvanja od 7 minuta.
6. Pritisnite „ Start/+30Sec. “ da biste započeli kuvanje.

Brzo kuvanje

1. U režimu pripravnosti, pritisnite „ Start/+30Sec. “ da biste kuvali hranu sa 100% nivoa snage 30 sekundi. Svaki pritisak na isto dugme može da produži vreme za 30 sekundi, a maksimalna vrednost vremena je 95 minuta.
2. U režimu pripravnosti, okrenite dugme ulevo da biste podesili vreme kuvanja sa 100% snage. Zatim nastavite da okrećete dugme da biste podesili vreme kuvanja. Maksimalna vrednost vremena je 95 minuta. Pritisnite „ Start/+30Sec. “ da biste započeli kuvanje.

SR

Funkcija zaključavanja za decu

Ovu funkciju možete koristiti da biste sprečili decu da slučajno uključe pećnicu. Da biste aktivirali zaključavanje:

U režimu pripravnosti pritisnite i držite „ Stop/Cancel “ tri sekunde. Čuje se zvučni signal i „ $\left[\begin{array}{|c|} \hline \square \\ \hline \end{array} \right]$ “ će se prikazati.

Da biste deaktivirali zaključavanje:

U zaključanom stanju, pritisnite i držite „ Stop/Cancel “ tri sekunde. Čuće se zvučni signal.

Funkcija upita

1. Ako je sat podešen, trenutno vreme će se prikazati na tri sekunde pritiskom na „Timer/Clock“ u stanju kuvanja.
2. U stanju kuvanja mikrotalasima, pritisnite „Microwave“ da biste saznali nivo snage. Prikazaće se na tri sekunde. U stanju kuvanja na roštilju i u stanju kombinovanog kuvanja, upit se može izvršiti pritiskom na „Grill/Combi“.

Automatski meni

1. Okrenite dugme udesno i tada će treptati „A-1“.
2. Nastavite da okrećete dugme da biste izabrali meni koji vam je potreban. Dostupno je 8 automatskih menija.
3. Pritisnite „Start/+30Sec.“ da biste potvrdili.
4. Okrenite dugme da biste podesili težinu hrane.
5. Pritisnite „Start/+30Sec.“ da biste započeli kuvanje.



NAPOMENE

- Otvaranje vrata pećnice ili pritiskanje „Stop/Cancel“ tokom rada će prekinuti trenutni režim.
- Potrebno je prvo okrenuti dugme udesno u režimu mirovanja da biste izabrali „Auto Menu“ (Automatski meni). Ako prvo okrenete dugme ulevo, ući ćete u vreme kuvanja za brzo kuvanje.

Tabela menija:

Meni	Weight (Težina)	Prikaz	Snaga
A-1 Automatsko podgrevanje	200 g	200	P100
	400g	400	
	600g	600	
A-2 Povrće	200 g	200	P100
	300g	300	
	450g	450	
A-3 Riba	150g	150	C-2
	300g	300	
	450g	450	
A-4 Meso	200 g	200	C-2
	300g	300	
	500g	500	
A-5 Testenina	50 g (sa 450 g hladne vode)	50	P80
	100g (sa 800g hladne vode)	100	
A-6 Krompir	1(230 g)	1	P100
	2	2	
	3	3	
A-7 Pica	200 g	200	P100
	400g	400	
A-8 Pirinač	200 g	200	P100+P50
	400g	400	

SR

ČIŠĆENJE I ODRŽAVANJE

Obavezno isključite uređaj iz napajanja.

- Očistite šupljinu pećnice nakon upotrebe blago vlažnom krpom.
- Očistite pribor na uobičajen način u vodi sa sapunom.
- Okvir vrata, zaptivka i susedni delovi moraju se pažljivo očistiti vlažnom krpom kada su prljavi.
- Nemojte koristiti gruba abrazivna sredstva za čišćenje ili oštre metalne strugače za čišćenje stakla na vratima pećnice jer mogu izgrebati površinu, što može dovesti do pucanja stakla.
- Savet za čišćenje - Za lakše čišćenje zidova šupljine sa kojima kuvana hrana može doći u dodir: Stavite pola limuna u činiju, dodajte 300 ml (1/2 pinte) vode i zagrevajte na 100% snage mikrotalasa 10 minuta. Obrišite pećnicu mekom, suvom krpom.

REŠAVANJE PROBLEMA


Normalno

Mikrotalasna pećnica ometa TV prijem	Radio i TV prijem mogu imati smetnje kada mikrotalasna pećnica radi. Slično je ometanju od strane malih električnih uređaja kao što su mikser, usisivač i električni ventilator. To je normalno.
Prigušeno svetlo u pećnici	Pri mikrotalasnom kujanju malom snagom, svetlo u pećnici može postati prigušeno. To je normalno.
Para se nakuplja na vratima, vruć vazduh izlazi iz ventilacionih otvora	Tokom kuanja, para može izlaziti iz hrane. Većina će izaći kroz ventilacione otvore. Ali deo se može nakupiti na hladnom mestu kao što su vrata pećnice. To je normalno.
Pećnica je slučajno uključena bez hrane.	Zabranjeno je pokretanje uređaja bez hrane. To je veoma opasno.

Problem	Mogući uzrok	Rešenje
Pećnica ne može da se pokrene.	• Kabl za napajanje nije čvrsto priključen.	• Isključite ga. Zatim ga ponovo uključite posle 10 sekundi.
	• Pregoreo je osigurač ili se aktivirao prekidač strujnog kola.	• Zamenite osigurač ili ponovo podesite prekidač strujnog kola (popravku može da obavi stručno osoblje naše kompanije)
	• Problem sa utičnicom.	• Testirajte utičnicu sa drugim električnim uređajima.
Pećnica se ne zagreva.	• Vrata nisu dobro zatvorena.	• Dobro zatvorite vrata.

SR

ZAŠTITNI ZNAKOVI, AUTORSKA PRAVA I PRAVNA IZJAVA

 Midea logotip, slovni žigovi, trgovački naziv, robna marka i sve njihove verzije su vredna imovina Midea Grupe i/ili njenih filijala („Midea“), kod kojih Midea poseduje žigove, autorska prava i druga prava intelektualne svojine, kao i svu dobru volju proisteklu iz korišćenja bilo kog dela zaštitnog znaka Midea. Korišćenje zaštitnog znaka Midea u komercijalne svrhe bez prethodne pismene saglasnosti Midea može predstavljati povredu zaštitnog znaka ili nelojalnu konkurenciju u suprotnosti sa relevantnim zakonima.

Ovaj priručnik je kreirala Midea i Midea zadržava sva autorska prava. Nijedan pravni subjekt ili pojedinac ne može koristiti, umnožavati, modifikovati, distribuirati u celini ili delimično ovaj priručnik, ili združivati ili prodavati sa drugim proizvodima bez prethodne pismene saglasnosti Midea.

Sve opisane funkcije i uputstva su bile ažurne u vreme štampanja ovog uputstva. Međutim, stvarni proizvod može da se razlikuje zbog poboljšanja funkcija i dizajna.

ODLAGANJE I RECIKLAŽA

Važna uputstva vezano za životnu sredinu

Usklađenost sa WEEE direktivom i odlaganje otpadnih proizvoda:
Ovaj proizvod je usklađen sa EU WEEE direktivom (2012/19/EU). Ovaj proizvod nosi klasifikacioni simbol za otpadnu električnu i elektronsku opremu (WEEE).

Ovaj simbol označava da se ovaj proizvod ne sme odlagati sa drugim kućnim otpadom na kraju svog radnog veka. Korišćeni uređaj se mora vratiti na zvanično sabirno mesto za reciklažu električnih elektronskih uređaja. Da biste pronašli ove sisteme za sakupljanje, obratite se lokalnim vlastima ili prodavcu kod koga je proizvod kupljen. Svako domaćinstvo ima važnu ulogu u obnavljanju i reciklaži starih uređaja. Odgovarajuće odlaganje korišćenog uređaja pomaže u sprečavanju potencijalnih negativnih posledica po životnu sredinu i ljudsko zdravlje.



Usklađenost sa RoHS direktivom

Proizvod koji ste kupili je u skladu sa EU RoHS direktivom (2011/65/EU). Ne sadrži štetne i zabranjene materijale navedene u Direktivi.

Informacije o pakovanju

Ambalaža proizvoda je proizvedena od materijala koji se mogu reciklirati u skladu sa našim nacionalnim propisima o zaštiti životne sredine. Nemojte odlagati ambalažu zajedno sa kućnim ili drugim otpadom. Onesite je na mesta za sakupljanje ambalaže koja su odredile lokalne vlasti.



SR

OBAVEŠTENJE O ZAŠTITI PODATAKA

Vezano za pružanje usluga ugovorenih sa kupcem, saglasni smo da ćemo se bez ograničenja pridržavati svih odredbi važećeg zakona o zaštiti podataka u zemljama u kojima će usluge klijentu biti isporučene, kao i, gde je primenjivo, Opšte uredbe EU o zaštiti podataka (GDPR).

Generalno, obradu podataka vršimo da bismo ispunili našu obavezu prema ugovoru sa vama, iz razloga bezbednosti proizvoda i radi zaštite vaših prava u vezi sa garancijom i registracijom proizvoda. U nekim slučajevima, ali samo ako je obezbeđena odgovarajuća zaštita podataka, lični podaci se mogu preneti primaocima koji se nalaze izvan Evropskog ekonomskog prostora.

Dodatne informacije se daju na zahtev. Možete kontaktirati našeg službenika za zaštitu podataka putem **MideaDPO@midea.com**. Da biste ostvarili svoja prava, kao što je pravo na prigovor na obradu vaših ličnih podataka u svrhe direktnog marketinga, kontaktirajte nas putem **MideaDPO@midea.com**. Da biste pronašli dodatne informacije, pratite QR kod.



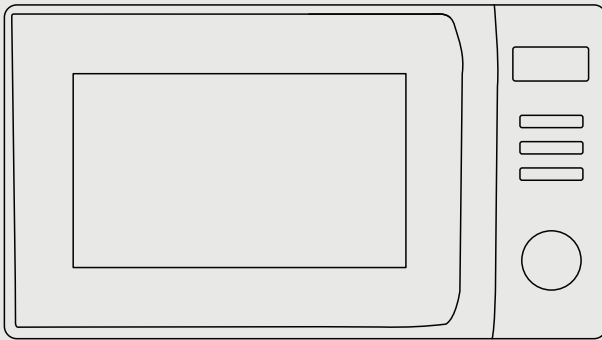
make yourself at home

SR



www.midea.com

© Midea 2024 all rights reserved



BG

МИКРОВЪЛНОВА ФУРНА

РЪКОВОДСТВО ЗА ПОТРЕБИТЕЛЯ

AG20CF2E
AG20CF2EBK

Предупредителни бележки: Преди да използвате този продукт, прочетете внимателно това ръководство и го запазете за бъдещи справки. Дизайнът и спецификациите подлежат на промяна без предварително известие с цел подобрене на продукта. Консултирайте се с търговеца или производителя за повече подробности. Диаграмата по-горе е само за справка. Моля, приемерте външния вид на действителния продукт като стандарт.

БЛАГОДАРСТВЕНО ПИСМО

Благодарим Ви, че избрахте Midea! Преди да използвате новия си уред Midea, прочетете внимателно това ръководство, за са сте сигурни, че знаете как да използвате безопасно функциите, които този нов уред предлага.

СЪДЪРЖАНИЕ

БЛАГОДАРСТВЕНО ПИСМО	BG-01
ИНСТРУКЦИИ ЗА БЕЗОПАСНОСТ	BG-02
СПЕЦИФИКАЦИИ	BG-12
ОБЩ ПРЕГЛЕД НА ПРОДУКТА	BG-13
МОНТАЖ НА ПРОДУКТА	BG-15
ИНСТРУКЦИИ ЗА РАБОТА	BG-16
ПОЧИСТВАНЕ И ПОДДРЪЖКА	BG-22
ОТСТРАНЯВАНЕ НА НЕИЗПРАВНОСТИ	BG-23
ТЪРГОВСКИ МАРКИ, АВТОРСКИ ПРАВА И ПРАВНА ИНФОРМАЦИЯ	BG-24
ИЗХВЪРЛЯНЕ И РЕЦИКЛИРАНЕ	BG-25
ДЕКЛАРАЦИЯ ЗА ЗАЩИТА НА ЛИЧНИТЕ ДАННИ	BG-26

ИНСТРУКЦИИ ЗА БЕЗОПАСНОСТ

Предназначение

Следващите указания за безопасност имат за цел да предотвратят непредвидени рискове или щети от опасна или неправилна работа с уреда. Проверете опаковката и уреда при пристигането, за да се уверите, че всичко е непокътнато и да осигурите безопасна работа. Ако откриете някаква повреда, моля, свържете се с търговеца на дребно или дилъра. Имайте предвид, че модификациите или измененията на уреда не са разрешени от съображения за вашата безопасност. Употребата не по предназначение може да причини опасности и загуба на гаранционни искове.

Обяснение на символите



Опасност

Този символ показва, че има опасност за живота и здравето на хората поради силно възпламеним газ.



Предупреждение за електрическо напрежение

Този символ показва, че има опасност за живота и здравето на хората поради високо напрежение.



Предупреждение

Сигналната дума показва опасност със средно ниво на риск, която, ако не бъде избегната, може да доведе до смърт или сериозно нараняване.



Предпазни

Сигналната дума показва опасност с ниска степен на риск, която, ако не бъде избегната, може да доведе до леко или средно нараняване.



Внимание

Сигналната дума показва важна информация (напр. материални щети), но не и опасност.



Спазвайте инструкциите

Този символ посочва, че сервизен техник трябва да работи и поддържа този уред само в съответствие с инструкциите за експлоатация.

BG

Прочетете тези инструкции за експлоатация много внимателно, преди да използвате/въведете уреда в експлоатация и ги дръжте в непосредствена близост до мястото на монтаж или уреда за по-късна справка!

Предпазни мерки за избягване на възможно излагане на прекомерна микровълнова енергия

- a. Не се опитвайте да работите с тази фурна с отворена врата, тъй като това може да доведе до вредно излагане на микровълнова енергия. Важно е да не се чупят или подправят предпазните блокировки.
- b. Не поставяйте никакви предмети между предната страна на фурната и вратата и не позволявайте замърсяване или остатъци от почистващ препарат да се натрупат върху уплътнителните повърхности.
- c. **ПРЕДУПРЕЖДЕНИЕ:** При повреда във вратата или нейните уплътнения, фурната не трябва да се използва докато не бъдат ремонтирани от компетентно лице.

Допълнително приложение

Ако уредът не се поддържа в добро, чисто състояние, повърхността му може да се повреди и да повлияе на живота на уреда, както и да доведе до опасни ситуации.

▲ ПРЕДУПРЕЖДЕНИЕ

За да намалите риска от пожар, токов удар, нараняване на хора или излагане на прекомерна енергия от микровълновата фурна, когато използвате вашия уред, следвайте основните предпазни мерки, включително следното:

- Прочетете и следвайте конкретните мерки: "ПРЕДПАЗНИ МЕРКИ ЗА ИЗБЯГВАНЕ НА ВЪЗМОЖНО ИЗЛАГАНЕ НА ПРЕКОМЕРНА МИКРОВЪЛНОВА ЕНЕРГИЯ".
- Този уред може да се използва от деца на и над 8-годишна възраст, както и от лица с ограничени физически, сетивни или умствени способности, или такива без опит и познания, ако са били наблюдавани или инструктирани относно използването на уреда по безопасен начин и разбират свързаните с това опасности. Децата не трябва да играят с уреда. Почистването и поддръжката не трябва да се извършват от деца без наблюдение.
- Пазете уреда и неговия кабел далеч от обсега на деца, които са по-малки от 8 години.
- При повреда в захранващия кабел е необходимо да се смени от производителя, техен сервизен агент или лице с подобна квалификация, за да се избегнат опасности.
- **ПРЕДУПРЕЖДЕНИЕ:** Уверете се, че уредът е изключен, преди да смените лампата, за да избегнете опасността от токов удар.

- **ПРЕДУПРЕЖДЕНИЕ:** Опасно Е за всеки, освен компетентните лица, да извършва сервиз или ремонт, който включва отстраняване на капака, предоставящ защита срещу излагане на микровълнова енергия.
- **ПРЕДУПРЕЖДЕНИЕ:** Течностите и другите храни не трябва да се подгриват в запечатани контейнери, тъй като е възможно да експлодират.
- Когато подгривате храна в пластмасови или хартиени контейнери, наблюдавайте фурната поради възможност от запалване.
- Използвайте само домакински прибори, които са подходящи за използване в микровълнови фурни.
- Ако се излъчва дим, изключете уреда и извадете щепсела и дръжте вратата затворена, за да задушите пламъците.
- Микровълновото нагряване на напитки може да доведе до закъсняло бурно кипене и следователно е необходимо да сте внимателни при боравене с контейнера.
- Съдържанието на бутилките за хранене и бурканчетата с бебешки крани трябва да се разбърква или разклаща, а температурата да се проверява преди консумация, за да се избегнат изгаряния.
- Яцата в техните черупки не трябва да се подгриват в микровълнови фурни, тъй като могат да експлодират, дори след завършване на нагряването с микровълни.
- Фурната трябва да се почиства редовно, а остатъците от храна да се отстраняват.

- Неспазването за поддържане на фурната в чисто състояние може да доведе до влошаване на повърхностите и да повлияе неблагоприятно експлоатационния живот на уреда с възможност за опасна ситуация.
- Уредът не трябва да се монтира зад декоративна врата, за да се избегне прегряване. (Това не е приложимо за уреди с декоративна врата.)
- Използвайте само температурната сонда, препоръчана за тази фурна. (за фурни, снабдени с възможност за използване на температурна сензорна сонда.)
- Микровълновата фурна не трябва да се поставя в шкаф, освен ако не е тествана в шкаф.
- Микровълновата фурна трябва да работи с отворена декоративна врата. (за фурни с декоративна врата.)
- Този уред е предназначен да се използва в домакинства и други подобни, като:
 - кухни за персонала в магазини и други работни среди;
 - от клиенти в хотели мотели и други жилищни среди;
 - ферми;
 - в заведения, предлагащи легло и закуска.
- Микровълновата фурна е предназначена за подгряване на храни и напитки. Изсушаването на храни или дрехи и подгряването на затоплящи подложки, чехли, гъби, влажни дрехи и други подобни, може да доведе до риск от нараняване, запалване или пожар.
- Металните контейнери за храна и напитки не са подходящи за готвене с микровълни.
- Уредът не трябва да се почиства с парочистачка.

- Уредът е предназначен да се използва самостоятелно.
- Задната повърхност на уредите трябва да бъде поставена срещу стена.
- Уредите не са предназначени да се управляват с помощта на външен таймер или отделна система за дистанционно управление.
- Температурата на достъпните повърхности може да бъде висока по време на работа на уреда.
- **ПРЕДУПРЕЖДЕНИЕ:** Когато уредът работи в комбиниран режим, децата могат да използват фурната само под наблюдение на възрастни поради генерираната висока температура.

ПРОЧЕТЕТЕ ВНИМАТЕЛНО И ЗАПАЗЕТЕ ЗА БЪДЕЩИ СПРАВКИ

За да намалите риска от нараняване на хора - инсталиране на заземяване

⚠ ОПАСНОСТ

Опасност от токов удар

Докосването на някои от вътрешните компоненти може да причини сериозно нараняване или смърт. Не разглобявайте този уред.

⚠ ПРЕДУПРЕЖДЕНИЕ

Опасност от токов удар

Неправилното използване на заземяването може да доведе до токов удар. Не включвайте в контакт, докато уредът не е правилно инсталиран и заземен.

Този уред трябва да бъде заземен. В случай на електрическо късо съединение заземяването намалява риска от токов удар, като осигурява спасителен проводник за електрическия ток.

Този уред е оборудван с кабел за заземяване с щепсел за заземяване. Щепселът трябва да бъде включен в контакт, който е правилно инсталиран и заземен.

Консултирайте се с квалифициран електротехник или сервиз, ако инструкциите за заземяване не са напълно разбрани или ако има съмнение дали уредът е правилно заземен.

Ако е необходимо да използвате удължителен кабел, използвайте само 3-жилен удължителен кабел.

- Осигурен е къс захранващ кабел, за да се намалят рисковете от оплитане или спъване в по-дълъг кабел.
- Ако се използва дълъг комплект кабели или удължителен кабел:
 - Маркираната номинална електрическа мощност на комплекта кабели или удължителния кабел трябва да бъде поне толкова голяма, колкото е номиналната електрическа мощност на уреда.

- Удължителният кабел трябва да е 3-жилен кабел със заземяване.
- Дългият кабел трябва да бъде подреден така, че да не се спуска върху плота или масата, където може да бъде издърпан от деца или неволно някой да се спъне в него.

Съдове и прибори

ПРЕДПАЗНИ

Опасност от нараняване

Опасно Е за всеки, освен компетентните лица, да извършва сервиз или ремонт, който включва отстраняване на капака, предоставящ защита срещу излагане на микровълнова енергия. Вижте инструкциите за "Материали, които можете да използвате в микровълнова фурна или използването на които трябва да се избягва в микровълнова фурна". Може да има определени неметални прибори, които не е безопасно да използвате в микровълновата фурна. Ако се съмнявате, можете да тествате въпросния прибор, като следвате процедурата по-долу.

BG

Тест за съдове и прибори:

- Напълнете подходящ за микровълнова фурна съд с 1 чаша студена вода (250 мл), заедно с въпросния съд.
- Гответе на максимална мощност за 1 минута.
- Внимателно докоснете съда. Ако празният съд е топъл, не го използвайте за готвене в микровълнова фурна.
- Не превишавайте времето за готвене от 1 минута.

Материали, които можете да използвате в микровълновата фурна

Съдове и прибори	Забележки
Съд за печене	Следвайте инструкциите на производителя. Дъното на съда за печене трябва да е на поне 3/16 инча (5 мм) над въртящата се поставка. Неправилната употреба може да доведе до счупване на въртящата се плоча.
Сервизи за хранене	Подходящи за микровълнова фурна. Следвайте инструкциите на производителя. Не използвайте напукани или счупени съдове.
Стъклени буркани	Винаги отстранявайте капака. Използвайте само за затопляне на храна, докато се затопли. Повечето стъклени буркани не са термоустойчиви и могат да се счупят.
Стъклени съдове	Само термоустойчиви стъклени съдове за фурна. Уверете се, че няма метални елементи по тях. Не използвайте напукани или счупени съдове.
Торбички за готвене на фурна	Следвайте инструкциите на производителя. Не затваряйте с метална връзка. Направете прорези, за да може парата да излиза.
Хартиени чинии и чаши	Използвайте само за краткотрайно готвене/затопляне. Не оставяйте фурната без надзор, докато готвите.
Хартиени кърпи	Използвайте за покриване на храна за претопляне и абсорбиране на мазнина. Използвайте под надзор само за краткотрайно готвене.
Пергаментова хартия	Използвайте като покривало за предотвратяване на пръски или опаковка за задушаване.
Пластмаса	Подходящи за микровълнова фурна. Следвайте инструкциите на производителя. Трябва да има етикет "Безопасно за микровълнова фурна". Някои пластмасови контейнери омекват, тъй като храната вътре се нагорещява. "Торбичките за варене" и плътно затворените пластмасови торбички трябва да бъдат нарязани, пробити или вентилирани, както е указано на опаковката.
Пластмасова опаковка	Подходящи за микровълнова фурна. Използвайте за покриване на храна по време на готвене, за да запазите влагата. Не позволявайте пластмасовата опаковка да докосва храната.
Термометри	Само за микровълнова фурна (термометри за месо и бонбони).
Восъчна хартия	Използвайте като покритие за предотвратяване на пръски и задържане на влага.

Материали, които трябва да се избягват в микровълнова фурна

Съдове и прибори	Забележки
Алуминиева тава	Може да причини искра. Прехвърлете храната в подходяща за микровълнова фурна чиния.
Картонена кутия за храна с метална дръжка	Може да причини искра. Прехвърлете храната в подходяща за микровълнова фурна чиния.
Метални или декорирани с метал съдове и прибори	Металът предпазва храната от микровълновата енергия. Металната облицовка може да причини искра.
Метални усукани връзки	Може да причини искра и пожар във фурната.
Хартиени торбички	Може да причини пожар във фурната.
Пластмасова пяна	Пластмасовата пяна може да се стопи или да замърси течността вътре, когато е изложена на висока температура.
Дърво	Дървото ще изсъхне, когато се използва в микровълнова фурна и може да се разцепи или напука.

СПЕЦИФИКАЦИИ

МОДЕЛ	AG20CF2E / AG20CF2EBK
НОМИНАЛНО НАПРЕЖЕНИЕ	230V~
НОМИНАЛНА ЧЕСТОТА	50Hz
НОМИНАЛЕН ВХОД	1050W
НОМИНАЛНА МОЩНОСТ (МИКРОВЪЛНОВА)	700W
НОМИНАЛЕН ВХОД (СКАРА)	1000W

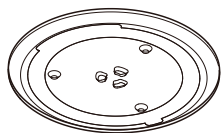
ОБЩ ПРЕГЛЕД НА ПРОДУКТА

Имена на частите и аксесоарите на фурната

(В случай на разлики между уреда и снимките в това ръководство, продуктът има предимство.)

Извадете фурната и всички материали от кашона и вътрешността на фурната.

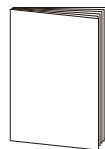
Вашата фурна се доставя със следните аксесоари:



Стъклен поднос



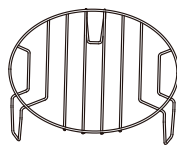
Монтаж на въртящия се пръстен



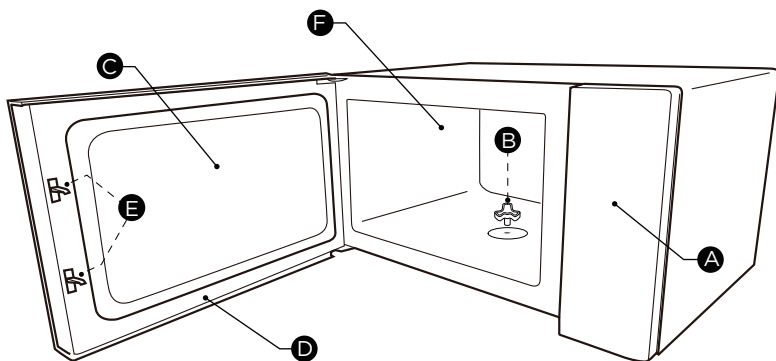
Инструкции за употреба



Въртящ се вал



Решетка за скара (не може да се използва в микровълнова фурна и трябва да се постави върху стъкления поднос)

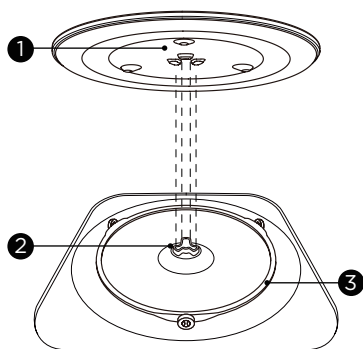


- A) Панел за управление
- B) Въртящ се вал
- C) Прозорец за наблюдение

- D) Монтаж на вратата
- E) Система за безопасно блокиране
- F) Вътрешност на фурната

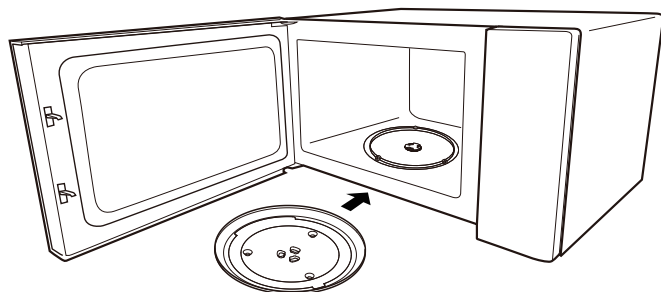
Монтаж на въртящата се плоча

Почистете отделението за готвене и поставете въртящата се плоча на място. При нови инсталации се уверете, че всички опаковъчни и транспортни ленти са премахнати от вала на въртящата се плоча. Преди да използвате уреда за приготвяне на храна за първи път, ще трябва да поставите правилно въртящата се плоча. Трябва да почистите отделението за готвене и аксесоарите.



Как да поставите въртящата се плоча на място:

1. Поставете монтажа на въртящия се пръстен (3) във вдлъбнатината в отделението за готвене.
2. Поставете стъклената подложка (1) на въртящия се пръстен (3). Поставете издатините на дъното в центъра на подложката между трите спици в колелото на вала. Уверете се, че стъклената подложка (1) се зацепва във вала (2) в центъра на дъното на камерата за готвене. Ролките на вала трябва да прилягат в жлеба от долната страна на въртящата се подложка.



BG

ЗАБЕЛЕЖКИ

- Никога не използвайте уреда без въртяща се подложка. Уверете се, че е зацепена правилно. Въртящата се подложка може да се върти по часовниковата стрелка или обратно.
- Никога не поставяйте стъклената подложка обратно. Стъклената подложка никога не трябва да бъде ограничавана.
- Стъклената подложка и въртящия се пръстен трябва винаги да се използват по време на готвене.
- Всички хранителни продукти и контейнери с продукти трябва винаги да се поставят върху стъклената подложка.
- Никога не ограничавайте движението на въртящата се подложка.
- Ако стъклената подложка или въртящия се пръстен се напукат или счупят, се свържете с най-близкия упълномощен сервизен център.

МОНТАЖ НА ПРОДУКТА

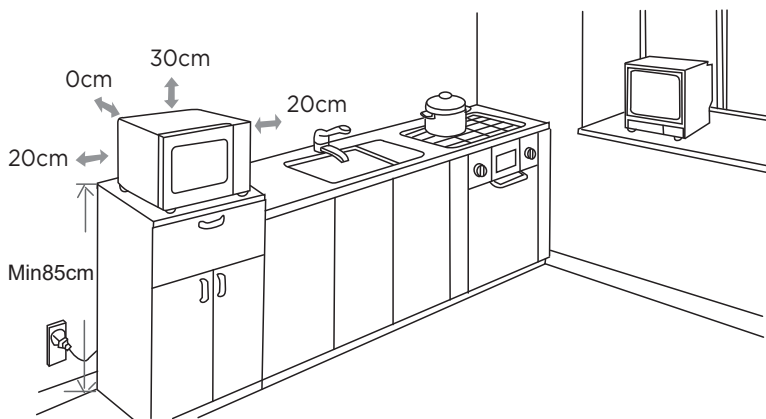
Поставяне върху плот

Отстранете всички опаковъчни материали и приспособления. Проверете фурната за повреди, като вдлъбнатини или счупена врата. Не включвайте фурната, ако е повредена.

Шкаф: Отстранете защитното фолио от повърхността на микровълновата фурна. Не сваляйте капака на вълновода, прикрепен към вътрешността на фурната за предпазване на магнетрона.

Монтаж

1. Изберете хоризонтална повърхност, която осигурява достатъчно пространство за фурната и отворите за входящ и изходящ въздух.



- Минималната височина за монтаж е 85 cm.
 - Задната повърхност на уреда трябва да се опира на стена.
 - Оставете минимално разстояние от 30 cm над фурната. Необходимо е да оставите разстояние от 20 cm между фурната и прилежащите стени.
 - Не отстранявайте краката от долната страна на фурната.
 - Ако отворите за входящ и изходящ въздух са блокирани, фурната може да се повреди.
 - Разположете фурната възможно най-далеч от радио и телевизионни приемници. Когато микровълновата фурна работи, може да предизвика смущения в радио и телевизионния сигнал.
2. Включете фурната в стандартен електрически контакт. Уверете се, че напрежението и честотата съвпадат с посочените на табелата на уреда.

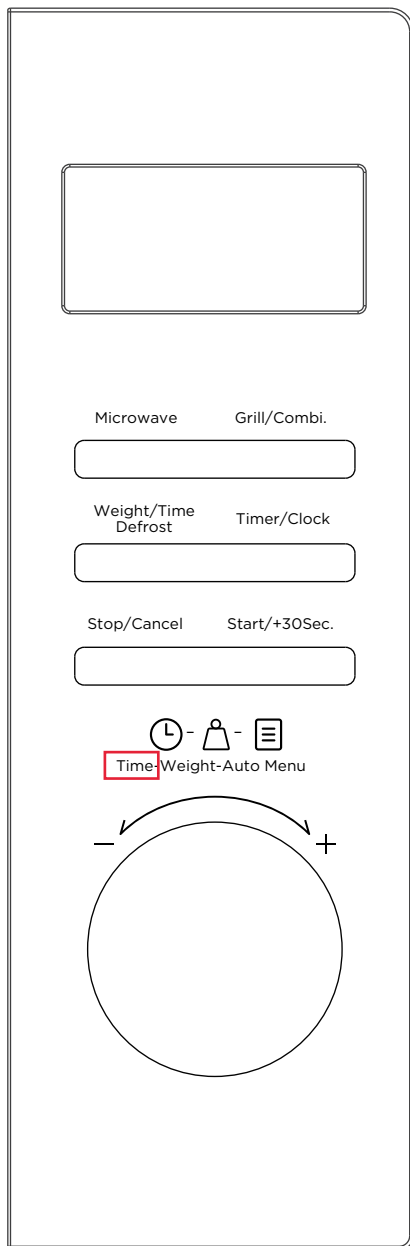
⚠ ПРЕДУПРЕЖДЕНИЕ

Не монтирайте фурната над котлони или други генериращи топлина уреди. Ако бъде монтирана в близост до или над източник на топлина, фурната може да се повреди, което ще анулира гаранцията.

Възможно е достъпните повърхности да се нагреят по време на работа.



ИНСТРУКЦИИ ЗА РАБОТА



BG

Настройка на часовника

1. Натиснете двукратно бутона "Timer/Clock" – на дисплея се показва индикация "00:00".
2. Завъртете въртящия бутон, за да зададете часа. Часът трябва да бъде между 0-23.
3. Натиснете "Timer/Clock" за потвърждение.
4. Завъртете въртящия бутон, за да зададете минутите. Минутите трябва да бъдат между 0-59.
5. Натиснете "Timer/Clock" за потвърждение. Часовникът е настроен.

ЗАБЕЛЕЖКА

- Дисплеят показва часа във формат 24 часа. Ако часовникът не е настроен, той няма да работи при включване.
- За да сверите часовника, повторете стъпки от 1 до 5.
- След стъпка 4, ако не потвърдите с бутона "Timer/Clock" или не извършите друга операция в рамките на 1 минута,
- настройката се отменя.

Настройка на таймера

1. Натиснете еднократно бутона "Timer/Clock" – на дисплея се показва индикация "0:00".
2. Завъртете въртящия бутон, за да зададете желаното време. Максималната стойност за време е "95:00".
3. Натиснете "Start/+30Sec." за потвърждение. Таймерът започва да отброява времето в обратен ред.

ЗАБЕЛЕЖКА

Докато таймерът отброява времето, не може да бъде зададена друга програма.

Микровълново готвене

Ниво на мощност

Уредът има 5 нива на мощност.

Ниво на мощност	Индикация на дисплея
100%	P100
80%	P80
50%	P50
30%	P30
10%	P10

1. Натиснете еднократно бутона "Microwave" – на дисплея се показва индикация "P100".
2. Натиснете неколккратно бутона "Microwave" или завъртете въртящия бутон, за да зададете нивото на мощност. Показват се последователно 5-те нива на мощност.
3. Натиснете "Start/+30Sec." за потвърждение.
4. Завъртете въртящия бутон, за да изберете време за готвене. Максималната стойност за време е "95:00".
5. Натиснете бутона "Start/+30Sec.", за да стартирате процеса на готвене.

ЗАБЕЛЕЖКА

Ако по време на готвене отворите вратата или натиснете бутона " Stop/Cancel ", текущият режим се прекъсва.

Готвене на грил

1. Натиснете еднократно бутона " Grill/Combi. " – на дисплея се показва индикация "G-1".
2. Натиснете " Start/+30Sec. " за потвърждение.
3. Завъртете въртящия бутон, за да зададете времето за готвене. Максималната стойност за време е "95:00".
4. Натиснете бутона " Start/+30Sec. ", за да стартирате процеса на готвене.

ЗАБЕЛЕЖКА

Когато измине половината от зададеното време, се включва звуков сигнал, който напомня да обърнете хранителния продукт. Ако не извършите тази операция, фурната ще продължи да работи.

Комбинирано готвене

1. Натиснете двукратно или трикратно бутона " Grill/Combi. " – на дисплея се показва индикация "C-1", "C-2".
2. Натиснете " Start/+30Sec. " за потвърждение.
3. Завъртете въртящия бутон, за да зададете времето за готвене. Максималната стойност за време е "95:00".
4. Натиснете бутона " Start/+30Sec. ", за да стартирате процеса на готвене.

Функция	Индикация на дисплея	Микровълнова мощност	Мощност на грила
Комбинирано готвене 1	C-1	55%	45%
Комбинирано готвене 2	C-2	36%	64%

BG

Размразяване по тегло

1. Натиснете еднократно бутона " Weight/Time Defrost " – на дисплея се показва индикация "dEF1".
2. Завъртете въртящия бутон, за да зададете теглото на хранителния продукт. Диапазонът на теглото е 100-2000 g.
3. Натиснете бутона " Start/+30Sec. ", за да стартирате процеса на размразяване.

ЗАБЕЛЕЖКА

По време на размразяването ще се включи звуков сигнал, който напомня да обърнете хранителния продукт. Ако не извършите тази операция, фурната ще продължи да работи.

Размразяване по време

1. Натиснете двукратно бутона " Weight/Time Defrost " – на дисплея се показва индикация "dEF2".
2. Завъртете въртящия бутон, за да зададете времето за размразяване. Максималната стойност за време е "95:00".
3. Натиснете бутона " Start/+30Sec.", за да стартирате процеса на размразяване.

ЗАБЕЛЕЖКА

- Когато измине половината от зададеното време, се включва звуков сигнал, който напомня да обърнете хранителния продукт. Ако не извършите тази операция, фурната ще продължи да работи.
- Мощността при размразяване е P30 и не може да бъде променена.

Готвене на няколко етапа

ЗАБЕЛЕЖКИ

- В режим за готвене на етапи могат да бъдат зададени два етапа.
- Ако зададете функция за размразяване, тя автоматично се превръща в първи етап на готвене.
- При готвене на няколко етапа не може да бъде зададен таймер и автоматично меню.

Пример: Размразяване на храната за 5 минути и след това готвене на 80% микровълнова мощност за 7 минути.

1. Натиснете двукратно бутона " Weight/Time Defrost " – на дисплея се показва индикация "dEF2".
2. Завъртете въртящия бутон, за да зададете желаното време за размразяване от 5 минути.
3. Натиснете бутона " Microwave " – на дисплея се показва индикация "P100".
4. Завъртете въртящия бутон, за да зададете ниво на мощност P80. След това натиснете бутона " Start/+30Sec. " за потвърждение.
5. Завъртете въртящия бутон, за да зададете желаното време за готвене от 7 минути.
6. Натиснете бутона " Start/+30Sec. ", за да стартирате процеса на готвене.

BG

Бързо готвене

1. В режим на готовност натиснете бутона " Start/+30Sec. ", за да стартирате готвене при 100% ниво на мощност за 30 секунди. С всяко следващо натискане на този бутон времето се увеличава с 30 секунди до достигане на максималната стойност за време от 95 минути.
2. В режим на готовност завъртете въртящия бутон наляво, за да зададете време за готвене при 100% мощност. Регулирайте времето за готвене, като продължите да въртите бутона. Максималната стойност за време е 95 минути. Натиснете бутона " Start/+30Sec. ", за да стартирате процеса на готвене.

Функция за заключване от деца

Можете да използвате тази функция, за да предотвратите случайно включване на фурната от деца.

За да активирате заключването:

В режим на готовност натиснете и задръжте за три секунди бутона " Stop/Cancel ". Чува се звуков сигнал и на екрана се показва индикацията " [_ _ _]".

За да деактивирате заключването:

В заключено състояние натиснете и задръжте за три секунди бутона " Stop/Cancel!". Чува се звуков сигнал.

Функция за проверка

1. Ако часовникът е настроен, когато натиснете бутона " Timer/Clock " в режим на готвене, на дисплея за три секунди се показва текущият час.
2. В режим на микровълново готвене, натиснете бутона " Microwave", за да видите нивото на мощност.
То се показва на дисплея за три секунди. В режим на готвене на грил и комбинирано готвене, можете да направите проверка, като натиснете " Grill/Combi. ".

Автоматично меню

1. Завъртете въртящия бутон надясно – на дисплея започва да мига индикацията "А-1".
2. Когато продължите да въртите бутона, можете да изберете желаното меню. Предлагат се 8 автоматични менюта.
3. Натиснете " Start/+30Sec. " за потвърждение.
4. Завъртете въртящия бутон, за да зададете теглото на хранителния продукт.
5. Натиснете бутона " Start/+30Sec.", за да стартирате процеса на готвене.

ЗАБЕЛЕЖКИ

- Ако по време на готвене отворите вратата или натиснете бутона "Stop/Cancel!", текущият режим се прекъсва.
- За да изберете "Автоматично меню" в режим на готовност трябва да завъртите бутона първо надясно. Ако завъртите бутона първо наляво, ще зададете време за бързо готвене.

Таблица с менютата:

Меню	Тегло	Индикация на дисплея	Мощност
А-1 Автоматично претопляне	200 гр.	200	P100
	400 гр.	400	
	600 гр.	600	
А-2 Зеленчуци	200 гр.	200	P100
	300 гр.	300	
	450 гр.	450	
А-3 Рибa	150 гр.	150	C-2
	300 гр.	300	
	450 гр.	450	
А-4 Месо	200 гр.	200	C-2
	300 гр.	300	
	500 гр.	500	
А-5 Паста	50 гр. (с 450 гр. студена вода)	50	P80
	100 гр. (с 800 гр. студена вода)	100	
А-6 Картофи	1 (230 гр.)	1	P100
	2	2	
	3	3	
А-7 Пица	200 гр.	200	P100
	400 гр.	400	
А-8 Ориз	200 гр.	200	P100+P50
	400 гр.	400	

ПОЧИСТВАНЕ И ПОДДРЪЖКА

Винаги изключвайте уреда от захранването.

- След употреба почиствайте вътрешността на фурната с леко навлажнена кърпа.
- Почиствайте принадлежностите по обичайния начин с вода и препарат.
- Рамката на вратата, уплътненията и частите в близост до тях трябва да се почистват внимателно с влажна кърпа, когато се замърсят.
- Не използвайте силни почистващи препарати или остри метални стъргалки за почистване на стъклото на вратата на фурната, тъй като могат да надраскат повърхността, което да доведе до напукване или счупване на стъклото.
- Съвет за почистване: За по-лесно почистване на вътрешните стени, с които хранителните продукти могат да влязат в контакт: Поставете в купа половин лимон и 300 ml (1/2 пинта) вода. Загрейте на 100% микровълнова мощност за 10 минути. Избършете фурната с мека, суха кърпа.

ОТСТРАНЯВАНЕ НА НЕИЗПРАВНОСТИ


Нормална работа

Микровълновата фурна смущава телевизионния сигнал	Когато микровълновата фурна работи, са възможни смущения в радио и телевизионния сигнал. Те са подобни на смущенията от малки електрически уреди, като миксери, прахосмукачки, електрически вентилатори. Това е нормално.
Слаба светлина във фурната	При микровълново готвене на ниска мощност осветлението във фурната може да бъде слабо. Това е нормално.
По вратата се натрупва пара, от вентилационните отвори излиза горещ въздух	При готвене от храната може да излиза пара. По-голямата част от нея излиза от вентилационните отвори. Но малка част може да кондензира върху студените повърхности, като например вратата на фурната. Това е нормално.
Фурната е стартирана случайно без храна в нея.	Забранява се използването на уреда без храна. Това е много опасно.

Проблем	Вероятна причина	Решение на проблема
Фурната не може да се стартира.	<ul style="list-style-type: none"> Захранващият кабел не е включен добре в контакта. 	<ul style="list-style-type: none"> Изключете от контакта. Включете отново след 10 секунди.
	<ul style="list-style-type: none"> Изгорял предпазител или задействан прекъсвач. 	<ul style="list-style-type: none"> Сменете предпазителя или нулирайте прекъсвача (ремонт, който се извършва от квалифициран специалист от нашата компания)
	<ul style="list-style-type: none"> Проблем с контакта. 	<ul style="list-style-type: none"> Изпробвайте контакта с други електрически уреди.
Фурната не се загрива.	<ul style="list-style-type: none"> Вратата не е затворена добре. 	<ul style="list-style-type: none"> Затворете плътно вратата.

BG

ТЪРГОВСКИ МАРКИ, АВТОРСКИ ПРАВА И ПРАВНА ИНФОРМАЦИЯ

Логото  Midea, словните марки, търговското наименование, търговското оформление и всички техни версии са активи, собственост на Midea Group и/или техните свързани дружества ("Midea"), в които Midea притежава търговски марки, авторски права или други права върху интелектуалната собственост, както и нематериални активи, произтичащи от използването на търговската марка Midea. Използването на търговската марка Midea за търговски цели без предварителното писмено съгласие на Midea може да представлява нарушение на търговската марка или нелоялна конкуренция в нарушение на съответните закони.

Това ръководство е изготвено от Midea и Midea запазва всички авторски права върху него. Никое физическо или юридическо лице не може да използва, копира, променя и разпространява това ръководство или части от него, не може също да го комплектува или продава заедно с други продукти без предварителното писмено съгласие на Midea.

Всички описани функции и инструкции са актуални към момента на отпечатване на ръководството. Въпреки това реалният продукт може да се различава поради подобряване на функциите или дизайна.

ИЗХВЪРЛЯНЕ И РЕЦИКЛИРАНЕ

Важни инструкции във връзка с околната среда

Съответствие с директивата за ИУЕЕО и обезвреждане на отпадъците от продукта:
Този продукт отговаря на изискванията на европейската Директива за ИУЕЕО (2012/19/ЕС).
Този продукт е обозначен със символ за класификация за излязло от употреба електрическо и електронно оборудване (ИУЕЕО).

Този символ означава, че продуктът не може да бъде изхвърлян заедно с други битови отпадъци в края на експлоатационния му живот. Употребяваният уред трябва да бъде предаден в определен за целта пункт за събиране и рециклиране на излязло от употреба електрическо и електронно оборудване. Информация за подобни пунктове за отпадъци можете да получите от местните власти или от търговеца, от който е закупен продуктът. Всяко домакинство играе важна роля в рециклирането на ненужните уреди. Правилното изхвърляне на употребяваните уреди спомага за предотвратяване на евентуални отрицателни въздействия върху околната среда и човешкото здраве.



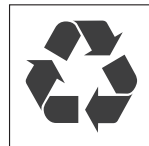
Съответствие с Директивата за RoHS

Този продукт отговаря на изискванията на европейската Директива за ограничение на опасните вещества (RoHS) (2011/65/ЕС). Той не съдържа опасни и забранени материали, посочени в Директивата.

BG

Информация за опаковката

Опаковката на продукта е произведена от рециклирани материали съгласно нашите национални разпоредби за околната среда. Не изхвърляйте опаковъчните материали заедно с битовите или други отпадъци. Предайте ги в пункт за събиране на опаковъчни материали, определен от местните органи.



ДЕКЛАРАЦИЯ ЗА ЗАЩИТА НА ЛИЧНИТЕ ДАННИ

С цел осигуряване на услугите, договорени с клиента, приемаме да спазваме без ограничение всички разпоредби на приложимото законодателство за защита на данните в държавите, в които предоставяме услугите на клиента, както и, където е приложимо, Общия регламент на ЕС за защита на данните (ОРЗД).

По принцип обработваме данните, за да изпълним своето задължение по договора с Вас и за целите на безопасността на продукта, както и за да защитим правата Ви във връзка с гаранцията и регистрацията на продукта. В някои случаи, но само при осигуряване на адекватна защита на данните, личните данни могат да бъдат прехвърлени на получатели, които се намират извън Европейското икономическо пространство.

Допълнителна информация може да бъде предоставена по заявка. Можете да се свържете с нашия служител по защита на данните на адрес **MideaDPO@midea.com**. За да упражните своите права, като например правото да възразите срещу обработката на личните Ви данни за целите на директния маркетинг, можете да се свържете с нас на адрес **MideaDPO@midea.com**. За повече информация сканирайте QR кода.



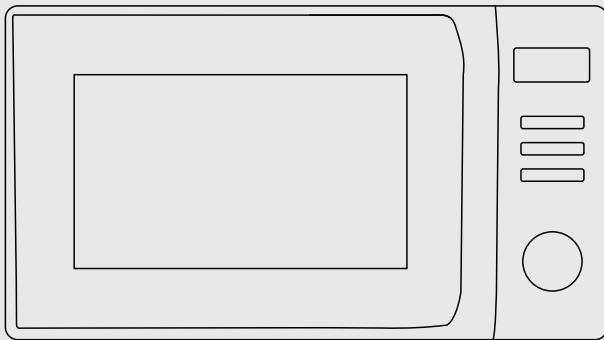
make yourself at home

BG



www.midea.com

© Midea 2024 all rights reserved



HR

MIKROVALNA PEĆNICA

KORISNIČKI PRIRUČNIK

**AG20CF2E
AG20CF2EBK**

Upozorenja: Prije upotrebe ovog proizvoda, pažljivo pročitajte ovaj priručnik i sačuvajte ga za buduću upotrebu. Dizajn i specifikacije mogu se promijeniti bez prethodne najave radi poboljšanja proizvoda. Za pojedinosti se obratite dobavljaču ili proizvođaču. Gornji dijagram služi samo kao referenca. Uzmite u obzir izgled stvarnog proizvoda.

PISMO ZAHVALE

Hvala što ste odabrali tvrtku Midea! Prije korištenja novog proizvoda tvrtke Midea temeljito pročitajte ovaj priručnik kako biste bili sigurni da znate na siguran način upravljati značajkama i funkcijama svog novog aparata.

SADRŽAJ

PISMO ZAHVALE	HR-01
SIGURNOSNE UPUTE	HR-02
SPECIFIKACIJE	HR-12
PREGLED PROIZVODA	HR-13
POSTAVLJANJE PROIZVODA	HR-15
UPUTE ZA RAD	HR-16
ČIŠĆENJE I ODRŽAVANJE	HR-22
RJEŠAVANJE PROBLEMA	HR-23
ROBNE MARKE, AUTORSKA PRAVA I PRAVNA IZJAVA ---	HR-24
ZBRINJAVANJE I RECIKLIRANJE	HR-25
OBAVIJEST O ZAŠTITI PODATAKA	HR-26

SIGURNOSNE UPUTE

Predviđena upotreba

Sigurnosne smjernice u nastavku namijenjene su sprečavanju nepredviđenih rizika ili štete zbog nesigurne ili nepravilne uporabe aparata. Provjerite ambalažu i aparat prilikom primanja kako biste bili sigurni da je sve nedirnuto i osigurali siguran rad. Ako otkrijete bilo kakvo oštećenje, obratite se prodavaču ili distributeru. Treba napomenuti da iz sigurnosnih razloga nisu dopuštene preinake ili izmjene na uređaju. Korištenje proizvoda nesukladno njegovoj namjeni može dovesti do gubitka prava na potraživanja po jamstvu.

Objašnjenje simbola



Opasnost

Ovaj simbol označava da postoji opasnost za život i zdravlje osoba zbog izuzetno zapaljivog plina.



Upozorenje na električni napon

Ovaj simbol označava da postoji opasnost za život i zdravlje osoba zbog napona.



Upozorenje

Signalna riječ označava opasnost sa srednjom razinom rizika koja, ako je ne izbjegnute, može rezultirati smrću ili ozbiljnom ozljedom.



Oprez

Signalna riječ označava opasnost s niskim stupnjem rizika, koja, ako je ne izbjegnute, može rezultirati manjom ili umjerenom ozljedom.



Pažnja

Signalna riječ označava važnu informaciju (npr. oštećenje imovine), ali ne opasnost.



Pridržavajte se uputa

Simbol označava da bi aparatom trebao upravljati isključivo servisni tehničar u skladu s uputama za uporabu.

HR

Pažljivo pročitajte ove upute za uporabu prije korištenja/stavljanja u pogon uređaja i čuvajte ih u neposrednoj blizini mjesta ugradnje ili uređaja za kasniju uporabu!

Mjere opreza za izbjegavanje izlaganja prekomjernoj mikrovalnoj energiji

- a. Ne pokušavajte koristiti pećnicu s otvorenim vratima jer to može dovesti do štetnog izlaganja mikrovalnoj energiji. Važno je da ne slomite sigurnosne blokade ili ih neovlašteno mijenjate.
- b. Ne stavljajte bilo kakve predmete između prednje vanjske strane pećnice i vrata i ne dopustite da se prljavština ili ostaci sredstva za čišćenje nakupe na brtvenim površinama.
- c. **UPOZORENJE:** Ako su vrata ili brtve vrata oštećeni, pećnicu ne smijete koristiti dok je ne popravi ovlaštena osoba.

Dodatak

Ako se uređaj ne održava čistim, njegova bi se površina mogla oštetiti i to bi moglo utjecati na životni vijek uređaja te dovesti do opasne situacije.

▲ UPOZORENJE

Kako bi se smanjio rizik od požara, strujnog udara, tjelesnih osoba ili izlaganja prekomjernoj mikrovalnoj energiji tijekom korištenja uređaja, pridržavajte se osnovnih mjera opreza, što uključuje sljedeće:

- Pročitajte i slijedite određene: "MJERE OPREZA ZA IZBJEGAVANJE MOGUĆEG IZLAGANJA PRETJERANOJ MIKROVALNOJ ENERGIJI".
- Ovaj uređaj mogu koristiti djeca u dobi od 8 godina i više i osobe sa smanjenim fizičkim, senzornim ili mentalnim sposobnostima ili nedostatkom iskustva i znanja ako su dobili nadzor ili upute o korištenju uređaja na siguran način i svjesni su potencijalnih opasnosti. Djeca se ne mogu igrati s uređajem. Čišćenje i održavanje djeca ne smiju obavljati bez nadzora.
- Držite uređaj i njegov kabel izvan dohvata djece mlađe od 8 godina.
- Ako je kabel za napajanje oštećen, proizvođač, njegov servis ili slične kvalificirane osobe moraju ga zamijeniti kako bi se izbjegla opasnost.
- **UPOZORENJE:** Uređaj isključite prije zamjene lampe kako biste izbjegli mogućnost električnog udara.

- UPOZORENJE: Opasno je da bilo tko osim ovlaštene osobe obavlja servis ili popravak koji uključuje uklanjanje poklopca koji štiti od izlaganja mikrovalnoj energiji.
- UPOZORENJE: Tekućine i drugu hranu ne smijete grijati u zatvorenim spremnicima jer bi mogli eksplodirati.
- Kod zagrijavanja hrane u plastičnim i papirnatim posudama pazite na pećnicu zbog mogućeg zapaljenja.
- Koristite samo posuđe koji je prikladan za korištenje u mikrovalnim pećnicama.
- Ako se pojavi dim, isključite ili iskopčajte aparat iz struje i ostavite vrata zatvorenima kako biste ugušili plamen.
- Zagrijavanje pića u mikrovalnoj pećnici može dovesti do odgođenog eruptivnog vrenja, stoga treba biti oprezan pri rukovanju spremnikom.
- Sadržaj bočica za djecu i staklenki s dječjom hranom treba promiješati ili protresti, a prije upotrebe morate provjeriti temperaturu kako biste izbjegli opekline.
- Jaja u ljusci i cijela tvrdokuhana jaja ne smiju se zagrijavati u mikrovalnoj pećnici jer bi mogla eksplodirati, čak i nakon završetka zagrijavanja u mikrovalnoj pećnici.
- Pećnicu treba redovito čistiti i ukloniti sve ostatke hrane.

- Neodržavanje pećnice u čistom stanju moglo bi dovesti do propadanja površine, a to bi moglo negativno utjecati na vijek trajanja uređaja i moguće dovesti do opasne situacije.
- Uređaj ne smijete postaviti iza dekorativnih vrata kako biste izbjegli pregrijavanje. (Ovo se ne odnosi na uređaje s dekorativnim vratima.)
- Upotrebljavajte samo temperaturnu sondu koja se preporučuje za ovu pećnicu. (za pećnice koje podržavaju korištenje sonde za mjerenje temperature.)
- Mikrovalnu pećnicu ne smijete postavljati u ormarić osim ako nije testirana u ormariću.
- Mikrovalnu pećnicu morate koristiti s otvorenim dekorativnim vratima. (za pećnice s dekorativnim vratima.)
- Ovaj uređaj je namijenjen za korištenje u domaćinstvu i slične primjene kao što su:
 - prostori kuhinja za osoblje u trgovinama, uredima i drugim radnim okruženjima;
 - za klijente u hotelima, motelima i drugim objektima rezidencijalnog tipa;
 - seoske kuće;
 - za ugostiteljske objekte koji nude noćenje i doručak.
- Mikrovalna pećnica namijenjena je zagrijavanju hrane i pića. Sušenje hrane ili odjeće te zagrijavanje jastučića za grijanje, papuča, spužvi, vlažnih krpa i slično može dovesti do opasnosti od ozljeda, zapaljenja ili požara.
- Metalni spremnici za hranu nisu dozvoljeni tijekom kuhanja u mikrovalnoj pećnici.
- Uređaj ne smijete čistiti parnim čitačem.

- Uređaj je dizajniran kao samostojeći.
- Stražnju površinu uređaja postavite uza zid.
- Uređaj nije namijenjen za upravljanje pomoću vanjskog mjerača vremena ili zasebnog sustava daljinskog upravljanja.
- Temperatura dostupnih površina može biti visoka dok uređaj radi.
- UPOZORENJE: Kada uređaj radi u kombiniranom načinu rada, djeca bi trebala koristiti pećnicu samo pod nadzorom odrasle osobe zbog stvorenih temperatura.

**PAŽLJIVO PROČITAJTE I SAČUVAJTE ZA BUDUĆE
KORIŠTENJE**

Uzemljite instalacije kako biste smanjili rizik od ozljeda osoba

⚠ OPASNOST

Opasnost od strujnog udara

Dodirivanje nekih unutarnjih komponenti može dovesti do ozbiljne ozljede ili smrti. Nemojte rastavljati uređaj.

⚠ UPOZORENJE

Opasnost od strujnog udara

Nepravilno uzemljavanje može dovesti do strujnog udara. Nemojte ukopčavati u utičnicu dok aparat nije pravilno postavljen i uzemljen.

Uređaj mora biti uzemljen. U slučaju da dođe do električnog kratkog spoja, uzemljenje smanjuje rizik od strujnog udara pružajući izlaznu žicu kojom električna struja može izaći.

Uređaj je opremljen kabelom sa žicom za uzemljenje i utikačem za uzemljenje. Utikač mora biti ukopčan u utičnicu koja je pravilno postavljena i uzemljena.

Obratite se kvalificiranom električaru ili serviseru ako u potpunosti ne razumijete upute za uzemljavanje ili ako postoji sumnja je li uređaj pravilno uzemljen.

HR Ako je potrebno upotrebljavati produžni kabel, koristite samo 3-žilni produžni kabel.

- Isporučuje se kratki strujni kabel kako bi se smanjio rizik od zapetljanja ili spoticanja o duži kabel.
- Ako se koristi dugi strujni kabel ili produžni kabel:
 - Navedena električna ocjena kompleta kabela ili produžnog kabela trebala bi biti barem jednako velika kao i nazivna struja uređaja.
 - Produžni kabel mora biti 3-žilni uzemljeni kabel.
 - Dugi kabel treba složiti tako da ne prelazi preko radne površine ili stola gdje ga djeca mogu povući ili se slučajno spotaknuti.

Posuđe

⚠ **OPREZ**

Opasnost od tjelesne ozljede

Opasno je da bilo tko osim ovlaštene osobe obavlja servis ili popravak koji uključuje uklanjanje poklopca koji štiti od izlaganja mikrovalnoj energiji. Pogledajte upute o "Materijalima koje možete upotrebljavati u mikrovalnoj pećnici ili koje treba izbjegavati u mikrovalnoj pećnici". Možda postoji određeni nemetalni posuđe koji nije sigurno koristiti u mikrovalnoj pećnici. Ako niste sigurni, možete testirati posuđe slijedeći postupak u nastavku.

Testiranje kuhinjskog pribora:

- Napunite posudu koju je sigurno upotrebljavati u mikrovalnoj pećnici 1 šalicom hladne vode (250 ml) zajedno s tim posuđem.
- Kuhajte na maksimalnoj snazi u trajanju od 1 minute.
- Pažljivo opipajte pribor. Ako je pribor topao, nemojte ga koristiti u mikrovalnoj pećnici.
- Nemojte kuhati dulje od 1 minute.

Materijali koje smijete upotrebljavati u mikrovalnoj pećnici

Posuđe	Primjedbe
Posuđe od pirokeramičkog materijala	Slijedite upute proizvođača. Dno pirokeramičke posude mora biti barem 5 mm iznad okretne platforme. Nepravilna upotreba može dovesti to pucanja okretne platforme.
Stolno posuđe	Samo posuđe koje se smije koristiti u mikrovalnoj pećnici. Slijedite upute proizvođača. Nemojte upotrebljavati napuknuto ili okrhuto posuđe.
Staklenke	Uvijek uklonite poklopac. Upotrebljavajte samo za zagrijavanje hrane. Većina staklenki nije otporna na toplinu i može napuknuti.
Stakleno posuđe	Samo stakleno posuđe otporno na toplinu. Na posudu ne smije biti metalnih dijelova. Nemojte upotrebljavati napuknuto ili okrhuto posuđe.
Vrećice za kuhanje u pećnici	Slijedite upute proizvođača. Nemojte zatvarati metalnim vezicama. Napravite proreze kako bi para mogla izaći.
Papirnati tanjuri i čaše	Upotrebljavajte samo za kratkotrajno kuhanje/zagrijavanje. Ne ostavljajte mikrovalnu pećnicu bez nadzora tijekom kuhanja.
Papirnati ručnici	Koriste se za pokrivanje hrane za podgrijavanje te za upijanje masnoće. Upotrebljavajte uz nadzor samo za kratkotrajno kuhanje.
Pergamentni papir	Upotrebljavajte kao pokrivalo za sprječavanje prskanja ili kao omotač za kuhanje na pari.
Plastika	Samo posuđe koje se smije koristiti u mikrovalnoj pećnici. Slijedite upute proizvođača. Trebalo bi biti označeno "Sigurno za mikrovalnu pećnicu". Neke plastične posude omekšaju kad se hrana u njima zagrije. "Vrećice za kuhanje" i čvrsto zatvorene plastične vrećice treba razrezati, probušiti ili na drugi način odzračiti prema uputama na pakiranju.
Plastična folija	Samo posuđe koje se smije koristiti u mikrovalnoj pećnici. Upotrebljavajte za pokrivanje hrane tijekom kuhanja kako biste zadržali vlagu. Ne dopustite da plastična folija dodirne hranu.
Termometri	Samo prikladni za mikrovalnu pećnicu (termometri za meso i slatkiše).
Voštani papir	Upotrebljavajte kao pokrivalo za sprečavanje prskanja i zadržavanje vlage.

Materijali koje treba izbjegavati u mikrovalnoj pećnici

Posuđe	Primjedbe
Pladanj od aluminija	Može uzrokovati iskrenje. Hranu prebacite u posudu za mikrovalnu pećnicu.
Kartonska kutija za hranu s metalnom ručkom	Može uzrokovati iskrenje. Hranu prebacite u posudu za mikrovalnu pećnicu.
Metalno posuđe ili posuđe s metalnom oblogom	Metal štiti hranu od mikrovalne energije. Metalne obloge mogu uzrokovati iskrenje.
Metalni žični zatvarači	Mogu uzrokovati iskrenje i požar u pećnici.
Papirnate vrećice	Mogu uzrokovati požar u pećnici.
Plastična pjena	Plastična pjena može se otopiti ili kontaminirati tekućinu u spremniku kada je izložena visokoj temperaturi.
Drvo	Drvo će se isušiti kada se koristi u mikrovalnoj pećnici, a to može dovesti do rascijepijivanja ili pucanja.

SPECIFIKACIJE

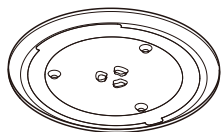
MODEL	AG20CF2E / AG20CF2EBK
NAZIVNI NAPON	230 V-
NAZIVNA FREKVENCIJA	50 Hz
NAZIVNA ULAZNA SNAGA	1050 W
NAZIVNA IZLAZNA SNAGA (MIKROVALNA)	700 W
NAZIVNA ULAZNA SNAGA (ROŠTILJ)	1000 W

PREGLED PROIZVODA

Nazivi dijelova pećnice i pribora

(U slučaju da postoje bilo kakve razlike između uređaja i slika u ovom priručniku, proizvod će imati prednost.)

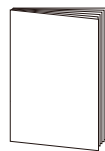
Pećnicu i sve materijale izvadite iz kutije. Također izvadite sve iz unutrašnjosti pećnice. Pećnica dolazi sa sljedećim dodacima:



Stakleni pladanj



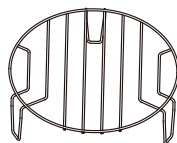
Sklop Prstena Okretne Platforme



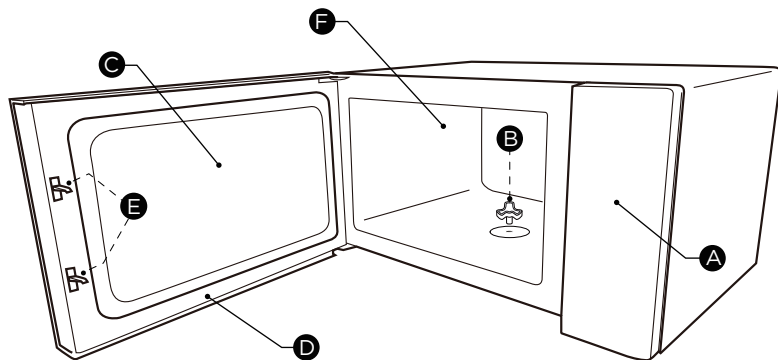
Korisnički priručnik



Osovina okretne platforme



Rešetka za roštilj (ne može se koristiti u mikrovalnoj pećnici i mora se staviti na stakleni pladanj)

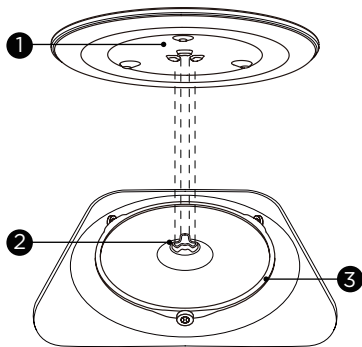


- A) Upravljačka ploča
- B) Osovina okretne platforme
- C) Okno za promatranje

- D) Sklop vrata
- E) Sigurnosni sustav za zaključavanje
- F) Unutrašnjost pećnice

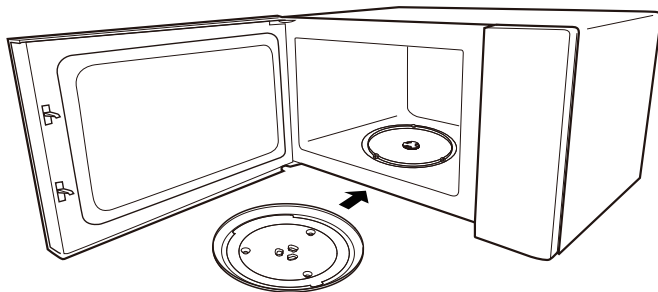
Postavljanje okretne platforme

Čišćenje odjeljka za kuhanje i postavljanje okretnog tanjura na mjesto. Za nove instalacije, provjerite jesu li sve ambalažne i transportne trake uklonjene s osovine okretnog tanjura. Prije prve uporabe uređaja za pripremu hrane, morat ćete pravilno postaviti okretni tanjur. Morate očistiti odjeljak za kuhanje i pribor.



Kako postaviti okretni tanjur na mjesto:

1. Postavite prsten okretnog tanjura ③ u udubljenje unutar odjeljka za kuhanje.
2. Postavite stakleni pladanj ① na prsten okretnog tanjura ③. Postavite uzdignute, zakrivljene linije u središte dna staklenog pladnja između tri žbice osovine. Stakleni pladanj ① mora sjesti na osovinu okretnog tanjura ② u središtu dna odjeljka za kuhanje. Valjci na osovini trebaju stati unutar donjeg grebena okretnog tanjura.



NAPOMENE

HR

- Nikada nemojte koristiti uređaj bez okretnog tanjura. Uvjerite se da je ispravno učvršćen. Okretni se tanjur se može okretati u smjeru kazaljke na satu ili u suprotnom smjeru.
- Nikada naopačke ne stavljajte stakleni pladanj. Staklenu pliticu nikada ne smije biti ograničavati u kretanju.
- Tijekom kuhanja uvijek se moraju koristiti i staklena plitica i sklop prstena okretne platforme.
- Sva hrana i spremnici hrane uvijek se stavljaju na staklenu pliticu za kuhanje.
- Nikada nemojte ograničavati kretanje okretnog tanjura.
- Ako staklena plitica ili sklop prstena za okretanje pukne ili se slome, obratite se najbližem ovlaštenom servisu.

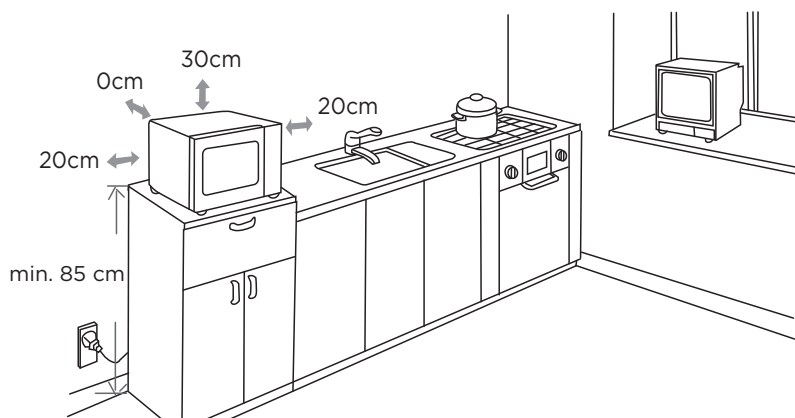
POSTAVLJANJE PROIZVODA

Postavljanje na radnu površinu

Uklonite sav ambalažni materijal i pribor. Pregledajte ima li pećnica bilo kakva oštećenja kao što su udubljenja ili slomljena vrata. Nemojte postavljati pećnicu ako je oštećena. Ormarić: Uklonite svu zaštitnu foliju s površine kućišta mikrovalne pećnice. Nemojte uklanjati svjetlosmeđi poklopac od tinjca koji je pričvršćen na unutrašnjost pećnice kako biste zaštitili magnetron.

Postavljanje

1. Odaberite ravnu površinu koja osigurava dovoljno otvorenog prostora za usisne i/ili izlazne otvore.



- Minimalna visina postavljanja je 85 cm.
 - Stražnju površinu uređaja postavite uz zid. Ostavite minimalni razmak od 30 cm iznad pećnice, a između pećnice i svih susjednih zidova morate ostaviti minimalni razmak od 20 cm.
 - Ne uklanjajte nožice s dna pećnice.
 - Blokiranje ulaznih i/ili izlaznih otvora može oštetiti pećnicu.
 - Pećnicu postavite što dalje od radija i TV prijmnika. Rad mikrovalne pećnice može uzrokovati smetnje pri radijskog ili TV prijama.
2. Priključite pećnicu na standardnu kućnu strujnu utičnicu. Provjerite jesu li napon i frekvencija isti kao napon i frekvencija na pločici s podacima.

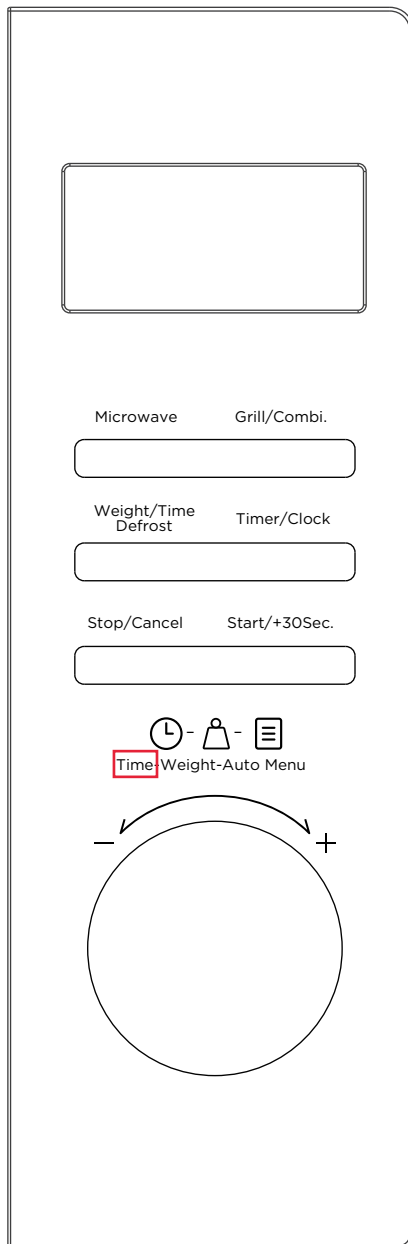
⚠ UPOZORENJE

Pećnicu nemojte postavljati iznad ploče za kuhanje ili drugog uređaja koji proizvodi toplinu. Ako se postavi u blizini ili iznad izvora topline, pećnica bi se mogla oštetiti i jamstvo više neće važiti.

Dostupna površina može se zagrijati tijekom rada.



UPUTE ZA RAD



HR

Postavljanje sata

1. Pritisnite "Timer/Clock " dvaput i na zaslonu će se prikazati "00:00".
2. Okrenite gumb za postavljanje sati. Vrijeme bi trebalo biti unutar raspona 0-23.
3. Pritisnite "Timer/Clock " za potvrdu.
4. Okrenite gumb za postavljanje minuta. Vrijeme bi trebalo biti unutar raspona 0-59.
5. Pritisnite "Timer/Clock " za potvrdu. Sat je postavljen.

NAPOMENA

- Sat je 24-satni prikaz. Ako sat nije postavljen, neće raditi nakon uključjenja.
- Za resetiranje sata, ponovite korake od 1 do 5.
- Nakon koraka 4, ako se ne pritisne "Timer/Clock " ili uređaj ne radi 1 minutu,
- postavka je nevažeća.

Postavljanje kuhinjskog brojača vremena

1. Pritisnite "Timer/Clock " dvaput i na zaslonu će se prikazati "0:00".
2. Okrenite gumb za podešavanje željenog vremena. Maksimalna vrijednost vremena je "95:00".
3. Pritisnite "Start/+30Sec." za potvrdu. Štoperica počinje s odbrojanjem.

NAPOMENA

Nijedan drugi program ne može se postaviti tijekom rada kuhinjskog brojača vremena.

Kuhanje u mikrovalnoj pećnici

Stupanj snage

Dostupno je 5 stupnjeva snage.

Stupanj snage	Zaslon
100%	P100
80%	P80
50%	P50
30%	P30
10%	P10

1. Pritisnite "Microwave " dvaput i na zaslonu će se prikazati "P100".
2. Pritišćite "Microwave " rviše puta ili okrenite gumb kako biste postavili stupanj snage. Dostupno je 5 stupnjeva snage.
3. Pritisnite "Start/+30Sec." za potvrdu.
4. Okrenite gumb za podešavanje vremena kuhanja. Maksimalna vrijednost vremena je "95:00".
5. Pritisnite "Start/+30Sec." kako biste započeli s kuhanjem.

NAPOMENA

Otvaranje vrata pećnice ili pritisak na " Stop/Cancel " tijekom rada prekida trenutni način rada.

Kuhanje na rešetci

1. Pritisnite " Grill/Combi. " jednom i na zaslonu će se prikazati "G-1".
2. Pritisnite " Start/+30Sec. " za potvrdu.
3. Okrenite gumb za podešavanje vremena kuhanja. Maksimalna vrijednost vremena je "95:00".
4. Pritisnite " Start/+30Sec. " kako biste započeli s kuhanjem.

NAPOMENA

Kada prođe polovica vremena, oglasit će se zvučni signal da vas podsjeti da preokrenete hranu. Ako to ne napravite, pećnica će nastaviti s radom.

Kombinirano kuhanje

1. Pritisnite " Grill/Combi. " dva ili tri puta i na zaslonu će se prikazati "C-1", "C-2".
2. Pritisnite " Start/+30Sec. " za potvrdu.
3. Okrenite gumb za podešavanje vremena kuhanja. Maksimalna vrijednost vremena je "95:00".
4. Pritisnite " Start/+30Sec. " kako biste započeli s kuhanjem.

Funkcija	Zaslon	Snaga mikrovalova	Snaga roštilja
Komb. 1	C-1	55%	45%
Komb. 2	C-2	36%	64%

Odmrzavanje po težini

1. Pritisnite " Weight/Time Defrost " jednom i na zaslonu će se prikazati "dEF1".
2. Okrenite gumb za podešavanje težine hrane. Raspon težine je 100-2000 g.
3. Pritisnite " Start/+30Sec. " kako biste započeli s odmrzavanjem.

NAPOMENA

Zvučni signal će vas podsjetiti da preokrenete hranu tijekom odmrzavanja. Ako to ne napravite, pećnica će nastaviti s radom.

Odmrzavanje po vremenu

1. Pritisnite " Weight/Time Defrost " dvaput i na zaslonu će se prikazati "dEF2".
2. Okrenite gumb za podešavanje željenog vremena odmrzavanja. Maksimalna vrijednost vremena je "95:00".
3. Pritisnite " Start/+30Sec. " kako biste započeli s odmrzavanjem.

NAPOMENA

- Kada prođe polovica vremena, oglasit će se zvučni signal da vas podsjeti da preokrenete hranu. Ako to ne napravite, pećnica će nastaviti s radom.
- Snaga odmrzavanja je P30 i ne može se promijeniti.

Višefazno kuhanje

NAPOMENE

- U višefaznom kuhanju mogu se postaviti dva stupnja kuhanja.
- Ako postavite funkciju odmrzavanja, ona će raditi automatski u prvoj fazi.
- Kuhinjski mjerač vremena, Automatski izbornik ne mogu se postaviti kao jedna od faza.

Primjer: Hranu odmrzavajte 5 minuta, a zatim je 7 minuta kuhajte s 80% snage mikrovalova.

1. Pritisnite " $\frac{\text{Weight/Time}}{\text{Defrost}}$ " dvaput i na zaslonu će se prikazati "dEF2".
2. Okrenite gumb za podešavanje željenog vremena odmrzavanja od 5 minuta.
3. Pritisnite "Microwave" i na zaslonu će se prikazati "P100".
4. Okrenite gumb za podešavanje razine snage P80. Potom pritisnite "Start/+30Sec." za potvrdu.
5. Okrenite gumb za podešavanje željenog vremena kuhanja od 7 minuta.
6. Pritisnite "Start/+30Sec." kako biste započeli s kuhanjem.

Brzo kuhanje

1. U stanju pripravnosti pritisnite "Start/+30Sec." za kuhanje hrane na 100% razini snage 30 sekundi. Svaki pritisak na istu tipku može produžiti 30 sekundi, a maksimalna vrijednost vremena je 95 minuta.
2. U stanju pripravnosti okrenite gumb ulijevo za postavljanje vremena kuhanja sa 100% snage. Zatim nastavite i okrenite gumb za podešavanje vremena kuhanja. Maksimalna vrijednost vremena je 95 minuta. Pritisnite "Start/+30Sec." kako biste započeli s kuhanjem.

HR

Funkcija zaključavanja za djecu

Ovu funkciju možete koristiti kako biste spriječili djecu da slučajno uključe pećnicu.

Za aktiviranje bravice:

U stanju pripravnosti pritisnite i držite "Stop/Cancel" tri sekunde. Začut će se zvučni signal i " [] " će se prikazati na zaslonu.

Za deaktiviranje bravice:

U zaključanom stanju pritisnite i držite "Stop/Cancel" tri sekunde. Oglasit će se zvučni signal.

Stop/Cancel

Funkcija upita

1. Ako je sat postavljen, pritiskom na tipku na tri sekunde prikazat će se trenutno vrijeme " Timer/Clock " u načinu kuhanja.
2. U načinu kuhanja u mikrovalnoj pećnici pritisnite " Microwave " kako biste vidjeli stupanj snage. Na zaslonu će se prikazivati tri sekunde. U stanju roštilja i u kombiniranom načinu kuhanja, upit se može provesti pritiskom na " Grill/Combi. ".

Automatski izbornik

1. Okrenite gumb udesno i tada će na zaslonu treperiti "A-1".
2. Nastavite okretati gumb za odabir izbornika koji vam je potreban. Dostupno je 8 automatskih izbornika.
3. Pritisnite " Start/+30Sec. " za potvrdu.
4. Okrenite gumb za podešavanje težine hrane.
5. Pritisnite " Start/+30Sec. " kako biste započeli s kuhanjem.

NAPOMENE

- Otvaranje vrata pećnice ili pritisak na " Stop/Cancel " tijekom rada prekida trenutni način rada.
- Potrebno je prvo okrenuti gumb udesno u stanju pripravnosti za odabir "Automatski izbornik". Okretanjem gumba prvo ulijevo unijet ćete vrijeme kuhanja za brzo kuhanje.

Tablica izbornika:

Izbornik	Težina	Zaslon	Napajanje
A-1 Automatsko podgrijavanje	200 g	200	P100
	400 g	400	
	600 g	600	
A-2 Povrće	200 g	200	P100
	300 g	300	
	450 g	450	
A-3 Riba	150 g	150	C-2
	300 g	300	
	450 g	450	
A-4 Meso	200 g	200	C-2
	300 g	300	
	500 g	500	
A-5 Tjestenina	50 g (s 450 g hladne vode)	50	P80
	100 g (s 800 g hladne vode)	100	
A-6 Krumpir	1(230 g)	1	P100
	2	2	
	3	3	
A-7 Pizza	200 g	200	P100
	400 g	400	
A-8 Riža	200 g	200	P100+P50
	400 g	400	

ČIŠĆENJE I ODRŽAVANJE

Svakako odspojite uređaj iz strujne mreže.


- Unutrašnje stijene pećnice nakon korištenja obrišite vlažnom krpom.
- Na uobičajen način sapunicom očistite pribor.
- Ako su prljavi, okvir vrata, brtvu i susjedne dijelove morate pažljivo očistiti vlažnom krpom.
- Nemojte koristiti gruba abrazivna sredstva za čišćenje ili oštre metalne strugače za čišćenje stakla na vratima pećnice jer mogu ogrebat površinu, što može dovesti do pucanja stakla.
- Savjet za čišćenje - radi lakšeg čišćenja stijenki šupljine koje može dodirnuti kuhana hrana: Stavite pola limuna u posudu, dodajte 300 ml vode i 10 minuta zagrijavajte na 100 % snage mikrovalne pećnice. Pećnicu brišite čistom, suhom krpom.

RJEŠAVANJE PROBLEMA

Normalno	
Mikrovalna pećnica ometa TV prijam	Rad mikrovalne pećnice može ometati prijam radio i TV signala. To je slično smetnjama koje izazivaju mali električni uređaji poput miksera, usisivača i električnog ventilatora. To je normalno.
Tamno svjetlo pećnice	Pri kuhanju u mikrovalnoj pećnici na maloj snazi svjetlo u pećnici može postati tamno. To je normalno.
Na vratima se nakuplja para, a iz ventilacijskih otvora izlazi vrući zrak	Tijekom kuhanja iz hrane bi mogla izlaziti para. Veći dio pare izlaziti će iz ventilacijskih otvora. No dio se može nakupiti na hladnom mjestu poput vrata pećnice. To je normalno.
Pećnica je slučajno uključena bez hrane.	Zabranjeno je pokretati pećnicu bez hrane unutra. To je vrlo opasno.

Problem	Mogući uzrok	Rješenje
Pećnicu nije moguće pokrenuti.	<ul style="list-style-type: none">• Strujni kabel nije umetnut do kraja.	<ul style="list-style-type: none">• Iskopčajte ga. Zatim ga ponovno ukopčajte nakon 10 sekundi.
	<ul style="list-style-type: none">• Pregorio je osigurač ili je aktiviran prekidač strujnog kruga.	<ul style="list-style-type: none">• Zamijenite osigurač ili ponovno postavite prekidač strujnog kruga (popravlja osoba koju je ovlastila tvrtka)
	<ul style="list-style-type: none">• Problemi s utičnicom.	<ul style="list-style-type: none">• Testirajte utičnicu drugim električnim uređajima.
Pećnica se ne zagrijava.	<ul style="list-style-type: none">• Vrata nisu zatvorena do kraja.	<ul style="list-style-type: none">• Dobro zatvorite vrata.

ROBNE MARKE, AUTORSKA PRAVA I PRAVNA IZJAVA

 Midea logotip, oznake riječi, trgovački naziv, trgovački izgled i sve njihove verzije vrijedna su imovina Midea grupe i/ili njezinih podružnica ("Midea") za koje Midea posjeduje zaštitne znakove, autorska prava i druga prava intelektualnog vlasništva te sav dobar ugled koji proizlazi iz korištenja bilo kojeg dijela zaštitnog znaka tvrtke Midea. Korištenje zaštitnog znaka tvrtke Midea u komercijalne svrhe bez prethodnog pisanog pristanka tvrtke Midea može predstavljati povredu zaštitnog znaka ili nelojalnu konkurenciju kojom se krše važeći zakoni.

Ovaj priručnik izradila je Midea koja zadržava autorska prava na njega. Nijedan subjekt ne smije ovaj priručnik upotrebljavati, kopirati, mijenjati, distribuirati u cijelosti ili dijelom ili ga isporučivati ili prodavati s drugim proizvodima bez prethodnog pristanka tvrtke Midea.

Sve opisane funkcije i upute bile su aktualne u trenutku kada je tiskan ovaj priručnik. No, stvarni proizvod može se razlikovati zbog poboljšanih funkcija i dizajna.

ZBRINJAVANJE I RECIKLIRANJE

Važne upute za okoliš

Usklađenost s Direktivom o otpadnoj električnoj i elektroničkoj opremi (WEEE) i odlaganje otpadnog proizvoda:

Proizvod je usklađen s Direktivom o otpadnoj električnoj i elektroničkoj opremi (WEEE) (2012/19/EU). Proizvod ima klasifikacijski simbol za otpadnu električnu i elektroničku opremu (WEEE).

Ovaj simbol ukazuje da se ovaj proizvod ne smije odlagati s ostalim kućnim otpadom na kraju svog radnog vijeka. Rabljeni uređaj morate vratiti na službeno mjesto za prikupljanje radi recikliranja električnih i elektroničkih uređaja. Mjesta za prikupljanje pronađite tako da kontaktirate lokalne vlasti ili trgovca kog kojeg ste kupili proizvod. Svako kućanstvo ima važnu ulogu u zbrinjavanju i recikliranju starog aparata. Pravilno zbrinjavanje starih aparata pomaže u sprečavanju negativnih posljedica za okoliš i ljudsko zdravlje.

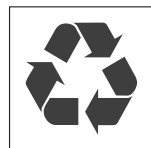


Usklađenost s Direktivom o ograničenju uporabe određenih opasnih tvari

Proizvod koji ste kupili usklađen je s Direktivom o ograničenju uporabe određenih opasnih tvari EU-a (RoHS) (2011/65/EU). Ne sadrži štetne ili zabranjene materijale navedene u Direktivi.

Informacije o ambalaži

Ambalažni materijal proizvodi se od materijala koji se mogu reciklirati u skladu s nacionalnim propisima o zaštiti okoliša. Nemojte odlagati ambalažni materijal zajedno s kućanskim ili drugim otpadom. Onesite ga na mjesto za prikupljanje ambalažnog materijala koje su odredile lokalne vlasti.



OBAVIJEST O ZAŠTITI PODATAKA

Radi pružanja usluga dogovorenih s klijentom, suglasni smo da ćemo se bez ograničenja pridržavati svih odredbi primjenjivog zakona o zaštiti podataka u skladu s dogovorom sa zemljama unutar kojih će se pružati usluge klijentu, kao i, gdje je to primjenjivo, Općom uredbom o zaštiti podataka EU-a (GDPR).

Općenito, naša obrada podataka služi za ispunjavanje naše ugovorne obveze prema vama i iz sigurnosnih razloga za proizvod, a sve kako bismo zaštitili vaša prava u vezi s jamstvom i registracijom proizvoda. U nekim slučajevima, no samo ako su osigurane prikladne mjere zaštite podataka, osobni podaci prenose se primateljima izvan Europskog gospodarskog područja.

O zahtjevu je navedeno više informacija. Našeg službenika za zaštitu podataka možete kontaktirati putem adrese **MideaDPO@midea.com**. Ukoliko imate prigovor na obradu osobnih podataka radi izravnog marketinga ili na drugi način želite ostvariti svoja prava obratite se na adresu **MideaDPO@midea.com**. Više informacija pronađite skeniranjem QR koda.



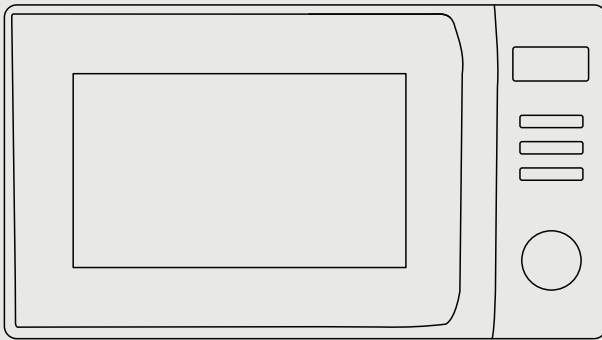
make yourself at home

HR



www.midea.com

© Midea 2024 all rights reserved



MIKROBANGŲ KROSNELĖ

NAUDOTOJO VADOVAS

AG20CF2E
AG20CF2EBK

Įspėjamieji pranešimai: Prieš naudodami šį gaminį, atidžiai perskaitykite šį vadovą ir pasilikite jį ateičiai. Tobulinant gaminį, dizainas ir specifikacijos gali būti keičiami be išankstinio įspėjimo. Dėl išsamesnės informacijos kreipkitės į savo pardavėją arba gamintoją. Aukščiau pateikta schema yra tik pavyzdinė. Prašome atsižvelgti į faktinio gaminio formą kaip į standartinę.

PADĖKOS LAIŠKAS

Dėkojame, kad pasirinkote „Midea“! Prieš naudodamiesi naujuoju „Midea“ gaminiu, atidžiai perskaitykite šį vadovą ir įsitikinkite, kad žinote, kaip saugiai naudotis naujojo prietaiso savybėmis ir funkcijomis.

TURINYS

PADĖKOS LAIŠKAS	-----	LT-01
SAUGOS INSTRUKCIJOS	-----	LT-02
SPECIFIKACIJA	-----	LT-12
GAMINIO APŽVALGA	-----	LT-13
GAMINIO MONTAVIMAS	-----	LT-15
NAUDOJIMO INSTRUKCIJOS	-----	LT-16
VALYMAS IR PRIEŽIŪRA	-----	LT-22
TRIKČIŲ ŠALINIMAS	-----	LT-23
PREKIŲ ŽENKLAI, AUTORIŲ TEISĖS IR TEISINIS PRANEŠIMAS	-----	LT-24
ŠALINIMAS IR PERDIRBIMAS	-----	LT-25
DUOMENŲ APSAUGOS PRANEŠIMAS	-----	LT-26

SAUGOS INSTRUKCIJOS

Paskirtis

Toliau pateikiamos saugos rekomendacijos skirtos išvengti nenumatytos rizikos ar žalos dėl nesaugaus ar neteisingo prietaiso naudojimo. Gavę prietaisą patikrinkite jį ir jo pakuotę, kad įsitikintumėte, jog niekas nepažeista ir užtikrintumėte saugų veikimą. Pastebėję kokių nors pažeidimų, kreipkitės į pardavėją arba platintoją. Atkreipkite dėmesį, kad jūsų saugumo sumetimais prietaiso keitimas ar modifikavimas yra draudžiamas. Naudojimas ne pagal paskirtį gali sukelti pavojų ir garantijos praradimą.

Simbolių paaiškinimas



Pavojus

Šis simbolis rodo, kad dėl itin degių dujų kyla pavojus žmonių gyvybei ir sveikatai.



Įspėjimas apie elektros įtampą

Šis simbolis rodo, kad įtampa kelia pavojų žmonių gyvybei ir sveikatai.



Įspėjimas

Signalinis žodis nurodo vidutinio lygio pavojų, kurio neišvengus, gali ištikti mirtis arba sunkus sužalojimas.



Atsargiai

Signalinis žodis nurodo mažo pavojaus laipsnio pavojų, kurio neišvengus galima patirti nedidelį ar vidutinį sužalojimą.



Dėmesio

Signalinis žodis nurodo svarbią informaciją (pvz., žalą turtui), bet ne pavojų.



Laikytis instrukcijų

Šis simbolis nurodo, kad techninės priežiūros specialistas šį prietaisą turi eksploatuoti ir prižiūrėti tik pagal naudojimo instrukciją.

LT

Prieš naudodamiesi prietaisu ir (arba) pradėdami jį eksploatuoti, atidžiai ir rūpestingai perskaitykite šią naudojimo instrukciją ir laikykite ją netoli įrengimo vietos arba įrenginio, kad galėtumėte ja naudotis vėliau!

Atsargumo priemonės, kad būtų išvengta galimo pernelyg didelės mikrobangų energijos poveikio

- a. Nebandykite naudoti šios krosnelės, kai atidarytos durelės, nes tai gali sukelti žalingą mikrobangų energijos poveikį. Svarbu nesugadinti ir nepakeisti apsauginių blokatorių.
- b. Nedėkite jokių objektų tarp krosnelės priekinės pusės ir durelių ir neleiskite nešvarumams ar valiklio likučiams kauptis ant sandarinimo paviršių.
- c. ĮSPĖJIMAS. Jei durelės ar durelių sandarikliai pažeisti, krosnelė neturėtų būti naudojama, iki ją pataisys kompetentingas asmuo.

Priedas

Jei aparatas nėra švarus, jo paviršius gali pablogėti ir paveikti aparato tarnavimo laiką bei sukelti pavojingą situaciją.

▲ ĮSPĖJIMAS

Kad naudodami prietaisą sumažintumėte gaisro, elektros smūgio, žalos žmonėms ir pernelyg didelio mikrobangų energijos poveikio riziką, paisykite pagrindinių atsargumo priemonių, įskaitant šias:

- Perskaitykite ir laikykitės šių instrukcijų: **ATSARGUMO PRIEMONĖS, KAD BŪTŲ IŠVENGTA GALIMO PERNELYG DIDELĖS MIKROBANGŲ ENERGIJOS POVEIKIO.**
- Vyresni nei 8 metų vaikai ir asmenys, kurių fiziniai, jutimo arba protiniai gebėjimai riboti, arba kuriems trūksta patirties ir žinių, šį prietaisą gali naudoti tik tuomet, jei jie prižiūrimi arba jiems buvo suteikti nurodymai, kaip saugiai naudoti prietaisą, ir jei jie supranta su prietaiso naudojimu susijusius pavojus. Neleiskite vaikams žaisti su prietaisu. Neprižiūrimiems vaikams draudžiama valyti ir prižiūrėti įrenginį.
- Laikykite prietaisą ir jo laidą vaikams iki 8 metų nepasiekiamoje vietoje.
- Jei tiekimo laidas pažeistas, jį turi pakeisti gamintojas, jo techninio aptarnavimo agentas arba panašią kvalifikaciją turintis asmenys, kad būtų išvengta pavojaus.
- **ĮSPĖJIMAS.** Prieš keisdami lemputę, įsitikinkite, kad prietaisas išjungtas, kad būtų išvengta elektros smūgio pavojaus.

- ĮSPĖJIMAS. Pavojinga kam nors kitam nei kompetentingam asmeniui atlikti bet kokią techninio aptarnavimo ar remonto operaciją, kuriai atlikti reikia nuimti skydą, kuris suteikia apsaugą nuo mikrobangų energijos poveikio.
- ĮSPĖJIMAS. Skysčių ir kitokio maisto negalima šildyti sandarioje taroje, nes jie gali sprogti.
- Šildydami maistą plastikinėje ar popierinėje taroje, prižiūrėkite krosnelę dėl galimo užsiliepsnojimo.
- Naudokite tik tuos indus, kurie tinka naudoti mikrobangų krosnelėse.
- Jei išmetami dūmai, išjunkite prietaisą arba atjunkite jį nuo maitinimo ir neatidarykite durelių, kad užgniaužtumėte bet kokią liepsną.
- Gėrimų šildymas mikrobangose gali sukelti uždelstus verdančio skysčio pliūptelėjimus, todėl būtina atsargiai naudoti tarą.
- Prieš duodami kūdikiui maitinimo buteliuką arba kūdikių maistą stikliniame inde, visada suplakite ar pakratykite jų turinį ir patikrinkite temperatūrą, kad būtų išvengta nudegimų.
- Kiaušiniai su lukštais ir švieži kietai išvirti kiaušiniai neturėtų būti šildomi mikrobangų krosnelėse, nes jie gali sprogti, net ir pasibaigus šildymui mikrobangomis.
- Krosnelė turi būti reguliariai valoma ir pašalinami visi maisto likučiai.

- Jei krosnelė nebus švari, gali būti sugadintas paviršius, o tai gali neigiamai paveikti prietaiso eksploataavimo laiką bei sukelti pavojų.
- Prietaiso negalima montuoti už dekoratyvinių durelių, kad nebūtų sukeltas perkaitimas. (Tai netaikoma prietaisams su dekoratyvinėmis durelėmis.)
- Naudokite tik šiai krosnei rekomenduojamą temperatūros jutiklį. (taikoma krosnelėms, kurios įrengtas temperatūrą matuojantis jutiklis.)
- Mikrobangų krosnelės negalima dėti į spintą, nebent ji buvo išbandyta spintoje.
- Mikrobangų krosnelę galima naudoti tik atidarius dekoratyvines dureles. (taikoma krosnelėms, kuriose yra dekoratyvinės durelės.)
- Šis aparatas skirtas naudoti buitiniams ir panašioms reikmėms, pvz.:
 - personalo virtuvėse, esančiose parduotuvėse, biuruose ir kitokioje darbo aplinkoje;
 - viešbučiuose, moteliuose ir kitose gyvenamosiose patalpose;
 - ūkiuose;
 - svečių namų tipo aplinkoje.
- Ši mikrobangų krosnelė skirta maistui ir gėrimams šildyti. Maisto ar drabužių džiovinimas ir šildymo kilimėlių, šlepečių, kempinių, drėgnų šluosčių ir panašių daiktų šildymas gali sukelti traumą, užsidegimą ir gaisrą.
- Metalinės maisto ir gėrimų taros negalima naudoti šildant mikrobangomis.
- Prietaiso negalima valyti naudojant valymo garais įrangą.

- Prietaisas turi būti naudojamas pastatytas atskirai.
- Galinis prietaisų paviršius dedamas prie sienos.
- Prietaisai nepritaikyti naudoti naudojant išorinį laikmatį arba atskirą nuotolinio valdymo sistemą.
- Prietaisui veikiant, prieinamų paviršių temperatūra gali būti aukšta.
- ĮSPĖJIMAS. Kai prietaisas veikia kombinuotu režimu, vaikai turėtų naudoti orkaitę tik prižiūrimi suaugusiųjų dėl susidariusios temperatūros.

**ATIDŽIAI PERSKAITYKITE IR LAIKYKITE
PASIEKIAMOJE VIETOJE, KAD BET KADA
GALĖTUMĖTE PERŽIŪRĖTI**

Siekiant sumažinti pavojų susižeisti asmenims įžeminimo įrengimas

⚠ PAVOJUS

Elektros smūgio pavojus

Liečiant kai kurias vidines sudedamąsias dalis kyla rimto sužalojimo ar mirties pavojus. Neardykite šio prietaiso.

⚠ ĮSPĖJIMAS

Elektros smūgio pavojus

Netinkamas įžeminimo naudojimas gali sukelti elektros smūgį. Nekiškite į lizdą, kol prietaisas nebus tinkamai sumontuotas ir įžemintas.

Šis prietaisas turi būti įžemintas. Įvykus trumpajam elektros jungimui, įžeminimas sumažina elektros smūgio pavojų, nes yra elektros srovės išėjimo laidas.

Prietaise yra įrengtas laidas, kuriame yra įžeminimo laidas su įžeminimo kištukas. Kištukas turi būti jungiamas į tinkamai įrengtą ir įžemintą elektros lizdą.

Jei įžeminimo instrukcijos jums nėra visiškai suprantamos arba jei abejojate, ar prietaisas yra tinkamai įžemintas, pasikonsultuokite su kvalifikuotu elektriku arba techninės priežiūros darbuotoju.

Jei būtina naudoti ilginamąjį kabelį, naudokite tik 3 laidų ilginamąjį kabelį.

- Pridedamas trumpas maitinimo laidas, kad būtų sumažinta rizika, kylanti dėl susisukusio ilgesnio laido arba užkliuvimo už jo.
- Jei naudojamas ilgas laidas arba ilginamasis kabelis:
 - Pažymėta nominalioji laido arba ilginamojo laido elektros vertė turi būti ne mažesnė nei prietaiso nominalioji elektros vertė.
 - Ilginamasis kabelis turi būti įžeminimo tipo 3 laidų kabelis.

- Ilgas kabelis turi būti įrengtas taip, kad jis nebūtų nukaręs nuo stalviršio arba stalo viršaus, kur jį gali patraukti vaikai arba už kurio galima netyčia užkliūti.

Indai

⚠ **ATSARGIAI**

Sužalojimo pavojus

Pavojinga kam nors kitam nei kompetentingam asmeniui atlikti bet kokią techninio aptarnavimo ar remonto operaciją, kuriai atlikti reikia nuimti skydą, kuris suteikia apsaugą nuo mikrobangų energijos poveikio. Žr. instrukcijas, pateiktas skyriuje „Medžiagos, kurias galite naudoti mikrobangų krosnelėje arba kurių reikia vengti mikrobangų krosnelėje.“ Gali būti tam tikrų nemetalinių indų, kuriuos nėra saugu naudoti mikrobangų krosnelėje. Jei kyla abejonų, galite patikrinti atitinkamą indą atlikdami toliau aprašytą procedūrą.

Indų testas:

- Įpilkite 1 puodelį šalto vandens (250 ml) į tarą, kurią saugu naudoti mikrobangų krosnelėje, kartu su atitinkamu indu.
- 1 minutę šildykite įjungę didžiausią galią.
- Atsargiai pačiupinėkite indą. Jei tuščias indas yra šiltas, nenaudokite jo mikrobangų krosnelėje.
- Neviršykite 1 minutės virimo laiko.

LT

Medžiagos, kurias galite naudoti mikrobangų krosnelėje

Indai	Pastabos
Patiekalų skrudinimas	Vadovaukitės gamintojo instrukcijomis. Skrudinamo patiekalo apačia turi būti bent 5 mm aukščiau sukamojo padėklo. Netinkamai naudojant gali sulūžti sukamasis padėklas.
Stalo indai	Galima naudoti tik mikrobangų krosnelėje. Vadovaukitės gamintojo instrukcijomis. Nenaudokite įskeltų arba nudaužtų indų.
Stiklainiai	Visada nuimkite dangtelį. Maistą šildykite tik, kol jis taps vos šiltas. Dauguma stiklainių nėra atsparūs karščiui, todėl gali sudužti.
Stikliniai indai	Tik karščiui atsparūs stikliniai indai, skirti naudoti orkaitėse. Įsitikinkite, kad nėra metalinio apvado. Nenaudokite įskeltų arba nudaužtų indų.
Kepimo orkaitėje maišeliai	Vadovaukitės gamintojo instrukcijomis. Neuždarykite naudodami metalinį surišimą. Padarykite prapjovų, kad išeitų garai.
Popierinės lėkštės ir puodeliai	Naudokite tik trumpai gaminti/pašildyti. Gaminant, nepalikite krosnelės be priežiūros.
Popieriniai rankšluosčiai	Naudokite iš naujo šildomam maistui uždengti ir riebalams sugerti. Naudokite tik kieno nors priežiūroje ir tik trumpam gaminimui.
Pergamentinis popierius	Naudokite maistui uždengti, kad išvengtumėte taškymosi arba kaip plėvelę virimui garuose.
Plastikas	Galima naudoti tik mikrobangų krosnelėje. Vadovaukitės gamintojo instrukcijomis. Turėtų būti pažymėta „tinka naudoti mikrobangų krosnelėje“. Įkaitus maistui viduje, kai kurios plastikinės taros suminkštėja. Virimo maišeliai ir sandariai uždaryti plastikiniai maišeliai turėtų būti prapjauti, pradurti arba juose padarytos angos, kaip nurodyta ant įpakavimo.
Plastikinė plėvelė	Galima naudoti tik mikrobangų krosnelėje. Naudokite maistui uždengti šildymo metu, kad būtų išlaikyta drėgmė. Neleiskite plastikinei plėvelei paliesti maisto.
Termometrai	Galima naudoti tik mikrobangų krosnelėje (mėsos ir saldainių termometrai).
Vaškinis popierius	Naudokite maistui uždengti, kad išvengtumėte taškymosi ir išlaikytumėte drėgmę.

Medžiagos, kurių reikia vengti mikrobangų krosnelėje

Indai	Pastabos
Aliuminio dėklas	Gali sukelti kibirkščiavimą. Perdėkite maistą į tarą, kurią saugu naudoti mikrobangų krosnelėje.
Kartoninė maisto dėžutė su metaline rankena	Gali sukelti kibirkščiavimą. Perdėkite maistą į tarą, kurią saugu naudoti mikrobangų krosnelėje.
Metaliniai arba metalu dengti indai	Metalas apsaugo maistą nuo mikrobangų energijos. Metalu papuošimas gali sukelti kibirkščiavimą.
Metaliniai susukami dirželiai	Gali sukelti kibirkščiavimą ir krosnelėje įžiebtį ugnį.
Popieriniai maišeliai	Gali įžiebtį ugnį orkaitėje.
Plastikinis putplastis	Putų plastikas gali ištirpinti arba užteršti skystį viduje.
Mediena	Mikrobangų krosnelėje naudojama mediena išdžiūsta ir gali suskilti arba įtrūkti.

SPECIFIKACIJA

MODELIS	AG20CF2E / AG20CF2EBK
NOMINALI ĮTAMPA	230 V-
VARDINIS DAŽNIS	50 Hz
VARDINĖ ĮVESTIS	1050 W
VARDINĖ GALIA (MIKROBANGŲ KROSNELĖ)	700 W
VARDINĖ ĮVESTIS (KEPSNINĖ)	1000 W

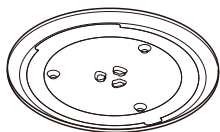
GAMINIO APŽVALGA

Orkaitės dalių ir priedų pavadinimai

(Jei yra kokių nors skirtumų tarp prietaiso ir šiame vadove pateiktų paveikslėlių, pirmenybė teikiama produktui.)

Išimkite krosnelę ir visas medžiagas iš dėžės ir krosnelės ertmės.

Jūsų krosnelėje yra šie priedai:



Stiklinis padėklas



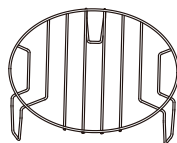
Sukamojo padėklo žiedo mazgas



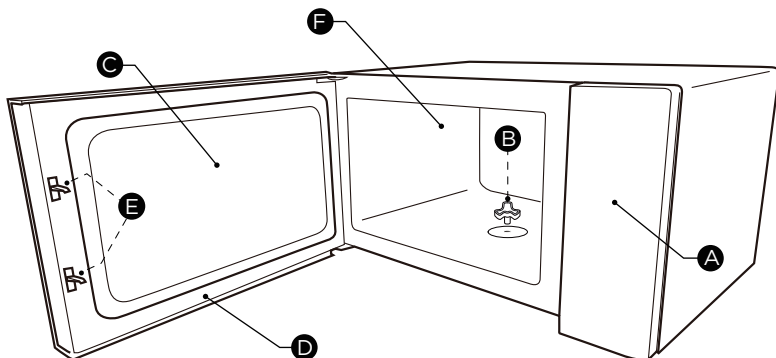
Instrukcijų vadovas



Sukamojo padėklo velenas



Grilio stovas (negali būti naudojamas mikrobangų krosnelėje ir turi būti padėtas ant stiklinio padėklo)



A) Valdymo skydelis

B) Sukamojo padėklo velenas

C) Stebėjimo langelis

D) Durelių mechanizmas

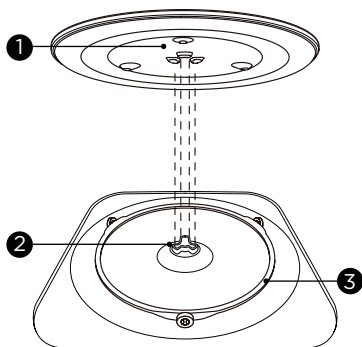
E) Saugos blokatoriaus sistema

F) Orkaitės ertmė

LT

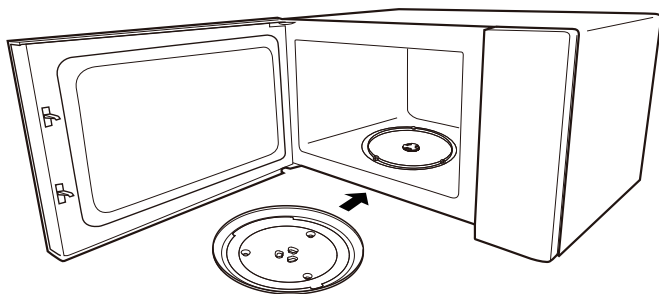
Sukamojo padėklo montavimas

Valykite maisto ruošimo skyrių ir įdėkite sukamąjį padėklą. Jei montuojate naujus įrenginius, įsitikinkite, kad nuo sukimo platformos veleno nuimta visa pakavimo ir transportavimo juosta. Prieš naudodami prietaisą maistui ruošti pirmą kartą, turėsite tinkamai įstatyti sukamąjį padėklą. Turite išvalyti kepimo skyrių ir priedus.



Kaip uždėti sukamąjį padėklą:

1. Įdėkite sukamojo padėklo žiedo mazgą ③ į įgaubą virimo skyriuje.
2. Padėkite stiklinį padėklą ① ant sukamojo padėklo žiedo mazgo ③. Uždėkite pakeltas, išlenktas linijas stiklo padėklo apačios centre tarp trijų veleno stipinų. Įsitikinkite, kad stiklinis padėklas ① užsikabina ant sukamojo stalo veleno ② kepimo skyriaus grindų viduryje. Veleno velenai turi tilpti į sukamojo padėklo apatinę briauną.



PASTABOS

- Niekada nenaudokite prietaiso be sukamojo padėklo. Įsitikinkite, kad jis tinkamai užfiksuotas. Sukamasis padėklas gali sukgtis pagal ar prieš laikrodžio rodyklę.
- Niekada nedėkite stiklinio padėklo aukštyn kojomis. Stiklinio padėklo judėjimas neturi būti suvaržytas.
- Gaminimo metu būtina naudoti tiek stiklinį padėklą, tiek sukamojo padėklo žiedo mechanizmą.
- Gaminant visas maistas ir maisto tara visada padedama ant stiklinio padėklo.
- Niekada neribokite sukamojo padėklo judėjimo.
- Jei stiklinis padėklas arba sukamojo padėklo žiedo mechanizmas įskyla arba sulūžta, kreipkitės į artimiausią įgaliotą techninio aptarnavimo centrą.

LT

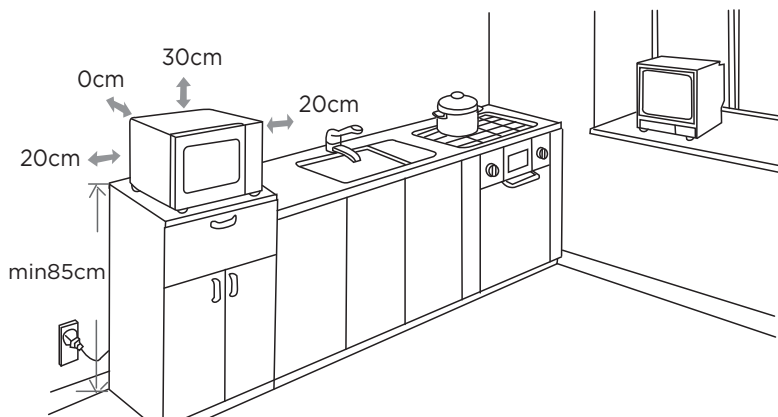
GAMINIO MONTAVIMAS

Montavimas ant stalviršio

Nuimkite visas pakavimo medžiagas ir priedus. Patikrinkite orkaitę, ar nėra jokių pažeidimų, pvz., įlenkimų ar sulaužytų durelių. Nemontuokite, jei orkaitė pažeista. Korpusas: Pašalinkite bet kokią apsauginę plėvelę, esančią ant mikrobangų krosnelės spintos paviršiaus. Nenuimkite prie krosnelės ertmės pritvirtinto bangolaidžio dangtelio, kad apsaugotumėte magnetroną.

Įdiegimas

1. Pasirinkite lygų paviršių, kuriame būtų pakankamai laisvos vietos įleidimo ir (arba) išleidimo angoms.



- Mažiausias montavimo aukštis yra 85 cm.
 - Galinis prietaiso paviršius dedamas prie sienos. Palikite mažiausiai 30 cm atstumą virš krosnelės, reikalingas mažiausiai 20 cm atstumas tarp krosnelės ir bet kokių gretimų sienų.
 - Nenuimkite kojų nuo krosnelės apačios.
 - Įleidimo ir (arba) išleidimo angų blokavimas gali sugadinti orkaitę.
 - Padėkite orkaitę kuo toliau nuo radijo imtuvų ir televizoriaus. Mikrobangų krosnelės naudojimas gali trikdyti radijo ar televizoriaus priėmimą.
2. Prijunkite orkaitę prie standartinio buitinio lizdo. Įsitinkinkite, kad įtampa ir dažnis yra tokie patys kaip įtampa ir dažnis, nurodyti vardinių verčių etiketėje.

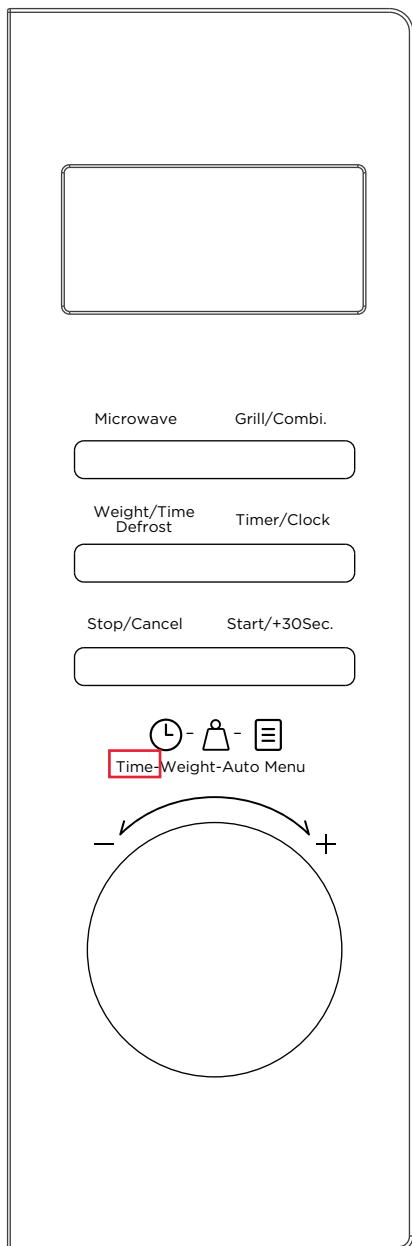
⚠ ĮSPĖJIMAS

Nemontuokite orkaitės virš viryklės ar kito šilumą gaminančio prietaiso. Jei krosnelė bus įrengta šalia šilumos šaltinio arba virš jo, ji gali būti sugadinta ir garantija nebegalios.

Krosnei veikiant, pasiekiamas paviršius gali būti karštas.



NAUDOJIMO INSTRUKCIJOS



LT

Laikrodžio nustatymas

1. Du kartus paspauskite „Timer/Clock“, tada bus rodoma „00:00“.
2. Pasukdami rankenėlę nustatykite valandų skaičių. Laikas turi būti 0–23 intervale.
3. Paspauskite „Timer/Clock“ norėdami patvirtinti.
4. Pasukdami rankenėlę nustatykite minučių skaičius. Laikas turi būti nuo 0 iki 59.
5. Paspauskite „Timer/Clock“ norėdami patvirtinti. Laikrodis nustatytas.

PASTABA

- Laikrodis rodo 24 valandas per parą. Jei laikrodis nenustatytas, jis neveiks, kai bus įjungtas.
- Norėdami atstatyti laikrodį, pakartokite 1–5 veiksmus.
- Po 4 veiksmo, jei nepaspaudžiamas „Timer/Clock“ arba neatliekamas joks veiksmas per 1 minutę,
- nustatymas negalioja.

Virtuvės laikmačio nustatymas

1. Vieną kartą paspauskite „Timer/Clock“ ir bus rodoma „0:00“.
2. Pasukdami ratuką nustatykite norimą laiką. Maksimali laiko vertė yra „95:00“.
3. Paspauskite „Start/+30Sec.“ norėdami patvirtinti. Laikmatis pradeda skaičiuoti laiką.

PASTABA

Virtuvės laikmačio metu negalima nustatyti jokios kitos programos.

Gaminimas mikrobangų krosnelėje

Galios lygis

Galimi 5 galios lygiai.

Galios lygis	Ekranas
100 %	P100
80 %	P80
50 %	P50
30 %	P30
10 %	P10

1. Vieną kartą paspauskite „Microwave“ ir pasirodys „P100“.
2. Norėdami nustatyti galios lygį, kelis kartus paspauskite „Microwave“ arba sukite rankenėlę. Galimi 5 galios lygiai.
3. Paspauskite „Start/+30Sec.“ norėdami patvirtinti.
4. Pasukdami rankenėlę sureguliuokite gaminimo laiką. Maksimali laiko vertė yra „95:00“.
5. Norėdami pradėti gaminti, paspauskite „Start/+30Sec.“.

PASTABA

Atidarius orkaitės dureles arba darbo metu paspaudus „Stop/Cancel“, bus nutrauktas dabartinis režimas.

Gaminimas ant grotelių

1. Vieną kartą paspauskite „Grill/Combi.“ ir pasirodys „G-1“.
2. Paspauskite „Start/+30Sec.“ norėdami patvirtinti.
3. Pasukdami rankenėlę nustatykite gaminimo laiką. Maksimali laiko vertė yra „95:00“.
4. Norėdami pradėti gaminti, paspauskite „Start/+30Sec.“.

PASTABA

Praejus pusei laiko, pasigirs garsinis signalas, primenantis, kad reikia apversti maistą. Jei neveiks, orkaitė ir toliau veiks.

Maisto gaminimo derinys

1. Du ar tris kartus paspauskite „Grill/Combi.“, tada bus rodoma „C-1“, „C-2“.
2. Paspauskite „Start/+30Sec.“ norėdami patvirtinti.
3. Pasukdami rankenėlę nustatykite gaminimo laiką. Maksimali laiko vertė yra „95:00“.
4. Norėdami pradėti gaminti, paspauskite „Start/+30Sec.“.

Funkcija	Ekranas	Mikrobangų galia	Kepsninės maitinimas
Kombin. 1	C-1	55 %	45 %
Kombin. 2	C-2	36 %	64 %

Atšildymas pagal svorį

LT

1. Vieną kartą paspauskite „ $\frac{\text{Weight/Time}}{\text{Defrost}}$ “, tada ekrane bus rodoma „dEF1“.
2. Pasukdami rankenėlę nustatykite maisto svorį. Svorio intervalas yra 100–2000 g.
3. Norėdami pradėti atitirpinimą, paspauskite „Start/+30Sec.“.

PASTABA

Garsinis signalas primins, kad atšildymo metu reikia apversti maistą. Jei neveiks, orkaitė ir toliau veiks.

Atšildymas pagal laiką

1. Du kartus paspauskite „ $\frac{\text{Weight/Time}}{\text{Defrost}}$ “, tada ekrane bus rodoma „dEF2“.
2. Pasukdami ratuką nustatykite norimą atitirpinimo laiką. Maksimali laiko vertė yra „95:00“.
3. Norėdami pradėti atitirpinimą, paspauskite „Start/+30Sec.“.

PASTABA

- Praėjus pusei laiko, pasigirs garsinis signalas, primenantis, kad reikia apversti maistą. Jei neveiks, orkaitė ir toliau veiks.
- Atitirpinimo galia yra P30 ir jos keisti negalima.

Gaminimas keliais etapais

PASTABOS

- Daugiapakopiame gaminime galima nustatyti du kepimo etapus.
- Jei nustatysite atitirpinimo funkciją, ji veiks automatiškai pirmajame etape.
- Virtuvės laikmatis, automatinis meniu negali būti nustatytas kaip vienas iš daugiapakopių.

Pavyzdys: Atšildykite maistą 5 minutes, tada kepkite 80% mikrobangų krosnelėje 7 minutes.

1. Du kartus paspauskite „^{Weight/Time}
Defrost“ , tada ekrane bus rodoma „dEF2“.
2. Pasukdami rankenėlę nustatykite norimą 5 minučių atitirpinimo laiką.
3. Paspauskite „ Microwave “, tada bus rodoma „P100“.
4. Pasukdami rankenėlę nustatykite P80 galios lygį. Tada paspauskite „ Start/+30Sec. “, kad patvirtintumėte.
5. Pasukdami rankenėlę nustatykite 7 minučių gaminimo laiką.
6. Norėdami pradėti gaminti, paspauskite „ Start/+30Sec. “.

Spartus gaminimas

1. Budėjimo režimu paspauskite „ Start/+30Sec. “, kad gamintumėte maistą su 100% galios lygiu 30 sekundžių. Kiekvienas to paties klavišo paspaudimas gali pailgėti 30 sekundžių, o maksimali laiko vertė yra 95 minutės.
2. Budėjimo režimu pasukite rankenėlę kairėn, kad nustatytumėte kepimo laiką su 100%galia. Tada sukite rankenėlę, kad sureguliuotumėte gaminimo laiką. Maksimalus laikas yra 95 minutės. Norėdami pradėti gaminti, paspauskite „ Start/+30Sec. “ .

LT

Užrakto funkcija vaikams

Šią funkciją galite naudoti, kad vaikai netyčia neįjungtų orkaitės.

Norėdami įjungti užraktą:

Kai įjungtas budėjimo režimas, paspauskite ir tris sekundes palaikykite „ Stop/Cancel “.

Pasigirsta pyptelėjimas ir parodoma „“.

Norėdami išjungti užraktą:

Esant užrakintai būsenai, paspauskite ir palaikykite „ Stop/Cancel “ tris sekundes.

Pasigirsta pyptelėjimas.

Pasiteiravimo funkcija

1. Jei buvo nustatytas laikrodis, dabartinis laikas bus rodomas tris sekundes paspaudus „Timer/Clock“ virimo būsenoje.
2. Mikrobangų krosnelėje paspauskite „Microwave“, kad sužinotumėte galios lygį. Jis bus rodomas tris sekundes. Esant kepsninės būsenai ir kombinuoto kepimo būsenai, įdomų būdą galima atlikti paspaudžiant „Grill/Combi“.

Automatinis meniu

1. Pasukite rankenėlę į dešinę, tada sumirksės „A-1“.
2. Toliau sukite rankenėlę, kad pasirinktumėte reikiamą meniu. Galimi 8 automatiniai meniu.
3. Paspauskite „Start/+30Sec.“ norėdami patvirtinti.
4. Pasukdami rankenėlę nustatykite maisto svorį.
5. Norėdami pradėti gaminti, paspauskite „Start/+30Sec.“.

PASTABOS

- Atidarius orkaitės dureles arba darbo metu paspaudus „Stop/Cancel“, bus nutrauktas dabartinis režimas.
- Būtina pirmiausia pasukti rankenėlę į dešinę budėjimo režime, kad pasirinktumėte „Automatinis meniu“. Pirmiausia pasukus rankenėlę į kairę, prasidės virimo greitis.

Meniu diagrama:

Meniu	Svoris	Ekranas	Maitinimas
A-1 Automatinis pašildymas	200 g	200	P100
	400 g	400	
	600 g	600	
A-2 Daržovės	200 g	200	P100
	300 g	300	
	450 g	450	
A-3 Žuvis	150 g	150	C-2
	300 g	300	
	450 g	450	
A-4 mėsa	200 g	200	C-2
	300 g	300	
	500 g	500	
A-5 makaronai	50 g (su 450 g šalto vandens)	50	P80
	100 g (su 800 g šalto vandens)	100	
A-6 bulvės	1 (230 g)	1	P100
	2	2	
	3	3	
A-7 pica	200 g	200	P100
	400 g	400	
A-8 Ryžiai	200 g	200	P100+P50
	400 g	400	

VALYMAS IR PRIEŽIŪRA

Būtinai atjunkite prietaisą nuo maitinimo šaltinio.


- Po naudojimo išvalykite krosnelės ertmę naudodami šiek tiek drėgną šluostę.
- Nuvalykite priedus įprastu būdu muiluotame vandenyje.
- Durelių rėmą ir tarpines bei gretimas sritis būtina kruopščiai išvalyti drėgna šluoste, kai jie nešvarūs.
- Nenaudokite šiurkščių abrazyvinių valiklių ar aštrių metalinių gremžtukų stiklinėms krosnelės durims valyti, nes jie gali subraižyti paviršių, o tai gali suskaldyti stiklą.
- Valymo patarimas. Kad būtų lengviau valyti ertmių sienas, kurias gali paliesti šildomas maistas: Įdėkite pusę citrinos į dubenį, įpilkite 300 ml vandens ir 10 minučių šildykite naudodami 100 % mikrobangų krosnelės galios. Švariai nuvalykite krosnelę naudodami švelnią, sausą šluostę.

TRIKČIŲ ŠALINIMAS

Normalus	
Mikrobangų krosnelė trukdo TV signalui	Veikiant mikrobangų krosnei, gali būti trukdoma radijo ir TV signalams. Tai panašu į mažų elektros prietaisų, tokių kaip maišytuvas, dulkių siurblys ir elektrinis ventiliatorius, trukdžius. Tai normalu.
Tamsios krosnelės lemputė	Gaminant mažos galios mikrobangų krosnelėje, orkaitės šviesa gali tapti blanki. Tai normalu.
Ant durų kaupiasi garai, iš ventiliacijos angų išeina karštas oras	Maisto gaminimo metu iš maisto gali išsiskirti garai. Dauguma išeis iš ventiliacijos angų. Tačiau kai kurie gali kauptis vėsioje vietoje, pavyzdžiui, orkaitės durelėse. Tai normalu.
Orkaitė netyčia įsijungė be maisto.	Draudžiama eksploatuoti įrenginį, jei viduje nėra maisto. Tai labai pavojinga.

Problema	Galima priežastis	Šalinimas
Krosnelės nepavyksta paleisti.	• Maitinimo laidas neįjungtas tvirtai.	• Atjunkite. Tada vėl prijunkite po 10 sekundžių.
	• Saugiklių pūtimas arba grandinės pertraukiklis veikia.	• Pakeiskite saugiklį arba iš naujo nustatykite srovės išjungiklį (remontuokite profesionalūs mūsų įmonės darbuotojai)
	• Problemos su išleidimo anga.	• Išbandykite lizdą su kitais elektros prietaisais.
Krosnelė nešildo.	• Durelės nėra tinkamai uždarytos.	• Gerai uždarykite duris.

PREKIŲ ŽENKLAI, AUTORIŲ TEISĖS IR TEISINIS PRANEŠIMAS

 Logotipas, žodiniai prekių ženklai, prekės pavadinimas, firminis stilius ir visos jų versijos yra vertingas „Midea Group“ ir (arba) jos filialų (toliau – „Midea“) turtas, į kurį „Midea“ priklauso prekių ženklai, autorių teisės ir kitos intelektualinės nuosavybės teisės, taip pat visa geroji reputacija, atsirandanti naudojant bet kurią „Midea“ prekių ženklo dalį. „Midea“ prekės ženklo naudojimas komerciniais tikslais be išankstinio raštiško „Midea“ sutikimo gali būti laikomas prekės ženklo pažeidimu arba nesąžininga konkurencija, pažeidžiančia atitinkamus įstatymus.

Šį vadovą sukūrė „Midea“, ir „Midea“ pasilieka visas jo autorines teises. Be išankstinio raštiško „Midea“ sutikimo joks subjektas ar asmuo negali naudoti, kopijuoti, modifikuoti, platinti viso ar dalies šio vadovo, jungti ar parduoti kartu su kitais produktais.

Visos aprašytos funkcijos ir instrukcijos buvo aktualios šio vadovo spausdinimo metu. Tačiau tikrasis gaminy s gali skirtis dėl patobulintų funkcijų ir dizaino.

ŠALINIMAS IR PERDIRBIMAS

Svarbūs aplinkosaugos nurodymai

Atitiktis EEJ atliekų direktyvai ir atliekų šalinimas:

Šis gaminys atitinka ES EEJ atliekų direktyvą (2012/19/ES). Šis gaminys pažymėtas elektros ir elektroninės įrangos atliekų (WEEE) klasifikavimo simboliu.

Šis simbolis nurodo, kad pasibaigus gaminio naudojimo laikui jo negalima išmesti kartu su kitomis buitinėmis atliekomis. Panaudotą prietaisą reikia grąžinti į oficialų elektros ir elektroninių prietaisų perdirbimo surinkimo punktą. Norėdami sužinoti apie šias surinkimo sistemas, kreipkitės į vietos valdžios institucijas arba mažmenininką, kuriame buvo įsigytas gaminys. Kiekvienam namų ūkiui tenka svarbus vaidmuo surenkant ir perdirbant seną prietaisą. Tinkamas panaudoto prietaiso šalinimas padeda išvengti galimų neigiamų pasekmių aplinkai ir žmonių sveikatai.

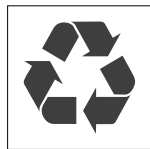


Atitiktis RoHS direktyvai

Jūsų įsigytas gaminys atitinka ES RoHS direktyvą (2011/65/ES). Jame nėra kenksmingų ir draudžiamų medžiagų, nurodytų Direktyvoje.

Pakuotės informacija

Gaminio pakuotės medžiagos gaminamos iš perdirbamų medžiagų pagal mūsų nacionalines aplinkosaugos taisykles. Neišmeskite pakavimo medžiagų kartu su buitinėmis ar kitomis atliekomis. Nuneškite jas į vietos valdžios institucijų nurodytas pakuočių medžiagų surinkimo vietas.



DUOMENŲ APSAUGOS PRANEŠIMAS

Dėl paslaugų, suderintų su klientu, teikimo, sutinkame be apribojimų laikytis visų taikomų duomenų apsaugos teisės aktų nuostatų, laikantis sutartų šalių, kuriose bus teikiamos paslaugos klientui, taip pat, jei taikoma, ES Bendrojo duomenų apsaugos reglamento (BDAR).

Duomenis paprastai tvarkome siekdami įvykdyti savo įsipareigojimus pagal sutartį su jumis, taip pat dėl produktų saugumo, kad apsaugotume jūsų teises, susijusias su garantijos ir produktų registracijos klausimais. Kai kuriais atvejais, bet tik jei užtikrinama tinkama duomenų apsauga, asmens duomenys gali būti perduodami gavėjams, esantiems už Europos ekonominės erdvės ribų.

Daugiau informacijos pateikiama paprašius. Galite susisiekti su mūsų duomenų apsaugos pareigūnu adresu **MideaDPO@midea.com**. Norėdami pasinaudoti savo teisėmis, pavyzdžiui, teise nesutikti, kad jūsų asmens duomenys būtų tvarkomi tiesioginės rinkodaros tikslais, susisiekite su mumis adresu **MideaDPO@midea.com**. Daugiau informacijos rasite naudodamiesi QR kodu.

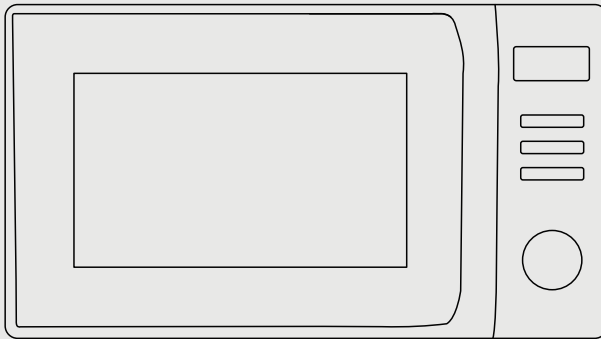


make yourself at home



www.midea.com

© Midea 2024 all rights reserved



MIKROVALOVNA PEČICA

SL

NAVODILA ZA UPORABO

AG20CF2E
AG20CF2EBK

Opozorila: Pred uporabo izdelka pozorno preberite ta priročnik in ga hranite za prihodnjo uporabo. Zasnova in specifikacije se lahko spremenijo brez predhodnega obvestila za izboljšave izdelka. Za podrobnosti se posvetujte s prodajalcem ali proizvajalcem. Zgornji diagram je samo za referenco. Za standard upoštevajte videz dejanskega izdelka.

ZAHVALNO PISMO

Hvala, ker ste izbrali Midea! Pred uporabo vašega novega izdelka Midea natančno preberite ta priročnik, da zagotovite varno upravljanje z lastnostmi in funkcijami, ki jih ponuja vaša nova naprava.

VSEBINA







ZAHVALNO PISMO	01
VARNOSTNE INFORMACIJE	02
SPECIFIKACIJE	11
PREGLED IZDELKA	12
NAMESTITEV IZDELKA	14
NAVODILA ZA UPORABO	15
ČIŠČENJE IN VZDRŽEVANJE	21
ODPRAVLJANJE NAPAK	22
BLAGOVNE ZNAMKE, AVTORSKE PRAVICE IN PRAVNA IZJAVA	23
ODSTRANJEVANJE IN RECIKLIRANJE	24
OBVESTILO O VARSTVU PODATKOV	25

VARNOSTNE INFORMACIJE

Predvidena uporaba

Naslednje varnostne smernice so namenjene za preprečevanje nepredvidenih tveganj ali poškodb zaradi nevarne ali nepravilne uporabe naprave. Ob prejemu takoj preverite embalažo in napravo, da se prepričate, da ni poškodovana in zagotovite varno delovanje. Če najdete poškodbe, se obrnite na prodajalca. Spreminjanje ali prilagajanje naprave ni dovoljeno iz varnostnih razlogov. Nenamenska uporaba lahko povzroči nevarnosti in izgubo garancije.

Razlaga simbolov

	Nevarnost Ta simbol označuje, da obstaja nevarnost za življenje in zdravje ljudi zaradi izjemno vnetljivega plina.
	Opozorilo o električni napetosti Ta simbol pomeni nevarnost za življenje in zdravje ljudi zaradi napetosti.
	Opozorilo Opozorilna beseda označuje nevarnost s srednjo stopnjo tveganja, ki lahko, če se ji ne izognete, povzroči smrt ali resne telesne poškodbe.
	Previdnost Opozorilna beseda označuje nevarnost z nizko stopnjo tveganja, ki lahko, če se ji ne izognete, povzroči manjše ali zmerne poškodbe.
	Pozor Opozorilna beseda označuje pomembne informacije (npr. materialna škoda), ne pa tudi nevarnosti.
	Upoštevanje pravil Ta simbol pomeni, da mora serviser uporabljati in vzdrževati to napravo v skladu z navodili za uporabo.

Pred uporabo/zagonom enote natančno preberite ta navodila za uporabo in jih hranite v neposredni bližini mesta namestitve ali enote za kasnejšo uporabo!

SL

Varnostni ukrepi, da se izognete morebitni izpostavljenosti pretirani mikrovalovni energiji

- a. Te pečice ne poskušajte uporabljati z odprtimi vrati, saj lahko to povzroči škodljivo izpostavljenost mikrovalovni energiji. Pomembno je, da ne zlomite ali posegate v varnostne zapore.
- b. Ne postavljajte predmetov med sprednjo stran pečice in vrata in ne dovolite, da se na tesnilnih površinah naberejo ostanki umazanije ali čistila.
- c. **OPOZORILO:** Če so vrata ali tesnila vrat poškodovana, pečice ne smete upravljati, dokler je ne popravi pristojna oseba.

Dodatek

Če se naprava ne vzdržuje z ustrezno čistočo, lahko privede do poškodb na površini ter vpliva na življenjsko dobo aparata in povzroči nevarne okoliščine.

⚠ OPOZORILO

Za zmanjšanje nevarnosti požara, električnega udara, poškodb oseb ali izpostavljenosti prekomerni energiji mikrovalovne pečice med uporabo naprave preberite in upoštevajte posebne varnostne ukrepe:

- Pozorno preberite in sledite določenim:
"VARNOSTNIM UKREPOM ZA PREPREČITEV MOŽNE IZPOSTAVLJENOSTI PREKOMERNI MIKROVALOVNI ENERGIJI"
- Naprava ni namenjena za uporabo s strani oseb (vključno z otroki) z zmanjšanimi telesnimi, senzoričnimi ali psihičnimi sposobnostmi ter oseb brez izkušenj in znanja, razen če so pod nadzorom ali so dobile navodila o varni uporabi naprave od osebe, ki je odgovorna za njihovo varnost.
- Otroci morajo biti pod nadzorom, da se ne bi igrali z napravo.
- Če je napajalni kabel poškodovan, ga mora zamenjati proizvajalec, njegov pooblaščen servisni zastopnik ali podobno usposobljeno osebje, da se izognete nevarnosti.
- OPOZORILO: Pred zamenjavo žarnice se prepričajte, da je naprava izključena, da preprečite možnost električnega udara.
- OPOZORILO: Nevarno je, da kdor koli, razen pristojne osebe, opravi kakršne koli storitve ali popravila, ki vključujejo odstranitev pokrova, ki ščiti pred izpostavljenostjo mikrovalovni energiji.
- OPOZORILO: Tekočin in drugih živil ne smemo segrevati v zaprtih posodah, saj lahko eksplodirajo.

- Kadar hrano segrevate v plastičnih ali papirnatih posodah, pazite na pečico, saj obstaja nevarnost vžiga.
- Uporabljajte samo pripomočke, ki so primerni za uporabo v mikrovalovnih pečicah.
- Če opazite dim, izklopite napravo ali jo odklopite z napajanja, vrata pa pustite zaprta, da preprečite širjenje morebitnega požara.
- Segrevanje pijač v mikrovalovni pečici lahko povzroči zakasnjeno vrenje, zato bodite previdni pri ravnanju s posodami.
- Vsebino steklenic za dojenčke in otroško hrano je treba pred uživanjem premešati ali pretresti in preveriti temperaturo, da se prepreči opekline.
- Jajc v lupini in celih trdo kuhanih jajc ne segrevajte v mikrovalovni pečici, saj lahko eksplodirajo tudi po končanem segrevanju.
- Pečico je treba redno čistiti in odstranjevati ostanke hrane.
- Če ne vzdržujete čistoče v pečici, lahko to privede do propadanja njenih površin, kar lahko negativno vpliva na življenjsko dobo aparata ter privede do potencialno nevarnih situacij.
- Naprave ne smete nameščati za okrasnimi vrati, da ne pride do pregrevanja. (To ne velja za naprave z okrasnimi vrati.)
- Uporabljajte izključno temperaturno sondo, ki je priporočena za to vrsto mikrovalovne pečice. (za pečice, ki so opremljene za uporabo sonde za zaznavanje temperature.)
- Mikrovalovna pečica ne sme biti nameščena v omari, razen če je bila v omari preizkušena.

- Mikrovalovno pečico morate uporabljati odprtimi z okrasnimi vrati. (Za pečice z okrasnimi vrati.)
- Ta naprava je namenjena uporabi v gospodinjstvu in podobnih okoljih, kot so:
 - kuhinje za osebe v trgovinah, pisarnah in drugih delavnih okoljih;
 - s strani gostov v hotelih, motelih in drugih podobnih bivalnih okoljih;
 - kmetijah;
 - v namestitvah s prenočiščem in zajtrkom.
- Mikrovalovna pečica je namenjena gretju hrane in pijač. Sušenje jedi ali oblačil in gretje grelnih blazin, copat, gobic, vlažnih krp ipd. lahko povzroči poškodbe, vžig ali požar.
- Kovinskih posod za hrano in pijačo ni dovoljeno uporabljati v mikrovalovni pečici.
- Naprave ne čistite s parnim čistilcem.
- Naprava je namenjena samostojni uporabi.
- Hrbtna stran naprav mora biti nameščena ob steno.
- Oprema nije namenjena za rad putem spoljnog tajmera ili odvojenog daljinskog upravljačkog sistema.
- Температура приступачних површина може бити висока када је уређај у функцији.
- **UPOZORENJE:** Kada se uređaj koristi u kombinovanom režimu, deca bi trebalo da koriste rernu samo pod nadzorom odrasle osobe zbog temperatura koje se stvaraju.

SL

POZORNO PREBERITE IN SHRANITE ZA KASNEJŠO UPORABO

⚠ NEVARNOST

Nevarnost električnega udara

Če se dotaknete nekaterih notranjih komponent, lahko pride do resnih telesnih poškodb ali smrti. Naprave ne razstavljajte.

⚠ OPOZORILO

Nevarnost električnega udara

Neppravilna uporaba ozemljitve lahko povzroči električni udar. Naprave ne priključujte v vtičnico, dokler ni pravilno nameščena in ozemljena.

Naprava more biti ozemljena. V primeru električnega kratkega stika ozemljitev zmanjša nevarnost električnega udara z zagotavljanjem izhodne žice za električni tok.

Ta naprava je opremljena z električnim kablom, ki ima ozemljeno žico ter ozemljen vtič. Električni vtič mora biti vključen v električno vtičnico, ki je ustrezno nameščena in ozemljena.

Če navodil za ozemljitev ne razumete popolnoma ali če ste v dvomu glede pravilne ozemljitve naprave, se obrnite za pomoč na usposobljenega električarja ali serviserja.

Če morate uporabiti podaljšek električnega kabla, uporabite izključno 3-žilni kabel.

- Napravi je priložen kratek električni kabel, ki zmanjšuje nevarnost, da bi se zapletli vanj ali se spotikali ob kabel.
- Če uporabljate dolg električni kabel ali podaljšek električnega kabla:
 - Označena električna moč kompleta kabla ali podaljška kabla mora biti najmanj enaka označeni električni moči naprave.

- Podaljšek kabla mora biti ozemljitveni 3-žilni kabel.
- Dolg električni kabel mora biti razporejen tako, da se ne ovija okoli zgornje plošče pulta ali mize, od koder bi ga lahko potegnili otroci ali se vanj nenamerno spotaknili.

Vrste kuhinjskih pripomočkov

PREVIDNOST

Nevarnost telesnih poškodb

Nevarno je, da kdor koli, razen pristojne osebe, opravi kakršne koli storitve ali popravila, ki vključujejo odstranitev pokrova, ki ščiti pred izpostavljenostjo mikrovalovni energiji.

Glejte navodila v "Materiali, ki jih lahko uporabljate v mikrovalovni pečici oz. ki jih ne smete uporabljati v mikrovalovni pečici." Določeni nekovinski kuhinjski pripomočki so lahko nevarni za uporabo v mikrovalovni pečici. Če ste v dvomih, lahko pripomoček preizkusite po spodnjem postopku.

Preizkus pripomočka:

- V posodo, varno za uporabo v mikrovalovni pečici nalijte 1 skodelico hladne vode (250 ml) ter dajte vanjo pripomoček, ki ga želite preizkusiti.
- Segrevajte na največji moči 1 minuto.
- Previdno otipajte pripomoček. Če je pripomoček topel, ga ne uporabljajte v mikrovalovni pečici.
- Ne segrevajte dlje kot 1 minuto.

SL

Materiali, ki jih lahko uporabljate v mikrovalovni pečici

Vrste kuhinjskih pripomočkov	Opombe
Namenski pekač, v katerem se jed zapeče	Upoštevajte navodila proizvajalca. Dno posode za mora biti najmanj 5 mm nad vrtljivim podstavkom. Nepravilna uporaba lahko povzroči, da se vrtljivi podstavek zlomi.
Namizna posoda	Samo za uporabo v mikrovalovni pečici. Upoštevajte navodila proizvajalca. Ne uporabljajte počenih ali okrušenih posod.
Steklene posode	Vedno odstranite pokrov. Uporabljajte samo za segrevanje hrane, dokler ni topla. Večina steklenih posod ni odporna na vročino in lahko počijo.
Steklovina	Samo na vročino odporna steklovina primerna za mikrovalovno pečico. Preverite, da nima nobenih kovinskih obrob. Ne uporabljajte počenih ali okrušenih posod.
Vrečke za kuhanje v pečici	Upoštevajte navodila proizvajalca. Ne zapirajte s kovinsko vezico. Napravite zareze, da lahko para uhaja.
Papirnati krožniki in kozarci	Uporabljajte samo za kratkotrajno kuhanje/segrevanje. Med segrevanjem ne puščajte pečice brez nadzora.
Papirnate brisače	Uporabljajte za pokrivanje hrane pri ponovnem segrevanju in za vpijanje maščobe. Uporabljajte samo za kratkotrajno segrevanje pod nadzorom.
Pergamentni papir	Uporabite kot prekrivalo za preprečevanje škropljenja ali za zaščito pred paro.
Plastika	Samo za uporabo v mikrovalovni pečici. Upoštevajte navodila proizvajalca. Mora biti označena z "Varno za uporabo v mikrovalovni pečici". Nekatere plastične posode se zmeščajo, če se hrana v njih preveč segreje. "Vrečke za kuhanje" in tesno zaprte plastične vrečke je treba zarezati ali preluknjati ali odzračiti po navodilih embalaže.
Plastični ovoj	Samo za uporabo v mikrovalovni pečici. Uporabljajte za pokrivanje hrane med segrevanjem za ohranjanje vlage. Plastični ovoj se ne sme dotikati hrane.
Termometri	Samo za uporabo v mikrovalovni pečici (termometri za meso in sladkor).
Voščeni papir	Uporabite kot prekrivalo za preprečevanje škropljenja in za ohranjanje vlage.

Materiali, ki jih ne smete uporabljati v mikrovalovni pečici

Vrste kuhinjskih pripomočkov	Opombe
Aluminijast pladenj	Lahko povzroči iskrenje. Preložite hrano v posodo, ki je varna za uporabo v mikrovalovni pečici.
Škatla za živila s kovinskim ročajem	Lahko povzroči iskrenje. Preložite hrano v posodo, ki je varna za uporabo v mikrovalovni pečici.
Kovinski ali s kovino obrobjeni kuhinjski pripomočki	Kovina ščiti živila pred mikrovalovno energijo. Kovinska obroba lahko povzroči iskrenje.
Kovinske vezice	Lahko povzročijo iskrenje in ogenj v pečici.
Papirnate vrečke	Lahko povzročijo požar v pečici.
Plastična pena	Plastična pena se lahko stopi ali onesnaži tekočino v posodi, če je izpostavljena visoki temperaturi.
Les	Les se pri uporabi v mikrovalovni pečici izsuši in lahko razpoka ali počí.

SPECIFIKACIJE

MODEL	AG20CF2E / AG20CF2EBK
NAZIVNA NAPETOST	230 V-
NAZIVNA NAPETOST	50 Hz
NAZIVNA VHODNA NAPETOST (MIKROVALOVNA PEČICA)	1050 W
NAZIVNA IZHODNA NAPETOST (MIKROVALOVNA PEČICA)	700 W
NAZIVNA VHODNA NAPETOST (ŽAR)	1000 W

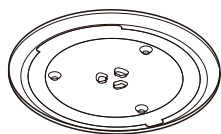
PREGLED IZDELKA

Imena sestavnih delov in dodatkov

(V primeru kakršnih koli razlik med napravo in slikami v tem priročniku ima izdelek prednost.)

Odstranite pečico in ves material iz škatle in iz notranjosti pečice.

Mikrovalovna pečica je opremljena z naslednjimi dodatki:



Stekleni podstavek



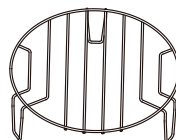
Sklop nosilca steklene plošče



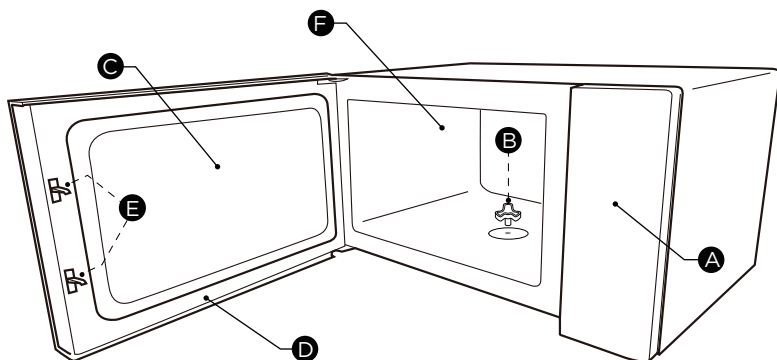
Navodila za uporabo



Os vrtljive plošče



Rešetka za žar (ni je mogoče uporabljati s funkcijo mikrovalovke in jo je treba postaviti na stekleno ploščo)



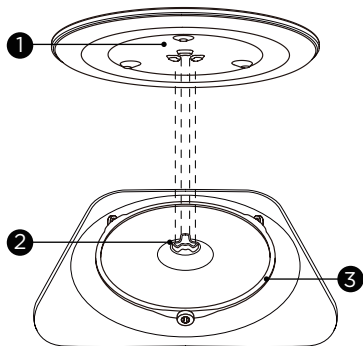
A) Nadzorna plošča
B) Os vrtljive plošče
C) Opazovalno okno

D) Sklop vrat
E) Varnostni sistem za zapiranje vrat
F) Notranjost pečice

SL

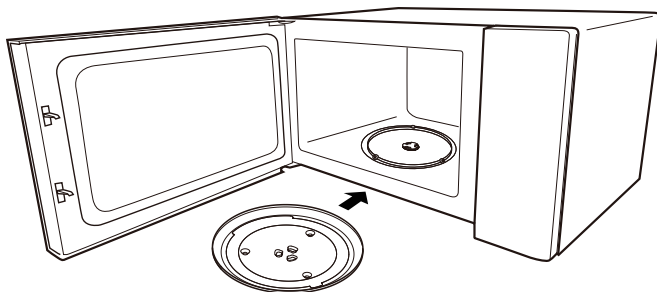
Namestitev vrtljivega podstavka

Čiščenje predela za kuhanje in namestitev vrtljivega podstavka. Za nove namestitve se prepričajte, da ste z osi vrtljivega podstavka odstranili vso embalažo in transportni trak. Pred prvo pripravo hrane, morate vrtljivi podstavek pravilno namestiti. Predel za kuhanje in dodatke morate očistiti.



Kako namestiti vrtljivi podstavek:

1. Sklop obroča vrtljivega podstavka ③ vstavite v vdolbino predela za kuhanje.
2. Stekleni pladenj ① postavite na obroč vrtljivega podstavka ③. Dvignjene, ukrivljene linije namestite na sredino dna steklenega podstavka med tri napere osi. Prepričajte se, da se stekleni podstavek ① zaskoči v osi vrtljivega podstavka ② na sredini predela za kuhanje. Valji na osi se morajo prilegati v spodnjo režo vrtljivega podstavka.



OPOMBE

- Nikoli ne uporabljajte naprave brez vrtljivega podstavka. Prepričajte se, da je pravilno nameščen. Vrtljivi podstavek se lahko obrača v smeri urinega kazalca in v nasprotni smeri.
- Nikoli ne postavite steklenega podstavka obrnjenega navzdol. Steklenega podstavka nikoli ne omejujte.
- Med uporabo naprave morata biti vedno v uporabi oba, stekleni podstavek in sklop obroča vrtljivega podstavka.
- Vsa hrana in posode s hrano morajo biti za kuhanje vedno postavljene na stekleni podstavek.
- Nikoli ne omejujte gibanja vrtljivega podstavka.
- Če stekleni podstavek ali sklop obroča vrtljivega podstavka razpokata ali se zlomita, se obrnite na najbližji pooblaščen servisni center.

SL

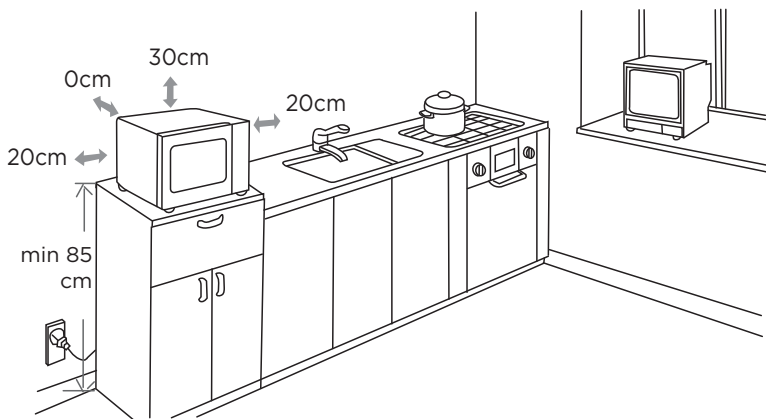
NAMESTITEV IZDELKA

Namestitev mikrovalovke

Odstranite ves embalažni material in dodatke. Preglejte pečico, da nima nobenih poškodb, kot so udrtine ali zlomljena vrata. Ne nameščajte, če je pečica poškodovana. Ohišje: Odstranite vse zaščitne folije s površine ohišja mikrovalovne pečice. Ne odstranite pokrova valovnega prevodnika, ki je nameščen v pečici, da zaščiti magnetron.

Namestitev

1. Izberite ravno površino, ki ponuja dovolj prostora za odprtine za dovod in/ali izstop zraka.



- Najmanjša višina vgradnje je 85 cm.
 - Hrbtna stran naprave mora biti postavljena ob steno. Nad površino pečice naj bo minimalno 30 cm prostora, med pečico in morebitnimi sosednjimi stenami pa mora biti najmanj 20 cm prostora.
 - Ne odstranite nog z dna pečice.
 - Blokiranje prežračevalnih dovodov in/ali odprtin lahko poškoduje napravo.
 - Pečico postavite čim dlje od radia in televizorja. Delovanje mikrovalovne pečice lahko povzroči motnje v radiu ali televiziji.
2. Priključite pečico v običajno gospodinjstvo vtičnico. Prepričajte se, da sta napetost in frekvenca enaki napetosti in frekvenci na tipski tablici naprave.

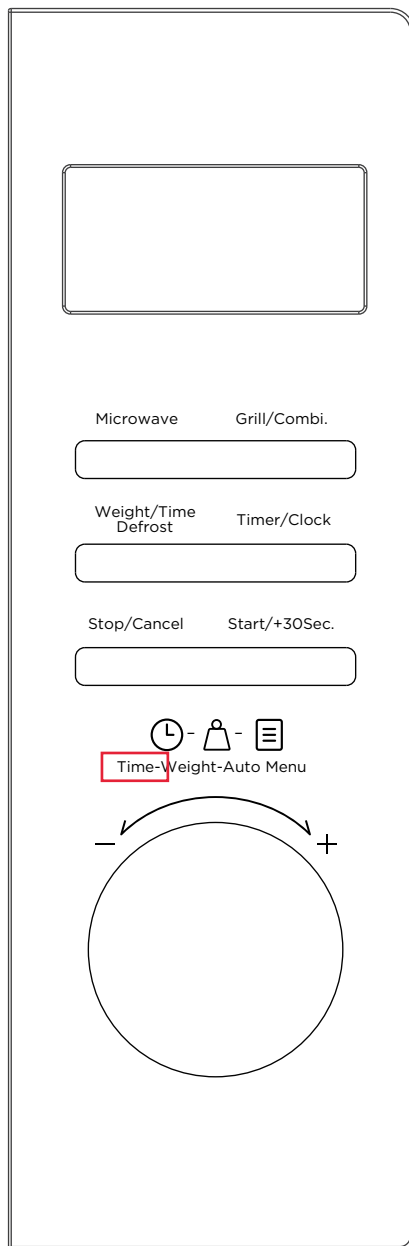
⚠ OPOZORILO

Naprave ne nameščajte nad kuhhalno ploščo ali druge naprave za ustvarjanje toplote. Če je nameščena blizu ali nad virom toplote, se lahko naprava poškoduje in tako razveljavi garancijo.

Dostopna površina je med delovanjem lahko vroča.



NAVODILA ZA UPORABO



SL

Nastavitev ure

1. Dvakrat pritisnite »Timer/Clock « in nato se prikaže »00:00«.
2. Obrnite gumb, da nastavite število ur. Čas naj bo znotraj 0-23.
3. Pritisnite » Timer/Clock « za potrditev.
4. Obrnite gumb, da nastavite številke minut. Čas naj bo znotraj 0-59.
5. Pritisnite » Timer/Clock « za potrditev. Ura je nastavljena.

OPOMBA

- Ura je prikazana v 24-urni obliki. Če ura ni nastavljena, ob napajanju ne bo delovala.
- Za ponastavitev ure ponovite korake od 1 do 5.
- Če po 4. koraku ne pritisnete »Timer/Clock« ali v 1 minuti ne izvedete nobene operacije, jenastavitev neveljavna.

Nastavitev funkcije Kuhinjski časovnik

1. Enkrat pritisnite »Timer/Clock « in nato se bo prikazalo »0:00«.
2. Zavrtite gumb, da nastavite zeleni čas. Največja časovna vrednost je »95:00«.
3. Pritisnite » Start/+30Sec. « za potrditev. Časovnik začne odštevati.

OPOMBA

Med kuhinjskim časovnikom ni mogoče nastaviti nobenega drugega programa.

Kuhanje v mikrovalovni pečici

Stopenj moči

Na voljo je 5 stopenj moči.

Stopenj moči	Zaslon
100 %	P100
80 %	P80
50 %	P50
30 %	P30
10 %	P10

1. Enkrat pritisnite » Microwave « in nato se bo prikazalo »P100«.
2. Večkrat pritisnite » Microwave « ali obrnite gumb, da nastavite stopnjo moči. Na voljo je 5 stopenj moči.
3. Pritisnite » Start/+30Sec.« za potrditev.
4. Zavrtite gumb, da nastavite čas kuhanja. Največja časovna vrednost je »95:00«.
5. Pritisnite » Start/+30Sec. « za začetek kuhanja.

OPOMBA

Če med delovanjem odprete vrata pečice ali pritisnete » Stop/Cancel « se trenutni način prekine.

Kuhanje na žaru

1. Enkrat pritisnite » Grill/Combi. « in nato se prikaže »G-1«.
2. Pritisnite » Start/+30Sec. « za potrditev.
3. Zavrtite gumb, da nastavite čas kuhanja. Največja časovna vrednost je »95:00«.
4. Pritisnite » Start/+30Sec. « za začetek kuhanja.

OPOMBA

Ko preteče polovica časa, se oglasi zvočni signal, ki vas opomni, da morate hrano obrniti. Če ni operacij, bo pečica nadaljevala z delovanjem.

Kombinirano kuhanje

1. Dvakrat » Grill/Combi. « dvakrat ali trikrat in nato se prikaže »C-1«, »C-2«.
2. Pritisnite » Start/+30Sec. « za potrditev.
3. Zavrtite gumb, da nastavite čas kuhanja. Največja časovna vrednost je »95:00«.
4. Pritisnite » Start/+30Sec. « za začetek kuhanja.

Funkcija	Zaslon	Moč mikrovalovke	Moč žara
Kombinacija 1	C-1	55 %	45 %
Kombinacija 2	C-2	36 %	64 %

Odtajanje glede na težo

1. Enkrat pritisnite » $\frac{\text{Weight/Time}}{\text{Defrost}}$ « in na zaslonu se prikaže »dEF1«.
2. Z vrtenjem gumba nastavite težo hrane. Razpon teže je 100–2000 g.
3. Pritisnite » Start/+30Sec.« za začetek odtaljevanja.

OPOMBA

Oglasil se bo zvočni signal, ki vas bo opomnil, da morate med odtaljevanjem hrano obrniti.

Če ni operacij, bo pečica nadaljevala z delovanjem.

Odtajanje glede na čas

1. Dvakrat pritisnite » $\frac{\text{Weight/Time}}{\text{Defrost}}$ « in na zaslonu se prikaže »dEF2«.
2. Zavrtite gumb, da nastavite zeleni čas odtaljevanja. Največja časovna vrednost je »95:00«.
3. Pritisnite » Start/+30Sec.« za začetek odtaljevanja.

OPOMBA

- Ko preteče polovica časa, se oglasi zvočni signal, ki vas opomni, da morate hrano obrniti. Če ni operacij, bo pečica nadaljevala z delovanjem.
- Moč odmrzovanja je P30 in je ni mogoče spremeniti.

Večstopenjsko kuhanje

OPOMBE

- Pri večstopenjskem kuhanju lahko nastavite dve stopnji kuhanja.
- Če nastavite funkcijo odtaljevanja, bo ta v prvi fazi delovala samodejno.
- Kuhinjski časovnik, samodejni meni ni mogoče nastaviti kot enega od večstopenjskih.

Primer: živila odmrzujte 5 minut in jih nato 7 minut kuhajte pri 80 % moči mikrovalovne pečice.

1. Dvakrat pritisnite » $\frac{\text{Weight/Time}}{\text{Defrost}}$ « in na zaslonu se prikaže »dEF2«.
2. Z vrtenjem gumba nastavite zeleni čas odmrzovanja 5 minut.
3. Pritisnite » Microwave « in nato se bo prikazalo »P100«.
4. Obrnite gumb, da nastavite stopnjo moči P80. Nato pritisnite » Start/+30Sec. « za potrditev.
5. Z vrtenjem gumba nastavite čas kuhanja 7 minut.
6. Pritisnite » Start/+30Sec. « za začetek kuhanja.

Hitro kuhanje

1. V stanju pripravljenosti pritisnite » Start/+30Sec. « za kuhanje hrane s 100 % močjo 30 sekund.
Vsak pritisk na isto tipko se lahko podaljša za 30 sekund, največja časovna vrednost pa je 95 minut.
2. V stanju pripravljenosti zavrtite gumb v levo, da nastavite čas kuhanja s 100 % močjo. Nato nadaljujte z obračanjem gumba, da nastavite čas kuhanja. Največja časovna vrednost je 95 minut. Pritisnite » Start/+30Sec. « za začetek kuhanja.

SL

Funkcija zaklepanja za otroke

S to funkcijo lahko otrokom preprečite, da bi pomotoma vklopili pečico.

Za aktiviranje ključavnice:

V stanju pripravljenosti pritisnite in držite » Stop/Cancel « tri sekunde. Zasliši se pisk in prikaže se »[_ _]«.

Za deaktiviranje ključavnice:

V zaklenjenem stanju pritisnite in držite » Stop/Cancel « tri sekunde. Zasliši se pisk.

Poizvedovalna funkcija

1. Če je bila ura nastavljena, se bo trenutni čas prikazal za tri sekunde s pritiskom na » Timer/Clock « v stanju kuhanja.
2. V stanju kuhanja v mikrovalovni pečici pritisnite »Microwave«, da preverite stopnjo moči. Prikazana bo tri sekunde. V stanju na žaru in v stanju kombiniranega kuhanja lahko način poizvedovanja opravite s pritiskom na » Grill/Combi. «.

Samodejni meni

1. Obrnite gumb v desno in nato bo na ekranu začel utripati znak »A-1«.
2. Nadaljujte z obračanjem gumba, da izberete meni, ki ga potrebujete. Na voljo je 8 samodejnih menijev.
3. Pritisnite » Start/+30Sec. « za potrditev.
4. Z vrtenjem gumba nastavite težo hrane.
5. Pritisnite » Start/+30Sec. « za začetek kuhanja.

OPOMBE

- Če med delovanjem odprete vrata pečice ali pritisnete » Stop/Cancel « se trenutni način prekine.
- Za izbiro »Samodejni meni« morate v stanju pripravljenosti najprej obrniti gumb v desno. Če gumb zavrtite najprej v levo, boste vnesli čas kuhanja za hitro kuhanje.

Tabela samodejnega menija

Meni	Teža	Zaslون	Moč
A-1 Samodejno ponovno segrevanje	200 g	200	P100
	400 g	400	
	600 g	600	
A-2 Zelenjava	200 g	200	P100
	300 g	300	
	450 g	450	
A-3 Riba	150 g	150	C-2
	300 g	300	
	450 g	450	
A-4 Meso	200 g	200	C-2
	300 g	300	
	500 g	500	
A-5 Testenine	50 g (s 450 g hladne vode)	50	P80
	100 g (z 800 g hladne vode)	100	
A-6 Krompir	1 (230 g)	1	P100
	2	2	
	3	3	
A-7 pica	200 g	200	P100
	400 g	400	
A-8 Riža	200 g	200	P100 + P50
	400 g	400	

SL

ČIŠČENJE IN VZDRŽEVANJE

Prepričajte se, da je naprava izklopljena iz električnega omrežja.


- Po uporabi očistite notranji predel pečice z rahlo navlaženo krpo.
- Pripomočke očistite na običajen način z milnico.
- Kadar so okvir in tesnilo vrat ter notranji deli umazani, jih je potrebno očistiti z vlažno krpo.
- Za čiščenje steklenih vrat pečice ne uporabljajte abrazivnih čistilnih sredstev ali ostrih kovinskih strgalnikov, ker lahko opraskajo površino in povzročijo, da se steklo razbije.
- Nasvet za čiščenje---Za lažje čiščenje sten notranjega predela, s katerim lahko prihaja v stik pogreeta hrana: V posodo dajte polovico limone, dodajte 300 ml vode in jo 10 minut segrevajte s polno močjo mikrovalovne pečice. Pečico očistite z mehko in suho krpo.

ODPRAVLJANJE NAPAK

Normalno	
Mikrovalovna pečica moti TV sprejem	Med delovanjem mikrovalovne pečice sta lahko radijski in TV sprejem motena. Motnje so podobne motnjam majhnih električnih naprav, na primer mešalca, sesalnika in električnega ventilatorja. To je normalno.
Zatemnjena luč mikrovalovne pečice	Če mikrovalovna pečica deluje z majhno močjo, je lahko intenzivnost svetlobe nižja. To je normalno.
Na vratih se nabira para, iz odprtih za zračenje prihaja vroč zrak	Med kuhanjem lahko iz živila izhaja para. Večina pare se odvaja skozi prezračevalne odprtine. Nekaj pa se je lahko nabira na hladnejših predelih, na primer na vratih. To je normalno.
Vklop pečice brez hrane.	Uporaba pečice brez živila je prepovedana. To je zelo nevarno.

Težava	Možen vzrok	Rešitev
Pečice ne morete vključiti.	<ul style="list-style-type: none">• Napajalni kabel ni pravilno priključen.	<ul style="list-style-type: none">• Potegnite vtič iz vtičnice. Nato ga ponovno priklopite po 10 sekundah.
	<ul style="list-style-type: none">• Pregorela varovalka ali odklopnik deluje.	<ul style="list-style-type: none">• Zamenjajte varovalko ali ponastavite odklopnik (to mora opraviti pooblaščen strokovnjak našega podjetja)
	<ul style="list-style-type: none">• Težave z vtičnico.	<ul style="list-style-type: none">• Preverite vtičnico z drugimi električnimi napravami.
Pečica ne greje.	<ul style="list-style-type: none">• Vrata niso dobro zaprta.	<ul style="list-style-type: none">• Dobro zaprite vrata.

BLAGOVNE ZNAMKE, AVTORSKE PRAVICE IN PRAVNA IZJAVA

 Midea logotip, besedne znamke, trgovsko ime, komercialni videz in vse njihove različice so dragocena sredstva skupine Midea in/ali njenih podružnic ("Midea"), za katere ima Midea v lasti blagovne znamke, avtorske pravice in druge pravice intelektualne lastnine ter vse poslovne vrednosti, ki izhajajo iz uporabe katerega koli dela blagovne znamke Midea. Uporaba blagovne znamke Midea v komercialne namene brez predhodnega pisnega soglasja družbe Midea lahko pomeni kršitev blagovne znamke ali nelojalno konkurenco, kar je v nasprotju z veljavno zakonodajo.

Ta priročnik je ustvarila Midea in Midea si pridržuje vse avtorske pravice. Nobena pravna ali fizična oseba ne sme uporabljati, podvajati, spreminjati, distribuirati v celoti ali delno tega priročnika ali združevati ali prodajati z drugimi izdelki brez predhodnega pisnega soglasja družbe Midea.

Vse opisane funkcije in navodila so bila posodobljena v času tiska tega priročnika. Vendar se lahko dejanski izdelek razlikuje zaradi izboljšanih funkcij in dizajna.

ODSTRANJEVANJE IN RECIKLIRANJE

Pomembna navodila za okolje

Skladnost z direktivo OEEO in odstranjevanje odpadnega izdelka:

Ta izdelek je v skladu z direktivo EU OEEO (2012/19/EU). Izdelek je opremljen s simbolom razvrstitve za odpadno električno in elektronsko opremo (WEEE).

Ta simbol označuje, da tega izdelka po koncu njegove življenjske dobe ne smete zavreči skupaj z drugimi gospodinjskimi odpadki. Rabljeno napravo je treba vrniti na uradno zbirno mesto za recikliranje električnih elektronskih naprav. Za informacije o lokaciji teh zbirnih sistemov se obrnite na lokalne organe ali prodajalca, kjer ste kupili izdelek. Vsako gospodinjstvo igra pomembno vlogo pri obnovitvi in recikliranju starih naprav. Ustrezno odlaganje uporabljenega aparata pomaga preprečiti morebitne negativne posledice za okolje in zdravje ljudi.

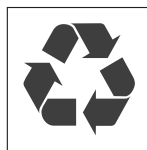


Skladnost z direktivo RoHS

Izdelek, ki ste ga kupili, je skladen z EU direktivo RoHS (2011/65/EU). Ne vsebuje škodljivih ali prepovedanih materialov, navedenih v direktivi.

Informacije o embalaži

Embalažni materiali izdelka so izdelani iz materialov, ki jih je mogoče reciklirati, v skladu z našimi nacionalnimi okoljskimi predpisi. Embalažnega materiala ne odlagajte skupaj z gospodinjskimi ali drugimi odpadki. Odnosite jih na zbirna mesta za embalažo, ki so jih določile lokalne oblasti.



SL

OBVESTILO O VARSTVU PODATKOV

Za zagotavljanje storitev, dogovorjenih s stranko, se strinjamo, da bomo brez omejitev ravnali v skladu z vsemi določili veljavne zakonodaje o varstvu podatkov, v skladu z državami, v kateri bodo zagotavljane storitve za stranko, ter (kjer je primerno), s Splošno uredbo o varstvu podatkov EU (GDPR).

Na splošno je naša obdelava podatkov namenjena izpolnjevanju naše pogodbene obveznosti z vami in zaradi varnosti izdelkov za zaščito vaših pravic v zvezi z vprašanji glede garancije in registracije izdelka. V nekaterih primerih, a le če je zagotovljeno ustrezno varstvo podatkov, se lahko osebni podatki prenesejo prejemnikom, ki se nahajajo zunaj Evropskega gospodarskega prostora.

Dodatne informacije so na voljo na zahtevo. Z našo pooblaščenico osebo za varstvo podatkov lahko stopite v stik prek **MideaDPO@midea.com**. Če želite uveljavljati svoje pravice, kot je pravica do ugovora obdelavi vaših osebnih datumov za namene neposrednega trženja, se obrnite na nas preko **MideaDPO@midea.com**. Za več informacij sledite QR-kodi.



make yourself at home



www.midea.com

© Midea 2024 all rights reserved

PN:16170000B04109