

MICROWAVE OVEN

USER MANUAL

MAG25XF

Warning notices: Before using this product, please read this manual carefully and keep it for future reference. The design and specifications are subject to change without prior notice for product improvement. Consult with your dealer or manufacturer for details. The diagram above is just for reference. Please take the appearance of the actual product as the standard.

LANGUAGES

EN English

DE German

FR French

IT Italian

PL Poland

GR Greek

HU Hungary

SR Serbian

HR Croatian

SL Slovenia

THANK YOU LETTER

Thank you for choosing Midea! Before using your new Midea product, please read this manual thoroughly to ensure that you know how to operate the features and functions that your new appliance offers in a safe way.

CONTENTS

THANK YOU LETTER	02
SAFETY INSTRUCTIONS	03
SPECIFICATION	12
PRODUCT OVERVIEW	13
PRODUCT INSTALLATION	15
OPERATION	17
TROUBLE SHOOTING	23
TRADEMARKS, COPYRIGHTS AND LEGAL STATEMENT	24
DISPOSAL AND RECYCLING	25
DATA PROTECTION NOTICE	26







EN

SAFETY INSTRUCTIONS

Intended Use

The following safety guidelines are intended to prevent unforeseen risks or damage from unsafe or incorrect operation of the appliance. Please check the packaging and appliance on arrival to make sure everything is intact to ensure safe operation. If you find any damage, please contact the retailer or dealer. Please note modifications or alterations to the appliance are not allowed for your safety concern. Unintended use may cause hazards and loss of warranty claims.

Explanation of Symbols

	Danger This symbol indicates that there are dangers to the life and health of persons due to extremely flammable gas.
	Warning of electrical voltage This symbol indicates that there is a danger to life and health of persons due to voltage.
	Warning The signal word indicates a hazard with a medium level of risk which, if not avoided, may result in death or serious injury.
	Caution The signal word indicates a hazard with a low degree of risk which, if not avoided, may result in minor or moderate injury.
	Attention The signal word indicates important information (e.g. damage to property), but not danger.
	Observe instructions This symbol indicates that a service technician should only operate and maintain this appliance in accordance with the operating instructions.

EN

Read these operating instructions carefully and attentively before using/commissioning the unit and keep them in the immediate vicinity of the installation site or unit for later use!

PRECAUTIONS TO AVOID POSSIBLE EXPOSURE TO EXCESSIVE MICROWAVE ENERGY

- a. Do not attempt to operate this oven with the door open since open door operation can result in harmful exposure to microwave energy. It is important not to defeat or tamper with the safety interlocks.
- b. Do not place any object between the oven front face and the door or allow soil or cleaner residue to accumulate on sealing surfaces.
- c. Do not operate the oven if it is damaged. It is particularly important that the oven door closes properly and that there is no damage to the:
- DOOR (bent)
 - HINGES AND LATCHES (broken or loosened)
 - DOOR SEALS AND SEALING SURFACES
- d. The oven should not be adjusted or repaired by anyone except properly qualified service personnel.

ADDENDUM

If the apparatus is not maintained in a good state of cleanliness, its surface could be degraded and affect the lifespan of the apparatus and lead to a dangerous situation.

IMPORTANT SAFETY INSTRUCTIONS

To reduce the risk of fire, electric shock, injury to persons or exposure to excessive microwave oven energy when using your appliance, follow basic precautions, including the following:

⚠ WARNING

- Read and follow the specific: “PRECAUTIONS TO AVOID POSSIBLE EXPOSURE TO EXCESSIVE MICROWAVE ENERGY”.
- This appliance can be used by children aged from 8 years and above and persons with reduced physical, sensory or mental capabilities or lack of experience and knowledge if they have been given supervision or instruction concerning use of the appliance in a safe way and understand the hazards involved. Children shall not play with the appliance. Cleaning and user maintenance shall not be made by children without supervision.
- Keep the appliance and its cord out of reach of children less than 8 years.
- If the supply cord is damaged, it must be replaced by the manufacturer, its service agent or similarly qualified persons in order to avoid a hazard.
- **WARNING:** Ensure that the appliance is switched off before replacing the lamp to avoid the possibility of electric shock.
- **WARNING:** It is hazardous for anyone other than a competent person to carry out any service or repair operation that involves the removal of a cover which gives protection against exposure to microwave energy.

EN

- **WARNING:** Liquids and other foods must not be heated in sealed containers since they are liable to explode.
- When heating food in plastic or paper containers, keep an eye on the oven due to the possibility of ignition.
- Only use utensils that are suitable for use in microwave ovens.
- If smoke is emitted, switch off or unplug the appliance and keep the door closed in order to stifle any flames.
- Microwave heating of beverages can result in delayed eruptive boiling, therefore care must be taken when handling the container.
- The contents of feeding bottles and baby food jars shall be stirred or shaken and the temperature checked before consumption, in order to avoid burns.
- Eggs in their shell and whole hard-boiled eggs should not be heated in microwave ovens since they may explode, even after microwave heating has ended.
- The oven should be cleaned regularly and any food deposits removed.
- Failure to maintain the oven in a clean condition could lead to deterioration of the surface that could adversely affect the life of the appliance and possibly result in a hazardous situation.
- The appliance must not be installed behind a decorative door in order to avoid overheating. (This is not applicable for appliances with decorative door.)
- Only use the temperature probe recommended for this oven. (for ovens provided with a facility to use a temperature-sensing probe.)
- The microwave oven shall not be placed in a cabinet unless it has been tested in a cabinet.
- The microwave oven must be operated with the decorative door open. (for ovens with a decorative door.)

EN

- This appliance is intended to be used in household and similar applications such as:
 - staff kitchen areas in shops, offices and other working environments;
 - by clients in hotels, motels and other residential type environments;
 - farm houses;
 - bed and breakfast type environments.
- The microwave oven is intended for heating food and beverages. Drying of food or clothing and heating of warming pads, slippers, sponges, damp cloth and similar may lead to risk of injury, ignition or fire.
- Metallic containers for food and beverages are not allowed during microwave cooking.
- The appliance shall not be cleaned with a steam cleaner.
- The appliance is intended to be used freestanding.
- The rear surface of appliances shall be placed against a wall.
- The appliances are not intended to be operated by means of an external timer or separate remote-control system.
- The temperature of accessible surfaces may be high when the appliance is operating.

⚠ WARNING

When the appliance is operated in the combination mode, children should only use the oven under adult supervision due to the temperatures generated.

**READ CAREFULLY AND KEEP
FOR FUTURE REFERENCE
HOUSEHOLD USE ONLY
(NOT FOR COMMERCIAL USE)**

TO REDUCE THE RISK OF INJURY TO PERSONS GROUNDING INSTALLATION

DANGER

Electric Shock Hazard:

Touching some of the internal components can cause serious personal injury or death. Do not disassemble this appliance.

WARNING

Electric Shock Hazard:

Improper use of the grounding can result in electric shock.

Do not plug into an outlet until appliance is properly installed and grounded.

This appliance must be grounded. In the event of an electrical short circuit, grounding reduces the risk of electric shock by providing an escape wire for the electric current.

This appliance is equipped with a cord having a grounding wire with a grounding plug. The plug must be plugged into an outlet that is properly installed and grounded.

Consult a qualified electrician or serviceman if the grounding instructions are not completely understood or if doubt exists as to whether the appliance is properly grounded.

If it is necessary to use an extension cord, use only a 3-wire extension cord.

1. A short power-supply cord is provided to reduce the risks resulting from becoming entangled in or tripping over a longer cord.

2. If a long cord set or extension cord is used:
 - 1) The marked electrical rating of the cord set or extension cord should be at least as great as the electrical rating of the appliance.
 - 2) The extension cord must be a grounding-type 3-wire cord.
 - 3) The long cord should be arranged so that it will not drape over the counter top or tabletop where it can be pulled on by children or tripped over unintentionally.

This appliance is a Group 2 Class B ISM equipment. Group 2 contains all ISM (Industrial, Scientific and Medical) equipment in which radio-frequency energy is intentionally generated and/or used in the form of electromagnetic radiation for the treatment of material for the treatment of material, and spark erosion equipment.

Class B equipment is suitable for use in domestic establishments and establishments directly connected to a low voltage power supply network.

EN

CLEANING

Be sure to unplug the appliance from the power supply.

1. Clean the cavity of the oven after using with a slightly damp cloth.
2. Clean the accessories in the usual way in soapy water.
3. The door frame and seal and neighbouring parts must be cleaned carefully with a damp cloth when they are dirty.

4. Do not use harsh abrasive cleaners or sharp metal scrapers to clean the oven door glass since they can scratch the surface, which may result in shattering of the glass.
5. Cleaning Tip---For easier cleaning of the cavity walls that the food cooked can touch: Place half a lemon in a bowl, add 300ml (1/2 pint) water and heat on 100% microwave power for 10 minutes. Wipe the oven clean using a soft, dry cloth.

UTENSILS

EN

CAUTION

Personal Injury Hazard:

It is hazardous for anyone other than a competent person to carry out any service or repair operation that involves the removal of a cover which gives protection against exposure to microwave energy.

See the instructions on “Materials you can use in microwave oven or to be avoided in microwave oven.” There may be certain non-metallic utensils that are not safe to use for microwaving. If in doubt, you can test the utensil in question following the procedure below.

Utensil Test:

- Fill a microwave-safe container with 1 cup of cold water (250ml) along with the utensil in question.
- Cook on maximum power for 1 minute.
- Carefully feel the utensil. If the empty utensil is warm, do not use it for microwave cooking.
- Do not exceed 1 minute cooking time.

Materials you can use in microwave oven

Utensils	Remarks
Browning dish	Follow manufacturer's instructions. The bottom of browning dish must be at least 3/16 inch (5mm) above the turntable. Incorrect usage may cause the turntable to break.
Dinnerware	Microwave-safe only. Follow manufacturer's instructions. Do not use cracked or chipped dishes.
Glass jars	Always remove lid. Use only to heat food until just warm. Most glass jars are not heat resistant and may break.
Glassware	Heat-resistant oven glassware only. Make sure there is no metallic trim. Do not use cracked or chipped dishes.
Oven cooking bags	Follow manufacturer's instructions. Do not close with metal tie. Make slits to allow steam to escape.
Paper plates and cups	Use for short-term cooking/warming only. Do not leave oven unattended while cooking.
Paper towels	Use to cover food for reheating and absorbing fat. Use with supervision for a short-term cooking only.
Parchment paper	Use as a cover to prevent splattering or a wrap for steaming.
Plastic	Microwave-safe only. Follow the manufacturer's instructions. Should be labeled "Microwave Safe". Some plastic containers soften, as the food inside gets hot. "Boiling bags" and tightly closed plastic bags should be slit, pierced or vented as directed by package.
Plastic wrap	Microwave-safe only. Use to cover food during cooking to retain moisture. Do not allow plastic wrap to touch food.
Thermometers	Microwave-safe only (meat and candy thermometers).
Wax paper	Use as a cover to prevent splattering and retain moisture.

EN

Materials to be avoided in microwave oven

Utensils	Remarks
Aluminum tray	May cause arcing. Transfer food into microwave-safe dish.
Food carton with metal handle	May cause arcing. Transfer food into microwave-safe dish.
Metal or metal-trimmed utensils	Metal shields the food from microwave energy. Metal trim may cause arcing.
Metal twist ties	May cause arcing and could cause a fire in the oven.
Paper bags	May cause a fire in the oven.
Plastic foam	Plastic foam may melt or contaminate the liquid inside when exposed to high temperature.
Wood	Wood will dry out when used in the microwave oven and may split or crack.

SPECIFICATION

Model	MAG25XF
Rated Voltage/Frequency	230-240 V- 50 Hz
Rated Microwave Input	1250 W
Rated Microwave Output	800 W
Rated Microwave Input (Grill)	1000 W

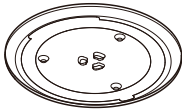
EN

PRODUCT OVERVIEW

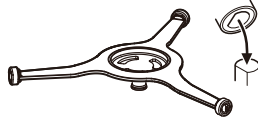
Names of Oven Parts and Accessories

In case of any differences between the appliance and the pictures in this manual, the product shall prevail.

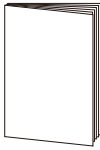
Remove the oven and all materials from the carton and oven cavity. Your oven comes with the following accessories:



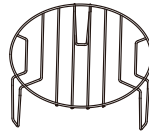
Glass Tray



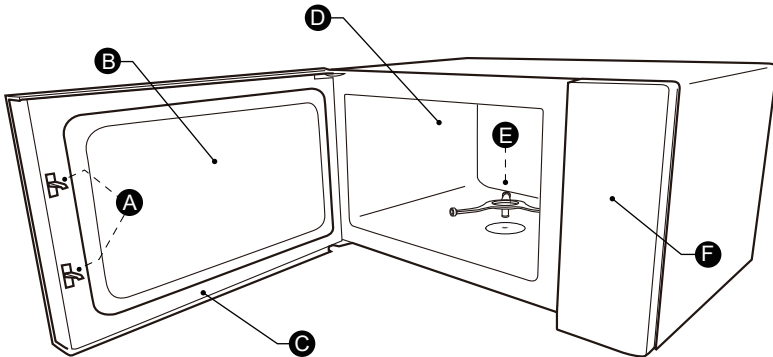
Turntable Ring Assembly



Instruction Manual



Grill Rack (Can not be used in microwave function and must be placed on the glass tray.)



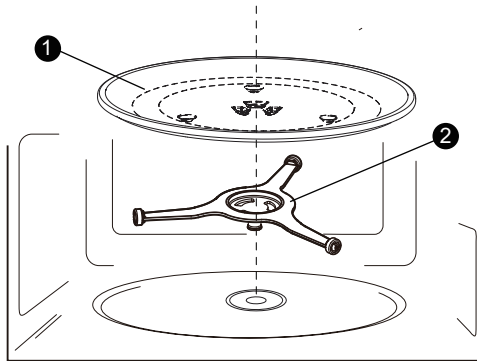
- A) Safety interlock system
- B) Observation window
- C) Door assembly

- D) Oven cavity
- E) Turntable Ring Assembly
- F) Control panel

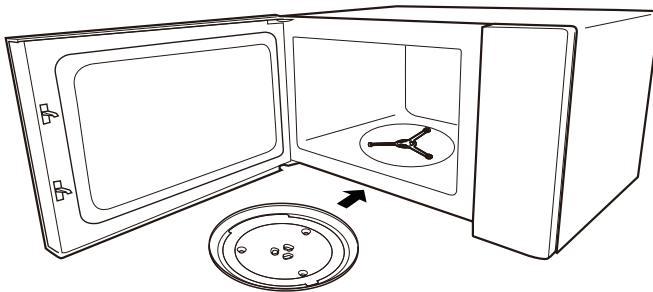
PRODUCT OVERVIEW

Names of Oven Parts and Accessories

Cleaning the cooking compartment and putting the turntable in place. For new installations, make sure all packaging and shipping tape has been removed. Before using the appliance to prepare food for the first time, you will need to put the turntable in place correctly. You must clean the cooking compartment and accessories.



- 1) Glass Tray
- 2) Turntable Ring Assembly



NOTES

- 1. Never use the appliance without the turntable. Make sure that it is properly engaged. The turntable can turn clockwise or anti-clockwise.
- 2. Never place the glass tray upside down. The glass tray should never be restricted.
- 3. Both glass tray and turntable ring assembly must always be used during cooking.
- 4. All food and containers of food are always placed on the glass tray for cooking.
- 5. Never restrict the movement of the turntable.
- 6. If glass tray or turntable ring assembly cracks or breaks, contact your nearest authorized service center.

PRODUCT INSTALLATION

Countertop Installation

Remove all packing material and accessories. Examine the oven for any damage such as dents or broken door. Do not install if oven is damaged.

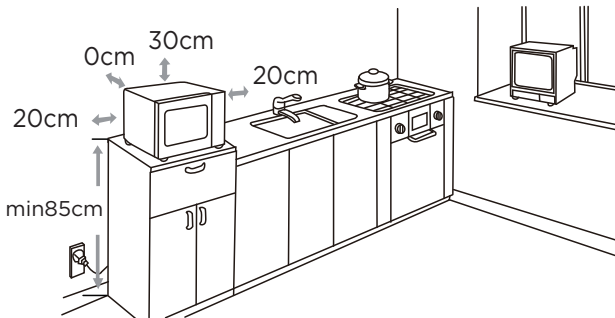
Cabinet: Remove any protective film found on the microwave oven cabinet surface.

Do not remove the Waveguide cover that is attached to the oven cavity to protect the magnetron.

INSTALLATION

1. Select a level surface that provide enough open space for the intake and/or outlet vents.
 - The minimum installation height is 85cm.
 - The rear surface of appliance shall be placed against a wall. Leave a minimum clearance of 30cm above the oven. A minimum clearance of 20cm is required, between the oven and any adjacent walls.
 - Do not remove the legs from the bottom of the oven.
 - Blocking the intake and/or outlet openings can damage the oven.
 - Place the oven as far away from radios and TV as possible. Operation of microwave oven may cause interference to your radio or TV reception.

EN



2.Plug your oven into a standard household outlet.

Be sure the voltage and the frequency is the same as the voltage and the frequency on the rating label.

⚠ WARNING

Do not install oven over a range cooktop or other heat-producing appliance. If installed near or over a heat source, the oven could be damaged and the warranty would be void.

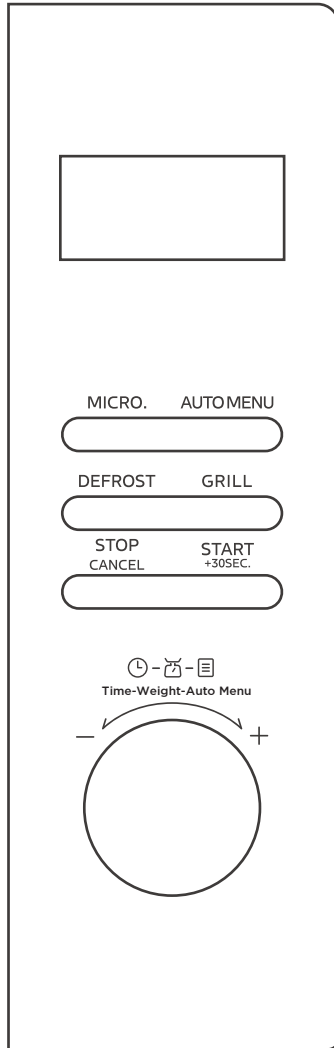


EN

The accessible surface may be hot during operation.

OPERATION

Control Panel



EN

OPERATION

1. Microwave Cooking

After connecting the oven to the power, "0:00" shows on the display. The buzzer sounds. 5 power levels are available.

Power	100%	80%	50%	30%	10%
Display	P100	P80	P50	P30	P10

- (1) Press "MICRO." once and then "P100" will display.
- (2) Press "MICRO." repeatedly or turn the knob to set the power level.
The 5 power levels are available.
- (3) Press "START"
+30SEC. to confirm.
- (4) Turn the knob to set the cooking time. The maximum time value is "95:00".
- (5) Press "START"
+30SEC. to start cooking.

EN

Notes

- (1) Opening the oven door or pressing "STOP"
CANCEL during operation will interrupt the current mode.
- (2) The step quantities for the adjustment time of the coding switch are as follow:
0---1 min : 5 seconds
1---5 min : 10 seconds
5---10 min : 30 seconds
10 ---30 min : 1 minute
30---95 min : 5 minutes

2. Grill Cooking

- (1) Press "GRILL" once and then "G-1" will display.
- (2) Press "START"
+30SEC. to confirm.
- (3) Turn the knob to set the cooking time. The maximum time value is "95:00".
- (4) Press "START"
+30SEC. to start cooking.

Note

The buzzer will sound to remind you to turn the food over during grill cooking. If no operation, the oven will continue working.

OPERATION

3. Defrost by Weight

- (1) Press “DEFROST” once and then the screen will display “dEF1”.
- (2) Turn the knob to set the weight of the food. The range of weight is 100 to 2000g.
- (3) Press “**START**”
+30SEC. to start defrosting.

Note

The buzzer will sound to remind you to turn the food over during defrosting. If no operation, the oven will continue working.

4. Defrost by Time

- (1) Press “DEFROST” twice and then the screen will display “dEF2”.
- (2) Turn the knob to set the defrost time. The maximum time value is “95:00”.
- (3) Press “**START**”
+30SEC. to start defrosting.

Notes

- (1) The buzzer will sound to remind you to turn the food over during defrosting. If no operation, the oven will continue working.
- (2) The defrost power is P30 and it cannot be changed.

5. Speedy Cooking

- (1) In standby mode, turn the knob left to set a cooking time at 100% power. Continue to turn the knob to adjust the cooking time. Then press “**START**”
+30SEC. to start cooking. The maximum time value is “95:00”.
- (2) In standby mode, press “**START**”
+30SEC. to cook food at 100% power level for 30 seconds. Each press on the same key can increase 30 seconds and the maximum time value is “95:00”.

Note

In cooking state and defrosting by time state, each more press on **START**
+30SEC. can increase the cooking time by 30 seconds (except for defrost by weight, the auto menu, and the first stage of multi-stage cooking).

OPERATION

6. Combination Cooking

- (1) Press “GRILL” once and then “G-1” will display.
- (2) Press “GRILL” repeatedly or turn the knob and then “C-1”, “C-2” will display.
- (3) Press “**START**”
+30SEC. to confirm.
- (4) Turn the knob to set the cooking time. The maximum time value is “95:00”.
- (5) Press “**START**”
+30SEC. to start cooking.

Combination Cooking Chart

Function	Display	Microwave Power	Grill Power
Combi. 1	C-1	55%	45%
Combi. 2	C-2	36%	64%

EN

7. Multi-Stage Cooking

Example: Defrost food for 5 minutes and then cook with 80% microwave power for 7 minutes.

- (1) Press “DEFROST” twice and then the screen will display “dEF2”.
- (2) Turn the knob to set the desired defrost time to 5 minutes.
- (3) Press “MICRO.” once and then “P100” will display.
- (4) Press “MICRO.” again or turn the knob to set the power level to P80.
- (5) Press “**START**”
+30SEC. to confirm the microwave power.
- (6) Turn the knob to set the cooking time to 7 minutes.
- (7) Press “**START**”
+30SEC. to start cooking.

Notes

- (1) Two cooking stages can be set in multi-stage cooking.
- (2) If you set the defrost function, it will work automatically in the first stage.
- (3) The kitchen timer, the auto menu cannot be set as one of the multi-stage.

OPERATION

8. Auto Menu

- (1) Press “AUTO MENU” once or turn the knob right, “A-01” will display.
- (2) Press “AUTO MENU” repeatedly or turn the knob to choose the menu you need.
The 9 auto menus are available.
- (3) Press “**START**”
+30SEC. to confirm.
- (4) Turn the knob to set the weight of the food.
- (5) Press “**START**”
+30SEC. to start cooking.

Auto Menu Chart

Menu	Weight	Display	Power	
A-01 Auto Reheat	200g	200	P100	
	400g	400		
A-02 Meat	250g	250		
	350g	350		
	450g	450		
A-03 Fresh Vegetable	200g	200		
	300g	300		
	400g	400		
A-04 Pasta	50g	50		P80
	100g	100		
A-05 Potato	1 (230g)	1		P100
	2 (460g)	2		
	3 (690g)	3		
A-06 Fish	250g	250	P80	
	350g	350		
	450g	450		

EN

OPERATION

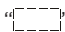
Menu	Weight	Display	Power
A-07 Beverage	1cup (120ml)	1	P100
	2cups (240ml)	2	
	3cups (360ml)	3	
A-08 Popcorn	50g	50	P100
	100g	100	
A-09 Bread	50g	50	P50
	100g	100	
	150g	150	
	200g	200	
	250g	250	P100+P80+P50
	350g	350	
	500g	500	
	700g	700	

EN

9. Lock Function for Children

You can use this function to prevent children from accidentally turning the oven on.

To activate the lock:

In standby mode, press and hold “STOP CANCEL” for three seconds. A long beep sounds and “” will display.

To deactivate the lock:

In the locked state, press and hold “STOP CANCEL” for three seconds. A long beep sounds.

10. Inquiring Function

- (1) In the microwave cooking state, press “MICRO.” to inquire about the power level. It will display for three seconds.
- (2) In the grill and combination cooking state, press “GRILL” to inquire about the cooking mode. It will display for three seconds.


TROUBLE SHOOTING

Normal	
Microwave oven interfering TV reception	Radio and TV reception may be interfered when microwave oven operating. It is similar to the interference of small electrical appliances, like mixer, vacuum cleaner, and electric fan. It is normal.
Dim oven light	In low power microwave cooking, oven light may become dim. It is normal.
Steam accumulating on door, hot air out of vents	In cooking, steam may come out of food. Most will get out from vents. But some may accumulate on cool place like oven door. It is normal.
Oven started accidentally with no food in.	It is forbidden to run the unit without any food inside. It is very dangerous.

EN

Trouble	Possible Cause	Remedy
Oven cannot be started.	(1) Power cord is not plugged in tightly.	Unplug. Then plug again after 10 seconds.
	(2) Fuse blowing or circuit breaker works.	Replace fuse or reset circuit breaker (repaired by professional personnel of our company).
	(3) Trouble with outlet.	Test outlet with other electrical appliances.
Oven does not heat.	(4) Door is not closed well.	Close door well.

TRADEMARKS, COPYRIGHTS AND LEGAL STATEMENT

 Midea logo, word marks, trade name, trade dress and all versions thereof are valuable assets of Midea Group and/or its affiliates (“Midea”), to which Midea owns trademarks, copyrights and other intellectual property rights, and all goodwill derived from using any part of an Midea trademark. Use of Midea trademark for commercial purposes without the prior written consent of Midea may constitute trademark infringement or unfair competition in violation of relevant laws.

This manual is created by Midea and Midea reserves all copyrights thereof. No entity or individual may use, duplicate, modify, distribute in whole or in part this manual, or bundle or sell with other products without the prior written consent of Midea.

All the described functions and instructions were up to date at the time of printing this manual. However, the actual product may vary due to improved functions and designs.

DISPOSAL AND RECYCLING

Important instructions for environment

Compliance with the WEEE Directive and Disposing of the Waster Product:
This product complies with EU WEEE Directive (2012/19/EU). This product bears a classification symbol for waster electrical and electronic equipment (WEEE).

This symbol indicates that this product shall not be disposed with other household wastes at the end of its service life. Used device must be returned to official collection point for recycling of electrical electronic devices. To find these collection systems please contact to your local authorities or retailer where the product was purchased. Each household performs important role in recovering and recycling of old appliance. Appropriate disposal of used appliance helps prevent potential negative consequences for the environment and human health.



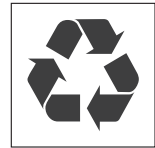
EN

Compliance with RoHS Directive

The product you have purchased complies with EU RoHS Directive (2011/65/EU). It does not contain harmful and prohibited materials specified in the Directive.

Package information

Packaging materials of the product are manufactured from recyclable materials in accordance with our National Environment Regulations. Do not dispose of the packaging materials together with the domestic or other wastes. Take them to the packaging material collection points designated by the local authorities.



DATA PROTECTION NOTICE

For the provision of the services agreed with the customer, we agree to comply without restriction with all stipulations of applicable data protection law, in line with agreed countries within which services to the customer will be delivered, as well as, where applicable, the EU General Data Protection Regulation (GDPR).

Generally, our data processing is to fulfil our obligation under contract with you and for product safety reasons, to safeguard your rights in connection with warranty and product registration questions. In some cases, but only if appropriate data protection is ensured, personal data might be transferred to recipients located outside of the European Economic Area.

EN

Further information are provided on request. You can contact our Data Protection Officer via **MideaDPO@midea.com**. To exercise your rights such as right to object your personal data being processed for direct marketing purposes, please contact us via **MideaDPO@midea.com**. To find further information, please follow the QR Code.

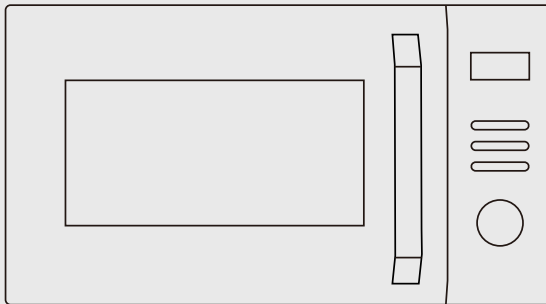


make yourself at home



www.midea.com

© Midea 2024 all rights reserved



MIKROWELLE

BEDIENUNGSANLEITUNG

MAG25XF

Warnhinweise: Bitte lesen Sie sich die Bedienungsanleitung vor der Verwendung des Produkts aufmerksam durch und bewahren Sie sie für späteres Nachschlagen auf. Das Design und die Spezifikationen können ohne vorherige Ankündigung zur Produktverbesserung geändert werden.

Wenden Sie sich für Einzelheiten an Ihren Fachhändler oder an den Hersteller.

Die vorstehende schematische Darstellung dient lediglich als Referenz. Beziehen Sie sich stets auf das Ihnen tatsächliche vorliegende Produkt.

DANKSCHREIBEN

Vielen Dank, dass Sie sich für Midea entschieden haben! Bevor Sie Ihr neues Midea-Produkt in Betrieb nehmen, lesen Sie bitte dieses Handbuch aufmerksam durch, damit Sie wissen, wie Sie die Funktionen Ihres neuen Geräts auf sichere Weise nutzen können.

INHALTSVERZEICHNIS

DANKSCHREIBEN	02
SICHERHEITSHINWEISE	03
TECHNISCHE DATEN	14
PRODUKTÜBERSICHT	15
PRODUKTINSTALLATION	17
BEDIENUNGSHINWEISE	19
PROBLEMBEHEBUNG	25
MARKEN, URHEBERRECHTE UND RECHTLICHER HINWEIS	26
ENTSORGUNG UND RECYCLING	27
HINWEISE ZUM DATENSCHUTZ	28

SICHERHEITSHINWEISE

Vorgesehene Benutzung

Mit den folgenden Sicherheitsrichtlinien soll nicht vorhersehbaren Risiken oder Schäden aufgrund eines unsachgemäßen oder nicht ordnungsgemäßen Betrieb des Geräts vorgebeugt werden. Wenn Sie das Gerät empfangen haben, vergewissern Sie sich bitte, dass weder die Verpackung des Geräts noch das Gerät selbst beschädigt sind/wurden, um einen sicheren Betrieb zu gewährleisten. Sollten Sie einen Schaden feststellen, wenden Sie sich bitte an Ihren Händler oder Verkäufer. Zu Ihrer eigenen Sicherheit sind Modifikationen oder Veränderungen am Gerät untersagt. Zweckentfremdete Nutzung kann zu Gefährdungen und dem Erlöschen der Garantie führen.

Erklärung der Symbole



Gefahr

Dieses Symbol weist auf Gefahren für das Leben und die Gesundheit von Personen aufgrund leicht entflammbarer Gase hin.



Stromschlaggefahr

Dieses Symbol weist auf Gefahren für das Leben und die Gesundheit von Personen aufgrund elektrischer Spannung hin.



Warnung

Dieses Signalwort weist auf Gefährdungen mit einem mittleren Risikograd hin, die bei Nichtvermeidung Tod oder schwere Verletzungen zur Folge haben können.



Vorsicht

Dieses Signalwort weist auf Gefährdungen mit einem niedrigen Risikograd hin, die bei Nichtvermeidung leichte bis mittelschwere Verletzungen zur Folge haben können.



Achtung

Dieses Signalwort weist auf wichtige Informationen wie beispielsweise Schäden am Eigentum hin, die jedoch keine Gefährdung sind.



Anweisungen befolgen

Dieses Symbol weist darauf hin, dass Servicetechniker dieses Gerät nur gemäß der Bedienungsanleitung bedienen und warten sollten.

Lesen Sie diese Bedienungsanleitung aufmerksam durch, bevor Sie das Gerät in Betrieb nehmen, und bewahren Sie sie für späteren Gebrauch in unmittelbarer Nähe Geräts auf!

SICHERHEITSHINWEISE ZUM VERMEIDEN MÖGLICHER EXPOSITION DURCH ÜBERHÖHTE MIKROWELLENENERGIE

- a. Versuchen Sie nicht, den Mikrowellenofen mit offener Tür zu betreiben, da die offene Tür zu einer gefährlichen Belastung durch Mikrowellenenergie führt. Die Sicherheitsverriegelungen dürfen weder umgangen noch modifiziert werden.
- b. Legen Sie keine Gegenstände zwischen die Vorderseite des Backofens und die Tür und achten Sie darauf, dass sich keine Schmutz- oder Reinigungsmittelreste auf den Dichtungsflächen ansammeln.
- c. Nehmen Sie den Mikrowellenofen nicht in Betrieb, wenn er beschädigt ist. Es ist besonders wichtig, dass die Tür einwandfrei schließt und keine Beschädigungen an der Tür vorhanden sind:
 - TÜR (verbogen)
 - SCHARNIERE UND VERRIEGELUNGEN (gebrochen oder gelockert)
 - TÜRDICHTUNGEN UND DICHTUNGSFLÄCHEN
- d. Der Mikrowellenofen darf nur von qualifiziertem Kundendienstpersonal eingestellt oder repariert werden.

DE

ANHANG

Wenn das Gerät nicht in einem sauberen Zustand gehalten wird, kann seine Oberfläche beschädigt und die Lebensdauer des Geräts verkürzt werden und möglicherweise können gefährliche Situationen entstehen.

WICHTIGE SICHERHEITSHINWEISE

Befolgen Sie bei der Benutzung des Geräts die nachstehend aufgeführten allgemeinen Sicherheitshinweise, um die Gefahr von Feuer, Stromschlag, Verletzungen oder übermäßiger Mikrowellenstrahlung ausgesetzt zu werden, zu reduzieren:

⚠️ WARNUNG

- Lesen und befolgen Sie insbesondere:
„SICHERHEITSHINWEISE ZUM VERMEIDEN MÖGLICHER EXPOSITION DURCH ÜBERHÖHTE MIKROWELLENENERGIE“.
- DE** • Dieses Gerät kann von Kindern ab 8 Jahren und Personen mit eingeschränkten physischen, sensorischen oder geistigen Fähigkeiten oder unzureichenden Erfahrungen und Kenntnissen benutzt werden, wenn sie beaufsichtigt werden oder sie in die sichere Benutzung des Gerätes eingewiesen worden sind und die mit der Benutzung verbundenen Gefahren verstehen. Kinder dürfen nicht mit dem Gerät spielen. Reinigung und Benutzerwartung dürfen von Kindern nur unter Aufsicht durchgeführt werden.
- Halten Sie sowohl das Gerät als auch sein Kabel außerhalb der Reichweite von Kindern unter 8 Jahren.
- Wenn das Netzkabel beschädigt wurde, muss es entweder vom Hersteller, einem autorisierten Kundendienst oder ähnlich qualifiziertem Personal ausgetauscht werden, um Gefahren vorzubeugen.
- **WARNUNG:** Vergewissern Sie sich, dass das Gerät ausgeschaltet ist, bevor Sie die Innenbeleuchtung der Mikrowelle wechseln, um Stromschlag vorzubeugen.
- **WARNUNG:** Für Nichtfachleute ist die Ausführung von Wartungs- und Reparaturarbeiten gefährlich,

wenn eine vor Mikrowellenstrahlung schützende Abdeckung entfernt wird.

- **WARNUNG:** Flüssigkeiten und Speisen dürfen nicht in verschlossenen Behältern erhitzt werden. Explosionsgefahr.
- Lassen Sie die Mikrowelle nicht unbeaufsichtigt, wenn Sie Speisen in Kunststoff- oder Papierverpackungen erhitzen, weil diese sich entzünden können.
- Benutzen Sie nur für Mikrowellen geeignetes Zubehör.
- Wenn Rauch entsteht, schalten Sie das Gerät aus, trennen Sie es vom Stromnetz und lassen Sie die Gerätetür geschlossen, um die Flammen zu ersticken.
- Das Erhitzen von Getränken in einer Mikrowelle kann zum verzögerten plötzlichen Aufwallen führen. Seien Sie deshalb bei der Handhabung des Behälters vorsichtig.
- Der Inhalt von Nuckelflaschen und Babynahrung in Gläsern muss umgerührt oder geschüttelt werden. Überprüfen Sie vor dem Füttern die Temperatur der Babynahrung, um Verbrennungen vorzubeugen.
- Ungeschälte und hartgekochte Eier dürfen nicht in der Mikrowelle erhitzt werden, weil diese selbst dann noch explodieren können, wenn das Erhitzen bereits beendet ist.
- Reinigen Sie die Mikrowelle regelmäßig und entfernen Sie dabei alle Speisereste.
- Verschmutzung kann zur Zerstörung der Oberflächenbeschichtung und in Folge dessen zu einer verkürzten Lebensdauer des Geräts und damit zu gefährlichen Situationen führen.
- Das Gerät darf nicht hinter einer Außentür eingebaut werden, um einer Überhitzung vorzubeugen. (ausgenommen Geräte mit Ziertür.)
- Benutzen Sie nur ein für diesen Dampfbackofen empfohlenes Fleischthermometer. (für Backöfen zum Anschluss eines Temperaturmessfühlers).

DE

- Die Mikrowelle darf nicht in einen Schrank gestellt werden, es sei denn, sie wurde hierfür getestet.
- Die Mikrowelle muss mit geöffneter Ziertür betrieben werden. (für Mikrowellen mit Ziertür).
- Dieses Gerät ist für die Benutzung im Haushalt und ähnlichen Anwendungen bestimmt, wie beispielsweise:
 - Mitarbeiter-Küchenbereiche in Geschäften, Büros und anderen Arbeitsumgebungen;
 - Durch Kunden in Hotels, Motels und anderen Wohnumgebungen;
 - Landwirtschaftlichen Gebäuden;
 - Umgebungen wie Frühstückspensionen.
- Die Mikrowelle ist für das Erhitzen von Speisen und Getränken bestimmt. Das Trocknen von Speisen und Kleidung und das Erhitzen von Wärmekissen, Hausschuhen, Schwämmen, feuchten Tüchern usw. kann zu Verletzungen, Feuer oder Funkenbildung führen.
- Speisen- und Getränkebehälter aus Metall dürfen nicht in der Mikrowelle benutzt werden.
- Das Gerät darf nicht mit einem Dampfreiniger gereinigt werden.
- Das Gerät ist für eine freistehende Benutzung bestimmt.
- Die Rückseite des Geräts muss einer Wand zugewandt sein.
- Das Gerät ist nicht für den Betrieb mit einer externen Zeitschaltuhr oder einer separaten Fernbedienung vorgesehen.
- Die erreichbaren Oberflächen können während der Benutzung des Geräts heiß sein.

▲WARNUNG

Wenn das Gerät im Modus Kombiniertes Garen betrieben wird, dürfen Kinder die Mikrowelle aufgrund

der erzeugten Temperaturen nur unter der Aufsicht von Erwachsenen benutzen.

**LESEN SIE ALLE HINWEISE
AUFMERKSAM DURCH UND
BEWAHREN SIE SIE FÜR ZUKÜNFTIGES
NACHSCHLAGEN AUF NUR FÜR DEN
HAUSGEBRAUCH
(NICHT ZUR GEWERBLICHEN
NUTZUNG)**

DE

ZUR VERRINGERUNG DES VERLETZUNGSRIKOS FÜR PERSONEN, DIE DIE INSTALLATION ERDEN

GEFAHR

Stromschlaggefahr:

Das Berühren einiger der internen Komponenten kann zu schweren oder tödlichen Verletzungen führen. Demontieren Sie das Gerät nicht.

WARNUNG

Stromschlaggefahr:

Unsachgemäßer Anschluss der Erdung kann zu Stromschlag führen.

Stecken Sie den Netzstecker erst dann in eine Steckdose, wenn das Gerät ordnungsgemäß installiert und geerdet ist.

Dieses Gerät muss geerdet werden. Bei Kurzschluss verringert die Erdung das Risiko eines Stromschlags, indem sie dem Strom einen Ausweichpfad bietet.

Dieses Gerät ist mit einem Netzkabel ausgestattet, das sowohl einen Erdleiter als auch einen

Schutzkontaktstecker besitzt. Der Netzstecker muss in eine Steckdose gesteckt werden, die ordnungsgemäß installiert und geerdet ist.

Wenden Sie sich an einen qualifizierten Elektriker oder Servicetechniker, wenn Sie die Erdungshinweise nicht vollständig verstanden haben oder Sie sich nicht sicher sind, ob das Gerät ordnungsgemäß geerdet ist.

Wenn Sie ein Verlängerungskabel benutzen müssen, dann benutzen Sie nur ein 3-adriges Verlängerungskabel.

1. Für das Gerät wird nur ein kurzes Netzkabel mitgeliefert, um die Risiken langer Kabel wie verheddern oder darüber stolpern zu reduzieren.
2. Wenn ein langes Netzkabel oder Verlängerungskabel verwendet wird:
 - 1) Der elektrische Nennwert des Netz- oder Verlängerungskabels muss mindestens so groß sein wie die elektrische Leistung des Geräts.
 - 2) Das Verlängerungskabel muss ein 3-adriges geerdetes Kabel sein.
 - 3) Ein langes Netzkabel muss so verlegt werden, dass es nicht über Arbeits- oder Tischplatte hängt, wo Kinder daran ziehen können oder unbeabsichtigt darüber gestolpert werden kann.

DE

Dieses Gerät ist ein ISM-Gerät der Klasse B der Gruppe 2. Gruppe 2 umfasst alle ISM-Geräte (Industrie, Wissenschaft und Medizin), in denen Hochfrequenzenergie absichtlich erzeugt und/oder in Form elektromagnetischer Strahlung zur Materialbearbeitung verwendet wird, sowie Funkerosionsgeräte.

Geräte der Klasse B sind für den Einsatz in Wohngebäuden und Einrichtungen geeignet, die direkt an ein Niederspannungsnetz angeschlossen sind.

REINIGUNG

Trennen Sie das Gerät immer vom Stromnetz, bevor Sie es reinigen.

1. Reinigen Sie den Garraum der Mikrowelle nach der Benutzung mit einem leicht angefeuchteten Tuch.
2. Reinigen Sie die Zubehörteile wie gewohnt in Seifenlauge.

3. Türrahmen, Türdichtung und benachbarte Teile müssen bei Verschmutzung sorgfältig mit einem angefeuchteten Tuch gereinigt werden.
4. Verwenden Sie keine scharfen, aggressiven Reiniger oder scharfe Metallkratzer, um das Glas der Tür zu reinigen, weil dadurch die Oberfläche zerkratzt werden kann und dies zum Zerspringen des Glases führen könnte.
5. Reinigungstipp – Für die einfachere Reinigung der Garraumwände, die in Kontakt mit den Gargut kommen können: Legen Sie eine halbe Zitrone in eine Schüssel, geben Sie 300 ml Wasser hinzu und erhitzen Sie alles 10 Minuten lang mit 100 % Mikrowellenleistung. Wischen Sie die Mikrowelle anschließend mit einem weichen, trockenen Tuch sauber.

DE

UTENSILIEN

VORSICHT

Verletzungsgefahr:

Für Nichtfachleute ist die Ausführung von Wartungs- und Reparaturarbeiten gefährlich, wenn eine vor Mikrowellenstrahlung schützende Abdeckung entfernt wird.

Schlagen Sie unter „Materialien, die Sie im Mikrowellenofen benutzen können“ oder „Materialien, die Sie im Mikrowellenofen nicht benutzen dürfen“ nach. Es kann bestimmte nichtmetallische Gefäße geben, das für die Mikrowelle nicht sicher ist. Wenn Sie sich nicht sicher sind, können Sie das jeweilige Utensil wie nachstehend beschrieben testen.

Utensilentest:

- Füllen Sie einen mikrowellengeeigneten Behälter mit 1 Tasse kaltem Wasser (250 ml) und legen Sie das zu testende Utensil hinein.
- Erhitzen Sie es 1 Minute lang bei maximaler Leistung.
- Berühren Sie das Utensil vorsichtig. Wenn das leere Utensil warm ist, dann benutzen Sie es nicht zum Garen in der Mikrowelle.
- Erhitzen Sie es nicht länger als 1 Minute.

Materialien, die Sie im Mikrowellenofen benutzen können

Utensilien	Hinweise
Bräter	Befolgen Sie die Anweisungen des Herstellers. Der Boden des Bräters muss sich mindestens 5 mm über dem Drehteller befinden. Bei unsachgemäßer Benutzung kann der Drehteller zerbrechen.
Essgeschirr	Nur mikrowellengeeignet. Befolgen Sie die Hinweise des Herstellers. Benutzen Sie weder zerbrochenes noch gesprungenes Geschirr.
Glasbehälter	Entfernen Sie stets den Deckel. Benutzen Sie sie nur zum Aufwärmen von Gerichten. Die meisten Glasbehälter sind nicht hitzebeständig und können springen.
Glasgeschirr	Nur hitzebeständiges mikrowellengeeignetes Glasgeschirr. Vergewissern Sie sich, dass keine metallischen Verzierungen vorhanden sind. Benutzen Sie weder zerbrochenes noch gesprungenes Geschirr.
Kochbeutel	Befolgen Sie die Anweisungen des Herstellers. Verschließen Sie sie nicht mit Metallverschlüssen. Stechen Sie kleine Löcher in den Kochbeutel, damit entstehender Dampf entweichen kann.
Papierteller und Papierbecher	Benutzen Sie es nur für kurzzeitiges Garen/Aufwärmen. Lassen Sie die Mikrowelle während des Betriebs nicht unbeaufsichtigt.
Küchentücher	Zum Abdecken von Lebensmitteln während des Aufwärmens und um Fett zu absorbieren benutzen. Benutzen Sie sie nur unter Aufsicht für kurzzeitiges Garen.
Backpapier	Benutzen Sie es zum Abdecken, um Spritzer zu vermeiden oder um Speisen zum Dünsten einzuwickeln.

DE

Kunststoff	Nur mikrowellengeeignet. Befolgen Sie die Anleitungen des Herstellers. Der Kunststoff muss mit "Mikrowellengeeignet" gekennzeichnet sein. Einige Kunststoffbehälter werden weich, wenn das darin befindliche Gargut heiß wird. Kochbeutel und fest verschlossene Kunststoffbeutel müssen gemäß den Anweisungen auf der Verpackung geschlitzt, durchbohrt oder belüftet werden.
Frischhaltefolie	Nur mikrowellengeeignet. Benutzen Sie sie zum Abdecken der Speisen während des Garens, um Feuchtigkeit zurückzuhalten. Halten Sie Frischhaltefolie von den Speisen fern.
Thermometer	Nur mikrowellengeeignete (Fleisch- und Zuckerthermometer).
Wachspapier	Benutzen Sie es zum Abdecken, um Spritzer zu vermeiden oder Feuchtigkeit zurückzuhalten.

Materialien, die Sie nicht im Mikrowellenofen benutzen dürfen

DE	Utensilien	Hinweise
	Aluminiumbräter	Funken können entstehen. Geben Sie die Speisen in eine mikrowellengeeignete Schüssel bzw. auf einen Teller.
	Verpackungen aus Pappe mit Metallgriff	Funken können entstehen. Geben Sie die Speisen in eine mikrowellengeeignete Schüssel bzw. auf einen Teller.
	Metallisches oder metallbeschichtetes Zubehör	Metall hält die Mikrowellenstrahlung von den Speisen fern. Metallische Verzierungen können die Ursache für Funkenbildung sein.
	Metallische Verschlüsse	Sie können Funken bilden und in der Mikrowelle einen Brand verursachen.
	Papiertüten	Sie können sich in der Mikrowelle entzünden.
	Schaumstoff	Wenn Schaumstoff hohen Temperaturen ausgesetzt wird, dann kann er schmelzen oder die darin befindliche Flüssigkeit verunreinigen.
	Holz	Wenn Holz in der Mikrowelle verwendet wird, trocknet es aus und kann reißen oder sich spalten.

TECHNISCHE DATEN

Modell	MAG25XF
Nennspannung/Nennfrequenz	230-240 V- 50 Hz
Mikrowelle-Nennaufnahmeleistung	1250 W
Mikrowelle-Nennausgangsleistung	800 W
Mikrowelle-Nennaufnahmeleistung (Grill)	1000 W

DE

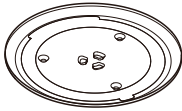
PRODUKTÜBERSICHT

Bezeichnung der Mikrowellen- und Zubehörteile

Bei Abweichungen zwischen dem Gerät und den Abbildungen in dieser Anleitung hat das Produkt Vorrang.

Nehmen Sie die Mikrowelle aus der Verpackung und alle sich im Garraum der Mikrowelle befindlichen Teile heraus.

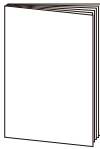
Ihre Mikrowelle wird mit folgendem Zubehör geliefert:



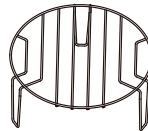
Glasscheibe



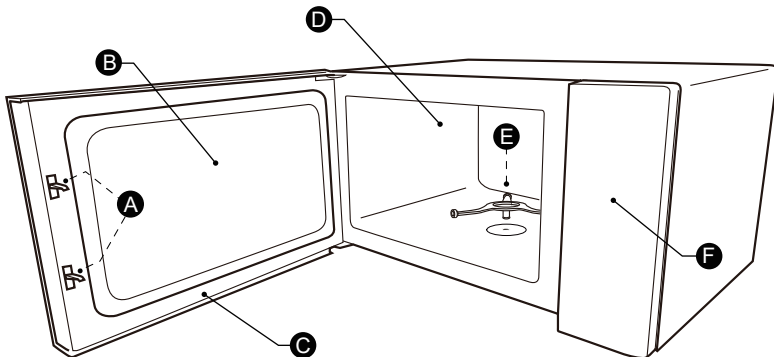
Drehring



Bedienungsanleitung



Grillrost (kann nicht in der Mikrowellenfunktion verwendet werden und muss auf den Glasscheibe gestellt werden).



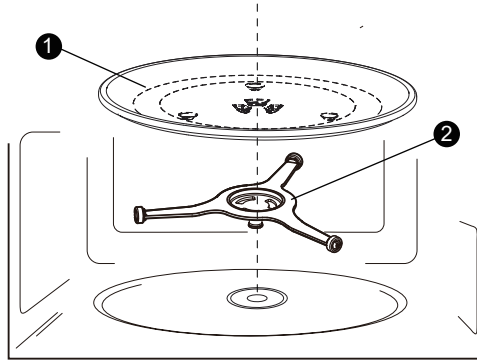
- A) Sicherheitsverriegelung
- B) Beobachtungsfenster
- C) Tür

- D) Garraum
- E) Drehtellerring
- F) Bedienfeld

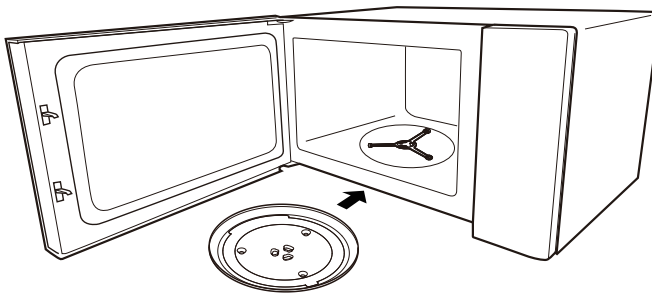
PRODUKTÜBERSICHT

Bezeichnung der Mikrowellen- und Zubehörteile

Reinigen Sie den Garraum und setzen Sie den Drehteller an den für ihn vorgesehenen Platz. Vergewissern Sie sich bei Neuinstallationen, dass alle Verpackungsmaterialien und Klebebänder entfernt wurden. Bevor Sie das Gerät das erste Mal für die Zubereitung von Speisen benutzen können, müssen Sie den Drehteller ordnungsgemäß einsetzen. Weiterhin müssen Sie den Garraum und die Zubehörteile reinigen.



- 1) Glasscheibe
- 2) Drehtellerring



HINWEISE

1. Benutzen Sie das Gerät niemals ohne Drehteller. Vergewissern Sie sich, dass er ordnungsgemäß eingerastet ist. Der Drehteller kann sich im oder gegen den Uhrzeigersinn drehen.
2. Setzen Sie die Glasscheibe keinesfalls verkehrt herum ein. Die Glasscheibe muss sich jederzeit frei bewegen können.
3. Beim Garen müssen Glasscheibe und Drehtellerring immer zusammen verwendet werden.
4. Alle Nahrungsmittel und Lebensmittelbehältnisse müssen zum Garen auf die Glasscheibe gestellt/gelegt werden.
5. Behindern Sie niemals die Bewegung des Drehtellers.
6. Wenn die Glasscheibe oder der Drehtellerring Risse aufweist oder bricht, wenden Sie sich an den nächsten autorisierten Kundendienst.

PRODUKTINSTALLATION

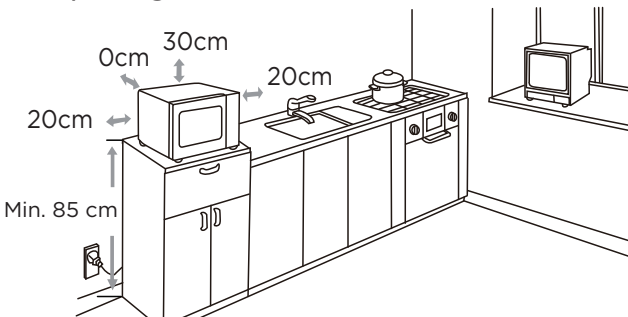
Aufstellen auf einer Arbeitsplatte

Entfernen Sie alle Verpackungsmaterialien und Zubehörteile. Überprüfen Sie die Mikrowelle auf Beschädigungen wie Beulen oder eine beschädigte Tür. Stellen Sie die Mikrowelle nicht auf, wenn sie beschädigt ist.

Gehäuse: Entfernen Sie alle Schutzfolien auf dem Gehäuse des Mikrowellenofens. Entfernen Sie nicht die Hohlleiterabdeckung, die zum Schutz des Magnetrons im Garraum angebracht ist.

AUFSTELLEN

1. Wählen Sie eine ebene Fläche aus, die genügend Freiraum für Lufteinlass und/oder Luftauslass bietet.
- Die Mindestaufstellhöhe beträgt 85 cm.
 - Die Rückseite des Geräts muss einer Wand zugewandt sein. Lassen Sie einen Mindestabstand von 30 cm über dem Mikrowellenofen. Zwischen dem Mikrowellenofen und angrenzenden Wänden ist ein Mindestabstand von 20 cm erforderlich.
 - Entfernen Sie nicht die Standfüße auf der Unterseite der Mikrowelle.
 - Das Blockieren der Ein- und/oder Auslassöffnungen kann zur Beschädigung der Mikrowelle führen.
 - Stellen Sie die Mikrowelle so weit wie möglich von Radio- und Fernsehgeräten entfernt auf. Der Betrieb der Mikrowelle kann zu Störungen des Radio- oder Fernsehempfangs führen.



BEDIENUNGSHINWEISE

2. Schließen Sie Ihre Mikrowelle an einer Schutzkontaktsteckdose an.

Vergewissern Sie sich, dass Netzspannung und Netzfrequenz mit den Angaben auf dem Typenschild übereinstimmen.

▲ WARNUNG

Stellen Sie den Mikrowellenofen nicht über einer Herdplatte oder einem anderen wärmeerzeugenden Gerät auf. Wenn Sie die Mikrowelle über oder in der Nähe von Wärmequellen aufstellen, kann sie beschädigt werden und darüber hinaus erlischt auch die Garantie.

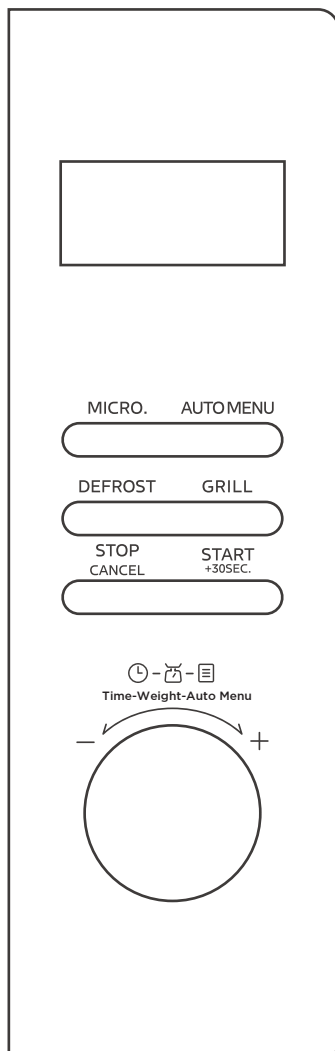
DE



Die zugänglichen Oberflächen können während des Betriebs heiß werden.

BEDIENUNGSHINWEISE

Bedienfeld



DE

BEDIENUNGSHINWEISE

1. Garen in der Mikrowelle

Nachdem Sie den Mikrowellenofen am Stromnetz angeschlossen haben, wird „0:00“ angezeigt. Der Summer ertönt.

Es gibt 5 Leistungsstufen.

Leistung	100 %	80 %	50 %	30 %	10 %
Anzeige	P100	P80	P50	P30	P10

- (1) Drücken Sie einmal „MICRO.“, dann wird „P100“ angezeigt.
- (3) Drücken Sie wiederholt „MICRO.“ oder stellen Sie mit dem Drehknopf die Leistungsstufe ein.
5 Leistungsstufen sind verfügbar.
- (2) Drücken Sie „**START**“_{+30SEC.} Bestätigen.
- (3) Stellen Sie mit dem Drehknopf die Zubereitungszeit ein. Der maximale Zeitwert ist "95:00".
- (4) Drücken Sie „**START**“_{+30SEC.}, um den Garvorgang zu starten.

DE

Hinweise

- (1) Ein Öffnen der Mikrowellentür während des Betriebs oder das Drücken von „**STOP**“_{CANCEL} unterbricht den aktuellen Modus.
- (2) Die Schrittweite für die Einstellung der Zeit beträgt:
0---1 Minute : 5 Sekunden
1---5 Minute : 10 Sekunden
5---10 Minute : 30 Sekunden
10---30 Minute : 1 Minute
30---95 Minute : 5 Minuten

2. Grillen

- (1) Drücken Sie einmal „GRILL“. Daraufhin wird „G-1“ angezeigt.
- (2) Drücken Sie „**START**“_{+30SEC.} Bestätigen.
- (4) Stellen Sie mit dem Drehknopf die Zubereitungszeit ein. Der maximale Zeitwert ist "95:00".
- (3) Drücken Sie „**START**“_{+30SEC.}, um den Garvorgang zu starten.

BEDIENUNGSHINWEISE

Hinweis

Der Summer ertönt, um Sie daran zu erinnern, die Lebensmittel während des Grillvorgangs zu wenden.

Falls kein Vorgang stattfindet, setzt der Backofen den Betrieb fort.

3. Auftauen nach Gewicht

- (1) Drücken Sie einmal „DEFROST“, damit wird „DEF1“ angezeigt.
- (2) Stellen Sie mit dem Drehregler das Gewicht der Lebensmittel ein. Der Gewichtsbereich beträgt 100 bis 2000 g.
- (3) Drücken Sie „**START**“, um das Auftauen zu starten.

Hinweis

Der Summer ertönt, um Sie daran zu erinnern, die Lebensmittel während des Auftauens zu wenden. Falls kein Vorgang stattfindet, setzt der Backofen den Betrieb fort.

4. Auftauen nach Zeit

- (1) Drücken Sie zweimal „DEFROST“, damit wird „DEF2“ angezeigt.
- (2) Stellen Sie mit dem Drehknopf die Auftauzeit ein. Der maximale Zeitwert ist "95:00".
- (3) Drücken Sie „**START**“, um das Auftauen zu starten.

Hinweise

- (1) Der Summer ertönt, um Sie daran zu erinnern, die Lebensmittel während des Auftauens zu wenden. Falls kein Vorgang stattfindet, setzt der Backofen den Betrieb fort.
- (2) Die Auftauleistung beträgt P30 und kann nicht geändert werden.

5. Schnellgaren

- (1) Drehen Sie im Standby-Modus den Drehknopf nach links, um eine Garzeit mit 100 % Leistung einzustellen.
Drehen Sie ihn weiter, um die Garzeit einzustellen. Dann drücken Sie „**START**“, um mit der Zubereitung zu beginnen. Der maximale Zeitwert ist "95:00".
- (5) Drücken Sie im Standby-Modus „**START**“, um die Speisen 30 Sekunden bei 100 % Leistung zu garen. Mit jedem Druck auf dieselbe Taste verlängert sich die Zeit um 30 Sekunden, die Höchstzeit beträgt „95:00“.

BEDIENUNGSHINWEISE

Hinweis

Im Garzustand und beim Auftauen nach Zeit kann jeder weitere Druck auf **START**_{+30SEC.} die Garzeit um 30 Sekunden verlängern (außer beim Auftauen nach Gewicht, im Auto-Menü und in der ersten Stufe des mehrstufigen Kochens).

6. Kombiniertes Garen

- (1) Drücken Sie einmal „GRILL“. Daraufhin wird „G-1“ angezeigt.
- (2) Drücken Sie wiederholt „GRILL“ oder drehen Sie den Knopf und dann werden „C-1“ und „C-2“ angezeigt.
- (3) Drücken Sie „**START**“_{+30SEC.} Bestätigen.
- (4) Stellen Sie mit dem Drehknopf die Zubereitungszeit ein. Der maximale Zeitwert ist "95:00".
- (5) Drücken Sie „**START**“_{+30SEC.}, um den Garvorgang zu starten.

DE

Kombinierte Gartabelle

Funktion	Anzeige	Mikrowellenleistung	Grillleistung
Kombiniertes Garen 1	C-1	55 %	45 %
Kombiniertes Garen 2	C-2	36 %	64 %

7. Mehrstufiges Garen

Beispiel: Speisen für 5 Minuten auftauen und dann für 7 Minuten mit 80 % Mikrowellenleistung garen.

- (1) Drücken Sie zweimal „DEFROST“, damit wird „dEF2“ angezeigt.
- (2) Stellen Sie mit dem Drehknopf die gewünschte Auftauzeit auf 5 Minuten ein.
- (3) Drücken Sie einmal „MICRO.“, dann wird „P100“ angezeigt.
- (4) Drücken Sie erneut „MICRO.“ oder stellen Sie mit dem Drehknopf die Leistungsstufe auf P80 ein.
- (5) Drücken Sie „**START**“_{+30SEC.}, um die Mikrowellenleistung zu bestätigen.
- (6) Stellen Sie mit dem Drehknopf die Zubereitungszeit auf 7 Minuten ein.
- (7) Drücken Sie „**START**“_{+30SEC.}, um den Garvorgang zu starten.

Hinweise

- (1) Zum mehrstufigen Garen können zwei Garstufen eingestellt werden.

BEDIENUNGSHINWEISE

- (2) Wenn Sie die Auftaufunktion einstellen, wird sie automatisch in der ersten Stufe ausgeführt.
- (3) Kurzzeitwecker und Auto-Menü können nicht als eine von mehreren Stufen eingestellt werden.

8. Auto-Menü

- (1) Drücken Sie einmal „AUTO MENU“ oder drehen Sie den Knopf nach rechts. Daraufhin wird „A-01“ angezeigt.
- (2) Drücken Sie wiederholt „AUTO MENU“ oder drehen Sie den Knopf, um das gewünschte Menü auszuwählen.

Es stehen 9 Auto-Menüs verfügbar.

- (3) Drücken Sie „**START**“_{+30SEC.} Bestätigen.
- (4) Stellen Sie mit dem Drehregler das Gewicht der Lebensmittel ein.
- (5) Drücken Sie „**START**“_{+30SEC.}, um den Garvorgang zu starten.

DE

Übersicht Auto-Menüs

Menü	Gewicht	Anzeige	Leistung
A-01 Automatisches Aufwärmen	200 g	200	P100
	400 g	400	
A-02 Fleisch	250 g	250	
	350 g	350	
	450 g	450	
A-03 Frisches Gemüse	200 g	200	
	300 g	300	
	400 g	400	
A-04 Pasta	50 g	50	
	100 g	100	
A-05 Kartoffeln	1 (230 g)	1	P100
	2 (460 g)	2	
	3 (690 g)	3	

Menü	Gewicht	Anzeige	Leistung
A-06 Fisch	250 g	250	P80
	350 g	350	
	450 g	450	
A-07 Getränke	1 Tasse (120 ml)	1	P100
	2 Tassen (240 ml)	2	
	3 Tassen (360 ml)	3	
A-08 Popcorn	50 g	50	
	100 g	100	
A-09 Brot	50 g	50	P50
	100 g	100	
	150 g	150	
	200 g	200	P100+P80+P50
	250 g	250	
	350 g	350	
	500 g	500	
	700 g	700	

DE

9. Kindersicherung

Sie können diese Funktion verwenden, um zu verhindern, dass Kinder die Mikrowelle versehentlich einschalten.

Kindersicherung aktivieren:

Halten Sie im Standby-Modus „STOP“ für drei Sekunden gedrückt. Es ertönt ein langer Signalton und „[]“ wird angezeigt.

Kindersicherung deaktivieren:

Berühren und halten Sie „STOP“ im gesperrten Zustand drei Sekunden gedrückt. Es ertönt ein langer Signalton.

10. Abfragefunktion

- (1) Drücken Sie im Mikrowellenbetrieb „MICRO.“, um die Leistungsstufe abzufragen. Diese wird drei Sekunden angezeigt.
- (2) Drücken Sie im Grill- und kombinierten Kochzustand auf „GRILL“, um sich über den Kochmodus zu erkundigen. Diese wird 3 Sekunden angezeigt.


PROBLEMBEHEBUNG

Normal	
Die Mikrowelle stört den Fernsehempfang	Radio- und Fernsehempfang können durch den Betrieb der Mikrowelle gestört werden. Dies ähnelt den Störungen durch kleine Elektrogeräte wie beispielsweise Mixer, Staubsauger und Ventilator. Das ist eine normale Erscheinung.
Schwache Innenbeleuchtung	Beim Garen mit niedriger Leistung kann die Helligkeit der Innenbeleuchtung gedimmt sein. Das ist eine normale Erscheinung.
Dampf sammelt sich an der Mikrowellentür, heiße Luft tritt aus den Luftauslässen aus	Beim Garen kann Dampf aus dem Gargut austreten. Der größte Teil davon entweicht über den Luftauslass. Allerdings kann sich immer etwas Dampf an kühlen Stellen wie beispielsweise der Tür sammeln. Das ist eine normale Erscheinung.
Der Mikrowellenofen hat sich versehentlich eingeschaltet, obwohl sich keine Lebensmittel darin befanden.	Es ist untersagt, die Mikrowelle leer zu betreiben. Das ist sehr gefährlich.

DE

Problem	Mögliche Ursache	Abhilfe
Die Mikrowelle kann nicht gestartet werden.	(1) Der Netzstecker steckt nicht fest in der Steckdose.	Ziehen Sie den Netzstecker. Stecken Sie den Netzstecker nach 10 s wieder in die Netzsteckdose.
	(2) Die Sicherung brennt durch oder der Leistungsschalter wird ausgelöst.	Wechseln Sie die Sicherung oder setzen Sie den Leistungsschalter zurück (Reparatur durch Fachpersonal).
	(3) Probleme mit der Steckdose.	Überprüfen Sie die Steckdose mit anderen Elektrogeräten.
Die Mikrowelle heizt nicht.	(4) Die Tür ist nicht ordnungsgemäß geschlossen.	Schließen Sie die Tür des Mikrowellenofens ordnungsgemäß.

MARKEN, URHEBERRECHTE UND RECHTLICHER HINWEIS

 Midea Logo, Wortmarken, Handelsname, Handelsaufmachung und alle Versionen davon sind wertvolle Vermögenswerte des Midea-Konzerns und/oder seinen verbundenen Unternehmen („Midea“), an denen Midea Marken-, Urheberrechte und andere geistige Eigentumsrechte besitzt, sowie der gesamte Geschäftswert, der sich aus der Verwendung eines Teils einer Midea-Marke ergibt. Die Verwendung der Midea-Marke zu kommerziellen Zwecken ohne die vorherige schriftliche Zustimmung von Midea kann eine Markenverletzung oder unlauteren Wettbewerb darstellen und gegen die einschlägigen Gesetze verstoßen.

Dieses Handbuch wurde von Midea erstellt und Midea behält sich alle Urheberrechte daran vor. Ohne die vorherige schriftliche Zustimmung von Midea darf weder eine juristische noch eine natürliche Person dieses Handbuch ganz oder teilweise verwenden, vervielfältigen, verändern, verteilen oder mit anderen Produkten bündeln oder verkaufen.

DE

Alle beschriebenen Funktionen und Anleitungen waren zum Zeitpunkt der Drucklegung dieses Handbuchs auf dem neuesten Stand. Das tatsächliche Produkt kann jedoch aufgrund von verbesserten Funktionen und Designs abweichen.

ENTSORGUNG UND RECYCLING

Wichtige Hinweise zum Umweltschutz

Einhaltung der WEEE-Richtlinie und Vorschriften hinsichtlich der umweltgerechten Entsorgung von Elektro- und Elektronik-Altgeräten:

Dieses Produkt entspricht der WEEE-Richtlinie der EU (2012/19/EU). Dieses Produkt trägt ein Klassifizierungssymbol für Elektro- und Elektronikaltgeräte (WEEE).

Dieses Symbol weist darauf hin, dass das Produkt am Ende seiner Nutzungsdauer nicht mit anderen Haushaltsabfällen entsorgt werden darf. Das Altgerät muss bei einer offiziellen Sammelstelle für das Recycling von Elektro- und Elektronikgeräten abgegeben werden. Um diese Sammelstellen zu finden, wenden Sie sich bitte an Ihre örtlichen Behörden oder an den Händler, bei dem Sie das Produkt gekauft haben. Jeder Haushalt spielt eine wichtige Rolle bei der Rücknahme und dem Recycling von Altgeräten. Die ordnungsgemäße Entsorgung von Altgeräten hilft bei der Vermeidung möglicher negativer Folgen für die Umwelt und die menschliche Gesundheit.



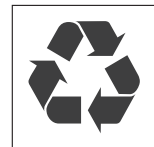
DE

Einhaltung der RoHS-Richtlinie

Das von Ihnen erworbene Produkt entspricht der RoHS-Richtlinie der EU (2011/65/EU). Es enthält keine schädlichen und verbotenen Materialien, die in der Richtlinie aufgeführt sind.

Hinweise zur Verpackung

Das Verpackungsmaterial für dieses Produkt ist aus wiederverwertbaren Materialien hergestellt und entspricht den nationalen Umweltvorschriften. Entsorgen Sie dieses Verpackungsmaterial nicht über den Hausmüll oder andere Abfälle. Bringen Sie es zu den von den örtlichen Behörden bestimmten Sammelstellen für Verpackungsmaterial.



HINWEISE ZUM DATENSCHUTZ

Für die Erbringung der mit dem Kunden vereinbarten Dienstleistungen, verpflichten wir uns gemäß Vereinbarung mit den Ländern, in denen die Dienstleistungen für den Kunden erbracht werden, zur uneingeschränkten Einhaltung sämtlicher Bestimmungen des geltenden Datenschutzrechts sowie ggf. der EU-Datenschutz-Grundverordnung (DSGVO).

Im Allgemeinen dient unsere Datenverarbeitung der Erfüllung unserer vertraglichen Verpflichtung Ihnen gegenüber und aus Gründen der Produktsicherheit, zur Wahrung Ihrer Rechte im Zusammenhang mit Garantie- und Produktregistrierungsfragen. In einigen Fällen, aber nur wenn ein angemessener Datenschutz gewährleistet ist, können personenbezogene Daten an Empfänger außerhalb des Europäischen Wirtschaftsraums übermittelt werden.

DE

Weitere Informationen erhalten Sie auf Anfrage. Sie können unseren Datenschutzbeauftragten über **MideaDPO@midea.com**. Um Ihre Rechte auszuüben, wie z. B. das Recht auf Widerspruch gegen die Verarbeitung Ihrer personenbezogenen Daten zu Direktmarketingzwecken, kontaktieren Sie uns bitte über **MideaDPO@midea.com**. Um weitere Informationen zu erhalten, folgen Sie bitte dem QR-Code.

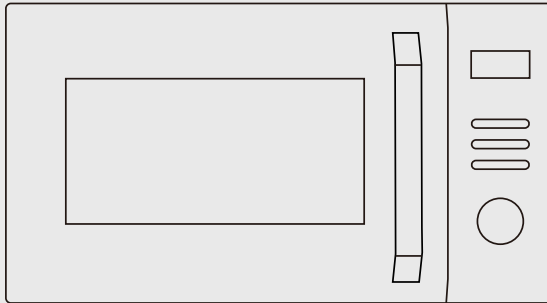


make yourself at home



www.midea.com

© Midea 2024 Wszelkie prawa zastrzeżone



FOUR À MICRO-ONDES

GUIDE D'UTILISATION

MAG25XF

Avertissements : Avant d'utiliser ce produit, veuillez lire attentivement ce manuel et le garder pour une référence future. La conception et les spécifications sont susceptibles d'être modifiées sans préavis pour améliorer le produit.

Contactez votre revendeur ou fabricant pour plus de détails.

Le schéma ci-dessus n'est qu'à titre de référence. Veuillez vous baser sur l'apparence du produit réel.

LETTRE DE REMERCIEMENT

Merci d'avoir choisi Midea ! Avant d'utiliser votre nouveau produit Midea, veuillez lire attentivement ce manuel pour vous assurer que savez comment utiliser les caractéristiques et fonctions offertes par votre nouvel appareil en toute sécurité.

SOMMAIRE

LETTRE DE REMERCIEMENT	02
CONSIGNES DE SÉCURITÉ	03
CARACTÉRISTIQUES	13
APERÇU DU PRODUIT	14
INSTALLATION DU PRODUIT	16
UTILISATION	18
DÉPANNAGE	24
MARQUES COMMERCIALES, DROITS D'AUTEUR ET MENTIONS LÉGALES	25
ÉLIMINATION ET RECYCLAGE	26
AVIS DE PROTECTION DES DONNÉES	27

CONSIGNES DE SÉCURITÉ

Utilisation prévue

Les consignes de sécurité suivantes ont pour but de prévenir les risques ou les dommages imprévus résultant d'une utilisation dangereuse ou incorrecte de l'appareil. Veuillez vérifier l'emballage et l'appareil à l'arrivée pour vous assurer que tout est intact afin de garantir un fonctionnement sûr. Si vous trouvez un quelconque dommage, veuillez contacter le détaillant ou le revendeur. Veuillez noter que les modifications ou altérations de l'appareil ne sont pas autorisées pour des raisons de sécurité. Une utilisation non prévue peut entraîner des risques et la perte des droits à la garantie.

Explication des symboles



Danger

Ce symbole indique la présence de dangers pour la vie et la santé des personnes en raison du gaz extrêmement inflammable.



Avertissement relatif à la tension électrique

Ce symbole indique la présence d'un danger pour la vie et la santé des personnes en raison de la tension.



Avertissement

Ce symbole indique un danger ayant un niveau de risque moyen susceptible de provoquer la mort ou des blessures graves s'il n'est pas évité.



Mise en garde

La mention d'avertissement indique un danger avec un niveau de risque faible qui, s'il n'est pas évité, peut entraîner des blessures légères ou modérées.



Attention

La mention d'avertissement indique une information importante (p. ex. un dommage matériel), mais pas un danger.



Respectez les instructions

Ce symbole indique qu'un technicien de service ne doit utiliser et entretenir cet appareil que conformément aux instructions d'utilisation.

FR

Il faut lire prudemment et attentivement ce manuel avant d'utiliser/de mettre en service l'appareil et le conserver à proximité immédiate du lieu d'installation ou de l'appareil pour toute utilisation future !

PRÉCAUTIONS POUR ÉVITER UNE POSSIBLE EXPOSITION À UNE ÉNERGIE EXCESSIVE DES MICRO-ONDES

- a. N'essayez pas de faire fonctionner ce four avec la porte ouverte, car cela peut entraîner une exposition nocive à l'énergie des microondes.
Il est important de ne pas annuler ou altérer les dispositifs de verrouillage de sécurité.
- b. Ne pas placer un objet entre la face avant et la porte, ou laisser de la saleté ou des résidus de nettoyage s'accumuler sur les surfaces du joint.
- FR
- c. N'utilisez pas le four s'il est endommagé. Il est particulièrement important que la porte du four se ferme correctement et qu'il n'y ait aucun dommage aux :
- PORTE (courbée)
 - CHARNIÈRES ET LOQUETS (cassés ou desserrés)
 - JOINTS DE PORTE ET SURFACE D'ÉTANCHÉITÉ
- d. Le four ne doit être réglé ou réparé que par un personnel qualifié.

ADDITIF

Si l'appareil n'est maintenu en bon état de propreté, ses surfaces peuvent se dégrader, affecter sa durée de vie et entraîner une situation dangereuse.

INSTRUCTIONS DE SÉCURITÉ IMPORTANTES

Pour réduire le risque d'incendie, de décharge électrique, de blessures ou d'exposition à une énergie excessive du four à micro-ondes lors de l'utilisation de votre appareil, suivez les précautions de sécurité de base, notamment les suivantes :

▲ AVERTISSEMENT

- Lisez et suivez les spécificités : « PRÉCAUTIONS POUR ÉVITER L'EXPOSITION POSSIBLE À L'ÉNERGIE MICROONDE EXCESSIVE »
- Cet appareil peut être utilisé par des enfants de 8 ans et plus, et par des personnes ayant une incapacité physique, sensorielle ou mentale, ou manquant d'expérience ou de connaissance si elles sont supervisées ou instruites sur l'usage de l'appareil en sécurité et si elles comprennent les dangers impliqués. Les enfants ne doivent pas jouer avec l'appareil. Le nettoyage et la maintenance de l'utilisateur ne doivent pas être effectués par des enfants sans supervision.
- Gardez l'appareil et son cordon hors de portée des enfants âgés de moins de 8 ans.
- Si le cordon d'alimentation est endommagé, il devra être remplacé par le fabricant, son agent de réparation ou une personne de qualification identique afin d'éviter tout risque.
- AVERTISSEMENT : Assurez-vous que l'appareil est éteint avant de remplacer la lampe pour éviter tout risque d'électrocution.
- AVERTISSEMENT : Les travaux d'inspection ou de réparation qui impliquent la dépose d'un capot qui

protège l'exposition aux micro-ondes ne doivent être effectués que par une personne compétente.

- **AVERTISSEMENT** : Les liquides et autres aliments ne doivent pas être chauffés dans des récipients fermés car ils sont susceptibles d'exploser.
- Lorsque vous réchauffez des aliments dans des récipients en plastique ou en papier, gardez un œil, il y a risque d'inflammation.
- N'utilisez que des ustensiles adaptés aux fours à micro-ondes.
- Si de la fumée est émise, éteignez ou débranchez l'appareil et gardez la porte fermée afin d'étouffer les flammes.
- Le chauffage par micro-ondes des boissons peut entraîner une ébullition éruptive retardée, c'est pourquoi des précautions doivent être prises lors de la manipulation du récipient.
- Le contenu des biberons et des pots pour bébé doit être agité ou secoué et la température contrôlée avant consommation, afin d'éviter les brûlures.
- Les œufs dans leur coquille et les œufs durs entiers ne doivent pas être chauffés au four à micro-ondes, car ils risquent d'exploser, même à la fin de la cuisson.
- Le four devrait être nettoyé régulièrement et tout dépôt de nourriture doit être enlevé.
- Ne pas maintenir le four dans un état propre pourrait mener à la détérioration de sa surface qui pourrait compromettre la durée de vie de l'appareil et probablement engendrer des risques.
- L'appareil ne doit pas être installé derrière une porte décorative afin d'éviter une surchauffe. (Ceci ne s'applique pas aux appareils équipés d'une porte décorative.)
- Utilisez uniquement une sonde de température recommandée pour ce four. (Pour les fours équipés

d'une fonction permettant d'utiliser une sonde de détection de température).

- Le four à micro-ondes ne doit pas être placé dans une armoire à moins d'avoir été testé dans ce sens.
- Le four à micro-ondes doit être utilisé avec la porte décorative ouverte. (pour les fours avec une porte décorative.)
- Cet appareil est destiné à être utilisé dans des applications domestiques et similaires telles que :
 - espaces cuisine dans des magasins, bureaux et autres environnements de travail;
 - par des clients dans des hôtels, des motels et d'autres types d'environnements résidentiels
 - les exploitations agricoles ;
 - des environnements de type chambre d'hôte.
- Le four à micro-ondes est conçu pour chauffer des aliments et des boissons. Le séchage d'aliments ou vêtements et le chauffage des coussins chauffants, pantoufles, éponges, chiffons humides et autres peuvent entraîner des risques de blessures, d'inflammation ou d'incendie.
- Les récipients en métal utilisés pour les aliments et les boissons ne sont pas autorisés pendant la cuisson au four à micro-ondes.
- L'appareil ne doit pas être nettoyé avec un nettoyeur à vapeur.
- L'appareil est destiné à être utilisé en position autostable.
- La surface arrière des appareils doit être placée contre un mur.
- L'appareil n'est pas destiné à être utilisé au moyen d'un minuteur externe ou d'un système de contrôle à distance séparé.
- La température des surfaces accessibles peut être élevée lorsque l'appareil est allumé.

⚠ AVERTISSEMENT

Lorsque le mode combiné est utilisé, les enfants ne doivent s'approcher du four que sous la surveillance d'un adulte à cause des hautes températures.

**LISEZ ATTENTIVEMENT ET
CONSERVEZ-LES POUR RÉFÉRENCE
FUTURE. POUR USAGE DOMESTIQUE
UNIQUEMENT.
(NON DESTINÉ À UN USAGE
COMMERCIAL)**

FR

POUR RÉDUIRE LE RISQUE DE BLESSURE CORPORELLE, CONNECTER L'INSTALLATION À LA TERRE

⚠ DANGER

Danger d'électrocution :

Le fait de toucher aux composants internes peut causer de graves blessures voir la mort. Ne pas démonter cet appareil.

⚠ AVERTISSEMENT

Danger d'électrocution :

La mauvaise utilisation de la mise à la terre peut entraîner une décharge électrique.

Ne pas brancher à une prise de courant tant que l'appareil n'est pas installé correctement et mis à la terre.

Cet appareil doit être mis à la terre. En cas de court-circuit , la mise à la terre réduit le risque de décharge électrique en fournissant un fil de fuite pour le courant électrique.

Cet appareil est équipé avec un cordon ayant un conducteur de mise à la terre. La fiche doit être branchée dans une prise correctement installée et mise à la terre.

Consultez un électricien qualifié ou un réparateur si les consignes de mise à la terre ne sont pas parfaitement comprises ou si un doute plane sur la bonne mise à la terre de l'appareil.

S'il est nécessaire d'utiliser une rallonge, utilisez uniquement celle à 3 fils.

1. Nous avons prévu un cordon d'alimentation court afin de réduire les risques d'enchevêtrement ou de trébuchement sur un cordon plus long.
2. Si une grande rallonge est utilisée :
 - 1) La capacité électrique du fil ou de la rallonge doit être au moins aussi grande que la capacité de l'appareil.
 - 2) La rallonge doit être à 3 fils avec une mise à la terre.
 - 3) Le long cordon doit être disposé de manière à ce qu'il ne traîne pas sur le plan de travail ou la table, où les enfants pourraient tirer dessus ou trébucher involontairement.

Cet appareil fait partie du groupe 2 des équipements ISM de classe B. Le groupe 2 comprend tous les équipements ISM (industriels, scientifiques et médicaux) dans lesquels de l'énergie radiofréquence est intentionnellement générée et/ou utilisée sous forme de rayonnement électromagnétique pour le traitement de matériaux, ainsi que les équipements d'étincelage. Les équipements de classe B sont adaptés à une utilisation dans les établissements domestiques et ceux directement connectés à un réseau d'alimentation de basse tension.

NETTOYAGE

S'assurer de débrancher l'appareil de la prise de courant.

1. Nettoyer l'intérieur du four après l'utilisation d'un chiffon humide.
2. Nettoyer les accessoires de la façon habituelle dans l'eau savonneuse.
3. Le châssis de porte et le joint, ainsi que les parties environnantes doivent être soigneusement nettoyés avec un chiffon mouillé quand ils sont sales.

4. Ne pas utiliser de nettoyeurs abrasifs ou de grattoir métallique pour nettoyer la vitre du four, car cela peut rayer la surface ce qui peut fendre le verre.
5. Conseil de nettoyage--Pour faciliter le nettoyage des parois de la cavité avec lesquels l'aliment cuit peut entrer en contact : Placer un citron dans un bol, ajouter 300 ml d'eau et chauffer 100 % pendant 10 minutes. Essuyer le four avec un chiffon doux et sec.

USTENSILES

⚠ MISE EN GARDE

Danger de blessure corporelle :

Les travaux d'inspection ou de réparation qui impliquent la dépose d'un capot qui protège l'exposition aux micro-ondes ne doivent être effectués que par une personne compétente.

Voir les instructions dans « Matériaux pouvant être utilisés ou non dans un four à microonde ». Certains ustensiles non métalliques ne sont pas sûrs pour être utilisés pour le microonde. En cas de doute, vous pouvez tester l'ustensile en question en procédant de la façon suivante.

Test d'ustensile :

- Remplir un conteneur à microonde avec 250 ml d'eau froide et y déposer l'ustensile.
- Chauffer à puissance max. pendant 1 minute.
- Toucher doucement l'ustensile. Si l'ustensile vide est chaud, ne pas l'utiliser pour la cuisson au microonde.
- Ne pas dépasser 1 minute.

Matériaux que vous pouvez utiliser dans un four à micro-ondes

Ustensiles	Remarques
Plat à rôtir	Suivre les instructions du fabricant. Le fond du plat doit être à au moins 3/16 pouce (5 mm) du plateau. Un mauvais usage peut briser le plateau.
Vaisselle	Allant au four à micro-ondes uniquement. Suivre les instructions du fabricant. Ne pas utiliser des plats fendus ou ébréchés.
Pots en verre	Toujours retirer le couvercle. Utiliser uniquement jusqu'à ce que les aliments soient chauds. La plupart des pots en verre ne résistent pas à la chaleur et peuvent se briser.
Verrerie	Uniquement le verre résistant à la chaleur. S'assurer qu'il n'y a pas de garniture métallique. Ne pas utiliser des plats fendus ou ébréchés.
Sacs de cuisson au four	Suivre les instructions du fabricant. Ne pas fermer avec un couvercle métallique. Fendre pour permettre à la vapeur de s'échapper.
Assiettes et tasses en papier	N'utiliser que pour la cuisson ou réchauffage court. Ne pas laisser la cuisson sans surveillance.
Serviettes en papier	Utiliser pour couvrir les aliments à réchauffer et absorber le gras. Utiliser sous surveillance pour une cuisson de courte durée uniquement.
Papier parchemin	Utiliser comme couvercle pour éviter les éclaboussures ou envelopper pour cuire à la vapeur.
FR Plastique	Allant au four à micro-ondes uniquement. Suivre les instructions du fabricant. Doit être estampillé « Sûr pour le microonde ». Certains conteneurs en plastique s'amollissent quand les aliments deviennent chauds. Les sacs à bouillir et les sacs en plastique fermés doivent être fendus, percés ou ventilés comme indiqué sur l'emballage.
Enveloppe en plastique	Allant au four à micro-ondes uniquement. Utiliser pour couvrir les aliments pendant la cuisson pour retenir l'humidité. Il ne faut pas laisser l'emballage plastique toucher les aliments.
Thermomètres	Sûr pour le microonde uniquement (thermomètres à viande ou gâteau).
Papier ciré	Utiliser comme couvercle pour éviter les éclaboussures ou retenir l'humidité.

Matériaux à éviter dans le four à micro-ondes

Ustensiles	Remarques
Plateau en aluminium	Peut provoquer un arc. Transférez les aliments dans un plat compatible avec le four à micro-ondes.
Carton alimentaire avec poignée métallique	Peut provoquer un arc. Transférez les aliments dans un plat compatible avec le four à micro-ondes.
Ustensiles en métal ou garnis de métal	Le métal bloque les microondes sur les aliments. Les garnitures métalliques provoquent les arcs.
Lien métalliques	Peuvent provoquer un arc et entraîner un incendie dans le four.
Sacs en papier	Peuvent prendre feu dans le four.
Mousse en plastique	La mousse en plastique peut fondre ou contaminer le liquide contenu en l'exposant à de hautes températures.
Bois	Le bois sèche quand il est utilisé dans le microonde et peut se fendre ou craquer.

CARACTÉRISTIQUES

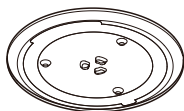
Modèle	MAG25XF
Tension nominale/Fréquence	230-240 V- 50 Hz
Puissance nominale d'entrée du micro-ondes	1250 W
Puissance nominale de sortie du micro-ondes	800 W
Puissance nominale d'entrée du micro-ondes (Gril)	1 000 W

APERÇU DU PRODUIT

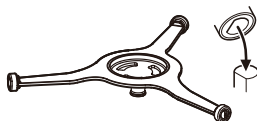
Noms des pièces et accessoires du four

En cas de différences entre l'appareil et les images dans ce manuel, l'appareil prévaut.

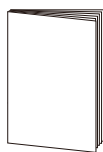
Retirez le four, ainsi que tous les matériaux du carton et de la cavité du four.
Votre four est livré avec les accessoires suivants :



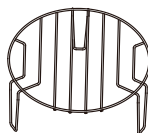
Plateau en verre



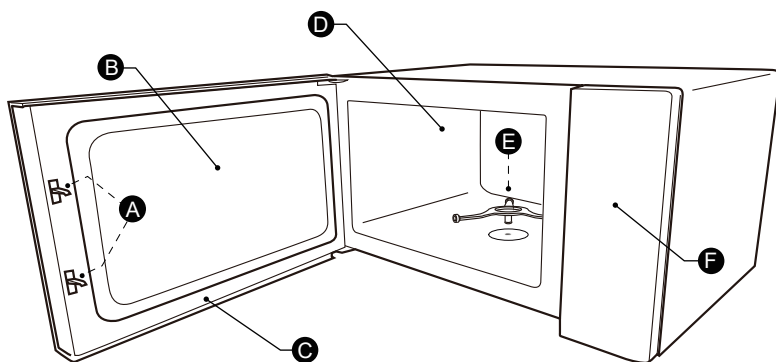
Assemblage De L'Anneau
Du Plateau Tournant



Manuel d'utilisation



Étagère de Gril (ne peut pas
être utilisée avec la fonction
micro-ondes et doit être
placée sur le plateau en verre)



A) Système de verrouillage de
sécurité

B) Fenêtre d'observation

C) Assemblage de la porte

D) Cavité du four

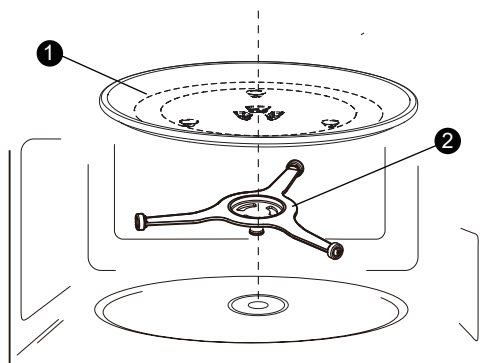
E) Assemblage de l'anneau du
plateau tournant

F) Panneau de commande

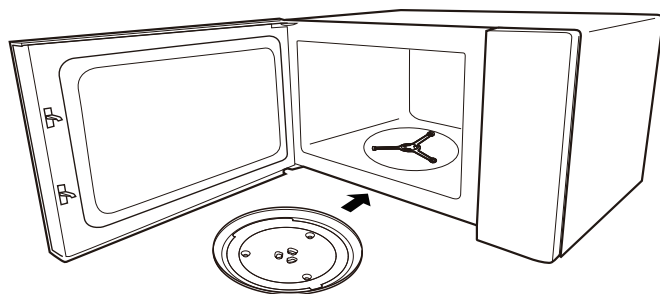
APERÇU DU PRODUIT

Noms des pièces et accessoires du four

Nettoyage du compartiment de cuisson et mise en place du plateau tournant. Pour les nouvelles installations, s'assurer que tous les éléments et rubans emballage ont été retirés. Avant d'utiliser l'appareil pour préparer des aliments et à la première utilisation, mettre correctement en place le plateau tournant. Nettoyer le compartiment de cuisson et les accessoires.



- 1) Plateau en verre
- 2) Ensemble anneau du plateau tournant



REMARQUES

1. Ne jamais utiliser l'appareil sans le plateau tournant. S'assurer qu'il est correctement en place. Le plateau tourne dans le sens horaire ou antihoraire.
2. Ne jamais mettre le plateau en verre à l'envers. Le plateau en verre ne doit jamais être coincé.
3. Le plateau en verre et l'anneau du plateau tournant doivent toujours être utilisés pendant la cuisson.
4. Tous les aliments et conteneurs sont toujours placés sur le plateau en verre pour la cuisson.
5. Ne pas coincer le mouvement du plateau tournant.
6. Si le plateau en verre ou l'anneau du plateau tournant se fend ou casse, contacter le centre de service le plus proche.

INSTALLATION DU PRODUIT

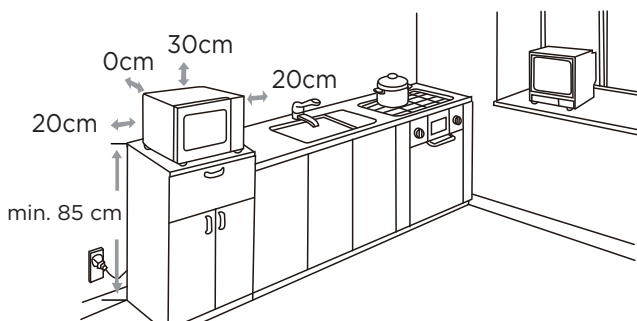
Installation sur comptoir

Retirer tout le matériel d'emballage et les accessoires. Examinez le four pour vérifier qu'il n'est pas endommagé, notamment que la porte n'est pas bosselée ou cassée. N'installez pas le four s'il est endommagé.

Armoire : Retirez tout film protecteur se trouvant sur la surface de l'armoire du four à micro-ondes. Ne retirez pas le couvercle du guide d'ondes qui est fixé à la cavité du four pour protéger le magnétron.

INSTALLATION

1. Sélectionner une surface de niveau ayant assez d'espace pour les événements d'entrée ou de sortie.
- La hauteur minimale d'installation est de 85 cm.
 - La surface arrière des appareils doit être placée contre un mur. Laissez un espace minimal d'environ 30 cm au-dessus du four. Un espace minimal de 20 cm est requis entre le four et tout mur adjacent.
 - Ne retirez pas les pieds situés au bas du four.
 - Le blocage des ouvertures d'entrée ou de sortie peut endommager le four.
 - Placez le four aussi loin que possible des postes radio et télé. Les opérations du four à micro-ondes peuvent interférer avec la réception de radio ou télé.



2. Branchez le four dans une prise de courant standard.
S'assurer que la tension et la fréquence sont les mêmes que celles sur la plaque signalétique.

▲ AVERTISSEMENT

N'installez pas le four au-dessus d'une plaque de cuisson ou d'un autre appareil produisant de la chaleur. S'il est installé à proximité ou au-dessus d'une source de chaleur, le four pourrait être endommagé et la garantie annulée.



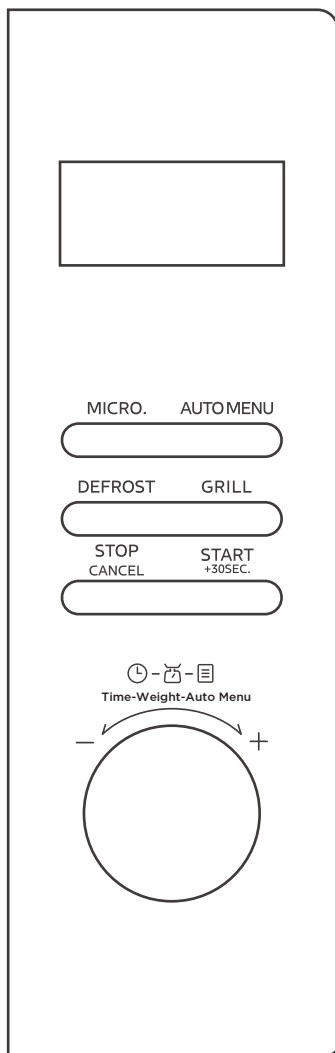
La surface accessible peut être chaude pendant les opérations.

FR

UTILISATION

Panneau de commande

FR



UTILISATION

1. Cuisson au micro-ondes

Après avoir branché le four sur le secteur, « 0:00 » s'affiche à l'écran. L'avertisseur sonore retentit.

5 niveaux de puissance sont disponibles.

Puissance	100%	80%	50%	30%	10%
Affichage	P100	P80	P50	P30	P10

- (1) Appuyez une fois sur « MICRO. » puis « P100 » s'affichera.
- (2) Appuyez à plusieurs reprises sur « MICRO. » ou tournez le bouton pour régler le niveau de puissance.
Les 5 niveaux de puissance sont disponibles.
- (3) Appuyez sur « **START**
+30SEC. » pour confirmer.
- (4) Tournez le bouton pour régler le temps de cuisson. La durée maximale est « 95:00 ».
- (5) Appuyez sur « **START**
+30SEC. » pour démarrer la cuisson.

FR

Remarques

- (1) Le fait d'ouvrir la porte du four ou d'appuyer sur « **STOP**
CANCEL » pendant le fonctionnement interrompt le mode en cours.
- (2) Les incréments d'ajustement de la durée sont les suivants :
0---1 min : 5 secondes
1---5 min : 10 secondes
5---10 min : 30 secondes
10---30 min : 1 minute
30---95 min : 5 minutes

2. Cuisson au grill

- (1) Appuyez une fois sur « GRILL », « G-1 » apparaîtra.
- (2) Appuyez sur « **START**
+30SEC. » pour confirmer.
- (3) Tournez le bouton pour régler le temps de cuisson. La durée maximale est « 95:00 ».
- (4) Appuyez sur « **START**
+30SEC. » pour démarrer la cuisson.

Remarque

L'avertisseur sonore retentira pour vous rappeler de retourner les aliments pendant la cuisson au grill.

UTILISATION

S'il n'y a pas d'opération, le four continue de fonctionner.

3. Décongélation en poids

- (1) Appuyez une fois sur « DEFROST » et l'écran affichera « dEF1 ».
- (2) Tournez le bouton pour choisir le poids des aliments. Le poids doit être entre 100 et 2 000 g.
- (3) Appuyez sur « **START**
+30SEC. » pour démarrer la décongélation.

Remarque

L'avertisseur sonore retentira pour vous rappeler de retourner les aliments pendant la décongélation. S'il n'y a pas d'opération, le four continue de fonctionner.

4. Décongélation en durée

FR

- (1) Appuyez deux fois sur « DEFROST » et l'écran affichera « dEF2 ».
- (2) Tournez le bouton pour régler le temps de décongélation. La durée maximale est « 95:00 ».
- (3) Appuyez sur « **START**
+30SEC. » pour démarrer la décongélation.

Remarques

- (1) L'avertisseur sonore retentira pour vous rappeler de retourner les aliments pendant la décongélation. S'il n'y a pas d'opération, le four continue de fonctionner.
- (2) La puissance de décongélation est de P30, et ne peut être modifiée.

5. Cuisson rapide

- (1) En mode veille, tournez le bouton vers la gauche pour régler un temps de cuisson à une puissance de 100 %.
Continuez à tourner le bouton pour régler le temps de cuisson. Appuyez sur « **START**
+30SEC. » pour démarrer la cuisson. La durée maximale est « 95:00 ».
- (2) En mode veille, appuyez sur « **START**
+30SEC. » pour cuire les aliments à un niveau de puissance de 100 % pendant 30 secondes. Chaque pression sur la même touche augmente le temps de 30 secondes dont le maximum est de « 95 :00 ».

Remarque

En modes cuisson et décongélation par le temps, chaque pression supplémentaire sur **START**
+30SEC.
peut augmenter le temps de cuisson de 30 secondes (à l'exception de la décongélation par le poids, du menu automatique et de la première étape de la cuisson en plusieurs étapes).

UTILISATION

6. Cuisson combinée

- (1) Appuyez une fois sur « GRILL », « G-1 » apparaîtra.
- (2) Appuyez sur « GRILL » à plusieurs reprises ou tournez le bouton, puis « C-1 », « C-2 » s'affichera.
- (3) Appuyez sur « **START**
+30SEC. » pour confirmer.
- (4) Tournez le bouton pour régler le temps de cuisson. La durée maximale est « 95:00 ».
- (5) Appuyez sur « **START**
+30SEC. » pour démarrer la cuisson.

Graphique de la cuisson combinée

Fonction	Affichage	Puissance du microonde	Puissance du gril
Combi. 1	C-1	55 %	45 %
Combi. 2	C-2	36 %	64 %

FR

7. Cuisson en plusieurs étapes

Exemple : Décongelez les aliments pendant 5 minutes, puis faites-les cuire à 80 % de puissance du micro-ondes pendant 7 minutes.

- (1) Appuyez deux fois sur « DEFROST » et l'écran affichera « dEF2 ».
- (2) Tournez le bouton pour régler le temps de décongélation souhaité à 5 minutes.
- (3) Appuyez une fois sur « MICRO. » puis « P100 » s'affichera.
- (4) Appuyez à nouveau sur « MICRO. » ou tournez le bouton pour régler le niveau de puissance sur P80.
- (5) Appuyez sur « **START**
+30SEC. » pour confirmer la puissance du four à micro-ondes.
- (6) Tournez le bouton pour choisir le temps de cuisson de 7 minutes.
- (7) Appuyez sur « **START**
+30SEC. » pour démarrer la cuisson.

Remarques

- (1) La cuisson à deux étapes peut être réglée dans la cuisson à plusieurs étapes.
- (2) Si vous réglez la fonction de décongélation, elle fonctionnera automatiquement au cours de la première étape.
- (3) Le minuteur de cuisine, le menu automatique ne peuvent pas être réglés comme l'une des étapes multiples.

UTILISATION

8. Menu Auto

- (1) Appuyez une fois sur « AUTO MENU » ou tournez le bouton vers la droite, « A-01 » s'affichera.
- (2) Appuyez plusieurs fois sur « AUTO MENU » ou tournez le bouton pour choisir le menu souhaité.
Les 9 menus auto sont disponibles.
- (3) Appuyez sur « **START**
+30SEC. » pour confirmer.
- (4) Tournez le bouton pour choisir le poids des aliments.
- (5) Appuyez sur « **START**
+30SEC. » pour démarrer la cuisson.

Tableau de menu Auto

Menu	Poids	Affichage	Puissance	
A-01 Réchauffage automatique	200 g	200	P100	
	400 g	400		
A-02 Viande	250 g	250		
	350 g	350		
	450 g	450		
A-03 Légumes frais	200 g	200		
	300 g	300		
	400 g	400		
A-04 Pâtes	50 g	50		P80
	100 g	100		
A-05 Potato	1 (230 g)	1		P100
	2 (460g)	2		
	3 (690g)	3		
A-06 Poisson	250 g	250	P80	
	350 g	350		
	450 g	450		

FR

UTILISATION

Menu	Poids	Affichage	Puissance
A-07 Boisson	1 tasse (120 ml)	1	P100
	2 tasses (240 ml)	2	
	3 tasses (360 ml)	3	
A-08 Popcorn	50 g	50	P50
	100 g	100	
A-09 Pain	50 g	50	P50
	100 g	100	
	150 g	150	
	200 g	200	
	250 g	250	P100+P80+P50
	350 g	350	
	500 g	500	
	700 g	700	

FR

9. Fonction de verrouillage pour les enfants

Cette fonction peut être utilisée pour empêcher les enfants d'allumer accidentellement le four.

Pour activer le verrouillage :

En mode veille, appuyez sur « **STOP**
CANCEL » et maintenez-le enfoncé pendant trois secondes.

Un long bipretentit et « [] » s'affichera.

Pour désactiver le verrouillage :

En mode verrouillage, appuyez sur « **STOP**
CANCEL » et maintenez-le enfoncé pendant trois secondes. Un long bip est émis.

10. Fonction d'information

- (1) En mode cuisson au micro-ondes, appuyez sur « MICRO. » pour vous renseigner sur le niveau de puissance. Il s'affichera pendant trois secondes.
- (6) En modes cuisson au gril et combinée, appuyez sur « GRILL » pour vous renseigner sur le mode de cuisson. Il s'affichera pendant trois secondes.

DÉPANNAGE


Normal

Four à micro-ondes interférant avec la réception de télévision	Le fonctionnement du four à micro-ondes peut interférer avec la réception de la radio ou de la télévision. C'est similaire à l'interférence d'un petit appareil électrique, comme un mixeur, aspirateur et ventilateur. C'est normal.
Éclairage de four progressif	En cuisson faible au micro-ondes, l'éclairage de four peut baisser. C'est normal.
Accumulation de vapeur sur la porte, et air chaud aux événements	Pendant la cuisson, de la vapeur peut sortir des aliments. Le plus gros sortira par les événements. Mais un peu de vapeur peut s'accumuler dans les endroits plus frais comme la porte. C'est normal.
Démarrage accidentel du four sans aliment dedans.	Il ne faut pas faire fonctionner l'unité sans aliment dedans. C'est très dangereux.

FR

Problème	Cause possible	Remède
Impossible de démarrer le four.	(1) Le cordon d'alimentation n'est pas bien branché.	Débrancher. Rebrancher après 10 secondes.
	(2) Fusible grillé ou disjoncteur armé.	Remplacer le fusible ou réarmer le disjoncteur (réparer par du personnel professionnel de notre entreprise)
	(3) Problème avec la prise.	Tester la prise de courant avec un autre appareil électrique.
Le four ne chauffe pas.	(4) La porte n'est pas bien fermée.	Bien fermer la porte.

MARQUES COMMERCIALES, DROITS D'AUTEUR ET MENTIONS LÉGALES

Le logo , les marques verbales, le nom commercial, la présentation et toutes les versions de ces éléments sont des propriétés précieuses de Midea Group ou de ses sociétés affiliées (« Midea »), auxquelles sont rattachés des marques, des droits d'auteur et d'autres droits de propriété intellectuelle, ainsi que toute bonne volonté résultant de l'utilisation d'une partie quelconque de la marque Midea. L'utilisation de la marque Midea à des fins commerciales sans le consentement écrit préalable de Midea peut constituer une violation de la marque ou une concurrence déloyale en violation des lois pertinentes.

Ce manuel est créé par Midea et Midea en réserve tous les droits d'auteur. Aucune entité ou personne ne peut utiliser, dupliquer, modifier, distribuer en totalité ou en partie ce manuel, ni le regrouper ou le vendre avec d'autres produits sans le consentement écrit préalable de Midea.

FR

Toutes les fonctions et instructions décrites étaient à jour au moment de l'impression de ce manuel. Toutefois, le produit réel peut varier en raison de fonctions et de conceptions améliorées.

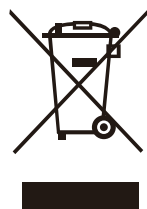
ÉLIMINATION ET RECYCLAGE

Instructions importantes relatives à l'environnement

Conformité avec la directive DEEE et élimination du produit usagé :

Ce produit est conforme à la directive DEEE de l'UE (2012/19/EU). Ce produit porte un symbole de classification pour les déchets d'équipements électriques et électroniques (DEEE).

Ce symbole indique que ce produit ne doit pas être mis au rebut avec d'autres déchets ménagers à la fin de sa durée de vie. L'appareil, une fois utilisé, doit être soumis à un point de collecte officiel dédié au recyclage des appareils électriques et électroniques. Pour trouver ces systèmes de collecte, veuillez contacter les autorités locales ou le distributeur chez qui le produit a été acheté. Chaque ménage joue un rôle important dans la récupération et le recyclage des anciens appareils. La mise au rebut appropriée des appareils usagés aide à prévenir les conséquences négatives potentielles pour l'environnement et la santé humaine.



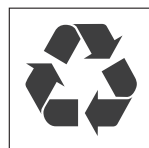
FR

Conformité à la directive RoHS

Le produit que vous avez acheté est conforme à la directive RoHS de l'UE (2011/65/EU). Il ne contient pas de matériaux dangereux ou interdits spécifiés dans la directive.

Informations sur l'emballage

Les matériaux d'emballage du produit sont fabriqués à partir de matériaux recyclables conformément à nos réglementations nationales sur l'environnement. Ne jetez pas les matériaux d'emballage avec les déchets ménagers ou autres. Il faut les amener aux points de collecte des matériaux d'emballage désignés par les autorités locales.



FR



FR

L'appareil, ses accessoires et son cordon d'alimentation sont recyclables

REPRISE
À LA LIVRAISON



À DÉPOSER
EN MAGASIN



À DÉPOSER
EN DÉCHÈTERIE



Points de collecte sur www.quefairedemesdechets.fr
Privilégiez la réparation ou le don de votre appareil !

AVIS DE PROTECTION DES DONNÉES

Pour la fourniture des services convenus avec le client, Nous nous engageons à respecter sans restriction toutes les dispositions de la loi applicable en matière de protection des données, conformément aux pays dans lesquels les services au client seront fournis, ainsi que, le cas échéant, le Règlement général sur la protection des données de l'UE (RGPD).

De manière générale, nous traitons les données dans le but de remplir notre obligation contractuelle avec vous et pour des raisons de sécurité des produits, pour sauvegarder vos droits en rapport avec les questions de garantie et d'enregistrement des produits. Dans certains cas, mais uniquement si une protection appropriée des données est assurée, les données personnelles peuvent être transférées à des destinataires situés en dehors de l'Espace économique européen.

FR

De plus amples informations sont fournies sur demande. Vous pouvez contacter notre délégué à la protection des données à l'adresse suivante **MideaDPO@midea.com**. Pour exercer vos droits, notamment celui de vous opposer à ce que vos données personnelles soient traitées à des fins de marketing direct, veuillez nous contacter via **MideaDPO@midea.com**. Pour plus d'informations, il faut suivre le QR Code.

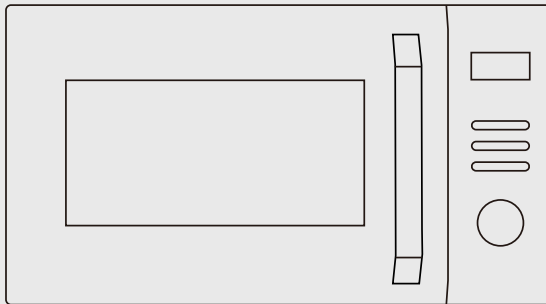


make yourself at home



www.midea.com

© Midea 2024 tous droits réservés



FORNO A MICROONDE

MANUALE UTENTE

MAG25XF

Note di avvertenza: Prima di usare il prodotto, leggere attentamente il presente manuale e conservarlo per future consultazioni. Il design e le specifiche sono soggette a modifiche senza preavviso per apportare miglioramenti al prodotto.

Consultare il proprio rivenditore o il produttore per maggiori dettagli.

Il diagramma in alto è solamente a scopo di riferimento. Considerare l'aspetto del prodotto reale come standard.

LETTERA DI RINGRAZIAMENTO

Grazie per aver scelto Midea! Prima di utilizzare il nuovo prodotto Midea, leggere attentamente questo manuale per imparare a utilizzarne in modo sicuro le funzioni e le caratteristiche offerte.

INDICE

LETTERA DI RINGRAZIAMENTO	02
ISTRUZIONI DI SICUREZZA	03
SPECIFICHE	13
PANORAMICA DEL PRODOTTO	14
INSTALLAZIONE DEL PRODOTTO	16
FUNZIONAMENTO	18
RISOLUZIONE DEI PROBLEMI	24
MARCHI COMMERCIALI, DIRITTI D'AUTORE E DICHIARAZIONE LEGALE	25
SMALTIMENTO E RICICLAGGIO	26
INFORMATIVA SULLA PROTEZIONE DEI DATI	27

ISTRUZIONI DI SICUREZZA

Uso previsto

Le seguenti istruzioni di sicurezza sono pensate per prevenire rischi o danni imprevisti derivanti da un utilizzo non sicuro o errato dell'apparecchio. Alla consegna, verificare l'imballaggio e l'apparecchio per accertarsi che non siano presenti danni, in modo da garantire un funzionamento sicuro. In presenza di danni, contattare il rivenditore o il fornitore. Per tutelare la sicurezza degli utenti, non sono consentite modifiche o alterazioni dell'apparecchio. Ogni utilizzo improprio dell'apparecchio può causare pericoli e invalidare la garanzia.

Spiegazione dei simboli



Pericolo

Questo simbolo indica la presenza di pericoli per la vita e la salute delle persone causati da gas estremamente infiammabili.



Avvertimento sulla tensione elettrica

Questo simbolo indica la presenza di pericoli per la vita e la salute delle persone causati dalla tensione elettrica.



Avvertenza

La parola di segnalazione indica un pericolo con un livello di rischio medio che, se non evitato, può causare morte o gravi lesioni.



Cautela

La parola di segnalazione indica un pericolo con un livello di rischio basso che, se non evitato, può provocare lesioni lievi o moderate.



Attenzione

La parola di segnalazione indica informazioni importanti (ad es. danni materiali), ma non pericolo.



Seguire le istruzioni

Questo simbolo indica le attività e le operazioni di manutenzione di questo apparecchio che devono essere effettuate solo da un tecnico dell'assistenza nel rispetto delle istruzioni per l'uso.

Prima di utilizzare/mettere in funzione l'apparecchio, leggere attentamente le presenti istruzioni di funzionamento e conservarle nelle immediate vicinanze del luogo di installazione o dell'unità per un successivo utilizzo!

PRECAUZIONI PER EVITARE POSSIBILI SOVRAESPOSIZIONI ALLE EMISSIONI DI MICROONDE

- a. Non tentare di mettere in funzione questo forno con lo sportello aperto, poichè il funzionamento con lo sportello aperto può provocare dannose esposizioni alle microonde.
È importante non disattivare o manomettere le serrature di sicurezza.
- b. Non posizionare oggetti tra la parte anteriore del forno e la porta ed evitare l'accumulo di residui e polvere sulle superfici delle guarnizioni.
- c. Non mettere in funzione il forno se è danneggiato. È particolarmente importante che lo sportello del forno si chiuda correttamente e che non vi siano danni a:
- SPORTELLLO (piegato)
 - CERNIERE E CHIUSURE (rotte o allentate)
 - GUARNIZIONI PER SPORTELLI E SUPERFICI DI TENUTA
- d. Il forno non deve essere regolato o riparato da nessuno se non da personale di assistenza adeguatamente qualificato.

APPENDICE

Se non si garantisce un'adeguata pulizia dell'apparecchio, la sua superficie si potrebbe danneggiare, compromettendone la durata e causando potenziali rischi.

IMPORTANTI ISTRUZIONI DI SICUREZZA

Per ridurre il rischio di incendi, scosse elettriche, lesioni alle persone o esposizione a un'eccessiva energia del forno a microonde durante l'utilizzo dell'apparecchio, seguire le precauzioni di base, comprese le seguenti:

▲ AVVERTENZA

- Leggere e seguire le specifiche: “PRECAUZIONI PER EVITARE POSSIBILI SOVRAESPOSIZIONI ALLE EMISSIONI DI MICROONDE”.
- Il presente elettrodomestico può essere utilizzato da bambini di età non inferiore a 8 anni e da persone affette da menomazioni fisiche, sensoriali e mentali o prive di conoscenza dell'apparecchiatura, sotto il controllo di apposito personale o dopo essere stati istruiti sull'uso sicuro del dispositivo e sui pericoli che questo implica. Assicurarsi che i bambini non giochino con l'apparecchio. La pulizia e la manutenzione da parte dell'utente non devono essere eseguite da bambini se non sono sorvegliati.
- Tenere l'apparecchio e il relativo cavo fuori dalla portata dei bambini di età inferiore a 8 anni.
- Se il cavo di alimentazione è danneggiato, deve essere sostituito dal produttore, da suo agente di assistenza o da personale qualificato per evitare rischi.
- **AVVERTENZA:** Assicurarsi che l'apparecchio sia spento prima di sostituire la lampada per evitare la possibilità di scosse elettriche.
- **AVVERTENZA:** Affidarsi esclusivamente a personale competente per effettuare operazioni di riparazione e manutenzione, che richiedono la rimozione delle

coperture di protezione contro l'esposizione alle microonde.

- **AVVERTENZA:** Liquidi e altri alimenti non devono essere riscaldati in contenitori sigillati poiché potrebbero esplodere.
- Quando si riscaldano cibi in contenitori di plastica o carta, tenere d'occhio il forno per evitare incendi.
- Utilizzare solo utensili adatti per l'uso nei forni a microonde.
- In caso di emissione di fumo spegnere o scollegare l'apparecchio e tenere chiusa la porta per soffocare eventuali fiamme.
- Il riscaldamento a microonde delle bevande può provocare un'ebollizione ritardata, pertanto è necessario prestare attenzione quando si maneggia il contenitore.
- Il contenuto di biberon e vasetti di alimenti per neonati deve essere mescolato o agitato e la temperatura controllata prima del consumo, al fine di evitare ustioni.
- Le uova con il guscio e le uova sode intere non devono essere riscaldate nei forni a microonde poiché potrebbero esplodere, anche dopo che il riscaldamento a microonde è terminato.
- Il forno deve essere pulito regolarmente e tutti i depositi di cibo devono essere rimossi.
- La mancata manutenzione del forno in condizioni di pulizia potrebbe portare al deterioramento della superficie che potrebbe influire negativamente sulla vita dell'apparecchio e provocare una situazione di pericolo.
- L'apparecchio non deve essere installato dietro uno sportello decorativo, per evitare il surriscaldamento. (Questo non è applicabile agli apparecchi con sportello decorativo.)

- Utilizzare esclusivamente la sonda di temperatura raccomandata per questo forno. (per forni dotati di sonda di rilevamento della temperatura).
- Il forno a microonde non deve essere collocato in un armadio a meno che non sia stato testato in un armadio.
- Il forno a microonde deve essere utilizzato con lo sportello decorativo aperto. (per forni con porta decorativa.)
- Questo dispositivo è pensato per uso domestico e per applicazioni simili, come ad esempio:
 - nelle aree cucina dei negozi, degli uffici e altri ambienti di lavoro,
 - dai clienti di hotel, motel e altri edifici residenziali,
 - case coloniche,
 - ambienti tipo bed and breakfast.
- Il forno a microonde è destinato al riscaldamento di cibi e bevande. L'asciugatura di alimenti o indumenti e il riscaldamento di tamponi riscaldanti, pantofole, spugne, panni umidi e simili possono comportare il rischio di lesioni, accensione o incendio.
- I contenitori metallici per cibi e bevande non sono ammessi durante la cottura a microonde.
- L'apparecchio non deve essere pulito con un pulitore a vapore.
- L'apparecchio è concepito per essere utilizzato in posizione indipendente.
- La superficie posteriore degli apparecchi deve essere appoggiata a una parete.
- L'apparecchio non è progettato per funzionare con un timer esterno o con un altro sistema di controllo a distanza separato.
- Quando l'apparecchio è in funzione, la temperatura delle superfici accessibili può essere molto alta.

⚠ AVVERTENZA

Quando l'apparecchio funziona in modalità combinata, i bambini devono utilizzare il forno solo sotto la supervisione di un adulto a causa delle temperature generate.

**LEGGERE ATTENTAMENTE E
CONSERVARE PER RIFERIMENTI
FUTURI SOLO PER USI DOMESTICI
(NON PER USO COMMERCIALE)**

GARANTIRE UN'ADEGUATA MESSA A TERRA DELL'IMPIANTO PER EVITARE IL RISCHIO DI LESIONI PERSONALI

⚠ PERICOLO

Pericolo di Scossa Elettrica:

Toccando i componenti interni, ci si espone al rischio di gravi lesioni personali anche mortali. Non smontare l'elettrodomestico.

⚠ AVVERTENZA

Pericolo di Scossa Elettrica:

Un uso improprio della messa a terra può causare il rischio di scosse elettriche.

Non collegare l'elettrodomestico a una presa senza averlo correttamente installato e dotato di messa a terra. Questo elettrodomestico deve essere dotato di messa a terra. In caso di corto circuito elettrico, la messa a terra riduce il rischio di scosse elettriche, grazie alla presenza di un cavo di uscita per la corrente.

Questo elettrodomestico è dotato di cavo con filo e spina di messa a terra. La spina deve essere collegata a una presa correttamente installata e dotata di messa a terra.

In caso di dubbi sulla corretta messa a terra dell'impianto o sulle relative istruzioni, consultare un esperto elettricista o altro personale qualificato.

Se occorre utilizzare una prolunga, servirsi solo di cavi a tre fili.

1. Il cavo di alimentazione in dotazione è corto per ridurre i rischi che il filo possa impigliarsi o essere inavvertitamente scollegato.

2. In caso di utilizzo di un filo più lungo o di un cavo di prolunga:
 - 1) La corrente elettrica nominale del cavo o della prolunga in uso deve essere almeno pari a quella nominale dell'elettrodomestico.
 - 2) La prolunga deve essere un cavo a 3 fili con messa a terra.
 - 3) Il cavo più lungo dovrà essere sistemato in modo da non ricadere sul piano di lavoro o sulla superficie del tavolo, dove potrebbe essere staccato da bambini o comunque scollegato involontariamente.

Questo apparecchio è un'apparecchiatura ISM di Classe B del Gruppo 2. Il gruppo 2 contiene tutte le apparecchiature ISM(industriali, scientifiche e mediche) in cui l'energia a radiofrequenza viene intenzionalmente

IT

generata e/o utilizzata sotto forma di radiazioni elettromagnetiche per il trattamento di materiali e apparecchiature per l'erosione delle scintille.

L'apparecchiatura di classe B è adatta per l'uso in stabilimenti domestici e stabilimenti direttamente collegati a una rete di alimentazione a bassa tensione.

PULIZIA

Assicurarsi di scollegare l'elettrodomestico dall'alimentazione elettrica.

1. Dopo l'uso, pulire la cavità del forno con un panno leggermente inumidito.
2. Pulire gli accessori come al solito con acqua e sapone.
3. Il telaio e la guarnizione della porta, nonché le parti nelle loro vicinanze, devono essere puliti accuratamente con un panno umido se si sporcano.

4. Non usare detergenti abrasivi o oggetti metallici appuntiti per pulire la parte in vetro della porta del forno per evitare di graffiarne la superficie e frantumare il vetro.
5. Suggestimenti di Pulizia --- Per pulire al meglio le pareti della cavità che possono venire a contatto con i cibi cotti: Sistemare mezzo limone in una scodella, aggiungendovi 300 ml di acqua, e attivare il microonde al 100% della potenza per 10 minuti. Pulire il forno usando un panno morbido, asciutto e pulito.

UTENSILI

CAUTELA

Rischio di Lesioni Personali:

Affidarsi esclusivamente a personale competente per effettuare operazioni di riparazione e manutenzione, che richiedono la rimozione delle coperture di protezione contro l'esposizione alle microonde.

Consultare le istruzioni nella sezione "Materiali da usare e materiali da evitare in un forno a microonde." Ci sono alcuni utensili non metallici che non possono essere usati con le microonde. In caso di dubbi, è possibile applicare la procedura seguente per testare l'utensile in questione.

Test di utensili:

- Riempire un contenitore utilizzabile nel microonde con una tazza d'acqua fredda (250 ml), dopo avervi inserito l'utensile in questione.
- Attivare la cottura alla massima potenza per 1 minuto.
- Quindi controllare con prudenza l'utensile. Se l'utensile vuoto è caldo, non usarlo per la cottura nel microonde.
- La prova di cottura non deve durare più di un minuto.

Materiali utilizzabili nel forno a microonde

Utensili	Note
Piatto crisp	Seguire le istruzioni del produttore. Il fondo del piatto crisp deve trovarsi almeno 5 mm sopra la piattaforma girevole. Un uso scorretto può causare la rottura della piattaforma girevole.
Stoviglie	Adatto solo alle microonde. Seguire le istruzioni del produttore. Non usare piatti spaccati o scheggiati.
Contenitori in vetro	Rimuovere sempre il coperchio. Usare solo per intiepidire le vivande. La maggior parte dei contenitori di vetro non resistono al calore e potrebbero rompersi.
Stoviglie in vetro	Usare solo stoviglie in vetro resistenti al calore. Assicurarsi che non contengano rivestimenti metallici. Non usare piatti spaccati o scheggiati.
Sacchetti per cottura in forno	Seguire le istruzioni del produttore. Non chiudere con legacci metallici. Praticare delle fessure per consentire l'uscita del vapore.
Piatti e bicchieri di carta	Usare solo per cuocere o riscaldare vivande per brevi durate. Non lasciare incustodito il forno durante la cottura.
Panno di carta	Usare per coprire le vivande che vengono riscaldate o per assorbirne il grasso. Usare solo per cotture di breve durata tenute sotto controllo.
Carta da forno	Usare come copertura per evitare schizzi e fuoriuscite di vapore.
Plastica	Adatto solo alle microonde. Seguire le istruzioni del produttore. Deve contenere l'etichetta "Adatto alle microonde". Alcuni contenitori in plastica si ammorbiscono quando le vivande in essi contenuti si riscaldano. I "sacchetti da bollitura" e i sacchetti di plastica a chiusura ermetica devono essere forati per garantirne la ventilazione, come indicato sull'etichetta della confezione.
Avvolgimento in plastica	Adatto solo alle microonde. Usare per la copertura delle vivande durante la cottura per conservarne l'umidità. Evitare che l'avvolgimento in plastica venga a contatto con le vivande.
Termometri da forno	Adatto solo alle microonde (termometri da forno per carne e dolci).
Carta oleata	Usare come copertura per evitare schizzi e conservare l'umidità.

Materiali da non utilizzare nel forno a microonde

Utensili	Note
Vassoi in alluminio	Può causare la formazione di archi elettrici. Spostare le vivande in piatti adatti all'uso nel microonde.
Contenitori di carta per alimenti con maniglie metalliche	Può causare la formazione di archi elettrici. Spostare le vivande in piatti adatti all'uso nel microonde.
Utensili in metallo o con finiture metalliche	I metalli impediscono l'esposizione delle vivande all'emissione delle microonde. I rivestimenti metallici possono causare la formazione di archi elettrici.
Legacci in filo metallico	Possono causare la formazione di archi elettrici e incendi nel forno.
Sacchetti di carta	Possono causare incendi nel forno.
Schiuma plastica	La schiuma plastica può sciogliersi o contaminare i liquidi interni se esposta ad alte temperature.
Legno	Il legno si essicca se utilizzato nel microonde, dividendosi o spaccandosi.

SPECIFICHE

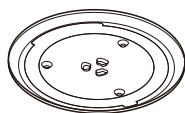
Modello	MAG25XF
Tensione Nominale/Frequenza :	230-240 V- 50 Hz
Ingresso nominale per microonde	1250 W
Uscita nominale per microonde	800 W
Ingresso nominale per microonde (Grill)	1000 W

PANORAMICA DEL PRODOTTO

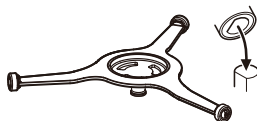
Nomi di componenti e accessori del forno

In caso di divergenze tra l'apparecchio e le immagini nel presente manuale, farà fede il prodotto effettivo.

Rimuovere il forno e tutti i materiali dalla confezione di cartone e dalla cavità del forno. Il forno è dotato dei seguenti accessori:



Vassoio di vetro



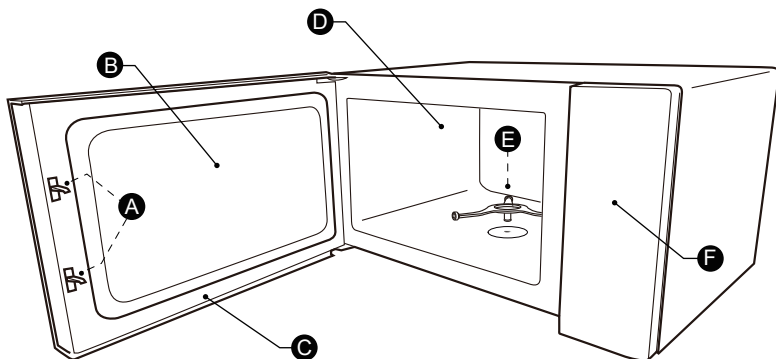
Complesso piattaforma girevole



Manuale di istruzioni



Cestello per grigliare (Non può essere utilizzato con la funzione microonde e va collocato sul vassoio di vetro)



A) Sistema di interblocco di sicurezza

B) Finestra di osservazione

C) Complesso dello sportello

D) Cavità del forno

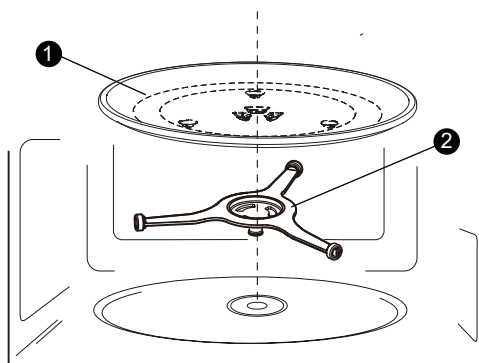
E) Complesso piattaforma girevole

F) Pannello di controllo

PANORAMICA DEL PRODOTTO

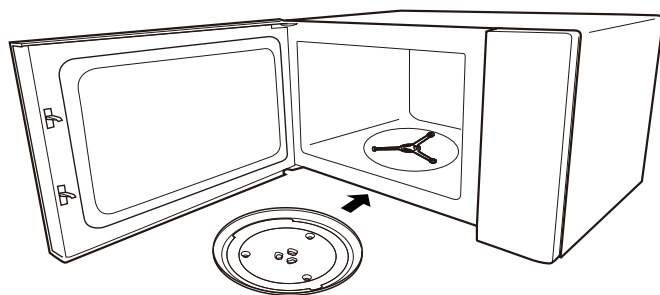
Nomi di componenti e accessori del forno

Pulire il vano di cottura e sistemarvi il piatto rotante. Per le nuove installazioni, accertarsi che tutto il materiale di imballaggio e il nastro di spedizione siano stati rimossi. Prima di usare per la prima volta l'elettrodomestico per la cottura del cibo, sistemare correttamente il piatto rotante. Pulire il vano di cottura e gli accessori.



1) Vassoio in vetro

2) Complesso piattaforma girevole



● NOTA

1. Non usare mai l'elettrodomestico senza piatto rotante. Assicurarsi che sia saldamente agganciato. Il piatto può ruotare in senso orario e antiorario.
2. Non capovolgere mai il vassoio di vetro. Il vassoio di vetro non deve mai essere ristretto.
3. Sia il vassoio di vetro che il complesso della piattaforma girevole devono essere sempre usati durante la cottura.
4. Tutti gli alimenti e i loro contenitori devono essere collocati sul vassoio di vetro durante la cottura.
5. Non limitare mai i movimenti del piatto rotante.
6. Se il vassoio di vetro o il complesso della piattaforma girevole si rompono, contattare immediatamente il centro di assistenza autorizzato più vicino.

INSTALLAZIONE DEL PRODOTTO

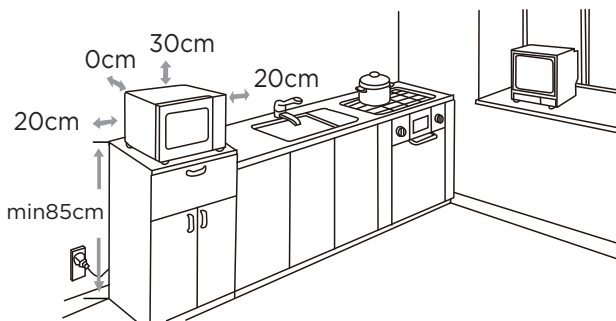
Installazione sul piano di lavoro

Rimuovere tutti i materiali di imballaggio e gli accessori. Verificare che il forno non presenti rotture della porta o altri danni. Non installare il forno se è danneggiato.
Mobile: Rimuovere eventuali pellicole protettive presenti sulla superficie del mobile del forno a microonde. Non rimuovere il coperchio della guida d'onda che è applicato sulla cavità del forno per proteggerne il magnetron.

INSTALLAZIONE

1. Scegliere una superficie piana che disponga di spazio libero sufficiente per le aperture di aspirazione e scarico.
 - L'altezza minima di installazione è di 85 cm.
 - La superficie posteriore degli apparecchi deve essere appoggiata a una parete. Lasciare uno spazio minimo di 30 cm sopra al forno. Tra il forno e le pareti adiacenti è richiesto uno spazio minimo di 20 cm.
 - Non rimuovere le gambe dalla parte inferiore del forno.
 - L'ostruzione delle aperture di aspirazione e scarico potrebbe danneggiare il forno.
 - Collocare il forno alla massima distanza possibile da radio e televisioni. L'utilizzo del forno a microonde può causare interferenze alla ricezione di radio e televisione.

IT



2. Collegare il forno a una presa domestica standard. Verificare che tensione e frequenza dell'elettricità domestica siano uguali a quelle nominali indicate sull'etichetta dell'elettrodomestico.

⚠ AVVERTENZA

Non installare il forno su un piano di cottura o su altri elettrodomestici che producono calore. Se il forno venisse installato in prossimità di una fonte di calore, potrebbe danneggiarsi e la garanzia non sarebbe più valida.

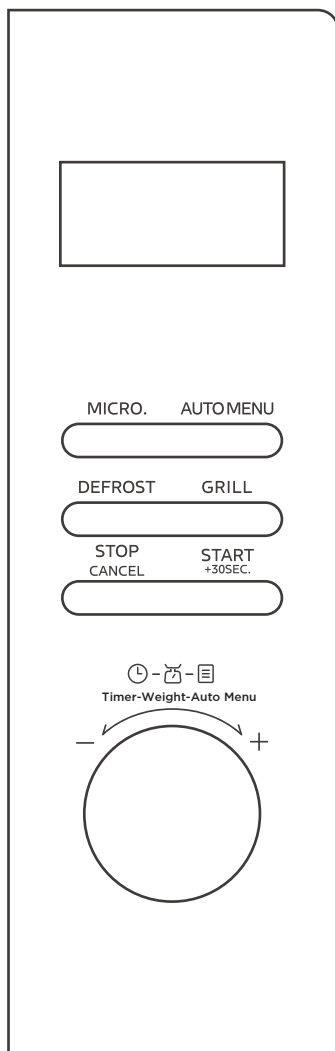
IT



La superficie di accesso potrebbe surriscaldarsi durante il funzionamento.

FUNZIONAMENTO

Pannello di controllo



IT

FUNZIONAMENTO

1. Cottura a microonde

Dopo aver collegato il forno all'alimentazione, sul display verrà visualizzato "0:00". Il cicalino suona.

Sono disponibili 5 livelli di potenza.

Potenza	100%	80%	50%	30%	10%
Display	P100	P80	P50	P30	P10

- (1) Premere "MICRO." e sul display verrà visualizzato "P100".
- (2) Premere "MICRO." più volte o ruotare la manopola per scegliere il livello di potenza. Sono disponibili 5 livelli di potenza.
- (3) Premere "START"
+30SEC. per confermare.
- (4) Ruotare la manopola per impostare il tempo di cottura. Il massimo valore ammesso è "95:00".
- (5) Premere "START"
+30SEC. per avviare la cottura.

● Nota

- (1) L'apertura dello sportello del forno o la pressione di "STOP" "CANCEL" durante l'operazione interromperà la modalità corrente.
- (2) Gli intervalli disponibili per i tempi di regolazione del selettore di codifica sono i seguenti:
0---1 min : 5 secondi
1---5 min : 10 secondi
5---10 min : 30 secondi
10 ---30 min : 1 minuto
30---95 min : 5 minuti

2. Cottura sulla piastra

- (1) Premere una volta "GRILL" e sul display verrà visualizzato "G-1".
- (2) Premere "START"
+30SEC. per confermare.
- (3) Ruotare la manopola per impostare il tempo di cottura. Il massimo valore ammesso è "95:00".
- (4) Premere "START"
+30SEC. per avviare la cottura.

● Nota

Il cicalino suonerà per ricordare di girare gli alimenti durante la cottura alla griglia. Se non si eseguono operazioni, il forno continua a funzionare.

FUNZIONAMENTO

3. Scongelamento in base al Peso

- (1) Premere una volta "DEFROST" e sullo schermo verrà visualizzato "dEF1".
- (2) Ruotare la manopola per impostare il peso degli alimenti. L'intervallo del peso è compreso tra 100 e 2000 g.
- (3) Premere "START"
+30SEC. per avviare lo scongelamento.

● Nota

Il cicalino suonerà per ricordare di girare gli alimenti durante lo scongelamento. Se non si eseguono operazioni, il forno continua a funzionare.

4. Scongelamento in base a Tempo

- (1) Premere due volte "DEFROST" e sullo schermo verrà visualizzato "dEF2".
- (2) Ruotare la manopola per impostare il tempo di scongelamento. Il massimo valore ammesso è "95:00".
- (3) Premere "START"
+30SEC. per avviare lo scongelamento.

● Nota

- (1) Il cicalino suonerà per ricordare di girare gli alimenti durante lo scongelamento. Se non si eseguono operazioni, il forno continua a funzionare.
- (2) La potenza di scongelamento è P30 e non può essere modificata.

5. Cottura veloce

- (1) In modalità standby, ruotare la manopola verso sinistra per impostare il tempo di cottura con il 100% di potenza. Continuare a ruotare la manopola per regolare il tempo di cottura. Poi premere "START"
+30SEC. per avviare la cottura. Il massimo valore ammesso è "95:00".
- (5) In modalità standby, premere "START"
+30SEC. per cuocere gli alimenti con il 100% di potenza per 30 secondi. Ad ogni pressione dello stesso tasto può aumentare di 30 secondi e il valore massimo di tempo è di "95:00".

● Nota

Nello stato di cottura e scongelamento in base allo stato di tempo, ogni ulteriore pressione su START
+30SEC. può aumentare il tempo di cottura di 30 secondi (ad eccezione dello scongelamento in base al peso, del menu automatico e della prima fase di cottura in più fasi).

FUNZIONAMENTO

6. Cottura combinata

- (1) Premere una volta "GRILL" e sul display verrà visualizzato "G-1".
- (2) Premere "GRILL" ripetutamente o girare la manopola e poi "C-1", "C-2" verranno visualizzati.
- (3) Premere "START"
+30SEC. per confermare.
- (4) Ruotare la manopola per impostare il tempo di cottura. Il massimo valore ammesso è "95:00".
- (5) Premere "START"
+30SEC. per avviare la cottura.

Tabella di cottura combinata

Funzione	Display	Potenza Microonde	Potenza griglia
Combi. 1	C-1	55%	45%
Combi. 2	C-2	36%	64%

IT

7. Cottura Multifase

Esempio: Scongelerare gli alimenti per 5 minuti e cuocere a microonde all'80% di potenza per 7 minuti.

- (1) Premere due volte "DEFROST" e sullo schermo verrà visualizzato "dEF2".
- (2) Ruotare la manopola per impostare il tempo di scongelamento desiderato a 5 minuti.
- (3) Premere "MICRO." e sul display verrà visualizzato "P100".
- (4) Premere di nuovo "MICRO." o ruotare la manopola per impostare il livello di potenza a P80.
- (5) Premere "START"
+30SEC. per confermare la potenza delle microonde.
- (6) Ruotare la manopola per impostare il tempo di cottura a 7 minuti.
- (7) Premere "START"
+30SEC. per avviare la cottura.

● Nota

- (1) Nella cottura multifase è possibile impostare due fasi di cottura.
- (2) Se si imposta la funzione di scongelamento, questa verrà attivata automaticamente nella prima fase.
- (3) Il timer di cottura e il menu automatico non possono essere impostati come una delle fasi multiple di cottura.

FUNZIONAMENTO

8. Menu Automatico

- (1) Premere una volta "AUTO MENU " o ruotare la manopola a destra, verrà visualizzato "A-01".
- (2) Premere più volte "AUTO MENU" oppure ruotare la manopola per scegliere il menu desiderato.

Sono disponibili 9 menu automatici.

- (3) Premere "START"
+30SEC. per confermare.
- (4) Ruotare la manopola per impostare il peso degli alimenti.
- (5) Premere "START"
+30SEC. per avviare la cottura.

Tabella Auto Menu

Menu	Peso	Display	Potenza
A-01 Riscaldamento automatico	200 g	200	P100
	400 g	400	
A-02 Carne	250 g	250	
	350 g	350	
	450 g	450	
A-03 Verdura fresca	200 g	200	
	300 g	300	
	400 g	400	
A-04 Pasta	50 g	50	
	100 g	100	
A-05 Patate	1 (230g)	1	P100
	2 (460g)	2	
	3 (690g)	3	
A-06 Pesce	250 g	250	P80
	350 g	350	
	450 g	450	

IT

Menu	Peso	Display	Potenza
A-07 Bevande	1 tazza (120ml)	1	P100
	2 tazze (240ml)	2	
	3 tazze (360ml)	3	
A-08 Popcorn	50 g	50	P50
	100 g	100	
A-09 Pane	50 g	50	P50
	100 g	100	
	150 g	150	
	200 g	200	P100+P80+P50
	250 g	250	
	350 g	350	
	500 g	500	
	700g	700	

IT

9. Funzione di blocco per bambini

È possibile utilizzare tale funzione per impedire ai bambini di accendere accidentalmente il forno.

Per attivare il blocco:

In modalità standby, tenere premuto " ^{STOP}
CANCEL " per tre secondi. Verrà emesso un lungo segnale acustico e sarà visualizzato "[]".

Per disattivare il blocco:

In stato di blocco, tenere premuto " ^{STOP}
CANCEL " per tre secondi. Viene emesso un suono acustico prolungato.

10. Funzione di interrogazione

- (1) Nello stato di cottura al microonde, premere "MICRO." per conoscere il livello di potenza. Verrà visualizzato per tre secondi.
- (2) Nella griglia e nello stato di cottura combinata, premere "GRILL" per chiedere informazioni sulla modalità di cottura. Verrà visualizzato per tre secondi.

RISOLUZIONE DEI PROBLEMI


Normale

Interferenza del forno a microonde con la ricezione TV	La ricezione radiotelevisiva può subire interferenze dal funzionamento del forno a microonde. È simile all'interferenza prodotta da altri piccoli elettrodomestici, quali miscelatori, aspirapolvere e ventilatori elettrici. Questo è del tutto normale.
Illuminazione del forno ridotta	In caso di cottura a microonde a bassa potenza, può verificarsi una riduzione della luce del forno. Questo è del tutto normale.
Accumulo di vapore sulla porta, fuoriuscita di aria calda dalle aperture	Durante la cottura, le vivande possono emettere vapore. La maggior parte uscirà attraverso le aperture. Ma possono verificarsi degli accumuli su superfici fredde, quali la porta del forno. Questo è del tutto normale.
Forno attivato accidentalmente senza alimenti all'interno.	L'unità non può essere messa in funzione senza alimenti al suo interno. È molto pericoloso.

IT

Problema	Possibile Causa	Rimedio
Il forno non può essere avviato.	(1) Il cavo di alimentazione non è collegato correttamente.	Scollegare la spina. Quindi ricollegare la spina dopo 10 secondi.
	(2) Il fusibile si è bruciato o è scattato interruttore automatico.	Sostituire il fusibile o ripristinare l'interruttore di circuito (per la riparazione affidarsi a personale qualificato della nostra società)
	(3) Problema della presa.	Controllare il funzionamento della presa con altri elettrodomestici.
Il forno non si riscalda.	(4) Lo sportello non è chiuso correttamente.	Chiudere bene la porta.

MARCHI COMMERCIALI, DIRITTI D'AUTORE E DICHIARAZIONE LEGALE

Il logo , i marchi denominativi, il nome commerciale, i tratti distintivi del marchio e tutte le possibili versioni dello stesso sono beni di proprietà del Gruppo Midea e/o delle sue affiliate (di seguito "Midea"), di cui Midea detiene i marchi, i copyright e altri diritti di proprietà intellettuale, nonché i diritti di avviamento derivanti dall'uso anche parziale di un marchio Midea. L'uso del marchio Midea per scopi commerciali senza il previo consenso scritto di Midea può costituire una violazione del marchio o un atto di concorrenza sleale che viola le leggi vigenti.

Questo manuale è stato creato da Midea e la stessa Midea si riserva tutti i diritti d'autore. Nessun ente o individuo può utilizzare, duplicare, modificare, distribuire, totalmente o in parte, il presente manuale, né abbinarlo o venderlo con altri prodotti senza il previo consenso scritto di Midea.

IT

Tutte le funzioni e le istruzioni descritte nel presente sono aggiornate al momento della stampa del manuale. Tuttavia, il prodotto reale può variare a causa di funzioni e design migliorati.

SMALTIMENTO E RICICLAGGIO

Istruzioni importanti per l'ambiente

Conformità con la direttiva RAEE e smaltimento dei prodotti di scarto.

Questo prodotto è conforme alla Direttiva RAEE (2012/19/UE). Questo prodotto reca il simbolo di classificazione per i rifiuti di apparecchiature elettriche ed elettroniche (RAEE).

Questo simbolo indica che il prodotto non deve essere smaltito con i normali rifiuti domestici al termine della sua vita utile. Il dispositivo usato deve essere riconsegnato a un punto di raccolta autorizzato per il riciclaggio dei dispositivi elettrici ed elettronici. Per trovare questi sistemi di raccolta, rivolgersi alle autorità locali o al rivenditore presso il quale è stato acquistato il prodotto. Ogni famiglia svolge un ruolo importante nel recupero e nel riciclo dei vecchi elettrodomestici. Lo smaltimento adeguato degli elettrodomestici usati aiuta a prevenire conseguenze potenzialmente negative per l'ambiente e la salute delle persone.



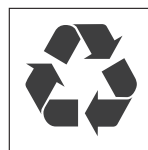
IT

Conformità con la direttiva RoHS

Il prodotto acquistato è conforme alla Direttiva RoHS (2011/65/UE). Il prodotto non contiene materiali nocivi e vietati specificati nella direttiva.

Informazioni sull'imballaggio

I materiali di imballaggio del prodotto sono realizzati con materiali riciclabili, in conformità con le normative ambientali nazionali. Non smaltire i materiali di imballaggio insieme ai normali rifiuti domestici o con altri rifiuti. Consegnerli presso uno dei punti di raccolta per materiali da imballaggio predisposti dalle autorità locali.



INFORMATIVA SULLA PROTEZIONE DEI DATI

Per la fornitura dei servizi concordati con il cliente, dichiariamo di rispettare senza limitazioni tutte le disposizioni delle leggi sulla protezione dei dati applicabili, in conformità con le normative dei Paesi nei quali forniremo i servizi al cliente e, dove applicabile, con il Regolamento generale sulla protezione dei dati (GDPR) dell'Unione Europea.

In generale, elaboriamo i dati per rispettare gli obblighi contrattuali con i clienti, per motivi legati alla sicurezza dei prodotti, per salvaguardare i diritti dei clienti relativi alla garanzia e per le domande sulla registrazione dei prodotti. In alcuni casi, ma solo qualora sia garantita un'adeguata protezione dei dati personali, questi possono essere trasferiti a destinatari che risiedono al di fuori dello Spazio economico europeo.

Ulteriori informazioni sono disponibili su richiesta. È possibile contattare il nostro responsabile della protezione dati scrivendo a **MideaDPO@midea.com**. Per esercitare i propri diritti, come il diritto di opposizione al trattamento dei propri dati personali per scopi di marketing diretto, è possibile contattarci scrivendo a **MideaDPO@midea.com**. Per ulteriori informazioni, utilizzare il codice QR.

IT

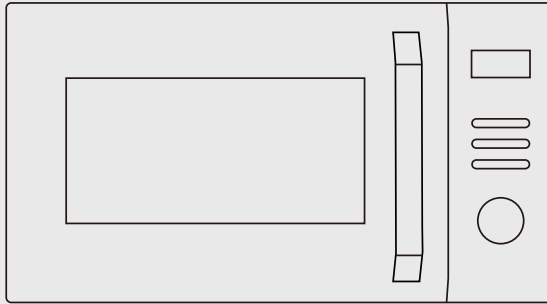


make yourself at home



www.midea.com

© Midea 2024 tutti i diritti riservati



KUCHENKA MIKROFALOWA

INSTRUKCJA OBSŁUGI

MAG25XF

Ostrzeżenia: Przed użyciem tego produktu należy uważnie przeczytać podręcznik obsługi i zachować go do wglądu w przyszłości. Wygląd i specyfikacje mogą się zmienić bez wcześniejszego powiadomienia ze względu na ulepszanie produktów. Więcej szczegółów u sprzedawcy lub producenta.

Powyższa ilustracja służy tylko do celów referencyjnych. Standardem jest wygląd rzeczywistego produktu.

LIST Z PODZIĘKOWANIEM

Dziękujemy za wybranie produktu Midea! Przed użyciem nowego produktu firmy Midea dokładnie zapoznaj się z niniejszą instrukcją, aby mieć pewność, że wiesz, jak bezpiecznie korzystać z funkcji oferowanych przez nowe urządzenie.

SPIS TREŚCI

LIST Z PODZIĘKOWANIEM	02
INSTRUKCJE DOTYCZĄCE BEZPIECZEŃSTWA	03
SPECYFIKACJA	13
KRÓTKI OPIS PRODUKTU	14
MONTAŻ PRODUKTU	16
OBSŁUGA	18
ROZWIĄZYWANIE PROBLEMÓW	24
ZNAKI TOWAROWE, PRAWA AUTORSKIE ORAZ OŚWIADCZENIE PRAWNE	25
UTYLIZACJA I RECYKLING	26
INFORMACJA DOTYCZĄCA OCHRONY DANYCH OSOBOWYCH	27

INSTRUKCJE DOTYCZĄCE BEZPIECZEŃSTWA

Przeznaczenie

Poniższe wytyczne dotyczące bezpieczeństwa mają na celu zapobieganie nieprzewidzianym zagrożeniom lub uszkodzeniom wynikającym z niebezpiecznej lub nieprawidłowej obsługi urządzenia. W celu zapewnienia bezpieczeństwa eksploatacji po dostarczeniu urządzenia należy sprawdzić jego opakowanie i upewnić się, że jest w stanie nienaruszonym. W przypadku stwierdzenia jakichkolwiek uszkodzeń należy skontaktować się ze sprzedawcą. Modyfikacje lub wprowadzanie zmian w urządzeniu jest niedozwolone z przyczyn związanych z bezpieczeństwem użytkownika. Użytkowanie urządzenia niezgodnie z przeznaczeniem może spowodować zagrożenie i utratę roszczeń gwarancyjnych.

Objaśnienia symboli



Niebezpieczeństwo

Ten symbol oznacza zagrożenie dla życia i zdrowia osób związane z wyjątkowo łatwopalnym gazem.



Ostrzeżenie dotyczące napięcia elektrycznego

Ten symbol oznacza, że istnieje zagrożenie dla życia i zdrowia ludzi z powodu napięcia.



Ostrzeżenie

To hasło ostrzegawcze wskazuje na zagrożenie o średnim poziomie ryzyka, które, jeśli się go nie uniknie, może spowodować śmierć lub poważne obrażenia.



Przestroga

To hasło ostrzegawcze wskazuje na zagrożenie o niskim stopniu ryzyka, które, jeśli się go nie uniknie, może spowodować lekkie lub umiarkowane obrażenia.



Uwaga

To hasło ostrzegawcze wskazuje na ważną informację (np. uszkodzenie mienia), ale nie na niebezpieczeństwo.



Przestrzegać instrukcji

Ten symbol oznacza, że technik serwisowy powinien obsługiwać i konserwować to urządzenie wyłącznie zgodnie z instrukcją użytkownika.

Przed przystąpieniem do użytkowania/uruchomienia urządzenia należy dokładnie i uważnie przeczytać tę instrukcję obsługi i zachować ją bezpośrednio przy miejscu montażu lub urządzeniu w celu późniejszego wykorzystania!

ŚRODKI OSTROŻNOŚCI CELEM UNIKNIĘCIA EWENTUALNEGO NARAŻENIA NA NADMIERNĄ ENERGIĘ MIKROFALOWĄ

- a. Nie podejmować prób obsługiwanania tej kuchenki przy otwartych drzwiczkach, ponieważ może to spowodować szkodliwe narażenie na działanie energii mikrofalowej. Nie wolno uszkadzać blokad bezpieczeństwa ani manipulować nimi.
- b. Nie umieszczać żadnych przedmiotów między przednią ścianą kuchenki a drzwiczkami ani nie dopuszczać do gromadzenia się zabrudzeń lub pozostałości środków czyszczących na powierzchniach uszczelniających.
- c. Nie używać kuchenki, jeśli jest uszkodzona. Szczególnie ważne jest, aby drzwiczki kuchenki zamykały się prawidłowo i aby nie doszło do uszkodzenia:
 - DRZWICZKI (wygięte)
 - ZAWIASY I ZATRZASKI (złamane lub poluzowane)
 - USZCZELKI DRZWICZEK I POWIERZCHNIE USZCZELNIAJĄCE
- d. Kuchenka może być regulowana i naprawiana wyłącznie przez odpowiednio wykwalifikowany personel serwisowy.

PL

INFORMACJA DODATKOWA

Jeśli urządzenie nie będzie utrzymywane w dobrym stanie czystości, jego powierzchnia może ulec degradacji i wpłynąć na żywotność urządzenia oraz doprowadzić do niebezpiecznych sytuacji.

ISTOTNE UWAGI DOTYCZĄCE BEZPIECZEŃSTWA

Aby ograniczyć ryzyko pożaru, porażenia prądem, obrażeń osób lub narażenia na działanie nadmiernej energii kuchenki mikrofalowej podczas korzystania z urządzenia, należy przestrzegać podstawowych środków ostrożności, w tym:

▲ OSTRZEŻENIE

- Przeczytać i stosować się do: „ŚRODKI OSTROŻNOŚCI CELEM UNIKNIĘCIA EWENTUALNEGO NARAŻENIA NA NADMIERNĄ ENERGIĘ MIKROFALOWĄ”.
- Niniejsze urządzenie może być użytkowane przez dzieci w wieku powyżej 8 lat oraz osoby posiadające obniżone zdolności fizyczne, sensoryczne lub mentalne bądź nieposiadające doświadczenia i wiedzy pod warunkiem zapewnienia nadzoru i udzielenia wskazówek dotyczących bezpiecznego użytkowania urządzenia oraz objaśnienia powiązanych zagrożeń. Nie należy pozwolić, by dzieci bawiły się urządzeniem. Czyszczenie i konserwacja przez użytkowników nie mogą być wykonywane przez dzieci bez nadzoru.
- Urządzenie i jego przewód należy przechowywać w miejscu niedostępnym dla dzieci w wieku poniżej 8 lat.
- Aby uniknąć niebezpieczeństwa, wymianę uszkodzonego przewodu sieciowego urządzenia należy powierzyć producentowi, jego serwisowi lub innej osobie o podobnych kwalifikacjach.
- **OSTRZEŻENIE:** Przed wymianą lampy upewnić się, że urządzenie jest wyłączone, aby uniknąć możliwości porażenia prądem.
- **OSTRZEŻENIE:** Przeprowadzanie jakiegokolwiek operacji serwisowej lub naprawczej, która wiąże się ze zdjęciem osłony chroniącej przed działaniem energii mikrofalowej przez osobę niekompetentną jest niebezpieczne.

- **OSTRZEŻENIE:** Płynów i innych produktów spożywczych nie wolno podgrzewać w szczelnie zamkniętych pojemnikach, ponieważ grozi to ich rozsadzeniem.
- Podczas podgrzewania żywności w plastikowych lub papierowych pojemnikach należy obserwować kuchenkę z uwagi na możliwość zapłonu.
- Używać wyłącznie utensyliów, które są przystosowane do używania w kuchenkach mikrofalowych.
- Jeśli wydziela się dym, należy wyłączyć lub odłączyć urządzenie, a drzwiczki pozostawić zamknięte, aby stłumić ewentualne płomienie.
- Podgrzewanie mikrofalowe napojów może spowodować opóźnione erupcyjne wrzenie, dlatego należy zachować ostrożność podczas obchodzenia się z pojemnikiem.
- Zawartość butelek do karmienia i słoiczek z jedzeniem dla dzieci należy wymieszać lub wstrząsnąć nimi oraz sprawdzić temperaturę przed spożyciem, aby uniknąć poparzeń.
- Jajka w skorupkach i całe jajka na twardo nie powinny być podgrzewane w kuchenkach mikrofalowych, ponieważ mogą zostać rozsadzone, nawet po zakończeniu podgrzewania mikrofalowego.
- Kuchenka powinna być regularnie czyszczona, a wszelkie pozostałości żywności usuwane.
- Zaniedbanie obowiązku utrzymania kuchenki w czystości może doprowadzić do pogorszenia stanu powierzchni, co może z kolei negatywnie wpłynąć na żywotność urządzenia i ewentualnie doprowadzić do niebezpiecznej sytuacji.
- Aby uniknąć przegrzania, nie wolno instalować urządzenia za ozdobnymi drzwiczkami. (Nie dotyczy to urządzeń z ozdobnymi drzwiczkami.)
- Należy używać wyłącznie termometru zalecanego dla tej mikrofalówki. (w przypadku mikrofalówek z możliwością pomiaru temperatury.)
- Mikrofalówka nie powinna być umieszczana w szafce, chyba że została w niej przetestowana.
- Kuchenka mikrofalowa musi być obsługiwana przy otwartych drzwiczkach ozdobnych. (w przypadku kuchenek wyposażonych w drzwiczki dekoracyjne.)

- To urządzenie jest przeznaczone do użytku w gospodarstwach domowych i podobnych zastosowaniach, takich jak:
 - pracownicze pomieszczenia kuchenne w sklepach, biurach i innych środowiskach pracy;
 - przez klientów w hotelach, motelach i innych środowiskach typu mieszkalnego;
 - gospodarstwa rolne;
 - podmioty oferujące zakwaterowanie z wyżywieniem.
- Kuchenka mikrofalowa jest przeznaczona do podgrzewania żywności i napojów. Suszenie żywności lub odzieży oraz podgrzewanie poduszek rozgrzewających, kapci, gąbek, wilgotnych tkanin i podobnych może prowadzić do ryzyka obrażeń, zapłonu lub pożaru.
- Metalowe pojemniki na żywność i napoje nie są dozwolone podczas mikrofalowej obróbki termicznej.
- Urządzenia nie czyścić za pomocą myjki parowej.
- Urządzenie jest przeznaczone do użytku, gdy jest wolnostojące.
- Tylna powierzchnia urządzenia powinna być skierowana do ściany.
- Urządzenia nie są przeznaczone do pracy z zewnętrznym minutnikiem lub osobnym zdalnie sterowanym systemem.
- Temperatura dostępnych powierzchni może się podczas pracy bardzo nagrzać.

▲ OSTRZEŻENIE

Gdy urządzenie pracuje w trybie kombinowanym, dzieci powinny korzystać z kuchenki tylko pod nadzorem dorosłych ze względu na generowane temperatury.

**PRZECZYTAĆ UWAŻNIE I ZACHOWAĆ
NA PRZYSZŁOŚĆ WYŁĄCZNIE DO
UŻYTKU DOMOWEGO
(NIE DO UŻYTKU KOMERCYJNEGO)**

ABY OGRANICZYĆ RYZYKO OBRAŻEŃ U OSÓB UZIEMIAJĄCYCH URZĄDZENIE

⚠ NIEBEZPIECZEŃSTWO

Zagrożenie porażeniem prądem:

Dotknięcie niektórych elementów wewnętrznych może spowodować poważne obrażenia ciała lub śmierć. Nie demontować tego urządzenia.

⚠ OSTRZEŻENIE

Zagrożenie porażeniem prądem:

Niewłaściwe zastosowanie uziemienia może spowodować porażenie prądem elektrycznym.

Nie podłączać do gniazdka, dopóki urządzenie nie zostanie prawidłowo zainstalowane i uziemione.

To urządzenie musi być uziemione. W przypadku zwarcia elektrycznego uziemienie zmniejsza ryzyko porażenia prądem poprzez zapewnienie przewodu odprowadzającego prąd elektryczny.

To urządzenie jest wyposażone w przewód posiadający żyłę uziemiaczą z wtyczką uziemiaczą. Wtyczka musi być podłączona do prawidłowo zainstalowanego i uziemionego gniazdka.

Jeśli instrukcje dotyczące uziemienia nie są całkowicie zrozumiałe lub jeśli istnieją wątpliwości, czy urządzenie jest prawidłowo uziemione, należy skonsultować się z wykwalifikowanym elektrykiem lub serwisantem.

Jeśli konieczne jest użycie przedłużacza, używać tylko przedłużacza 3-żyłowego.

1. Krótki przewód zasilający jest przewidziany w celu zmniejszenia ryzyka wynikającego z zaplątania się lub potknięcia o dłuższy przewód.

2. Jeśli używany jest długi zestaw przewodów lub przedłużacz:
 - 1) Oznaczona wartość znamionowa elektryczna zestawu przewodów lub przedłużacza powinna być co najmniej równa wartości znamionowej elektrycznej urządzenia.
 - 2) Przedłużacz musi być 3-żyłowym przewodem z uziemieniem.
 - 3) Długi przewód powinien być tak ułożony, aby nie zwiisał nad blatem lub stołem, gdzie mógłby być pociągnięty przez dzieci lub stwarzać ryzyko przypadkowego potknięcia.
- To urządzenie jest urządzeniem typu ISM grupy 2 klasy B. Grupa 2 zawiera wszystkie urządzenia ISM (przemysłowe, naukowe i medyczne), w których energia o częstotliwości radiowej jest celowo generowana i/lub wykorzystywana w postaci promieniowania elektromagnetycznego do obróbki materiałów i obróbki elektroerozyjnej.
- Sprzęt klasy B nadaje się do stosowania w domach i zakładach bezpośrednio podłączonych do sieci zasilającej niskiego napięcia.

CZYSZCZENIE

Należy pamiętać o odłączeniu urządzenia od zasilania.

1. Po użyciu wyczyścić wewnątrz kuchenki lekko wilgotną ściereczką.
2. Akcesoria czyścić w zwykły sposób w wodzie z mydłem.
3. Gdy są zabrudzone, rama drzwiczek i uszczelka oraz sąsiadujące części muszą być dokładnie wyczyszczone wilgotną ściereczką.
4. Do czyszczenia szyby drzwiczek kuchenki nie używać ostrych, ściernych środków czyszczących ani ostrych metalowych skrobaczek, ponieważ mogą one porysować powierzchnię, co może doprowadzić do rozbicia szyby.

5. Wskazówka dotycząca czyszczenia — dla łatwiejszego czyszczenia ścianek komory kuchenki, które mogą wchodzić w kontakt z przygotowywaną żywnością: Umieścić pół cytryny w misce, dodać 300 ml (1/2 pinty) wody i podgrzewać na 100% mocy mikrofal przez 10 minut. Wytrzeć kuchenkę do czysta miękką, suchą ściereczką.

UTENSYLIA

PRZESTROGA

Zagrożenie obrażeniami ciała:

Przeprowadzanie jakiejkolwiek operacji serwisowej lub naprawczej, która wiąże się ze zdjęciem osłony chroniącej przed działaniem energii mikrofalowej przez osobę niekompetentną jest niebezpieczne.

Patrz instrukcje w sekcji „Materiały, których można używać w kuchenke mikrofalowej lub których należy unikać w kuchenke mikrofalowej.” Mogą istnieć pewne niemetalowe naczynia, które nie są bezpieczne do użycia w kuchenke mikrofalowej. W razie wątpliwości można przetestować konkretne naczynie, postępując zgodnie z poniższą procedurą.

PL

Test przyborów:

- Napełnić naczynie nadające się do kuchenki mikrofalowej 1 szklanką zimnej wody (250 ml) wraz z danym przyborem.
- Uruchomić kuchenkę z maksymalną mocą przez 1 minutę.
- Ostrożnie dotknąć naczynia. Jeśli pusty przybór jest ciepły, nie należy go używać do obróbki termicznej żywności w kuchenke mikrofalowej.
- Nie przekraczać 1 minuty czasu obróbki termicznej.

Materiały, których można używać w kuchence mikrofalowej

UTENSYLIA	Uwagi
Naczynie do zapiekania	Postępować zgodnie z instrukcjami producenta. Dno naczynia do zapiekania musi znajdować się co najmniej 5 mm (3/16") powyżej płyty obrotowej. Nieprawidłowe użycie może spowodować pęknięcie płyty obrotowej.
Zastawa stołowa	Wyłącznie przeznaczona do stosowania w kuchenkach mikrofalowych. Postępować zgodnie z instrukcjami producenta. Nie używać pękniętych ani wyszczerbionych naczyń.
Szklane słoiki	Zawsze zdejmować nakrętkę. Używać ich tylko do podgrzewania żywności, aż będzie ciepła. Większość szklanych słoików nie jest odporna na działanie wysokich temperatur i może ulec potłuczeniu.
Szklane naczynia	Tylko żaroodporne szkło przeznaczone do stosowania w kuchenkach. Upewnić się, że brak jest metalowych wykończeń. Nie używać pękniętych ani wyszczerbionych naczyń.
Torebki do obróbki termicznej potraw w kuchenkach	Postępować zgodnie z instrukcjami producenta. Nie zamykać za pomocą metalowej opaski. Zrobić szczeliny, aby para mogła się wydostać.
Papierowe talerze i kubki	Używać tylko do krótkotrwałej obróbki termicznej/podgrzewania. Nie zostawiać kuchenki bez nadzoru podczas obróbki termicznej.
Ręczniki papierowe	Używać do przykrywania żywności w celu podgrzania i wchłonięcia tłuszczu. Używać pod nadzorem tylko do krótkotrwałej obróbki termicznej.
Papier pergaminowy	Używać jako osłony przed rozpryskami lub jako owijki na potrzeby obróbki termicznej na parze.
Tworzywo sztuczne	Wyłącznie przeznaczona do stosowania w kuchenkach mikrofalowych. Postępować zgodnie z instrukcjami producenta. Powinno być oznaczone jako „bezpieczne do stosowania w kuchence mikrofalowej”. Niektóre pojemniki z tworzywa sztucznego miękną, gdy żywność w środku staje się gorąca. „Torebki do obróbki termicznej” i szczelnie zamknięte torebki plastikowe powinny zostać zawczasu rozcięte, przebite lub odpowietrzone zgodnie z instrukcją na opakowaniu.
Folia z tworzywa sztucznego	Wyłącznie przeznaczona do stosowania w kuchenkach mikrofalowych. Używać jej do przykrywania żywności podczas obróbki termicznej, aby zatrzymać wilgoć. Nie pozwolić, aby folia z tworzywa sztucznego dotykała żywności.
Termometry	Wyłącznie przeznaczone do stosowania w kuchenkach mikrofalowych (termometry do mięsa i słodczy).
Papier woskowy	Używać jako osłony przed rozpryskami i zatrzymać wilgoć.

Materiały, których należy unikać w kuchence mikrofalowej

UTENSYLIA	Uwagi
Taca aluminiowa	Może powodować generowanie łuku elektrycznego. Umieścić żywność w naczyniu nadającym się do kuchenki mikrofalowej.
Kartonik na żywność z metalowym uchwytem	Może powodować generowanie łuku elektrycznego. Umieścić żywność w naczyniu nadającym się do kuchenki mikrofalowej.
Przybory metalowe lub pokryte metalem	Metal uniemożliwia energii mikrofalowej podgrzewanie żywności. Metalowe wykończenia mogą powodować generowanie łuku elektrycznego.
Metalowe opaski zaciskowe	Mogą powodować generowanie łuku elektrycznego i wywołać pożar w kuchence.
Torby papierowe	Mogą spowodować pożar w kuchence.
Pianka z tworzywa sztucznego	Pianka z tworzywa sztucznego może się stopić lub zanieczyścić znajdujący się wewnątrz płyn pod wpływem wysokiej temperatury.
Drewno	Drewno wyschnie podczas używania w kuchence mikrofalowej i może ulec rozszczepieniu lub pęknięciu.

SPECYFIKACJA

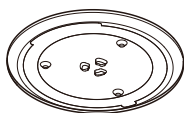
Model	MAG25XF
Napięcie/Częstotliwość	230–240 V~ 50 Hz
Znamionowa moc wejściowa mikrofal	1250 W
Znamionowa moc wyjściowa mikrofal	800 W
Znamionowa moc wejściowa mikrofal (grill)	1000 W

KRÓTKI OPIS PRODUKTU

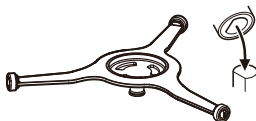
Nazwy części kuchenki i akcesoriów

W przypadku wszelkich różnic między urządzeniem a ilustracjami w tej instrukcji, należy odnieść się do produktu.

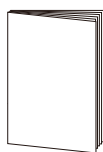
Wyjąć kuchenkę i wszystkie kartonowe materiały i komory kuchenki.
Kuchenka jest dostarczana z następującymi akcesoriami:



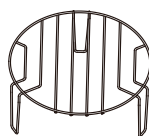
Taca szklana



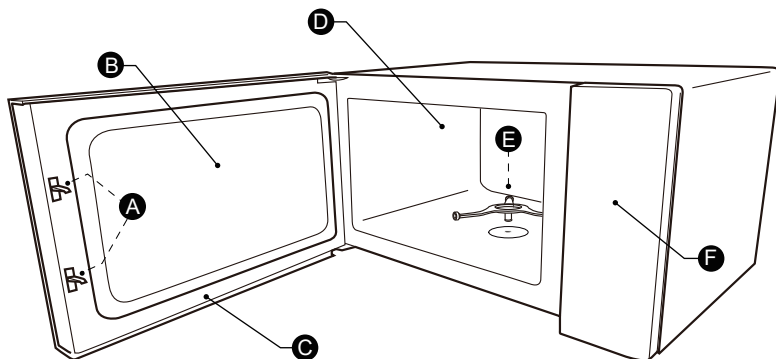
Zespół pierścienia płyty obrotowej



Instrukcja obsługi



Ruszt grillowy (nie może być używany z wykorzystaniem mikrofal i musi być umieszczony na szklanej tacy.)



A) System blokady bezpieczeństwa

B) Wziernik

C) Zespół drzwiczek

D) Komora kuchenki

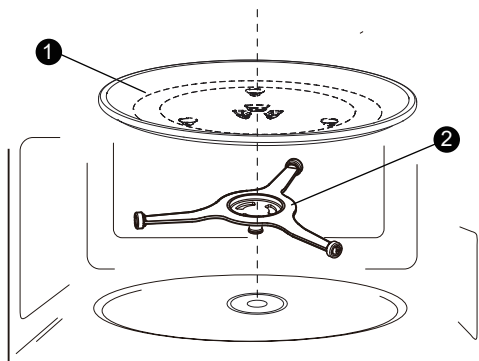
E) Zespół pierścienia płyty obrotowej

F) Panel sterowania

KRÓTKI OPIS PRODUKTU

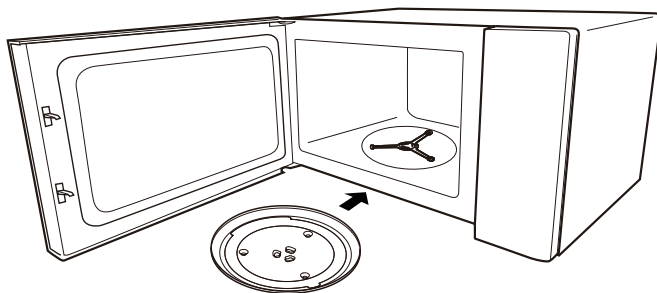
Nazwy części kuchenki i akcesoriów

Czyszczenie komory gotowania i montaż płyty obrotowej. W przypadku nowych instalacji należy upewnić się, że wszelkie elementy opakowania i taśma wysyłkowa zostały usunięte. Przed pierwszym użyciem urządzenia do przygotowania żywności należy prawidłowo umieścić płytę obrotową w odpowiednim miejscu. Należy wyczyścić komorę gotowania i akcesoria.



1) Szklana taca

2) Zespół pierścienia płyty obrotowej



PL

UWAGI

1. Nigdy nie wolno używać urządzenia bez płyty obrotowej. Upewnić się, że jest ona właściwie zamontowana. Płyta obrotowa może obracać się w prawo lub w lewo.
2. Nigdy nie umieszczaj szklanej tacy dołem do góry. Szklana taca nigdy nie powinna być ograniczona.
3. Zarówno taca szklana, jak i zespół pierścienia płyty obrotowej muszą być zawsze używane podczas obróbki termicznej.
4. Wszystkie potrawy i pojemniki z żywnością podczas obróbki termicznej są zawsze umieszczane na szklanej tacy.
5. Nigdy nie należy ograniczać ruchu płyty obrotowej.
6. Jeśli szklana taca lub zespół pierścienia płyty obrotowej pękną lub złamią się, należy skontaktować się z najbliższym autoryzowanym centrum serwisowym.

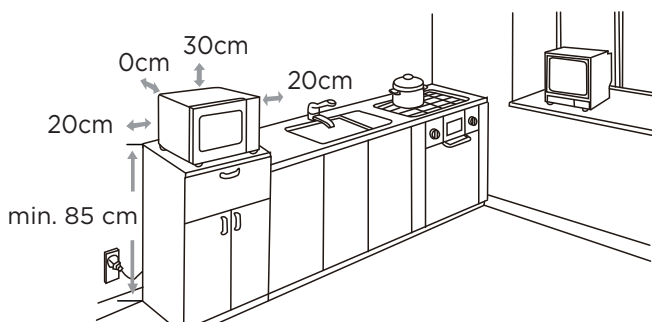
MONTAŻ PRODUKTU

Instalacja na blacie

Usunąć wszelkie elementy opakowania i akcesoria. Sprawdzić, czy kuchenka nie jest uszkodzona, np. brak wgnieceń lub drzwiczki nie są pęknięte. Nie instalować kuchenki, jeśli jest uszkodzona. Szafka: Usunąć całą folię na powierzchni obudowy kuchenki mikrofalowej. Nie należy usuwać pokrywy falowodów, która jest zamocowana we wgłębieniu w kuchence w celu ochrony magnetronu.

INSTALACJA

1. Wybrać równą powierzchnię, która oferuje wystarczającą otwartą przestrzeń dla wlotów i/lub wylotów powietrza.
 - Minimalna wysokość zabudowy to 85 cm.
 - Tylna powierzchnia urządzenia powinna być skierowana do ściany. Pozostawić minimalny odstęp 30 cm nad kuchenką. Wymagany jest minimalny odstęp 20 cm między kuchenką a sąsiednimi ścianami.
 - Nie należy usuwać nóżek ze spodu kuchenki.
 - Blokowanie wlotu i/lub wylotu może uszkodzić kuchenkę.
 - Umieścić kuchenkę tak daleko od odbiorników radiowych i telewizyjnych, jak to tylko możliwe. Obsługa kuchenki mikrofalowej może spowodować zakłócenia odbioru radiowego lub telewizyjnego.



2. Podłączyć kuchenkę do standardowego gniazda ściennego. Upewnić się, że napięcie i częstotliwość są takie same, jak napięcie i częstotliwość na tabliczce znamionowej.

▲ OSTRZEŻENIE

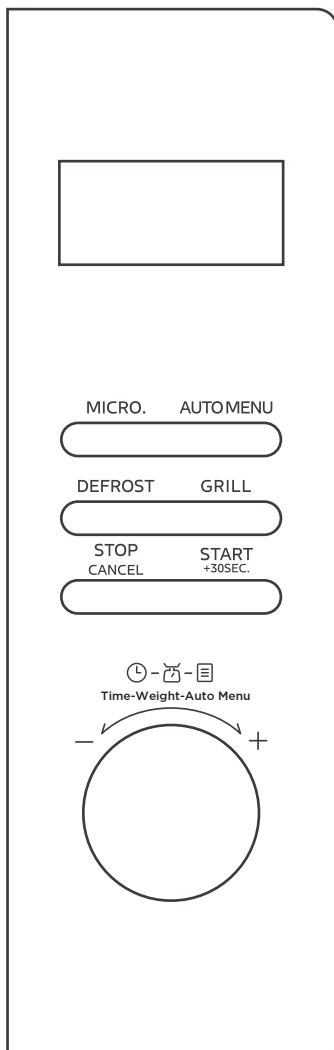
Nie należy instalować kuchenki ponad zwykłą kuchenką lub innym urządzeniem wytwarzającym gorąco. Jeśli kuchenka jest zainstalowana w pobliżu lub nad źródłem ciepła, może się uszkodzić oraz unieważnić gwarancję.



Dostępna powierzchnia może być gorąca podczas pracy.

OBSŁUGA

Panel sterowania



PL

OBSŁUGA

1. Obróbka termiczna z wykorzystaniem mikrofal

Po podłączeniu kuchenki do zasilania na wyświetlaczu pojawi się „0:00”. Rozlegnie się sygnał dźwiękowy.

Dostępnych jest 5 poziomów.

Moc	100%	80%	50%	30%	10%
Wyświetlacz	P100	P80	P50	P30	P10

- (1) Nacisnąć jednokrotnie „MICRO.”, a wyświetli się „P100”.
- (2) Nacisnąć wielokrotnie „MICRO.” lub przekręcić pokrętkę, by ustawić poziom mocy.
Dostępnych jest 5 poziomów.
- (3) Nacisnąć „**START**”_{+30SEC.}, aby potwierdzić.
- (4) Przekręcić pokrętkę, by ustawić czas gotowania. Maksymalną wartością czasu jest „95:00”.
- (5) Nacisnąć „**START**”_{+30SEC.}, aby rozpocząć obróbkę termiczną.

Uwagi

- (1) Otwarcie drzwiczek kuchenki lub naciśnięcie „**STOP**”_{CANCEL} podczas pracy przerwie bieżący tryb.
- (2) Wielkości interwałów dla czasu regulacji przełącznika kodowania są następujące:
0---1 min : 5 sekund
1---5 min : 10 sekund
5---10 min : 30 sekund
10---30 min : 1 minuta
30---95 min : 5 minut

PL

2. Obróbka termiczna z wykorzystaniem funkcji grilla

- (1) Nacisnąć jednokrotnie „GRILL”, a wyświetli się „G-1”.
- (2) Nacisnąć „**START**”_{+30SEC.}, aby potwierdzić.
- (3) Przekręcić pokrętkę, by ustawić czas gotowania. Maksymalną wartością czasu jest „95:00”.
- (4) Nacisnąć „**START**”_{+30SEC.}, aby rozpocząć obróbkę termiczną.

Uwaga

Rozlegnie się brzęczyk, by przypomnieć o odwróceniu jedzenia podczas obróbki termicznej z wykorzystaniem funkcji grilla.

Jeśli nie zostaną podjęte żadne czynności, kuchenka będzie kontynuować pracę.

OBSŁUGA

3. Rozmrażanie według wagi

- (1) Nacisnąć jednokrotnie „DEFROST”, a na ekranie wyświetli się „dEF1”.
- (2) Przekręcić pokrętkę, by ustawić wagę jedzenia. Zakres wagi to 100–2000 g.
- (3) Nacisnąć „START”_{+30SEC.}, aby rozpocząć rozmrażanie.

Uwaga

Rozlegnie się brzęczyk, by przypomnieć o odwróceniu jedzenia podczas rozmrażania. Jeśli nie zostaną podjęte żadne czynności, kuchenka będzie kontynuować pracę.

4. Rozmrażanie według czasu

- (1) Nacisnąć dwukrotnie „DEFROST”, a na ekranie wyświetli się „dEF2”.
- (2) Przekręcić pokrętkę, by ustawić czas rozmrażania. Maksymalną wartością czasu jest „95:00”.
- (3) Nacisnąć „START”_{+30SEC.}, aby rozpocząć rozmrażanie.

Uwagi

- (1) Rozlegnie się brzęczyk, by przypomnieć o odwróceniu jedzenia podczas rozmrażania. Jeśli nie zostaną podjęte żadne czynności, kuchenka będzie kontynuować pracę.
- (2) Moc rozmrażania to P30 i nie można jej zmienić.

5. Szybka obróbka termiczna

- (1) W trybie oczekiwania przekręcić pokrętkę w lewą stronę, by ustawić czas obróbki termicznej z poziomem mocy 100%. Kontynuować przekręcanie pokrętki, by dostosować czas gotowania. Następnie nacisnąć „START”_{+30SEC.}, aby rozpocząć obróbkę termiczną. Maksymalną wartością czasu jest „95:00”.
- (2) W trybie oczekiwania nacisnąć „START”_{+30SEC.}, by obrabiać termicznie jedzenie z poziomem mocy 100% przez 30 sekund. Każde naciśnięcie tego samego przycisku zwiększy wartość o 30 sekund. Maksymalnie można ustawić wartość „95:00”.

Uwaga

W trybie obróbki termicznej i rozmrażania według czasu każde kolejne naciśnięcie przycisku START_{+30SEC.} zwiększa czas gotowania o 30 sekund (z wyjątkiem rozmrażania według wagi, menu automatycznego i pierwszego etapu wieloetapowej obróbki termicznej).

OBSŁUGA

6. Obróbka termiczna kombinowana

- (1) Nacisnąć jednokrotnie „GRILL”, a wyświetli się „G-1”.
- (2) Nacisnąć kilkakrotnie „GRILL” lub przekręcić pokrętkę, a wyświetli się „C-1”, „C-2”.
- (3) Nacisnąć „START”_{+30SEC.}, aby potwierdzić.
- (4) Przekręcić pokrętkę, by ustawić czas gotowania. Maksymalną wartością czasu jest „95:00”.
- (5) Nacisnąć „START”_{+30SEC.}, aby rozpocząć obróbkę termiczną.

Tabela obróbki termicznej kombinowanej

Funkcja	Wyświetlacz	Moc mikrofal	Moc grilla
Komb. 1	C-1	55%	45%
Komb. 2	C-2	36%	64%

7. Wieloetapowa obróbka termiczna

Przykład: Rozmrażać jedzenie przez 5 minut, a następnie obrabiać termicznie na 80% mocy mikrofal przez 7 minut.

- (1) Nacisnąć dwukrotnie „DEFROST”, a na ekranie wyświetli się „dEF2”.
- (2) Przekręcić pokrętkę, by ustawić żądany czas rozmrażania na 5 minut.
- (3) Nacisnąć jednokrotnie „MICRO.”, a wyświetli się „P100”.
- (4) Nacisnąć wielokrotnie „MICRO.” lub przekręcić pokrętkę, by ustawić poziom mocy na P80.
- (5) Nacisnąć „START”_{+30SEC.}, aby potwierdzić ustawienie mocy mikrofal.
- (6) Przekręcić pokrętkę, by ustawić czas gotowania na 7 minut.
- (7) Nacisnąć „START”_{+30SEC.}, aby rozpocząć obróbkę termiczną.

Uwagi

- (1) Dwa etapy obróbki termicznej mogą być ustawione w wieloetapowej obróbce termicznej.
- (2) Jeśli ustawi się funkcję rozmrażania, będzie to automatycznie pierwszy etap.
- (3) Minutnik kuchenny i menu automatyczne nie mogą być ustawione jako jeden z etapów.

OBSŁUGA

8. Menu automatyczne

- (1) Naciśnąć jednokrotnie przycisk „AUTO MENU” lub przekręcić pokrętkę w prawo, a wyświetli się „A-01”.
- (2) Naciśnąć kilkakrotnie przycisk „AUTO MENU” lub przekręcić pokrętkę, aby wybrać żądane menu.
Dostępnych jest 9 automatycznych menu.
- (3) Naciśnąć **START**, aby potwierdzić.
- (4) Przekręcić pokrętkę, by ustawić wagę jedzenia.
- (5) Naciśnąć **START**, aby rozpocząć obróbkę termiczną.

Tabela menu automatycznych

Menu	Waga	Wyświetlacz	Moc
A-01 Automatycznie podgrzewanie	200 g	200	P100
	400 g	400	
A-02 Mięso	250 g	250	
	350 g	350	
	450 g	450	
A-03 Świeże warzywa	200 g	200	
	300 g	300	
	400 g	400	
A-04 Makarony	50 g	50	
	100 g	100	
A-05 Ziemniaki	1 (230 g)	1	P100
	2 (460 g)	2	
	3 (690 g)	3	
A-06 Ryby	250 g	250	P80
	350 g	350	
	450 g	450	

PL

OBSŁUGA

Menu	Waga	Wyświetlacz	Moc
A-07 Napoje	1 filiżanka (120 ml)	1	P100
	2 filiżanki (240 ml)	2	
	3 filiżanki (360 ml)	3	
A-08 Popcorn	50 g	50	P50
	100 g	100	
A-09 Chleb	50 g	50	P50
	100 g	100	
	150 g	150	
	200 g	200	
	250 g	250	P100+P80+P50
	350 g	350	
	500 g	500	
	700 g	700	

9. Funkcja blokady przed dziećmi

Tej funkcji można użyć, by uniemożliwić dzieciom przypadkowe włączenie kuchenki.

Aby aktywować blokadę:

W trybie oczekiwania naciśnięć i przez trzy sekundy przytrzymać „STOP”
CANCEL”. Rozlegnie się brzęczyk i wyświetli się „□□□□”.

Aby dezaktywować blokadę:

W trybie blokady naciśnięć i przez trzy sekundy przytrzymać „STOP”
CANCEL”. Rozlegnie się długi brzęczyk.

PL

10. Funkcja wywołania informacji

- (1) W trybie obróbki termicznej naciśnięć „MICRO.”, by przywołać informacje o poziomie mocy. Zostaną one wyświetlone przez trzy sekundy.
- (2) W trybie obróbki termicznej z wykorzystaniem funkcji grilla i obróbki termicznej kombinowanej naciśnięć „GRILL”, aby przywołać informacje o trybie obróbki termicznej. Zostaną one wyświetlone przez trzy sekundy.


ROZWIĄZYWANIE PROBLEMÓW

Normalne zjawiska

Kuchenka mikrofalowa zakłócająca odbiór TV	Podczas pracy kuchenki mikrofalowej mogą wystąpić zakłócenia odbioru sygnału radiowego i telewizyjnego. Jest to podobne do zakłóceń powodowanych przez małe urządzenia elektryczne, takie jak mikser, odkurzacz i wentylator elektryczny. Jest to normalne zjawisko.
Przyciemnione światło kuchenki	Podczas obróbki termicznej w kuchenke mikrofalowej z ustawieniem niskiej mocy, oświetlenie kuchenki może ulec przyciemnieniu. Jest to normalne zjawisko.
Para gromadząca się na drzwiach, gorące powietrze ulatujące z otworów wentylacyjnych	Podczas obróbki termicznej z potraw może wydobywać się para. Jej większość wydostaje się z otworów wentylacyjnych. Ale część może skraplać się na chłodnej powierzchni, takiej jak drzwiczki kuchenki. Jest to normalne zjawisko.
Kuchenka została przypadkowo uruchomiona bez żywności.	Nie wolno uruchamiać urządzenia bez żywności w środku. Jest to bardzo niebezpieczne.

Problem	Możliwa przyczyna	Rozwiązanie
Nie można uruchomić kuchenki.	(1) Przewód zasilający nie jest dobrze podłączony.	Odłączyć wtyczkę. Podłączyć ponownie po 10 sekundach.
	(2) Przepalony bezpiecznik lub zadziałał wyłącznik automatyczny.	Wymienić bezpiecznik lub zresetować wyłącznik automatyczny (naprawa przez profesjonalny personel naszej firmy).
	(3) Problem z gniazdkiem.	Przetestować gniazdko z innymi urządzeniami elektrycznymi.
Kuchenka nie nagrzewa się.	(4) Drzwiczki nie są dobrze zamknięte.	Dobrze zamknąć drzwiczki.

ZNAKI TOWAROWE, PRAWA AUTORSKIE ORAZ OŚWIADCZENIE PRAWNE

Logo , znaki słowne, nazwa handlowa, szata graficzna i wszystkie ich wersje, a także cała wartość firmy wynikającą z wykorzystywania jakiegokolwiek części znaku handlowego Midea, stanowią cenne aktywa Grupy Midea lub jej spółek zależnych („Midea”), dla których firma Midea posiada znaki handlowe, prawa autorskie i inne prawa własności intelektualnej. Wykorzystanie znaku towarowego Midea do celów komercyjnych bez uprzedniej pisemnej zgody firmy Midea może stanowić naruszenie znaku towarowego lub stanowić nieuczciwą konkurencję z naruszeniem odpowiednich przepisów.

Niniejsza instrukcja została opracowana przez firmę Midea i Midea zastrzega sobie wszelkie prawa autorskie do niej. Żaden podmiot ani osoba nie może wykorzystywać, powielać, modyfikować, rozpowszechniać w całości lub w części niniejszej instrukcji, ani łączyć lub sprzedawać jej z innymi produktami bez uprzedniej pisemnej zgody firmy Midea.

Wszelkie opisane funkcje i wskazówki były aktualne w momencie drukowania niniejszej instrukcji. Jednakże rzeczywisty produkt może różnić się ze względu na ulepszone funkcje i konstrukcje.

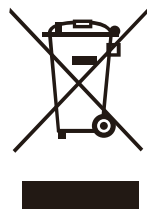
UTYLIZACJA I RECYKLING

Ważne wskazówki dotyczące środowiska

Zgodność z dyrektywą WEEE dotyczącą utylizacji i recyklingu zużytego sprzętu elektrycznego i elektronicznego:

ten produkt jest zgodny z dyrektywą UE WEEE (2012/19/UE). Niniejszy produkt posiada symbol klasyfikacji dla zużytego sprzętu elektrycznego i elektronicznego (WEEE).

Ten symbol oznacza, że tego produktu po zakończeniu okresu użytkowania nie należy wyrzucać wraz z innymi odpadami z gospodarstwa domowego. Zużyte urządzenie należy zwrócić do oficjalnego punktu zbiórki zużytego sprzętu elektrycznego i elektronicznego. Aby znaleźć te punkty zbiórki, należy skontaktować się z władzami lokalnymi lub sprzedawcą, od którego produkt został zakupiony. Każde gospodarstwo domowe pełni ważną rolę w odzyskiwaniu i recyklingu starego sprzętu. Odpowiednia utylizacja zużytego urządzenia pomaga zapobiegać potencjalnym negatywnym skutkom dla środowiska i zdrowia ludzi.

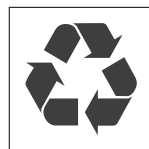


Zgodność z dyrektywą RoHS

Niniejszy produkt spełnia wymagania dyrektywy UE RoHS (2011/65/UE). Nie zawiera szkodliwych ani zabronionych materiałów określonych w dyrektywie.

Informacje dotyczące opakowania

Materiały, z których wykonano opakowanie niniejszego produktu zostały wytworzone z elementów nadających się do recyklingu zgodnie z naszymi krajowymi przepisami dotyczącymi środowiska. Nie należy wyrzucać materiałów opakowania wraz z odpadami domowymi lub innymi. Materiały opakowania należy dostarczyć do punktu zbiórki wyznaczonego przez lokalne władze.



INFORMACJA DOTYCZĄCA OCHRONY DANYCH OSOBOWYCH

Aby świadczyć usługi uzgodnione z klientem, zobowiązujemy się do przestrzegania bez ograniczeń wszelkich postanowień obowiązującego prawa dotyczącego ochrony danych osobowych oraz zgodnie z procedurami obowiązującymi w uzgodnionych państwach, w których będą świadczone usługi na rzecz klienta, jak również w stosownych przypadkach postanowień wynikających z ogólnego rozporządzenia o ochronie danych UE (RODO).

Ogólnie rzecz biorąc, przetwarzanie przez nas danych osobowych ma na celu wypełnienie naszego zobowiązania wynikającego z umowy z klientem oraz ze względu na kwestie bezpieczeństwa związane z produktem w celu ochrony praw klienta w związku z pytaniami dotyczącymi gwarancji i rejestracji produktu. W niektórych przypadkach, lecz wyłącznie pod warunkiem zapewnienia odpowiedniej ochrony danych osobowych, takie dane mogą być przekazywane odbiorcom znajdującym się poza Europejskim Obszarem Gospodarczym.

Więcej informacji udzielamy na życzenie. Kontakt z naszym inspektorem ochrony danych jest możliwy za pośrednictwem poczty elektronicznej pod adresem **MideaDPO@midea.com**. Aby skorzystać ze swoich praw, takich jak prawo do sprzeciwu wobec przetwarzania danych osobowych w celach marketingu bezpośredniego, należy skontaktować się z nami za pomocą poczty elektronicznej pod adresem **MideaDPO@midea.com**. Aby uzyskać więcej informacji, należy skorzystać z kodu QR.

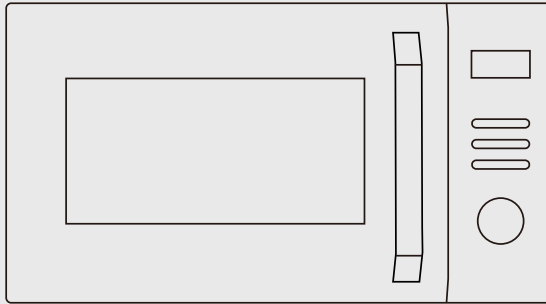


make yourself at home



www.midea.com

© Midea 2024 alle Rechte vorbehalten



ΦΟΥΡΝΟΣ ΜΙΚΡΟΚΥΜΑΤΩΝ

ΕΓΧΕΙΡΙΔΙΟ ΧΡΗΣΤΗ

MAG25XF

Προειδοποίηση: Προτού χρησιμοποιήσετε αυτό το προϊόν, διαβάστε προσεκτικά αυτό το εγχειρίδιο και κρατήστε το για μελλοντική αναφορά. Ο σχεδιασμός και οι προδιαγραφές υπόκεινται σε αλλαγές χωρίς προειδοποίηση για λόγους βελτίωσης του προϊόντος.

Συμβουλευτείτε τον διανομέα σας ή τον κατασκευαστή για λεπτομέρειες.

Το παραπάνω διάγραμμα προορίζεται μόνο για σκοπούς αναφοράς. Λάβετε την εμφάνιση του πραγματικού προϊόντος ως πρότυπο.

ΕΥΧΑΡΙΣΤΙΕΣ

Σας ευχαριστούμε που επιλέξατε την Midea! Προτού χρησιμοποιήσετε το νέο σας προϊόν της Midea, διαβάστε προσεκτικά αυτό το εγχειρίδιο για να βεβαιωθείτε ότι γνωρίζετε πώς να χειρίζεστε τις δυνατότητες και τις λειτουργίες που προσφέρει η νέα σας συσκευή με ασφάλεια.

ΠΕΡΙΕΧΟΜΕΝΑ







ΕΥΧΑΡΙΣΤΙΕΣ	02
ΟΔΗΓΙΕΣ ΑΣΦΑΛΕΙΑΣ	03
ΠΡΟΔΙΑΓΡΑΦΕΣ	12
ΕΠΙΣΚΟΠΗΣΗ ΠΡΟΪΟΝΤΟΣ	13
ΕΓΚΑΤΑΣΤΑΣΗ ΠΡΟΪΟΝΤΟΣ	15
ΛΕΙΤΟΥΡΓΙΑ	17
ΑΝΤΙΜΕΤΩΠΙΣΗ ΠΡΟΒΛΗΜΑΤΩΝ	23
ΕΜΠΟΡΙΚΑ ΣΗΜΑΤΑ, ΠΝΕΥΜΑΤΙΚΑ ΔΙΚΑΙΩΜΑΤΑ ΚΑΙ ΝΟΜΙΚΗ ΔΗΛΩΣΗ	24
ΑΠΟΡΡΙΨΗ ΚΑΙ ΑΝΑΚΥΚΛΩΣΗ	25
ΕΙΔΟΠΟΙΗΣΗ ΓΙΑ ΤΗΝ ΠΡΟΣΤΑΣΙΑ ΤΩΝ ΔΕΔΟΜΕΝΩΝ	26

ΟΔΗΓΙΕΣ ΑΣΦΑΛΕΙΑΣ

Προβλεπόμενη χρήση

Οι ακόλουθες οδηγίες ασφαλείας έχουν ως στόχο να αποτρέψουν απρόβλεπτους κινδύνους ή ζημιές από μη ασφαλή ή λανθασμένη λειτουργία της συσκευής. Ελέγξτε τη συσκευασία και τη συσκευή κατά την παραλαβή της για να βεβαιωθείτε ότι όλα είναι άθικτα, ώστε να διασφαλίσετε την ασφαλή λειτουργία. Εάν διαπιστώσετε οποιαδήποτε ζημιά, επικοινωνήστε με τον έμπορο λιανικής ή τον αντιπρόσωπο. Σημειώστε ότι δεν επιτρέπονται τροποποιήσεις ή μετατροπές στη συσκευή για λόγους ασφαλείας. Η ακούσια χρήση μπορεί να προκαλέσει κινδύνους και απώλεια αξιώσεων εγγύησης.

Επεξήγηση συμβόλων

	Κίνδυνος Αυτό το σύμβολο υποδεικνύει ότι υπάρχουν κίνδυνοι για τη ζωή και την υγεία των ατόμων λόγω εξαιρετικά εύφλεκτου αερίου.
	Προειδοποίηση για την ηλεκτρική τάση Αυτό το σύμβολο υποδεικνύει ότι υπάρχει κίνδυνος για τη ζωή και την υγεία των ατόμων λόγω τάσης.
	Προειδοποίηση Η ένδειξη υποδηλώνει μεσαίο επίπεδο κινδύνου που, εάν δεν αποφευχθεί, ενδέχεται να οδηγήσει σε θάνατο ή σοβαρό τραυματισμό.
	Προφυλαξη Η ενδεικτική λέξη υποδηλώνει χαμηλό επίπεδο κινδύνου που, εάν δεν αποφευχθεί, ενδέχεται να οδηγήσει σε μικρό ή μέτριο τραυματισμό.
	Προσοχή Η ενδεικτική λέξη υποδηλώνει σημαντικές πληροφορίες (π.χ. ζημιά σε περιουσιακά στοιχεία), αλλά όχι κίνδυνο.
	Τηρείτε τις οδηγίες Αυτό το σύμβολο υποδεικνύει ότι ο χειρισμός και η συντήρηση της συσκευής πρέπει να εκτελείται από τεχνικό σέρβις μόνο σύμφωνα με τις οδηγίες λειτουργίας.

Διαβάστε προσεκτικά και με προσοχή τις παρούσες οδηγίες λειτουργίας πριν από τη χρήση/λειτουργία της συσκευής και φυλάξτε τις σε κοντά στον χώρο εγκατάστασης ή τη μονάδα για μελλοντική χρήση!

GR

ΠΡΟΦΥΛΑΞΕΙΣ ΑΠΟΦΥΓΗΣ ΠΙΘΑΝΗΣ ΕΚΘΕΣΗΣ ΣΕ ΥΠΕΡΒΟΛΙΚΗ ΕΝΕΡΓΕΙΑ ΜΙΚΡΟΚΥΜΑΤΩΝ

- a. Μην προσπαθήσετε να χρησιμοποιήσετε τον φούρνο με την πόρτα ανοιχτή, καθώς αυτό μπορεί να προκαλέσει επιβλαβή έκθεση σε ενέργεια μικροκυμάτων. Είναι σημαντικό να μην σπάσετε ή παραποιήσετε τα μάνταλα ασφάλισης.
- b. Μην τοποθετείτε αντικείμενα ανάμεσα στην πρόσοψη του φούρνου και την πόρτα και μην αφήνετε να συσσωρευούνται ακαθαρσίες ή υπολείμματα καθαριστικού στις επιφάνειες σφραγίσματος.
- c. Μην χρησιμοποιείτε τον φούρνο αν έχει υποστεί ζημιά. Είναι ιδιαίτερα σημαντικό να κλείνει σωστά η πόρτα του φούρνου και να μην υπάρχει ζημιά στα εξής:
- ΠΟΡΤΑ (στραβωμένη)
 - ΜΕΝΤΕΣΕΔΕΣ ΚΑΙ ΜΑΝΤΑΛΑ (σπασμένα ή ξεσφιγμένα)
 - ΛΑΣΤΙΧΑ ΠΟΡΤΑΣ ΚΑΙ ΕΠΙΦΑΝΕΙΕΣ ΣΤΕΓΑΝΟΠΟΙΗΣΗΣ
- d. Δεν επιτρέπεται η προσαρμογή ή επισκευή του φούρνου από άτομα εκτός εξειδικευμένων τεχνικών σέρβις.

ΠΑΡΑΡΤΗΜΑ

Εάν η συσκευή δεν διατηρείται καθαρή, η επιφάνειά της μπορεί να υποβαθμιστεί και να επηρεάσει τη διάρκεια ζωής της, οδηγώντας σε πιθανώς επικίνδυνη κατάσταση.

ΣΗΜΑΝΤΙΚΕΣ ΟΔΗΓΙΕΣ ΑΣΦΑΛΕΙΑΣ

Για τη μείωση του κινδύνου πυρκαγιάς, ηλεκτροπληξίας, τραυματισμών ή έκθεσης σε υπερβολική ενέργεια μικροκυμάτων, ακολουθείτε τις βασικές προφυλάξεις κατά τη χρήση της συσκευής σας, συμπεριλαμβανομένων των παρακάτω:

▲ ΠΡΟΕΙΔΟΠΟΙΗΣΗ

- Διαβάστε και ακολουθήστε την ενότητα: «ΠΡΟΦΥΛΑΞΕΙΣ ΑΠΟΦΥΓΗΣ ΠΙΘΑΝΗΣ ΕΚΘΕΣΗΣ ΣΕ ΥΠΕΡΒΟΛΙΚΗ ΕΝΕΡΓΕΙΑ ΜΙΚΡΟΚΥΜΑΤΩΝ».
- Αυτή η συσκευή μπορεί να χρησιμοποιηθεί από παιδιά από 8 ετών και πάνω και άτομα με μειωμένες σωματικές, αισθητήριες ή νοητικές ικανότητες ή έλλειψη εμπειρίας και γνώσεων, αν τους έχει παρασχεθεί επίβλεψη ή καθοδήγηση σχετικά με την ασφαλή χρήση της συσκευής, και κατανοούν τους κινδύνους που εμπλέκονται. Τα παιδιά δεν επιτρέπεται να παίζουν με τη συσκευή. Ο καθαρισμός και η συντήρηση της συσκευής δεν πρέπει να πραγματοποιούνται από παιδιά χωρίς επίβλεψη.
- Διατηρείτε τη συσκευή και το καλώδιό της μακριά από παιδιά κάτω των 8 ετών.
- Αν το καλώδιο τροφοδοσίας έχει υποστεί ζημιά, πρέπει να αντικατασταθεί από τον κατασκευαστή, τον εξουσιοδοτημένο αντιπρόσωπο σέρβις ή από άτομα με παρόμοια ειδικευση, προς αποφυγή κινδύνου.
- ΠΡΟΕΙΔΟΠΟΙΗΣΗ: Βεβαιωθείτε ότι η συσκευή είναι απενεργοποιημένη πριν αντικαταστήσετε τη λάμπα, για την αποφυγή της πιθανότητας ηλεκτροπληξίας.
- ΠΡΟΕΙΔΟΠΟΙΗΣΗ: Η πραγματοποίηση εργασιών σέρβις ή επισκευής είναι επικίνδυνη από μη ειδικευμένα άτομα, συμπεριλαμβανομένης της αφαίρεσης του καλύμματος που παρέχει προστασία από την έκθεση στην ενέργεια μικροκυμάτων.
- ΠΡΟΕΙΔΟΠΟΙΗΣΗ: Τα υγρά και λοιπά τρόφιμα δεν πρέπει να θερμαίνονται σε σφραγισμένα δοχεία, αφού υπάρχει κίνδυνος έκρηξης.

GR

- Κατά τη θέρμανση φαγητού σε πλαστικά ή χάρτινα δοχεία, προσέχετε τον φούρνο, λόγω της πιθανότητας ανάφλεξης.
- Χρησιμοποιείτε μόνο σκεύη κατάλληλα για χρήση σε φούρνους μικροκυμάτων.
- Σε περίπτωση εκπομπής καπνού, απενεργοποιήστε ή αποσυνδέστε από την πρίζα τη συσκευή και διατηρήστε την πόρτα κλειστή, για να κατασταλούν τυχόν φλόγες.
- Η θέρμανση ροφημάτων σε φούρνο μικροκυμάτων μπορεί να προκαλέσει καθυστερημένη βράση, γι' αυτό θα πρέπει να προσέχετε κατά τον χειρισμό του δοχείου.
- Το περιεχόμενο μπιμπερό και βάζων βρεφικής τροφής πρέπει να αναδεύεται ή να ανακινείται, καθώς και να ελέγχεται η θερμοκρασία του πριν την κατανάλωση, για την αποφυγή εγκαυμάτων.
- Αυγά μέσα στο τσόφλι τους και ολόκληρα βραστά αυγά δεν πρέπει να θερμαίνονται σε φούρνους μικροκυμάτων, αφού υπάρχει κίνδυνος έκρηξης, ακόμη και μετά την ολοκλήρωση της θέρμανσής τους.
- Ο φούρνος πρέπει να καθαρίζεται τακτικά, αφαιρώντας τυχόν υπολείμματα τροφίμων.
- Εάν ο φούρνος δεν διατηρείται καθαρός, η επιφάνειά του μπορεί να υποστεί φθορά, επηρεάζοντας αρνητικά τη διάρκεια ζωής της συσκευής και οδηγώντας πιθανώς σε επικίνδυνες συνθήκες.
- Η συσκευή δεν πρέπει να τοποθετείται πίσω από πόρτες ντουλαπιών, για την αποφυγή υπερθέρμανσης. (Αυτό δεν ισχύει για εντοιχιζόμενες συσκευές με πορτάκι ντουλαπιών.)
- Χρησιμοποιείτε μόνο τον αισθητήρα θερμοκρασίας που συνιστάται για τον συγκεκριμένο φούρνο (για φούρνους που διαθέτουν δυνατότητα χρήσης αισθητήρα θερμοκρασίας).
- Ο φούρνος μικροκυμάτων δεν πρέπει να τοποθετείται σε ντουλάπι, εκτός εάν έχει δοκιμαστεί σε ντουλάπι.
- Ο φούρνος μικροκυμάτων πρέπει να χρησιμοποιείται με ανοικτή τη διακοσμητική πόρτα. (για φούρνους με διακοσμητική πόρτα)
- Η παρούσα συσκευή προορίζεται για οικιακή χρήση και παρόμοιες εφαρμογές, όπως:

- προσωπικό κουζίνας σε καταστήματα, γραφεία και άλλα επαγγελματικά περιβάλλοντα,
 - χρήση από πελάτες σε ξενοδοχεία, μοτέλ, πανσιόν και άλλα περιβάλλοντα οικιακού τύπου,
 - αγροικίες,
 - πανσιόν.
- Ο φούρνος μικροκυμάτων παρέχεται για τη θέρμανση τροφίμων και ροφημάτων. Η αποξήρανση τροφίμων ή το στέγνωμα ρούχων και η θέρμανση θερμοφόρων, παντοφλών, σφουγγαριών, υγρών πανιών και παρόμοιων αντικειμένων μπορεί να προκαλέσει κίνδυνο τραυματισμού, ανάφλεξης ή φωτιάς.
 - Δεν επιτρέπεται η τοποθέτηση μεταλλικών δοχείων τροφίμων και ροφημάτων στον φούρνο μικροκυμάτων.
 - Μην καθαρίζετε τη συσκευή με καθαριστή ατμού.
 - Η συσκευή προορίζεται για χρήση χωρίς εντοιχισμό.
 - Η πίσω επιφάνεια της συσκευής πρέπει να τοποθετηθεί σε τοίχο.
 - Οι συσκευές δεν προορίζονται για λειτουργία μέσω εξωτερικού χρονοδιακόπτη ή ξεχωριστού συστήματος τηλεχειρισμού.
 - Οι επιφάνειες της συσκευής μπορεί να θερμανθούν πολύ κατά τη λειτουργία της.

GR

▲ ΠΡΟΕΙΔΟΠΟΙΗΣΗ

Όταν η συσκευή λειτουργεί στη λειτουργία συνδυασμού, τα παιδιά πρέπει να χρησιμοποιούν τον φούρνο μόνο υπό την επίβλεψη ενηλίκων λόγω των θερμοκρασιών που δημιουργούνται.

**ΔΙΑΒΑΣΤΕ ΠΡΟΣΕΚΤΙΚΑ ΚΑΙ ΦΥΛΑΞΤΕ
ΤΙΣ ΟΔΗΓΙΕΣ ΓΙΑ ΜΕΛΛΟΝΤΙΚΗ ΧΡΗΣΗ
ΜΟΝΟ ΓΙΑ ΟΙΚΙΑΚΗ ΧΡΗΣΗ
(ΟΧΙ ΓΙΑ ΕΜΠΟΡΙΚΗ ΧΡΗΣΗ)**

ΑΠΑΙΤΕΙΤΑΙ ΓΕΙΩΣΗ ΓΙΑ ΤΗΝ ΑΠΟΦΥΓΗ ΚΙΝΔΥΝΟΥ ΤΡΑΥΜΑΤΙΣΜΩΝ

ΚΙΝΔΥΝΟΣ

Κίνδυνος ηλεκτροπληξίας:

Η επαφή με ορισμένα από τα εσωτερικά εξαρτήματα μπορεί να προκαλέσει σοβαρό τραυματισμό ή θάνατο. Μην αποσυναρμολογείτε τη συσκευή.

ΠΡΟΕΙΔΟΠΟΙΗΣΗ

Κίνδυνος ηλεκτροπληξίας:

Ακατάλληλη γείωση μπορεί να οδηγήσει σε ηλεκτροπληξία. Μην συνδέετε τη συσκευή στην πρίζα μέχρι να εγκατασταθεί και να γειωθεί σωστά.

Αυτή η συσκευή πρέπει να είναι γειωμένη. Σε περίπτωση ηλεκτρικού βραχυκυκλώματος, η γείωση μειώνει τον κίνδυνο ηλεκτροπληξίας, παρέχοντας έναν αγωγό διαφυγής ρεύματος. Η συσκευή περιλαμβάνει ένα καλώδιο με αγωγό γείωσης και βύσμα γείωσης. Το βύσμα πρέπει να συνδέεται σε πρίζα που είναι κατάλληλα εγκατεστημένη και γειωμένη.

Συμβουλευτείτε έναν ειδικευμένο ηλεκτρολόγο ή τεχνικό, εάν οι οδηγίες γείωσης δεν είναι πλήρως κατανοητές ή εάν έχετε αμφιβολίες σχετικά με την ορθή γείωση της συσκευής.

Εάν είναι απαραίτητη η χρήση καλωδίου προέκτασης, χρησιμοποιείτε μόνο καλώδια προέκτασης 3 συρμάτων.

1. Παρέχεται καλώδιο τροφοδοσίας μικρού μεγέθους για τη μείωση των κινδύνων που προκύπτουν σε περίπτωση σκοντάμματος ή παραπατήματος σε μεγαλύτερο καλώδιο.
2. Εάν χρησιμοποιείται μακρύ καλώδιο ή καλώδιο προέκτασης:
 - 1) Το ονομαστικό ρεύμα του καλωδίου ή του καλωδίου προέκτασης πρέπει να είναι τουλάχιστον ίσο με το ονομαστικό ρεύμα της συσκευής.

- 2) Το καλώδιο προέκτασης πρέπει να είναι 3κλωνο καλώδιο με γείωση.
- 3) Το μακρύ καλώδιο πρέπει να τοποθετείται με τρόπο που να μην εφάπτεται στον πάγκο ή την επιφάνεια του τραπεζιού, σε σημείο που θα μπορεί να παρασυρθεί από παιδιά ή να προκαλέσει τυχαίο παραπάτημα.

Η συσκευή αυτή ανήκει στην κατηγορία Β της ομάδας 2 του εξοπλισμού ISM. Στην ομάδα 2 περιλαμβάνεται όλος ο εξοπλισμός ISM (για βιομηχανική, εργαστηριακή ή ιατρική χρήση) στον οποίο παράγεται σκόπιμα ενέργεια ραδιοσυχνοτήτων ή/και χρησιμοποιείται με τη μορφή ηλεκτρομαγνητικής ακτινοβολίας για την επεξεργασία υλικών καθώς και ηλεκτροδιαβρωτικός εξοπλισμός.

Ο εξοπλισμός κατηγορίας Β είναι κατάλληλος για χρήση σε οικιακές εγκαταστάσεις και εγκαταστάσεις άμεσα συνδεδεμένες με δίκτυο τροφοδοσίας χαμηλής τάσης.

GR

ΚΑΘΑΡΙΣΜΟΣ

Αποσυνδέστε τη συσκευή από την παροχή τροφοδοσίας.

1. Καθαρίζετε το εσωτερικό του φούρνου μετά τη χρήση, χρησιμοποιώντας ένα ελαφρώς νωπό πανί.
2. Καθαρίζετε τα εξαρτήματα με τον συνηθισμένο τρόπο, με νερό και σαπούνι.
3. Το πλαίσιο και η σφράγιση της πόρτας, καθώς και τα παρακείμενα εξαρτήματα πρέπει να καθαρίζονται προσεκτικά με ένα νωπό πανί, όταν λερωθούν.
4. Μην χρησιμοποιείτε ισχυρά, αποξεστικά καθαριστικά ή αιχμηρές μεταλλικές βούρτσες για να καθαρίσετε το τζάμι της πόρτας του φούρνου, αφού μπορούν να γρατζουνίσουν την επιφάνεια, προκαλώντας θραύση του γυαλιού.

5. Συμβουλή καθαρισμού---Για ευκολότερο καθαρισμό των εσωτερικών τοιχωμάτων όπου υπάρχει περίπτωση επαφής με τα τρόφιμα: Τοποθετήστε μισό λεμόνι σε μια λεκάνη, προσθέστε 300ml νερού και θερμάνετε σε ισχύ μικροκυμάτων 100% για 10 λεπτά. Σκουπίστε τον φούρνο με ένα απαλό, στεγνό πανί.

ΣΚΕΎΗ

ΠΡΟΦΥΛΑΞΗ

Κίνδυνος τραυματισμού:

Η πραγματοποίηση εργασιών σέρβις ή επισκευής είναι επικίνδυνη από μη ειδικευμένα άτομα, συμπεριλαμβανομένης της αφαίρεσης του καλύμματος που παρέχει προστασία από την έκθεση στην ενέργεια μικροκυμάτων.

Δείτε τις οδηγίες στην ενότητα "Υλικά που μπορούν να χρησιμοποιηθούν στον φούρνο μικροκυμάτων και υλικά που πρέπει να αποφεύγονται στον φούρνο μικροκυμάτων."

Ορισμένα μη μεταλλικά μαγειρικά σκεύη ενδέχεται να μην είναι ασφαλή για χρήση σε φούρνο μικροκυμάτων. Εάν αμφιβάλλετε, μπορείτε να δοκιμάσετε το συγκεκριμένο σκεύος ακολουθώντας την παρακάτω διαδικασία.

Δοκιμή σκεύους:

- Γεμίστε ένα ασφαλές για φούρνο μικροκυμάτων δοχείο με 1 κούπα κρύο νερό (250ml) καθώς και το συγκεκριμένο σκεύος.
- Ενεργοποιήστε τον φούρνο σε μέγιστη ισχύ για 1 λεπτό.
- Αγγίξτε προσεκτικά το σκεύος. Εάν το κενό σκεύος είναι ζεστό, μην το χρησιμοποιείτε στον φούρνο μικροκυμάτων.
- Μην υπερβαίνετε τον χρόνο μαγειρέματος 1 λεπτού.

Υλικά που μπορούν να χρησιμοποιηθούν στον φούρνο μικροκυμάτων

Σκεύη	Παρατηρήσεις
Ταψί	Ακολουθήστε τις οδηγίες του κατασκευαστή. Η βάση του ταψιού πρέπει να απέχει τουλάχιστον 5mm (3/16 ίντσες) από τον περιστρεφόμενο δίσκο. Η λανθασμένη χρήση μπορεί να προκαλέσει θραύση του περιστρεφόμενου δίσκου.
Σερβίτσια	Μόνο όσα είναι κατάλληλα για χρήση σε φούρνο μικροκυμάτων. Ακολουθήστε τις οδηγίες του κατασκευαστή. Μην χρησιμοποιείτε ραγισμένα ή ξεφλουδισμένα πιάτα.
Γυάλινα βάζα	Αφαιρείτε πάντα το πώμα. Χρησιμοποιείτε τα μόνο για θέρμανση του φαγητού μέχρι να ζεσταθεί ελαφρώς. Τα περισσότερα γυάλινα βάζα δεν είναι ανθεκτικά στη θερμότητα και ενδέχεται να σπάσουν.
Γυαλικά	Χρησιμοποιείτε μόνο ανθεκτικά στη θερμότητα γυαλικά. Βεβαιωθείτε ότι δεν έχουν μεταλλικό περίγραμμα. Μην χρησιμοποιείτε ραγισμένα ή ξεφλουδισμένα πιάτα.
Σακούλες μαγειρικής στον φούρνο	Ακολουθήστε τις οδηγίες του κατασκευαστή. Μην τις κλείνετε με μεταλλικό δέσιμο. Δημιουργήστε οπές για να κυκλοφορεί ο ατμός.
Χάρτινα πιάτα και ποτήρια	Χρησιμοποιείτε τα μόνο για σύντομο μαγείρεμα/θέρμανση. Μην τα αφήνετε χωρίς επίβλεψη στον φούρνο.
Χαρτοπετσέτες	Χρησιμοποιήστε τις για να καλύπτετε τρόφιμα για αναθέρμανση και για απορρόφηση του λίπους. Χρησιμοποιείτε τις μόνο με επίβλεψη και για σύντομο μαγείρεμα.
Λαδόκολλα	Χρησιμοποιείτε την ως κάλυμμα για να αποφύγετε τα πιτσιλίσματα ή για μαγείρεμα στον ατμό.
Πλαστικό	Μόνο όσα είναι κατάλληλα για χρήση σε φούρνο μικροκυμάτων. Ακολουθήστε τις οδηγίες του κατασκευαστή. Πρέπει να φέρουν την επισήμανση "Κατάλληλα για φούρνο μικροκυμάτων". Ορισμένα πλαστικά δοχεία ενδέχεται να μαλακώσουν, καθώς θερμαίνεται το φαγητό στο εσωτερικό τους. Σε "σακούλες βρασίματος" και αεροστεγείς πλαστικές σακούλες πρέπει να ανοίγονται οπές ή τρύπες, σύμφωνα με τις οδηγίες της συσκευασίας.
Πλαστική μεμβράνη	Μόνο όσα είναι κατάλληλα για χρήση σε φούρνο μικροκυμάτων. Χρησιμοποιείτε την για να καλύπτετε το φαγητό κατά τη διάρκεια του μαγειρέματος, ώστε να διατηρεί την υγρασία του. Μην αφήνετε την πλαστική μεμβράνη να έρχεται σε επαφή με το φαγητό.
Θερμόμετρα	Μόνο τα ασφαλή για χρήση σε φούρνο μικροκυμάτων (θερμόμετρα για κρέας και γλυκά).
Κηρόχαρτο	Χρησιμοποιείτε το ως κάλυμμα για να αποφεύγετε τα πιτσιλίσματα και να διατηρείτε την υγρασία.

GR

Υλικά που πρέπει να αποφεύγονται στον φούρνο μικροκυμάτων

Σκεύη	Παρατηρήσεις
Δίσκοι αλουμινίου	Ενδέχεται να προκληθεί τόξο. Μεταφέρετε το φαγητό σε ένα κατάλληλο για χρήση σε φούρνο μικροκυμάτων σκεύος.
Κουτί φαγητού με μεταλλική λαβή	Ενδέχεται να προκληθεί τόξο. Μεταφέρετε το φαγητό σε ένα κατάλληλο για χρήση σε φούρνο μικροκυμάτων σκεύος.
Σκεύη από μέταλλο ή σκεύη με μεταλλική επένδυση	Το μέταλλο προστατεύει το φαγητό από την ενέργεια των μικροκυμάτων. Το μεταλλικό χείλος μπορεί να προκαλέσει τόξο.
Μεταλλικά δεσίματα	Ενδέχεται να προκαλέσουν τόξο και φωτιά στον φούρνο.
Χαρτοσακούλες	Ενδέχεται να προκαλέσουν φωτιά στον φούρνο.
Φελιζόλ	Το φελιζόλ μπορεί να λιώσει ή να μολύνει τα υγρά στο εσωτερικό του, σε περίπτωση έκθεσης σε υψηλή θερμοκρασία.
Ξύλο	Το ξύλο στεγνώνει όταν χρησιμοποιείται σε φούρνο μικροκυμάτων και μπορεί να ραγίσει ή να σπάσει.

ΠΡΟΔΙΑΓΡΑΦΕΣ

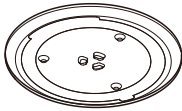
Μοντέλο	MAG25XF
Ονομαστική τάση/συχνότητα	230-240 V~ 50 Hz
Ονομαστική είσοδος μικροκυμάτων	1250 W
Ονομαστική έξοδος μικροκυμάτων	800 W
Ονομαστική είσοδος μικροκυμάτων (γκριλ)	1000 W

ΕΠΙΣΚΟΠΗΣΗ ΠΡΟΪΟΝΤΟΣ

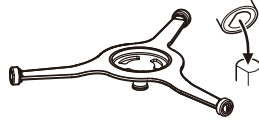
Ονόματα εξαρτημάτων και αξεσουάρ φούρνου

Σε περίπτωση διαφορών μεταξύ της συσκευής και των εικόνων στο παρόν εγχειρίδιο, υπερισχύει το προϊόν.

Αφαιρέστε τον φούρνο και όλα τα υλικά από το χαρτοκιβώτιο και το εσωτερικό του φούρνου. Ο φούρνος συνοδεύεται από τα παρακάτω εξαρτήματα:



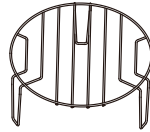
Γυάλινος δίσκος



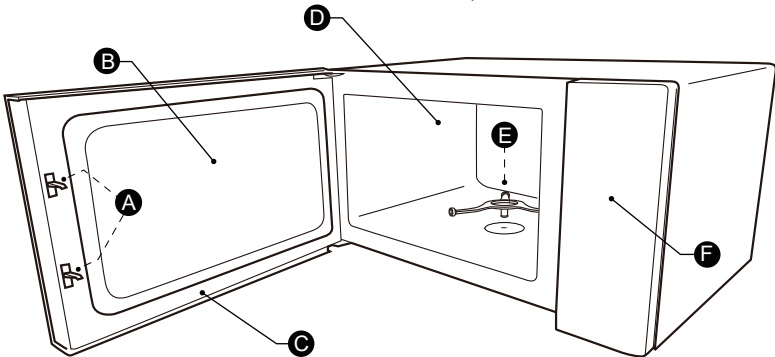
Διάταξη δακτυλίου περιστρεφόμενου δίσκου



Εγχειρίδιο οδηγιών



Σχάρα γκριλ (Δεν μπορεί να χρησιμοποιηθεί στη λειτουργία μικροκυμάτων και πρέπει να τοποθετείται πάνω στον γυάλινο δίσκο.)



- A) Σύστημα κλειδώματος ασφαλείας
- B) Παράθυρο παρατήρησης
- C) Διάταξη πόρτας

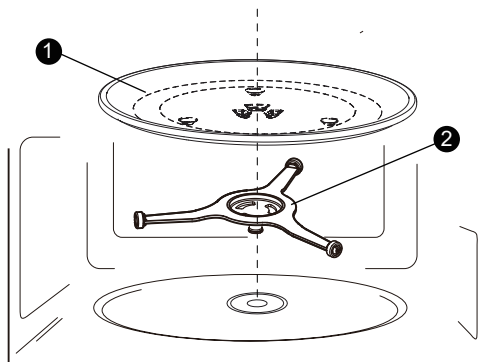
- D) Θάλαμος φούρνου
- E) Διάταξη δακτυλίου περιστρεφόμενου δίσκου
- F) Πίνακας χειρισμού

GR

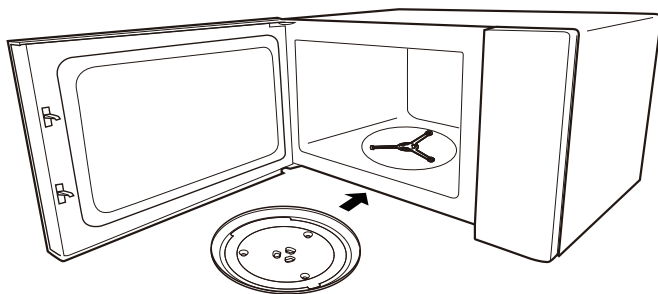
ΕΠΙΣΚΟΠΗΣΗ ΠΡΟΪΟΝΤΟΣ

Ονόματα εξαρτημάτων και αξεσουάρ φούρνου

Καθαρισμός του θαλάμου μαγειρέματος και τοποθέτηση του περιστρεφόμενου δίσκου στη θέση του. Για νέες εγκαταστάσεις, βεβαιωθείτε ότι έχει αφαιρεθεί η ταινία συσκευασίας και αποστολής. Προτού χρησιμοποιήσετε τη συσκευή για να προετοιμάσετε φαγητό για πρώτη φορά, πρέπει να τοποθετήσετε τον περιστρεφόμενο δίσκο σωστά στη θέση του. Πρέπει να καθαρίσετε τον θάλαμο μαγειρέματος και τα αξεσουάρ.



- 1) Γυάλινος δίσκος
- 2) Διάταξη δακτυλίου περιστρεφόμενου δίσκου



ΕΠΙΣΗΜΑΝΣΕΙΣ

1. Μην χρησιμοποιείτε ποτέ τη συσκευή χωρίς τον περιστρεφόμενο δίσκο. Βεβαιωθείτε ότι ο δίσκος έχει τοποθετηθεί σωστά. Ο δίσκος μπορεί να περιστραφεί δεξιόστροφα ή αριστερόστροφα.
2. Μην τοποθετείτε ποτέ ανάποδα τον γυάλινο δίσκο. Ο γυάλινος δίσκος δεν πρέπει ποτέ να περιορίζεται.
3. Ο γυάλινος δίσκος και η διάταξη δακτυλίου περιστρεφόμενου δίσκου πρέπει να χρησιμοποιούνται πάντα κατά το μαγείρεμα.
4. Όλα τα τρόφιμα και τα δοχεία τροφίμων πρέπει να τοποθετούνται πάντα στον γυάλινο δίσκο για μαγείρεμα.
5. Μην περιορίζετε ποτέ την κίνηση του περιστρεφόμενου δίσκου.
6. Σε περίπτωση που ο γυάλινος δίσκος ή η διάταξη δακτυλίου περιστρεφόμενου δίσκου ραγίσουν ή σπάσουν, επικοινωνήστε με το πλησιέστερο εξουσιοδοτημένο κέντρο σέρβις.

ΕΓΚΑΤΑΣΤΑΣΗ ΠΡΟΪΟΝΤΟΣ

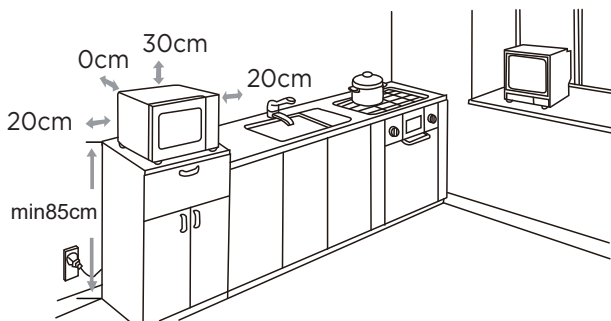
Εγκατάσταση σε πάγκο

Αφαιρέστε όλα τα υλικά συσκευασίας και τα εξαρτήματα. Επιθεωρήστε τον φούρνο για τυχόν ζημιές, όπως χτυπήματα ή σπασμένη πόρτα. Μην εγκαθιστάτε αν ο φούρνος παρουσιάζει φθορά.

Ντουλάπι: Αφαιρέστε τυχόν προστατευτική μεμβράνη που βρίσκεται στην επιφάνεια του ντουλαπιού του φούρνου μικροκυμάτων. Μην αφαιρέσετε το κάλυμμα που είναι προσαρτημένο στον θάλαμο του φούρνου για την προστασία του μάγνητρου.

ΕΓΚΑΤΑΣΤΑΣΗ

1. Επιλέξτε μια επίπεδη επιφάνεια που παρέχει αρκετό ελεύθερο χώρο για τις οπές εισόδου ή/και εξόδου αέρα.
 - Το ελάχιστο ύψος εγκατάστασης είναι 85cm.
 - Η πίσω επιφάνεια της συσκευής πρέπει να τοποθετηθεί σε τοίχο. Αφήστε ελάχιστο διάκενο 30 cm πάνω από τον φούρνο. Απαιτείται ελάχιστο διάκενο 20 cm μεταξύ του φούρνου και τυχόν παρακείμενων τοίχων.
 - Μην αφαιρείτε τα πόδια από το κάτω μέρος του φούρνου.
 - Τυχόν μπλοκάρισμα των οπών εισόδου ή/και εξόδου αέρα ενδέχεται να προκαλέσει ζημιά στον φούρνο.
 - Τοποθετήστε τον φούρνο όσο το δυνατόν πιο μακριά από ραδιόφωνα και τηλεοράσεις. Η λειτουργία του φούρνου μικροκυμάτων ενδέχεται να προκαλέσει παρεμβολές στο σήμα ραδιοφώνου ή τηλεόρασης.



2. Τοποθετήστε το καλώδιο τροφοδοσίας στην πρίζα.

Βεβαιωθείτε ότι η τάση και η συχνότητα είναι ίδια με την τάση και τη συχνότητα που αναγράφονται στην ετικέτα χαρακτηριστικών.

▲ ΠΡΟΕΙΔΟΠΟΙΗΣΗ

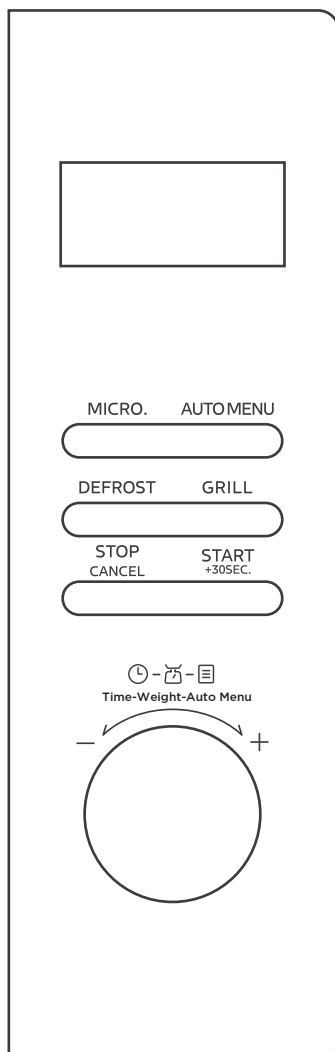
Μην εγκαθιστάτε τον φούρνο πάνω από εστία ή άλλη συσκευή που παράγει θερμότητα. Σε περίπτωση εγκατάστασης κοντά ή πάνω από πηγή θερμότητας, ο φούρνος ενδέχεται να υποστεί ζημιά, στην οποία περίπτωση η εγγύηση θα ακυρωθεί.



Οι προσβάσιμες επιφάνειες ενδέχεται να υπερθερμανθούν κατά τη διάρκεια της λειτουργίας της συσκευής.

ΛΕΙΤΟΥΡΓΙΑ

Πίνακας ελέγχου



GR

ΛΕΙΤΟΥΡΓΙΑ

1. Μαγείρεμα με μικροκύματα

Αφού συνδέσετε τον φούρνο στην τροφοδοσία, εμφανίζεται η ένδειξη «0:00» στην οθόνη. Ακούγεται ο ήχος του κουδουνιού.

Διατίθενται 5 επίπεδα ισχύος.

Ισχύς	100%	80%	50%	30%	10%
Οθόνη	P100	P80	P50	P30	P10

- (1) Πατήστε μία φορά το πλήκτρο «MICRO.» και, στη συνέχεια, θα εμφανιστεί η ένδειξη «P100».
- (2) Πατήστε επανειλημμένα το πλήκτρο «MICRO.» ή στρέψτε τον περιστροφικό διακόπτη, για να ρυθμίσετε το επίπεδο ισχύος.
Τα 5 επίπεδα ισχύος είναι διαθέσιμα.
- (3) Πατήστε « $\overset{\text{START}}{+30\text{SEC.}}$ » για επιβεβαίωση.
- (4) Στρέψτε τον περιστροφικό διακόπτη για να ορίσετε τον χρόνο μαγειρέματος. Η μέγιστη τιμή χρόνου είναι "95:00".
- (5) Πατήστε το πλήκτρο « $\overset{\text{START}}{+30\text{SEC.}}$ » για να ξεκινήσει το μαγείρεμα.

● Επισημάνσεις

- (1) Το άνοιγμα της πόρτας του φούρνου ή το πάτημα του πλήκτρου « $\overset{\text{STOP}}{\text{CANCEL}}$ » κατά τη διάρκεια της λειτουργίας διακόπτει την τρέχουσα λειτουργία.
- (2) Ο χρόνος ρυθμίζεται σε βήματα ως εξής:
0---1 λεπτά : 5 δευτερόλεπτα
1---5 λεπτά : 10 δευτερόλεπτα
5---10 λεπτά : 30 δευτερόλεπτα
10 ---30 λεπτά : 1 λεπτό
30---95 λεπτά : 5 λεπτά

2. Ψήσιμο στο γκριλ

- (1) Πατήστε μία φορά το πλήκτρο «GRILL» και, στη συνέχεια, θα εμφανιστεί η ένδειξη «G-1».
- (2) Πατήστε « $\overset{\text{START}}{+30\text{SEC.}}$ » για επιβεβαίωση.
- (3) Στρέψτε τον περιστροφικό διακόπτη για να ορίσετε τον χρόνο μαγειρέματος. Η μέγιστη τιμή χρόνου είναι "95:00".
- (4) Πατήστε το πλήκτρο « $\overset{\text{START}}{+30\text{SEC.}}$ » για να ξεκινήσει το μαγείρεμα.

● Επισήμανση

Κατά τη διάρκεια του ψήσιματος στο γκριλ, θα ηχήσει το κουδούνι για να σας υπενθυμίσει να γυρίσετε το φαγητό από την άλλη πλευρά.

ΛΕΙΤΟΥΡΓΙΑ

Εάν δεν πραγματοποιηθεί καμία ενέργεια, ο φούρνος θα συνεχίσει να λειτουργεί.

3. Απόψυξη βάσει βάρους

- (1) Πατήστε μία φορά το πλήκτρο «DEFROST» και, στη συνέχεια, θα εμφανιστεί στην οθόνη η ένδειξη «dEF1».
- (2) Στρέψτε τον περιστροφικό διακόπτη για να ορίσετε το βάρος του τροφίμου. Το εύρος βάρους είναι 100-2000 g.
- (3) Πατήστε «**START**_{+30SEC.}» για εκκίνηση της απόψυξης.

🔔 Επισήμανση

Ο βομβητής θα ηχήσει για να σας υπενθυμίσει να γυρίσετε το φαγητό κατά τη διάρκεια της απόψυξης. Εάν δεν πραγματοποιηθεί καμία ενέργεια, ο φούρνος θα συνεχίσει να λειτουργεί.

4. Απόψυξη βάσει χρόνου

- (1) Πατήστε δύο φορές το πλήκτρο «DEFROST» και, στη συνέχεια, θα εμφανιστεί στην οθόνη η ένδειξη «dEF2».
- (2) Στρέψτε τον περιστροφικό διακόπτη για να ορίσετε τον χρόνο απόψυξης. Η μέγιστη τιμή χρόνου είναι "95:00".
- (3) Πατήστε «**START**_{+30SEC.}» για εκκίνηση της απόψυξης.

🔔 Επισημάνσεις

- (1) Ο βομβητής θα ηχήσει για να σας υπενθυμίσει να γυρίσετε το φαγητό κατά τη διάρκεια της απόψυξης. Εάν δεν πραγματοποιηθεί καμία ενέργεια, ο φούρνος θα συνεχίσει να λειτουργεί.
- (2) Η ισχύς απόψυξης είναι P30 και δεν μπορεί να αλλάξει.

5. Γρήγορο μαγείρεμα

- (1) Στην κατάσταση αναμονής, στρέψτε τον περιστροφικό διακόπτη προς τα αριστερά για να ρυθμίσετε έναν χρόνο μαγειρέματος στο επίπεδο ισχύος 100%.
Συνεχίστε να στρέφετε τον περιστροφικό διακόπτη για να προσαρμόσετε τον χρόνο μαγειρέματος. Έπειτα, πατήστε το πλήκτρο «**START**_{+30SEC.}» για εκκίνηση του μαγειρέματος. Η μέγιστη τιμή χρόνου είναι "95:00".
- (2) Στην κατάσταση αναμονής, πατήστε το πλήκτρο «**START**_{+30SEC.}» για να μαγειρέψετε το φαγητό με επίπεδο ισχύος 100% για 30 δευτερόλεπτα. Κάθε πάτημα στο ίδιο πλήκτρο αυξάνει τον χρόνο κατά 30 δευτερόλεπτα, ενώ η μέγιστη τιμή χρόνου είναι «95:00».

🔔 Επισήμανση

Στην περίπτωση μαγειρέματος και απόψυξης βάσει χρόνου, κάθε επιπλέον πάτημα του πλήκτρου **START**_{+30SEC.} μπορεί να αυξήσει τον χρόνο μαγειρέματος κατά 30 δευτερόλεπτα (εκτός από την απόψυξη βάσει βάρους, στο αυτόματο μενού και στο πρώτο στάδιο μαγειρέματος πολλαπλών σταδίων).

ΛΕΙΤΟΥΡΓΙΑ

6. Συνδυαστικό μαγείρεμα

- (1) Πατήστε μία φορά το πλήκτρο «GRILL» και, στη συνέχεια, θα εμφανιστεί η ένδειξη «G-1».
- (2) Πατήστε επανειλημμένα το πλήκτρο «GRILL» ή γυρίστε τον περιστροφικό διακόπτη και θα εμφανιστούν οι ενδείξεις «C-1», «C-2».
- (3) Πατήστε «**START**_{+30SEC.}» για επιβεβαίωση.
- (4) Στρέψτε τον περιστροφικό διακόπτη για να ορίσετε τον χρόνο μαγειρέματος. Η μέγιστη τιμή χρόνου είναι "95:00".
- (5) Πατήστε το πλήκτρο «**START**_{+30SEC.}» για να ξεκινήσει το μαγείρεμα.

Πίνακας συνδυαστικού μαγειρέματος

Λειτουργία	Οθόνη	Ισχύς μικροκυμάτων	Ισχύς γκριλ
Συνδ. 1	C-1	55%	45%
Συνδ. 2	C-2	36%	64%

7. Μαγείρεμα πολλαπλών σταδίων

Παράδειγμα: Απόψυξη τροφίμου για 5 λεπτά και, στη συνέχεια, μαγείρεμα με 80% ισχύ μικροκυμάτων για 7 λεπτά.

- (1) Πατήστε δύο φορές το πλήκτρο «DEFROST» και, στη συνέχεια, θα εμφανιστεί στην οθόνη η ένδειξη «dEF2».
- (2) Στρέψτε τον περιστροφικό διακόπτη για να ορίσετε τον επιθυμητό χρόνο απόψυξης 5 λεπτών.
- (3) Πατήστε μία φορά το πλήκτρο «MICRO.» και, στη συνέχεια, θα εμφανιστεί η ένδειξη «P100».
- (4) Πατήστε ξανά το πλήκτρο «MICRO.» ή στρέψτε τον περιστροφικό διακόπτη για να ρυθμίσετε το επίπεδο ισχύος στο P80.
- (5) Πατήστε το πλήκτρο «**START**_{+30SEC.}» για να επιβεβαιώσετε την ισχύ των μικροκυμάτων.
- (6) Στρέψτε τον περιστροφικό διακόπτη για να ορίσετε χρόνο μαγειρέματος 7 λεπτών.
- (7) Πατήστε το πλήκτρο «**START**_{+30SEC.}» για να ξεκινήσει το μαγείρεμα.

● Επισημάνσεις

- (1) Μπορούν να ρυθμιστούν δύο στάδια μαγειρέματος στο μαγείρεμα πολλαπλών σταδίων.
- (2) Αν ορίσετε τη λειτουργία απόψυξης, θα λειτουργήσει αυτόματα στο πρώτο στάδιο.
- (3) Οι επιλογές Χρονόμετρο κουζίνας και Αυτόματο μενού δεν μπορούν να οριστούν ως ένα από τα στάδια πολλαπλού μαγειρέματος.

ΛΕΙΤΟΥΡΓΙΑ

8. Αυτόματο μενού

- (1) Πατήστε μία φορά το πλήκτρο «AUTO MENU» ή γυρίστε τον περιστροφικό διακόπτη δεξιά και θα εμφανιστεί η ένδειξη «A-01».
- (2) Πατήστε επανειλημμένα το πλήκτρο «AUTO MENU» ή γυρίστε τον περιστροφικό διακόπτη για να επιλέξετε το μενού που χρειάζεστε.

Διατίθενται 9 αυτόματα μενού.

- (3) Πατήστε « $\overset{\text{START}}{+30\text{SEC.}}$ » για επιβεβαίωση.
- (4) Στρέψτε τον περιστροφικό διακόπτη για να ορίσετε το βάρος του τροφίμου.
- (5) Πατήστε το πλήκτρο « $\overset{\text{START}}{+30\text{SEC.}}$ » για να ξεκινήσει το μαγείρεμα.

Πίνακας αυτόματου μενού

Μενού	Βάρος	Θθόνη	Ισχύς	
A-01 Auto Reheat (Αυτόματη αναθέρμανση)	200g	200	P100	
	400g	400		
A-02 Κρεατικά	250g	250		
	350g	350		
	450g	450		
A-03 Φρέσκα λαχανικά	200g	200		
	300g	300		
	400g	400		
A-04 Ζυμαρικά	50 g	50		P80
	100 g	100		
A-05 Πατάτες	1 (230 g)	1		P100
	2 (460 g)	2		
	3 (690 g)	3		
A-06 Ψάρι	250g	250	P80	
	350g	350		
	450g	450		

GR

ΛΕΙΤΟΥΡΓΙΑ

Μενού	Βάρος	Οθόνη	Ισχύς
A-07 Αφεψήματα	1 φλιτζάνι (120 ml)	1	P100
	2 φλιτζάνια (240 ml)	2	
	3 φλιτζάνια (360 ml)	3	
A-08 Ποπ κορν	50 g	50	
	100 g	100	
A-09 Ψωμί	50 g	50	P50
	100 g	100	
	150g	150	
	200g	200	
	250g	250	P100+P80+P50
	350g	350	
	500g	500	
	700 g	700	

GR

9. Λειτουργία κλειδώματος για παιδιά

Μπορείτε να χρησιμοποιήσετε αυτή τη λειτουργία για να αποτρέψετε την τυχαία ενεργοποίηση του φούρνου από παιδιά.

Για να ενεργοποιήσετε το κλειδωμα:

Στην κατάσταση αναμονής, πατήστε παρατεταμένα το πλήκτρο «^{STOP}_{CANCEL}» για τρία δευτερόλεπτα. Ακούγεται ένα μακρόσυρτο ηχητικό σήμα και εμφανίζεται η ένδειξη «[]».

Για να απενεργοποιήσετε το κλειδωμα:

Στην κατάσταση κλειδώματος, πατήστε παρατεταμένα το πλήκτρο «^{STOP}_{CANCEL}» για τρία δευτερόλεπτα. Θα ακουστεί ένα μακρόσυρτο ηχητικό σήμα.

10. Λειτουργία πληροφοριών

- (1) Στην κατάσταση μαγειρέματος με μικροκύματα, πατήστε το πλήκτρο «MICRO.» για να δείτε το επίπεδο ισχύος. Εμφανίζεται για τρία δευτερόλεπτα.
- (2) Στην κατάσταση μαγειρέματος στο γκριλ και συνδυαστικού μαγειρέματος, πατήστε το πλήκτρο «GRILL» για να μάθετε ποιος είναι ο τρόπος μαγειρέματος. Εμφανίζεται για τρία δευτερόλεπτα.

ΑΝΤΙΜΕΤΩΠΙΣΗ ΠΡΟΒΛΗΜΑΤΩΝ


Φυσιολογική λειτουργία

Ο φούρνος μικροκυμάτων κάνει παρεμβολές στην τηλεοπτική λήψη	Η ραδιοφωνική και η τηλεοπτική λήψη ενδέχεται να δέχονται παρεμβολές κατά τη λειτουργία του φούρνου μικροκυμάτων. Αυτές οι παρεμβολές είναι παρόμοιες με εκείνες των μικρών ηλεκτρικών συσκευών, όπως μίξερ, ηλεκτρική σκούπα και ηλεκτρικός ανεμιστήρας. Αυτό είναι φυσιολογικό.
Χαμηλός φωτισμός φούρνου	Κατά το μαγείρεμα με χαμηλή ισχύ μικροκυμάτων, ο φωτισμός του φούρνου ενδέχεται να γίνει χαμηλός. Αυτό είναι φυσιολογικό.
Συσσωρεύεται ατμός στην πόρτα και εξέρχεται θερμός αέρας από τις οπές αερισμού	Κατά το μαγείρεμα, ενδέχεται να εξέλθει ατμός από το φαγητό. Το μεγαλύτερο μέρος του ατμού εξέρχεται από τις οπές αερισμού. Κάποια ποσότητα του ατμού ενδέχεται ωστόσο να συγκεντρωθεί σε δροσερό σημείο, όπως η πόρτα του φούρνου. Αυτό είναι φυσιολογικό.
Ο φούρνος ξεκίνησε κατά λάθος, χωρίς τρόφιμα στο εσωτερικό.	Δεν επιτρέπεται να χρησιμοποιείτε τη συσκευή χωρίς τρόφιμα στο εσωτερικό. Κάτι τέτοιο είναι πολύ επικίνδυνο

GR

Πρόβλημα	Πιθανή αιτία	Αποκατάσταση
Ο φούρνος δεν τίθεται σε λειτουργία.	(1) Το καλώδιο τροφοδοσίας δεν έχει συνδεθεί σωστά στην πρίζα.	Αποσυνδέστε. Στη συνέχεια, συνδέστε ξανά μετά από 10 δευτερόλεπτα.
	(2) Κάηκε η ασφάλεια ή έπεσε ο αυτόματος διακόπτης.	Αντικαταστήστε την ασφάλεια ή επαναφέρετε τον αυτόματο διακόπτη (επισκευή που πρέπει να διενεργείται από επαγγελματικό προσωπικό της εταιρείας μας)
	(3) Πρόβλημα στην πρίζα.	Δοκιμάστε την πρίζα με άλλες ηλεκτρικές συσκευές.
Ο φούρνος δεν θερμαίνει.	(4) Η πόρτα δεν έχει κλείσει σωστά.	Κλείστε σωστά την πόρτα.

ΕΜΠΟΡΙΚΑ ΣΗΜΑΤΑ, ΠΝΕΥΜΑΤΙΚΑ ΔΙΚΑΙΩΜΑΤΑ ΚΑΙ ΝΟΜΙΚΗ ΔΗΛΩΣΗ

Το λογότυπο, το λεκτικό σήμα, η εμπορική ονομασία, το εμπορικό σήμα  και όλες οι εκδόσεις τους αποτελούν πολύτιμα περιουσιακά στοιχεία του ομίλου Midea και/ή των θυγατρικών της («Midea»), επί των οποίων η Midea κατέχει τα εμπορικά σήματα, τα πνευματικά δικαιώματα και άλλα δικαιώματα πνευματικής ιδιοκτησίας, καθώς και όλη την υπεραξία που προκύπτει από τη χρήση οποιουδήποτε μέρους ενός εμπορικού σήματος της Midea. Η χρήση του εμπορικού σήματος της Midea για εμπορικούς σκοπούς χωρίς την προηγούμενη γραπτή συγκατάθεση της Midea ενδέχεται να συνιστά παραβίαση εμπορικού σήματος ή αθέμιτο ανταγωνισμό κατά παράβαση των σχετικών νόμων.

Το παρόν εγχειρίδιο δημιουργήθηκε από τη Midea και η Midea διατηρεί όλα τα πνευματικά δικαιώματα αυτού. Καμία οντότητα ή φυσικό πρόσωπο δεν μπορεί να χρησιμοποιήσει, να αντιγράψει, να τροποποιήσει, να διανείμει εν όλω ή εν μέρει το παρόν εγχειρίδιο ή να το συνδυάσει ή να το πωλήσει με άλλα προϊόντα χωρίς την προηγούμενη γραπτή συγκατάθεση της Midea.

GR

Όλες οι περιγραφόμενες λειτουργίες και οδηγίες ήταν ενημερωμένες κατά τη στιγμή της εκτύπωσης του παρόντος εγχειριδίου. Ωστόσο, το πραγματικό προϊόν ενδέχεται να διαφέρει λόγω βελτιωμένων λειτουργιών και σχεδίων.

ΑΠΟΡΡΙΨΗ ΚΑΙ ΑΝΑΚΥΚΛΩΣΗ

Σημαντικές οδηγίες για το περιβάλλον

Συμμόρφωση με την οδηγία ΑΗΗΕ και απόρριψη του προϊόντος:

Αυτό το προϊόν συμμορφώνεται με την οδηγία ΑΗΗΕ της ΕΕ (2012/19/ΕΕ). Αυτό το προϊόν φέρει σύμβολο ταξινόμησης για τα απόβλητα ηλεκτρικού και ηλεκτρονικού εξοπλισμού (ΑΗΗΕ).

Αυτό το σύμβολο υποδεικνύει ότι το προϊόν δεν πρέπει να απορρίπτεται μαζί με άλλα οικιακά απόβλητα στο τέλος της διάρκειας ζωής του. Η χρησιμοποιημένη συσκευή πρέπει να επιστραφεί σε επίσημο σημείο συλλογής για την ανακύκλωση ηλεκτρικών ηλεκτρονικών συσκευών. Για να βρείτε αυτά τα συστήματα συλλογής, επικοινωνήστε με τις τοπικές αρχές ή με τον έμπορο λιανικής πώλησης από όπου αγοράστηκε το προϊόν. Κάθε νοικοκυριό διαδραματίζει σημαντικό ρόλο στην ανάκτηση και ανακύκλωση παλαιών συσκευών. Η κατάλληλη απόρριψη της χρησιμοποιημένης συσκευής συμβάλλει στην πρόληψη πιθανών αρνητικών συνεπειών για το περιβάλλον και την ανθρώπινη υγεία.



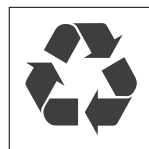
Συμβατότητα με Οδηγία RoHS

Το προϊόν που αγοράσατε συμμορφώνεται με την οδηγία RoHS της ΕΕ (2011/65/ΕΕ). Δεν περιέχει επιβλαβή και απαγορευμένα υλικά που καθορίζονται στην Οδηγία.

GR

Πληροφορίες συσκευασίας

Τα υλικά συσκευασίας του προϊόντος κατασκευάζονται από ανακυκλώσιμα υλικά σύμφωνα με τους εθνικούς περιβαλλοντικούς κανονισμούς της χώρας μας. Μην απορρίπτετε τα υλικά συσκευασίας μαζί με τα οικιακά ή άλλα απορρίμματα. Να τα μεταφέρετε στα σημεία συλλογής υλικών συσκευασίας που έχουν οριστεί από τις τοπικές αρχές.



ΕΙΔΟΠΟΙΗΣΗ ΓΙΑ ΤΗΝ ΠΡΟΣΤΑΣΙΑ ΤΩΝ ΔΕΔΟΜΕΝΩΝ

Για την παροχή των υπηρεσιών που έχουν συμφωνηθεί με τον πελάτη, συμφωνούμε να συμμορφωνόμαστε χωρίς περιορισμούς με όλες τις διατάξεις της ισχύουσας νομοθεσίας περί προστασίας δεδομένων της εκάστοτε χώρας στην οποία παρέχονται οι υπηρεσίες, καθώς και, κατά περίπτωση, με τον γενικό κανονισμό της ΕΕ για την προστασία δεδομένων (ΓΚΠΔ).

Σε γενικές γραμμές, η επεξεργασία δεδομένων μας γίνεται για την εκπλήρωση των συμβατικών μας υποχρεώσεων μαζί σας και για λόγους ασφάλειας των προϊόντων, για τη διασφάλιση των δικαιωμάτων σας σε σχέση με ερωτήσεις εγγύησης και καταχώρισης προϊόντων. Σε ορισμένες περιπτώσεις, αλλά μόνο εφόσον διασφαλίζεται η κατάλληλη προστασία των δεδομένων, τα προσωπικά δεδομένα ενδέχεται να διαβιβαστούν σε παραλήπτες που βρίσκονται εκτός του Ευρωπαϊκού Οικονομικού Χώρου.

Περαιτέρω πληροφορίες παρέχονται κατόπιν αιτήματος. Μπορείτε να επικοινωνήσετε με τον υπεύθυνο προστασίας δεδομένων της εταιρείας μας μέσω της διεύθυνσης

GR MideaDPO@midea.com. Για να ασκήσετε τα δικαιώματά σας, όπως το δικαίωμα εναντίωσης στην επεξεργασία των προσωπικών σας δεδομένων για σκοπούς άμεσου μάρκετινγκ, επικοινωνήστε μαζί μας μέσω της διεύθυνσης **MideaDPO@midea.com**. Για περισσότερες πληροφορίες, σαρώστε τον κωδικό QR.

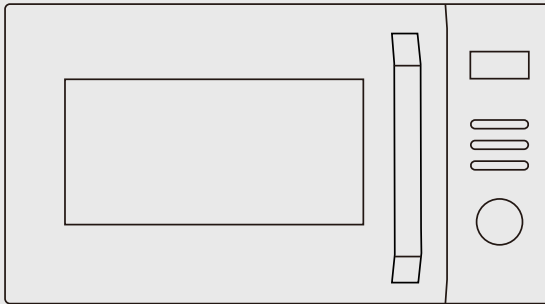


make yourself at home



www.midea.com

© Midea 2024, με επιφύλαξη παντός δικαιώματος



MIKROHULLÁMÚ SÜTŐ

HASZNÁLATI UTASÍTÁS

MAG25XF

Figyelmeztetés: A termék használata előtt olvassa el figyelmesen ezt az útmutatót és őrizze meg későbbi felhasználásra. A termék folyamatos fejlesztése miatt a kialakítás és a specifikáció előzetes értesítés nélkül változhat. A részletekkel kapcsolatban keresse a forgalmazót vagy a gyártót.
A fenti ábra csak tájékoztató jellegű. A készülék tényleges megjelenését vegye alapul.

KÖSZÖNŐLEVÉL

Köszönjük, hogy a Midea-t választotta! Mielőtt használná az új Midea készülékét, olvassa el figyelmesen ezt az útmutatót, hogy tudja, hogyan működtetheti biztonságosan az új készüléke által kínált funkciókat.

TARTALOM

KÖSZÖNŐLEVÉL	02
BIZTONSÁGI UTASÍTÁSOK	03
MŰSZAKI ADATOK	12
A TERMÉK ÁTTEKINTÉSE	13
A TERMÉK TELEPÍTÉSE	15
MŰKÖDTETÉS	17
HIBAELHÁRÍTÁS	23
VÉDJEJYEK, SZERZŐI JOGOK ÉS JOGI NYILATKOZAT	24
KISELEJTEZÉS ÉS ÚJRAHASZNOSÍTÁS	25
ADATVÉDELMI KÖZLEMÉNY	26

BIZTONSÁGI UTASÍTÁSOK

Rendeltetésszerű használat

A következő biztonsági irányelvek célja a készülék nem biztonságos vagy helytelen használatából adódó váratlan veszélyek vagy sérülések megelőzése. A készülék kézhez vételekor ellenőrizze, hogy a készülék és a csomagolása is sértetlen, így a készülék biztonságosan üzembe helyezhető. Ha bármilyen sérülést tapasztal, vegye fel a kapcsolatot a kereskedővel vagy a forgalmazóval. Felhívjuk a figyelmét, hogy a saját biztonsága érdekében a készüléken nem végezhet módosításokat vagy átalakításokat. A nem rendeltetésszerű használattal veszélyes helyzetet idézhet elő, és elveszti a garanciát.

Jelmagyarázat



Veszély

Ez a szimbólum az emberi életre vagy egészségre veszélyes rendkívül gyúlékony gázt jelez.



Figyelmeztetés elektromos feszültségre

Ez a szimbólum azt jelzi, hogy az elektromos feszültség veszélyt jelent a személyek életére és egészségére nézve.



Figyelmeztetés

Ez a szimbólum közepes kockázatú veszélyt jelöl, melyet ha nem kerülnek el, az halálhoz vagy súlyos sérüléshez vezethet.



Vigyázat

Ez a szimbólum alacsony kockázatú veszélyt jelöl, melyet ha nem kerülnek el, az kisebb vagy közepesen súlyos sérüléshez vezethet.



Figyelem

Ez a jelzés fontos információkra (pl. anyagi kárra) hívja fel a figyelmet, de nem veszélyre.



Tartsa be az utasításokat

Ez a szimbólum azt jelzi, hogy a szerviztechnikus csak a használati utasításnak megfelelően üzemeltetheti és tarthatja karban a készüléket.

Olvassa el gondosan és figyelmesen a használati útmutatót a készülék használatának/üzembe helyezésének megkezdése előtt, és tartsa a készülék közvetlen közelében, mert később is szüksége lehet rá!

ÓVINTÉZKEDÉSEK ANNAK ELKERÜLÉSE ÉRDEKÉBEN, HOGY TÚL SOK MIKROHULLÁMÚ ENERGIA ÉRJEN MINKET

- a. Ne próbálja ezt a sütőt nyitott ajtóval üzemeltetni, mivel így káros mikrohullámú energia érheti.
Fontos, hogy a biztonsági reteszeléseket ne törje el és ne rongálja meg.
- b. Ne helyezzen semmilyen tárgyat a sütő elülső felülete és az ajtó közé, és ne engedje, hogy szennyeződés vagy tisztítószer-maradék gyűljön össze a tömítőfelületeken.
- c. Ne működtesse a sütőt, ha az sérült. Különösen fontos, hogy a sütő ajtaja megfelelően záródjon, és hogy ne sérüljenek meg a következők:
 - AJTÓ (meghajolva)
 - ZSANÉROK ÉS RETESZEK (törött vagy meglazult)
 - AJTÓTÖMÍTÉSEK ÉS TÖMÍTŐFELÜLETEK
- d. A sütőt csak megfelelően képzett szervizszemélyzet állíthatja be vagy javíthatja.

HU

KIEGÉSZÍTÉS

Ha a készüléket nem tartják megfelelően tiszta állapotban, a felülete károsodhat, ami hatással lehet a készülék élettartamára, és veszélyes helyzethez vezethet.

FONTOS BIZTONSÁGI UTASÍTÁSOK

A tűz, áramütés, személyi sérülés vagy annak kockázata csökkentése végett, hogy a mikrohullámú sütő túl nagy energiája érjen minket, a készülék használata során tartsa be az alapvető óvintézkedéseket, beleértve a következőket:

▲ FIGYELMEZTETÉS

- Olvassa el és kövesse specifikusan az alábbiakban leírtakat: "ÓVINTÉZKEDÉSEK ANNAK ELKERÜLÉSE ÉRDEKÉBEN, HOGY TÚL SOK MIKROHULLÁMÚ ENERGIA ÉRJEN MINKET".
- Ezt a készüléket 8 évnél idősebb gyermekek, csökkent fizikai, érzékszervi vagy szellemi képességekkel rendelkező, illetve tapasztalattal és tudással nem rendelkező személyek csak felügyelet mellett vagy akkor használhatják, ha őket a készülék biztonságos használatára megtanították, és megértették az ezzel járó veszélyeket. Gyermekek ne játsszanak a készülékkel. Felügyelet nélkül a tisztítást és a felhasználói karbantartást gyerekek nem végezhetik.
- Tartsa a készüléket és annak vezetékeit 8 évnél fiatalabb gyermekek számára hozzáférhetetlen helyen.
- Ha a tápvezeték sérült, a gyártóval, a hivatalos márkaszervizzel vagy megfelelően képzett személlyel ki kell cseréltetni a kockázatok elkerülése érdekében.
- FIGYELMEZTETÉS: A lámpa cseréje előtt győződjön meg arról, hogy a készülék ki van kapcsolva, hogy kizárja az áramütés lehetőségét.
- FIGYELMEZTETÉS: Veszélyes, ha hozzáértő személyen kívül bárki más olyan szerviz- vagy javítási műveletet végez, amely annak a burkolatnak az eltávolításával jár, amely véd attól, hogy mikrohullámú energia érjen minket.

- **FIGYELMEZTETÉS:** Folyadékokat és egyéb élelmiszereket nem szabad lezárt tárolóedényben melegíteni, mivel azok robbanásveszélyesek.
- Ha műanyag vagy papír tárolóedényekben melegít ételeket, tartsa szemmel a sütőt, mivel fennáll annak a lehetősége, hogy azok meggyulladnak.
- Csak olyan edényeket használjon, amelyek alkalmasak mikrohullámú sütőben való használatra.
- Ha a készülék füstöt bocsát ki, kapcsolja ki, vagy húzza ki a konnektorból, és a lángok elfojtása érdekében tartsa zárva az ajtaját.
- Az italok mikrohullámú melegítése késleltetett robbanásszerű forrással járhat, ezért az edény kezelésekor járjon el körültekintően.
- A cumisüvegek és bébiételt tartalmazó üvegek tartalmát az égési sérülések elkerülése érdekében meg kell keverni vagy össze kell rázni, és a hőmérsékletüket ellenőrizni kell a fogyasztást megelőzően.
- Tojásokat héjukban és egész keményre főtt tojásokat nem szabad mikrohullámú sütőben melegíteni, mivel még akkor is felrobbanhatnak, amikor a mikrohullámú melegítés már befejeződött.
- A sütőt rendszeresen tisztítani kell, és az esetleges ételmaradékokat el kell távolítani.
- A sütő tisztán tartásának elmulasztása a felület romlásához vezethet, ami hátrányosan befolyásolhatja a készülék élettartamát, és esetleges veszélyes helyzetet is eredményezhet.
- A készüléket a túlmelegedés elkerülése érdekében nem szabad dekoratív ajtó mögé telepíteni. (A dekoratív ajtóval ellátott készülékekre nem vonatkozik).
- Csak az ehhez a sütőhöz ajánlott hőmérsékletmérő szondát használja. (a hőmérséklet-érzékelő szonda használatára szolgáló lehetőséggel ellátott sütők esetében).
- The a mikrohullámú sütő nem helyezhető szekrénybe, kivéve, ha tesztelték a szekrényben történő üzemeltetést.

- A mikrohullámú sütőt nyitott dekoratív ajtóval kell működtetni. (A dekoratív ajtóval ellátott sütők esetében.)
- Ez a készülék háztartási és hasonló alkalmazásokban történő használati célokra szolgál, mint például:
 - üzletek, irodák és egyéb munkakörnyezetek dolgozói konyhai helyiségei;
 - szállodák, motelek és más lakóhelyjellegű környezetek vendégeit kiszolgáló;
 - parasztházak;
 - szállást reggelivel kínáló környezetek.
- A mikrohullámú sütő ételek és italok melegítésére szolgál. Az ételek vagy ruhák szárítása, és a melegítőpárnák, papucsok, szivacsok, nedves ruhák és hasonlóak melegítése sérülés- vagy tűzveszélyt okozhat.
- Az ételek és italok fém tárolóedényei mikrohullámú sütés közben nem használhatók.
- A készüléket nem szabad gőztisztítóval tisztítani.
- A készüléket szabadon álló használatra tervezték.
- A készülék hátsó felületének a fal felé kell néznie.
- A készülékek nem használhatók külső időzítővel vagy külön távirányító rendszerrel.
- A készülék működése közben a megérinthető felületek hőmérséklete magas lehet.

▲ FIGYELMEZTETÉS

Ha a készülék kombinált üzemmódban működik, a hőmérséklete miatt a gyermekek csak felnőtt felügyelete mellett használhatják a sütőt.

**OLVASSA EL FIGYELMESEN,
ÉS ŐRIZZE MEG KÉSŐBBI
HASZNÁLATRA CSAK HÁZTARTÁSI
HASZNÁLATRA
(NEM KERESKEDELMI HASZNÁLATRA)**

A SZEMÉLYI SÉRÜLÉS VESZÉLYÉNEK CSÖKKENTÉSE ÉRDEKÉBEN – FÖLDELÉS

⚠ VESZÉLY

Áramütés veszélye:

A belső alkatrészek némelyikének megérintése súlyos személyi sérülést vagy halált okozhat. Ne szerelje szét ezt a készüléket.

⚠ FIGYELMEZTETÉS

Áramütés veszélye:

A földelés helytelen használata áramütést okozhat.

Addig ne dugja be a készüléket a konnektorba, amíg megfelelően be nem szerelték és nem földelték.

Ezt a készüléket földelni kell. Elektromos rövidzárlat esetén a földelés csökkenti az áramütés veszélyét, mivel levezető vezetékét biztosít az elektromos áram számára.

Ezt a készüléket egy földelő vezetékes, földelődugóval rendelkező kábellel látták el. A dugót megfelelően felszerelt és földelt konnektorba kell dugni.

Forduljon szakképzett villanyszerelőhöz vagy szerelőhöz, ha a földelési utasításokat nem érti teljesen, vagy ha kétségei vannak a készülék megfelelő földelésével kapcsolatban.

Ha hosszabbítót kell használni, akkor csak háromvezetékes hosszabbítót használjon.

1. Azért rövid tápkábelt mellékelünk, hogy ezzel is csökkentsük a hosszabb vezetékbe való belegabalyodás vagy a benne történő megbotlás kockázatát.

2. Ha hosszú vezetékészletet vagy hosszabbítót használ:
- 1) A kábelkészlet vagy hosszabbítókábel névleges elektromos jellemzőinek meg kell egyeznie a készülék névleges elektromos jellemzőivel, vagy meg kell haladnia azokat.
 - 2) A hosszabbítókábelnek földelt, háromeres vezetéknek kell lennie.
 - 3) A hosszú kábelt úgy kell elvezetni, hogy az ne fusson a pult vagy az asztallap fölött úgy, hogy a gyermekek meghúzhassák vagy valaki megbotothasson benne.
- Ez a készülék egy 2. csoportba tartozó B osztályú ISM berendezés. A 2. csoport tartalmazza az összes olyan ISM (ipari, tudományos és orvosi) berendezést, amelyben szándékosan rádiófrekvenciás energiát állítanak elő és/ vagy használnak elektromágneses sugárzás formájában az anyagok kezelésére, továbbá a szikraeróziós berendezések is ide tartoznak.
- HU** A B osztályú berendezések alkalmasak a háztartási létesítményekben és a kisfeszültségű hálózatra közvetlenül csatlakozó létesítményekben való használatra.

TISZTÍTÁS

Feltétlenül húzza ki a készüléket a hálózatról.

1. Használat után enyhén nedves ruhával tisztítsa meg a sütő sütőterét.
2. A tartozékokat a szokásos módon, szappanos vízben tisztítsa meg.
3. Az ajtókeretet és a tömítést, valamint az azokkal szomszédos részeket óvatosan, nedves ruhával kell megtisztítani, ha szennyezettek.

4. Ne használjon durva súrolószereket vagy éles fémkaparókat a sütőajtó üvegének tisztításához, mivel ezek megkarcolhatják a felületet, ami az üveg töréséhez vezethet.
5. Tisztítási tipp---A sütőtér azon falainak könnyebb tisztításához, amelyekkel a főtt ételek érintkezhetnek: Tegyen egy fél citromot egy tálba, adjon hozzá 300 ml vizet, és üzemeltesse a sütőt 100%-os mikrohullámú teljesítményen 10 percig. Törölje tisztára a sütőt egy puha, száraz ruhával.

EDÉNYEK

VIGYÁZAT

Személyi sérülés veszélye:

Veszélyes, ha hozzáértő személyen kívül bárki más olyan szerviz- vagy javítási műveletet végez, amely annak a burkolatnak az eltávolításával jár, amely véd attól, hogy mikrohullámú energia érjen minket.

Olvassa el a "Mikrohullámú sütőben használható vagy mikrohullámú sütőben kerülendő anyagok" című útmutatót. Előfordulhat, hogy bizonyos nem fémből készült edények nem biztonságosak a mikrohullámú sütéshez. Ha kétségei vannak, az alábbi eljárás szerint tesztelheti a kérdéses edényt.

Edényteszt:

- Töltsön meg egy mikrohullámú sütésre alkalmas edényt 1 csésze hideg vízzel (250 ml), és helyezze a készülékbe.
- Melegítse maximális teljesítményen 1 percig.
- Óvatosan tapintsza meg az edényt. Ha az üres edény meleg, ne használja mikrohullámú sütéshez.
- Ne lépje túl az 1 perces melegítési időt.

Mikrohullámú sütőben használható anyagok

Edények	Megjegyzések
Barnító edény	Kövesse a gyártó utasításait. A barnító edény aljának legalább 3/16 hüvelyk (5 mm) magasságban kell lennie a forgótányér felett. A helytelen használat a forgótányér törését okozhatja.
Étkészlet	Csak ami mikrohullámú sütőben használható. Kövesse a gyártó utasításait. Ne használjon repedt vagy törött edényeket.
Üvegpocharak	Mindig távolítsa el a fedelet. Csak addig melegítse az ételt, amíg éppen hogy csak meleg nem lesz. A legtöbb üvegedény nem hőálló, és eltörhet.
Üvegedények	Csak hőálló sütőüvegeket használjon. Győződjön meg arról, hogy nincs rajta fém díszítés. Ne használjon repedt vagy törött edényeket.
Sütőben használható főzőtasakok	Kövesse a gyártó utasításait. Ne zárja le fémkötegelővel. Alakítson ki réseket, hogy a gőz távozni tudjon.
Papírtányérok és poharak	Csak rövid távú főzéshez/melegítéshez használja azokat. Ne hagyja felügyelet nélkül a sütőt főzés közben.
Papírtörölközők	Használhatóak az ételek letakarására újramelegítésnél és a zsír felszívásához. Csak felügyelet mellett, rövid ideig tartó főzéshez használja azokat.
Pergamenpapír	Használhatja fedőnek a szétfröccsenés megakadályozására, vagy gőzöléskor csomagolópapírként.
Műanyag	Csak ami mikrohullámú sütőben használható. Kövesse a gyártó utasításait. "Mikrohullámú sütőben biztonságos" felirattal kell rendelkeznie. Egyes műanyag edények megpuhulnak, ahogy a bennük lévő étel felforrósodik. A "főzőtasakokat" és a szorosan lezárt műanyag zacskókat a csomagoláson szereplő utasítás szerint fel kell hasítani, ki kell lyukasztani vagy légteleníteni kell.
Műanyag fólia	Csak ami mikrohullámú sütőben használható. Használhatja az ételek befedésére főzés közben, hogy megőrizze a nedvességtartalmukat. Ne engedje, hogy a műanyag fólia hozzáérjen az ételhez.
Hőmérők	Csak ami mikrohullámú sütőben használható (hús- és édesség-hőmérők).
Viaszos papír	Használhatja fedőként a fröccsenés megakadályozására és a nedvességtartalom megőrzésére.

Mikrohullámú sütőben kerülendő anyagok

Edények	Megjegyzések
Alumíniumtálca	Ívképződést okozhat. Helyezze át az ételt mikrohullámú sütésre alkalmas edénybe.
Fém fogantyúval ellátott élelmiszerdoboz	Ívképződést okozhat. Helyezze át az ételt mikrohullámú sütésre alkalmas edénybe.
Fém edények vagy fém peremű edények	A fém elzárja az ételt a mikrohullámú energiától. A fém díszítés ívesedéshez vezethet.
Fém csavarkötők	Ívet okozhatnak, és tűz keletkezhet a sütőben.
Papírtasakok	Tűzet okozhat a sütőben.
Műanyag hab	A műanyag hab megolvadhat vagy beszennyezheti a benne lévő folyadékot, ha magas hőmérsékletnek van kitéve.
Fa	A fa kiszárad, ha mikrohullámú sütőben használják, és megrepedhet vagy szétválhat.

MŰSZAKI ADATOK

Modell	MAG25XF
Névleges feszültség/frekvencia	230-240 V~ 50 Hz
Névleges mikrohullámú bemenet	1250 W
Névleges mikrohullámú kimenet	800 W
Névleges mikrohullámú bemenet (grill)	1000 W

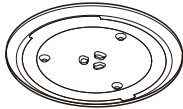
A TERMÉK ÁTTEKINTÉSE

A sütő alkatrészeinek és tartozékainak megnevezése

Ha a készülék különbözik a kézikönyvben közölt ábráktól, a készülék a mérvadó.

Vegye ki a sütőt és minden anyagot a dobozból és a sütőtérből.

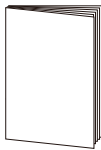
Az Ön sütője a következő tartozékokat tartalmazza:



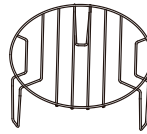
Üvegtálca



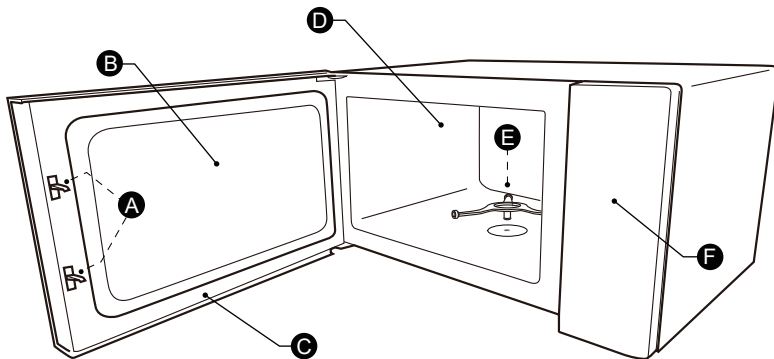
Forgótányér-gyűrű szerelvény



Használati útmutató



Grillrács (mikrohullámú sütő funkcióban nem használható, és az üvegtálcára kell helyezni)



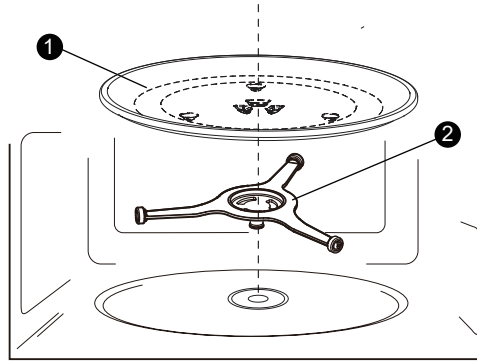
- A) Biztonsági reteszelőrendszer
- B) Megfigyelőablak
- C) Ajtószerelvény

- D) Sütőtér
- E) Forgótányér-gyűrű szerelvény
- F) Vezérlőpanel

A TERMÉK ÁTTEKINTÉSE

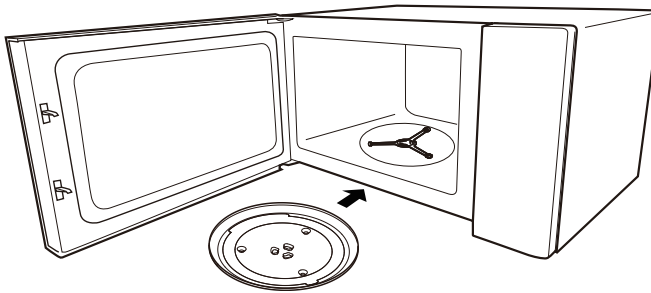
A sütő alkatrészeinek és tartozékainak megnevezése

A főzőtér tisztítása és a forgótányér behelyezése a helyére. Új telepítés esetén győződjön meg arról, hogy minden csomagoló- és szállítási szalagot eltávolított. Mielőtt először használná a készüléket ételkészítésre, a forgótányért megfelelően a helyére kell tenni. Tisztítsa meg a főzőteret és a tartozékokat.



1) Üvegtálca

2) Forgótányér-gyűrű szerelvény



HU

MEGJEGYZÉSEK

1. Soha ne használja a készüléket forgótányér nélkül. Ellenőrizze, hogy a forgótányér megfelelően a helyén van-e. A forgótányér az óramutató járásával megegyező vagy ellentétes irányban foroghat.
2. Soha ne helyezze be az üvegtálcát fejjel lefelé. Az üvegtálcát mozgását soha nem szabad akadályozni.
3. Az üvegtálcát és a forgótányér-gyűrű szerelvényt is mindig használni kell a főzés során.
4. Minden ételt és ételtároló edényt mindig az üvegtálcára kell helyezni a főzéshez.
5. Soha ne akadályozza a forgótányér mozgását.
6. Ha az üvegtálca vagy a forgótányér-gyűrű szerelvény megreped vagy eltörik, forduljon a legközelebbi hivatalos szervizközpontozhoz.

A TERMÉK TELEPÍTÉSE

Elhelyezés a pulton

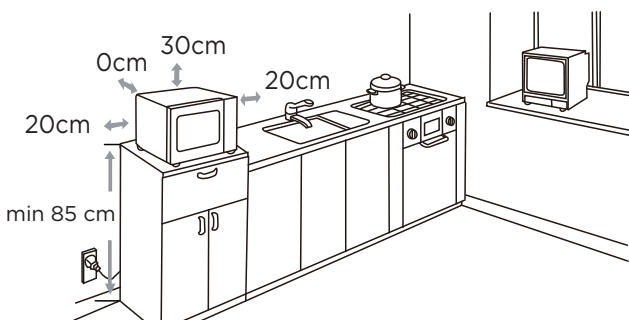
Távolítson el minden csomagolóanyagot és tartozékot. Ellenőrizze, hogy a készüléken nincsenek-e sérülések, például horpadások vagy törött ajtó. Ha a készülék sérült, ne telepítse.

Kamra: Távolítson el minden védőfóliát a mikrohullámú sütő kamrájának felületéről. Ne távolítsa el a hullámvezető borítást a sütőtér belsejéből, amely a magnetront védi.

TELEPÍTÉS

1. Válasszon egy vízszintes felületet, ahol elég hely áll rendelkezésre a légbeszívó és/vagy légkifúvó nyílások számára.

- A minimális telepítési magasság 85 cm.
- A készülék hátsó felületének a fal felé kell néznie. Hagyjon legalább 30 cm távolságot a sütő felett. Legalább 20 cm-es távolság szükséges a sütő és a szomszédos falak között.
- Ne távolítsa el a lábakat a készülék aljáról.
- A légbemeneti és/vagy légkimeneti nyílások eltakarása károsíthatja a sütőt.
- A sütőt helyezze a rádió- és tévékészülékektől minél távolabbra. A mikrohullámú sütő működés közben zavarhatja a tévé- és rádióvételt.



2. Csatlakoztassa a sütőt egy szabványos konnektorhoz.

Ellenőrizze, hogy a hálózati feszültség és frekvencia megegyezik-e a készülék típustábláján feltüntetett feszültséggel és frekvenciával.

▲ FIGYELMEZTETÉS

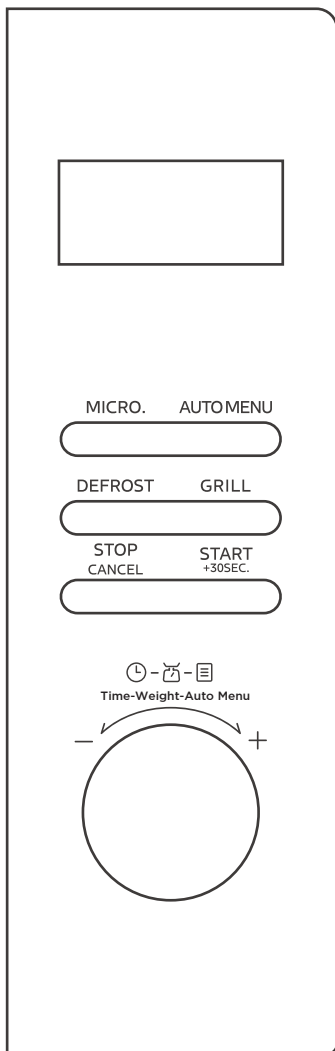
Ne helyezze a sütőt tűzhely vagy más hőtermelő készülék fölé. Ha hőforrás fölé telepíti, azzal károsíthatja a készüléket, és elveszítheti a jótállást.



A hozzáférhető felület működés közben forró lehet.

MŰKÖDTETÉS

Vezérlőpanel



HU

MŰKÖDTETÉS

1. Mikrohullámú sütés

Miután csatlakoztatta a sütőt az áramforráshoz, „0:00” jelenik meg a kijelzőn. Megszólal a csengő. 5 teljesítményszint állítható be.

Teljesítmény	100%	80%	50%	30%	10%
Kijelző	P100	P80	P50	P30	P10

- (1) Nyomja meg egyszer a „MICRO.” gombot, ekkor megjelenik a „P100” kijelzés.
- (2) Nyomja meg ismételten a „MICRO.” gombot, vagy forgassa el a gombot a teljesítményszint beállításához.
Beállítható az 5 teljesítményszint.
- (3) Nyomja meg a(z) „START” gombot a megerősítéshez.
- (4) Forgassa a gombot a főzési időtartam beállításához. A maximális érték "95:00".
- (5) Nyomja meg a(z) „START” gombot a főzés megkezdéséhez.

● Megjegyzések

- (1) A készülék ajtajának kinyitása vagy a(z) „STOP” gomb működés alatti megnyomása megszakítja az aktuális üzemmódot.
- (2) Megjegyzés: a kódolókapcsoló beállítási idejének lépései a következők:
0---1 perc : 5 másodperc
1---5 perc : 10 másodperc
5---10 perc : 30 másodperc
10 ---30 perc : 1 perc
30---95 perc : 5 perc

HU

2. Grillezés

- (1) Nyomja meg egyszer a „GRILL” gombot, ekkor megjelenik a „G-1” kijelzés.
- (2) Nyomja meg a(z) „START” gombot a megerősítéshez.
- (3) Forgassa a gombot a főzési időtartam beállításához. A maximális érték "95:00".
- (4) Nyomja meg a(z) „START” gombot a főzés megkezdéséhez.

● Megjegyzés

A hangjelzés emlékeztetni fogja Önt, hogy grillsütés során fordítsa meg az ételt. Ha nem csinál semmit, akkor a sütő folytatja a működését.

MŰKÖDTETÉS

3. Kiolvasztás tömeg alapján

- (1) Nyomja meg egyszer a „DEFROST” gombot, ekkor megjelenik a „dEF1” kijelzés.
- (2) Forgassa a gombot az étel tömegének beállításához. A tömeg 100-2000 g között lehet.
- (3) Nyomja meg a(z) „**START**”_{+30SEC.} gombot a kiolvasztás megkezdéséhez.

Megjegyzés

A hangjelzés emlékeztetni fogja Önt, hogy a kiolvasztás során fordítsa meg az ételt. Ha nem csinál semmit, akkor a sütő folytatja a működését.

4. Kiolvasztás idő alapján

- (1) Nyomja meg kétszer a „DEFROST” gombot, ekkor megjelenik a „dEF2” kijelzés.
- (2) Forgassa a gombot a kívánt kiolvasztási időtartam beállításához. A maximális érték "95:00".
- (3) Nyomja meg a(z) „**START**”_{+30SEC.} gombot a kiolvasztás megkezdéséhez.

Megjegyzések

- (1) A hangjelzés emlékeztetni fogja Önt, hogy a kiolvasztás során fordítsa meg az ételt. Ha nem csinál semmit, akkor a sütő folytatja a működését.
- (2) A kiolvasztási teljesítmény P30, és nem változtatható.

5. Gyorsfőzés

- (1) Készületi üzemmódban forgassa a gombot balra a főzési idő beállításához 100%-os teljesítményen.
Forgassa tovább a gombot a főzési időtartam beállításához. Ezután nyomja meg a(z) „**START**”_{+30SEC.} gombot a főzés megkezdéséhez. A maximális érték "95:00".
- (2) Készületi üzemmódban nyomja meg a(z) „**START**”_{+30SEC.} gombot az étel főzéséhez 30 másodpercig 100%-os teljesítményszinten. Ugyanannak a gombnak minden egyes megnyomása 30 másodperccel növeli az időtartamot, a maximális időtartam „95:00”.

Megjegyzés

Sütési állapotban és idő alapú kiolvasztás állapotban a(z) „**START**”_{+30SEC.} minden újabb megnyomása 30 másodperccel növelheti a sütési időt (kivéve a súly szerinti kiolvasztást és a többlépcsős sütés első szakaszát).

MŰKÖDTETÉS

6. Kombinált sütés

- (1) Nyomja meg egyszer a „GRILL” gombot, ekkor megjelenik a „G-1” kijelzés.
- (2) Nyomja meg többször a „GRILL” gombot, vagy forgassa el a gombot, és ekkor a „C-1”, „C-2” felirat jelenik meg.
- (3) Nyomja meg a(z) **START** ”+30SEC.” gombot a megerősítéshez.
- (4) Forgassa a gombot a főzési időtartam beállításához. A maximális érték "95:00".
- (5) Nyomja meg a(z) **START** ”+30SEC.” gombot a főzés megkezdéséhez.

Kombinált főzési táblázat

Funkció	Kijelző	Mikrohullámú teljesítmény	Grill teljesítmény
Kombi. 1	C-1	55%	45%
Kombi. 2	C-2	36%	64%

7. Többfokozatú főzés

Példa: Étel kiolvasztása 5 percre, majd főzés 80%-os mikrohullámú teljesítményen 7 percre.

- (1) Nyomja meg kétszer a „DEFROST” gombot, ekkor megjelenik a „dEF2” kijelzés.
- (2) Forgassa el a gombot az 5 perces kiolvasztási időtartam beállításához.
- (3) Nyomja meg egyszer a „MICRO.” gombot, ekkor megjelenik a „P100” kijelzés.
- (4) Nyomja meg ismételten a „MICRO.” gombot, vagy forgassa el a gombot a teljesítményszint P80-ra történő beállításához.
- (5) Nyomja meg a(z) **START** ”+30SEC.” gombot a mikrohullámú teljesítmény megerősítéséhez.
- (6) Forgassa el a gombot a 7 perces főzési időtartam beállításához.
- (7) Nyomja meg a(z) **START** ”+30SEC.” gombot a főzés megkezdéséhez.

Megjegyzések

- (1) Két főzési fokozat állítható be a többfokozatú főzésben.
- (2) Ha kiolvasztás funkciót állít be, az az első szakaszban automatikusan működik.
- (3) A konyhai időzítő és az automatikus menü nem állítható be a többfokozatos sütés egyikeként.

MŰKÖDTETÉS

8. Automatikus menü

- (1) Nyomja meg egyszer az „AUTO MENU” gombot, vagy forgassa el jobbra a gombot, ekkor megjelenik az „A-01” felirat.
- (2) Nyomja meg többször az „AUTO MENU” gombot, vagy forgassa el a gombot a kívánt menü kiválasztásához.
9 automatikus menü áll rendelkezésre.
- (3) Nyomja meg a(z) „START”_{+30SEC.} gombot a megerősítéshez.
- (4) Forgassa a gombot az étel tömegének beállításához.
- (5) Nyomja meg a(z) „START”_{+30SEC.} gombot a főzés megkezdéséhez.

Automatikus menü táblázat

Menü	Tömeg	Kijelző	Teljesítmény	
A-01 Automatikus újramelegítés	200 g	200	P100	
	400 g	400		
A-02 Hús	250 g	250		
	350 g	350		
	450 g	450		
A-03 Friss zöldség	200 g	200		
	300 g	300		
	400 g	400		
A-04 Tésztafélék	50 g	50		P80
	100 g	100		
A-05 Burgonya	1 (230 g)	1		P100
	2 (460g)	2		
	3 (690g)	3		
A-06 Hal	250 g	250	P80	
	350 g	350		
	450 g	450		

MŰKÖDTETÉS

Menü	Tömeg	Kijelző	Teljesítmény
A-07 Ital	1 csésze (120 ml)	1	P100
	2 csésze (240 ml)	2	
	3 csésze (360 ml)	3	
A-08 Pattogatott kukorica	50 g	50	
	100 g	100	
A-09 Kenyér	50 g	50	P50
	100 g	100	
	150 g	150	
	200 g	200	
	250 g	250	P100+P80+P50
	350 g	350	
	500 g	500	
	700 g	700	

HU

9. Zárfunkció gyermekek számára

Ezzel a funkcióval megakadályozható, hogy a gyerekek véletlenül bekapcsolják a sütőt.

A zárfunkció bekapcsolása:

Készletléti üzemmódban nyomja meg és tartsa lenyomva a(z) „^{STOP}CANCEL” gombot 3 másodpercig. Hosszú sípoló hangjelzés hallható és megjelenik a(z) „[]” kijelzés.

A zárfunkció kikapcsolása:

Lezárt üzemmódban nyomja meg és tartsa lenyomva a(z) „^{STOP}CANCEL” gombot három másodpercig. Hosszú sípoló hangjelzés hallható.

10. Lekérdező funkció

- (1) Mikrohullámú főzési állapotban nyomja meg a „MICRO.” gombot a teljesítményszint lekérdezéséhez. Három másodpercig jelenik meg.
- (2) Grill és kombinált sütési állapotban nyomja meg a „GRILL” gombot, hogy lekérdezze a sütési módot. Három másodpercig jelenik meg.


HIBAELHÁRÍTÁS

Normál

A mikrohullámú sütő zavarja a tévéadás vételét	A mikrohullámú sütő működése közben a rádió- és televízióvételt zavarhatja. Ez hasonló a kis elektromos készülékek, például a keverő, a porszívó és az elektromos ventilátor interferenciájához. Ez normális.
Halvány sütőfény	Kis teljesítményű mikrohullámú sütés esetén a sütő fénye halványulhat. Ez normális.
Ajtón felgyülemelő gőz, a szellőzőnyílásokon kiáramló forró levegő	Főzés közben az ételekből gőz léphet ki. A legtöbb a szellőzőnyílásokon fog kijutni. Egy része azonban összegyűlhet egy hűvös helyen, például a sütő ajtaján. Ez normális.
A sütő véletlenül úgy indult be, hogy nem volt benne étel.	Tilos a készüléket úgy működtetni, hogy nincs benne étel. Ez nagyon veszélyes

Probléma	Lehetséges okok	Megoldás
HU A sütő nem indítható.	(1) A tápkábel nincs szorosan bedugva.	Húzza ki a csatlakozót. Ezután 10 másodperc múlva dugja be újra.
	(2) A biztosíték kiégett vagy a megszakító működésbe lépett.	Cserélje ki a biztosítékot vagy állítsa vissza a megszakítót (cégünk szakszemélyzete javítja).
	(3) Probléma a konnektorral.	Tesztelje a konnektort más elektromos készülékekkel.
A sütő nem melegszik.	(4) Az ajtó nem jól záródik.	Zárja be jól az ajtót.

VÉDJEJGYEK, SZERZŐI JOGOK ÉS JOGI NYILATKOZAT

 Midea logó, szövéjgyek, kereskedelmi nevek, kereskedelmi arculat és ezek minden változata: a Midea Csoport és/vagy leányvállalatainak ("Midea") tulajdonába tartoznak, melyeknek a Midea rendelkezik a védjejeikkel, szerzői jogaikkal és más szellemi tulajdonjogaikkal, és a Midea védjejegek bármely részének használatából eredő összes üzleti előnnyel. A Midea védjejeének a Midea előzetes engedélye nélküli használata védjejgyjogi jogsértésnek vagy a vonatkozó jogszabályokat sértő tisztességtelen versengésnek minősülhet.

Ezt a kézikönyvet a Midea készítette, és a Midea fenntartja a hozzá fűződő összes szerzői jogot. Egyetlen szervezet vagy magánszemély sem használhatja, másolhatja, módosíthatja, terjesztheti részben vagy egészben ezt a kézikönyvet, illetve nem kapcsolhatja össze vagy értékesítheti más termékekkel a Midea előzetes írásos hozzájárulása nélkül.

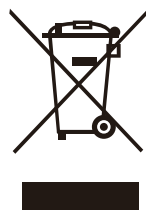
A kézikönyv nyomtatásakor az összes leírt funkció és utasítás naprakész volt. A tényleges termék azonban a továbbfejlesztett funkciók és formatervezés miatt eltérhet.

KISELEJTÉZÉS ÉS ÚJRAHASZNOSÍTÁS

Fontos környezetvédelmi utasítások

Megfelelős a WEEE irányelvnek és a hulladékok leselejtezésére vonatkozó előírásoknak: A termék eleget tesz az EU WEEE irányelvnek (2012/19/EU). Ez a termék az elektromos és elektronikus berendezések hulladékainak (WEEE) osztályozási szimbólumával van ellátva.

Ez a szimbólum azt jelzi, hogy a készüléket az élettartama végén nem szabad más háztartási hulladékkal együtt ártalmatlanítani. A használt készüléket az elektromos és elektronikus eszközök leselejtezésére kijelölt gyűjtőpontra juttassa el. A gyűjtőpontok megkereséséhez vegye fel a kapcsolatot a helyi hatóságokkal vagy azzal az üzlettel, amely a terméket értékesítette. Minden egyes háztartás fontos szerepet játszik a régi készülékek begyűjtésében és újrahasznosításában. A használt készülék megfelelő ártalmatlanítása segít megelőzni a környezetre és az emberi egészségre gyakorolt lehetséges negatív következményeket.



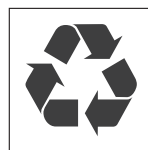
Megfelelés a RoHS irányelvnek

HU

A megvásárolt termék eleget tesz az EU RoHS irányelvnek (2011/65/EU). Nem tartalmaz az irányelvben meghatározott káros és tiltott anyagokat.

Csomagolási információ

A termék csomagolóanyagai újrahasznosítható anyagokból készülnek az országos környezetvédelmi előírásoknak megfelelően. A csomagolóanyagokat ne dobja ki a háztartási vagy egyéb hulladékokkal együtt. Juttassa el azokat a helyi hatóságok által kijelölt csomagolóanyag-gyűjtőhelyekre.



ADATVÉDELMI KÖZLEMÉNY

A vásárlónak nyújtott szolgáltatások keretében, beleegyezünk, hogy korlátozás nélkül eleget teszünk a vonatkozó adatvédelmi törvény összes rendelkezésnek az összes olyan országban, ahol az ügyfeleinknek szolgáltatásokat nyújtunk, valamint, ahol az alkalmazható, az EU általános adatvédelmi rendeletének (GDPR).

Az adatkezelésünk célja általánosságban az, hogy teljesíteni tudjuk az ön iránt vállalt kötelezettségeinket, és hogy termékbiztonsági okokból védeni tudjuk az ön termékgaranciával és termékregisztrációval kapcsolatos jogait. Néhány esetben, de kizárólag megfelelő adatvédelem mellett, a személyes adatait az Európai Gazdasági Térségen kívüli címzettek is megkaphatják.

Kérésre erről bővebb tájékoztatást nyújtunk. Az adatvédelmi képviselővel a **MideaDPO@midea.com** e-mail címen veheti fel a kapcsolatot. A jogai gyakorlásához, például hogy tiltakozzon a személyes adatai közvetlen üzletszerzés (direktmarketing) céljából történő kezelésével szemben, írjon nekünk a **MideaDPO@midea.com** e-mail-címre. További tájékoztatáshoz olvassa be a QR-kódot.

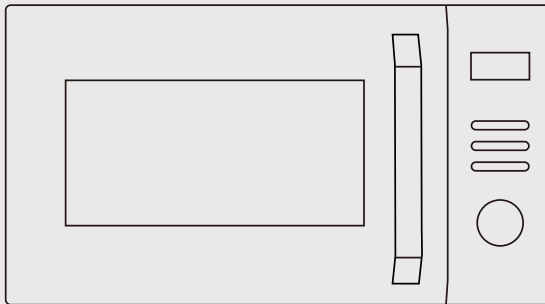


make yourself at home



www.midea.com

© Midea 2024 Minden jog fenntartva



MIKROTALASNA PEĆNICA

UPUTSTVO ZA KORIŠĆENJE

MAG25XF

Upozoravajuća obaveštenja: Pre upotrebe ovog proizvoda, pažljivo pročitajte ovo uputstvo i sačuvajte ga za buduću upotrebu. Dizajn i specifikacije su podložni promeni bez prethodne najave radi poboljšanja proizvoda.

Za detalje se obratite svom prodavcu ili proizvođaču.

Gornji dijagram je dat samo radi reference. Uzmite izgled stvarnog proizvoda kao standard.

PISMO ZAHVALNOSTI

Hvala vam što ste izabrali Mideu! Pre upotrebe vašeg novog Midea proizvoda, pažljivo pročitajte ovo uputstvo da biste bili sigurni da znate kako da koristite funkcije i mogućnosti koje vaš novi uređaj nudi na bezbedan način.

SADRŽAJ







PISMO ZAHVALNOSTI	02
BEZBEDNOSNA UPUTSTVA	03
SPECIFIKACIJE	12
PREGLED PROIZVODA	13
MONTAŽA PROIZVODA	15
RAD	17
REŠAVANJE PROBLEMA	23
ŽIGOVI, AUTORSKA PRAVA I PRAVNA IZJAVA	24
ODLAGANJE I RECIKLAŽA	25
OBAVEŠTENJE O ZAŠTITI PODATAKA	26

BEZBEDNOSNA UPUTSTVA

Namena

Sledeće bezbednosne smernice imaju za cilj da spreče nepredviđene rizike ili štete usled nebezbednog ili nepravilnog rada uređaja. Proverite pakovanje i uređaj po isporuci da biste bili sigurni da je sve neoštećeno, kako biste osigurali bezbedan rad. Ako nađete bilo kakvo oštećenje, obratite se prodavcu ili dobavljaču. Imajte na umu da modifikacije ili prepravke uređaja nisu dozvoljene zbog vaše bezbednosti. Nenamenska upotreba može dovesti do opasnosti i gubitka garancije.

Objašnjenje simbola

	Opasnost Ovaj simbol označava da postoji opasnost po život i zdravlje ljudi zbog izuzetno zapaljivog gasa.
	Upozorenje na električni napon Ovaj simbol označava da postoji opasnost po život i zdravlje osoba zbog napona.
	Upozorenje Ova signalna reč označava opasnost sa srednjim nivoom rizika koja, ako se ne izbegne, može dovesti do smrti ili ozbiljne povrede.
	Oprez Ova signalna reč označava opasnost sa niskim stepenom rizika koja, ako se ne izbegne, može dovesti do lakših ili umerenih povreda.
	Pažnja Ova signalna reč ukazuje na važne informacije (npr. oštećenje imovine), ali ne i na opasnost.
	Pridržavajte se uputstava Ovaj simbol označava da serviser treba da radi i održava ovaj uređaj samo u skladu sa uputstvima za upotrebu.

SR

Pažljivo i s razumevanjem pročitajte ovo uputstvo za upotrebu pre upotrebe/puštanja u rad uređaja i čuvajte ih u neposrednoj blizini mesta ugradnje ili uređaja radi kasnije upotrebe!

MERE OPREZA ZA IZBEGAVANJE MOGUĆOJ IZLOŽENOSTI PREKOMERNOJ MIKROTALASNOJ ENERGIJI

- a. Ne pokušavajte da koristite mikrotalasnu pećnicu s otvorenim vratima, jer to može dovesti do štetnog izlaganja mikrotalasnoj energiji.
Važno je da ne poništite ili ne promenite sigurnosne blokade.
- b. Ne stavljajte nikakve predmete između prednje strane pećnice i vrata i ne dozvolite da se prljavština ili ostaci sredstva za čišćenje nakupljaju na zaptivnim površinama.
- c. Ne koristite mikrotalasnu pećnicu ako je oštećena.
Posebno je važno da se vrata mikrotalasne pećnice pravilno zatvore i da nema oštećenja na:
- VRATIMA (savijena)
 - ŠARKAMA I KVAKAMA (slomljene ili olabavljene)
 - ZAPTIVKE NA VRATIMA I ZAPTIVNE POVRŠINE
- d. Mikrotalasnu pećnicu ne sme podešavati ili popravljati niko osim odgovarajućeg kvalifikovanog servisnog osoblja.

SR

Dodatak

Ako se uređaj ne održava u čistom stanju, njegova površina može degradirati, što može uticati na životni vek uređaja i dovesti do opasne situacije.

Važna bezbednosna uputstva

Da biste smanjili rizik od požara, električnog udara, povreda osoba ili izlaganja prekomernoj energiji mikrotalasne pećnice kada koristite uređaj, pratite osnovne mere opreza, uključujući sledeće:

▲ UPOZORENJE

- Pročitajte i sledite konkretno: „MERE OPREZA ZA IZBEGAVANJE MOGUĆOJ IZLOŽENOSTI PREKOMERNOJ MIKROTALASNOJ ENERGIJI“
- Ovaj uređaj mogu koristiti deca uzrasta od 8 godina i više kao i osobe sa smanjenim fizičkim, senzornim ili mentalnim sposobnostima ili nedostatkom iskustva i znanja, ako su pod nadzorom ili su im date instrukcije u vezi sa bezbednim korišćenjem uređaja i ako razumeju opasnosti koje to uključuje. Deca ne smeju da se igraju ovim uređajem. Čišćenje i korisničko održavanje ne smeju da obavljaju deca bez nadzora.
- Držite uređaj i njegov kabl van domašaja dece mlađe od 8 godina.
- Ako je kabl za napajanje oštećen, potrebno je da ga zameni proizvođač, ovlašćeni serviser ili druga kvalifikovana osoba kako bi se izbegla opasnost.
- UPOZORENJE: Uverite se da je uređaj isključen pre zamene lampe kako biste izbegli mogućnost strujnog udara.
- UPOZORENJE: Opasno je za bilo koga osim za kompetentno lice da izvrši bilo kakvu operaciju servisiranja ili popravke koja uključuje uklanjanje poklopca koji pruža zaštitu od izlaganja mikrotalasnoj energiji.
- UPOZORENJE: Tečnosti i druga hrana se ne smeju zagrevati u zatvorenim posudama jer mogu eksplodirati.
- Kada zagrevate hranu u plastičnim ili papirnim posudama, pazite na pećnicu zbog mogućnosti paljenja.

- Koristite samo pribor koji je pogodan za upotrebu u mikrotalasnim pećnicama.
- Ako se pojavi dim, isključite ili iskopčajte uređaj iz struje i držite vrata zatvorena kako biste prigušili plamen.
- Zagrevanje pića u mikrotalasnoj pećnici može dovesti do odloženog eruptivnog klučanja, stoga morate biti oprezni pri rukovanju posudom.
- Sadržaj flašica za hranjenje i tegli sa hranom za bebe treba promešati ili protresti i proveriti temperaturu pre konzumiranja, kako bi se izbegle opekotine.
- Jaja u ljusci i cela tvrdo kuvana jaja ne treba zagrevati u mikrotalasnoj pećnici jer mogu eksplodirati čak i nakon što se mikrotalasno zagrevanje završi.
- Pećnicu treba redovno čistiti i uklanjati sve naslage hrane.
- Neodržavanje pećnice u čistom stanju može dovesti do propadanja površine što može negativno uticati na vek trajanja uređaja i može dovesti do opasne situacije.
- Uređaj se ne sme postavljati iza ukrasnih vrata kako bi se izbeglo pregrevanje. (Ovo nije primenjivo za uređaje sa ukrasnim vratima.)
- Koristite samo temperaturnu sondu preporučenu za ovu mikrotalasnu pećnicu. (Za mikrotalasne pećnice koje su opremljene uređajem za korišćenje sonde za senzor temperature.)
- Mikrotalasna pećnica se ne sme postavljati u orman osim ako nije testirana za rad u ormanu.
- Mikrotalasna pećnica mora da radi sa otvorenim ukrasnim vratima. (Za pećnice sa ukrasnim vratima.)
- Ovaj uređaj namenjen je za upotrebu u domaćinstvu i sličnim primenama kao što su:
 - kuhinjski prostori za osoblje u prodavnicama, kancelarijama i drugim radnim okruženjima;
 - od strane klijenata u hotelima, motelima i drugim okruženjima stambenog tipa;
 - seoske kuće;
 - ugostiteljski objekti koji pružaju noćenje sa doručkom.

- Mikrotalasna pećnica je namenjena za zagrevanje hrane i pića. Isušivanje hrane, sušenje odeće, zagrevanje grejnih jastučića, papuča, sunđera, vlažnih krpa i sličnog može dovesti do rizika od povreda, paljenja ili požara.
- Metalne posude za hranu i piće nisu dozvoljene tokom kuvanja u mikrotalasnoj pećnici.
- Uređaj se ne sme čistiti parnim čistačem.
- Uređaj je namenjen za samostojeću upotrebu.
- Zadnja površina uređaja treba da bude postavljena uz zid.
- Uređaji nisu namenjeni za upravljanje pomoću spoljnog tajmera ili odvojenog sistema daljinskog upravljanja.
- Temperatura dostupnih površina može biti visoka kada uređaj radi.

▲ UPOZORENJE

Kada uređaj radi u kombinovanom režimu, deca bi trebalo da koriste pećnicu samo pod nadzorom odrasle osobe zbog visokih temperatura.

**PAŽLJIVO PROČITAJTE I
SAČUVAJTE ZA BUDUĆU
UPOTREBU
(NIJE ZA KOMERCIJALNU
UPOTREBU)**

SR

Ugradnja uzemljenja radi smanjenja rizika od telesnih povreda

⚠ OPASNOST

Opasnost od električnog udara

Dodirivanje nekih unutrašnjih komponenti može izazvati ozbiljne telesne povrede ili smrt. Nemojte rastavljati ovaj uređaj.

⚠ UPOZORENJE

Opasnost od električnog udara

Nepravilna upotreba uzemljenja može dovesti do strujnog udara.

Ne uključujte u utičnicu dok uređaj nije pravilno montiran i uzemljen.

Ovaj uređaj mora biti uzemljen. U slučaju električnog kratkog spoja, uzemljenje smanjuje rizik od strujnog udara tako što obezbeđuje izlazni strujni vod za električnu struju.

SR Ovaj uređaj je opremljen kablom koji ima žicu za uzemljenje i utikačem sa uzemljenjem. Utikač mora biti uključen u utičnicu koja je pravilno montirana i uzemljena.

Obratite se kvalifikovanom električaru ili serviseru ako uputstva za uzemljenje niste u potpunosti shvatili ili ako postoji sumnja da li je uređaj pravilno uzemljen.

Ako je potrebno da koristite produžni kabl, koristite samo trožilni produžni kabl.

1. Obezbeđen je kratak kabl za napajanje kako bi se smanjili rizici koji nastaju zbog zaplitanja ili saplitanja o duži kabl.
2. Ako se koristi dugačak komplet kablova ili produžni kabl:
 - 1) Označena električna snaga kompleta kablova ili produžnog kabla treba da bude najmanje onoliko koliko iznosi električna snaga uređaja.

- 2) Produžni kabl mora biti trožilni kabl sa uzemljenjem.
- 3) Dugačak kabl treba da bude postavljen tako da ne visi sa radne površine ili stola gde ga deca mogu povući ili se slučajno spotaknuti.

Ovaj uređaj je ISM oprema grupe 2 klase B. Grupa 2 sadrži svu ISM (industrijsku, naučnu i medicinsku) opremu u kojoj se radio-frekvencijska energija namerno generiše i/ili koristi u obliku elektromagnetnog zračenja za obradu materijala i opremu za erodiranje iskrenjem.

Oprema klase B je pogodna za upotrebu u domaćim objektima i objektima koji su direktno priključeni na niskonaponsku mrežu za napajanje.

ČIŠĆENJE

Obavezno isključite uređaj iz napajanja.

1. Očistite šupljinu pećnice nakon upotrebe blago vlažnom krpom.
2. Očistite pribor na uobičajen način u vodi sa sapunom.
3. Okvir vrata, zaptivka i susedni delovi moraju se pažljivo očistiti vlažnom krpom kada su prljavi.
4. Nemojte koristiti gruba abrazivna sredstva za čišćenje ili oštre metalne strugače za čišćenje stakla na vratima pećnice jer mogu izgubiti površinu, što može dovesti do pucanja stakla.
5. Savet za čišćenje – Za lakše čišćenje zidova šupljine sa kojima kuvana hrana može doći u dodir: Stavite pola limuna u činiju, dodajte 300 ml (1/2 pinte) vode i zagrevajte na 100% snage mikrotalasa 10 minuta. Obrišite pećnicu mekom, suvom krpom.

Kuhinjski pribor

OPREZ

Opasnost od telesnih povreda

Opasno je za bilo koga osim za kompetentno lice da izvrši bilo kakvu operaciju servisiranja ili popravke koja uključuje uklanjanje poklopca koji pruža zaštitu od izlaganja mikrotalasnoj energiji.

Pogledajte uputstva o materijalima koje možete koristiti u mikrotalasnoj pećnici ili koje treba izbegavati u mikrotalasnoj pećnici. Možda postoji određeni nemetalni pribor koji nije bezbedan za upotrebu u mikrotalasnoj pećnici. Ako ste u nedoumici, možete testirati kuhinjski pribor prateći proceduru u nastavku.

Testiranje kuhinjskog pribora:

- Stavite u posudu bezbednu za mikrotalasnu pećnicu 1 šolju hladne vode (250 ml) zajedno sa kuhinjskim priborom.
- Kuvajte na maksimalnoj snazi 1 minut.
- Pažljivo dodirnite kuhinjski pribor. Ako je prazan komad kuhinjskog pribora topao, nemojte ga koristiti za kuvanje u mikrotalasnoj pećnici.
- Ne prekoračujte vreme kuvanja od 1 minut.

SR

Materijali koje možete koristiti u mikrotalasnoj pećnici

Kuhinjski pribor	Napomene
Posuda za pečenje	Pratite uputstva proizvođača. Dno posude za pečenje mora biti najmanje 5 mm (3/16 inča) iznad obrtnog postolja. Nepravilna upotreba može dovesti do lomljenja obrtnog postolja.
Posuđe	Samo ono koje je bezbedno za mikrotalasnu pećnicu. Pratite uputstva proizvođača. Nemojte koristiti napukle ili okrnjene posude.
Staklene tegle	Uvek skinite poklopac. Koristite samo za zagrevanje hrane dok se ne zagreje. Većina staklenih tegli nije otporna na toplotu i može se polomiti.
Stakleno posuđe	Samo stakleno posuđe za rerne koje je otporno na toplotu. Uverite se da nema metalnih ukrasa. Nemojte koristiti napukle ili okrnjene posude.
Kese za kuvanje u pećnici	Pratite uputstva proizvođača. Ne zatvarajte metalnom kopčom. Napravite proreze kako biste omogućili da para izađe.
Papirni tanjiri i čaše	Koristite samo za kratkotrajno kuvanje/zagrevanje. Ne ostavljajte pećnicu bez nadzora tokom kuvanja.
Papirni ubrusi	Koristite za pokrivanje hrane za podgrevanje i upijanje masti. Koristite uz nadzor i samo za kratkotrajno kuvanje.
Pergament papir	Koristite kao poklopac za sprečavanje prskanja ili omot za paru.
Plastika	Samo ono koje je bezbedno za mikrotalasnu pećnicu. Pratite uputstva proizvođača. Treba da ima oznaku „Bezbedno za mikrotalasnu pećnicu“. Neke plastične posude omekšaju, jer se hrana unutra zagreva. „Kese za kuvanje“ i čvrsto zatvorene plastične kese treba da budu prorezane, probušene ili ventilirane prema uputstvima na pakovanju.
Plastični omot	Samo ono koje je bezbedno za mikrotalasnu pećnicu. Koristite za pokrivanje hrane tokom kuvanja kako biste zadržali vlagu. Ne dozvolite da plastična folija dodiruje hranu.
Termometri	Samo oni koji su bezbedni za mikrotalasnu pećnicu (termometri za meso i slatkiše).
Voštani papir	Koristite kao pokrivač da biste sprečili prskanje i zadržali vlagu.

SR

Materijali koje treba izbegavati u mikrotalasnoj pećnici

Kuhinjski pribor	Napomene
Aluminijumsko posuđe	Može izazvati stvaranje električnog luka. Prebacite hranu u posudu za mikrotalasnu pećnicu.
Karton za hranu sa metalnom ručkom	Može izazvati stvaranje električnog luka. Prebacite hranu u posudu za mikrotalasnu pećnicu.
Metalni ili metalom obložen pribor	Metal štiti hranu od mikrotalasne energije. Metalna obloga može izazvati pojavu električnog luka.
Metalne kopče	Mogu izazvati pojavu električnog luka i požar u pećnici.
Papirne kese	Mogu izazvati požar u pećnici.
Plastična pena	Plastična pena može da se istopi ili kontaminira tečnu unutrašnjost kada je izložena visokoj temperaturi.
Drvo	Drvo će se osušiti kada se koristi u mikrotalasnoj pećnici i može se rascepiti ili puknuti.

SPECIFIKACIJE

MODEL	MAG25XF
Nominalni napon/frekvencija	230-240 V~ 50 Hz
Nominalna ulazna snaga (mikrotalasi)	1250 W
Nominalna izlazna snaga (mikrotalasi)	800 W
Nominalna ulazna snaga (grill)	1000 W

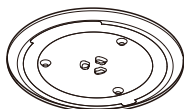
PREGLLED PROIZVODA

Nazivi delova i pribora pećnice

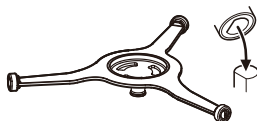
U slučaju bilo kakvih razlika između uređaja i slika u ovom priručniku, proizvod će imati prednost.

Uklonite pećnicu i sve materijale iz kartonskog pakovanja i šupljine pećnice.

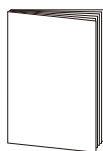
Vaša pećnica dolazi sa sledećim priborom:



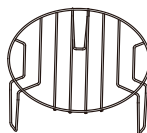
Staklena tacna



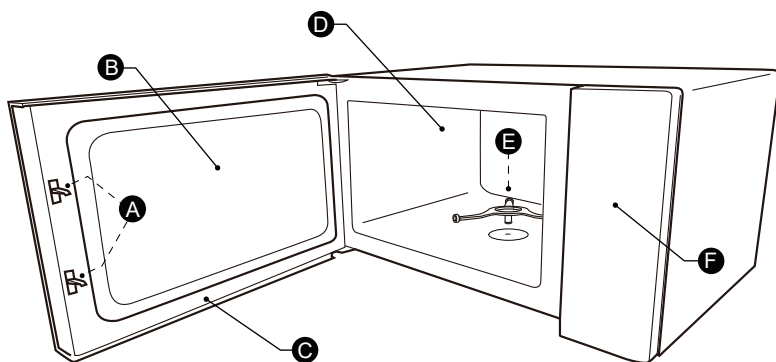
Sklop prstena obrtnog postolja



Uputstva za upotrebu



Rešetka grila (ne može se koristiti sa mikrotalasnom funkcijom i mora se staviti na staklenu tacnu)



- A) Sistem sigurnosne brave
- B) Okno za posmatranje
- C) Sklop vrata

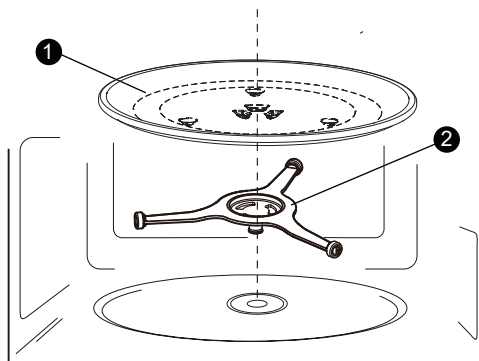
- D) Zid pećnice
- E) Nosač tanjira
- F) Kontrolna tabla

SR

PREGLLED PROIZVODA

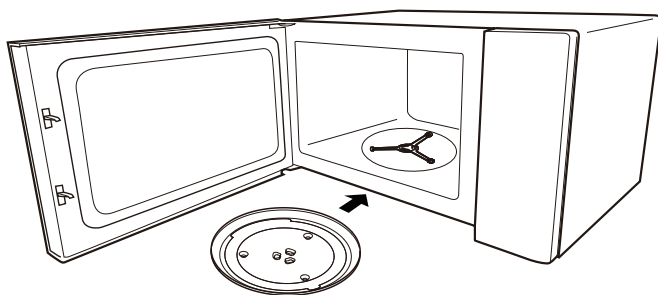
Nazivi delova i pribora pećnice

Čišćenje odeljka za kuvanje i postavljanje obrtnog postolja na mesto. Pri montaži novog uređaja, uverite se da su sva ambalaža i selotejp uklonjeni. Pre upotrebe uređaja za pripremu hrane po prvi put, moraćete da pravilno postavite obrtno postolje. Morate očistiti odeljak za kuvanje i pribor.



1) Stakleni tanjir

2) Nosač tanjira



SR

● NAPOMENE

1. Nikada ne koristite uređaj bez obrtnog postolja. Osigurajte da pravilno naleže. Obrtno postolje se može okretati u smeru kazaljki na satu ili suprotno.
2. Nikada ne postavljajte staklenu tacnu naopako. Staklena tacna nikada ne bi trebalo da bude blokirana.
3. I staklena tacna i sklop prstena obrtnog postolja moraju se uvek koristiti tokom kuvanja.
4. Sva hrana i posude sa hranom uvek se stavljaju na staklenu tacnu za kuvanje.
5. Nikada ne ograničavajte kretanje obrtnog postolja.
6. Ako staklena tacna ili sklop prstena obrtnog postolja napuknu ili se polome, kontaktirajte najbliži ovlašćeni servisni centar.

MONTAŽA PROIZVODA

Montaža na radnoj površini

Uklonite svu ambalažu i pribor. Pregledajte pećnicu da li ima oštećenja kao što su ulubljenja ili slomljena vrata. Ne montirajte ako je pećnica oštećena.

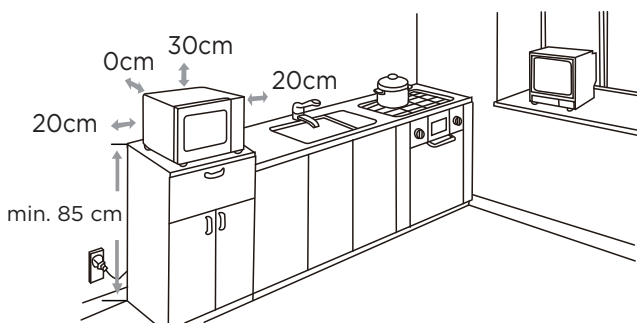
Orman: Uklonite svu zaštitnu foliju koja se nalazi na površini mikrotalasne pećnice. Ne skidajte zaštitni liskun mikrotalasne koji je pričvršćen na zid pećnice, da biste zaštitili magnetron.

Montaža

1. Izaberite ravnu površinu koja ima dovoljno slobodnog prostora za ulazne i/ili izlazne otvore.

- Minimalna visina ugradnje je 85 cm.
- Zadnja površina uređaja treba da bude postavljena uz zid. Ostavite minimalni razmak od 30 cm iznad pećnice. Potreban je minimalni razmak od 20 cm, između pećnice i bilo kojih susednih zidova.
- Ne skidajte nogare sa dna pećnice.
- Blokiranje ulaznih i/ili izlaznih otvora može oštetiti pećnicu.
- Postavite pećnicu što dalje od radija i TV-a. Rad mikrotalasne pećnice može uzrokovati smetnje vašem radio ili TV prijemu.

SR



2. Uključite pećnicu u standardnu kućnu utičnicu.

Uverite se da su napon i frekvencija isti kao napon i frekvencija navedeni na etiketi.

▲ UPOZORENJE

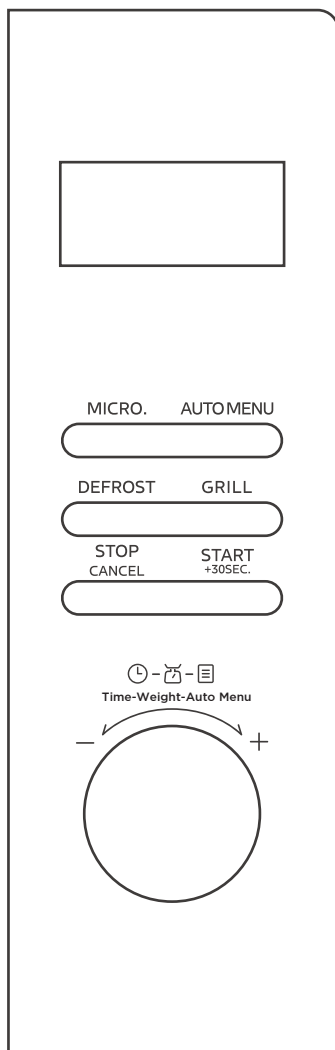
Ne postavljajte pećnicu iznad ploče za kuvanje ili drugog uređaja koji proizvodi toplotu. Ako se pećnica postavi u blizini ili iznad izvora toplote, pećnica se može oštetiti, a garancija će bila nevažeća.



Dostupna površina može biti vruća tokom rada.

RAD

Kontrolna tabla



SR

RAD

1 Kuvanje u mikrotalasnoj pećnici

Nakon što ste priključili pećnicu na struju, na displeju se prikazuje "0:00". Oglasite se zujalica.

Dostupno je 5 nivoa snage.

Snaga	100%	80%	50%	30%	10%
Prikaz	P100	P80	P50	P30	P10

- (1) Pritisnite „MICRO.“ jednom i prikazaće se „P100“.
- (2) Pritiskajte „MICRO.“ više puta ili okrenite dugme da biste podesili nivo snage.
Dostupno je 5 nivoa snage.
- (3) Pritisnite „ $\text{START}_{+30\text{SEC.}}$ “ da biste potvrdili.
- (4) Okrenite dugme da biste podesili vreme kuvanja. Maksimalna vrednost vremena je „95:00“.
- (5) Pritisnite „ $\text{START}_{+30\text{SEC.}}$ “ da biste započeli kuvanje.

NAPOMENE

- (1) Otvaranje vrata pećnice ili pritisakanje „ $\text{STOP}_{\text{CANCEL}}$ “ tokom rada će prekinuti trenutni režim.
- (2) Veličine koraka za podešavanje vremena pomoću prekidača za programiranje su sledeće:

0---1	min	:	5 sekundi
1---5	min	:	10 sekundi
5---10	min	:	30 sekundi
10 ---30	min	:	1 minut
30---95	min	:	5 minuta

2 Kuvanje na roštilju

- (1) Pritisnite „GRILL“ jednom i prikazaće se „G-1“.
- (2) Pritisnite „ $\text{START}_{+30\text{SEC.}}$ “ da biste potvrdili.
- (3) Okrenite dugme da biste podesili vreme kuvanja. Maksimalna vrednost vremena je „95:00“.
- (4) Pritisnite „ $\text{START}_{+30\text{SEC.}}$ “ da biste započeli kuvanje.

NAPOMENA

Zvučni signal će se oglasiti da vas podseti da okrenete hranu tokom kuvanja na rešetki grila.

Ako ne izvršite tu radnju, pećnica će nastaviti da radi.

RAD

3 Odmrzavanje na osnovu težine

- (1) Pritisnite „DEFROST“ jednom i na ekranu će se prikazati „dEF1“.
- (2) Okrenite dugme da biste podesili težinu hrane. Raspon težine je 100-2000 g.
- (3) Pritisnite „^{START}_{+30SEC.}“ da biste započeli odmrzavanje.

NAPOMENA

Zvučni signal će se oglasiti da vas podseti da okrenete hranu tokom odmrzavanja. Ako ne izvršite tu radnju, pećnica će nastaviti da radi.

4 Odmrzavanje na osnovu vremena

- (1) Pritisnite „DEFROST“ dvaput i na ekranu će se prikazati „dEF2“.
- (2) Okrenite dugme da biste podesili željeno vreme odmrzavanja. Maksimalna vrednost vremena je „95:00“.
- (3) Pritisnite „^{START}_{+30SEC.}“ da biste započeli odmrzavanje.

NAPOMENE

- (1) Zvučni signal će se oglasiti da vas podseti da okrenete hranu tokom odmrzavanja. Ako ne izvršite tu radnju, pećnica će nastaviti da radi.
- (2) Snaga odmrzavanja je P30 i ne može se promeniti.

SR

5 Brzo kuvanje

- (1) U režimu pripravnosti, okrenite dugme ulevo da biste podesili vreme kuvanja sa 100% snage. Zatim nastavite da okrećete dugme da biste podesili vreme kuvanja. Pritisnite „^{START}_{+30SEC.}“ da biste započeli kuvanje. Maksimalna vrednost vremena je „95:00“.
- (2) U režimu pripravnosti, pritisnite „^{START}_{+30SEC.}“ da biste kuvali hranu sa 100% nivoa snage 30 sekundi. Svaki pritisak na isto dugme može da produži vreme za 30 sekundi, a maksimalno vreme je 95 minuta.

NAPOMENA

U stanju kuvanja i odmrzavanja prema vremenskom stanju, svaki dodatni pritisak „^{START}_{+30SEC.}“ može povećati vreme kuvanja za 30 sekundi (osim odmrzavanja po težini, automatskog menija i prve faze višestepenog kuvanja).

RAD

6 Kombinovano kuvanje

- (1) Pritisnite „GRILL“ jednom i prikazaće se „G-1“.
- (2) Pritisnite „GRILL“ više puta i pojaviće se „C-1“ i „C-2“.
- (3) Pritisnite **START**_{+30SEC.} da biste potvrdili.
- (4) Okrenite dugme da biste podesili vreme kuvanja. Maksimalna vrednost vremena je „95:00“.
- (5) Pritisnite **START**_{+30SEC.} da biste započeli kuvanje.

Kombinovano kuvanje

Funkcija	Prikaz	Snaga mikrotalasa	Snaga roštilja
Kombinovano 1	C-1	55%	45%
Kombinovano 2	C-2	36%	64%

7 Višefazno kuvanje

Primer: Odmrzavajte hranu 5 minuta, a zatim kuvajte na 80% snage mikrotalasnog pećnice 7 minuta.

- (1) Pritisnite „DEFROST“ dvaput i na ekranu će se prikazati „dEF2“.
- (2) Okrenite dugme da biste podesili željeno vreme odmrzavanja na 5 minuta.
- (3) Pritisnite „MICRO.“ jednom i prikazaće se „P100“.
- (4) Pritiskajte „MICRO.“ više puta ili okrenite dugme da biste podesili nivo snage.
- (5) Pritisnite **START**_{+30SEC.} da biste potvrdili snagu mikrotalasnog pećnice.
- (6) Okrenite dugme da biste podesili vreme kuvanja na 7 minuta.
- (7) Pritisnite **START**_{+30SEC.} da biste započeli kuvanje.

NAPOMENE

- (1) U višefaznom kuvanju mogu se podesiti dve faze kuvanja.
- (2) Ako podesite funkciju odmrzavanja, ona će raditi automatski u prvoj fazi.
- (3) Kuhinjski tajmer i automatski meni se ne mogu podesiti kao jedna od faza.

RAD

8 Automatski meni

- (1) Pritisnite "AUTO MENU" jednom ili okrenite dugme udesno i prikazaće se "A-01".
- (2) Nastavite da okrećete dugme da biste izabrali meni koji vam je potreban.
Dostupno je 8 automatskih menija.
- (3) Pritisnite **START** " +30SEC." da biste potvrdili.
- (4) Okrenite dugme da biste podesili težinu hrane.
- (5) Pritisnite **START** " +30SEC." da biste započeli kuvanje.

Tabela za automatsko kuvanje

Meni	Weight (Težina)	Prikaz	Snaga
A-01 Automatsko podgrevanje	200 g	200	P100
	400g	400	
A-02 Meso	250g	250	
	350g	350	
	450g	450	
A-03 Sveže povrće	200 g	200	
	300g	300	
	400g	400	
A-04 Testenina	50g	50	
	100g	100	
A-05 Krompir	1(230 g)	1	P100
	2 (460g)	2	
	3 (690g)	3	
A-06 Riba	250g	250	P80
	350g	350	
	450g	450	

SR

RAD

Meni	Weight (Težina)	Prikaz	Snaga
A-07 Piće	1 šoljica (120ml)	1	P100
	2 šoljice (240ml)	2	
	3 šoljice (360ml)	3	
A-08 Kokice	50g	50	P50
	100g	100	
A-09 Hleb	50g	50	P50
	100g	100	
	150g	150	
	200 g	200	P100+P80+P50
	250g	250	
	350g	350	
	500g	500	
700g	700		

SR

9. Funkcija zaključavanja za decu

Ovu funkciju možete koristiti da biste sprečili decu da slučajno uključe pećnicu.

Da biste aktivirali zaključavanje:

U režimu pripravnosti pritisnite i držite „STOP
CANCEL“ tri sekunde. Čuće se zvučni signal i prikazaće se „□□□“.

Da biste deaktivirali zaključavanje:

U zaključanom stanju, pritisnite i držite „STOP
CANCEL“ tri sekunde. Čuće se zvučni signal.

10% Funkcija upita

- (1) U stanju kuvanja, pritisnite „MICRO.“ da biste saznali nivo snage. Prikazaće se na tri sekunde.
- (2) U režimu grila i kombinovanom režimu kuvanja, pritisnite "GRILL" da biste videli režim kuvanja. Prikazaće se na tri sekunde.


REŠAVANJE PROBLEMA

Normalno	
Mikrotalasna pećnica ometa TV prijem	Radio i TV prijem mogu imati smetnje kada mikrotalasna pećnica radi. Slično je ometanju od strane malih električnih uređaja kao što su mikser, usisivač i električni ventilator. To je normalno.
Prigušeno svetlo u pećnici	Pri mikrotalasnom kuvanju malom snagom, svetlo u pećnici može postati prigušeno. To je normalno.
Para se nakuplja na vratima, vruć vazduh izlazi iz ventilacionih otvora	Tokom kuvanja, para može izlaziti iz hrane. Većina će izaći kroz ventilacione otvore. Ali deo se može nakupiti na hladnom mestu kao što su vrata pećnice. To je normalno.
Pećnica je slučajno uključena bez hrane.	Zabranjeno je pokretanje uređaja bez hrane. To je veoma opasno.

Problem	Mogući uzrok	Rešenje
Pećnica se ne može pokrenuti.	(1) Kabl za napajanje nije čvrsto priključen.	Isključite ga. Zatim ga ponovo uključite posle 10 sekundi.
	(2) Pregoreo je osigurač ili se aktivirao prekidač strujnog kola.	Zamenite osigurač ili ponovo podesite prekidač strujnog kola (popravku može da obavi stručno osoblje naše kompanije)
	(3) Problem sa utičnicom.	Testirajte utičnicu sa drugim električnim uređajima.
Pećnica se ne zagreva.	(4) Vrata nisu dobro zatvorena.	Dobro zatvorite vrata.

SR

ŽIGOVI, AUTORSKA PRAVA I PRAVNA IZJAVA

 Midea logotip, slovni žigovi, trgovački naziv, robna marka i sve njihove verzije su vredna imovina Midea Grupe i/ili njenih filijala („Midea“), kod kojih Midea poseduje žigove, autorska prava i druga prava intelektualne svojine, kao i svu dobru volju proisteklu iz korišćenja bilo kog dela zaštitnog znaka Midea. Korišćenje zaštitnog znaka Midea u komercijalne svrhe bez prethodne pismene saglasnosti Midea može predstavljati povredu zaštitnog znaka ili nelojalnu konkurenciju u suprotnosti sa relevantnim zakonima.

Ovaj priručnik je kreirala Midea i Midea zadržava sva autorska prava. Nijedan pravni subjekt ili pojedinac ne može koristiti, umnožavati, modifikovati, distribuirati u celini ili delimično ovaj priručnik, ili združivati ili prodavati sa drugim proizvodima bez prethodne pismene saglasnosti Midea.

Sve opisane funkcije i uputstva su bile ažurne u vreme štampanja ovog uputstva. Međutim, stvarni proizvod može da se razlikuje zbog poboljšanja funkcija i dizajna.

ODLAGANJE I RECIKLAŽA

Važna uputstva vezano za životnu sredinu

Usklađenost sa WEEE direktivom i odlaganje otpadnih proizvoda:

Ovaj proizvod je usklađen sa EU WEEE direktivom (2012/19/EU). Ovaj proizvod nosi klasifikacioni simbol za otpadnu električnu i elektronsku opremu (WEEE).

Ovaj simbol označava da se ovaj proizvod ne sme odlagati sa drugim kućnim otpadom na kraju svog radnog veka. Korišćeni uređaj se mora vratiti na zvanično sabirno mesto za reciklažu električnih elektronskih uređaja. Da biste pronašli ove sisteme za sakupljanje, obratite se lokalnim nadležnim organima ili prodavcu kod koga je proizvod kupljen. Svako domaćinstvo ima važnu ulogu u obnavljanju i reciklaži starih uređaja. Odgovarajuće odlaganje korišćenog uređaja pomaže u sprečavanju potencijalnih negativnih posledica po životnu sredinu i ljudsko zdravlje.



Usklađenost sa RoHS direktivom

Proizvod koji ste kupili je u skladu sa EU RoHS direktivom (2011/65/EU). Ne sadrži štetne i zabranjene materijale navedene u Direktivi.

Informacije o pakovanju

Ambalaža proizvoda je proizvedena od materijala koji se mogu reciklirati u skladu sa našim nacionalnim propisima o zaštiti životne sredine. Nemojte odlagati ambalažu zajedno sa kućnim ili drugim otpadom. Odnosite je na mesta za sakupljanje ambalaže koja su odredile lokalne vlasti.



SR

OBAVEŠTENJE O ZAŠTITI PODATAKA

Vezano za pružanje usluga ugovorenih sa kupcem, saglasni smo da ćemo se bez ograničenja pridržavati svih odredbi važećeg zakona o zaštiti podataka u zemljama u kojima će usluge klijentu biti isporučene, kao i, gde je primenjivo, Opšte uredbe EU o zaštiti podataka (GDPR).

Generalno, obradu podataka vršimo da bismo ispunili našu obavezu prema ugovoru sa vama, iz razloga bezbednosti proizvoda i radi zaštite vaših prava u vezi sa garancijom i registracijom proizvoda. U nekim slučajevima, ali samo ako je obezbeđena odgovarajuća zaštita podataka, lični podaci se mogu preneti primaocima koji se nalaze izvan Evropskog ekonomskog prostora.

Dodatne informacije se daju na zahtev. Možete kontaktirati našeg službenika za zaštitu podataka putem **MideaDPO@midea.com**. Da biste ostvarili svoja prava, kao što je pravo na prigovor na obradu vaših ličnih podataka u svrhe direktnog marketinga, kontaktirajte nas putem **MideaDPO@midea.com**. Da biste pronašli dodatne informacije, pratite QR kod.

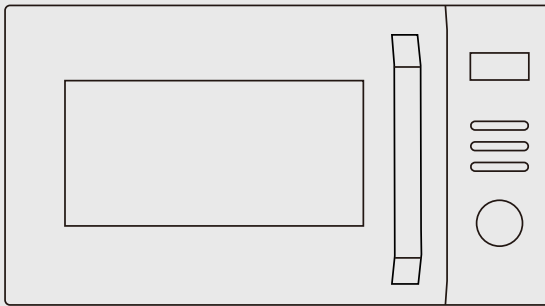


make yourself at home



www.midea.com

© Midea 2024. Sva prava zadržana



MIKROVALNA PEĆNICA

KORISNIČKI PRIRUČNIK

MAG25XF

Napomene: Prije upotrebe ovog proizvoda, pažljivo pročitajte ovaj priručnik i sačuvajte ga za buduću upotrebu. Dizajn i specifikacije mogu se promijeniti bez prethodne najave radi poboljšanja proizvoda.

Za pojedinosti se obratite dobavljaču ili proizvođaču.

Gornji dijagram služi samo kao referenca. Uzmite u obzir izgled stvarnog proizvoda.

PISMO ZAHVALE

Hvala što ste odabrali tvrtku Midea! Prije korištenja novog proizvoda tvrtke Midea temeljito pročitajte ovaj priručnik kako biste bili sigurni da znate na siguran način upravljati značajkama i funkcijama svog novog aparata.

SADRŽAJ

PISMO ZAHVALE	02
SIGURNOSNE UPUTE	03
SPECIFIKACIJE	12
PREGLED PROIZVODA	13
POSTAVLJANJE PROIZVODA	15
UPOTREBA	17
RJEŠAVANJE PROBLEMA	23
ROBNE MARKE, AUTORSKA PRAVA I PRAVNA IZJAVA	24
ZBRINJAVANJE I RECIKLIRANJE	25
OBAVIJEST O ZAŠTITI PODATAKA	26

SIGURNOSNE UPUTE

Predviđena upotreba

Sigurnosne smjernice u nastavku namijenjene su sprečavanju nepredviđenih rizika ili štete zbog nesigurne ili nepravilne uporabe aparata. Provjerite ambalažu i aparat prilikom primanja kako biste bili sigurni da je sve nedirnuto i osigurali siguran rad. Ako otkrijete bilo kakvo oštećenje, obratite se prodavaču ili distributeru. Treba napomenuti da iz sigurnosnih razloga nisu dopuštene preinake ili izmjene na uređaju. Korištenje proizvoda nesukladno njegovoj namjeni može dovesti do gubitka prava na potraživanja po jamstvu.

Objašnjenje simbola



Opasnost

Ovaj simbol označava da postoji opasnost za život i zdravlje osoba zbog izuzetno zapaljivog plina.



Upozorenje na električni napon

Ovaj simbol označava da postoji opasnost za život i zdravlje osoba zbog napona.



Upozorenje

Signalna riječ označava opasnost sa srednjom razinom rizika koja, ako je ne izbjegnute, može rezultirati smrću ili ozbiljnom ozljedom.



Oprez

Signalna riječ označava opasnost s niskim stupnjem rizika, koja, ako je ne izbjegnute, može rezultirati manjom ili umjerenom ozljedom.



Pažnja

Signalna riječ označava važnu informaciju (npr. oštećenje imovine), ali ne opasnost.



Pridržavajte se uputa

Simbol označava da bi aparatom trebao upravljati isključivo servisni tehničar u skladu s uputama za uporabu.

Pažljivo pročitajte ove upute za uporabu prije korištenja/stavljanja u pogon uređaja i čuvajte ih u neposrednoj blizini mjesta ugradnje ili uređaja za kasniju uporabu!

MJERE OPREZA ZA IZBJEGAVANJE MOGUĆEG IZLAGANJA PREKOMJERNOJ MIKROVALNOJ ENERGIJI

- a. Ne pokušavajte upotrebljavati pećnicu dok su joj vrata otvorena jer to može dovesti do štetnog izlaganja mikrovalnoj energiji.
Važno je da ne slomite i da neovlašteno ne mijenjate sigurnosne blokade.
- b. Ne stavljajte bilo kakve predmete između prednje vanjske strane pećnice i vrata i ne dopustite da se prljavština ili ostaci sredstva za čišćenje nakupe na brtvenim površinama.
- c. Nemojte upotrebljavati pećnicu ako je oštećena. Osobito je važno da se vrata pećnice pravilno zatvore i da nema oštećenja na sljedećim dijelovima:
 - VRATA (savijena)
 - ŠARKE I ZASUNI (slomljeni ili olabavljeni)
 - BRTVE VRATA I BRTVENE POVRŠINE
- d. Pećnicu smije namještati ili popravljati samo kvalificirano servisno osoblje.

HR

DODATAK

Ako se uređaj ne održava čistim, njegova bi se površina mogla oštetiti i to bi moglo utjecati na životni vijek uređaja te dovesti do opasne situacije.

VAŽNE UPUTE ZA SIGURNOST

Kako bi se smanjio rizik od požara, strujnog udara, tjelesnih osoba ili izlaganja prekomjernoj mikrovalnoj energiji tijekom korištenja uređaja, pridržavajte se osnovnih mjera opreza, što uključuje sljedeće:

▲ UPOZORENJE

- Pročitajte i slijedite određene: "MJERE OPREZA ZA IZBJEGAVANJE MOGUĆEG IZLAGANJA PREKOMJERNOJ MIKROVALNOJ ENERGIJI".
- Ovaj uređaj mogu koristiti djeca u dobi od 8 godina i više i osobe sa smanjenim fizičkim, senzornim ili mentalnim sposobnostima ili nedostatkom iskustva i znanja ako su dobili nadzor ili upute o korištenju uređaja na siguran način i svjesni su potencijalnih opasnosti. Djeca se ne mogu igrati s uređajem. Čišćenje i održavanje djeca ne smiju obavljati bez nadzora.
- Držite uređaj i njegov kabel izvan dohvata djece mlađe od 8 godina.
- Ako je kabel za napajanje oštećen, proizvođač, njegov servis ili slične kvalificirane osobe moraju ga zamijeniti kako bi se izbjegla opasnost.
- UPOZORENJE: Uređaj isključite prije zamjene lampe kako biste izbjegli mogućnost električnog udara.
- UPOZORENJE: Opasno je da bilo tko osim ovlaštene osobe obavlja servis ili popravak koji uključuje uklanjanje poklopcu koji štiti od izlaganja mikrovalnoj energiji.
- UPOZORENJE: Tekućine i drugu hranu ne smijete grijati u zatvorenim spremnicima jer bi mogli eksplodirati.
- Kod zagrijavanja hrane u plastičnim i papirnatim posudama pazite na pećnicu zbog mogućeg zapaljenja.
- Koristite samo posuđe koji je prikladan za korištenje u mikrovalnim pećnicama.

- Ako se pojavi dim, isključite ili iskopčajte aparat iz struje i ostavite vrata zatvorenima kako biste ugušili plamen.
- Zagrijavanje pića u mikrovalnoj pećnici može dovesti do odgođenog eruptivnog vrenja, stoga treba biti oprezan pri rukovanju spremnikom.
- Sadržaj bočica za djecu i staklenki s dječjom hranom treba promiješati ili protresti, a prije upotrebe morate provjeriti temperaturu kako biste izbjegli opekline.
- Jaja u ljusci i cijela tvrdokuhana jaja ne smiju se zagrijavati u mikrovalnoj pećnici jer bi mogla eksplodirati, čak i nakon završetka zagrijavanja u mikrovalnoj pećnici.
- Pećnicu treba redovito čistiti i ukloniti sve ostatke hrane.
- Neodržavanje pećnice u čistom stanju moglo bi dovesti do propadanja površine, a to bi moglo negativno utjecati na vijek trajanja uređaja i moguće dovesti do opasne situacije.
- Uređaj ne smijete postaviti iza dekorativnih vrata kako biste izbjegli pregrijavanje. (Ovo se ne odnosi na uređaje s dekorativnim vratima.)
- Služite se isključivo temperaturnom sondom preporučenom za ovu pećnicu. (Za pećnice opremljene uređajem za primjenu sonde za osjet temperature.)
- Mikrovalnu pećnicu ne smijete postavljati u ormarić osim ako nije testirana u ormariću.
- Mikrovalnu pećnicu morate koristiti s otvorenim dekorativnim vratima. (za pećnice s dekorativnim vratima.)
- Ovaj uređaj je namijenjen za korištenje u domaćinstvu i slične primjene kao što su:
 - prostori kuhinja za osoblje u trgovinama, uredima i drugim radnim okruženjima;
 - za klijente u hotelima, motelima i drugim objektima rezidencijalnog tipa;
 - seoske kuće;
 - za ugostiteljske objekte koji nude noćenje i doručak.
- Mikrovalna pećnica namijenjena je zagrijavanju hrane i pića. Sušenje hrane ili odjeće te zagrijavanje jastučića za

grijanje, papuča, spužvi, vlažnih krpa i slično može dovesti do opasnosti od ozljeda, zapaljenja ili požara.

- Metalni spremnici za hranu nisu dozvoljeni tijekom kuhanja u mikrovalnoj pećnici.
- Uređaj ne smijete čistiti parnim čitačem.
- Uređaj je dizajniran kao samostojeći.
- Stražnju površinu uređaja postavite uza zid.
- Uređaj nije namijenjen za upravljanje pomoću vanjskog mjerača vremena ili zasebnog sustava daljinskog upravljanja.
- Temperatura dostupnih površina može biti visoka dok uređaj radi.

▲ UPOZORENJE

Kada uređaj radi u kombiniranom načinu rada, djeca bi trebala koristiti pećnicu samo pod nadzorom odrasle osobe zbog stvorenih temperatura.

**PAŽLJIVO PROČITAJTE I SAČUVAJTE
ZA BUDUĆU UPOTREBU
SAMO ZA UPOTREBU U KUĆANSTVU
(NIJE ZA KOMERCIJALNU UPOTREBU)**

KAKO SMANJITI RIZIK OZLJEDA ZA OSOBE KOJE UGRAĐUJU UZEMLJENJE

⚠ OPASNOST

Opasnost od strujnog udara:

Dodirivanje nekih unutarnjih komponenti može dovesti do ozbiljne ozljede ili smrti. Nemojte rastavljati uređaj.

⚠ UPOZORENJE

Opasnost od strujnog udara:

Neppravilno uzemljenje može dovesti do strujnog udara.

Nemojte ukopčavati u utičnicu dok aparat nije pravilno postavljen i uzemljen.

Uređaj mora biti uzemljen. U slučaju da dođe do električnog kratkog spoja, uzemljenje smanjuje rizik od strujnog udara pružajući izlaznu žicu kojom električna struja može izaći.

Uređaj je opremljen kabelom sa žicom za uzemljenje i utikačem za uzemljenje. Utikač mora biti ukopčan u utičnicu koja je pravilno postavljena i uzemljena.

Obratite se kvalificiranom električaru ili serviseru ako u potpunosti ne razumijete upute za uzemljavanje ili ako postoji sumnja je li uređaj pravilno uzemljen.

Ako je potrebno upotrebljavati produžni kabel, koristite samo 3-žilni produžni kabel.

1. Isporučuje se kratki strujni kabel kako bi se smanjio rizik od zapetljanja ili spoticanja o duži kabel.
2. Ako se koristi dugi strujni kabel ili produžni kabel:
 - 1) Navedena električna ocjena kompleta kabela ili produžnog kabela trebala bi biti barem jednako velika kao i nazivna struja uređaja.
 - 2) Produžni kabel mora biti 3-žilni uzemljeni kabel.

3) Dugi kabel treba složiti tako da ne prelazi preko radne površine ili stola gdje ga djeca mogu povući ili se slučajno spotaknuti o njega.

Ovaj uređaj pripada grupi 2 ISM opreme klase B. Grupa 2 obuhvaća svu ISM (industrijsku, znanstvenu i medicinsku) opremu u kojoj se namjerno stvara i/ili upotrebljava radiofrekvencijska energija u obliku elektromagnetskog zračenja za obradu materijala te opremu za eroziju s iskrom. Oprema klase B prikladna je za upotrebu u kućanstvu i objektima koji su izravno priključeni na niskonaponsku električnu mrežu.

ČIŠĆENJE

Svakako odspojite uređaj iz strujne mreže.

1. Unutrašnje stijene pećnice nakon korištenja obrišite vlažnom krpom.
2. Na uobičajen način sapunicom očistite pribor.
3. Ako su prljavi, okvir vrata, brtvu i susjedne dijelove morate pažljivo očistiti vlažnom krpom.
4. Nemojte koristiti gruba abrazivna sredstva za čišćenje ili oštre metalne strugače za čišćenje stakla na vratima pećnice jer mogu ogrebat površinu, što može dovesti do pucanja stakla.
5. Savjet za čišćenje – radi lakšeg čišćenja stijenki šupljine koje može dodirnuti kuhana hrana: Stavite pola limuna u posudu, dodajte 300 ml vode i 10 minuta zagrijavajte na 100 % snage mikrovalne pećnice. Pećnicu brišite čistom, suhom krpom.

POSUĐE

OPREZ

Opasnost od tjelesne ozljede:

Opasno je da bilo tko osim ovlaštene osobe obavlja servis ili popravak koji uključuje uklanjanje poklopca koji štiti od izlaganja mikrovalnoj energiji.

Pogledajte upute o "Materijalima koje možete upotrebljavati u mikrovalnoj pećnici ili koje treba izbjegavati u mikrovalnoj pećnici". Možda postoji određeni nemetalni posuđe koji nije sigurno koristiti u mikrovalnoj pećnici. Ako niste sigurni, možete testirati posuđe slijedeći postupak u nastavku.

Testiranje kuhinjskog pribora:

- Napunite posudu koju je sigurno upotrebljavati u mikrovalnoj pećnici 1 šalicom hladne vode (250 ml) zajedno s tim posuđem.
- Kuhajte na maksimalnoj snazi u trajanju od 1 minute.
- Pažljivo opipajte pribor. Ako je pribor topao, nemojte ga koristiti u mikrovalnoj pećnici.
- Nemojte kuhati dulje od 1 minute.

Materijali koje smijete upotrebljavati u mikrovalnoj pećnici

Posuđe	Primjedbe
Posuđe od pirokeramičkog materijala	Slijedite upute proizvođača. Dno pirokeramičke posude mora biti barem 5 mm iznad okretno platforme. Nepravilna upotreba može dovesti to pucanja okretno platforme.
Stolno posuđe	Samo posuđe koje se smije koristiti u mikrovalnoj pećnici. Slijedite upute proizvođača. Nemojte upotrebljavati napuknuto ili okrhuto posuđe.
Staklenke	Uvijek uklonite poklopac. Upotrebljavajte samo za zagrijavanje hrane. Većina staklenki nije otporna na toplinu i može napuknuti.
Stakleno posuđe	Samo stakleno posuđe otporno na toplinu. Na posudu ne smije biti metalnih dijelova. Nemojte upotrebljavati napuknuto ili okrhuto posuđe.
Vrećice za kuhanje u pećnici	Slijedite upute proizvođača. Nemojte zatvarati metalnim vezicama. Napravite proreze kako bi para mogla izaći.
Papirnati tanjuri i čaše	Upotrebljavajte samo za kratkotrajno kuhanje/zagrijavanje. Ne ostavljajte mikrovalnu pećnicu bez nadzora tijekom kuhanja.
Papirnati ručnici	Koriste se za pokrivanje hrane za podgrijavanje te za upijanje masnoće. Upotrebljavajte uz nadzor samo za kratkotrajno kuhanje.
Pergamentni papir	Upotrebljavajte kao pokrivalo za sprječavanje prskanja ili kao omotač za kuhanje na pari.
Plastika	Samo posuđe koje se smije koristiti u mikrovalnoj pećnici. Slijedite upute proizvođača. Trebalo bi biti označeno "Sigurno za mikrovalnu pećnicu". Neke plastične posude omekšavaju kad se hrana u njima zagrije. "Vrećice za kuhanje" i čvrsto zatvorene plastične vrećice treba razrezati, probušiti ili na drugi način odzračiti prema uputama na pakiranju.
Plastična folija	Samo posuđe koje se smije koristiti u mikrovalnoj pećnici. Upotrebljavajte za pokrivanje hrane tijekom kuhanja kako biste zadržali vlagu. Ne dopustite da plastična folija dodirne hranu.
Termometri	Samo prikladni za mikrovalnu pećnicu (termometri za meso i slatkiše).
Voštani papir	Upotrebljavajte kao pokrivalo za sprečavanje prskanja i zadržavanje vlage.

Materijali koje treba izbjegavati u mikrovalnoj pećnici

Posuđe	Primjedbe
Pladanj od aluminija	Može uzrokovati iskenje. Hranu prebacite u posudu za mikrovalnu pećnicu.
Kartonska kutija za hranu s metalnom ručkom	Može uzrokovati iskenje. Hranu prebacite u posudu za mikrovalnu pećnicu.
Metalno posuđe ili posuđe s metalnom oblogom	Metal štiti hranu od mikrovalne energije. Metalne obloge mogu uzrokovati iskenje.
Metalni žični zatvarači	Mogu uzrokovati iskenje i požar u pećnici.
Papirnatu vrećice	Mogu uzrokovati požar u pećnici.
Plastična pjena	Plastična pjena može se otopiti ili kontaminirati tekućinu u spremniku kada je izložena visokoj temperaturi.
Drvo	Drvo će se isušiti kada se koristi u mikrovalnoj pećnici, a to može dovesti do rascijepljanja ili pucanja.

SPECIFIKACIJE

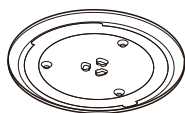
Model	MAG25XF
Nazivni napon/ frekvencija	230 – 240 V~50 Hz
Nazivna mikrovalna snaga – ulaz	1250 W
Nazivna mikrovalna snaga – izlaz	800 W
Nazivna mikrovalna snaga (roštilj)	1000 W

PREGLLED PROIZVODA

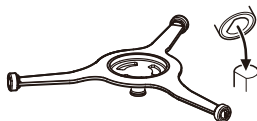
Nazivi dijelova pećnice i pribora

U slučaju da postoje bilo kakve razlike između uređaja i slika u ovom priručniku, proizvod će imati prednost.

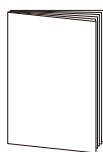
Pećnicu i sve materijale izvadite iz kutije. Također izvadite sve iz unutrašnjosti pećnice. Pećnica dolazi sa sljedećim dodacima:



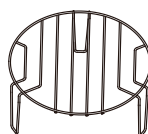
Stakleni pladanj



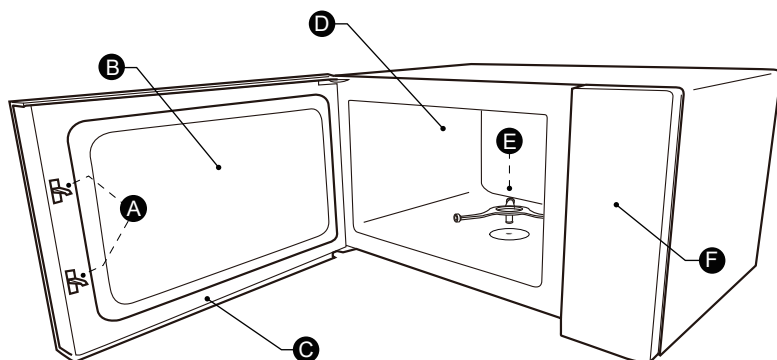
Sklop Prstena Okretne Platforme



Korisnički priručnik



Rešetka za roštilj (ne može se upotrebljavati u funkciji mikrovalne pećnice i mora se staviti na stakleni pladanj)



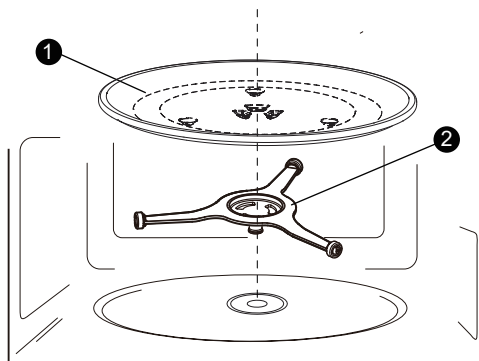
A) Sigurnosni sustav za zaključavanje
B) Okno za promatranje
C) Sklop vrata

D) Unutrašnjost pećnice
E) Sklop prstena okretne platforme
F) Upravljačka ploča

PREGLED PROIZVODA

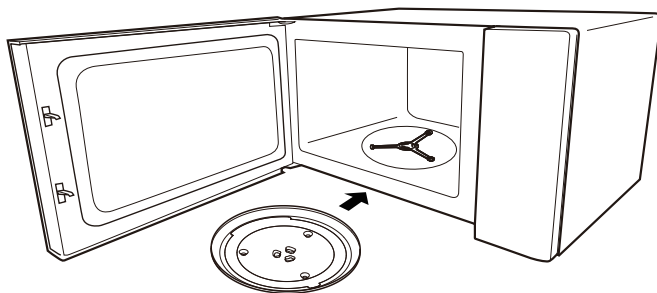
Nazivi dijelova pećnice i pribora

Čišćenje odjeljka za kuhanje i postavljanje okretnog tanjura na mjesto. Za nove instalacije provjerite jesu li uklonjene sve ambalažne i transportne trake. Prije prve upotrebe uređaja za pripremu hrane morat ćete pravilno postaviti okretni tanjur. Morate očistiti odjeljak za kuhanje i pribor.



1) Stakleni pladanj

2) Sklop prstena okretne platforme



HR

● NAPOMENE

1. Nikada nemojte koristiti uređaj bez okretnog tanjura. Uvjerite se da je ispravno učvršćen. Okretni se tanjur se može okretati u smjeru kazaljke na satu ili u suprotnom smjeru.
2. Nikada naopačke ne stavljajte stakleni pladanj. Staklenu pliticu nikada ne smije biti ograničavati u kretanju.
3. Tijekom kuhanja uvijek se moraju koristiti i staklena plitica i sklop prstena okretne platforme.
4. Sva hrana i spremnici hrane uvijek se stavljaju na staklenu pliticu za kuhanje.
5. Nikada nemojte ograničavati kretanje okretnog tanjura.
6. Ako staklena plitica ili sklop prstena za okretanje pukne ili se slome, obratite se najbližem ovlaštenom servisu.

POSTAVLJANJE PROIZVODA

Postavljanje na radnu površinu

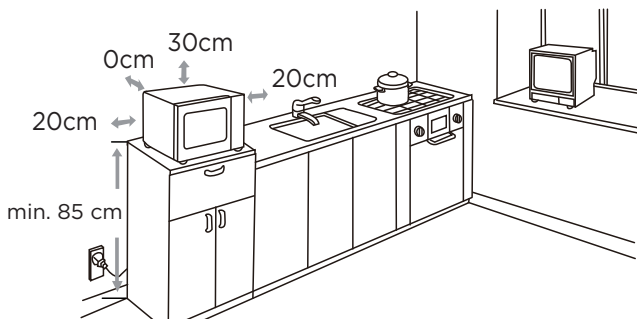
Uklonite sav ambalažni materijal i pribor. Pregledajte ima li pećnica bilo kakva oštećenja kao što su udubljenja ili slomljena vrata. Nemojte postavljati pećnicu ako je oštećena.

Ormarić: Uklonite svu zaštitnu foliju s površine kućišta mikrovalne pećnice. Nemojte uklanjati svjetlosmeđi poklopac od tinjca koji je pričvršćen na unutrašnjost pećnice radi zaštite magnetrona.

POSTAVLJANJE

1. Odaberite ravnu površinu koja osigurava dovoljno otvorenog prostora za usisne i/ili izlazne otvore.

- Minimalna visina postavljanja je 85 cm.
- Stražnju površinu uređaja postavite uza zid. Iznad pećnice ostavite najmanje 30 cm slobodnog prostora. Između pećnice i susjednih zidova potrebno je ostaviti najmanje 20 cm slobodnog prostora.
- Ne uklanjajte nožice s dna pećnice.
- Blokiranje ulaznih i/ili izlaznih otvora može oštetiti pećnicu.
- Pećnicu postavite što dalje od radija i TV prijamnika. Rad mikrovalne pećnice može uzrokovati smetnje pri radijskog ili TV prijama.



2. Priključite pećnicu na standardnu kućnu strujnu utičnicu.
Provjerite jesu li napon i frekvencija isti kao napon i frekvencija na pločici s podacima.

▲ UPOZORENJE

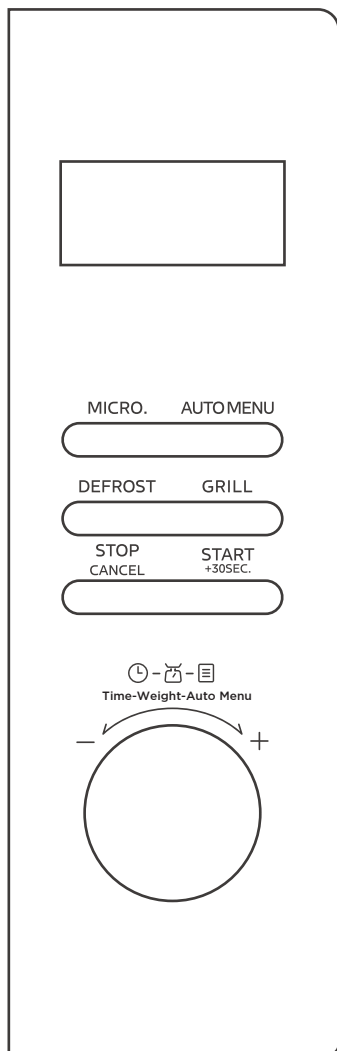
Pećnicu nemojte postavljati iznad ploče za kuhanje ili drugog uređaja koji proizvodi toplinu. Ako se postavi u blizini ili iznad izvora topline, pećnica bi se mogla oštetiti i jamstvo više neće važiti.



Dostupna površina može se zagrijati tijekom rada.

UPOTREBA

Upravljačka ploča



HR

UPOTREBA

1. Kuhanje u mikrovalnoj pećnici

Nakon spajanja pećnice na napajanje, na zaslonu se prikazuje "0:00". Oglašava se zvučni signal.

Dostupno je 5 stupnjeva snage.

Napajanje	100%	80%	50%	30%	10%
Zaslon	P100	P80	P50	P30	P10

- (1) Pritisnite "MICRO." jednom i na zaslonu će se prikazati "P100".
- (2) Pritišćite "MICRO." više puta ili okrenite gumb kako biste postavili stupanj snage.
Dostupno je 5 stupnjeva snage.
- (3) Pritisnite "START"
+30SEC." za potvrdu.
- (4) Okrenite gumb za podešavanje vremena kuhanja. Maksimalna vrijednost vremena je "95:00".
- (5) Pritisnite "START"
+30SEC." kako biste započeli s kuhanjem.

Napomene

- (1) Otvaranje vrata pećnice ili pritisnjanje gumba "STOP
CANCEL" tijekom rada prekida trenutačni način rada.
- (2) Količine koraka za vrijeme podešavanja prekidača za kodiranje su sljedeće:
0---1 min : 5 sekundi
1---5 min : 10 sekundi
5---10 min : 30 sekundi
10---30 min : 1 minuta
30---95 min : 5 minuta

HR

2. Kuhanje na rešetci

- (1) Pritisnite "GRILL" jednom i na zaslonu će se prikazati "G-1".
- (2) Pritisnite "START"
+30SEC." za potvrdu.
- (3) Okrenite gumb za podešavanje vremena kuhanja. Maksimalna vrijednost vremena je "95:00".
- (4) Pritisnite "START"
+30SEC." kako biste započeli s kuhanjem.

Napomena

Zvučni signal podsjetit će vas da preokrenete hranu tijekom kuhanja s funkcijom roštilja.
Ako to ne napravite, pećnica će nastaviti s radom.

UPOTREBA

3. Odmrzavanje prema težini

- (1) Pritisnite "DEFROST" jednom i na zaslonu će se prikazati "dEF1".
- (2) Okrenite gumb kako biste postavili težinu hrane. Raspon težine je 100 – 2000 g.
- (3) Pritisnite "START_{+30SEC.}" kako biste započeli s odmrzavanjem.

Napomena

Zvučni signal će vas podsjetiti da preokrenete hranu tijekom odmrzavanja. Ako to ne napravite, pećnica će nastaviti s radom.

4. Odmrzavanje prema vremenu

- (1) Pritisnite "DEFROST" dvaput i na zaslonu će se prikazati "dEF2".
- (2) Okrenite gumb kako biste postavili vrijeme kuhanja. Maksimalna vrijednost vremena je "95:00".
- (3) Pritisnite "START_{+30SEC.}" kako biste započeli s odmrzavanjem.

Napomene

- (1) Zvučni signal će vas podsjetiti da preokrenete hranu tijekom odmrzavanja. Ako to ne napravite, pećnica će nastaviti s radom.
- (2) Snaga odmrzavanja je P30 i ne može se promijeniti.

HR

5. Brzo kuhanje

- (1) U stanju pripravnosti okrenite gumb ulijevo za postavljanje vremena kuhanja sa 100 % snage. Nastavite okretati gumb kako biste namjestili vrijeme kuhanja. Zatim pritisnite "START_{+30SEC.}" za početak kuhanja. Maksimalna vrijednost vremena je "95:00".
- (2) U stanju pripravnosti pritisnite "START_{+30SEC.}" za kuhanje hrane sa 100 % snage 30 sekundi. Svaki pritisak na istu tipku može produžiti trajanje kuhanja za 30 sekundi, pri čemu je maksimalna vremenska vrijednost "95:00".

Napomena

Pri kuhanju i odmrzavanju prema vremenu, svaki dodatni pritisak na "START_{+30SEC.}" može produžiti vrijeme kuhanja za 30 sekundi (osim odmrzavanja prema težini, automatskog izbornika i prve faze višefaznog kuhanja).

UPOTREBA

6. Kombinirano kuhanje

- (1) Pritisnite "GRILL" jednom i na zaslonu će se prikazati "G-1".
- (2) Više puta pritisnite "GRILL" ili okrenite gumb i prikazat će se "C-1", "C-2".
- (3) Pritisnite "START"
+30SEC." za potvrdu.
- (4) Okrenite gumb za podešavanje vremena kuhanja. Maksimalna vrijednost vremena je "95:00".
- (5) Pritisnite "START"
+30SEC." kako biste započeli s kuhanjem.

Tablica kombiniranog kuhanja

Funkcija	Zaslon	Snaga mikrovalova	Snaga roštilja
Komb. 1	C-1	55%	45%
Komb. 2	C-2	36%	64%

7. Višefazno kuhanje

Primjer: Hranu odmrzavajte 5 minuta, a zatim je 7 minuta kuhajte s 80 % mikrovalne snage.

- (1) Pritisnite "DEFROST" dvaput i na zaslonu će se prikazati "dEF2".
- (2) Okrenite gumb kako biste postavili željeno vrijeme odmrzavanja na 5 minuta.
- (3) Pritisnite "MICRO." jednom i na zaslonu će se prikazati "P100".
- (4) Pritisnite "MICRO." ponovno ili okrenite gumb kako biste stupanj snage postavili na P80.
- (5) Pritisnite "START"
+30SEC." za potvrdu snage mikrovalne pećnice.
- (6) Okrenite gumb kako biste postavili željeno vrijeme kuhanja na 7 minuta.
- (7) Pritisnite "START"
+30SEC." kako biste započeli s kuhanjem.

● Napomene

- (1) U višefaznom kuhanju mogu se postaviti dva stupnja kuhanja.
- (2) Ako postavite funkciju odmrzavanja, ona će automatski raditi u prvoj fazi.
- (3) Kuhinjski mjerač vremena, automatski izbornik ne mogu se postaviti kao jedna od faza.

UPOTREBA

8. Automatski izbornik

- (1) Pritisnite "AUTO MENU" jednom ili okrenite gumb udesno i prikazat će se "A-01".
- (2) Više puta pritisnite "AUTO MENU" ili okrenite gumb za odabir izbornika koji vam je potreban.
Dostupno je 9 automatskih izbornika.
- (3) Pritisnite "START"
+30SEC." za potvrdu.
- (4) Okrenite gumb kako biste postavili težinu hrane.
- (5) Pritisnite "START"
+30SEC." kako biste započeli s kuhanjem.

Tablica automatskog izbornika

Izbornik	Težina	Zaslon	Napajanje
A-01 Automatsko podgrijavanje	200 g	200	P100
	400 g	400	
A-02 Meso	250 g	250	
	350 g	350	
	450 g	450	
A-03 Svježe povrće	200 g	200	
	300 g	300	
	400 g	400	
A-04 Tjestenina	50 g	50	
	100 g	100	
A-05 Krumpir	1(230 g)	1	P100
	2 (460 g)	2	
	3 (690 g)	3	
A-06 Riba	250 g	250	P80
	350 g	350	
	450 g	450	

UPOTREBA

Izbornik	Težina	Zaslon	Napajanje
A-07 Piće	1 šalica (120 ml)	1	P100
	2 šalice (240 ml)	2	
	3 šalice (360 ml)	3	
A-08 Kokice	50 g	50	
	100 g	100	
A-09 Kruh	50 g	50	P50
	100 g	100	
	150 g	150	
	200 g	200	
	250 g	250	P100+P80+P50
	350 g	350	
	500 g	500	
	700 g	700	

9. Funkcija zaključavanja za djecu

Ovu funkciju možete koristiti kako biste spriječili djecu da slučajno uključe pećnicu.

Za aktiviranje bravice:

U stanju pripravnosti pritisnite i držite "STOP CANCEL" tri sekunde. Oglasit će se zvučni signal i na zaslonu će se prikazati "[]".

Za deaktiviranje bravice:

U zaključanom stanju pritisnite i držite "STOP CANCEL" tri sekunde. Oglasit će se dugi zvučni signal.

10. Funkcija upita


- (1) U načinu kuhanja u mikrovalnoj pećnici pritisnite "MICRO." kako biste vidjeli stupanj snage. Na zaslonu će se prikazivati tri sekunde.
- (2) U načinu rada roštilja i kombiniranog kuhanja pritisnite "GRILL" kako biste vidjeli način kuhanja. Na zaslonu će se prikazivati tri sekunde.

RJEŠAVANJE PROBLEMA

Normalno	
Mikrovalna pećnica ometa TV prijam	Rad mikrovalne pećnice može ometati prijam radio i TV signala. To je slično smetnjama koje izazivaju mali električni uređaji poput miksera, usisivača i električnog ventilatora. To je normalno.
Tamno svjetlo pećnice	Pri kuhanju u mikrovalnoj pećnici na maloj snagi svjetlo u pećnici može postati tamno. To je normalno.
Na vratima se nakuplja para, a iz ventilacijskih otvora izlazi vrući zrak	Tijekom kuhanja iz hrane bi mogla izlaziti para. Veći dio pare izlazit će iz ventilacijskih otvora. No dio se može nakupiti na hladnom mjestu poput vrata pećnice. To je normalno.
Pećnica je slučajno uključena bez hrane.	Zabranjeno je pokretati pećnicu bez hrane unutra. To je vrlo opasno.

Problem	Mogući uzrok	Rješenje
Pećnica se ne može pokrenuti.	(1) Strujni kabel nije umetnut do kraja.	Iskopčajte ga. Zatim ga ponovno ukopčajte nakon 10 sekundi.
	(2) Pregorio je osigurač ili je aktiviran prekidač strujnog kruga.	Zamijenite osigurač ili ponovno postavite prekidač strujnog kruga (popravlja osoba koju je ovlastila tvrtka)
	(3) Problemi s utičnicom.	Testirajte utičnicu drugim električnim uređajima.
Pećnica se ne zagrijava.	(4) Vrata nisu zatvorena do kraja.	Dobro zatvorite vrata.

ROBNE MARKE, AUTORSKA PRAVA I PRAVNA IZJAVA

 Midea logotip, oznake riječi, trgovački naziv, trgovački izgled i sve njihove verzije vrijedna su imovina Midea grupe i/ili njezinih podružnica ("Midea") za koje Midea posjeduje zaštitne znakove, autorska prava i druga prava intelektualnog vlasništva te sav dobar ugled koji proizlazi iz korištenja bilo kojeg dijela zaštitnog znaka tvrtke Midea. Korištenje zaštitnog znaka tvrtke Midea u komercijalne svrhe bez prethodnog pisanog pristanka tvrtke Midea može predstavljati povredu zaštitnog znaka ili nelojalnu konkurenciju kojom se krše važeći zakoni.

Ovaj priručnik izradila je Midea koja zadržava autorska prava na njega. Nijedan subjekt ne smije ovaj priručnik upotrebljavati, kopirati, mijenjati, distribuirati u cijelosti ili dijelom ili ga isporučivati ili prodavati s drugim proizvodima bez prethodnog pristanka tvrtke Midea.

Sve opisane funkcije i upute bile su aktualne u trenutku kada je tiskan ovaj priručnik. No, stvarni proizvod može se razlikovati zbog poboljšanih funkcija i dizajna.

ZBRINJAVANJE I RECIKLIRANJE

Važne upute za okoliš

Usklađenost s Direktivom o otpadnoj električnoj i elektroničkoj opremi (WEEE) i odlaganje otpadnog proizvoda:

Proizvod je usklađen s Direktivom o otpadnoj električnoj i elektroničkoj opremi (WEEE) (2012/19/EU). Proizvod ima klasifikacijski simbol za otpadnu električnu i elektroničku opremu (WEEE).

Ovaj simbol ukazuje da se ovaj proizvod ne smije odlagati s ostalim kućnim otpadom na kraju svog radnog vijeka. Rabljeni uređaj morate vratiti na službeno mjesto za prikupljanje radi recikliranja električnih i elektroničkih uređaja. Mjesta za prikupljanje pronađite tako da kontaktirate lokalne vlasti ili trgovca kod kojeg ste kupili proizvod. Svako kućanstvo ima važnu ulogu u zbrinjavanju i recikliranju starog aparata. Pravilno zbrinjavanje starih aparata pomaže u sprečavanju negativnih posljedica za okoliš i ljudsko zdravlje.

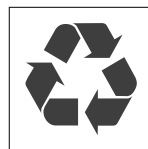


Usklađenost s Direktivom o ograničenju uporabe određenih opasnih tvari

Proizvod koji ste kupili usklađen je s Direktivom o ograničenju uporabe određenih opasnih tvari EU-a (RoHS) (2011/65/EU). Ne sadrži štetne ili zabranjene materijale navedene u Direktivi.

Informacije o paketu

Ambalažni materijal proizvodi se od materijala koji se mogu reciklirati u skladu s nacionalnim propisima o zaštiti okoliša. Nemojte odlagati ambalažni materijal zajedno s kućanskim ili drugim otpadom. Odnosite ga na mjesto za prikupljanje ambalažnog materijala koje su odredile lokalne vlasti.



OBAVIJEST O ZAŠTITI PODATAKA

Radi pružanja usluga dogovorenih s klijentom, suglasni smo da ćemo se bez ograničenja pridržavati svih odredbi primjenjivog zakona o zaštiti podataka u skladu s dogovorom sa zemljama unutar kojih će se pružati usluge klijentu, kao i, gdje je to primjenjivo, Općom uredbom o zaštiti podataka EU-a (GDPR).

Općenito, naša obrada podataka služi za ispunjavanje naše ugovorne obveze prema vama i iz sigurnosnih razloga za proizvod, a sve kako bismo zaštitili vaša prava u vezi s jamstvom i registracijom proizvoda. U nekim slučajevima, no samo ako su osigurane prikladne mjere zaštite podataka, osobni podaci prenose se primateljima izvan Europskog gospodarskog područja.

O zahtjevu je navedeno više informacija. Našem službeniku za zaštitu podataka možete se obratiti na adresu **MideaDPO@midea.com**. Ukoliko imate prigovor na obradu osobnih podataka radi izravnog marketinga ili na drugi način želite ostvariti svoja prava obratite se na adresu **MideaDPO@midea.com**. Više informacija pronađite skeniranjem QR koda.

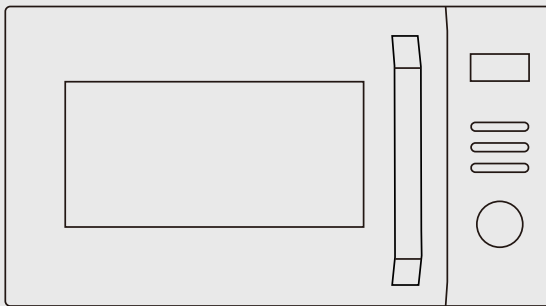


make yourself at home



www.midea.com

© Midea 2024. Sva prava pridržana



MIKROVALOVNA PEČICA

PRIROČNIK ZA UPORABO

MAG25XF

Opozorila: Pred uporabo izdelka pozorno preberite ta priročnik in ga hranite za prihodnjo uporabo. Zasnova in specifikacije se lahko spremenijo brez predhodnega obvestila za izboljšave izdelka.

Za podrobnosti se posvetujte s prodajalcem ali proizvajalcem.

Zgornji diagram je samo za referenco. Za standard upoštevajte videz dejanskega izdelka.

ZAHVALNO PISMO

Hvala, ker ste izbrali Midea! Pred uporabo vašega novega izdelka Midea natančno preberite ta priročnik, da zagotovite varno upravljanje z lastnostmi in funkcijami, ki jih ponuja vaša nova naprava.

KAZALO







ZAHVALNO PISMO -----	02
VARNOSTNA NAVODILA -----	03
SPECIFIKACIJE -----	12
PREGLED IZDELKA -----	13
NAMESTITEV IZDELKA -----	15
DELOVANJE -----	17
ODPRAVLJANJE NAPAK -----	23
BLAGOVNE ZNAMKE, AVTORSKE PRAVICE IN PRAVNO OBVESTILO -----	24
ODSTRANJEVANJE IN RECIKLIRANJE -----	25
OBVESTILO O VARSTVU PODATKOV -----	26

VARNOSTNA NAVODILA

Predvidena uporaba

Naslednje varnostne smernice so namenjene za preprečevanje nepredvidenih tveganj ali poškodb zaradi nevarne ali nepravilne uporabe naprave. Ob prejemu takoj preverite embalažo in napravo, da se prepričate, da ni poškodovana in zagotovite varno delovanje. Če odkrijete kakršne koli poškodbe, se obrnite na prodajalca. Spreminjanje ali prilagajanje naprave iz varnostnih razlogov ni dovoljeno. Nenamenska uporaba lahko povzroči nevarnosti in izgubo garancije.

Razlaga simbolov

	Nevarnost Ta simbol označuje, da obstaja nevarnost za življenje in zdravje ljudi zaradi izjemno vnetljivega plina.
	Opozorilo o električni napetosti Ta simbol pomeni nevarnost za življenje in zdravje ljudi zaradi napetosti.
	Opozorilo Opozorilna beseda označuje nevarnost s srednjo stopnjo tveganja, ki lahko, če se ji ne izognete, povzroči smrt ali resne telesne poškodbe.
	Previdnost Opozorilna beseda označuje nevarnost z nizko stopnjo tveganja, ki lahko, če se ji ne izognete, povzroči manjše ali zmerne poškodbe.
	Pozor Opozorilna beseda označuje pomembne informacije (npr. materialna škoda), ne pa tudi nevarnosti.
	Upoštevanje pravil Ta simbol pomeni, da mora serviser uporabljati in vzdrževati to napravo v skladu z navodili za uporabo.

SL

Pred uporabo/zagonom enote natančno preberite ta navodila za uporabo in jih hranite v neposredni bližini mesta namestitve ali enote za kasnejšo uporabo!

VARNOSTNI UKREPI, DA SE IZOGNETE MOREBITNI IZPOSTAVLJENOSTI PRETIRANI MIKROVALOVNI ENERGIJI

- a. Te pečice ne poskušajte uporabljati z odprtimi vrati, saj lahko to vodi do škodljive izpostavljenosti mikrovalovni energiji.
Pomembno je, da ne poškodujete ali posegate v varnostne zapore.
- b. Ne postavljajte predmetov med sprednjo stran pečice in vrata in ne dovolite, da se na tesnilnih površinah naberejo ostanki umazanije ali čistila.
- c. Pečice ne uporabljajte, če je poškodovana. Še posebej pomembno je, da vrata pečice pravilno zaprete in da ni poškodb na naslednjih delih:
- VRATA (upognjena)
 - TEČAJI IN ZAPAHI (zlomljeni ali zrahljani)
 - TESNILA VRAT IN TESNILNE POVRŠINE
- d. Pečice ne sme nastavljati ali popravljati nihče, razen ustrezno usposobljenega servisnega osebja.

SL

DODATEK

Če se naprava ne vzdržuje z ustrezno čistočo, lahko privede do poškodb na površini ter vpliva na življenjsko dobo aparata in povzroči nevarne okoliščine.

POMEMBNA VARNOSTNA NAVODILA

Za zmanjšanje nevarnosti požara, električnega udara, poškodb oseb ali izpostavljenosti prekomerni energiji mikrovalovne pečice med uporabo naprave preberite in upoštevajte posebne varnostne ukrepe:

▲ OPOZORILO

- Pozorno preberite in sledite določeni: »**VARNOSTNI UKREPI ZA PREPREČITEV MOŽNE IZPOSTAVLJENOSTI PREKOMERNI MIKROVALOVNI ENERGIJI**«.
- Otroci, starejši od 8 let, osebe z zmanjšanimi telesnimi, senzoričnimi ali psihičnimi sposobnostmi ter osebe brez izkušenj in znanja lahko uporabljajo napravo le, če so pod nadzorom ali so dobili navodila o varni uporabi naprave in se zavedajo nevarnosti. Otroci naj se ne igrajo z napravo. Otroci ne smejo čistiti in vzdrževati naprave brez nadzora.
- Napravo in kabel hranite izven dosega otrok, mlajših od 8 let.
- Če je napajalni kabel poškodovan, ga mora zamenjati proizvajalec, njegov pooblaščen servisni zastopnik ali podobno usposobljeno osebje, da se izognete nevarnosti.
- **OPOZORILO:** Pred zamenjavo žarnice se prepričajte, da je naprava izključena, da preprečite možnost električnega udara.
- **OPOZORILO:** Nevarno je, da kdor koli, razen pristojne osebe, opravi kakršne koli storitve ali popravila, ki vključujejo odstranitev pokrova, ki ščiti pred izpostavljenostjo mikrovalovni energiji.
- **OPOZORILO:** Tekočin in drugih živil ne smemo segrevati v zaprtih posodah, saj lahko eksplodirajo.
- Kadar hrano segrevate v plastičnih ali papirnatih posodah, pazite na pečico, saj obstaja nevarnost vžiga.

SL

- Uporabljajte samo pripomočke, ki so primerni za uporabo v mikrovalovnih pečicah.
- Če opazite dim, izklopite napravo ali jo odklopite z napajanja, vrata pa pustite zaprta, da preprečite širjenje morebitnega požara.
- Segrevanje pijač v mikrovalovni pečici lahko povzroči zakasnjeno vrenje, zato bodite previdni pri ravnanju s posodami.
- Vsebino steklenic za dojenčke in otroško hrano je treba pred uživanjem premešati ali pretresti in preveriti temperaturo, da se prepreči opekline.
- Jajc v lupini in celih trdo kuhanih jajc ne segrevajte v mikrovalovni pečici, saj lahko eksplodirajo tudi po končanem segrevanju.
- Pečico je treba redno čistiti in odstranjevati ostanke hrane.
- Če ne vzdržujete čistoče v pečici, lahko to privede do propadanja njenih površin, kar lahko negativno vpliva na življenjsko dobo aparata ter privede do potencialno nevarnih situacij.
- Naprave ne smete nameščati za okrasnimi vrati, da ne pride do pregrevanja. (To ne velja za naprave z okrasnimi vrati.)
- Uporabljajte samo temperaturno sondo, ki je priporočena za to pečico. (Za pečice z možnostjo uporabe sonde za zaznavanje temperature.)
- Mikrovalovna pečica ne sme biti nameščena v omari, razen če je bila v omari preizkušena.
- Mikrovalovno pečico morate uporabljati odprtimi z okrasnimi vrati. (Za pečice z okrasnimi vrati.)
- Ta naprava je namenjena uporabi v gospodinjstvu in podobnih okoljih, kot so:
 - kuhinje za osebje v trgovinah, pisarnah in drugih delavnih okoljih;
 - s strani gostov v hotelih, motelih in drugih podobnih bivalnih okoljih;
 - kmetijah;
 - v namestitvah s prenočiščem in zajtrkom.

- Mikrovalovna pečica je namenjena gretju hrane in pijač. Sušenje jedi ali oblačil in gretje grelnih blazin, copat, gobic, vlažnih krp ipd. lahko povzroči poškodbe, vžig ali požar.
- Kovinskih posod za hrano in pijačo ni dovoljeno uporabljati v mikrovalovni pečici.
- Naprave ne čistite s parnim čistilcem.
- Naprava je namenjena samostojni uporabi.
- Hrbtna stran naprav mora biti nameščena ob steno.
- Naprave niso namenjene za upravljanje z zunanjim časovnikom ali ločenim sistemom daljinskega upravljanja.
- Med delovanjem naprave je temperatura dostopnih površin lahko visoka.

▲ OPOZORILO

Ko se aparat uporablja v kombiniranem načinu, lahko otroci zaradi visokih temperatur uporabljajo pečico samo pod nadzorom odrasle osebe.

**POZORNO PREBERITE IN
SHRANITE ZA KASNEJŠO
UPORABO SAMO ZA
GOSPODINJSKO UPORABO
(NI ZA KOMERCIALNO UPORABO)**

SL

ZA ZMANJŠANJE NEVARNOSTI TELESNIH POŠKODB LJUDI

⚠ NEVARNOST

Nevarnost električnega udara:

Če se dotaknete nekaterih notranjih komponent, lahko pride do resnih telesnih poškodb ali smrti. Naprave ne razstavlajte.

⚠ OPOZORILO

Nevarnost električnega udara:

Neppravilna uporaba ozemljitve lahko povzroči električni udar.

Naprave ne priključujte v vtičnico, dokler ni pravilno nameščena in ozemljena.

Naprava more biti ozemljena. V primeru električnega kratkega stika ozemljitev zmanjša nevarnost električnega udara z zagotavljanjem izhodne žice za električni tok.

Ta naprava je opremljena z električnim kablom, ki ima ozemljeno žico ter ozemljen vtič. Električni vtič mora biti vključen v električno vtičnico, ki je ustrezno nameščena in ozemljena.

SL

Če navodil za ozemljitev ne razumete popolnoma ali če ste v dvomu glede pravilne ozemljitve naprave, se obrnite za pomoč na usposobljenega električarja ali serviserja.

Če morate uporabiti podaljšek električnega kabla, uporabite izključno 3-žilni kabel.

1. Napravi je priložen kratek električni kabel, ki zmanjšuje nevarnost, da bi se zapletli vanj ali se spotikali ob kabel.
2. Če uporabljate dolg električni kabel ali podaljšek električnega kabla:
 - 1) Označena električna moč kompleta kabla ali podaljška kabla mora biti najmanj enaka označeni električni moči naprave.

- 2) Podaljšek kabla mora biti ozemljitveni 3-žilni kabel.
- 3) Dolg električni kabel mora biti položen tako, da se ne ovija okoli zgornje plošče pulta ali mize, od koder bi ga lahko potegnili otroci ali se ob njega nenamerno spotaknili.

Ta naprava je oprema ISM razreda B skupine 2. Skupina 2 vsebuje vso opremo ISM (industrijsko, znanstveno in medicinsko), v kateri se radiofrekvenčna energija namerno proizvaja in/ali uporablja v obliki elektromagnetnega sevanja za obdelavo materiala, in opremo za erozijo isker.

Oprema razreda B je primerna za uporabo v domačih obratih, ki so neposredno povezani z nizkonapetostnim napajalnim omrežjem.

ČIŠČENJE

Prepričajte se, da je naprava izklopljena iz električnega omrežja.

1. Po uporabi očistite notranji predel pečice z rahlo navlaženo krpo.
2. Pripomočke očistite na običajen način z milnico.
3. Kadar so okvir in tesnilo vrat ter notranji deli umazani, jih je potrebno očistiti z vlažno krpo.
4. Za čiščenje steklenih vrat pečice ne uporabljajte abrazivnih čistilnih sredstev ali ostrih kovinskih strgalnikov, ker lahko opraskajo površino in povzročijo, da se steklo razbije.
5. Nasvet za čiščenje---Za lažje čiščenje sten notranjega predela, s katerim lahko prihaja v stik pogreta hrana: V posodo dajte polovico limone, dodajte 300 ml vode in jo 10 minut segrevajte s polno močjo mikrovalovne pečice. Pečico očistite z mehko in suho krpo.

SL

VRSTE KUHINJSKIH PRIPOMOČKOV

PREVIDNOST

Nevarnost Telesnih Poškodb:

Nevarno je, da kdor koli, razen pristojne osebe, opravi kakršne koli storitve ali popravila, ki vključujejo odstranitev pokrova, ki ščiti pred izpostavljenostjo mikrovalovni energiji. Glejte navodila v "Materiali, ki jih lahko uporabljate v mikrovalovni pečici oz. ki jih ne smete uporabljati v mikrovalovni pečici." Določeni nekovinski kuhinjski pripomočki so lahko nevarni za uporabo v mikrovalovni pečici. Če ste v dvomih, lahko pripomoček preizkusite po spodnjem postopku.

Preizkus pripomočka:

- V posodo, varno za uporabo v mikrovalovni pečici nalijte 1 skodelico hladne vode (250 ml) ter dajte vanjo pripomoček, ki ga želite preizkusiti.
- Segrevajte na največji moči 1 minuto.
- Previdno otipajte pripomoček. Če je pripomoček topel, ga ne uporabljajte v mikrovalovni pečici.
- Ne segrevajte dlje kot 1 minuto.

SL

Materiali, ki jih lahko uporabljate v mikrovalovni pečici

Vrste kuhinjskih pripomočkov	Opombe
Namenski pekač, v katerem se jed zapeče	Upoštevajte navodila proizvajalca. Dno posode za mora biti najmanj 5 mm nad vrtljivim podstavkom. Nepravilna uporaba lahko povzroči, da se vrtljivi podstavek zlomi.
Namizna posoda	Samo za uporabo v mikrovalovni pečici. Upoštevajte navodila proizvajalca. Ne uporabljajte počenih ali okrušenih posod.
Steklene posode	Vedno odstranite pokrov. Uporabljajte samo za segrevanje hrane, dokler ni topla. Večina steklenih posod ni odporna na vročino in lahko počijo.
Steklovina	Samo na vročino odporna steklovina primerna za mikrovalovno pečico. Preverite, da nima nobenih kovinskih obrob. Ne uporabljajte počenih ali okrušenih posod.
Vrečke za kuhanje v pečici	Upoštevajte navodila proizvajalca. Ne zapirajte s kovinsko vezico. Napravite zareze, da lahko para uhaja.
Papirnati krožniki in kozarci	Uporabljajte samo za kratkotrajno kuhanje/segrevanje. Med segrevanjem ne puščajte pečice brez nadzora.
Papirnate brisače	Uporabljajte za pokrivanje hrane pri ponovnem segrevanju in za vpijanje maščobe. Uporabljajte samo za kratkotrajno segrevanje pod nadzorom.
Pergamentni papir	Uporabite kot prekrivalo za preprečevanje škropljenja ali za zaščito pred paro.
Plastika	Samo za uporabo v mikrovalovni pečici. Upoštevajte navodila proizvajalca. Mora biti označena z »Varno za uporabo v mikrovalovni pečici«. Nekatere plastične posode se zmechajo, če se hrana v njih preveč segreje. »Vrečke za kuhanje« in tesno zaprte plastične vrečke je treba zarezati ali preluknjati ali odzračiti po navodilih embalaže.
Plastični ovoj	Samo za uporabo v mikrovalovni pečici. Uporabljajte za pokrivanje hrane med segrevanjem za ohranjanje vlage. Plastični ovoj se ne sme dotikati hrane.
Termometri	Samo za uporabo v mikrovalovni pečici (termometri za meso in sladkor).
Voščeni papir	Uporabite kot prekrivalo za preprečevanje škropljenja in za ohranjanje vlage.

SL

Materiali, ki jih ne smete uporabljati v mikrovalovni pečici

Vrste kuhinjskih pripomočkov	Opombe
Aluminijast pladenj	Lahko povzroči iskenje. Preložite hrano v posodo, ki je varna za uporabo v mikrovalovni pečici.
Škatla za živila s kovinskim ročajem	Lahko povzroči iskenje. Preložite hrano v posodo, ki je varna za uporabo v mikrovalovni pečici.
Kovinski ali s kovino obrobjeni kuhinjski pripomočki	Kovina ščiti živila pred mikrovalovno energijo. Kovinska obroba lahko povzroči iskenje.
Kovinske vezice	Lahko povzročijo iskenje in ogenj v pečici.
Papirnate vrečke	Lahko povzročijo požar v pečici.
Plastična pena	Plastična pena se lahko stopi ali onesnaži tekočino v posodi, če je izpostavljena visoki temperaturi.
Les	Les se pri uporabi v mikrovalovni pečici izsuši in lahko razpoka ali počí.

SPECIFIKACIJE

Model	MAG25XF
Nazivna napetost/ frekvenca	230–240 V~ 50 Hz
Nazivna mikrovalovna vhodna moč	1250 W
Nazivna mikrovalovna izhodna moč	800 W
Nazivna mikrovalovna vhodna moč (žar)	1000 W

PREGLED IZDELKA

Imena sestavnih delov in dodatkov

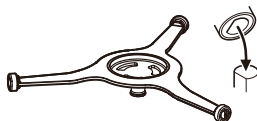
V primeru kakršnih koli razlik med napravo in slikami v tem priročniku ima izdelek prednost.

Odstranite pečico in ves material iz škatle in iz notranjosti pečice.

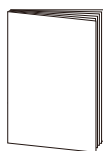
Mikrovalovna pečica je opremljena z naslednjimi dodatki:



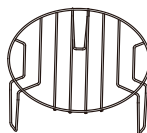
Stekleni podstavek



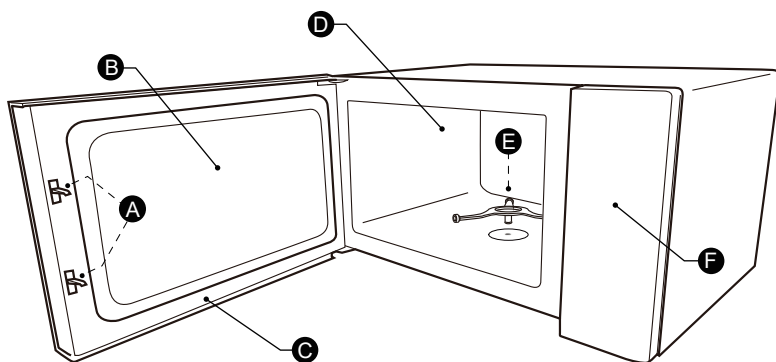
Sklop nosilca steklene plošče



Navodila za uporabo



Rešetka za žar (ni je mogoče uporabljati s funkcijo mikrovalovke in jo je treba postaviti na stekleno ploščo)



- A) Varnostni sistem za zapiranje vrat
- B) Opazovalno okno
- C) Sklop vrat

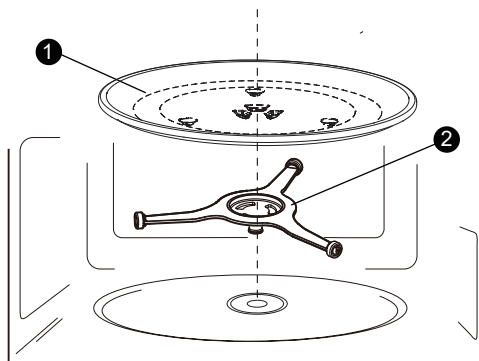
- D) Notranjost pečice
- E) Sklop nosilca steklene plošče
- F) Nadzorna plošča

SL

PREGLAD IZDELKA

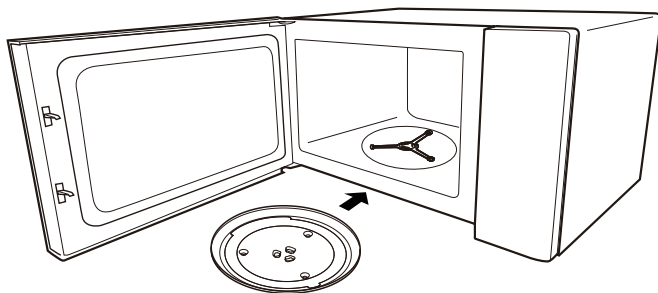
Imena sestavnih delov in dodatkov

Čiščenje predela za kuhanje in namestitvev vrtljivega podstavka. Za nove namestitve se prepričajte, da ste odstranili vso embalažo in transportni trak. Pred prvo pripravo hrane, morate vrtljivi podstavek pravilno namestiti. Predel za kuhanje in dodatke morate očistiti.



1) Stekleni podstavek

2) Sklop nosilca steklene plošče



SL

OPOMBE

1. Nikoli ne uporabljajte naprave brez vrtljivega podstavka. Prepričajte se, da je pravilno nameščen. Vrtljivi podstavek se lahko obrača v smeri urinega kazalca in v nasprotni smeri.
2. Nikoli ne postavite steklenega podstavka obrnjenega navzdol. Steklenega podstavka nikoli ne omejujte.
3. Med uporabo naprave morata biti vedno v uporabi oba, stekleni podstavek in sklop obroča vrtljivega podstavka.
4. Vsa hrana in posode s hrano morajo biti za kuhanje vedno postavljene na stekleni podstavek.
5. Nikoli ne omejujte gibanja vrtljivega podstavka.
6. Če stekleni podstavek ali sklop obroča vrtljivega podstavka razpokata ali se zlomita, se obrnite na najbližji pooblaščen servisni center.

NAMESTITEV IZDELKA

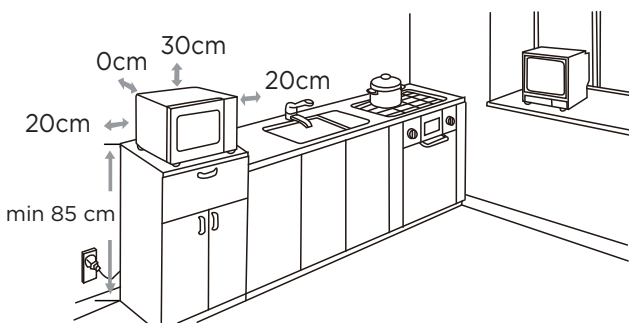
Namestitev mikrovalovke

Odstranite ves embalažni material in dodatke. Preglejte pečico, da nima nobenih poškodb, kot so udrtine ali zlomljena vrata. Ne nameščajte, če je pečica poškodovana.

Ohišje: Odstranite vse zaščitne folije, ki so na površini ohišja mikrovalovne pečice. Ne odstranjujte pokrova valovnega prevodnika, ki je nameščen v pečici, da zaščiti magnetron.

NAMESTITEV

1. Izberite ravno površino, ki ponuja dovolj prostora za odprtine za dovod in/ali izstop zraka.
 - Najmanjša višina vgradnje je 85 cm.
 - Hrbtna stran naprave mora biti postavljena ob steno. Pustite najmanj 30 cm prostora nad pečico. Med pečico in sosednjimi stenami je potreben minimalni razmik 20 cm.
 - Ne odstranite nog z dna pečice.
 - Blokiranje prezračevalnih dovodov in/ali odprtin lahko poškoduje napravo.
 - Pečico postavite čim dlje od radia in televizorja. Delovanje mikrovalovne pečice lahko povzroči motnje v radiu ali televiziji.



2. Priključite pečico v običajno gospodinjstvo vtičnico. Prepričajte se, da sta napetost in frekvenca enaki napetosti in frekvenci na tipski tablici naprave.

⚠ OPOZORILO

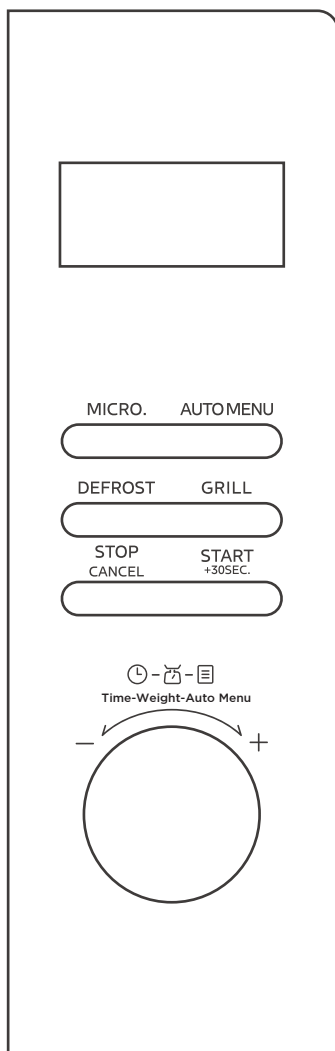
Naprave ne nameščajte nad kuhalno ploščo ali druge naprave za ustvarjanje toplote. Če je nameščena blizu ali nad virom toplote, se lahko naprava poškoduje in tako razveljavi garancijo.



Dostopna površina je med delovanjem lahko vroča.

DELOVANJE

Nadzorna plošča



SL

DELOVANJE

1. Kuhanje v mikrovalovni pečici

Po priključitvi pečice na napajanje se na zaslonu prikaže »0:00«. Oglasi se brenčalo.

Na voljo je 5 stopenj moči.

Moč	100 %	80 %	50 %	30 %	10 %
Zaslon	P100	P80	P50	P30	P10

- (1) Enkrat pritisnite »MICRO.« in nato se bo prikazalo »P100«.
- (2) Večkrat pritisnite »MICRO.« ali obrnite gumb, da nastavite stopnjo moči.
Na voljo je 5 stopenj moči.
- (3) Pritisnite »**START**_{+30SEC.}« za potrditev.
- (4) Zavrtite gumb, da nastavite čas kuhanja. Največja časovna vrednost je »95:00«.
- (5) Pritisnite »**START**_{+30SEC.}« za začetek kuhanja.

Opombe

- (1) Če med delovanjem odprete vrata pečice ali pritisnete »**STOP**
CANCEL« se trenutni način prekine.
- (2) Količine posameznih korakov za čas nastavitve kodirnega stikala so naslednje:
0---1 min : 5 sekund
1---5 min : 10 sekund
5---10 min : 30 sekund
10---30 min : 1 minuta
30---95 min : 5 minut

SL

2. Kuhanje na žaru

- (1) Enkrat pritisnite »GRILL« in nato se prikaže »G-1«.
- (2) Pritisnite »**START**_{+30SEC.}« za potrditev.
- (3) Zavrtite gumb, da nastavite čas kuhanja. Največja časovna vrednost je »95:00«.
- (4) Pritisnite »**START**_{+30SEC.}« za začetek kuhanja.

Opomba

Oglasil se bo zvočni signal, ki vas bo opomnil, da morate med pečenjem na žaru hrano obrniti. Če ni operacij, bo pečica nadaljevala z delovanjem.

DELOVANJE

3. Odtajanje glede na težo

- (1) Enkrat pritisnite »DEFROST« in na zaslonu se prikaže »dEF1«.
- (2) Z vrtenjem gumba nastavite težo hrane. Razpon teže je 100–2000 g.
- (3) Pritisnite » $\text{START}_{+30\text{SEC.}}$ « za začetek odtaljevanja.

Opomba

Oglasil se bo zvočni signal, ki vas bo opomnil, da morate med odtaljevanjem hrano obrniti. Če ni operacij, bo pečica nadaljevala z delovanjem.

4. Odtajanje glede na čas

- (1) Dvakrat pritisnite »DEFROST« in na zaslonu se prikaže »dEF2«.
- (2) Zavrtite gumb, da nastavite čas odmrzovanja. Največja časovna vrednost je »95:00«.
- (3) Pritisnite » $\text{START}_{+30\text{SEC.}}$ « za začetek odtaljevanja.

Opombe

- (1) Oglasil se bo zvočni signal, ki vas bo opomnil, da morate med odtaljevanjem hrano obrniti. Če ni operacij, bo pečica nadaljevala z delovanjem.
- (2) Moč odmrzovanja je P30 in je ni mogoče spremeniti.

5. Hitro kuhanje

- (1) V stanju pripravljenosti zavrtite gumb v levo, da nastavite čas kuhanja s 100-% močjo. Nadaljujte z vrtenjem gumba, da nastavite čas kuhanja. Nato pritisnite » $\text{START}_{+30\text{SEC.}}$ « za začetek kuhanja. Največja časovna vrednost je »95:00«.
- (2) V stanju pripravljenosti pritisnite » $\text{START}_{+30\text{SEC.}}$ « za kuhanje hrane s 100-% močjo 30 sekund. Vsak pritisk na isto tipko se lahko podaljša za 30 sekund, največja časovna vrednost pa je »95:00«.

Opomba

V stanju kuhanja in odmrzovanja glede na čas lahko vsak nadaljnji pritisk na gumb » $\text{START}_{+30\text{SEC.}}$ « podaljša čas kuhanja za 30 sekund (razen odmrzovanja glede na težo, samodejnega menija in prve faze večstopenjskega kuhanja).

SL

DELOVANJE

6. Kombinirano kuhanje

- (1) Enkrat pritisnite »GRILL« in nato se prikaže »G-1«.
- (2) Večkrat pritisnite gumb »GRILL« ali obrnite gumb in nato se prikaže »C-1«, »C-2«.
- (3) Pritisnite » $\text{START}_{+30\text{SEC.}}$ « za potrditev.
- (4) Zavrtite gumb, da nastavite čas kuhanja. Največja časovna vrednost je »95:00«.
- (5) Pritisnite » $\text{START}_{+30\text{SEC.}}$ « za začetek kuhanja.

Tabela za kombinirano kuhanje

Funkcija	Zaslon	Moč mikrovalovke	Moč žara
Kombinacija 1	C-1	55 %	45 %
Kombinacija 2	C-2	36 %	64 %

7. Večstopensko kuhanje

Primer: Živila odmrzujete 5 minut in jih nato 7 minut kuhajte pri 80-% moči mikrovalovne pečice.

- (1) Dvakrat pritisnite »DEFROST« in na zaslonu se prikaže »dEF2«.
- (2) Z vrtenjem gumba nastavite zeleni čas odmrzovanja na 5 minut.
- (3) Enkrat pritisnite »MICRO.« in nato se bo prikazalo »P100«.
- (4) Ponovno pritisnite »MICRO.« ali obrnite gumb, da nastavite stopnjo moči na P80.
- (5) Pritisnite » $\text{START}_{+30\text{SEC.}}$ « za potrditev moči mikrovalovne pečice.
- (6) Z vrtenjem gumba nastavite čas kuhanja na 7 minut.
- (7) Pritisnite » $\text{START}_{+30\text{SEC.}}$ « za začetek kuhanja.

Opombe

- (1) Pri večstopenskem kuhanju lahko nastavite dve stopnji kuhanja.
- (2) Če nastavite funkcijo odtaljevanja, bo ta v prvi fazi delovala samodejno.
- (3) Kuhinjski časovnik, samodejni meni ni mogoče nastaviti kot enega od večstopenskih.

DELOVANJE

8. Samodejni meni

- (1) Enkrat pritisnite »AUTO MENU« ali obrnite gumb v desno in prikaže se »A-01«.
- (2) Večkrat pritisnite »AUTO MENU« ali obrnite gumb, da izberete meni, ki ga potrebujete.
Na voljo je 9 samodejnih menijev.
- (3) Pritisnite » $\overline{\text{START}}$ _{+30SEC.}« za potrditev.
- (4) Z vrtenjem gumba nastavite težo hrane.
- (5) Pritisnite » $\overline{\text{START}}$ _{+30SEC.}« za začetek kuhanja.

Tabela samodejnega menija

Meni	Teža	Zaslon	Moč
A-01 Samodejno ponovno segrevanje	200 g	200	P100
	400 g	400	
A-02 Meso	250 g	250	
	350 g	350	
	450 g	450	
A-03 Sveža zelenjava	200 g	200	
	300 g	300	
	400 g	400	
A-04 Testenine	50 g	50	
	100 g	100	
A-05 Krompir	1 (230 g)	1	P100
	2 (460 g)	2	
	3 (690 g)	3	
A-06 Ribe	250 g	250	P80
	350 g	350	
	450 g	450	

SL

DELOVANJE

Meni	Teža	Zaslon	Moč
A-07 Pijača	1 skodelica (120 ml)	1	P100
	2 skodelici (240 ml)	2	
	3 skodelice (360 ml)	3	
A-08 Pokovka	50 g	50	P100
	100 g	100	
A-09 Kruh	50 g	50	P50
	100 g	100	
	150 g	150	
	200 g	200	
	250 g	250	P100+P80+P50
	350 g	350	
	500 g	500	
	700 g	700	

9. Funkcija zaklepanja za otroke

SL

S to funkcijo lahko otrokom preprečite, da bi pomotoma vklopili pečico.

Za aktiviranje ključavnice:

V stanju pripravljenosti pritisnite in držite »^{STOP}
CANCEL« tri sekunde. Zaslisi se dolgi pisk in prikaže se »[]«.

Za deaktiviranje ključavnice:

V zaklenjenem stanju pritisnite in držite »^{STOP}
CANCEL« tri sekunde. Zaslisi se dolgi pisk.

10. Poizvedovalna funkcija

- (1) V stanju kuhanja v mikrovalovni pečici pritisnite »MICRO.«, da preverite stopnjo moči. Prikazana bo tri sekunde.
- (2) V načinu pečenja na žaru in kombiniranem kuhanju pritisnite »GRILL«, da preverite način pečenja. Prikazana bo tri sekunde.


ODPRAVLJANJE NAPAK

Normalno	
Mikrovalovna pečica moti TV sprejem	Med delovanjem mikrovalovne pečice sta lahko radijski in TV sprejem motena. Motnje so podobne motnjam majhnih električnih naprav, na primer mešalca, sesalnika in električnega ventilatorja. To je normalno.
Zatemnjena luč mikrovalovne pečice	Če mikrovalovna pečica deluje z majhno močjo, je lahko intenzivnost svetlobe nižja. To je normalno.
Na vratih se nabira para, iz odprtih za zračenje prihaja vroč zrak	Med kuhanjem lahko iz živila izhaja para. Večina pare se odvaja skozi prezračevalne odprtine. Nekaj pa se je lahko nabira na hladnejših predelih, na primer na vratih. To je normalno.
Vklop pečice brez hrane.	Uporaba pečice brez živila je prepovedana. To je zelo nevarno.

Težava	Možen vzrok	Rešitev
Pečice ni mogoče zagnati.	(1) Napajalni kabel ni pravilno priključen.	Potegnite vtič iz vtičnice. Nato ga ponovno priključite po 10 sekundah.
	(2) Pregorela varovalka ali odklopnik deluje.	Zamenjajte varovalko ali ponastavite odklopnik (to mora opraviti pooblaščen strokovnjak našega podjetja).
	(3) Težave z vtičnico.	Preverite vtičnico z drugimi električnimi napravami.
Pečica ne greje.	(4) Vrata niso dobro zaprta.	Dobro zaprite vrata.

SL

BLAGOVNE ZNAMKE, AVTORSKE PRAVICE IN PRAVNO OBVESTILO

 Midea logotip, besedne znamke, trgovsko ime, komercialni videz in vse njihove različice so dragocena sredstva skupine Midea in/ali njenih podružnic («Midea»), za katere ima Midea v lasti blagovne znamke, avtorske pravice in druge pravice intelektualne lastnine ter vse poslovne vrednosti, ki izhajajo iz uporabe katerega koli dela blagovne znamke Midea. Uporaba blagovne znamke Midea v komercialne namene brez predhodnega pisnega soglasja družbe Midea lahko pomeni kršitev blagovne znamke ali nelojalno konkurenco, kar je v nasprotju z veljavno zakonodajo.

Ta priročnik je ustvarila Midea in Midea si pridržuje vse avtorske pravice. Nobena pravna ali fizična oseba ne sme uporabljati, podvajati, spreminjati, distribuirati v celoti ali delno tega priročnika ali združevati ali prodajati z drugimi izdelki brez predhodnega pisnega soglasja družbe Midea.

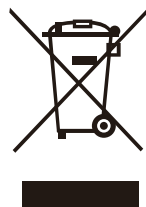
Vse opisane funkcije in navodila so bila posodobljena v času tiska tega priročnika. Vendar se lahko dejanski izdelek razlikuje zaradi izboljšanih funkcij in dizajna.

ODSTRANJEVANJE IN RECIKLIRANJE

Pomembna navodila za okolje

Skladnost z direktivo OEE0 in odstranjevanje odpadnega izdelka:
Ta izdelek je v skladu z direktivo EU OEE0 (2012/19/EU). Izdelek je opremljen s simbolom razvrstitve za odpadno električno in elektronsko opremo (OEE0).

Ta simbol označuje, da tega izdelka po koncu njegove življenjske dobe ne smete zavržiti skupaj z drugimi gospodinjskimi odpadki. Rabljeno napravo je treba vrniti na uradno zbirno mesto za recikliranje električnih elektronskih naprav. Če želite poiskati te zbiralne sisteme, se obrnite na lokalne organe ali prodajalca, kjer ste izdelek kupili. Vsako gospodinjstvo ima pomembno vlogo pri predelavi in recikliranju starih aparatov. Ustrezno odlaganje uporabljenega aparata pomaga preprečiti morebitne negativne posledice za okolje in zdravje ljudi.

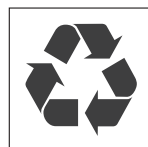


Skladnost z direktivo RoHS

Izdelek, ki ste ga kupili, je skladen z EU direktivo RoHS (2011/65/EU). Ne vsebuje škodljivih ali prepovedanih materialov, navedenih v direktivi.

Informacije o embalaži

Embalažni materiali izdelka so izdelani iz materialov, ki jih je mogoče reciklirati, v skladu z našimi nacionalnimi okoljskimi predpisi. Embalažnega materiala ne odlagajte skupaj z gospodinjskimi ali drugimi odpadki. Odnosite jih na zbirna mesta za embalažo, ki so jih določile lokalne oblasti.



SL

OBVESTILO O VARSTVU PODATKOV

Za zagotavljanje storitev, dogovorjenih s stranko, se strinjamo, da bomo brez omejitev ravnali v skladu z vsemi določili veljavne zakonodaje o varstvu podatkov, v skladu z državami, v kateri bodo zagotavljane storitve za stranko, ter (kjer je primerno), s Splošno uredbo o varstvu podatkov EU (GDPR).

Na splošno je naša obdelava podatkov namenjena izpolnjevanju naše pogodbene obveznosti z vami in zaradi varnosti izdelkov za zaščito vaših pravic v zvezi z vprašanji glede garancije in registracije izdelka. V nekaterih primerih, a le če je zagotovljeno ustrezno varstvo podatkov, se lahko osebni podatki prenesejo prejemnikom, ki se nahajajo zunaj Evropskega gospodarskega prostora.

Dodatne informacije so na voljo na zahtevo. Z našo pooblaščen osebo za varstvo podatkov lahko stopite v stik prek **MideaDPO@midea.com**. Če želite uveljavljati svoje pravice, kot je pravica do ugovora obdelavi vaših osebnih datumov za namene neposrednega trženja, se obrnite na nas preko **MideaDPO@midea.com**. Za več informacij sledite QR-kodi.



make yourself at home



www.midea.com

© Midea 2024 Vse pravice pridržane
PN:16170000B04508