

MICROWAVE OVEN

USER MANUAL

**MM20CF2E
MM20CF2EBK**

Warning notices: Before using this product, please read this manual carefully and keep it for future reference. The design and specifications are subject to change without prior notice for product improvement. Consult with your dealer or manufacturer for details.

The diagram above is just for reference. Please take the appearance of the actual product as the standard.

LANGUAGES

EN English

DE German

IT Italy

ES Spanish

PL Poland

RO Romania

EL Greece

PT Portugal

CZ Czech Republic

HU Hungary

SR Serbia

BG Bulgaria

HR Croatia

LT Lithuani

SL Slovenian

THANK YOU LETTER

Thank you for choosing Midea! Before using your new Midea product, please read this manual thoroughly to ensure that you know how to operate the features and functions that your new appliance offers in a safe way

CONTENTS

EN

THANK YOU LETTER	EN-01
SAFETY INSTRUCTIONS	EN-02
SPECIFICATION	EN-11
PRODUCT OVERVIEW	EN-12
PRODUCT INSTALLATION	EN-13
OPERATION INSTRUCTIONS	EN-14
CLEANING AND MAINTENANCE	EN-15
TROUBLE SHOOTING	EN-16
TRADEMARKS, COPYRIGHTS AND LEGAL STATEMENT	EN-17
DISPOSAL AND RECYCLING	EN-18
DATA PROTECTION NOTICE	EN-19

SAFETY INSTRUCTIONS

Intended Use

The following safety guidelines are intended to prevent unforeseen risks or damage from unsafe or incorrect operation of the appliance. Please check the packaging and appliance on arrival to make sure everything is intact to ensure safe operation. If you find any damage, please contact the retailer or dealer. Please note modifications or alterations to the appliance are not allowed for your safety concern. Unintended use may cause hazards and loss of warranty claims.

EN

Explanation of Symbols



Danger

This symbol indicates that there are dangers to the life and health of persons due to extremely flammable gas.



Warning of electrical voltage

This symbol indicates that there is a danger to life and health of persons due to voltage.



Warning

The signal word indicates a hazard with a medium level of risk which, if not avoided, may result in death or serious injury.



Caution

The signal word indicates a hazard with a low degree of risk which, if not avoided, may result in minor or moderate injury.



Attention

The signal word indicates important information (e.g. damage to property), but not danger.



Observe instructions

This symbol indicates that a service technician should only operate and maintain this appliance in accordance with the operating instructions.

Read these operating instructions carefully and attentively before using/commissioning the unit and keep them in the immediate vicinity of the installation site or unit for later use!

Precautions To Avoid Possible Exposure To Excessive Microwave Energy

- a. Do not attempt to operate this oven with the door open since this can result in harmful exposure to microwave energy. It is important not to break or tamper with the safety interlocks.
- b. Do not place any object between the oven front face and the door or allow soil or cleaner residue to accumulate on sealing surfaces.
- c. **WARNING:** If the door or door seals are damaged, the oven must not be operated until it has been repaired by a competent person.

EN

Addendum

If the apparatus is not maintained in a good state of cleanliness, its surface could be degraded and affect the lifespan of the apparatus and lead to a dangerous situation.

Important Safety Instructions

⚠ WARNING

To reduce the risk of fire, electric shock, injury to persons or exposure to excessive microwave oven energy when using your appliance, follow basic precautions, including the following:

- Read and follow the specific: "PRECAUTIONS TO AVOID POSSIBLE EXPOSURE TO EXCESSIVE MICROWAVE ENERGY".
- This appliance is not intended for use by persons (including children) with reduced physical, sensory or mental capabilities, or lack of experience and knowledge, unless they have been given supervision or instruction concerning use of the appliance by a person responsible for their safety.
- Children should be supervised to ensure that they do not play with the appliance.
- If the supply cord is damaged, it must be replaced by the manufacturer, its service agent or similarly qualified persons in order to avoid a hazard.(For appliance with type Y attachment).
- WARNING: Ensure that the appliance is switched off before replacing the lamp to avoid the possibility of electric shock.
- WARNING: It is hazardous for anyone other than a competent person to carry out any service or repair operation that involves the removal of a cover which gives protection against exposure to microwave energy.

- **WARNING:** Liquids and other foods must not be heated in sealed containers since they are liable to explode.
- When heating food in plastic or paper containers, keep an eye on the oven due to the possibility of ignition.
- Only use utensils that are suitable for use in microwave ovens.
- If smoke is emitted, switch off or unplug the appliance and keep the door closed in order to stifle any flames.
- Microwave heating of beverages can result in delayed eruptive boiling, therefore care must be taken when handling the container.
- The contents of feeding bottles and baby food jars shall be stirred or shaken and the temperature checked before consumption, in order to avoid burns.
- Eggs in their shell and whole hard-boiled eggs should not be heated in microwave ovens since they may explode, even after microwave heating has ended.
- The oven should be cleaned regularly and any food deposits removed.
- Failure to maintain the oven in a clean condition could lead to deterioration of the surface that could adversely affect the life of the appliance and possibly result in a hazardous situation.
- The appliance must not be installed behind a decorative door in order to avoid overheating. (This is not applicable for appliances with decorative door.)

- Only use the temperature probe recommended for this oven. (for ovens provided with a facility to use a temperature-sensing probe.)
- The microwave oven shall not be placed in a cabinet unless it has been tested in a cabinet.
- The microwave oven must be operated with the decorative door open. (for ovens with a decorative door.)
- This appliance is intended to be used in household and similar applications such as:
 - staff kitchen areas in shops, offices and other working environments;
 - by clients in hotels, motels and other residential type environments;
 - farm houses;
 - bed and breakfast type environments.
- The microwave oven is intended for heating food and beverages. Drying of food or clothing and heating of warming pads, slippers, sponges, damp cloth and similar may lead to risk of injury, ignition or fire.
- Metallic containers for food and beverages are not allowed during microwave cooking.
- The appliance shall not be cleaned with a steam cleaner.
- The appliance is intended to be used freestanding.
- The rear surface of appliances shall be placed against a wall.

**READ CAREFULLY AND KEEP FOR FUTURE
REFERENCE**

To Reduce The Risk Of Injury To Persons Grounding Installation

⚠ DANGER

Electric Shock Hazard

Touching some of the internal components can cause serious personal injury or death. Do not disassemble this appliance.

EN

⚠ WARNING

Electric Shock Hazard

Improper use of the grounding can result in electric shock.

Do not plug into an outlet until appliance is properly installed and grounded.

This appliance must be grounded. In the event of an electrical short circuit, grounding reduces the risk of electric shock by providing an escape wire for the electric current.

This appliance is equipped with a cord having a grounding wire with a grounding plug. The plug must be plugged into an outlet that is properly installed and grounded.

Consult a qualified electrician or serviceman if the grounding instructions are not completely understood or if doubt exists as to whether the appliance is properly grounded.

If it is necessary to use an extension cord, use only a 3-wire extension cord.

- A short power-supply cord is provided to reduce the risks resulting from becoming entangled in or tripping over a longer cord.

- If a long cord set or extension cord is used:
 - The marked electrical rating of the cord set or extension cord should be at least as great as the electrical rating of the appliance.
 - The extension cord must be a grounding-type 3-wire cord.
 - The long cord should be arranged so that it will not drape over the counter top or tabletop where it can be pulled on by children or tripped over unintentionally.

Utensils

CAUTION

Personal Injury Hazard

It is hazardous for anyone other than a competent person to carry out any service or repair operation that involves the removal of a cover which gives protection against exposure to microwave energy.

EN

See the instructions on "Materials you can use in microwave oven or to be avoided in microwave oven." There may be certain non-metallic utensils that are not safe to use for microwaving. If in doubt, you can test the utensil in question following the procedure below.

Utensil Test:

- Fill a microwave-safe container with 1 cup of cold water (250ml) along with the utensil in question.
- Cook on maximum power for 1 minute.
- Carefully feel the utensil. If the empty utensil is warm, do not use it for microwave cooking.
- Do not exceed 1 minute cooking time.

Materials you can use in microwave oven

Utensils	Remarks
Browning dish	Follow manufacturer's instructions. The bottom of browning dish must be at least 3/16 inch (5mm) above the turntable. Incorrect usage may cause the turntable to break.
Dinnerware	Microwave-safe only. Follow manufacturer's instructions. Do not use cracked or chipped dishes.
Glass jars	Always remove lid. Use only to heat food until just warm. Most glass jars are not heat resistant and may break.
Glassware	Heat-resistant oven glassware only. Make sure there is no metallic trim. Do not use cracked or chipped dishes.
Oven cooking bags	Follow manufacturer's instructions. Do not close with metal tie. Make slits to allow steam to escape.
Paper plates and cups	Use for short-term cooking/warming only. Do not leave oven unattended while cooking.
Paper towels	Use to cover food for reheating and absorbing fat. Use with supervision for a short-term cooking only.
Parchment paper	Use as a cover to prevent splattering or a wrap for steaming.
Plastic	Microwave-safe only. Follow the manufacturer's instructions. Should be labeled "Microwave Safe". Some plastic containers soften, as the food inside gets hot. "Boiling bags" and tightly closed plastic bags should be slit, pierced or vented as directed by package.
Plastic wrap	Microwave-safe only. Use to cover food during cooking to retain moisture. Do not allow plastic wrap to touch food.
Thermometers	Microwave-safe only (meat and candy thermometers).
Wax paper	Use as a cover to prevent splattering and retain moisture.

EN

Materials to be avoided in microwave oven

Utensils	Remarks
Aluminum tray	May cause arcing. Transfer food into microwave-safe dish.
Food carton with metal handle	May cause arcing. Transfer food into microwave-safe dish.
Metal or metal-trimmed utensils	Metal shields the food from microwave energy. Metal trim may cause arcing.
Metal twist ties	May cause arcing and could cause a fire in the oven.
Paper bags	May cause a fire in the oven.
Plastic foam	Plastic foam may melt or contaminate the liquid inside when exposed to high temperature.
Wood	Wood will dry out when used in the microwave oven and may split or crack.

SPECIFICATION

MODEL	MM20CF2E/MM20CF2EBK
RATED VOLTAGE	230V- 50Hz
RATED INPUT (MICROWAVE)	1050W
RATED OUTPUT (MICROWAVE)	700W

EN

PRODUCT OVERVIEW

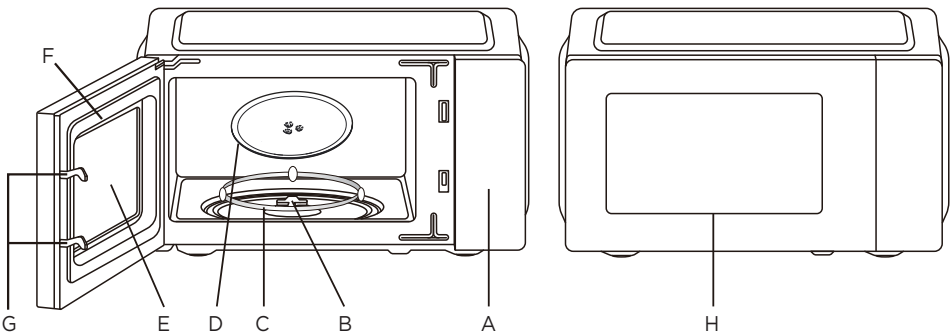
Names of Oven Parts and Accessories

In case of any differences between the appliance and the pictures in this manual, the product shall prevail.

Remove the oven and all materials from the carton and oven cavity. Your oven comes with the following accessories:

Glass tray	1
Turntable ring assembly	1
Instruction Manual	1

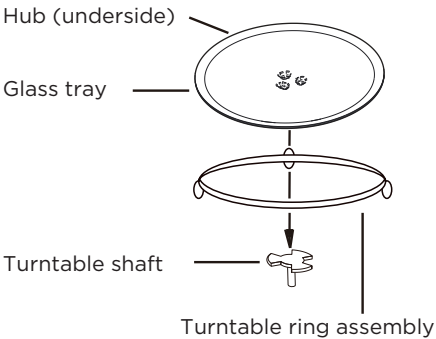
EN



- A) Control panel
- B) Turntable shaft
- C) Turntable ring assembly
- D) Glass tray

- E) Observation window
- F) Door assembly
- G) Safety interlock system
- H) Door

Turntable Installation



- a. Never place the glass tray upside down. The glass tray should never be restricted.
- b. Both glass tray and turntable ring assembly must always be used during cooking.
- c. All food and containers of food are always placed on the glass tray for cooking.
- d. If glass tray or turntable ring assembly cracks or breaks, contact your nearest authorized service center.

PRODUCT INSTALLATION

Countertop Installation

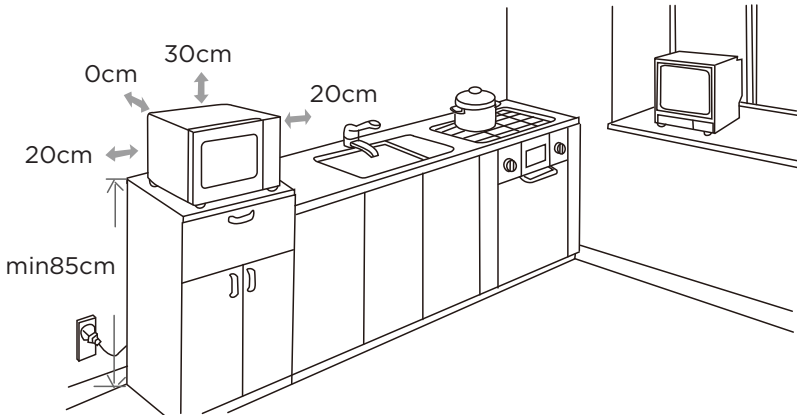
Remove all packing material and accessories. Examine the oven for any damage such as dents or broken door. Do not install if oven is damaged.

Cabinet: Remove any protective film found on the microwave oven cabinet surface. Do not remove the waveguide cover that is attached to the oven cavity to protect the magnetron.

EN

Installation

1. Select a level surface that provide enough open space for the intake and/or outlet vents.



- The minimum installation height is 85cm.
 - The rear surface of appliance shall be placed against a wall. Leave a minimum clearance of 30cm above the oven, a minimum clearance of 20cm is required between the oven and any adjacent walls.
 - Do not remove the legs from the bottom of the oven.
 - Blocking the intake and/or outlet openings can damage the oven
 - Place the oven as far away from radios and TV as possible. Operation of microwave oven may cause interference to your radio or TV reception.
2. Plug your oven into a standard household outlet. Be sure the voltage and the frequency is the same as the voltage and the frequency on the rating label.

⚠ WARNING

Do not install oven over a range cooktop or other heat-producing appliance. If installed near or over a heat source, the oven could be damaged and the warranty would be void.

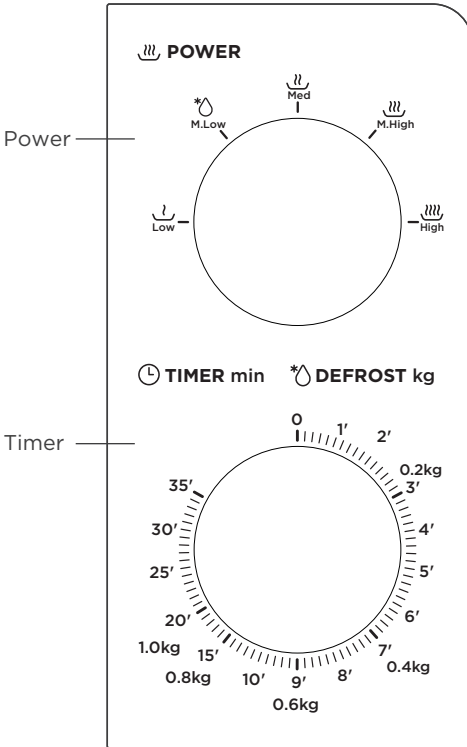
The accessible surface may be hot during operation.



OPERATION INSTRUCTIONS

Control Panel and Features

EN



1. To set cooking power by turning the power knob to desired level.
2. To set the time of cooking by turning the timer knob to desired time per your food cooking guide.
3. The microwave oven will automatically start cooking after power level and time are set.
4. When the cooking time is up, the unit will "Dong" to stop.
5. If the unit is not in use, always set time to the initial position.

Function/Power	Output	Application
Low	17% micro.	Soften ice cream
M.Low	33% micro.	Soup stew, soften butter or defrost
Med	55% micro.	Stew, fish
M.High	77% micro.	Rice, fish, chicken, ground meat
High	100% micro.	Reheat, milk, boil water, vegetables, beverage

NOTE When removing food from the oven, please ensure that the oven power is switched off by turning the timer switch to the initial position. Failure to do so, and operating the microwave oven without food in it, can result in overheating and damage to the magnetron.

CLEANING AND MAINTENANCE

Be sure to unplug the appliance from the power supply.

- Clean the cavity of the oven after using with a slightly damp cloth.
- Clean the accessories in the usual way in soapy water.
- The door frame and seal and neighbouring parts must be cleaned carefully with a damp cloth when they are dirty.
- Do not use harsh abrasive cleaners or sharp metal scrapers to clean the oven door glass since they can scratch the surface, which may result in shattering of the glass.
- Cleaning Tip---For easier cleaning of the cavity walls that the food cooked can touch: Place half a lemon in a bowl, add 300ml (1/2 pint) water and heat on 100% microwave power for 10 minutes. Wipe the oven clean using a soft, dry cloth.

EN


TROUBLE SHOOTING

Normal	
Microwave oven interfering TV reception	Radio and TV reception may be interfered when microwave oven operating. It is similar to the interference of small electrical appliances, like mixer, vacuum cleaner, and electric fan. It is normal.
Dim oven light	In low power microwave cooking, oven light may become dim. It is normal.
Steam accumulating on door, hot air out of vents	In cooking, steam may come out of food. Most will get out from vents. But some may accumulate on cool place like oven door. It is normal.
Oven started accidentally with no food in.	It is forbidden to run the unit without any food inside. It is very dangerous.

EN

Trouble	Possible Cause	Remedy
Oven can not be started.	<ul style="list-style-type: none"> Power cord is not plugged in tightly. 	<ul style="list-style-type: none"> Unplug. Then plug again after 10 seconds.
	<ul style="list-style-type: none"> Fuse blowing or circuit breaker works. 	<ul style="list-style-type: none"> Replace fuse or reset circuit breaker (repaired by professional personnel of our company)
	<ul style="list-style-type: none"> Trouble with outlet. 	<ul style="list-style-type: none"> Test outlet with other electrical appliances.
Oven does not heat.	<ul style="list-style-type: none"> Door is not closed well. 	<ul style="list-style-type: none"> Close door well.

TRADEMARKS, COPYRIGHTS AND LEGAL STATEMENT

 Midea logo, word marks, trade name, trade dress and all versions thereof are valuable assets of Midea Group and/or its affiliates (“Midea”), to which Midea owns trademarks, copyrights and other intellectual property rights, and all goodwill derived from using any part of an Midea trademark. Use of Midea trademark for commercial purposes without the prior written consent of Midea may constitute trademark infringement or unfair competition in violation of relevant laws.

EN

This manual is created by Midea and Midea reserves all copyrights thereof. No entity or individual may use, duplicate, modify, distribute in whole or in part this manual, or bundle or sell with other products without the prior written consent of Midea.

All the described functions and instructions were up to date at the time of printing this manual. However, the actual product may vary due to improved functions and designs.

DISPOSAL AND RECYCLING

Important instructions for environment

Compliance with the WEEE Directive and Disposing of the Waster Product:
This product complies with EU WEEE Directive (2012/19/EU). This product bears a classification symbol for waster electrical and electronic equipment (WEEE).

This symbol indicates that this product shall not be disposed with other household wastes at the end of its service life. Used device must be returned to official collection point for recycling of electrical electronic devices. To find these collection systems please contact to your local authorities or retailer where the product was purchased. Each household performs important role in recovering and recycling of old appliance. Appropriate disposal of used appliance helps prevent potential negative consequences for the environment and human health.



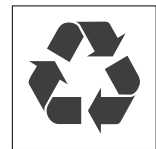
EN

Compliance with RoHS Directive

The product you have purchased complies with EU RoHS Directive (2011/65/EU). It does not contain harmful and prohibited materials specified in the Directive.

Package information

Packaging materials of the product are manufactured from recyclable materials in accordance with our National Environment Regulations. Do not dispose of the packaging materials together with the domestic or other wastes. Take them to the packaging material collection points designated by the local authorities.



DATA PROTECTION NOTICE

For the provision of the services agreed with the customer, we agree to comply without restriction with all stipulations of applicable data protection law, in line with agreed countries within which services to the customer will be delivered, as well as, where applicable, the EU General Data Protection Regulation (GDPR).

Generally, our data processing is to fulfil our obligation under contract with you and for product safety reasons, to safeguard your rights in connection with warranty and product registration questions. In some cases, but only if appropriate data protection is ensured, personal data might be transferred to recipients located outside of the European Economic Area.

EN

Further information are provided on request. You can contact our Data Protection Officer via **MideaDPO@midea.com**. To exercise your rights such as right to object your personal data being processed for direct marketing purposes, please contact us via **MideaDPO@midea.com**. To find further information, please follow the QR Code.

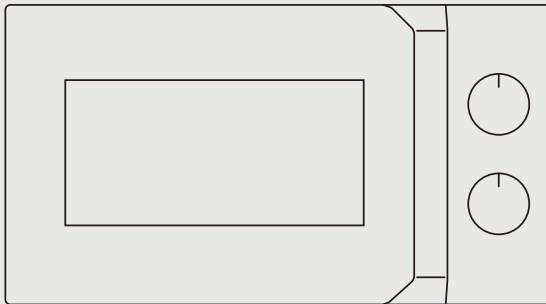


make yourself at home



www.midea.com

© Midea 2024 all rights reserved



MIKROWELLE

BEDIENUNGSANLEITUNG

**MM20CF2E
MM20CF2EBK**

Warnung: Diese Bedienungsanleitung vor dem Gebrauch des Geräts sorgfältig durchlesen und für ein zukünftiges Nachschlagen gut aufbewahren. Design und technische Daten unterliegen aufgrund von Produktverbesserungen unangekündigten Änderungen.

Weitere Informationen erhalten Sie von Ihrem Händler oder vom Hersteller.

Die oben dargestellte Abbildung dient nur der Veranschaulichung und kann vom tatsächlichen Produkt abweichen.

VIELEN DANK

Danke, dass Sie sich für Midea entschieden haben! Bitte lesen Sie die Bedienungsanleitung vor der Nutzung Ihres neuen Midea-Produkts sorgfältig durch, um sich mit dem ordnungsgemäßen und sicheren Gebrauch des Geräts vertraut zu machen.

INHALTSVERZEICHNIS

VIELEN DANK	DE-01
SICHERHEITSHINWEISE	DE-02
TECHNISCHE DATEN	DE-11
PRODUKTÜBERSICHT	DE-12
INSTALLATION	DE-13
BETRIEB	DE-14
REINIGUNG UND WARTUNG	DE-15
STÖRBEHEBUNG	DE-16
MARKENZEICHEN, UHRHEBERRECHTE UND RECHTLICHE HINWEISE	DE-17
ENTSORGUNG UND RECYCLING	DE-18
DATENSCHUTZHINWEISE	DE-19

SICHERHEITSHINWEISE

Bestimmungsgemäßer Gebrauch

Die nachfolgenden Sicherheitsinformationen dienen dazu, unvorhersehbare Risiken oder Schäden aufgrund einer unsicheren oder inkorrekten Anwendung des Geräts zu vermeiden. Bitte überprüfen Sie nach dem Erhalt die Verpackung und das Gerät, um sich davon zu überzeugen, dass das Gerät in einwandfreiem Zustand ist und so ein sicherer Betrieb gewährleistet werden kann. Falls Schäden vorhanden sind, wenden Sie sich an Ihren Händler. Bitte beachten Sie, dass das Gerät aus Gründen Ihrer Sicherheit nicht modifiziert oder verändert werden darf. Bei Zweckentfremdung können Gefahren verursacht werden und Sie verlieren Ihren Garantieanspruch.

DE

Erläuterung von Symbolen



Gefahr

Dieses Symbol weist auf gesundheits- und lebensbedrohliche Gefahren aufgrund von äußerst entflammenden Gasen hin.



Warnung vor elektrischer Spannung

Dieses Symbol weist auf gesundheits- und lebensbedrohliche Gefahren aufgrund elektrischer Spannung hin.



Warnung

Dieses Signalwort weist auf eine Gefahr mittlerer Risikostufe hin, die, sofern sie nicht abgewendet wird, schwere oder tödliche Verletzungen zur Folge haben kann.



Vorsicht

Dieses Signalwort weist auf eine Gefahr niedriger Risikostufe hin, die, sofern sie nicht abgewendet wird, leichte oder moderate Verletzungen verursachen kann.



Achtung

Dieses Signalwort weist auf wichtige Informationen (z.B. Sachschäden) jedoch nicht auf eine Gefahr hin.



Anleitung befolgen

Dieses Symbol weist darauf hin, dass Wartungstechniker das Gerät nur gemäß der Bedienungsanleitung bedienen und warten dürfen.

Lesen Sie diese Bedienungsanleitung vor dem Gebrauch/ der Inbetriebnahme sorgfältig und gründlich durch. Bewahren Sie die Anleitung für ein späteres Nachschlagen in der Nähe des installierten Geräts auf!

Vorkehrungen Zur Vermeidung Einer Möglichen Exposition Gegenüber Übermässiger Mikrowellenstrahlung

- a. Versuchen Sie nicht, das Gerät bei geöffneter Tür zu betreiben, da dies zu einer schädlichen Exposition gegenüber Mikrowellenstrahlung führen kann. Es ist wichtig, dass die Sicherheitsverriegelungen nicht beschädigt oder manipuliert werden.
- b. Platzieren Sie keine Gegenstände zwischen dem Garraum des Herdes und der Tür. Stellen Sie sicher, dass sich keine Schmutz- oder Reinigungsmittelreste auf den Dichtungsflächen ansammeln.
- c. **WARNUNG:** Wenn die Tür oder die Türdichtungen beschädigt sind, darf der Herd nicht in Betrieb genommen werden, bis er von einer kompetenten Person repariert worden ist.

DE

Anhang

Falls das Gerät nicht in einem ordentlichen Sauberkeitszustand gehalten wird, kann die Oberfläche beschädigt werden, was die Lebensdauer des Geräts beeinträchtigt und zu Gefahrensituation führen kann.

Wichtige Sicherheitshinweise

⚠️ WARNUNG

Um das Risiko eines Brands, elektrischen Schlags, einer Verletzung oder Exposition gegen übermäßige Mikrowellenstrahlung zu verringern, müssen die folgenden grundlegenden Vorsichtsmaßnahmen beachtet werden:

- Lesen und befolgen Sie die folgenden Punkte für:
„VORKEHRUNGEN ZUR VERMEIDUNG EINER MÖGLICHEN EXPOSITION GEGENÜBER ÜBERMÄSSIGER MIKROWELLENSTRAHLUNG“.
- Dieses Gerät ist nicht für den Gebrauch durch Personen (einschließlich Kinder) mit verminderten körperlichen, sensorischen oder geistigen Fähigkeiten oder mangelnder Erfahrung und Kenntnissen bestimmt, es sei denn, sie werden beaufsichtigt oder haben Anweisungen zur Verwendung des Gerätes durch eine für ihre Sicherheit verantwortliche Person erhalten.
- Kinder müssen beaufsichtigt werden, um sicherzustellen, dass sie nicht mit dem Gerät spielen.
- Falls das Netzkabel beschädigt ist, muss es vom Hersteller, seinem Kundendienst oder einer ähnlich qualifizierten Person ausgetauscht werden, um eine Gefährdung zu vermeiden.
- **WARNUNG:** Stellen Sie sicher, dass das Gerät vor dem Auswechseln der Lampe ausgeschaltet ist, um die Gefahr eines Stromschlags zu vermeiden.
- **WARNUNG:** Es besteht eine Gefahrensituation, falls Wartungs- oder Reparaturarbeiten von nicht fachkundigen Personen durchgeführt werden, bei denen eine Abdeckung entfernt werden muss, die vor der Exposition von Mikrowellenstrahlung schützt.

- **WARNUNG:** Flüssigkeiten und andere Lebensmittel dürfen nicht in verschlossenen Behältern erhitzt werden, da diese explodieren könnten.
- Behalten Sie den Ofen beim Erhitzen von Lebensmitteln in Plastik- oder Pappbehältern im Auge, da Entzündungsgefahr besteht.
- Verwenden Sie nur Kochgeschirr, das für den Gebrauch in Mikrowellenherden geeignet ist.
- Schalten Sie bei Rauchentwicklung das Gerät aus bzw. ziehen Sie den Netzstecker ab und halten Sie die Tür geschlossen, um etwaige Flammen zu ersticken.
- Das Erhitzen von Getränken in der Mikrowelle kann zu einem verzögerten, plötzlichen Aufkochen führen, daher ist bei der Handhabung der Behälter Vorsicht geboten.
- Rühren oder schütteln Sie den Inhalt von Babyflaschen und Gläschen mit Babynahrung vor dem Verzehr und überprüfen Sie die Temperatur, um Verbrennungen zu vermeiden.
- Eier mit Schale und ganze hartgekochte Eier dürfen nicht in der Mikrowelle erhitzt werden, da sie explodieren können, selbst nachdem der Heizvorgang abgeschlossen ist.
- Der Mikrowellenherd sollte regelmäßig gereinigt und alle Lebensmittelablagerungen entfernt werden.
- Wenn die Mikrowelle nicht in einwandfreiem, sauberem Zustand gehalten wird, kann dies zur Beschädigung der Oberfläche führen und die Lebensdauer des Gerätes beeinträchtigen bzw. zu Gefahrensituationen führen.
- Das Gerät darf nicht hinter einer Dekortür installiert werden, um eine Überhitzung zu vermeiden (dies gilt nicht für Geräte mit Dekortür).

- Verwenden Sie nur den für diesen Mikrowellenherd empfohlenen Temperaturfühler (für Herde, die mit einer Vorrichtung für Temperaturmessfühler ausgestattet sind).
- Der Mikrowellenherd darf nicht in einen Schrank gestellt werden, es sei denn, er wurde in einem Schrank getestet.
- Der Mikrowellenherd muss mit geöffneter Dekortür betrieben werden (für Herde mit einer Dekortür).
- Dieses Gerät ist für den Haushaltsgebrauch und ähnliche Anwendungsbereiche bestimmt, z. B. in:
 - Personalküchen in Geschäften, Büros und anderen Arbeitsumgebungen;
 - von Kunden in Hotels, Motels und andere Wohnumgebungen;
 - in Gast- und Farmhäusern;
 - in Frühstückspensionen und ähnlichen Bereichen.
- Die Mikrowelle dient zum Aufwärmen von Nahrungsmitteln und Getränken. Das Trocknen von Nahrungsmitteln oder Kleidern sowie das Erwärmen von Heizkissen, Pantoffeln, Schwämmen, feuchten Textilien usw. kann zu einer Verletzungs-, Entzündungs- oder Brandgefahr führen.
- 30. Metallbehälter für Speisen und Getränke sind für den Garvorgang in der Mikrowelle verboten.
- Das Gerät darf nicht mit einem Dampfreiniger gereinigt werden.
- Das Gerät ist für den freistehenden Betrieb bestimmt.
- Die Rückwand des Geräts muss an einer Wand platziert werden.

**DIE ANWEISUNGEN SORGFÄLTIG LESEN UND
FÜR DAS SPÄTERE NACHSCHLAGEN
AUFBEWAHREN**

Zur Reduzierung Von Verletzungsrisiken Für Personen Aufgrund Der Erdungsinstallation

⚠ GEFAHR

Stromschlaggefahr

Das Berühren einiger interner Komponenten kann zu schweren Verletzungen oder gar zum Tode führen. Nehmen Sie das Gerät nicht auseinander.

⚠ WARNUNG

Stromschlaggefahr

Bei unsachgemäßer Verwendung der Erdung besteht Stromschlaggefahr. Schließen Sie das Gerät erst an eine Steckdose an, wenn es ordnungsgemäß installiert und geerdet ist.

Dieses Gerät muss geerdet werden. Im Falle eines Kurzschlusses reduziert das Erden das Risiko eines elektrischen Stromschlags, indem es ein Fluchtweg für den Stromfluss bietet.

Dieses Gerät ist mit einem Kabel mit Erdungsdraht und einem Erdungsstecker ausgestattet. Der Stecker muss in eine ordnungsgemäß installierte und geerdete Steckdose eingesteckt werden.

Wenden Sie sich an einen qualifizierten Elektriker oder Servicetechniker, falls Sie die Anschlussanweisungen für die Erdung nicht richtig verstanden haben oder falls Sie Zweifel an der fachgerechten Erdung des Geräts haben.

Falls die Verwendung eines Verlängerungskabel erforderlich ist, verwenden Sie nur ein 3-adriges Verlängerungskabel.

DE

- Im Lieferumfang ist ein kurzes Netzkabel enthalten, um die Gefahr zu reduzieren, sich im Kabel zu verheddern oder über ein längeres Kabel zu stolpern.
- Bei Verwendung eines langen Kabels oder Verlängerungskabels:
 - muss die ausgewiesene elektrische Leistung des Netz- bzw. Verlängerungskabels mindestens der elektrischen Leistung des Gerätes entsprechen.
 - muss das Verlängerungskabel ein 3-adriges Erdungskabel sein.
 - muss ein längeres Kabel so angeordnet werden, dass es nicht über Arbeits- oder Tischplatten herunter hängt, wo Kinder daran ziehen könnten oder eine mögliche Stolpergefahr darstellt.

DE

Küchengeschirr

⚠ VORSICHT

Es besteht eine Gefahrensituation, falls Wartungs- oder Reparaturarbeiten von nicht fachkundigen Personen durchgeführt werden, bei denen eine Abdeckung entfernt werden muss, die vor der Exposition von Mikrowellenstrahlung schützt. Beachten Sie die Hinweise unter „Verwendbare Materialien in der Mikrowelle“ bzw. „Nicht verwendbare Materialien in der Mikrowelle“.

Es kann möglicherweise sein, dass bestimmtes nichtmetallisches Kochgeschirr nicht zur sicheren Verwendung in der Mikrowelle geeignet ist. Im Zweifelsfall können Sie das betreffende Kochgeschirr nach dem folgenden Verfahren testen.

DE

Kochgeschirr-Test:

- Füllen Sie ein mikrowellengeeignetes Gefäß mit 1 Tasse kaltem Wasser (250 ml) und stellen Sie das entsprechende Kochgeschirr hinein.
- Betreiben Sie die Mikrowelle für 1 Minute lang bei maximaler Leistung.
- Berühren Sie das Gerät vorsichtig. Falls das leere Kochgeschirr warm ist, darf es nicht für Garvorgänge in der Mikrowelle verwendet werden.
- Überschreiten Sie nicht die Garzeit von 1 Minute.

Verwendbare Materialien in der Mikrowelle

Kochgeschirr	Anmerkungen
Bräunungsschale	Beachten Sie die Anweisungen des Herstellers. Der Boden der Bräunungsschale muss sich mindestens 5 mm (3/16 Zoll) über dem Drehteller befinden. Bei unsachgemäßer Verwendung kann der Drehteller brechen.
Essgeschirr	Nur mikrowellengeeignetes Geschirr verwenden. Beachten Sie die Anweisungen des Herstellers. Verwenden Sie kein gesprungenes Geschirr oder Geschirr mit Absplitterungen.
Glasgefäße	Deckel immer abnehmen. Nur zum Anwärmen von Speisen verwenden. Die meisten Glasgefäße sind nicht hitzebeständig und können zerbrechen.
Glaswaren	Nur hitzebeständiges Ofen-Glasgeschirr verwenden. Achten Sie darauf, dass keine Metallteile vorhanden sind. Verwenden Sie kein gesprungenes Geschirr oder Geschirr mit Absplitterungen.
Bratschläuche	Beachten Sie die Anweisungen des Herstellers. Nicht mit Metallbändern verschließen. Schlitze einfügen, damit der Dampf entweichen kann.
Pappteller und -becher	Nur zum kurzfristigen Garen/Aufwärmen verwenden. Lassen Sie die Mikrowelle während des Garens nicht unbeaufsichtigt.
Papierhandtücher	Zum Abdecken von Speisen für das Aufwärmen und zum Aufsaugen von Fett verwenden. Nur unter Aufsicht für kurzzeitiges Garen verwenden.
Backpapier	Zum Abdecken, um Spritzer zu vermeiden oder zum Einwickeln beim Dampfgaren.
Kunststoffe	Nur mikrowellengeeignetes Geschirr verwenden. Befolgen Sie die Anweisungen des Herstellers. Sollte als „mikrowellengeeignet“ beschriftet sein. Einige Kunststoffbehälter werden weich, wenn die Lebensmittel darin heiß werden. „Kochbeutel“ und fest verschlossene Kunststoffbeutel sollten entsprechend den Anweisungen auf der Verpackung aufgeschlitzt, durchstochen oder belüftet werden.
Frischhaltefolie	Nur mikrowellengeeignetes Geschirr verwenden. Zum Abdecken von Lebensmitteln während des Garvorgangs zum Beibehalten der Feuchtigkeit verwenden. Vergewissern Sie sich, dass die Frischhaltefolie die Lebensmittel nicht berührt.
Thermometer	Nur mikrowellengeeignete (Fleisch- und Zuckerthermometer) verwenden.
Wachspapier	Zum Abdecken, um Spritzer zu vermeiden und zur Beibehaltung der Feuchtigkeit.

Nicht verwendbare Materialien in der Mikrowelle

Kochgeschirr	Anmerkungen
Aluminiumschale	Kann zu Funkenbildung führen. Speisen in eine mikrowellengeeignete Schale umfüllen.
Lebensmittelkarton mit Metallgriff	Kann zu Funkenbildung führen. Speisen in eine mikrowellengeeignete Schale umfüllen.
Kochgeschirr aus Metall oder metallverziertes Kochgeschirr	Metall schirmt die Lebensmittel vor der Mikrowellenstrahlung ab. Metallverzierungen können Funkenbildung verursachen.
Mit Metall versehene Bänder	Kann zu Funkenbildung und zu einem Brand in der Mikrowelle führen.
Papiertüten	Können einen Brand in der Mikrowelle verursachen.
Schaumstoff	Schaumstoff kann schmelzen bzw. Flüssigkeiten der Lebensmittel kontaminieren, wenn es hohen Temperaturen ausgesetzt wird.
Holz	Holz trocknet bei Verwendung in der Mikrowelle aus und kann splintern oder brechen.

TECHNISCHE DATEN

MODELL	MM20CF2E/MM20CF2EBK
NENNSPANNUNG	230V- 50Hz
NENNEINGANGSLEISTUNG (MIKROWELLE)	1050W
NENNAUSGANGSLEISTUNG (MIKROWELLE)	700W

DE

PRODUKTÜBERSICHT

Komponenten und Zubehör

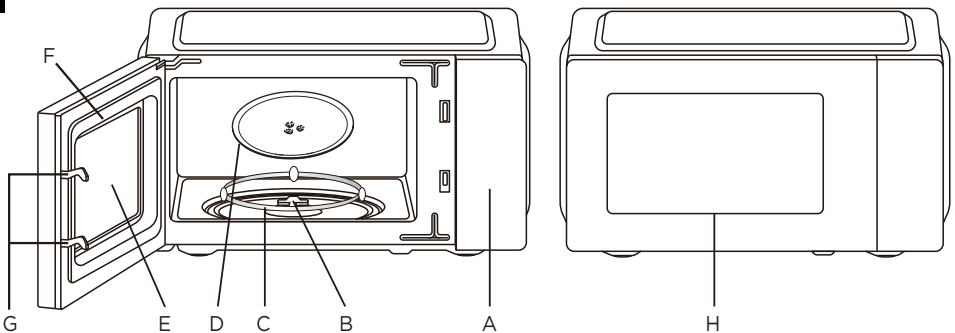
Die Abbildungen in dieser Bedienungsanleitung dienen nur der Veranschaulichung und können vom tatsächlichen Produkt abweichen.

Entnehmen Sie das Gerät und das gesamte Zubehör aus dem Karton und aus dem Inneren des Geräts.

Folgendes Zubehör ist im Lieferumfang enthalten:

Glasteller	1
Drehring	1
Bedienungsanleitung	1

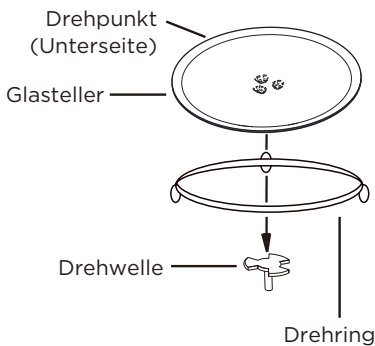
DE



- A) Bedienfeld
- B) Drehwelle
- C) Drehring
- D) Glasteller

- E) Sichtfenster
- F) Türrahmen
- G) Sicherheitsverriegelungen
- H) Tür

Drehteller installieren



- a. Installieren Sie den Glasteller immer richtig herum. Der Glasteller darf nicht blockiert werden.
- b. Sowohl der Glasteller als auch der Drehring müssen bei jedem Gebrauch verwendet werden.
- c. Stellen bzw. legen Sie Behälter bzw. Speisen immer auf den Glasteller.
- d. Falls der Glasteller oder der Drehring kaputt oder zerbrochen ist, wenden Sie sich bitte an Ihren Kundendienst vor Ort.

INSTALLATION

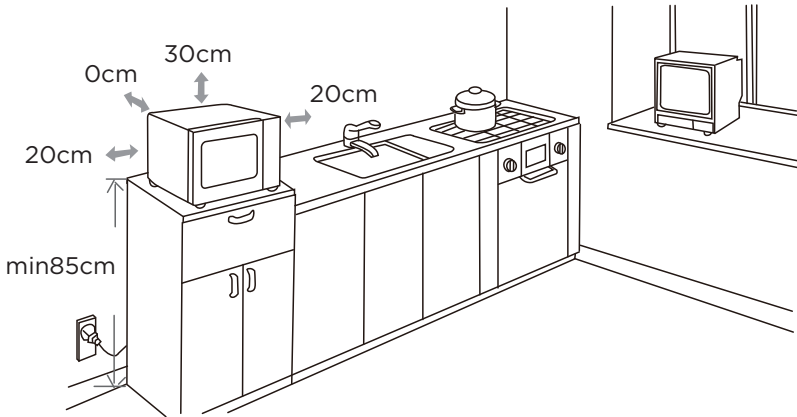
Installation auf Arbeitsflächen

Entfernen Sie das gesamte Verpackungsmaterial und Zubehör.
Untersuchen Sie die Mikrowelle auf mögliche Schäden wie Dellen oder Risse in der Tür. Im Schadensfall darf die Mikrowelle nicht installiert werden.
Gehäuse: Entfernen Sie Schutzfolien auf der Gehäuseoberfläche des Geräts.
Entfernen Sie nicht die hellbraune Glimmer scheibe im Inneren der Mikrowelle. Diese schützt das Magnetron.

Installation

1. Wählen Sie einen ebenen Untergrund mit genügend Platz für die Lufteingänge und/oder Luftausgänge.

DE



- Die Mindesthöhe für die Installation beträgt 85 cm.
 - Die Hinterseite des Geräts muss an einer Wand stehen.
Halten Sie über dem Gerät einen Sicherheitsabstand von mindestens 30 cm ein.
Lassen Sie zwischen der Mikrowelle und angrenzenden Wänden mindestens 20 cm Platz.
 - Entfernen Sie nicht die Standfüße an der Unterseite des Geräts.
 - Bei einer Blockierung der Lufteingänge und/oder Luftausgänge kann das Gerät beschädigt werden.
 - Stellen Sie das Gerät so weit weg wie möglich von Radios und Fernsehern auf.
Der Betrieb der Mikrowelle kann den Empfang Ihres Radios oder Fernsehers stören.
2. Schließen Sie Ihre Mikrowelle an eine herkömmliche Steckdose an.
Vergewissern Sie sich, dass die Spannung und die Frequenz mit den Angaben auf dem Typenschild übereinstimmen.

⚠️ WARNUNG

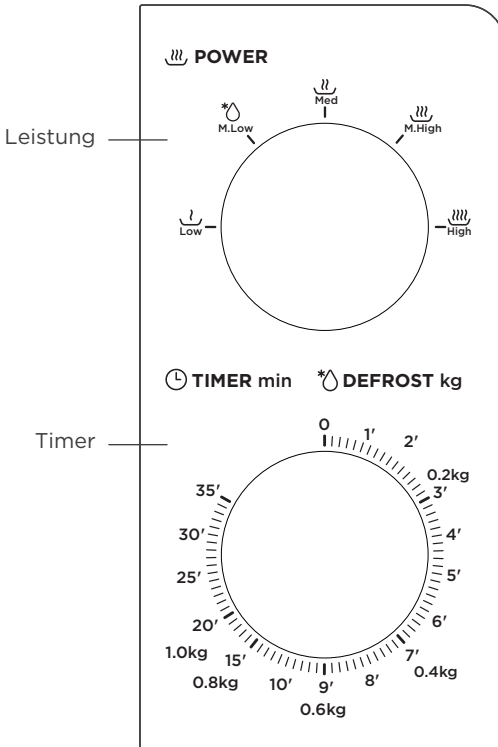
Installieren Sie die Mikrowelle nicht über einem Küchenherd oder anderen wärmeerzeugenden Geräten. Wird die Mikrowelle in der Nähe oder oberhalb eines wärmeerzeugenden Geräts installiert, könnte die Mikrowelle beschädigt werden. Die Garantie wird in solchem Fall nichtig.

Zugängliche Oberflächen können während des Betriebs heiß werden.



BETRIEB

BEDIENFELD UND FUNKTIONEN



1. Stellen Sie die Kochleistung durch Drehen des Leistungsreglers ein.
2. Stellen Sie die Kochdauer je nach Rezept durch Drehen des Timer-Reglers ein.
3. Die Mikrowelle startet automatisch, nachdem Sie die Leistung und die Kochdauer eingestellt haben.
4. Nach Ablauf der Kochdauer ertönt ein „Signalton“ und der Kochvorgang wird beendet.
5. Stellen Sie die Zeit mit „0“ ein, wenn das Gerät nicht in Gebrauch ist.

Funktion/Leistung	Ausgabe	Anwendung
Low	17% Mikro.	Eiscreme aufweichen
M.Low	33% Mikro.	Suppe, Eintopf, Butter schmelzen, Auftauen
Med	55% Mikro.	Eintopf, Fisch
M.High	77% Mikro.	Reis, Fisch, Hühnchen, Hackfleisch
High	100% Mikro.	Aufwärmen, Milch, Wasser kochen, Gemüse, Gemüse, Getränke

HINWEIS Wenn Sie Lebensmittel aus dem Ofen nehmen, stellen Sie bitte sicher, dass die Ofenstromversorgung ausgeschaltet ist, indem Sie den Umschalter auf 0 (Null) stellen.
Wenn Sie dies nicht tun und den Mikrowellenherd ohne Lebensmittel betreiben, kann dies zu Überhitzung und Beschädigung des Magnetrons führen.

REINIGUNG UND WARTUNG

Trennen Sie das Gerät vom Stromnetz.

- Reinigen Sie den Garraum des Geräts nach dem Gebrauch mit einem leicht angefeuchteten Lappen.
- Reinigen Sie das Zubehör normal in Spülwasser.
- Wenn der Rahmen und die Dichtung der Tür und angrenzende Teile schmutzig sind, müssen sie mit einem feuchten Lappen gereinigt werden.
- Verwenden Sie keine aggressiven Scheuermittel oder scharfe Metallkratzer zum Reinigen der Glastür, da anderenfalls die Oberfläche beschädigt und daraus resultierend das Glas zerbrechen könnte.
- Tipp für die Reinigung---Zum Entfernen von Essensrückständen an den Wänden des Garraums: Legen Sie eine halbe Zitrone in eine Schüssel, fügen Sie 300 ml (1/2 Pint) Wasser hinzu und erhitzen Sie das Gemisch 10 Minuten lang bei 100% Mikrowellenleistung. Wischen Sie das Gerät danach mit einem weichen, trockenen Lappen ab.

DE

STÖRBEHEBUNG


Normal

Der Betrieb der Mikrowelle stört den Fernsehempfang	Während des Betriebs der Mikrowelle können Radio- und Fernsehempfang gestört sein. Dies ähnelt den Störungen kleinerer elektrischer Geräte wie Mixer, Staubsaugern und Ventilatoren. Das ist normal.
Lampe ist dunkel	Bei Kochprogramm niedriger Leistungsstufe kann die Beleuchtung dunkler werden. Das ist normal.
Dampf bildet sich an der Tür, heißer Dampf tritt aus den Belüftungsöffnungen aus	Während des Kochens erzeugen die Speisen heißen Dampf, der zum größten Teil über die Belüftungsöffnungen abgeleitet wird. Ein weiterer Teil kann sich an der kühleren Gerätetür absetzen. Das ist normal.
Gerät versehentlich ohne Speisen gestartet	Das Gerät darf nicht ohne Speisen gestartet werden. Dieser Zustand ist sehr gefährlich.

DE

Problem	Mögliche Ursache	Behebung
Mikrowelle startet nicht	• Netzkabel nicht richtig angeschlossen.	• Trennen Sie das Netzkabel und schließen es nach 10 Sekunden erneut an.
	• Sicherung durchgebrannt oder Leistungsschutzschalter aktiviert.	• Ersetzen Sie die Sicherung oder stellen Sie den Leistungsschutzschalter zurück (muss von einer Fachkraft unserer Firma repariert werden).
	• Steckdose fehlerhaft.	• Geräte an die gleiche Steckdose an.
Mikrowelle erhitzt nicht	• Tür nicht richtig geschlossen.	• Schließen Sie die Tür ordnungsgemäß.

MARKENZEICHEN, URHEBERRECHTE UND RECHTLICHE HINWEISE

Logo  Midea, Wortmarken, Handelsnamen, Handelsaufmachungen und alle Versionen davon sind wertvolle Vermögenswerte von Midea und verbundenen Unternehmen, an denen Midea Marken, Urheberrechte und andere geistige Eigentumsrechte besitzt, sowie sämtliche Vermögenswerte, die sich aus der Verwendung eines Teils einer Midea-Marke ergeben. Die Verwendung der Marke Midea für kommerzielle Zwecke ohne die vorherige schriftliche Zustimmung von Midea stellt eine Markenverletzung bzw. einen unlauteren Wettbewerb dar, der gegen die einschlägigen Gesetze verstößt.

DE

Diese Bedienungsanleitung wurde von Midea erstellt und Midea behält sich alle damit verbundenen Urheberrechte vor. Keine juristische Person oder Einzelperson darf diese Bedienungsanleitung ganz oder teilweise ohne die vorherige schriftliche Zustimmung von Midea verwenden, vervielfältigen, modifizieren, verteilen oder mit anderen Produkten bündeln oder verkaufen.

Alle erläuterten Funktionen und Anleitungen waren zum Zeitpunkt des Drucks aktuell.

ENTSORGUNG UND RECYCLING

Wichtige Hinweise

Konformität mit der WEEE-Richtlinie zur Entsorgung von Altgeräten:
Dieses Gerät entspricht der EU WEEE-Richtlinie (2012/19/EU). Auf dem Gerät befindet sich eine Kennzeichnung, die das Gerät als elektrisches bzw. elektronisches Gerät (WEEE) klassifiziert.

Dieses Symbol weist darauf hin, dass das Produkt am Ende seiner Nutzungsdauer nicht über den normalen Hausmüll entsorgt werden darf. Es muss an einer offiziellen Sammelstelle für das Recycling elektrischer und elektronischer Altgeräte abgegeben werden. Informationen über die Standorte solcher Sammelstellen erhalten Sie auf Ihrer Behörde vor Ort oder beim Händler, bei dem Sie das Gerät erworben haben. Jeder Haushalt leistet einen wichtigen Beitrag durch die Wiederverwertung und das Recycling alter Geräte. Eine ordnungsgemäße Entsorgung des Geräts hilft dabei, negative Auswirkungen auf Umwelt und Gesundheit zu vermeiden.



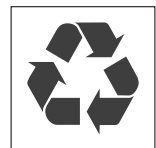
DE

Konformität mit der RoHS-Richtlinie

Das von Ihnen erworbene Produkt ist konform mit der EU RoHS-Richtlinie (2011/65/EU). Es enthält keine der in der Richtlinie genannten schädlichen oder verbotenen Materialien.

Wichtige Hinweise

Die Verpackungsmaterialien des Produkts wurden gemäß nationalen Umweltvorschriften aus wiederverwertbaren Materialien hergestellt. Entsorgen Sie das Verpackungsmaterial nicht zusammen mit dem Hausmüll oder anderen Abfällen. Bringen Sie es zu einer von den örtlichen Behörden ausgewiesenen Sammelstelle für die Entsorgung von Verpackungsmaterial.



DATENSCHUTZHINWEISE

Zur Erbringung der mit dem Kunden vereinbarten Leistungen, verpflichten wir uns, alle Bestimmungen des anwendbaren Datenschutzrechts gemäß den vereinbarten Ländern, in denen Dienstleistungen für den Kunden erbracht werden, sowie gegebenenfalls die EU-Datenschutzgrundverordnung (GDPR) uneingeschränkt einzuhalten.

Generell erfolgt unsere Datenverarbeitung zur Erfüllung unserer vertraglichen Verpflichtungen mit Ihnen und aus Gründen der Produktsicherheit, sowie zur Wahrung Ihrer Rechte im Zusammenhang mit Gewährleistungs- und Produktregistrierungsfragen. In einigen Fällen, jedoch nur wenn ein angemessener Datenschutz gewährleistet ist, können personenbezogene Daten an Empfänger außerhalb des Europäischen Wirtschaftsraums übermittelt werden.

Für weitere Informationen wenden Sie sich bitte an unsern Datenschutzbeauftragten via **MideaDPO@midea.com**. Um Ihre Rechte auszuüben, wie z. B. das Recht, der Verarbeitung Ihrer personenbezogenen Daten für Direktmarketingzwecke zu widersprechen, kontaktieren Sie uns bitte via **MideaDPO@midea.com**. Weitere Informationen erhalten Sie über den QR-Code.

DE

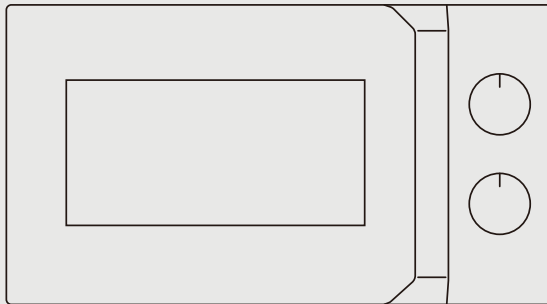


make yourself at home



www.midea.com

© Midea 2024 all rights reserved



FORNO A MICROONDE

MANUALE UTENTE

**MM20CF2E
MM20CF2EBK**

Avvertenze: Prima di utilizzare questo prodotto, leggere attentamente questo manuale e conservarlo per riferimento futuro. La progettazione e le specifiche sono soggette a modifiche senza preavviso per il miglioramento del prodotto.

Consultare il rivenditore o il produttore per maggiori dettagli.

Il diagramma qui sopra è solo per riferimento. Si prega di considerare l'aspetto del prodotto reale come standard.

LETTERA DI RINGRAZIAMENTO

Grazie per aver scelto Midea! Prima di utilizzare il nuovo prodotto Midea, leggere attentamente questo manuale per assicurarsi di sapere come utilizzare le caratteristiche e le funzioni offerte dal nuovo apparecchio in modo sicuro.

INDICE

LETTERA DI RINGRAZIAMENTO	IT-01
ISTRUZIONI DI SICUREZZA	IT-02
SPECIFICHE	IT-11
PANORAMICA DEL PRODOTTO	IT-12
INSTALLAZIONE DEL PRODOTTO	IT-13
ISTRUZIONI PER L'USO	IT-14
PULIZIA E MANUTENZIONE	IT-15
RISOLUZIONE DEI PROBLEMI	IT-16
MARCHI, DIRITTI D'AUTORE E DICHIARAZIONE LEGALE	IT-17
SMALTIMENTO E RICICLO	IT-18
TRATTAMENTO DEI DATI	IT-19

ISTRUZIONI DI SICUREZZA

Destinazione d'uso

Le seguenti linee guida sulla sicurezza hanno lo scopo di prevenire rischi imprevisti o danni derivanti da un funzionamento non sicuro o non corretto dell'apparecchio. Si prega di controllare l'imballaggio e l'apparecchio all'arrivo per assicurarsi che tutto sia intatto per garantire un funzionamento sicuro. In caso di danni, contattare il rivenditore o il rivenditore. Si prega di notare che modifiche o alterazioni dell'apparecchio non sono consentite per motivi di sicurezza. L'uso non previsto potrebbe provocare rischi e perdita di diritto alla garanzia.

Spiegazione dei simboli

IT



Pericolo

Questo simbolo indica che ci sono pericoli per la vita e la salute delle persone a causa del gas estremamente infiammabile.



Avviso di tensione elettrica pericolosa

Questo simbolo indica che esiste un pericolo per la vita e la salute delle persone a causa della tensione.



Avvertenze

La parola segnale indica un pericolo con un livello di rischio medio che, se non evitato, può causare morte o lesioni gravi.



Attenzione

La parola segnale indica un pericolo con un basso grado di rischio che, se non evitato, può provocare lesioni lievi o moderate.



Attenzione

La parola segnale indica informazioni importanti (ad es. danni alle cose), ma non pericolo.



Attenersi alle istruzioni

Questo simbolo indica che un tecnico dell'assistenza deve utilizzare e mantenere questo apparecchio solo in conformità con le istruzioni per l'uso.

Prima di utilizzare/mettere in funzione l'apparecchio, leggere attentamente le presenti istruzioni per l'uso e conservarle nelle immediate vicinanze del luogo di installazione o dell'apparecchio per un successivo utilizzo!

Precauzioni Per Evitare La Possibile Esposizione a Un'Eccessiva Energia a Microonde

- a. Non tentare di far funzionare questo forno con lo sportello aperto, poiché ciò può comportare un'esposizione dannosa all'energia delle microonde. È importante non rompere o manomettere gli interblocchi di sicurezza.
- b. Non posizionare alcun oggetto tra la parte anteriore del forno e lo sportello e non lasciare che lo sporco o i residui di detergente si accumulino sulle superfici di tenuta.
- c. **AVVERTENZA:** Se lo sportello o le guarnizioni dello sportello sono danneggiati, il forno non deve essere messo in funzione fino a quando non sia stato riparato da una persona competente.

Addendum

Se l'apparecchio non è sottoposto a una buona pulizia, la sua superficie potrebbe essere deteriorata e compromettere la durata di vita dell'apparecchio e portare a una situazione pericolosa.

Importanti Istruzioni Di Sicurezza

⚠ AVVERTENZA

Per ridurre il rischio di incendio, scosse elettriche, lesioni alle persone o esposizione a un'eccessiva energia del forno a microonde quando si usa l'apparecchio, seguire le precauzioni di base, tra cui le seguenti:

- Leggere e seguire la specifica: "PRECAUZIONI PER EVITARE POSSIBILI ESPOSIZIONI A ENERGIA A MICROONDE ECCESSIVA".
- Questo apparecchio non è destinato all'uso da parte di persone (compresi i bambini) con ridotte capacità fisiche, sensoriali o mentali, o con mancanza di esperienza e conoscenza, a meno che vengano supervisionate o istruite sull'uso dell'apparecchio da una persona responsabile della loro sicurezza.
- I bambini devono essere sorvegliati per assicurarsi che non giochino con l'apparecchio.
- Se il cavo di alimentazione è danneggiato, deve essere sostituito dal produttore, dal suo agente di assistenza o da persone analogamente qualificate, al fine di evitare qualsiasi pericolo.
- AVVERTENZA: Assicurarsi che l'apparecchio sia spento prima di sostituire la lampadina per evitare la possibilità di scosse elettriche.
- AVVERTENZA: È pericoloso per chiunque non sia una persona competente eseguire qualsiasi operazione di manutenzione o riparazione che comporti la rimozione di una copertura che protegga dall'esposizione alle microonde.
- AVVERTENZA: I liquidi e gli altri alimenti non devono essere riscaldati in contenitori sigillati perché possono esplodere.

- Quando si riscaldano alimenti in contenitori di plastica o di carta, controllare il forno a causa della possibilità di accensione.
- Usare solo utensili adatti all'uso nel forno a microonde.
- In caso di emissione di fumo, spegnere o scollegare l'apparecchio e tenere lo sportello chiuso per soffocare eventuali fiamme.
- Il riscaldamento a microonde delle bevande può provocare un'ebollizione eruttiva ritardata, pertanto occorre prestare attenzione quando si maneggia il contenitore.
- IT** • Mescolare o agitare il contenuto dei biberon e dei vasetti per alimenti per bambini e controllare la temperatura prima del consumo, al fine di evitare ustioni.
- Le uova nel loro guscio e le uova sode intere non devono essere riscaldate nel forno a microonde perché possono esplodere, anche dopo la fine del riscaldamento a microonde.
- Il forno deve essere pulito regolarmente e i depositi di cibo devono essere rimossi.
- Il mancato mantenimento del forno in condizioni di pulizia potrebbe portare a un deterioramento della superficie che potrebbe influire negativamente sulla durata dell'apparecchio e causare eventualmente una situazione di pericolo.
- L'apparecchio non deve essere installato dietro uno sportello decorativo per evitare il surriscaldamento. (Questo non è applicabile agli apparecchi senza sportello decorativo.)
- Utilizzare solo la sonda di temperatura raccomandata per questo forno (per i forni dotati della possibilità di utilizzare una sonda di rilevamento della temperatura).

- Il forno a microonde non deve essere collocato in un mobile, a condizione che sia stato testato in un mobile.
- Il forno a microonde deve essere azionato con lo sportello decorativo aperto (per i forni con sportello decorativo).
- Questo apparecchio è destinato a essere utilizzato in applicazioni domestiche e simili come:
 - aree di cucina del personale in negozi, uffici e altri ambienti di lavoro;
 - dai clienti in alberghi, motel e altri ambienti di tipo residenziale;
 - fattorie;
 - ambienti di tipo bed and breakfast.
- Il forno a microonde è destinato al riscaldamento di cibi e bevande. L'essiccazione di cibo o l'asciugatura di indumenti e il riscaldamento di cuscini riscaldanti, pantofole, spugne, panni umidi e simili possono comportare il rischio di lesioni, accensione o incendio.
- I contenitori metallici per alimenti e bevande non sono ammessi durante la cottura a microonde.
- L'apparecchio non deve essere pulito con un apparecchio a vapore.
- L'apparecchio è destinato a essere usato in modo indipendente.
- La superficie posteriore dell'apparecchio deve essere collocata contro una parete.

**LEGGERE ATTENTAMENTE E CONSERVARE
PER RIFERIMENTO FUTURO**

Per ridurre il rischio di lesioni alle persone impianto di messa a terra

⚠ PERICOLO

Rischio di scossa elettrica

Toccare alcuni dei componenti interni può causare gravi lesioni personali o la morte. Non smontare questo apparecchio.

⚠ AVVERTENZA

IT Rischio di scossa elettrica

L'uso improprio della messa a terra può provocare scosse elettriche. Non inserire la spina in una presa di corrente fino a quando l'apparecchio non è correttamente installato e messo a terra.

Questo apparecchio deve essere messo a terra. In caso di cortocircuito elettrico, la messa a terra riduce il rischio di scosse elettriche fornendo un filo di sicurezza per la corrente elettrica.

Questo apparecchio è dotato di un cavo con un filo di messa a terra dotato di una spina di messa a terra.

La spina deve essere inserita in una presa correttamente installata e messa a terra.

Consultare un elettricista qualificato o un manutentore se le istruzioni di messa a terra non sono completamente comprese o se esistono dubbi sulla corretta messa a terra dell'apparecchio.

Se è necessario utilizzare una prolunga (utilizzare solo una prolunga a 3 fili).

- Viene fornito un cavo di alimentazione corto per ridurre i rischi derivanti dall'impigliarsi o dall'inciampare in un cavo più lungo.

- Se viene usato un cavo lungo o una prolunga:
 - La potenza elettrica indicata sul set di cavi o sulla prolunga deve essere almeno pari alla potenza elettrica dell'apparecchio.
 - La prolunga deve essere del tipo a 3 fili con messa a terra.
 - Il cavo più lungo deve essere disposto in modo da non essere appoggiato sul piano di lavoro o sul tavolo, dove può essere tirato dai bambini o dove si può inciampare involontariamente.

UTENSILI

⚠ ATTENZIONE

È pericoloso per chiunque non sia una persona competente eseguire qualsiasi operazione di manutenzione o riparazione che comporti la rimozione di una copertura che protegga dall'esposizione alle microonde.

Vedere le istruzioni su "Materiali che si possono usare nel forno a microonde" o "Materiali che non si possono usare nel forno a microonde".

Ci possono essere alcuni utensili non metallici che non sono sicuri da usare per il microonde. In caso di dubbio, è possibile testare l'utensile in questione seguendo la procedura riportata di seguito.

Test dell'utensile:

- Riempire un contenitore per microonde con 1 tazza di acqua fredda (250 ml) insieme all'utensile in questione.
- Cuocere alla massima potenza per 1 minuto.
- Toccare attentamente l'utensile. Se l'utensile vuoto è caldo, non usarlo per la cottura a microonde.
- Non superare il tempo di cottura di 1 minuto.

Materiali che si possono usare nel forno a microonde

Utensili	Osservazioni
Piatto per rosolatura	Seguire le istruzioni del produttore. Il fondo del piatto per rosolatura deve essere almeno 3/16 pollici (5 mm) al di sopra del piatto girevole. Un uso scorretto può causare la rottura del piatto girevole.
Stoviglie	Adatto solo al microonde. Seguire le istruzioni del produttore. Non utilizzare piatti crepati o scheggiati.
Vasetti di vetro	Rimuovere sempre il coperchio. Usare solo per riscaldare il cibo fino a quando è appena tiepido. La maggior parte dei vasetti di vetro non è resistente al calore e può rompersi.
Oggetti di vetro	Solo oggetti di vetro per forno resistenti al calore. Assicurarsi che non ci siano finiture metalliche. Non usare stoviglie crepate o scheggiate.
Sacchetti per la cottura in forno	Seguire le istruzioni del produttore. Non chiudere con fascette di metallo. Fare delle fessure per permettere la fuoriuscita del vapore.
Piatti e bicchieri di carta	Usare solo per cotture/riscaldamenti di breve durata. Non lasciare il forno incustodito durante la cottura.
Tovaglioli di carta	Usare per coprire il cibo per il riscaldamento e l'assorbimento dei grassi. Usare sotto supervisione solo per una cottura a breve termine.
Carta da forno	Da usare come copertura per evitare schizzi o come involucri per la cottura a vapore.
Plastica	Adatto solo al microonde. Seguire le istruzioni del produttore. Dovrebbe avere l'etichetta "Adatto alle microonde". Alcuni contenitori di plastica si attorcigliano quando il cibo all'interno si scalda. I "sacchetti per l'ebollizione" e i sacchetti di plastica ben chiusi devono essere tagliati, forati o sfiatati come indicato dalla confezione.
Pellicola di plastica	Adatto solo al microonde. Usare per coprire il cibo durante la cottura per trattenere l'umidità. Non permettere che la pellicola di plastica tocchi il cibo.
Termometri	Solo per microonde (termometri per carne e dolci).
Carta cerata	Usare come copertura per evitare schizzi e trattenere l'umidità.

IT

Materiali che non si possono usare nel forno a microonde

Utensili	Osservazioni
Teglia in alluminio	Può causare archi elettrici. Trasferire il cibo in un piatto adatto alle microonde.
Cartone per alimenti con manico in metallo	Può causare archi elettrici. Trasferire il cibo in un piatto adatto alle microonde.
Utensili in metallo o con rifiniture in metallo	Il metallo protegge il cibo dall'energia delle microonde. Le finiture in metallo possono causare archi elettrici.
Fascette in metallo	Può causare archi elettrici e potrebbe causare un incendio nel forno.
Sacchetti di carta	Può causare un incendio nel forno.
Polistirolo	Il polistirolo può fondere o contaminare il liquido all'interno se esposto ad alta temperatura.
Legno	Il legno si asciuga se usato nel forno a microonde e può spaccarsi o rompersi.

SPECIFICHE

MODELLO	MM20CF2E/MM20CF2EBK
TENSIONE NOMINALE	230V- 50Hz
INGRESSO NOMINALE (MICROONDE)	1050W
USCITA NOMINALE (MICROONDE)	700W

PANORAMICA DEL PRODOTTO

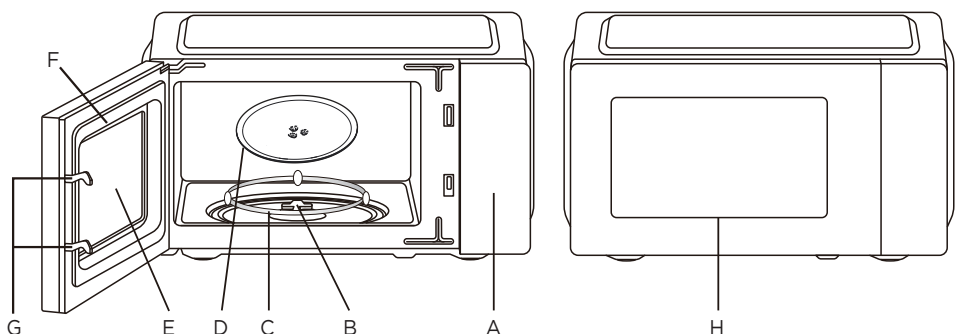
Nomi di parti e accessori del forno

In caso di differenze tra l'apparecchio e le immagini del presente manuale, prevale il prodotto.

Rimuovere il forno e tutti i materiali dalla scatola e dalla cavità del forno.

Il forno viene fornito con i seguenti accessori:

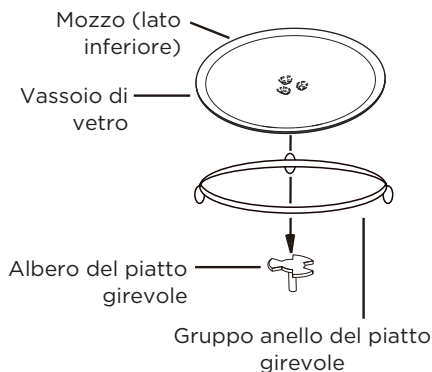
Vassoio di vetro	1
Anello del piatto girevole	1
Manuale d'istruzioni	1



- A) Pannello di controllo
- B) Albero del piatto girevole
- C) Anello del piatto girevole
- D) Vassoio di vetro

- E) Finestra di osservazione
- F) Gruppo porta
- G) Sistema di interblocco di sicurezza
- H) Porta

Installazione del piatto girevole



- a. Non collocare mai il vassoio di vetro al contrario. Il vassoio di vetro non deve mai essere bloccato.
- b. Il vassoio di vetro e l'anello girevole devono essere sempre utilizzati durante la cottura.
- c. Tutti gli alimenti e i contenitori di cibo devono essere sempre collocati sul vassoio di vetro per la cottura.
- d. Se il vassoio di vetro o l'anello del piatto girevole si crepano o si rompono, contattare il centro di assistenza autorizzato più vicino.

INSTALLAZIONE DEL PRODOTTO

Installazione del piano di lavoro

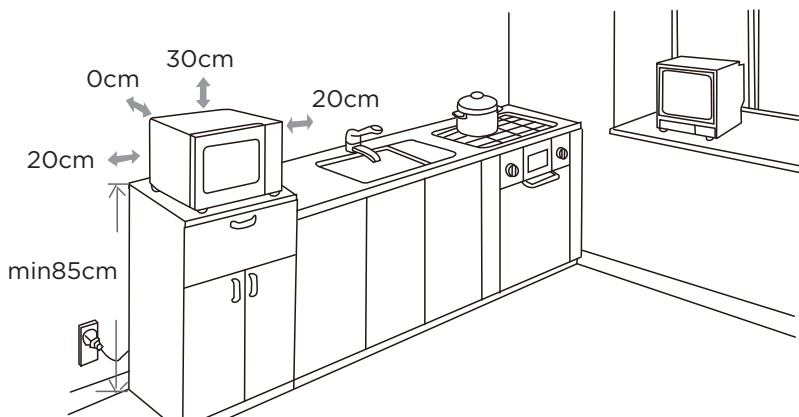
Rimuovere tutto il materiale di imballaggio e gli accessori. Esaminare il forno per verificare la presenza di eventuali danni, quali ammaccature o rottura dello sportello. Non installare il forno se è danneggiato.

Mobile: rimuovere la pellicola protettiva presente sulla superficie del mobile del forno a microonde.

Non rimuovere il coperchio della guida ondulata fissato alla cavità del forno per proteggere il magnetron.

Installazione

1. Selezionare una superficie piana che offra uno spazio aperto sufficiente per le prese d'aria di aspirazione e/o di scarico.



- L'altezza minima di installazione è di 85 cm.
 - La superficie posteriore dell'apparecchio deve essere appoggiata a una parete. Lasciare uno spazio minimo di 30 cm al di sopra del forno, mentre è necessario uno spazio minimo di 20 cm tra il forno e le pareti adiacenti.
 - Non rimuovere le gambe dal fondo del forno.
 - L'ostruzione delle aperture di aspirazione e/o di uscita può danneggiare il forno.
 - Posizionare il forno il più lontano possibile da radio e TV. Il funzionamento del forno a microonde può causare interferenze con la ricezione radio o televisiva.
2. Collegare il forno a una presa di corrente standard. Assicurarsi che la tensione e la frequenza siano uguali a quelle indicate sull'etichetta di identificazione.

⚠ AVVERTENZA

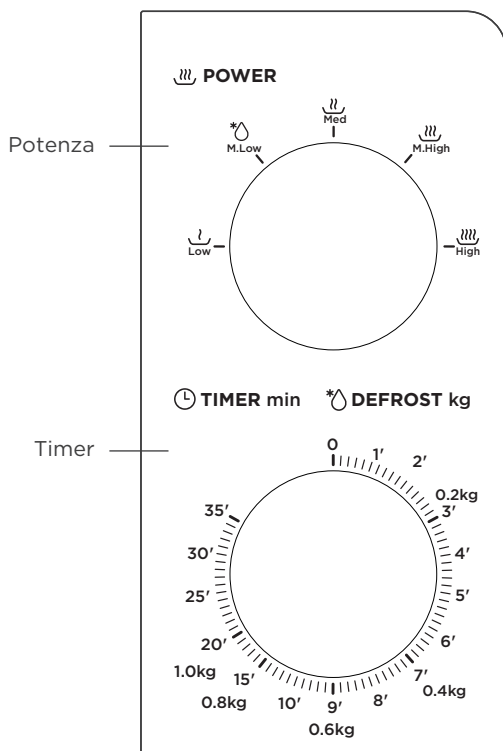
Non installare il forno sopra un piano di cottura o altri apparecchi che producono calore. Se installato vicino o sopra una fonte di calore, il forno potrebbe danneggiarsi e la garanzia decadere.

La superficie accessibile può essere calda durante il funzionamento.



ISTRUZIONI PER L'USO

Pannello di controllo e caratteristiche



1. Impostare la potenza di cottura ruotando la manopola di potenza al livello desiderato.
2. Impostare il tempo di cottura ruotando la manopola del timer sul tempo desiderato in base alla guida alla cottura dei cibi.
3. Il forno a microonde avvia automaticamente la cottura dopo aver impostato il livello di potenza e il tempo.
4. Al termine del tempo di cottura, l'apparecchio si arresta con un "Dong".
5. Se l'apparecchio non viene utilizzato, impostare sempre l'ora sulla posizione iniziale.

IT

Funzione/Potenza	Rendimento	Applicazione
Low	17% micro.	Ammorbidire il gelato
M.Low	33% micro.	Stufato in brodo, ammorbidire il burro o scongelare
Med	55% micro.	Stufato, pesce
M.High	77% micro.	Riso, pesce, pollo, carne macinata
High	100% micro.	Riscaldare, latte, ebollizione dell'acqua, verdure, bevande

NOTA Quando si rimuove il cibo dal forno, assicurarsi che l'alimentazione del forno sia disattivata portando l'interruttore del timer nella posizione iniziale. In caso contrario, il funzionamento del forno a microonde senza alimenti può provocare il surriscaldamento e il danneggiamento del magnetron.

PULIZIA E MANUTENZIONE

Assicurarsi di scollegare l'apparecchio dalla rete di alimentazione.

- Dopo l'uso, pulire la cavità del forno con un panno leggermente umido.
- Pulire gli accessori nel modo consueto con acqua e sapone.
- Il telaio e la guarnizione dello sportello e le parti vicine devono essere puliti accuratamente con un panno umido quando sono sporchi.
- Non utilizzare detergenti abrasivi o raschietti metallici affilati per pulire il vetro della porta del forno, poiché potrebbero graffiare la superficie e causare la rottura del vetro.
- Suggerimento per la pulizia: per facilitare la pulizia delle pareti della cavità che possono essere toccate dal cibo cotto:
Mettere mezzo limone in una ciotola, aggiungere 300 ml (1/2 pinta) di acqua e riscaldare al 100% della potenza del microonde per 10 minuti. Pulire il forno con un panno morbido e asciutto.


RISOLUZIONE DEI PROBLEMI

Normale	
Il forno a microonde interferisce con la ricezione TV	La ricezione radiotelevisiva può essere disturbata dal funzionamento del forno a microonde. Si tratta di un'interferenza simile a quella di piccoli elettrodomestici, come mixer, aspirapolvere e ventilatori elettrici. È normale.
Luce del forno scarsa	Durante la cottura a microonde a bassa potenza, la luce del forno può diventare fioca. È normale.
Vapore che si accumula sullo sportello, aria calda che esce dalle bocchette	Durante la cottura, il vapore può fuoriuscire dal cibo. La maggior parte uscirà dalle bocchette. Ma una parte può accumularsi in un luogo fresco come la porta del forno. È normale.
Il forno si è acceso accidentalmente senza alimenti.	È vietato far funzionare l'apparecchio senza che vi siano alimenti all'interno. È molto pericoloso.

IT

Problema	Possibile causa	Soluzione
Non è possibile avviare il forno.	• Il cavo di alimentazione non è inserito saldamente.	• Scollegare la spina. Ricollegarla dopo 10 secondi.
	• Il fusibile si è bruciato o l'interruttore non funziona.	• Sostituire il fusibile o ripristinare l'interruttore (riparato da personale professionale della nostra azienda)
	• Problemi con la presa di corrente.	• Testare la presa con altri apparecchi elettrici.
Il forno non si riscalda.	• La porta non è chiusa bene.	• Chiudere bene la porta.

MARCHI, DIRITTI D'AUTORE E DICHIARAZIONE LEGALE

 Midea logo, marchi denominativi, nome commerciale, immagine commerciale e tutte le loro versioni sono beni di valore di Midea Group e/o delle sue affiliate ("Midea"), a cui Midea possiede marchi, diritti d'autore e altri diritti di proprietà intellettuale, e tutto l'avviamento derivante dall'utilizzo di qualsiasi parte di un marchio Midea. L'uso del marchio Midea per scopi commerciali senza il previo consenso scritto di Midea può costituire violazione del marchio o concorrenza sleale in violazione delle leggi pertinenti.

IT

Questo manuale è creato da Midea e Midea si riserva tutti i diritti d'autore. Nessun ente o individuo può utilizzare, duplicare, modificare, distribuire in tutto o in parte il presente manuale, né abbinarlo o venderlo con altri prodotti senza il preventivo consenso scritto di Midea.

Tutte le funzioni e le istruzioni descritte erano aggiornate al momento della stampa del presente manuale. Tuttavia, il prodotto reale può variare a causa di funzioni e design migliorati.

SMALTIMENTO E RICICLO

Istruzioni importanti per l'ambiente

Conformità alla direttiva RAEE e smaltimento del prodotto Waster:

Questo prodotto è conforme alla direttiva EU 2012/19/EU. Questo prodotto reca un simbolo di classificazione per apparecchiature elettriche ed elettroniche di scarto (RAEE).

Questo simbolo indica che il prodotto non deve essere smaltito con altri rifiuti domestici alla fine della sua vita utile. Il dispositivo utilizzato deve essere restituito al punto di raccolta ufficiale per il riciclaggio dei dispositivi elettronici elettrici. Per trovare questi sistemi di raccolta, contattare le autorità locali o il rivenditore in cui è stato acquistato il prodotto. Ogni famiglia svolge un ruolo importante nel recupero e nel riciclaggio dei vecchi elettrodomestici. Lo smaltimento appropriato dell'apparecchio usato contribuisce a prevenire potenziali conseguenze negative per l'ambiente e la salute umana.



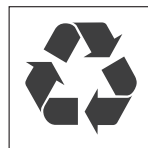
IT

Conformità alla direttiva RoHS

Il prodotto acquistato è conforme alla direttiva UE RoHS (2011/65/UE). Non contiene materiali nocivi e proibiti specificati nella direttiva.

Informazioni sull'imballaggio

I materiali di imballaggio del prodotto sono fabbricati con materiali riciclabili in conformità con le nostre normative nazionali sull'ambiente. Non smaltire i materiali di imballaggio insieme ai rifiuti domestici o di altro tipo. Portarli ai punti di raccolta del materiale di imballaggio designati dalle autorità locali.



TRATTAMENTO DEI DATI

Per l'erogazione dei servizi concordati con il cliente, accettiamo di rispettare senza restrizioni tutte le disposizioni della legge sulla protezione dei dati applicabile, in linea con i paesi concordati all'interno dei quali verranno forniti i servizi al cliente, nonché, ove applicabile, il Regolamento generale sulla protezione dei dati dell'UE (GDPR).

In generale, il trattamento dei dati avviene per adempiere ai nostri obblighi contrattuali con voi e per motivi di sicurezza del prodotto, per tutelare i vostri diritti in relazione a questioni di garanzia e di registrazione del prodotto. In alcuni casi, ma solo se è garantita un'adeguata protezione dei dati, i dati personali potrebbero essere trasferiti a destinatari situati al di fuori dello Spazio economico europeo.

IT

Ulteriori informazioni sono disponibili su richiesta. Puoi contattare il nostro Responsabile della protezione dei dati all'indirizzo **MideaDPO@midea.com**. Per esercitare i tuoi diritti, come il diritto di opporsi al trattamento dei tuoi dati personali per scopi di marketing diretto, ti preghiamo di contattarci tramite **MideaDPO@midea.com**. Per ulteriori informazioni, seguire il Codice QR.

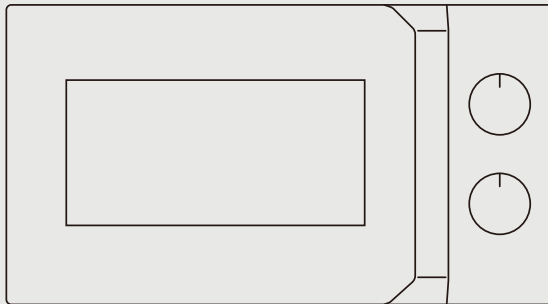


make yourself at home



www.midea.com

© Midea 2024 all rights reserved



HORNO DE MICROONDAS

MANUAL DE INSTRUCCIONES

**MM20CF2E
MM20CF2EBK**

Advertencia: Antes de utilizar este producto, lea atentamente este manual y consérvelo para futuras consultas. El diseño y las especificaciones están sujetos a cambios sin previo aviso con el fin de mejorar el producto. Consulte con su distribuidor o con el fabricante para obtener más información. El diagrama de arriba es sólo una referencia. Por favor, tome la apariencia del producto real como estándar.

AGRADECIMIENTOS

¡Gracias por elegir Midea! Antes de utilizar su nuevo dispositivo Midea, lea atentamente este manual para asegurarse de que sabe cómo manejar las características y funciones que le ofrece su nuevo electrodoméstico de forma segura.

CONTENIDO

AGRADECIMIENTOS	ES-01
INSTRUCCIONES DE SEGURIDAD	ES-02
ESPECIFICACIONES	ES-11
DESCRIPCIÓN DEL PRODUCTO	ES-12
INSTALACIÓN DEL PRODUCTO	ES-13
INSTRUCCIONES DE FUNCIONAMIENTO	ES-14
LIMPIEZA Y MANTENIMIENTO	ES-15
SOLUCIÓN DE PROBLEMAS	ES-16
MARCAS, DERECHOS DE AUTOR Y DECLARACIÓN LEGAL	ES-17
ELIMINACIÓN Y RECICLAJE	ES-18
AVISO SOBRE LA PROTECCIÓN DE DATOS	ES-19

ES

INSTRUCCIONES DE SEGURIDAD

Uso Adecuado

Las siguientes directrices de seguridad tienen por objeto evitar riesgos imprevistos o daños derivados de un funcionamiento inseguro o incorrecto del dispositivo. Compruebe el embalaje y el aparato a su llegada para asegurarse de que todo está intacto para garantizar un funcionamiento seguro. Si encuentra algún daño, póngase en contacto con el vendedor o distribuidor. Por favor, tenga en cuenta que las modificaciones o alteraciones en el aparato no están permitidas por su seguridad. El uso inadecuado puede causar peligros y la pérdida de los derechos de garantía.

Simbología

ES



Peligro

Este símbolo indica que existe peligro para la vida y la salud de las personas debido a la existencia de gas extremadamente inflamable.



Advertencia de tensión eléctrica

Este símbolo indica que existe un peligro para la vida y la salud de las personas debido a la tensión.



Advertencia

Este símbolo representa un peligro con un nivel de riesgo medio que, si no se evita, puede provocar la muerte o lesiones graves.



Precaución

Este símbolo indica un peligro con un grado de riesgo bajo que, si no se evita, puede provocar lesiones leves o moderadas.



Atención

Este símbolo indica información importante (por ejemplo, daños materiales), pero no peligro.



Respetar las instrucciones

Este símbolo indica que un técnico de servicio sólo debe operar y mantener este aparato de acuerdo con las instrucciones de funcionamiento.

Lea atentamente este manual de instrucciones antes de utilizar/poner en marcha el dispositivo y guárdelo en las inmediaciones del lugar de instalación o del dispositivo para su uso posterior.

Precauciones Para Evitar Posible Exposición A Energía Excesiva De Microondas

- a. Utilizar este horno con la puerta abierta puede resultar en una exposición dañina a la energía de microondas. Es importante no romper ni alterar los enclavamientos de seguridad.
- b. No coloque ningún objeto entre la cara frontal del horno y la puerta ni permita que se acumule suciedad o residuos de limpiadores en las superficies de sellado.
- c. **ADVERTENCIA:** Si la puerta o las juntas de la puerta están dañadas, el horno no debe utilizarse hasta que haya sido reparado por una persona competente.

ES

Apéndice

Si el aparato no se mantiene en buen estado de limpieza, su superficie podría degradarse, afectando la vida útil del aparato, y conducir a una situación peligrosa.

Instrucciones De Seguridad Importantes

⚠ ADVERTENCIA

Para reducir el riesgo de incendio, descarga eléctrica, lesiones a personas o exposición a la energía excesiva del horno de microondas al usar su electrodoméstico, siga las precauciones básicas, incluidas las siguientes:

- Lea y siga lo específico: «PRECAUCIONES PARA EVITAR UNA POSIBLE EXPOSICIÓN A ENERGÍA DE MICROONDAS EXCESIVA»
- Este dispositivo no está diseñado para ser utilizado por personas (incluyendo a niños) con capacidades físicas, sensoriales o mentales disminuidas, o con falta de experiencia y conocimiento, a menos que hayan sido supervisados o instruidos sobre su uso por una persona responsable de su seguridad.
- Los niños deben ser supervisados para asegurarse de que no jueguen con el aparato.
- Si el cable de alimentación está dañado, debe ser reemplazado por el fabricante, su agente de servicio o por personal cualificado con el fin de evitar riesgos.
- ADVERTENCIA: Asegúrese de que el aparato esté apagado antes de reemplazar la lámpara para evitar la posibilidad de una descarga eléctrica.
- ADVERTENCIA: Es peligroso para cualquier persona que no sea una persona competente realizar cualquier operación de servicio o reparación que implique la extracción de una cubierta que brinda protección contra la exposición a la energía de microondas.
- ADVERTENCIA: Los líquidos y otros alimentos no deben calentarse en recipientes sellados, ya que pueden explotar.

ES

- Al calentar alimentos en recipientes de plástico o papel, vigile el horno debido a la posibilidad de ignición.
- Utilice únicamente utensilios que sean adecuados para su uso en hornos microondas.
- Si sale humo, apague o desenchufe el aparato y mantenga la puerta cerrada para sofocar las llamas.
- El calentamiento de bebidas con microondas puede provocar una ebullición eruptiva retardada, por lo que se debe tener cuidado al manipular el recipiente.
- Se agitará o removerá el contenido de los biberones y los frascos de comida para bebés y se controlará la temperatura antes de consumirlos para evitar quemaduras.
- Los huevos con cáscara y los huevos duros enteros no deben calentarse en hornos de microondas, ya que pueden explotar, incluso después de que finalice el calentamiento por microondas.
- El horno debe limpiarse con regularidad y eliminar los restos de comida.
- El no mantener el horno en condiciones limpias podría provocar el deterioro de la superficie, que podría afectar negativamente la vida útil del aparato y posiblemente resultar en una situación peligrosa.
- El aparato no debe instalarse detrás de una puerta decorativa para evitar el sobrecalentamiento. (Esto no se aplica a los electrodomésticos con puerta decorativa).
- Utilice únicamente la sonda de temperatura recomendada para este horno. (para hornos provistos de una instalación para usar una sonda sensible a la temperatura).

- El horno de microondas no debe colocarse en un armario a menos que haya sido probado en un armario.
- El horno microondas debe funcionar con la puerta decorativa abierta. (para hornos con puerta decorativa).
- Este aparato está diseñado para ser utilizado en aplicaciones domésticas y similares, tales como:
 - áreas de cocina para el personal en tiendas, oficinas y otros entornos de trabajo;
 - por clientes en hoteles, moteles y otros entornos de tipo residencial;
 - casas de campo;
 - ambientes tipo alojamiento y desayuno.
- El horno microondas está diseñado para calentar alimentos y bebidas. El secado de alimentos o ropa y el calentamiento de almohadillas térmicas, pantuflas, esponjas, trapos húmedos y similares pueden provocar riesgo de lesiones, ignición o incendio.
- No se permiten recipientes metálicos para alimentos y bebidas durante la cocción en microondas.
- El aparato no debe limpiarse con un limpiador a vapor.
- El aparato está diseñado para ser utilizado de forma independiente.
- La superficie trasera de los electrodomésticos se colocará contra una pared.

**LEA ATENTAMENTE Y GUARDE PARA
FUTURAS REFERENCIAS**

Para Reducir El Riesgo De Lesiones A Las Personas Instalacion Con Puesta A Tierra

⚠ PELIGRO

Peligro de descarga eléctrica

Tocar algunos de los componentes internos puede causar lesiones personales graves o la muerte. No desarme este aparato.

⚠ ADVERTENCIA

Peligro de descarga eléctrica

El uso inadecuado de la conexión a tierra puede provocar una descarga eléctrica. No lo enchufe a una toma de corriente hasta que el electrodoméstico esté correctamente instalado y conectado a tierra. Este aparato debe estar conectado a tierra. En caso de un cortocircuito eléctrico, la conexión a tierra reduce el riesgo de descarga eléctrica al proporcionar un cable de escape para la corriente eléctrica.

Este aparato está equipado con un cable que tiene un cable de conexión a tierra con un enchufe de conexión a tierra. El enchufe debe estar conectado a una toma de corriente que esté correctamente instalada y conectada a tierra.

Consulte a un electricista o técnico calificado si las instrucciones de conexión a tierra no se comprenden completamente o si existen dudas sobre si el aparato está conectado a tierra correctamente.

Si es necesario usar un cable de extensión, use solo un cable de extensión de trifilar.

- Se proporciona un cable de alimentación corto para reducir los riesgos de enredarse o tropezarse con un cable más largo.
- Si se usa un cable largo o un cable de extensión:
 - La clasificación eléctrica marcada del juego de cables o del cable de extensión debe ser al menos tan buena como la clasificación eléctrica del aparato.
 - El cable de extensión debe ser un cable trifilar con conexión a tierra.
 - El cable más largo debe colocarse de manera que no cuelgue sobre la encimera o la mesa, donde los niños puedan tirar de él o tropezar sin querer.

ES

Utensilios

PRECAUCIÓN

Es peligroso para cualquier persona que no sea una persona competente realizar cualquier operación de servicio o reparación que implique la extracción de una cubierta que brinda protección contra la exposición a la energía de microondas.

Consulte las instrucciones sobre «Materiales que puede usar en el horno de microondas» o «Materiales no se pueden usar en el horno de microondas».

Puede haber ciertos utensilios no metálicos que no son seguros para usar en el microondas. En caso de duda, puede probar el utensilio en cuestión siguiendo el procedimiento a continuación.

ES

Prueba De Utensilios:

- Llene un recipiente apto para microondas con 1 taza de agua fría (250 ml) junto con el utensilio en cuestión.
- Cocine a máxima potencia durante 1 min.
- Utilice con cuidado el utensilio. Si el utensilio vacío está tibio, no lo use para cocinar en el microondas.
- No exceda el tiempo de cocción de 1 min.

Materiales que puede utilizar en el horno microondas

Utensilios	Observaciones
Plato para dorar	Siga las instrucciones del fabricante. El fondo del plato para dorar debe estar al menos 3/16 de pulgada (5 mm) por encima del plato giratorio. El uso incorrecto puede hacer que el plato giratorio se rompa.
Vajilla	Solo apto para microondas. Siga las instrucciones del fabricante. No use platos rotos o astillados.
Jarras de vidrio	Retire siempre la tapa. Úselo solo para calentar alimentos hasta que estén tibios. La mayoría de los frascos de vidrio no son resistentes al calor y pueden romperse.
Cristalería	Solo cristalería para horno resistente al calor. Asegúrese de que no haya molduras metálicas. No use platos rotos o astillados.
Bolsas para cocinar al horno	Siga las instrucciones del fabricante. No cierre con amarre de metal. Haga ranuras para permitir que salga el vapor.
Platos y vasos de papel	Úselo solo para cocinar/calentar a corto plazo. No deje el horno desatendido mientras cocina.
Toallas de papel	Úselas para cubrir alimentos para recalentar y absorber grasa. Úselas con supervisión solo para una cocción a corto plazo.
Papel sulfurizado	Úselo como cubierta para evitar salpicaduras o como envoltorio para cocinar al vapor.
Plástico	Solo apto para microondas. Siga las instrucciones del fabricante. Debe estar etiquetado como «apto para microondas». Algunos recipientes de plástico se ablandan a medida que los alimentos que están dentro se calientan. Las «bolsas para hervir» y las bolsas de plástico bien cerradas deben cortarse, perforarse o ventilarse según las instrucciones del paquete.
Envoltura de plástico	Solo apto para microondas. Úsela para cubrir los alimentos durante la cocción para retener la humedad. No permita que la envoltura de plástico entre en contacto con los alimentos.
Termómetros	Solo apto para microondas (termómetros para carnes y dulces).
Papel encerado	Utilícelo como cubierta para evitar salpicaduras y retener humedad.

Los materiales no pueden utilizarse en el horno microondas

Utensilios	Observaciones
Bandeja de aluminio	Puede causar arcos eléctricos. Transfiera la comida a un plato apto para microondas.
Cartón para comida con asa de metal	Puede causar arcos eléctricos. Transfiera la comida a un plato apto para microondas.
Utensilios de metal o con adornos de metal	El metal protege los alimentos de la energía de microondas. Los adornos de metal pueden provocar arcos eléctricos.
Lazos de torsión de metal	Pueden causar arcos eléctricos y podría provocar un incendio en el horno.
Bolsas de papel	Puede provocar un incendio en el horno.
Espuma plástica	La espuma plástica puede derretir o contaminar el líquido del interior cuando se expone a altas temperaturas.
Madera	La madera se secará cuando se use en el horno microondas y puede partirse o rajarse.

ESPECIFICACIONES

MODELO	MM20CF2E/MM20CF2EBK
VOLTAJE NOMINAL	230V- 50Hz
POTENCIA DE ENTRADA NOMINAL (MICROONDAS)	1050W
POTRNCIA DE SALIDA NOMINAL (MICROONDAS)	700W

ES

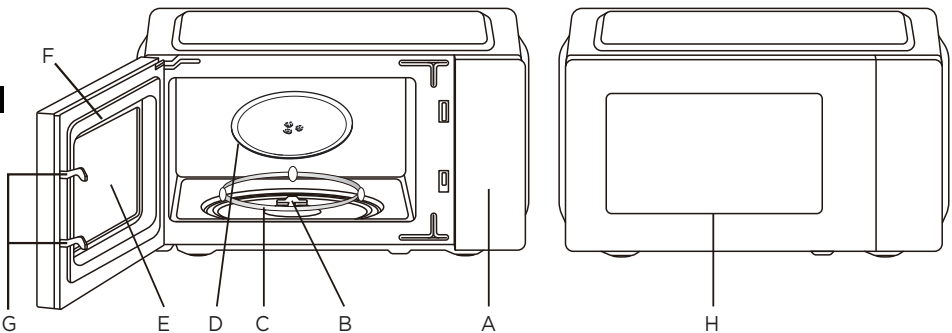
DESCRIPCIÓN DEL PRODUCTO

Nombres de las partes del horno y accesorios

En caso de diferencias entre el aparato y las imágenes de este manual, prevalecerá el producto.

Retire el horno y todos los materiales de la caja de cartón y de la cavidad del horno. Su horno posee los siguientes accesorios:

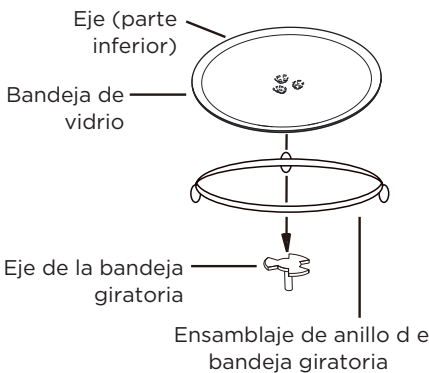
Bandeja de vidrio	1
Ensamblaje de anillo de bandeja giratoria	1
Manual de instrucciones	1



- A) Panel de control
- B) Eje giratorio
- C) Soporte del plato giratorio
- D) Bandeja de vidrio

- E) Ventana de observación
- F) Puerta
- G) Sistema de bloqueo de seguridad
- H) Puerta

Instalación de la bandeja giratoria



- a. Nunca coloque la bandeja de vidrio al revés. La bandeja de vidrio nunca debe tener restricciones que la imposibiliten de girar.
- b. Tanto la bandeja de vidrio como el ensamblaje del anillo de la misma deben usarse a la hora de cocinar.
- c. Toda la comida y los contenedores de comida deben colocarse sobre la bandeja de vidrio para cocinar o calentar.
- d. Si la bandeja de vidrio o el ensamblaje del anillo de la misma se triza o rompe, contacte al centro de servicio técnico autorizado más cercano.

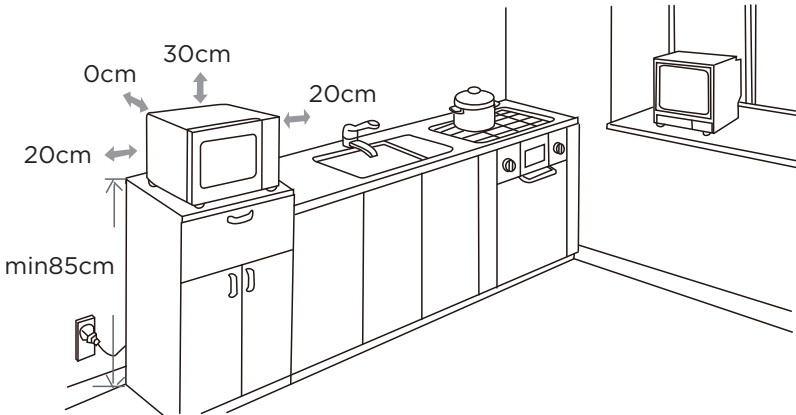
INSTALACIÓN DEL PRODUCTO

Instalación de encimeras

Retire todo el material de embalaje y los accesorios. Revise el horno en busca de daños, como abolladuras o la puerta rota. No instale el horno si presenta daños. Gabinete: Retire cualquier película protectora que se encuentre en la superficie del gabinete del horno de microondas. No retire la cubierta de la guía de ondas que está fijada a la cavidad del horno para proteger el magnetrón.

Instalación

1. Seleccione una superficie nivelada que proporcione espacio suficiente para las ranuras de ventilación de entrada y salida del aparato.



ES

- La altura mínima de instalación es de 85 cm.
- La parte trasera del aparato debe colocarse contra una pared. Deje un espacio libre mínimo de 30cm por encima del horno, se requiere un espacio libre mínimo de 20cm entre el horno y cualquier pared adyacente.
- No retire las patas de la parte inferior del horno.
- El bloqueo de las aberturas de entrada y/o salida puede dañar el horno.
- Coloque el horno lo más lejos posible de radios y TV. El funcionamiento del horno microondas puede causar interferencias en la recepción de su radio o TV.

2. Conecte su horno en un tomacorriente casero estándar. Asegúrese de que el voltaje y la frecuencia sean las mismas que aparecen en la etiqueta de clasificación del horno.

⚠ ADVERTENCIA

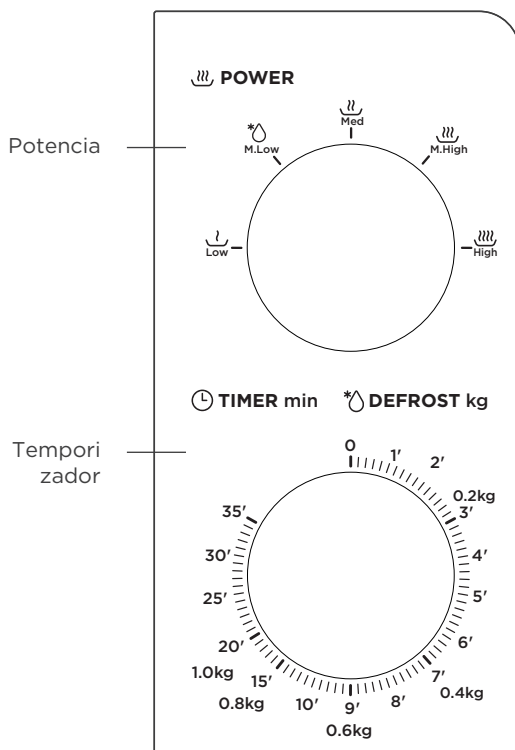
No coloque el horno sobre una estufa o parrillas u otros aparatos productores de calor. Si instala el horno cerca o sobre una fuente de calor, podría dañarlo y la garantía quedaría inválida.

Las superficies accesibles pueden calentarse durante el funcionamiento.



INSTRUCCIONES DE FUNCIONAMIENTO

Panel de control y funciones



1. Para ajustar la potencia de cocción, gire el mando de potencia hasta el nivel deseado.
2. Para ajustar el tiempo de cocción, gire el mando del temporizador hasta el tiempo deseado según la guía de cocción de su alimento.
3. El horno de microondas iniciará automáticamente la cocción una vez ajustados el nivel de potencia y el tiempo.
4. Cuando finalice el tiempo de cocción, el aparato emitirá un sonido y se detendrá.
5. Si la unidad no está en uso, ajuste siempre el tiempo en la posición inicial.

Función/Potencia	Salida	Uso
Low	17% micro.	Ablandar helado
M.Low	33% micro.	Guiso de sopa, ablandar la mantequilla o descongelar
Med	55% micro.	Estofado, pescado
M.High	77% micro.	rroz, pescado, pollo, carne molida
High	100% micro.	Recalentar, leche, hervir agua, verduras, bebida

NOTA Al retirar los alimentos del horno, asegúrese de que esté desconectado girando el interruptor del temporizador a la posición inicial. En caso contrario, y si el horno microondas funciona sin alimentos en su interior, puede producirse un sobrecalentamiento y daños en el magnetrón.

LIMPIEZA Y MANTENIMIENTO

Asegúrese de desenchufar el aparato de la red eléctrica.

- Limpie la cavidad del horno después de usar con un paño ligeramente húmedo.
- Limpie los accesorios de la manera habitual con agua y jabón.
- El marco de la puerta y el sello y partes vecinas deben limpiarse cuidadosamente con un paño húmedo cuando estén sucias.
- No use limpiadores abrasivos ni rascadores metálicos afilados para limpiar el cristal de la puerta del horno, ya que pueden rayar la superficie, lo que puede provocar la rotura del vidrio.
- Sugerencia de limpieza --- Para facilitar la limpieza de las paredes internas que la comida cocinada puede tocar: coloque la mitad de un limón en un bol, añada 300 ml (1/2 pinta) de agua y caliente al 100 % de potencia en el microondas durante 10 minutos. Limpie el horno con un paño suave y seco.

SOLUCIÓN DE PROBLEMAS


Normal

El horno de microondas provoca interferencia con la recepción de la TV	La recepción de radio y televisión podría ser interferida por el funcionamiento del horno microondas. Esta interferencia es similar a aquella que producen pequeños electrodomésticos como batidoras, aspiradoras y ventiladores eléctricos. Esto es normal.
Luz del horno con baja intensidad	Cuando cocine con baja potencia la luz del horno podría perder intensidad. Esto es normal.
Se acumula vapor en la puerta y sale aire caliente por las ranuras de ventilación.	Cuando cocine la comida puede emitir vapor. La mayoría saldrá por las ranuras de ventilación. Pero se podría acumular en un lugar frío como la puerta del horno. Esto es normal.
El horno se inicia accidentalmente sin comida en el interior.	Está prohibido hacer funcionar esta unidad sin comida en su interior. Esto es peligroso.

ES

Problema	Posible causa	Solución
El horno no puede iniciarse	<ul style="list-style-type: none"> • El cable de alimentación no está bien conectado. 	<ul style="list-style-type: none"> • Desconecte el cable. Reconéctelo después de 10 segundos.
	<ul style="list-style-type: none"> • Falla de los fusibles o del sistema del cortacircuitos. 	<ul style="list-style-type: none"> • Remplace el fusible o haga que un profesional repare el cortacircuitos.
	<ul style="list-style-type: none"> • Problema con el tomacorriente. 	<ul style="list-style-type: none"> • Verifique el normal funcionamiento del tomacorriente con otros electrodomésticos.
El horno no calienta	<ul style="list-style-type: none"> • La puerta no cerró bien. 	<ul style="list-style-type: none"> • Cierre bien la puerta del horno.

MARCAS, DERECHOS DE AUTOR Y DECLARACIÓN LEGAL

El logotipo de  Midea, las marcas denominativas, el nombre comercial, la imagen comercial y todas las versiones de los mismos son activos valiosos del Grupo Midea y/o sus asociados ("Midea"), de los que Midea es titular de marcas comerciales, derechos de autor y otros derechos de propiedad intelectual, así como de todo el fondo de comercio derivado del uso de cualquier parte de una marca comercial de Midea. El uso de la marca Midea con fines comerciales sin el consentimiento previo por escrito de Midea puede constituir una infracción de la marca o de la competencia desleal en violación de las leyes pertinentes.

Este manual ha sido creado por Midea y Midea se reserva todos los derechos de autor del mismo. Ninguna entidad o individuo puede utilizar, duplicar, modificar, distribuir en todo o en parte este manual, ni agrupar o vender con otros productos sin el consentimiento previo por escrito de Midea.

ES

Todas las funciones e instrucciones descritas estaban actualizadas en el momento de imprimir este manual. Sin embargo, el producto real puede variar debido a la mejora de sus funciones y diseños.

ELIMINACIÓN Y RECICLAJE

Instrucciones importantes para la Protección del Medio Ambiente

Cumplimiento de la normativa RAEE y eliminación del producto de desecho: Este producto cumple con la normativa RAEE de la UE (2012/19/UE). Este producto lleva el símbolo de clasificación de residuos de aparatos eléctricos y electrónicos (RAEE).

Este símbolo indica que este producto no debe eliminarse con otros residuos domésticos al final de su vida útil. El aparato usado debe ser devuelto a un punto de recogida oficial para el reciclaje de aparatos eléctricos y electrónicos. Para encontrar estos sistemas de recogida, póngase en contacto con las autoridades locales o con el distribuidor donde compró el producto. Cada hogar desempeña un papel importante en la recuperación y el reciclaje de los aparatos viejos. La eliminación adecuada de los electrodomésticos usados ayuda a evitar posibles consecuencias negativas para el medio ambiente y la salud humana.



ES

Cumplimiento de la Normativa RoHS

El producto que ha adquirido cumple con la normativa RoHS de la UE (2011/65/UE). No contiene materiales nocivos ni prohibidos especificados en la misma.

Información del Embalaje

Los materiales de embalaje del producto están fabricados con materiales reciclables de acuerdo con nuestra normativa nacional de medio ambiente. No elimine los materiales de embalaje junto con los residuos domésticos o de otro tipo. Llévelos a los puntos de recogida de materiales de embalaje designados por las autoridades locales.



AVISO SOBRE LA PROTECCIÓN DE DATOS

Para la prestación de los servicios acordados con el cliente, nos comprometemos a cumplir sin restricciones todas las estipulaciones de la legislación aplicable en materia de protección de datos, en consonancia con los países acordados en los que se prestarán los servicios al cliente, así como, en su caso, el Reglamento General de Protección de Datos de la UE (GDPR).

Por lo general, nuestro tratamiento de datos tiene por objeto cumplir nuestra obligación contractual con usted y, por razones de seguridad del producto, salvaguardar sus derechos en relación con la garantía y las cuestiones de registro del producto. En algunos casos, pero sólo si se garantiza una protección adecuada de los datos, los datos personales podrían transferirse a destinatarios situados fuera del Espacio Económico Europeo.

Puede solicitar más información al respecto. Puede ponerse en contacto con nuestro encargado de la protección de datos a través de **MideaDPO@midea.com**. Para ejercer sus derechos, como el de oponerse al tratamiento de sus datos personales con fines de marketing directo, póngase en contacto con nosotros a través de **MideaDPO@midea.com**. Para obtener más información, siga el código QR.

ES

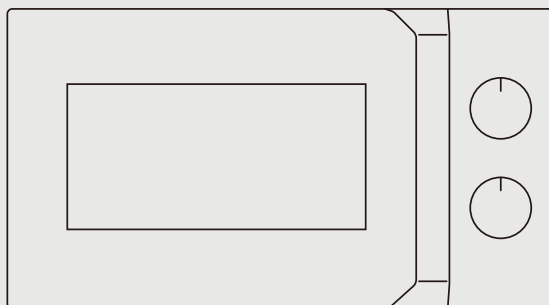


make yourself at home



www.midea.com

© Midea 2024 all rights reserved



KUCHENKA MIKROFALOWA

INSTRUKCJA UŻYTKOWNIKA

MM20CF2E
MM20CF2EBK

Ostrzeżenia: Przed użyciem produktu, prosimy o dokładne przeczytanie tej instrukcji i zachowanie jej na przyszłość. Konstrukcja oraz specyfikacja techniczna podlegają zmianom, w ramach ulepszania produktu, bez uprzedzenia. Więcej szczegółów na ten temat można uzyskać u sprzedawcy lub producenta.

Powyższy schemat ma tylko znaczenie informacyjne. Jako standard prosimy traktować rzeczywisty wygląd Państwa produktu.

PODZIĘKOWANIE

Dziękujemy za wybranie Midea! Przed użyciem nowego produktu Midea, prosimy o staranne przeczytanie niniejszej instrukcji, tak by mieć pewność, że można bezpiecznie korzystać z zalet i funkcji tego urządzenia.

SPIS TREŚCI

PODZIĘKOWANIE	-----	PL-01
INSTRUKCJA BEZPIECZEŃSTWA	-----	PL-02
SPECYFIKACJA	-----	PL-11
OPIS PRODUKTU	-----	PL-12
INSTALACJA PRODUKTU	-----	PL-13
INSTRUKCJE DOTYCZĄCE OBSŁUGI	-----	PL-14
CZYSZCZENIE I KONSERWACJA	-----	PL-15
ROZWIĄZYWANIE PROBLEMÓW	-----	PL-16
ZNAKI HANDLOWE, PRAWA AUTORSKIE I OŚWIADCZENIE PRAWNE	---	PL-17
UTYLIZACJA I RECYKLING	-----	PL-18
NOTA WS. OCHRONY DANYCH OSOBOWYCH	-----	PL-19

INSTRUKCJA BEZPIECZEŃSTWA

Użytkowanie zgodne z przeznaczeniem

Celem niniejszej instrukcji obsługi jest zapobieżenie nieprzewidzianemu ryzyku lub uszkodzeniu urządzenia w efekcie jego niebezpiecznego albo nieprawidłowego użytkowania. Prosimy o sprawdzenie czy otrzymane opakowanie i urządzenie jest w nietkniętym stanie, by mieć pewność bezpiecznej eksploatacji urządzenia. W przypadku stwierdzenia uszkodzeń, prosimy skontaktować się ze sprzedawcą lub dystrybutorem urządzenia. Ze względów bezpieczeństwa zabrania się dokonywania modyfikacji lub zmian na urządzeniu. Użycie niezgodne z przeznaczeniem może doprowadzić do powstania zagrożenia oraz utraty prawa do dochodzenia roszczeń gwarancyjnych.

Objaśnienie symboli



Niebezpieczeństwo

Symbol ten oznacza zagrożenie życia i zdrowia ze względu na łatwopalny gaz.



Ostrzeżenie o napięciu elektrycznym

Symbol ten oznacza zagrożenie życia i zdrowia ze względu na napięcie elektryczne.



Ostrzeżenie

Ten zwrot ostrzegawczy wskazuje na ryzyko średniego stopnia, którego jeśli się nie uniknie, to może doprowadzić do śmierci lub poważnych obrażeń ciała.



Ostrożność

Ten zwrot ostrzegawczy wskazuje na ryzyko niskiego stopnia, którego jeśli się nie uniknie, to może doprowadzić do mniejszych lub średnich obrażeń ciała.



Uwaga

Ten zwrot ostrzegawczy wskazuje na ważne informacje techniczne (np. straty materialne), ale nie zagrożenie.



Polecenia dot. przestrzegania

Ten symbol oznacza, że tylko serwisant może obsługiwać i konserwować to urządzenie, zgodnie z instrukcją obsługi.

Prosimy o rozważne i dokładne przeczytanie niniejszej instrukcji obsługi przed użyciem/uruchomieniem urządzenia oraz przechowanie jej w pobliżu miejsca instalacji lub samego urządzenia, w celu późniejszego wykorzystania!

Środki ostrożności w celu uniknięcia możliwego narażenia na nadmierną energię mikrofalową

- a. Nie podejmować prób obsługi kuchenki mikrofalowej przy otwartych drzwiczkach, ponieważ działanie takie może skutkować narażeniem się na szkodliwe działanie mikrofal. Nie odblokowywać również zamka zabezpieczającego ani nie manipulować przy nim.
- b. Nie umieszczać żadnych przedmiotów pomiędzy czołową powierzchnią kuchenki a drzwiczkami, jak również nie dopuszczać do gromadzenia się brudu lub pozostałości środka czyszczącego na powierzchniach uszczelniających.
- c. **OSTRZEŻENIE:** W przypadku uszkodzenia drzwiczek lub ich uszczelek, kuchenki nie można używać do momentu, aż zostanie naprawiona przez uprawnioną do tego osobę.

PL

Informacje dodatkowe

Jeżeli urządzenie nie będzie utrzymywane w odpowiedniej czystości, jego powierzchnia może ulec uszkodzeniu, co wpłynie na jego żywotność i może prowadzić do niebezpiecznych sytuacji.

Ważne instrukcje dotyczące bezpieczeństwa

▲ OSTRZEŻENIE

W celu zmniejszenia ryzyka pożaru, porażenia prądem, obrażeń ciała lub narażenia na nadmierną energię kuchenki mikrofalowej podczas korzystania z urządzenia należy przestrzegać podstawowych środków ostrożności, w tym następujących:

- Przeczytać i postępować zgodnie z rozdziałem: „ŚRODKI OSTROŻNOŚCI W CELU UNIKNIĘCIA MOŻLIWEGO NARAŻENIA NA NADMIERNĄ ENERGIĘ MIKROFALOWĄ”.
- Urządzenie nie jest przeznaczone do obsługi przez osoby (również dzieci) o ograniczonych zdolnościach fizycznych, sensorycznych i psychicznych oraz z niewystarczającą wiedzą i doświadczeniem, chyba że znajdują się one pod nadzorem lub zostały przeszkolone w zakresie użytkowania urządzenia przez osobę odpowiedzialną za ich bezpieczeństwo.
- Należy dopilnować, aby dzieci nie bawiły się urządzeniem.
- Ze względów bezpieczeństwa uszkodzony przewód zasilający musi zostać wymieniony przez producenta, jego przedstawiciela lub podobnie wykwalifikowane osoby.
- **OSTRZEŻENIE:** Przed wymianą żarówki należy upewnić się, że urządzenie jest odłączone od zasilania, aby uniknąć ewentualnego porażenia prądem.
- **OSTRZEŻENIE:** Niebezpieczne jest wykonywanie jakichkolwiek czynności serwisowych lub naprawczych, które wymagają zdemontowania osłony chroniącej przed narażeniem na działanie energii mikrofalowej.
- **OSTRZEŻENIE:** Ciecze ani inne produkty spożywcze nie mogą być podgrzewane w zamkniętych pojemnikach, ponieważ może to spowodować ich wybuch.
- Podczas podgrzewania żywności w plastikowych lub papierowych pojemnikach należy obserwować kuchenkę ze względu na możliwość zapłonu.

- Używać wyłącznie naczyń kuchennych odpowiednich do stosowania w kuchenkach mikrofalowych
- W przypadku wydzielania dymu należy wyłączyć urządzenie lub wyjąć wtyczkę z gniazdka i nie otwierać drzwiczek, aby stłumić płomień.
- Podgrzewanie napojów w kuchenke mikrofalowej może prowadzić do opóźnionego gwałtownego wrzenia, dlatego obchodząc się z pojemnikiem należy zachować ostrożność.
- Zawartość butelek do karmienia i słoiczków z jedzeniem dla niemowląt należy wymieszać lub wstrząsnąć, a temperaturę sprawdzić przed spożyciem, aby uniknąć poparzeń.
- W kuchenkach mikrofalowych nie powinno się podgrzewać jajek w skorupkach i całych jajek na twardo, ponieważ mogą eksplodować nawet po zakończeniu podgrzewania w kuchenke.
- Kuchenka musi być regularnie czyszczona, a wszelkie osady żywności usuwane.
- Nieutrzymywanie kuchenki w czystości może doprowadzić do pogorszenia stanu jej powierzchni, co może niekorzystnie wpłynąć na żywotność urządzenia oraz doprowadzić do niebezpiecznej sytuacji.
- W celu uniknięcia przegrzania urządzenia nie należy umieszczać za dekoracyjnymi drzwiczkami. (Nie dotyczy urządzeń z drzwiczkami dekoracyjnymi.)
- Używać wyłącznie sondy temperaturowej zalecanej dla tej kuchenki (dotyczy kuchenek wyposażonych w opcję użytkowania sondy.)
- Kuchenka mikrofalowa nie powinna być umieszczana w szafce, chyba że została w niej przetestowana.
- Kuchenkę mikrofalową należy eksploatować przy otwartych drzwiczkach dekoracyjnych (dotyczy kuchenek wyposażonych w drzwiczki dekoracyjne).

- Niniejsze urządzenie jest przeznaczone do użytku domowego oraz do podobnych zastosowań, takich jak:
 - kuchnie w obiektach sklepowych, biurowych oraz innych placówkach pracowniczych
 - dla klientów w hotelach, motelach i innych obiektach mieszkalnych
 - gospodarstwa agroturystyczne
 - pensjonaty typu „bed and breakfast”.
- Kuchenka mikrofalowa jest przeznaczona do podgrzewania żywności i napojów. Suszenie żywności lub odzieży oraz podgrzewanie podkładek grzewczych, kapci, gąbek, wilgotnych szmatek itp. może prowadzić do ryzyka obrażeń, zapłonu lub pożaru.
- Podczas gotowania w kuchence mikrofalowej nie zezwala się na używanie metalowych pojemników do żywności i napojów.
- Urządzenia nie powinno się czyścić za pomocą myjki parowej.
- Urządzenie jest przeznaczone do użytkowania jako wolnostojące.
- Tylna powierzchnia urządzeń powinna być umieszczona przy ścianie.

PL

**PROSIMY O UWAŻNE PRZECZYTANIE POWYŻSZYCH
WSKAZÓWEK I ZACHOWANIE ICH NA PRZYSZŁOŚĆ!**

Informacje dotyczące zmniejszenia ryzyka obrażeń

Instalacja uziemiająca

⚠ NIEBEZPIECZEŃSTWO

Zagrożenie porażenia prądem elektrycznym

Dotykanie niektórych elementów wewnętrznych może prowadzić do poważnych obrażeń ciała lub śmierci. Nie demontować urządzenia.

⚠ OSTRZEŻENIE

Zagrożenie porażeniem prądem elektrycznym

Niewłaściwe użycie uziemienia może spowodować porażenie prądem elektrycznym. Nie podłączać wtyczki do gniazdka, dopóki urządzenie nie zostanie prawidłowo zainstalowane i uziemione

Urządzenie musi być uziemione. W przypadku zwarcia uziemienie zmniejsza ryzyko porażenia prądem, zapewniając przewód ucieczki dla prądu elektrycznego.

To urządzenie jest wyposażone w kabel z przewodem uziemiającym i wtyczkę z uziemieniem. Wtyczka musi być włożona do właściwie zainstalowanego i uziemionego gniazdka.

Jeżeli instrukcje dotyczące uziemienia nie są całkowicie zrozumiałe lub jeżeli występują wątpliwości, co do właściwego uziemienia urządzenia, należy skonsultować się z wykwalifikowanym elektrykiem lub pracownikiem serwisu. Jeżeli konieczne jest użycie przedłużacza, należy stosować wyłącznie przedłużacz 3-żyłowy.

- Dla zmniejszenia ryzyka wynikającego z zaplątania się lub potknięcia o długi kabel, dostarczany jest krótki kabel zasilający.

- W przypadku użycia długiego kabla lub przedłużacza:
 - Oznaczona wartość znamionowa kabla lub przedłużacza powinna mieć wartość przynajmniej tak dużą jak elektryczna wartość znamionowa urządzenia.
 - Kabel przedłużający musi być 3-żyłowy z uziemieniem.
 - Długi przewód powinien być ułożony w taki sposób, aby nie opadał na blat, na którym mógłby zostać pociągnięty przez dzieci lub mógłby spowodować przypadkowe potknięcie.

OSTRZEŻENIE

Niebezpieczne jest wykonywanie jakichkolwiek czynności serwisowych lub naprawczych, które wymagają zdemontowania osłony chroniącej przed narażeniem na działanie energii mikrofalowej.

Patrz informacje zawarte w rozdziałach „Materiały, których można używać w kuchence mikrofalowej” lub „Materiały, których nie należy używać w kuchence mikrofalowej”.

Mogą istnieć pewne niemetalowe naczynia, których nie można bezpiecznie używać w kuchenkach mikrofalowych. W przypadku wątpliwości możliwe jest przetestowanie danego naczynia, wykonując poniższą procedurę.

PL

Test naczyń:

- Napełnić pojemnik nadający się do mikrofalówki szklanką zimnej wody (250 ml) i wstawić go razem z testowanym naczyniem.
- Gotować na maksymalnej mocy przez 1 minutę.
- Ostrożnie dotknąć naczynia. Jeżeli puste naczynie jest ciepłe, nie używać do gotowania w kuchence mikrofalowej.
- Nie przekraczać 1 minuty czasu podgrzewania.

Materiały, których można używać w kuchence mikrofalowej

Przybory	Uwagi
Naczynie do przyrumieniania	Postępować zgodnie z instrukcjami producenta. Dno naczynia do przyrumieniania musi znajdować się co najmniej 5 mm nad talerzem obrotowym. Nieprawidłowe użytkowanie może spowodować uszkodzenie talerza obrotowego.
Zastawa stołowa	Tylko do użytku w kuchence mikrofalowej. Postępować zgodnie z instrukcjami producenta. Nie używać popękanych lub wyszczerbionych naczyń.
Szklane słoiki	Zawsze zdejmować pokrywkę. Używać wyłącznie do lekkiego podgrzewania żywności. Większość szklanych słoików nie jest odporna na bardzo wysoką temperaturę i dlatego może pęknąć.
Naczynia szklane	Tylko żaroodporne szklane naczynia do kuchenek. Upewnić się, że nie ma metalowego wykończenia. Nie używać popękanych lub wyszczerbionych naczyń.
Torebki do gotowania w kuchence	Postępować zgodnie z instrukcjami producenta. Nie zamykać metalową opaską. Wykonać szczeliny, aby umożliwić ujście pary.
Papierowe talerze i kubki	Używać tylko do krótkotrwałego gotowania/podgrzewania. Nie pozostawiać kuchenki bez nadzoru podczas gotowania.
Ręczniki papierowe	Używać ich do przykrywania żywności podczas podgrzewania oraz ze względu na ich właściwości wchłaniania tłuszczu. Używać wyłącznie do krótkotrwałego gotowania pod nadzorem.
Pergamin	Używać jako osłony, aby zapobiec rozpryskiwaniu lub do owijania podczas gotowania na parze.
Plastik	Tylko do użytku w kuchence mikrofalowej. Postępować zgodnie z instrukcjami producenta. Powinien być oznaczony jako „Bezpieczny do stosowania w kuchenkach mikrofalowych”. Niektóre plastikowe pojemniki miękną podczas podgrzewania obecnej w nich żywności. „Torebki do gotowania” i szczelnie zamknięte torebki plastikowe należy naciąć, podziurkować albo zaopatrzyć w odpowietrznik zgodnie ze wskazówkami na opakowaniu.
Folia plastikowa	Tylko do użytku w kuchence mikrofalowej. Używać do przykrycia żywności podczas gotowania, aby zatrzymać wilgoć. Nie dopuszczać do tego, aby folia dotykała żywności.
Termometry	Tylko do użytku w kuchence mikrofalowej (termometry do mięsa i cukiernicze)
Papier woskowy	Używać jako osłony, aby zapobiec rozpryskiwaniu i zatrzymać wilgoć.

PL

Materiały, których nie należy używać w kuchence mikrofalowej

Przybory	Uwagi
Tacka aluminiowa	Może powodować iskrzenie. Przełożyć żywność do naczynia dopuszczonego do użycia w kuchenkach mikrofalowych.
Karton spożywczy z metalowym uchwytem	Może powodować iskrzenie. Przełożyć żywność do naczynia dopuszczonego do użycia w kuchenkach mikrofalowych.
Naczynia metalowe lub z obrzeżem metalowym	Metal ekranuje żywność przed energią mikrofalową. Obrzeża metalowe mogą powodować iskrzenie.
Zapięcia metalowe	Mogą powodować iskrzenie i doprowadzić do pożaru w kuchence.
Torebki papierowe	Mogą spowodować pożar w kuchence.
Styropian	Styropian może się stopić lub zanieczyścić znajdującą się w nim ciecz, jeśli zostanie poddany działaniu wysokiej temperatury.
Drewno	Drewno wysycha, gdy jest podgrzewane w kuchence mikrofalowej oraz może rozszepać się lub pękać.

SPECYFIKACJA

MODEL	MM20CF2E/MM20CF2EBK
NAPIĘCIE ZNAMIONOWE	230V~ 50Hz
ZNAMIONOWA MOC WEJŚCIOWA (MIKROFALE)	1050W
ZNAMIONOWA MOC WYJŚCIOWA (MIKROFALE)	700W

OPIS PRODUKTU

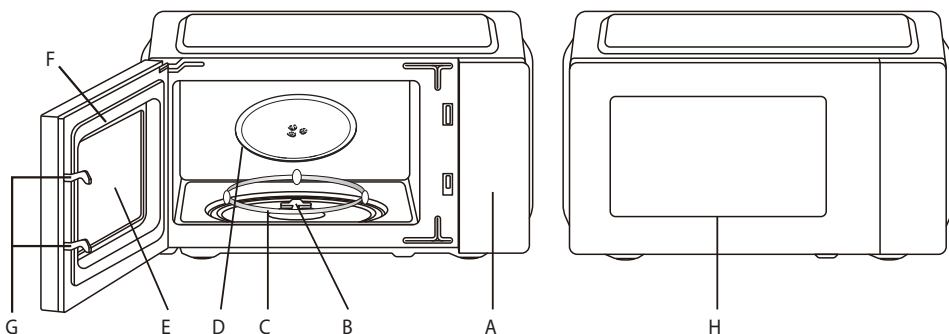
Nazwy części i akcesoriów

W przypadku jakichkolwiek rozbieżności między urządzeniem a ilustracjami w niniejszej instrukcji nadrzędne znaczenie ma produkt.

Wyjąć kuchenkę i wszystkie materiały z opakowania i komory kuchenki.

Kuchenka jest dostarczana z następującymi akcesoriami:

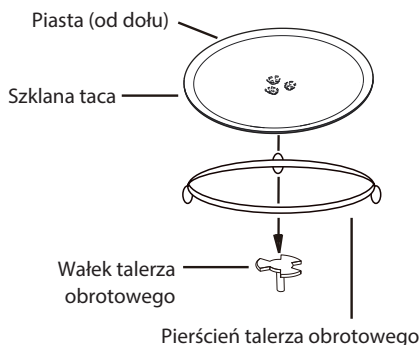
Szklana taca	1
Zespół pierścienia obrotowego	1
Instrukcja obsługi	1



- A) Panel sterowania
- B) Wałek talerza obrotowego
- C) Pierścień talerza obrotowego
- D) Szklana taca

- E) Okienko kontrolne
- F) Zespół drzwiczek
- G) Blokada zabezpieczająca
- H) Drzwiczki

Montaż talerza obrotowego



- a. Nigdy nie umieszczać szklanej tacy do góry nogami. Taca musi się swobodnie obracać.
- b. Podczas gotowania należy zawsze używać zarówno szklanej tacy, jak i pierścienia obrotowego.
- c. Wszystkie potrawy i pojemniki z żywnością należy zawsze umieszczać na szklanej tacy.
- d. Jeśli taca lub pierścień obrotowy pęknie lub złamie się, należy skontaktować się z najbliższym autoryzowanym centrum serwisowym.

INSTALACJA PRODUKTU

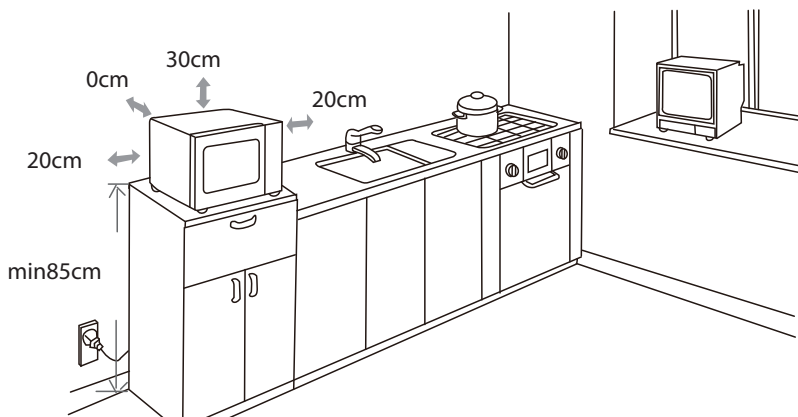
Instalacja na blacie

Usunąć wszystkie materiały opakowaniowe i akcesoria. Sprawdzić kuchenkę pod kątem uszkodzeń, takich jak wgniecenia lub pęknięte drzwi. Nie instalować, jeśli kuchenka jest uszkodzona.

Obudowa: Usunąć folię ochronną znajdującą się na powierzchni obudowy kuchenki mikrofalowej. Nie zdejmować osłony falowodu, która jest przymocowana do wnętrza kuchenki w celu ochrony magnetronu.

Instalacja

1. Wybrać wypoziomowaną powierzchnię, która zapewni dostateczną przestrzeń dla otworów wlotowych i/lub wylotowych.



- Minimalna wysokość instalacji wynosi 85 cm.
- Tylną część urządzenia umieścić pod ścianą. Pozostawić co najmniej 30 cm wolnej przestrzeni nad kuchenką, a między kuchenką a sąsiednimi ścianami co najmniej 20 cm.
- Nie usuwać nóg z dolnej części kuchenki.
- Zablokowanie otworów wlotowych i/lub wylotowych może uszkodzić kuchenkę.
- Umieścić kuchenkę mikrofalową możliwie najdalej od radia i telewizora. Działanie kuchenki mikrofalowej może powodować zakłócenia w odbiorze sygnału radiowego lub telewizyjnego.

2. Podłączyć kuchenkę do standardowego gniazdka domowego. Upewnić się, że parametry napięcia i częstotliwości są zgodne z wartościami podanymi na tabliczce znamionowej.

⚠ OSTRZEŻENIE

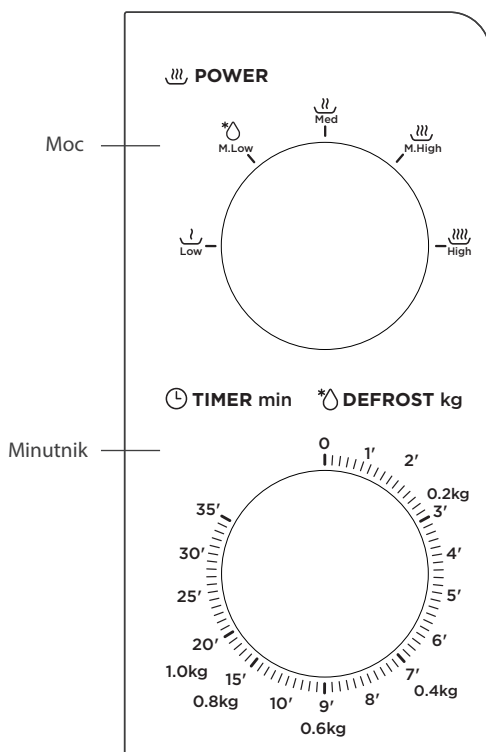
Nie instalować urządzenia nad płytą kuchenną lub innym urządzeniem wytwarzającym ciepło. Jeśli kuchenka zostanie zainstalowana w pobliżu lub nad źródłem ciepła, może ona ulec uszkodzeniu, a gwarancja zostanie unieważniona.

Dostępna powierzchnia może być gorąca podczas pracy.



INSTRUKCJE DOTYCZĄCE OBSŁUGI

Panel sterowania i funkcje



1. Aby ustawić moc gotowania, należy przekręcić pokrętkę mocy na żądany poziom.
2. Aby ustawić czas gotowania, należy przekręcić pokrętkę minutnika na żądany czas zgodnie z opisem przygotowania potrawy.
3. Kuchenka mikrofalowa automatycznie rozpocznie gotowanie po ustawieniu poziomu mocy i czasu.
4. Po upływie czasu gotowania rozlegnie się sygnał dźwiękowy i urządzenie zakończy działanie.
5. Gdy urządzenie nie jest używane, należy zawsze ustawić czas do położenia początkowego.

PL

Funkcja / Moc	Moc wyjściowa	Zastosowanie
Low	17% mocy	Rozmiękczenie lodów
*M.Low	33% mocy	Zupa, gulasz, rozmiękczenie masła lub rozmrażanie
Med	55% mocy	Gulasz, ryba
M.High	77% mocy	Ryż, ryba, kurczak, mięso mielone
High	100% mocy	Odgrzewanie, mleko, gotowanie wody, warzywa, napoje

- UWAGA** Podczas wyjmowania żywności z kuchenki należy upewnić się, że zasilanie jest wyłączone, ustawiając pokrętkę czasu w położeniu początkowym. W przeciwnym razie może dojść do użytkowania kuchenki bez żywności, co grozi przegrzaniem i uszkodzeniem magnetronu.

CZYSZCZENIE I KONSERWACJA

Należy pamiętać o odłączeniu urządzenia od źródła zasilania.

- Po użyciu wyczyścić wnętrze kuchenki lekko wilgotną ściereczką.
- Akcesoria czyścić w standardowy sposób za pomocą wody z mydłem.
- Zabrudzoną ramę i uszczelkę drzwi oraz sąsiadujące z nimi części należy ostrożnie czyścić wilgotną ściereczką.
- Do czyszczenia szyby drzwiczek kuchenki nie używać ściernych środków czyszczących ani ostrych metalowych skrobaków, ponieważ mogą one zarysować powierzchnię, co grozi pęknięciem szyby.
- Wskazówka dotycząca czyszczenia! Sposób na łatwiejsze czyszczenie ścian komory, z którymi mogła mieć styczność gotowana żywność:

Umieścić w misce połówkę cytryny, dolać 300 ml wody i podgrzewać na 100% mocy kuchenki mikrofalowej przez 10 minut. Wyrzeć kuchenkę miękką, suchą ściereczką.

ROZWIĄZYWANIE PROBLEMÓW


Sytuacje normalne

Kuchenka mikrofalowa zakłóca odbiór sygnału telewizyjnego	Odbiór radiowy i telewizyjny może być zakłócany podczas pracy kuchenki mikrofalowej. Podobne zakłócenia mogą wywoływać małe urządzenia elektryczne, takie jak miksery, odkurzacze i wentylatory elektryczne. To normalne zjawisko.
Przytłumione oświetlenie w kuchence	Podczas gotowania mikrofalowego z niską mocą oświetlenie kuchenki może być przytłumione. To normalne zjawisko.
Para gromadząca się na drzwiach, gorące powietrze z otworów wentylacyjnych	Podczas gotowania z żywności może wydobywać się para. Większość wydostanie się z otworów wentylacyjnych. Jednak częściowo zgromadzi się ona na chłodniejszych elementach, takich jak drzwiczki kuchenki. To normalne zjawisko.
Kuchenka została przypadkowo uruchomiona bez żywności w środku.	Zabrania się uruchamiania urządzenia bez żywności. Jest to bardzo niebezpieczne.

PL

Problem	Możliwa przyczyna	Rozwiązanie
Nie można uruchomić kuchenki.	• Przewód zasilający nie jest podłączony prawidłowo.	• Odłączyć. Ponownie podłączyć po 10 sekundach.
	• Zadziałał bezpiecznik lub wyłącznik automatyczny.	• Wymienić bezpiecznik lub zresetować wyłącznik automatyczny (naprawa przez profesjonalny personel naszej firmy).
	• Problem z gniazdkiem.	• Przetestować gniazdko przy użyciu innych urządzeń elektrycznych.
Kuchenka nie grzeje.	• Drzwiczki nie są dobrze zamknięte.	• Domknąć drzwiczki.

ZNAKI HANDLOWE, PRAWA AUTORSKIE I OŚWIADCZENIE PRAWNE

 Midea logo, słowne znaki towarowe, nazwa handlowa, grafika i ich wszystkie wersje stanowią wartościowe aktywa Midea Group i/lub podmiotów powiązanych ("Midea"), dla których Midea jest właścicielem znaków handlowych, praw autorskich i innych praw własności intelektualnej, oraz wszelkiej wartości wynikającej z użycia jakiegokolwiek części znaku handlowego Midea. Użycie znaku handlowego Midea dla celów handlowych bez wcześniejszego uzyskania zgody na piśmie od Midea może być poczytane za naruszenie znaku handlowego lub nieuczciwą konkurencję ze złamaniem stosownych praw.

Niniejszą instrukcję opracował Midea i Midea zastrzega sobie wszelkie związane z tym prawa autorskie. Żadna osoba prawna ani fizyczna nie może wykorzystywać, kopiować, modyfikować, rozpowszechniać tej instrukcji w całości ani w części, ani łączyć jej lub sprzedawać z innymi produktami bez wcześniejszego uzyskania zgody na piśmie od Midea.

PL

Wszelkie opisane funkcje i polecenia były aktualne na czas druku niniejszej instrukcji. Jednakże, dane faktyczne mogą być inne ze względu na zastosowane ulepszenia w działaniu i konstrukcji urządzenia.

UTYLIZACJA I RECYKLING

Ważne zalecenia odn. środowiska

Zgodność z dyrektywą dot. utylizacji zużytego sprzętu elektrycznego i elektronicznego (ZSEE): Urządzenie spełnia wymagania Dyrektywy Europejskiej dot. ZSEE, 2012/19/EC. Produkt posiada symbol selektywnej utylizacji odpadów - jako zużyty sprzęt elektryczny i elektroniczny (ZSEE).

Ten symbol oznacza, że produktu po zakończeniu okresu eksploatacji nie wolno utylizować wraz z innymi odpadami domowymi. Zużyte urządzenie należy oddać do oficjalnego punktu zbiórki w celu przekazania do recyklingu. W celu znalezienia takich punktów zbiórki prosimy zwrócić się do lokalnego urzędu lub sprzedawcy produktu. Każdy gospodarstwo domowe odgrywa ważną rolę w odzyskiwaniu i recyklingu starych urządzeń. Właściwa utylizacja zużytego urządzenia pozwala zapobiec potencjalnym, negatywnym konsekwencjom dla środowiska i ludzkiego zdrowia.



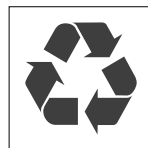
PL

Zgodność z Dyrektywą RoHS

Nabyty przez Państwa produkt spełnia wymagania Dyrektywy UE (2011/65/EC). Nie zawiera szkodliwych ani zakazanych materiałów wymienionych w tej dyrektywie.

Informacja odn. opakowania

Materiały opakowaniowe produktu są wytwarzane z materiałów z recyklingu zgodnie z naszymi przepisami krajowymi. Nie utylizować materiałów opakowaniowych wraz z odpadami domowymi lub innymi odpadami. Należy je oddać do punktu zbiórki materiałów opakowaniowych wskazanych przez lokalny urząd.



NOTA WS. OCHRONY DANYCH OSOBOWYCH

W celu zapewnienia usług uzgodnionych z klientem, zgadzamy się na spełnianie bez zastrzeżeń wszelkich mających zastosowanie przepisów dot. ochrony danych, przyjętych w krajach, w których będziemy zaopatrywać klienta, a także, o ile dotyczy, europejskiego Rozporządzenia o Ochronie Danych Osobowych (RODO).

Generalnie, przetwarzanie danych osobowych przez nas służy spełnianiu obowiązków wynikających z umowy z Państwem oraz ma znaczenie dla bezpieczeństwa produktu, ma chronić Państwa prawa w związku z gwarancją i z pytaniami zadawanymi przy rejestracji produktu. W niektórych przypadkach i tylko przy zapewnionej stosownej ochronie, dane osobowe mogą zostać przekazane odbiorcom znajdującym się poza Europejską Strefą Ekonomiczną.

Więcej informacji dostarczymy na prośbę. Z naszym Inspektorem Danych Osobowych można się skontaktować przez **MideaDPO@midea.com**. By skorzystać ze swojego prawa do sprzeciwu wobec przetwarzania Państwa danych osobowych dla celów marketingu bezpośredniego, prosimy o kontakt z nami przez **MideaDPO@midea.com**. Więcej informacji po zeskanowaniu kodu QR.

PL



make yourself at home

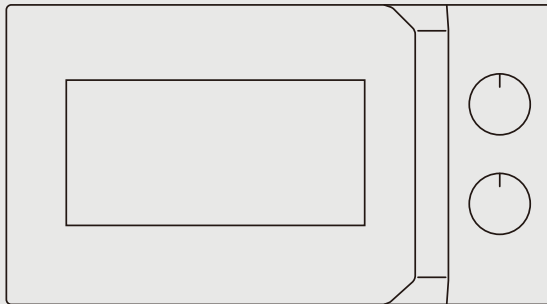


www.midea.com

© Midea 2024 all rights reserved



RO



CUPTOR CU MICROUND

MANUAL DE UTILIZARE

**MM20CF2E
MM20CF2EBK**

Avertismente: Înainte de a utiliza acest produs, vă rugăm să citiți cu atenție acest manual și să-l păstrați pentru referințe ulterioare.

Designul și specificațiile pot fi modificate fără notificare prealabilă pentru îmbunătățirea produsului.

Consultați dealerul sau producătorul pentru detalii.

Diagrama de mai sus este doar pentru referință. Vă rugăm să luați ca standard aspectul produsului real.

SCRISOARE DE MULȚUMIRE

Vă mulțumim că ați ales Midea! Înainte de a utiliza noul produs Midea, vă rugăm să citiți cu atenție acest manual pentru a vă asigura că știți cum să folosiți în siguranță caracteristicile și funcțiile pe care le oferă noul dumneavoastră aparat.

CUPRINS

SCRISOARE DE MULȚUMIRE	RO-01
INSTRUCȚIUNI DE SIGURANȚĂ	RO-02
SPECIFICAȚII	RO-11
PREZENTARE GENERALĂ A PRODUSULUI	RO-12
INSTALAREA PRODUSULUI	RO-13
INSTRUCȚIUNI DE UTILIZARE	RO-14
CURĂȚARE ȘI ÎNTREȚINERE	RO-15
DEPĂNARE	RO-16
MĂRCI COMERCIALE, DREPTURI DE AUTOR ȘI DECLARAȚII LEGALE	RO-17
ELIMINARE ȘI RECICLARE	RO-18
AVIZ DE PROTECȚIE A DATELOR	RO-19

RO

INSTRUCȚIUNI DE SIGURANȚĂ

Utilizare preconizată

Următoarele instrucțiuni de siguranță au ca scop prevenirea riscurilor neprevăzute sau a daunelor cauzate de utilizarea nesigură sau incorectă a aparatului. Vă rugăm să verificați ambalajul și aparatul la sosire pentru a vă asigura că totul este intact pentru a asigura o funcționare sigură. În cazul în care constatați deteriorări, contactați vânzătorul sau distribuitorul. Vă rugăm să rețineți că nu sunt permise modificări sau alterări ale aparatului din motive de siguranță. Utilizarea neintenționată poate cauza pericole și pierderea drepturilor de garanție.

Explicarea simbolurilor



Pericol

Acest simbol indică faptul că există pericole pentru viața și sănătatea persoanelor din cauza unui gaz extrem de inflamabil.



Avertisment de tensiune electrică

Acest simbol indică faptul că există un pericol pentru viața și sănătatea persoanelor din cauza tensiunii.



Avertisment

Cuvântul de semnalizare indică un pericol cu un nivel mediu de risc care, dacă nu este evitat, poate duce la deces sau vătămări grave.



Prudență

Cuvântul de semnalizare indică un pericol cu un grad scăzut de risc care, dacă nu este evitat, poate avea ca rezultat vătămări minore sau moderate.



Atenție

Cuvântul de semnalizare indică informații importante (de exemplu, daune materiale), dar nu pericol.



Respectați instrucțiunile

Acest simbol indică faptul că un tehnician de service trebuie să utilizeze și să întrețină acest aparat numai în conformitate cu instrucțiunile de utilizare.

Citiți cu atenție și cu atenție aceste instrucțiuni de utilizare înainte de a utiliza/pune în funcțiune aparatul și păstrați-le în imediata apropiere a locului de instalare sau a aparatului pentru utilizare ulterioară!

Precauții pentru a evita posibila expunere la radiație excesivă cu microunde

- a. Nu încercați să utilizați cuptorul cu ușa deschisă, deoarece expunerea la radiații cu microunde poate fi dăunătoare. Este important să nu deteriorați sau să nu forțați blocajele de siguranță.
- b. Nu așezați obiecte între partea frontală și ușa cuptorului, și nu lăsați să se acumuleze resturi de alimente sau soluții de curățare pe garnitura de etanșare.
- c. AVERTISMENT: Dacă ușa sau garniturile ușii sunt deteriorate, nu puneți cuptorul în funcțiune până când nu a fost reparat de o persoană competentă.

Addendum

RO

Dacă aparatul nu este menținut curat, suprafața sa ar putea fi degradată și ar putea afecta durata de viață a aparatului, care ar putea duce la o situație periculoasă.

Instrucțiuni importante de siguranță

▲ AVERTISMENT

Pentru a reduce riscul de incendiu, electrocutare, rănirea persoanelor sau expunerea la energie excesivă a cuptorului cu microunde, atunci când utilizați aparatul, urmați măsurile de precauție de bază, inclusiv următoarele:

- Citiți și urmați specificul: "PRECAUȚII PENTRU A EVITA POSIBILA EXPUNERE LA RADIAȚII EXCESIVE CU MICROUNDI".
- Acest aparat nu este destinat utilizării de către persoane (inclusiv copii) cu capacități fizice, senzoriale sau mentale reduse sau lipsă de experiență și cunoștințe, cu excepția cazului în care au fost supravegheați sau instruiți cu privire la utilizarea aparatului de către o persoană responsabilă pentru siguranța acestora.
- Copiii trebuie supravegheați pentru a se asigura că nu se joacă cu aparatul.
- Dacă cablul de alimentare este deteriorat, acesta trebuie înlocuit de producător, serviciul său de asistență tehnică sau persoane calificate în mod similar pentru a evita un pericol. (Pentru aparatul cu atașament de tip Y).
- AVERTISMENT: Asigurați-vă că aparatul este oprit înainte de a înlocui lampa pentru a evita posibilitatea de electrocutare.
- AVERTISMENT: este periculos pentru oricine altcineva decât o persoană competentă să efectueze orice lucrări de întreținere sau reparații care implică îndepărtarea oricărei carcase care oferă protecție împotriva radiațiilor cu microunde.
- AVERTISMENT: Lichidele și alte alimente nu trebuie încălzite în recipiente sigilate, deoarece acestea pot exploda.
- Supravegheați cuptorul când încălziți alimente în recipiente din material plastic sau din hârtie, deoarece există pericolul ca acestea să ia foc.

- Utilizați numai ustensile care sunt adecvate pentru utilizare în cuptoarele cu microunde.
- Dacă se emite fum, opriți sau deconectați aparatul și păstrați ușa închisă pentru a înăbuși orice flăcări.
- Încălzirea cu microunde a băuturilor poate duce la fierberea tardivă bruscă, de aceea trebuie să aveți grijă la mânuirea recipientului.
- Conținutul biberoanelor și al recipientelor de mâncare pentru copii trebuie să fie amestecate sau agitate și temperatura verificată înainte de consum, pentru a evita arsurile.
- Ouăle în coajă și ouăle întregi fierte nu trebuie încălzite în cuptoare cu microunde, deoarece pot exploda, chiar și după încetarea programului de încălzire.
- Cuptorul trebuie curățat în mod regulat și orice depuneri de alimente trebuie îndepărtate.
- Nemenținerea cuptorului în stare curată poate duce la deteriorarea suprafeței care ar putea afecta negativ durata de viață a aparatului și ar putea duce la o situație periculoasă.
- Aparatul nu trebuie instalat în spatele unei uși decorative pentru a evita supraîncălzirea. (Acest lucru nu se aplică pentru aparatele cu ușă decorativă.)
- Utilizați doar sonda de temperatură recomandată pentru acest cuptor. (pentru cuptoarele prevăzute cu o instalație de utilizare a unei sonde de detectare a temperaturii.)
- Cuptorul cu microunde nu trebuie plasat într-un dulap decât dacă a fost testat într-un dulap.
- Cuptorul cu microunde trebuie să funcționeze cu ușa decorativă deschisă. (pentru cuptoare cu ușă decorativă.)
- Acest aparat este destinat utilizării în gospodării și în aplicații similare, cum ar fi:

- Funcționează în bucătării din magazine, birouri și alte medii de lucru;
- ferme;
- de către clienții din hoteluri, moteluri și alte medii de tip rezidențial;
- În medii de tip bed and breakfast;
- Cuptorul cu microunde este destinat încălzirii alimentelor și băuturilor. Uscarea alimentelor sau a îmbrăcăminte și încălzirea a papucilor, a pernei de încălzire, a bureților, a cârpei umede și a altor materiale similare pot duce la risc de rănire, aprindere sau incendiu.
- Recipientele metalice pentru alimente și băuturi nu sunt permise în timpul gătitului cu microunde.
- Aparatul nu trebuie curățat cu un aparat de curățat cu abur.
- Aparatul este destinat utilizării independente.
- Suprafața posterioară a aparatelor trebuie așezată la perete.

**CITIȚI CU ATENȚIE ȘI PĂSTRAȚI PENTRU VIITOARE
REFERINȚE**

Pentru a reduce riscul de rănire a persoanelor la instalația de împământare

⚠ PERICOL

Pericol de electrocutare

Atingerea unora dintre componentele interne poate provoca vătămări corporale grave sau deces. Nu dezamblați acest aparat.

⚠ AVERTISMENT

Pericol de electrocutare

Utilizarea necorespunzătoare a împământării poate cauza electrocutări.

Nu conectați la o priză până când aparatul nu este instalat și împământat corespunzător.

Acest aparat trebuie să fie împământat. În cazul unui scurtcircuit electric, împământarea reduce riscul de electrocutare prin furnizarea unui fir de evacuare pentru curentul electric.

Acest aparat este echipat cu un cablu având un fir de împământare cu un ștecher de împământare. Ștecherul trebuie conectat la o priză care este instalată și împământată corespunzător.

Consultați un electrician sau un tehnician specializat dacă instrucțiunile de împământare nu sunt complet înțelese sau dacă există îndoieli cu privire la faptul dacă aparatul este împământat corespunzător.

Dacă este necesar să utilizați un prelungitor, utilizați numai un prelungitor cu 3 fire.

RO

- Este prevăzut un cablu de alimentare scurt pentru a reduce riscurile care rezultă din încurcarea sau împiedicarea într-un cablu mai lung.
- Dacă se utilizează un set de cablu lung sau un prelungitor:
 - Valoarea electrică marcată a setului de cablu sau a prelungitorului trebuie să fie cel puțin la fel de mare ca valoarea electrică a aparatului.
 - Cablul prelungitor trebuie să fie un cablu cu 3 fire de tip împământare.
 - Cablul lung trebuie aranjat astfel încât să nu se întindă deasupra blatului sau a mesei de unde poate fi tras de copii sau cineva să se împiedice neintenționat.

ATENȚIE

Este periculos pentru oricine, altul decât o persoană competentă, să efectueze orice operațiune de service sau reparație care implică îndepărtarea unui capac care oferă protecție împotriva expunerii la radiația cu microunde. Consultați instrucțiunile de la „Materiale pe care le puteți utiliza în cuptorul cu microunde sau care trebuie evitate”. Este posibil să existe anumite ustensile nemetalice care nu sunt sigure de utilizat pentru microunde. Dacă aveți dubii, puteți testa ustensila în cauză urmând procedura de mai jos.

Test ustensilă:

- Umpleți un recipient sigur pentru cuptorul cu microunde cu 1 cană de apă rece (250 ml) împreună cu ustensila în cauză.
- Gătiți la putere maxima timp de 1 minut.
- Atingeți cu atenție ustensila. Dacă ustensila în sine este caldă, nu o folosiți pentru gătitul cu microunde.
- Nu depășiți timpul de gătire de 1 minut.

Materiale pe care le puteți utiliza în cuptorul cu microunde

Ustensile	Observații
Platou pentru rumenit	Urmați instrucțiunile producătorului. Partea inferioară a platoului pentru rumenire trebuie să fie la cel puțin 3/16 inch (5 mm) deasupra platanului rotativ. Utilizarea incorectă poate cauza deteriorarea platanului rotativ.
Veselă	Sigure pentru utilizarea în cuptorul cu microunde. Urmați instrucțiunile producătorului. Nu folosiți vase crăpate sau cioplite.
Borcane de sticlă	Scoateți întotdeauna capacul. Utilizați numai pentru a încălzi alimentele. Majoritatea borcanelor de sticlă nu sunt rezistente la căldură și se pot sparge.
Articole de sticlă	Nu mai sticlă rezistentă la căldură. Asigurați-vă că nu există ornamente metalice. Nu folosiți vase crăpate sau cioplite.
Pungi de gătit la cuptor	Urmați instrucțiunile producătorului. Nu închideți cu clipsuri. Faceți fante pentru a permite aburului să iasă.
Farfurii și pahare de hârtie	Utilizați numai pentru gătit/încălzire rapid. Nu lăsați cuptorul nesupravegheat în timp ce gătiți.
Șervețele de hârtie	Utilizați pentru a acoperi alimentele pentru reîncălzirea și absorbția de grăsimi. Utilizați cu supraveghere numai pentru o gătire rapidă.
Hârtie pergament	Utilizați ca o acoperire pentru a preveni stropirea sau o folie pentru abur.
Plastic	Sigure pentru utilizarea în cuptorul cu microunde. Urmați instrucțiunile producătorului. Ar trebui să fie etichetate "Sigure pentru cuptorul cu microunde". Unele recipiente din plastic se înmoaie, deoarece alimentele din interior se încălzesc. "Pungile de fierbere" și pungile de plastic bine închise trebuie tăiate, străpunse sau ventilate conform instrucțiunilor de pe ambalaj.
Folie de plastic	Sigure pentru utilizarea în cuptorul cu microunde. Utilizați pentru a acoperi alimentele în timpul gătitului pentru a reține umezeala. Nu permiteți folia de plastic să atingă alimentele.
Termometre	Sigure pentru utilizarea în cuptorul cu microunde (termometre pentru carne și bomboane).
Hârtie cerată	Utilizați drept capac pentru a preveni stropirea și pentru a reține umezeala.

Materiale care trebuie evitate în cuptorul cu microunde

Ustensile	Observații
Tava din aluminiu	Poate provoca arc electric. Transferați alimentele într-un vas sigur pentru cuptorul cu microunde.
Cutie alimentară cu mâner metalic	Poate provoca arc electric. Transferați alimentele într-un vas sigur pentru cuptorul cu microunde.
Ustensile metalice sau garnituri metalice	Metalul protejează alimentele de radiația cu microunde. Garniturile metalice pot provoca arc electric.
Clipsuri	Poate provoca arc electric și poate provoca un incendiu în cuptor.
Pungi de hârtie	Poate provoca un incendiu în cuptor.
Spumă de plastic	Spuma de plastic poate topi sau contamina lichidul din interior atunci când este expusă la temperaturi ridicate.
Lemn	Lemnul se va usca atunci când este utilizat în cuptorul cu microunde și se poate despică sau crăpa.

SPECIFICAȚII

MODEL	MM20CF2E/MM20CF2EBK
TENSIUNE NOMINALĂ	230V~ 50Hz
INTRARE NOMINALĂ (CUPTOR CU MICROUNDRE)	1050W
PUTERE NOMINALĂ (CUPTOR CU MICROUNDRE)	700W

RO

PREZENTARE GENERALĂ A PRODUSULUI

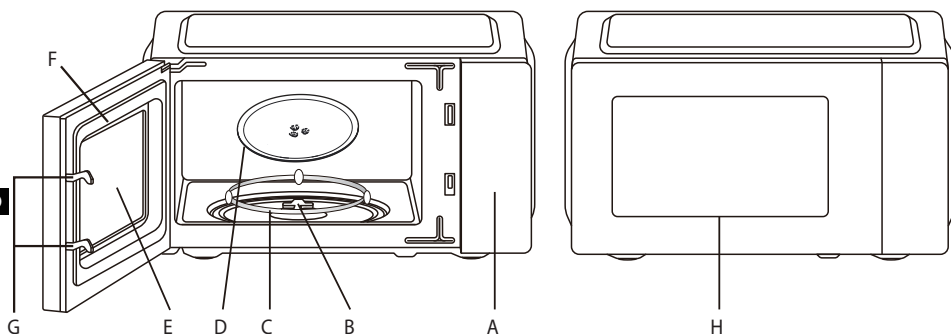
Denumire piese și accesorii cuptor

În cazul în care există diferențe între aparat și imaginile din acest manual, produsul va prevala.

Scoateți cuptorul și toate materialele din cutie și din cavitatea cuptorului.

Cuptorul dvs. vine cu următoarele accesorii:

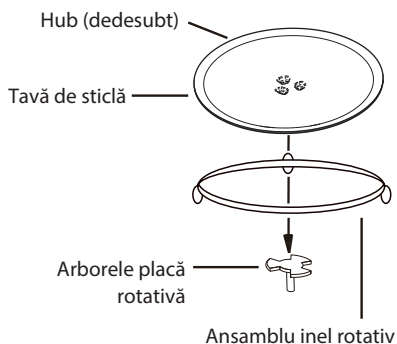
Tavă de sticlă	1
Ansamblu inel rotativ	1
Manual de instrucțiuni	1



- A) Panoul de control
- B) Arbore placă rotativă
- C) Ansamblu inel rotativ
- D) Tavaă de sticlă

- E) Fereastra de observare
- F) Ansamblu ușă
- G) Sistem de blocare de siguranță
- H) Ușă

Instalare placă rotativă



- a. Nu așezați niciodată tava de sticlă cu susul în jos. Tava de sticlă nu trebuie niciodată restricționată.
- b. Atât tava de sticlă, cât și ansamblul inelului rotativ trebuie utilizate întotdeauna în timpul gătitului.
- c. Toate alimentele și recipientele cu alimente sunt întotdeauna așezate pe tava de sticlă pentru gătit.
- d. Dacă tava de sticlă sau ansamblul inelului rotativ se fisurează sau se rupe, contactați cel mai apropiat centru de service autorizat.

INSTALAREA PRODUSULUI

Instalarea blat

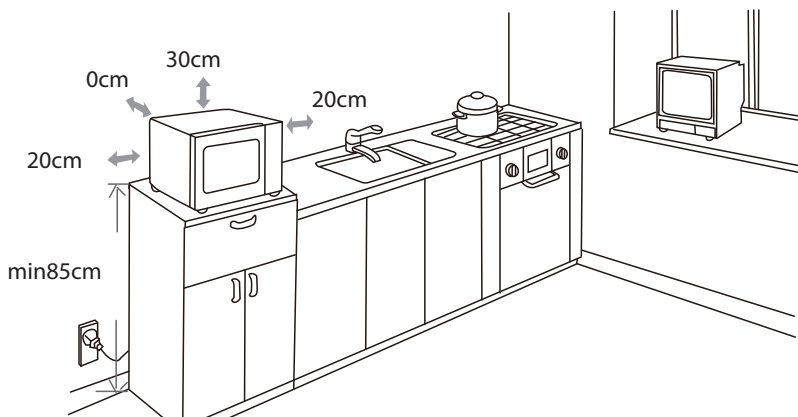
Îndepărtați toate materialele de ambalare și accesoriile. Examinați cuptorul pentru orice deteriorare, cum ar fi lovituri sau ușă spartă. Nu instalați, dacă cuptorul este deteriorat.

Dulap: îndepărtați orice folie de protecție găsită pe suprafața dulapului cuptorului cu microunde.

Nu scoateți capacul ghidului de undă care este atașat la cavitatea cuptorului pentru a proteja magnetronul.

Instalare

1. Selectați o suprafață plană care să ofere suficient spațiu deschis pentru orificiile de admisie și/sau de evacuare.



RO

- Înălțimea minimă de instalare este de 85 cm.
 - Suprafața posterioară a aparatului trebuie așezată la un perete. Lăsați un spațiu minim de 30 cm deasupra cuptorului și este necesar un spațiu minim de 20 cm între cuptor și pereții adiacenți.
 - Nu scoateți picioarele de pe fundul cuptorului.
 - Blocarea orificiilor de admisie și/sau de evacuare poate deteriora cuptorul
 - Așezați cuptorul cât mai departe de radio și TV. Funcționarea cuptorului cu microunde poate cauza interferențe la recepția radio sau TV.
2. Conectați cuptorul la o priză standard de uz casnic. Asigurați-vă că tensiunea și frecvența sunt aceleași cu tensiunea și frecvența de pe eticheta nominală.

A AVERTISMENT

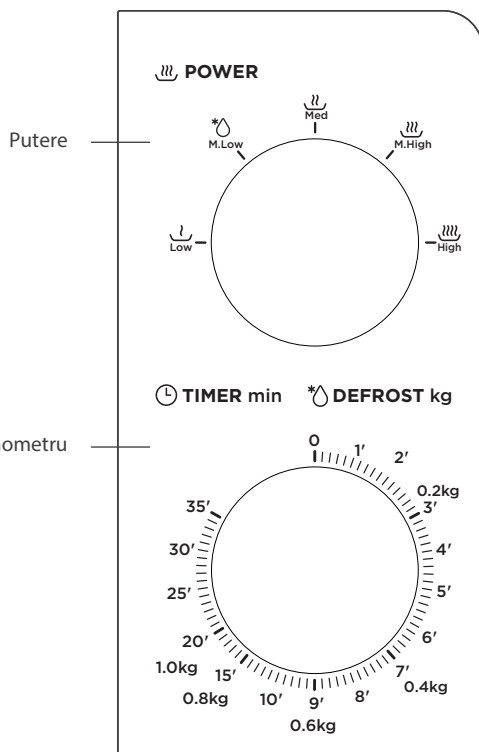
Nu instalați cuptorul pe o plită de gătit sau pe un alt aparat care produce căldură. Dacă este instalat lângă sau peste o sursă de căldură, cuptorul ar putea fi deteriorat și garanția nu ar mai fi validă.

Suprafața accesibilă poate fi fierbinte în timpul funcționării.



INSTRUCȚIUNI DE UTILIZARE

Panou de control și caracteristici



1. Pentru a seta puterea de gătit rotiți butonul de alimentare la nivelul dorit.
2. Pentru a seta timpul de gătit rotiți butonul cronometrului la timpul dorit conform ghidului de gătit alimente.
3. Cuptorul cu microunde va începe automat gătitul după setarea nivelului de putere și a timpului.
4. Când timpul de gătit a expirat, unitatea va produce un sunet „Dong” pentru a opri.
5. Dacă dispozitivul nu este utilizat, setați întotdeauna timpul la poziția inițială.

Funcție/Putere	leșire	Aplicare
Low	17% micro.	Înmoaie înghețata
M.Low	33% micro.	Tocană de supă, topește untul sau dezgheață
Med	55% micro.	Tocană, pește
M.High	77% micro.	Orez, pește, pui, carne măcinată
High	100% micro.	Reîncălzește, lapte, fierbe apă, legume, băuturi

NOTĂ Când scoateți alimentele din cuptor, asigurați-vă că alimentarea cuptorului este oprită prin rotirea comutatorului cronometrului în poziția inițială. Nerespectarea acestui lucru și funcționarea cuptorului cu microunde fără alimente în acesta poate duce la supraîncălzirea și deteriorarea magnetronului.

CURĂȚARE ȘI ÎNTREȚINERE

Asigurați-vă că deconectați aparatul de la sursa de alimentare.

- Curățați cavitatea cuptorului după utilizare cu o cârpă ușor umedă.
- Curățați accesoriile în mod obișnuit în apă cu săpun.
- Cadrul ușii și etanșarea, părțile învecinate trebuie curățate cu atenție cu o cârpă umedă atunci când sunt murdare.
- Nu utilizați produse de curățare abrazive dure sau răzuitoare metalice ascuțite pentru a curăța geamul ușii cuptorului, deoarece acestea pot zgâria suprafața, ceea ce poate duce la spargerea sticlei.
- Sfat de curățare --- pentru o curățare mai ușoară a pereților cavității pe care mâncarea gătită o poate atinge:
Puneți o jumătate de lămâie într-un castron, adăugați 300 ml (1/2 halbă) apă și încălziți la 100% putere timp de 10 minute. Ștergeți cuptorul cu o cârpă moale și uscată.

DEPĂNARE

Normal

Cuptor cu microunde care interferează recepția TV	Recepția radio și TV poate fi interferată atunci când cuptorul cu microunde funcționează. Este similar cu interferența dispozitivelor electrice mici, cum ar fi mixerul, aspiratorul și ventilatorul electric. Este normal.
Lumină slabă a cuptorului	În timpul gătitului cu putere redusă, lumina cuptorului poate deveni slabă. Este normal.
Se acumulează abur pe ușa, aer cald din orificii de ventilație	La gătit, abur poate ieși din alimente. Majoritatea va ieși din orificiile de ventilație. Dar e posibil să se acumuleze și pe ușa cuptorului. Este normal.
Cuptorul a pornit întâmplător fără mâncare în acesta.	Este interzisă funcționarea dispozitivului fără alimente în interior. Este foarte periculos.

RO

Probleme	Cauză posibilă	Remediu
Cuptorul nu poate fi pornit.	• Cablul de alimentare nu este conectat bine.	• Deconectați. Apoi conectați din nou după 10 secunde.
	• Siguranța arsă sau întrerupătorul de circuit.	• Înlocuiți siguranța sau reseați întrerupătorul (reparat de personalul profesionist al companiei noastre)
	• Probleme cu priza.	• Priză de testare cu alte aparate electrice.
Cuptorul nu se încălzește.	• Ușa nu este închisă bine.	• Închideți bine ușa.

MĂRCI COMERCIALE, DREPTURI DE AUTOR ȘI DECLARAȚII LEGALE

Midea logo-ul, mărcile verbale, denumirea comercială, imaginea comercială și toate versiunile acestora sunt active valoroase ale Midea Group și/sau ale asociaților săi ("Midea"), pentru care Midea deține mărci comerciale, drepturi de autor și alte drepturi de proprietate intelectuală, precum și toată fondul de comerț derivat din utilizarea oricărei părți a unei mărci comerciale Midea. Utilizarea mărcii comerciale Midea în scopuri comerciale fără consimțământul prealabil scris al Midea poate constitui o încălcare a mărcii comerciale sau o concurență neloială, încălcând legile relevante.

Acest manual este creat de Midea și Midea își rezervă toate drepturile de autor asupra acestuia. Nicio entitate sau persoană fizică nu poate utiliza, duplica, modifica, distribui integral sau parțial acest manual, nici nu poate grupa sau vinde împreună cu alte produse fără acordul prealabil scris al Midea.

Toate funcțiile și instrucțiunile descrise erau actualizate la momentul tipării acestui manual. Cu toate acestea, produsul real poate varia datorită funcțiilor și modelelor îmbunătățite.

ELIMINARE ȘI RECICLARE

Instrucțiuni importante pentru mediu

Conformitatea cu Directiva DEEE și eliminarea produselor uzate:

Acest produs este în conformitate cu Directiva WEEE a UE (2012/19/UE). Acest produs poartă un simbol de clasificare pentru deșeurile de echipamente electrice și electronice (DEEE).

Acest simbol indică faptul că acest produs nu trebuie eliminat împreună cu alte deșeurile menajere la sfârșitul duratei sale de viață. Deficitul uzat trebuie returnat la punctul oficial de colectare pentru reciclarea dispozitivelor electrice electronice. Pentru a găsi aceste sisteme de colectare, vă rugăm să vă adresați autorităților locale sau comerciantului cu amănuntul de unde ați cumpărat produsul. Fiecare gospodărie joacă un rol important în recuperarea și reciclarea aparatelor vechi. Eliminarea corespunzătoare a aparatelor uzate ajută la prevenirea potențialelor consecințe negative asupra mediului și sănătății umane.



RO

Conformitate cu Directiva RoHS

Produsul pe care l-ați achiziționat este în conformitate cu Directiva RoHS a UE (2011/65/UE). Acesta nu conține materiale nocive și interzise specificate în directivă.

Informații despre pachet

Materialele de ambalare ale produsului sunt fabricate din materiale reciclabile, în conformitate cu reglementările naționale de mediu. Nu aruncați materialele de ambalare împreună cu deșeurile menajere sau cu alte deșeurile. Duceți-le la punctele de colectare a materialelor de ambalaj desemnate de autoritățile locale.



AVIZ DE PROTECȚIE A DATELOR

Pentru prestarea serviciilor convenite cu clientul, suntem de acord să respectăm fără restricții toate prevederile legislației aplicabile în materie de protecție a datelor, în conformitate cu țările convenite în care vor fi furnizate serviciile către client, precum și, dacă este cazul, cu Regulamentul general privind protecția datelor (GDPR) al UE.

În general, procesarea datelor noastre are ca scop îndeplinirea obligațiilor noastre contractuale față de dumneavoastră și din motive de siguranță a produselor, pentru a vă proteja drepturile în legătură cu întrebările privind garanția și înregistrarea produselor. În unele cazuri, dar numai dacă se asigură o protecție adecvată a datelor, datele cu caracter personal pot fi transferate către destinatari aflați în afara Spațiului Economic European.

Informații suplimentare sunt furnizate la cerere. Puteți contacta responsabilul nostru cu protecția datelor prin intermediul **MideaDPO@midea.com**. Pentru a vă exercita drepturile, cum ar fi dreptul de a vă opune prelucrării datelor dvs. personale în scopuri de marketing direct, vă rugăm să ne contactați prin intermediul **MideaDPO@midea.com**. Pentru a găsi informații suplimentare, vă rugăm să urmați codul QR.

RO

RO

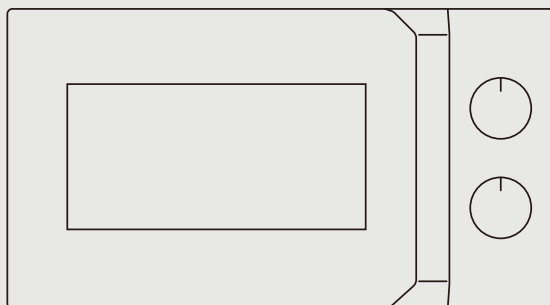


make yourself at home



www.midea.com

© Midea 2024 all rights reserved



EL

ΦΟΥΡΝΟΣ ΜΙΚΡΟΚΥΜΑΤΩΝ

ΕΓΧΕΙΡΙΔΙΟ ΧΡΗΣΤΗ

MM20CF2E
MM20CF2EBK

Προειδοποιήσεις: Πριν χρησιμοποιήσετε αυτό το προϊόν, διαβάστε προσεκτικά αυτό το εγχειρίδιο και φυλάξτε το για να μπορέσετε να ανατρέξετε σε αυτό στο μέλλον.

Ο σχεδιασμός και οι προδιαγραφές υπόκεινται σε αλλαγές χωρίς προηγούμενη ειδοποίηση, για βελτίωση του προϊόντος. Συμβουλευτείτε τον αντιπρόσωπο ή τον κατασκευαστή για λεπτομέρειες.

Το παραπάνω διάγραμμα είναι απλώς για αναφορά. Πάρτε ως πρότυπο την εμφάνιση του προϊόντος αυτού καθεαυτού.

ΕΥΧΑΡΙΣΤΗΡΙΑ ΕΠΙΣΤΟΛΗ

Σας ευχαριστούμε που επιλέξατε τη Midea! Πριν χρησιμοποιήσετε το καινούργιο προϊόν Midea που έχετε στην κατοχή σας, διαβάστε προσεκτικά το παρόν εγχειρίδιο ώστε να γνωρίζετε πώς να χειρίζεστε τις δυνατότητες και τις λειτουργίες που προσφέρει η νέα σας συσκευή με ασφαλή τρόπο.

ΠΕΡΙΕΧΟΜΕΝΑ

ΕΥΧΑΡΙΣΤΗΡΙΑ ΕΠΙΣΤΟΛΗ	EL-01
ΟΔΗΓΙΕΣ ΑΣΦΑΛΕΙΑΣ	EL-02
ΠΡΟΔΙΑΓΡΑΦΕΣ	EL-11
ΕΠΙΣΚΟΠΗΣΗ ΤΟΥ ΠΡΟΪΟΝΤΟΣ	EL-12
ΕΓΚΑΤΑΣΤΑΣΗ ΤΟΥ ΠΡΟΪΟΝΤΟΣ	EL-13
ΟΔΗΓΙΕΣ ΧΡΗΣΗΣ	EL-14
ΚΑΘΑΡΙΣΜΟΣ ΚΑΙ ΣΥΝΤΗΡΗΣΗ	EL-15
ΑΝΤΙΜΕΤΩΠΙΣΗ ΠΡΟΒΛΗΜΑΤΩΝ	EL-16
ΕΜΠΟΡΙΚΑ ΣΗΜΑΤΑ, ΠΝΕΥΜΑΤΙΚΑ ΔΙΚΑΙΩΜΑΤΑ ΚΑΙ ΝΟΜΙΚΗ ΔΗΛΩΣΗ	EL-17
ΑΠΟΡΡΙΨΗ ΚΑΙ ΑΝΑΚΥΚΛΩΣΗ	EL-18
ΔΗΛΩΣΗ ΠΡΟΣΤΑΣΙΑΣ ΔΕΔΟΜΕΝΩΝ	EL-19

ΟΔΗΓΙΕΣ ΑΣΦΑΛΕΙΑΣ

Προβλεπόμενη χρήση

Οι παρακάτω οδηγίες ασφαλείας έχουν σκοπό να αποτρέψουν απρόβλεπτους κινδύνους ή ζημιές από μη ασφαλή ή εσφαλμένη λειτουργία της συσκευής. Ελέγξτε τη συσκευασία και τη συσκευή κατά την άφιξη για να βεβαιωθείτε ότι όλα είναι άθικτα για να διασφαλίζεται η ασφαλής λειτουργία. Εάν εντοπίσετε οποιαδήποτε ζημιά, επικοινωνήστε με τον πωλητή λιανικής ή τον αντιπρόσωπο. Λάβετε υπόψη ότι δεν επιτρέπονται τροποποιήσεις ή μετατροπές στη συσκευή για λόγους ασφαλείας. Η ακούσια χρήση μπορεί να προκαλέσει κινδύνους και απώλεια αξιών εγγύησης.

Επεξήγηση συμβόλων



Κίνδυνος

Αυτό το σύμβολο υποδεικνύει ότι υπάρχουν κίνδυνοι για τη ζωή και την υγεία των ατόμων λόγω εξαιρετικά εύφλεκτου αερίου.



Προειδοποίηση για την ηλεκτρική τάση

Αυτό το σύμβολο υποδεικνύει ότι υπάρχει κίνδυνος για τη ζωή και την υγεία των ατόμων λόγω τάσης.



Προειδοποίηση

Η ένδειξη υποδηλώνει μεσαίο επίπεδο κινδύνου που, εάν δεν αποφευχθεί, ενδέχεται να οδηγήσει σε θάνατο ή σοβαρό τραυματισμό.



Προσοχή

Η ενδεικτική λέξη υποδηλώνει χαμηλό επίπεδο κινδύνου που, εάν δεν αποφευχθεί, ενδέχεται να οδηγήσει σε μικρό ή μέτριο τραυματισμό.



Προειδοποίηση

Η ενδεικτική λέξη υποδηλώνει σημαντικές πληροφορίες (π.χ. ζημιά σε περιουσιακά στοιχεία), αλλά όχι κίνδυνο.



Τηρείτε τις οδηγίες

Αυτό το σύμβολο υποδεικνύει ότι ο χειρισμός και η συντήρηση της συσκευής πρέπει να εκτελείται από τεχνικό σέρβις μόνο σύμφωνα με τις οδηγίες λειτουργίας.

Διαβάστε προσεκτικά και με προσοχή τις παρούσες οδηγίες λειτουργίας πριν από τη χρήση/λειτουργία της συσκευής και φυλάξτε τις σε κοντά στον χώρο εγκατάστασης ή τη μονάδα για μελλοντική χρήση!

EL

Προληπτικά μέτρα για να αποφευχθεί πιθανή έκθεση σε υπερβολική ενέργεια μικροκυμάτων

- a. Μην επιχειρήσετε να λειτουργήσετε αυτό τον φούρνο με την πόρτα ανοιχτή εφόσον μπορεί να οδηγήσει σε επιβλαβή έκθεση σε ενέργεια μικροκυμάτων. Είναι σημαντικό να μην σπάσουν ούτε να υποβαθμιστούν οι διασυνδέσεις ασφαλείας.
- b. Μην τοποθετείτε κάποιο αντικείμενο ανάμεσα στην πρόσοψη του φούρνου και την πόρτα ούτε να αφήνετε να συσσωρεύονται υπολείμματα βρομιάς ή καθαριστικού στις επιφάνειες στεγάνωσης.
- c. ΠΡΟΕΙΔΟΠΟΙΗΣΗ: Αν η πόρτα ή οι αρμοί της πόρτας έχουν πάθει βλάβη, ο φούρνος δεν πρέπει να λειτουργήσει ωσότου επισκευαστεί από ένα εξειδικευμένο άτομο.

EL

Παράρτημα

Αν η συσκευή δεν διατηρείται σε καλή κατάσταση καθαριότητας, η επιφάνειά της θα μπορούσε να υποβαθμιστεί και να επηρεάσει τον κύκλο ζωής της συσκευής και να οδηγήσει σε επικίνδυνη κατάσταση.

Σημαντικές οδηγίες ασφαλείας

▲ ΠΡΟΕΙΔΟΠΟΙΗΣΗ

Για να μειωθεί ο κίνδυνος πυρκαγιάς, ηλεκτροπληξίας, τραυματισμού σε άτομα ή η έκθεση σε υπερβολική ενέργεια του φούρνου μικροκυμάτων όταν χρησιμοποιείτε τη συσκευή σας, ακολουθήστε τις βασικές προφυλάξεις, συμπεριλαμβανομένων των εξής:

- Διαβάστε και ακολουθήστε συγκεκριμένα: «ΠΡΟΛΗΠΤΙΚΑ ΜΕΤΡΑ ΓΙΑ ΝΑ ΑΠΟΦΕΥΧΘΕΙ ΠΙΘΑΝΗ ΕΚΘΕΣΗ ΣΕ ΥΠΕΡΒΟΛΙΚΗ ΕΝΕΡΓΕΙΑ ΜΙΚΡΟΚΥΜΑΤΩΝ».
- Αυτή η συσκευή δεν προορίζεται για χρήση από άτομα (συμπεριλαμβανομένων παιδιών) με μειωμένες σωματικές, αισθητηριακές ή διανοητικές ικανότητες ή έλλειψη εμπειρίας και γνώσης, εκτός και αν επιβλέπονται ή έχουν ενημερωθεί για τη χρήση της συσκευής από άτομο υπεύθυνο για την ασφάλειά τους.
- Τα παιδιά πρέπει να επιβλέπονται για να εξασφαλιστεί ότι δεν παίζουν με τη συσκευή.
- Εάν το καλώδιο ρεύματος υποστεί φθορά, μπορεί να αντικατασταθεί από τον κατασκευαστή, ένα αντιπρόσωπο σέρβις ή έναν αντίστοιχο εξειδικευμένο τεχνικό για να αποφευχθεί ο κίνδυνος.
- ΠΡΟΕΙΔΟΠΟΙΗΣΗ: Βεβαιωθείτε ότι η συσκευή είναι απενεργοποιημένη πριν αντικαταστήσετε τη λυχνία για να αποτραπεί το ενδεχόμενο ηλεκτροπληξίας.
- ΠΡΟΕΙΔΟΠΟΙΗΣΗ: Είναι επικίνδυνο για οποιονδήποτε άλλο εκτός από ένα καταρτισμένο άτομο να εκτελέσει οποιαδήποτε εργασία συντήρησης ή επισκευής η οποία περιλαμβάνει την αφαίρεση καλύμματος το οποίο παρέχει προστασία από έκθεση σε ενέργεια μικροκυμάτων.
- ΠΡΟΕΙΔΟΠΟΙΗΣΗ: Τα υγρά και τα υπόλοιπα τρόφιμα δεν πρέπει να θερμαίνονται σε σφραγισμένα δοχεία εφόσον έχουν την τάση να εκρήγνυνται.

- Όταν θερμαίνετε φαγητό σε πλαστικά ή χάρτινα δοχεία, προσέχετε τον φούρνο λόγω πιθανότητας ανάφλεξης.
- Να χρησιμοποιείτε μόνον σκεύη που είναι κατάλληλα για χρήση σε φούρνους μικροκυμάτων.
- Αν εκπέμπεται καπνός, σβήστε ή βγάλτε από την πρίζα τη συσκευή και διατηρείτε την πόρτα κλειστή ούτως ώστε να καταπνιγούν οι φλόγες.
- Η θέρμανση ποτών στον φούρνο μικροκυμάτων μπορεί να οδηγήσει σε καθυστερημένη βλάβη στο βράσιμο, συνεπώς θα πρέπει να δίδεται προσοχή κατά τον χειρισμό του δοχείου.
- Τα περιεχόμενα των μπιμπερό και των βάζων με παιδικές τροφές θα πρέπει να ανακινούνται ή να αναδεύονται και η θερμοκρασία να ελέγχεται πριν την κατανάλωση ούτως ώστε να αποφευχθούν εγκαύματα.
- Τα αβγά στο κέλυφός τους και ολόκληρα αβγά σφιχτά βρασμένα δεν θα πρέπει να θερμαίνονται σε φούρνους μικροκυμάτων καθώς μπορεί να εκραγούν ακόμα και αφού λήξει η θέρμανση στα μικροκύματα.
- Ο φούρνος θα πρέπει να καθαρίζεται τακτικά και να αφαιρούνται τυχόν κατακαθίσεις τροφίμων.
- Αδυναμία συντήρησης του φούρνου σε καθαρή κατάσταση θα μπορούσε να οδηγήσει σε φθορά της επιφάνειας που θα μπορούσε να επηρεάσει αρνητικά τη ζωή της συσκευής και πιθανόν να οδηγήσει σε επικίνδυνη κατάσταση.
- Η συσκευή δεν πρέπει να εγκαθίσταται πίσω από διακοσμητική πόρτα για να αποφευχθεί η υπερθέρμανση. (Δεν ισχύει για συσκευές με διακοσμητική πόρτα.)
- Χρησιμοποιείτε μόνο τον ανιχνευτή θερμοκρασίας που συνίσταται για αυτό τον φούρνο. (για φούρνους που διατίθενται με μία εγκατάσταση για τη χρήση ενός ανιχνευτή θερμοκρασίας.)
- Ο φούρνος μικροκυμάτων δεν τοποθετείται σε ντουλάπι, εκτός κι αν έχει δοκιμαστεί για χρήση σε ντουλάπι.

- Ο φούρνος μικροκυμάτων πρέπει να λειτουργεί με τη διακοσμητική πόρτα ανοιχτή. (για φούρνους με διακοσμητική πόρτα.)
- Η παρούσα συσκευή προορίζεται για οικιακή ή παρόμοια χρήση, όπως:
 - χώρους κουζίνας προσωπικού σε καταστήματα, γραφεία και άλλα περιβάλλοντα εργασίας,
 - από πελάτες σε ξενοδοχεία, πανδοχεία και άλλα περιβάλλοντα τύπου κατοικιών,
 - φάρμες,
 - περιβάλλοντα τύπου ξενοδοχείων όπου παρέχεται πρωινό και δωμάτια.
- Ο φούρνος μικροκυμάτων προορίζεται για τη θέρμανση του φαγητού και των ποτών. Το στέγνωμα φαγητών ή ρούχων και το ζέσταμα θερμαντικών κουβερτών, παντουφλών, σφουγγαριών, ρούχων με υγρασία και παρόμοιων, μπορεί να οδηγήσει σε κίνδυνο τραυματισμού, ανάφλεξη ή πυρκαγιά.
- Δεν επιτρέπονται μεταλλικοί περιέκτες για τρόφιμα και ροφήματα κατά το μαγείρεμα με μικροκύματα.
- Η συσκευή δεν θα πρέπει να καθαρίζεται με ατμό.
- Η συσκευή προορίζεται για χρήση σε όρθια θέση.
- Η πίσω επιφάνεια των συσκευών θα πρέπει να τοποθετείται επάνω σε τοίχο.

**ΔΙΑΒΑΣΤΕ ΠΡΟΣΕΚΤΙΚΑ ΚΑΙ ΦΥΛΑΞΤΕ ΓΙΑ
ΜΕΛΛΟΝΤΙΚΗ ΑΝΑΦΟΡΑ**

Για να μειωθεί ο κίνδυνος τραυματισμού Εγκατάσταση γείωσης

⚠ ΚΙΝΔΥΝΟΣ

Κίνδυνος Ηλεκτροπληξίας

Αγγίζοντας κάποιο από τα εσωτερικά στοιχεία μπορεί να προκληθεί σοβαρός τραυματισμός ή θάνατος. Μην αποσυναρμολογείτε αυτή τη συσκευή.

⚠ ΠΡΟΕΙΔΟΠΟΙΗΣΗ

Κίνδυνος ηλεκτροπληξίας

Η ακατάλληλη χρήση της γείωσης μπορεί να οδηγήσει σε ηλεκτροπληξία. Μην τοποθετείτε το βύσμα σε μία έξοδο μέχρι να γίνει σωστά η εγκατάσταση και η γείωση της συσκευής.

Η συσκευή πρέπει να είναι γειωμένη. Στην περίπτωση

ηλεκτρικού βραχυκυκλώματος, η γείωση μειώνει τον κίνδυνο ηλεκτροπληξίας παρέχοντας ένα καλώδιο διαφυγής για το ηλεκτρικό ρεύμα.

Αυτή η συσκευή είναι εξοπλισμένη με ένα καλώδιο που έχει ένα σύρμα γείωσης με ένα βύσμα γείωσης. Το βύσμα πρέπει να εισαχθεί σε μία έξοδο που είναι σωστά εγκατεστημένη και γειωμένη.

Συμβουλευτείτε έναν εξουσιοδοτημένο ηλεκτρολόγο ή άτομο σέρβις αν οι οδηγίες γείωσης δεν έχουν γίνει εντελώς κατανοητές ή αν υπάρχουν αμφιβολίες ως προς το αν η συσκευή είναι σωστά γειωμένη.

Αν χρειαστεί να χρησιμοποιήσετε έναν καλώδιο επέκτασης, χρησιμοποιείτε μόνον καλώδιο επέκτασης 3 συρμάτων.

- Ένα κοντό καλώδιο τροφοδοσίας διατίθεται για να μειωθούν οι κίνδυνοι που προκύπτουν από το να σκοντάψετε ή να τραβήξετε ένα πιο μακρύ καλώδιο.

- Αν χρησιμοποιείται μακρύ αποσπώμενο καλώδιο ή καλώδιο επέκτασης:
 - Η σημειωμένη ηλεκτρική βαθμονόμηση του σετ καλωδίου ή του καλωδίου επέκτασης θα πρέπει να είναι τουλάχιστον όση είναι η ηλεκτρική βαθμονόμηση της συσκευής,
 - Το καλώδιο επέκτασης πρέπει να είναι ένα καλώδιο 3 συρμάτων τύπου γείωσης.
 - Το μακρύτερο καλώδιο θα πρέπει να τακτοποιείται ούτως ώστε να μην κρέμεται πάνω από τον πάγκο ή το τραπέζι όπου μπορεί να τραβηχτεί από τα παιδιά ή να σκοντάψετε σε αυτό ακουσίως.

ΠΡΟΣΟΧΗ

Είναι επικίνδυνο για οποιονδήποτε άλλο εκτός από ένα καταρτισμένο άτομο να εκτελέσει οποιαδήποτε εργασία συντήρησης ή επισκευής η οποία περιλαμβάνει την αφαίρεση καλύμματος το οποίο παρέχει προστασία από έκθεση σε ενέργεια μικροκυμάτων.

Ανατρέξτε στις οδηγίες της ενότητας «Σκεύη που μπορείτε να χρησιμοποιείτε στον φούρνο μικροκυμάτων» ή «Σκεύη που δεν μπορείτε να χρησιμοποιείτε στον φούρνο μικροκυμάτων».

Ενδέχεται να υπάρχουν συγκεκριμένα μη μεταλλικά σκεύη τα οποία δεν είναι ασφαλή για χρήση στον φούρνο μικροκυμάτων. Αν έχετε αμφιβολίες, μπορείτε να δοκιμάσετε το σκεύος σύμφωνα με την παρακάτω διαδικασία.

EL

Δοκιμή σκεύους:

- Γεμίστε ένα δοχείο που γνωρίζετε ότι προορίζεται για χρήση σε φούρνο μικροκυμάτων με 1 φλιτζάνι κρύο νερό (250ml) μαζί με το σκεύος για το οποίο έχετε αμφιβολίες.
- Τοποθετήστε τα στον φούρνο μικροκυμάτων και θέστε τον σε λειτουργία στη μέγιστη ισχύ για 1 λεπτό.
- Αγγίξτε με προσοχή το σκεύος. Αν το άδειο σκεύος είναι ζεστό, μην το χρησιμοποιήσετε για μαγείρεμα με μικροκύματα.
- Μην ξεπεράσετε τον χρόνο του 1 λεπτού.

Σκεύη που μπορείτε να χρησιμοποιείτε στον φούρνο μικροκυμάτων

Μαγειρικά σκεύη	Παρατηρήσεις
Ταψάκι για δημιουργία κρούστας	Ακολουθείτε τις οδηγίες του κατασκευαστή. Ο πυθμένας του ταψιού πρέπει να βρίσκεται τουλάχιστον 5 χλστ. πάνω από τον περιστρεφόμενο δίσκο. Λανθασμένη χρήση μπορεί να προκαλέσει σπάσιμο του περιστρεφόμενου δίσκου.
Σερβίτσια	Μόνο αυτές που χαρακτηρίζονται ως κατάλληλες για χρήση σε μικροκύματα. Ακολουθείτε τις οδηγίες του κατασκευαστή. Μη χρησιμοποιείτε πιάτα που είναι ραγισμένα ή έχουν σπάσει στα άκρα τους.
Γυάλινα δοχεία	Αφαιρείτε πάντα το καπάκι. Χρησιμοποιήστε τα μόνο για ελαφρύ ζέσταμα φαγητού. Τα περισσότερα γυάλινα δοχεία δεν είναι ανθεκτικά στη θερμότητα και μπορεί να σπάσουν.
Γυάλινα σερβίτσια	Μόνον ποτήρια που είναι ανθεκτικά στη θερμότητα. Σιγουρευτείτε ότι δεν υπάρχει μεταλλική διακόσμηση. Μη χρησιμοποιείτε πιάτα που είναι ραγισμένα ή έχουν σπάσει στα άκρα τους.
Σακούλες για μαγείρεμα σε φούρνο	Ακολουθείτε τις οδηγίες του κατασκευαστή. Μη κλείνετε με μεταλλικά συρματάκια. Κάντε σχισμές για να μπορέσει να διαφύγει ο ατμός.
Χάρτινα πιάτα και ποτήρια	Να τα χρησιμοποιείτε μόνο για σύντομο μαγείρεμα/ζέσταμα. Μη αφήνετε τον φούρνο χωρίς επίβλεψη κατά τη διάρκεια του μαγειρέματος.
Χαρτοπετσέτες	Χρησιμοποιήστε τις για κάλυψη φαγητού για ζέσταμα και για απορρόφηση λίπους. Να τις χρησιμοποιείτε με επιτήρηση μόνο για σύντομο μαγείρεμα.
Λαδόκολλα	Να το χρησιμοποιείτε ως κάλυμμα για να αποτραπούν πιτσιλιές ή ως τύλιγμα για τους ατμούς.
Πλαστικά	Μόνο αυτές που χαρακτηρίζονται ως κατάλληλες για χρήση σε μικροκύματα. Ακολουθείτε τις οδηγίες του κατασκευαστή. Θα πρέπει να φέρει την ετικέτα «ασφαλές για μικροκύματα». Μερικά πλαστικά δοχεία μαλακώνουν, όσο τα τρώφιμα στο εσωτερικό ζεσταίνονται. Πρέπει να δημιουργούνται σχισμές, τρύπες ή ανοίγματα στις «σακούλες βρασμού» και σε σφιχτά κλεισμένες πλαστικές σακούλες όπως αναφέρεται στη συσκευασία.
Πλαστική μεμβράνη	Μόνο αυτές που χαρακτηρίζονται ως κατάλληλες για χρήση σε μικροκύματα. Να την χρησιμοποιείτε για να καλύπτετε το φαγητό κατά τη διάρκεια του μαγειρέματος ώστε να συγκρατείται η υγρασία. Μη επιτρέπετε στην πλαστική μεμβράνη να αγγίζει το τρόφιμο.
Θερμόμετρα	Μόνο αυτά που χαρακτηρίζονται ως κατάλληλα για χρήση σε μικροκύματα (θερμόμετρα για κρέας και ζαχαρωτά).
Λαδόκολλα	Χρησιμοποιείστε το ως κάλυμμα για να αποφευχθούν οι πιτσιλιές και για να κατακρατηθεί η υγρασία.

EL

Σκεύη που δεν μπορείτε να χρησιμοποιείτε στον φούρνο μικροκυμάτων

Μαγειρικά σκεύη	Παρατηρήσεις
Δίσκοι αλουμινίου	Μπορεί να προκληθεί ηλεκτρικό τόξο. Μεταφέρετε το φαγητό σε δίσκο που είναι ασφαλής για χρήση σε μικροκύματα.
Χαρτόνι φαγητού με μεταλλική λαβή	Μπορεί να προκληθεί ηλεκτρικό τόξο. Μεταφέρετε το φαγητό σε δίσκο που είναι ασφαλής για χρήση σε μικροκύματα.
Μεταλλικά σκεύη ή σκεύη με μεταλλική διακόσμηση	Το μέταλλο θωρακίζει το φαγητό από την ενέργεια των μικροκυμάτων. Η μεταλλική διακόσμηση μπορεί να προκαλέσει ηλεκτρικό τόξο.
Μεταλλικά εξαρτήματα	Μπορεί να προκληθεί ηλεκτρικό τόξο και μπορεί να προκληθεί πυρκαγιά στον φούρνο.
Χάρτινες σακούλες	Μπορεί να προκληθεί πυρκαγιά στον φούρνο.
Αφρώδες πλαστικό	Το αφρώδες πλαστικό μπορεί να λιώσει και να μολύνει το υγρό που βρίσκεται μέσα σε αυτό όταν εκτεθεί σε υψηλές θερμοκρασίες.
Ξύλο	Τα ξύλο ξεραίνεται όταν χρησιμοποιείται στον φούρνο μικροκυμάτων και μπορεί να ραγίσει ή να σπάσει στα δύο.

ΠΡΟΔΙΑΓΡΑΦΕΣ

ΜΟΝΤΕΛΟ	MM20CF2E/MM20CF2EBK
ΟΝΟΜΑΣΤΙΚΗ ΤΑΣΗ	230V~ 50Hz
ΟΝΟΜΑΣΤΙΚΗ ΕΙΣΟΔΟΣ (ΜΙΚΡΟΚΥΜΑΤΑ)	1050W
ΟΝΟΜΑΣΤΙΚΗ ΙΣΧΥΣ (ΜΙΚΡΟΚΥΜΑΤΑ)	700W

ΕΠΙΣΚΟΠΗΣΗ ΤΟΥ ΠΡΟΪΟΝΤΟΣ

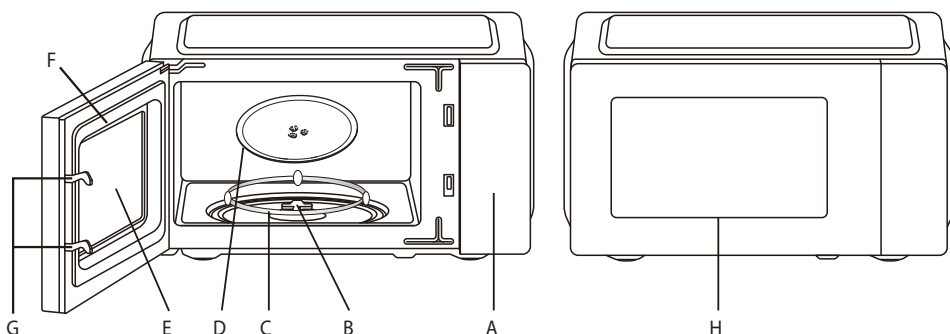
Ονόματα ανταλλακτικών και αξεσουάρ του φούρνου

Σε περίπτωση διαφορών μεταξύ της συσκευής και των εικόνων στο παρόν εγχειρίδιο, υπερισχύει το προϊόν.

Αφαιρέστε τον φούρνο και όλα τα υλικά από το χαρτοκιβώτιο και τον θάλαμο του φούρνου.

Ο φούρνος διαθέτει τα εξής εξαρτήματα:

Γυάλινο δίσκο	1
Διάταξη περιστρεφόμενης πλάκας	1
Εγχειρίδιο οδηγιών	1

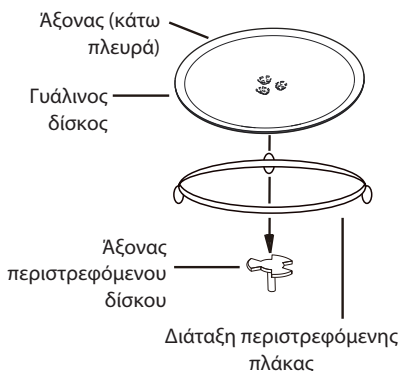


- A) Πίνακας ελέγχου
- B) Άξονας περιστροφής
- C) Διάταξη της περιστρεφόμενης πλάκας
- D) Γυάλινος δίσκος

- E) Παράθυρο παρατήρησης
- F) Συγκρότημα πόρτας
- G) Κλείστρο ασφαλείας
- H) Πόρτα

EL

Εγκατάσταση περιστρεφόμενης πλάκας



- a. Ποτέ μην τοποθετείτε τον γυάλινο δίσκο ανάποδα. Ο γυάλινος δίσκος δεν πρέπει ποτέ να περιορίζεται.
- b. Τόσο ο γυάλινος δίσκος όσο και η περιστρεφόμενη διάταξη του δίσκου πρέπει να χρησιμοποιούνται πάντα κατά το μαγείρεμα.
- c. Όλες οι τροφές και τα δοχεία τροφίμων τοποθετούνται πάντα στον γυάλινο δίσκο για μαγείρεμα.
- d. Εάν ραγίσει ή σπάσει η διάταξη του γυάλινου δίσκου ή ο γυάλινος δίσκος, επικοινωνήστε με το πλησιέστερο εξουσιοδοτημένο κέντρο σέρβις.

ΕΓΚΑΤΑΣΤΑΣΗ ΤΟΥ ΠΡΟΪΟΝΤΟΣ

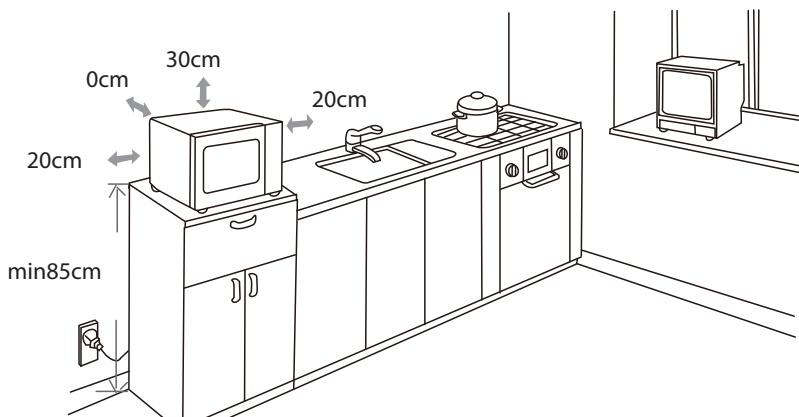
Εγκατάσταση σε πάγκο

Αφαιρέστε όλα τα υλικά συσκευασίας και τα εξαρτήματα. Εξετάστε τον φούρνο για τυχόν ζημιές, όπως βαθουλώματα ή σπασμένη πόρτα. Μην κάνετε εγκατάσταση του φούρνου εάν υπάρχει φθορά στη συσκευασία. Ερμάριο: Αφαιρέστε τυχόν προστατευτική μεμβράνη που βρίσκεται στην επιφάνεια του ερμαρίου του φούρνου μικροκυμάτων.

Μην αφαιρέτε το κάλυμμα κυματοδηγού που είναι προσαρτημένο στον θάλαμο του φούρνου για να προστατεύει το μάγνητρο.

Εγκατάσταση

1. Επιλέξτε μια επίπεδη επιφάνεια που παρέχει αρκετό ανοιχτό χώρο για τους αεραγωγούς εισόδου ή/και εξόδου.



- Το ελάχιστο ύψος εγκατάστασης είναι 85 εκατ..
- Η πίσω επιφάνεια της συσκευής πρέπει να τοποθετείται σε τοίχο. Αφήστε ένα ελάχιστο διάκενο 30 εκατ. πάνω από τον φούρνο. Απαιτείται ελάχιστο διάκενο 20 εκατ. μεταξύ του φούρνου και τυχόν παρακείμενων τοίχων.
- Μην αφαιρέτε τα πόδια από τον πάτο του φούρνου.
- Το μπλοκάρισμα των ανοιγμάτων εισόδου ή/και εξόδου μπορεί να προκαλέσει ζημιά στον φούρνο.
- Τοποθετήστε τον φούρνο όσο το δυνατόν πιο μακριά από ραδιόφωνα και τηλεόραση. Η λειτουργία του φούρνου μικροκυμάτων μπορεί να προκαλέσει παρεμβολές στη λήψη του ραδιοφώνου ή της τηλεόρασής σας.

2. Συνδέστε τον φούρνο σας με τυπική πρίζα οικιακής χρήσης. Βεβαιωθείτε ότι η τάση και η συχνότητα είναι ίδιες με την τάση και τη συχνότητα στην ετικέτα αξιολόγησης.

⚠ ΠΡΟΕΙΔΟΠΟΙΗΣΗ

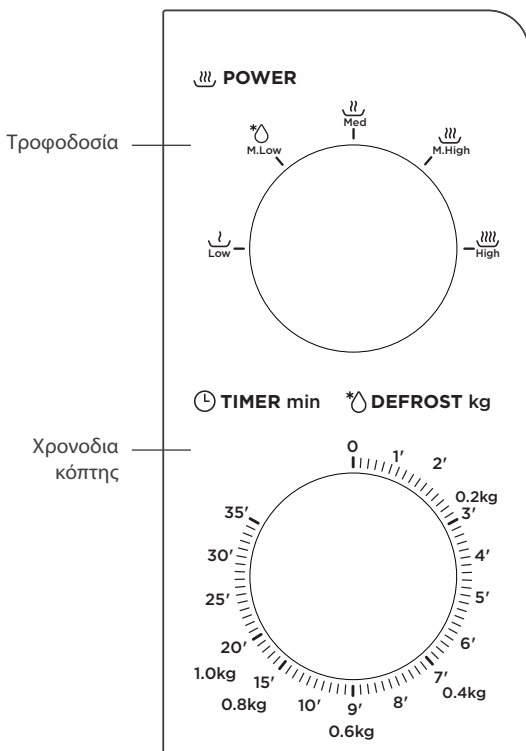
Μην τοποθετείτε τον φούρνο πάνω από εστίες μαγειρέματος ή άλλη συσκευή παραγωγής θερμότητας. Εάν εγκατασταθεί κοντά ή πάνω από μια πηγή θερμότητας, ο φούρνος μπορεί να υποστεί ζημιά και η εγγύηση δεν θα ισχύει.

Κατά τη χρήση ενδέχεται κάποια εξαρτήματά του να είναι ζεστά.



ΟΔΗΓΙΕΣ ΧΡΗΣΗΣ

Πίνακας ελέγχου και λειτουργίες



1. Ρυθμίστε λειτουργίες γυρίζοντας το κουμπί τροφοδοσίας στο επιθυμητό επίπεδο.
2. Ρυθμίστε τον χρόνο μαγειρέματος γυρίζοντας τον χρονοδιακόπτη στην επιθυμητή ώρα σύμφωνα με τον οδηγό μαγειρέματος του φαγητού.
3. Μόλις ρυθμιστεί η λειτουργία και η θερμοκρασία ο φούρνος ξεκινά αυτόματα το μαγείρεμα.
4. Όταν τελειώσει ο χρόνος μαγειρέματος, η μονάδα βγάζει έναν ήχο και σταματά.
5. Εάν δεν χρησιμοποιείται η μονάδα, ρυθμίστε την ώρα στην αρχική θέση.

EL

Λειτουργία/Ισχύς	Παραγωγή	Εφαρμογή
Low	17% των μικροκυμάτων	Μαλάκωμα παγωτού
M.Low	33% των μικροκυμάτων	Ζέσταμα σούπας, μαλάκωμα βουτύρου ή απόψυξη
Med	55% των μικροκυμάτων	Βραστό κρέας, ψάρι
M.High	77% των μικροκυμάτων	Ρύζι, ψάρι, κοτόπουλο, κιμάς
High	100% των μικροκυμάτων	Ξαναζέσταμα, γάλα, βράσιμο νερού, λαχανικά, ρόφημα

ΣΗΜΕΙΩΣΗ Βεβαιωθείτε ότι η τροφοδοσία του φούρνου είναι απενεργοποιημένη όταν αφαιρείτε τις τροφές από τον φούρνο, στρέφοντας τον χρονοδιακόπτη στην αρχική θέση. Σε αντίθετη περίπτωση, η λειτουργία του φούρνου μικροκυμάτων χωρίς φαγητό σε αυτόν, μπορεί να οδηγήσει σε υπερθέρμανση και ζημιά στο μάγνητρο.

ΚΑΘΑΡΙΣΜΟΣ ΚΑΙ ΣΥΝΤΗΡΗΣΗ

Αποσυνδέστε τη συσκευή από την παροχή ρεύματος.

- Καθαρίστε τον θάλαμο του φούρνου μετά τη χρήση με ένα ελαφρώς υγρό πανί.
- Καθαρίστε τα εξαρτήματα με τον συνήθη τρόπο σε σαπουνόνερο.
- Το πλαίσιο της πόρτας, η τσιμούχα και τα γειτονικά μέρη πρέπει να καθαρίζονται προσεκτικά με ένα υγρό πανί όταν είναι βρόμικα.
- Μη χρησιμοποιείτε σκληρά λειαντικά καθαριστικά ή αιχμηρές μεταλλικές ξύστρες για να καθαρίσετε το γυαλί της πόρτας του φούρνου, γιατί αυτά μπορεί να γρατσουνίσουν την επιφάνεια, γεγονός που μπορεί να οδηγήσει σε θραύση του γυαλιού.
- Συμβουλή καθαρισμού – Για ευκολότερο καθαρισμό των τοιχωμάτων του θαλάμου που μπορεί να αγγίξει το μαγειρεμένο φαγητό:
Τοποθετήστε μισό λεμόνι σε ένα μπολ, προσθέστε 300 ml (1/2 πίντα) νερό και θερμάνετε σε 100% ισχύ μικροκυμάτων για 10 λεπτά. Για να καθαρίσετε τη μονάδα σκουπίστε την με ένα μαλακό, στεγνό πανί.

ΑΝΤΙΜΕΤΩΠΙΣΗ ΠΡΟΒΛΗΜΑΤΩΝ


Είναι φυσιολογικό

Ο φούρνος κάνει παρεμβολές στη λήψη της τηλεόρασης	Κατά τη λειτουργία του φούρνου μικροκυμάτων μπορεί να υπάρξουν παρεμβολές στο ραδιόφωνο και την τηλεόραση. Είναι παρόμοιο με την παρεμβολή μικρών ηλεκτρικών συσκευών, όπως μίξερ, ηλεκτρική σκούπα και ηλεκτρικός ανεμιστήρας. Δεν υπάρχει πρόβλημα.
Αχνό φως φούρνου	Όταν μαγειρεύετε σε φούρνο μικροκυμάτων χαμηλής ισχύος, το φως του φούρνου μπορεί να χαμηλώσει. Δεν υπάρχει πρόβλημα.
Συσσώρευση ατμού στην πόρτα, ζεστός αέρας από τους αεραγωγούς	Στο μαγείρεμα, μπορεί να βγει ατμός από τα τρόφιμα. Ο περισσότερος ατμός βγαίνει από τους αεραγωγούς. Αλλά μια ποσότητα μπορεί να συσσωρευτεί σε δροσερό μέρος όπως η πόρτα του φούρνου. Δεν υπάρχει πρόβλημα.
Ο φούρνος ξεκίνησε κατά λάθος χωρίς φαγητό.	Απαγορεύεται η λειτουργία της μονάδας χωρίς φαγητό στο εσωτερικό της. Είναι πολύ επικίνδυνο.

Πρόβλημα	Πιθανή αιτία	Επίλυση
Δεν είναι δυνατή η εκκίνηση του φούρνου.	• Το καλώδιο τροφοδοσίας δεν είναι καλά συνδεδεμένο.	• Αποσυνδέστε την πρίζα. Στη συνέχεια, συνδέστε ξανά μετά από 10 δευτερόλεπτα.
	• Έχει καεί η ασφάλεια ή έχει αποσυνδεθεί ο διακόπτης κυκλώματος.	• Αντικαταστήστε την ασφάλεια ή επαναφέρετε τον διακόπτη κυκλώματος (επισκευάστηκε από επαγγελματικό προσωπικό της εταιρείας μας)
	• Πρόβλημα με την πρίζα.	• Ελέγξτε την πρίζα σε άλλες ηλεκτρικές συσκευές.
Ο φούρνος δεν θερμαίνεται.	• Η πόρτα δεν έχει κλείσει καλά.	• Κλείστε την πόρτα καλά.

EL

ΕΜΠΟΡΙΚΑ ΣΗΜΑΤΑ, ΠΝΕΥΜΑΤΙΚΑ ΔΙΚΑΙΩΜΑΤΑ ΚΑΙ ΝΟΜΙΚΗ ΔΗΛΩΣΗ

 Midea® λογότυπο, οι λέξεις των διαφόρων σημάτων, η εμπορική ονομασία, το εμπορικό περιτύλιγμα και όλες οι εκδόσεις τους αποτελούν πολύτιμα περιουσιακά στοιχεία του Ομίλου Midea ή/και των θυγατρικών του (εφεξής «Midea»), στα οποία η Midea κατέχει εμπορικά σήματα, πνευματικά δικαιώματα και άλλα δικαιώματα πνευματικής ιδιοκτησίας, καθώς και όλο το καλό όνομα που προκύπτει από τη χρήση οποιουδήποτε μέρους ενός εμπορικού σήματος Midea. Η χρήση του εμπορικού σήματος Midea για εμπορικούς σκοπούς χωρίς την προηγούμενη γραπτή συγκατάθεση της Midea μπορεί να συνιστά παραβίαση του εμπορικού σήματος ή αθέμιτο ανταγωνισμό κατά παράβαση των σχετικών νόμων.

Αυτό το εγχειρίδιο δημιουργήθηκε από τη Midea και η Midea διατηρεί όλα τα πνευματικά του δικαιώματα. Κανένα νομικό ή φυσικό πρόσωπο δεν μπορεί να χρησιμοποιήσει, να αντιγράψει, να τροποποιήσει, να διανείμει εν όλω ή εν μέρει το παρόν εγχειρίδιο ή να το συνδυάσει ή να το πουλήσει με άλλα προϊόντα χωρίς την προηγούμενη γραπτή συγκατάθεση της Midea.

Όλες οι περιγραφόμενες λειτουργίες και οδηγίες ήταν ενημερωμένες κατά τη στιγμή εκτύπωσης αυτού του εγχειριδίου. Ωστόσο, το προϊόν αυτό καθεαυτό μπορεί να διαφέρει λόγω βελτιωμένων λειτουργιών και σχεδίων.

ΑΠΟΡΡΙΨΗ ΚΑΙ ΑΝΑΚΥΚΛΩΣΗ

Σημαντικές οδηγίες για το περιβάλλον

Συμμόρφωση με την Οδηγία για Απόβλητα Ηλεκτρικού και Ηλεκτρονικού Εξοπλισμού (ΑΗΗΕ) και απόρριψη του προϊόντος:

Αυτό το προϊόν συμμορφώνεται με την Οδηγία ΑΗΗΕ της ΕΕ (2012/19/ΕΕ). Αυτό το προϊόν φέρει ένα σύμβολο ταξινόμησης για άχρηστο ηλεκτρικό και ηλεκτρονικό εξοπλισμό (ΑΗΗΕ).

Αυτό το σύμβολο υποδεικνύει ότι αυτό το προϊόν δεν πρέπει να απορρίπτεται μαζί με άλλα οικιακά απορρίμματα στο τέλος της διάρκειας ζωής του. Η χρησιμοποιημένη συσκευή πρέπει να επιστραφεί στο επίσημο σημείο συλλογής για ανακύκλωση ηλεκτρικών και ηλεκτρονικών συσκευών. Για να βρείτε αυτά τα συστήματα συλλογής, επικοινωνήστε με τις τοπικές αρχές ή τον πωλητή λιανικής όπου αγοράσατε το προϊόν. Κάθε νοικοκυριό παίζει σημαντικό ρόλο στη συλλογή και την ανακύκλωση παλιών συσκευών. Η κατάλληλη απόρριψη χρησιμοποιημένων συσκευών συμβάλλει στην αποτροπή ενδεχόμενων αρνητικών συνεπειών για το περιβάλλον και την υγεία του ανθρώπου.



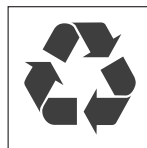
EL

Συμμόρφωση με την Οδηγία για περιορισμό της χρήσης επικίνδυνων ουσιών (RoHS)

Το προϊόν που αγοράσατε συμμορφώνεται με την Οδηγία RoHS της ΕΕ (2011/65/ΕΕ). Δεν περιέχει επιβλαβή και απαγορευμένα υλικά που καθορίζονται στην Οδηγία.

Πληροφορίες συσκευασίας

Τα υλικά συσκευασίας του προϊόντος κατασκευάζονται από ανακυκλώσιμα υλικά σύμφωνα με τους Εθνικούς Περιβαλλοντικούς μας Κανονισμούς. Μη πετάτε τα υλικά συσκευασίας μαζί με τα οικιακά ή άλλα απορρίμματα. Μεταφέρετέ τα στα σημεία συλλογής υλικών συσκευασίας που έχουν ορίσει οι τοπικές αρχές.



ΔΗΛΩΣΗ ΠΡΟΣΤΑΣΙΑΣ ΔΕΔΟΜΕΝΩΝ

Για την παροχή των υπηρεσιών που έχουν συμφωνηθεί με τον πελάτη, συμφωνούμε να συμμορφωνόμαστε χωρίς περιορισμούς με όλους τους όρους της ισχύουσας νομοθεσίας περί προστασίας δεδομένων, σε συνδυασμό με τις χώρες που έχουν συμφωνήσει, εντός των οποίων θα παρέχονται οι υπηρεσίες στον πελάτη, καθώς και, όπου ισχύει, με τον Γενικό Κανονισμό Προστασίας Δεδομένων της ΕΕ (GDPR).

Γενικά, η επεξεργασία των δεδομένων που εκτελούμε συνίσταται στην εκπλήρωση της υποχρέωσής μας βάσει της σύμβασης μαζί σας και για λόγους ασφάλειας των προϊόντων, καθώς και στην προστασία των δικαιωμάτων σας σε σχέση με θέματα εγγύησης και καταχώρισης προϊόντων. Σε ορισμένες περιπτώσεις, αλλά μόνο εάν διασφαλίζεται η κατάλληλη προστασία δεδομένων, τα προσωπικά δεδομένα ενδέχεται να διαβιβαστούν σε παραλήπτες που βρίσκονται εκτός του Ευρωπαϊκού Οικονομικού Χώρου.

Περαιτέρω πληροφορίες παρέχονται κατόπιν αιτήματος. Μπορείτε να επικοινωνήσετε με τον Υπεύθυνο Προστασίας Δεδομένων στο **MideaDPO@midea.com**. Για να ασκήσετε τα δικαιώματά σας, όπως το δικαίωμα αντίρρησης για την επεξεργασία των προσωπικών σας δεδομένων για σκοπούς άμεσου μάρκετινγκ, επικοινωνήστε μαζί μας στο **MideaDPO@midea.com**. Για περισσότερες πληροφορίες, ακολουθήστε τον κώδικα QR που έχετε.



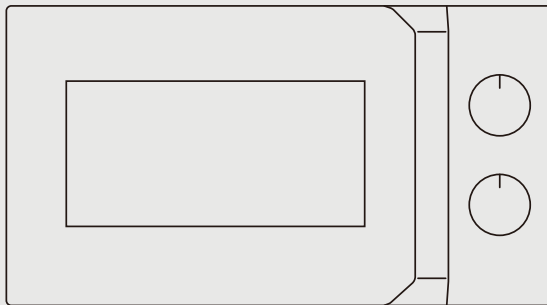
make yourself at home

EL



www.midea.com

© Midea 2024 all rights reserved



PT

FORNO MICRO-ONDAS

MANUAL DO UTILIZADOR

**MM20CF2E
MM20CF2EBK**

Avisos: Antes de utilizar este produto, leia atentamente este manual e guarde-o para futura referência. O design e especificações são sujeitos a alterações para melhoria do produto sem aviso prévio. Consulte o seu revendedor ou fabricante para mais detalhes. O diagrama acima é apenas para referência. Tome a aparência do produto real como padrão.

CARTA DE AGRADECIMENTOS

Obrigado por escolher a Midea! Antes de utilizar o seu novo produto Midea, leia atentamente este manual para se assegurar que está informado sobre como operar as características e funções que o seu novo aparelho oferece de uma forma segura.

CONTEÚDOS

CARTA DE AGRADECIMENTOS	PT-01
INSTRUÇÕES DE SEGURANÇA	PT-02
ESPECIFICAÇÕES	PT-11
VISÃO GLOBAL DO PRODUTO	PT-12
MONTAGEM DO PRODUTO	PT-13
INSTRUÇÕES DE OPERAÇÃO	PT-14
LIMPEZA E MANUTENÇÃO	PT-15
RESOLUÇÃO DE PROBLEMAS	PT-16
MARCAS, DIREITOS DE AUTOR E DECLARAÇÃO LEGAL	PT-17
ELIMINAÇÃO E RECICLAGEM	PT-18
AVISO DE PROTEÇÃO DE DADOS	PT-19

INSTRUÇÕES DE SEGURANÇA

Utilização Pretendida

As seguintes diretrizes de segurança destinam-se a prevenir riscos ou danos imprevistos decorrentes do funcionamento inseguro ou incorreto do aparelho. Inspeccione a embalagem e o aparelho à chegada para ter a certeza de que tudo está intacto para garantir um funcionamento seguro. Se encontrar algum dano, contacte o revendedor. Note que não são permitidas modificações ou alterações ao aparelho para a sua segurança. A utilização não intencional pode causar perigos e perda de garantias.

Explicação dos Símbolos



Perigo

Este símbolo indica que existem perigos para a vida e saúde das pessoas devido ao gás extremamente inflamável.



Aviso de voltagem elétrica

Este símbolo indica que existe um perigo para a vida e saúde das pessoas devido à voltagem.



Aviso

A palavra de sinalização indica um perigo com nível de risco médio que, se não for evitado, pode resultar em morte ou ferimentos graves.



Cuidado

A palavra de sinalização indica um perigo com nível de risco baixo que, se não for evitado, pode resultar em ferimentos leves ou moderados.



Atenção

A palavra de sinalização indica informação importante (por ex., danos à propriedade), mas não perigo.



Siga as instruções

Este símbolo indica que um técnico de serviço deve unicamente operar e realizar a manutenção este aparelho em conformidade com as instruções de funcionamento.

Leia estas instruções de utilização com cuidado e atenção antes de utilizar/comissionar a unidade e mantenha-as nas imediações do local de montagem ou unidade para utilização posterior!

Precauções para evitar uma possível exposição a uma energia de microondas excessiva

- a. Não tente utilizar este forno com a porta aberta, uma vez que tal pode resultar numa exposição nociva à energia de microondas. É importante não danificar ou manipular os bloqueios de segurança.
- b. Não coloque nenhum objeto entre a face frontal do forno e a porta nem permita a acumulação de sujidade ou resíduos de produtos de limpeza nas superfícies de vedação.
- c. AVISO: Se a porta ou os selamentos da porta estiverem danificados, o forno não deve ser operado até ser reparado por uma pessoa competente.

Aditamento

PT

Se o aparelho não for mantido num bom estado de limpeza, a sua superfície pode degradar-se, afetar a sua vida útil e provocar uma situação perigosa.

Instruções de Segurança Importantes

⚠ AVISO

Para reduzir o risco de incêndio, choque elétrico, ferimentos em pessoas ou exposição a energia excessiva do forno microondas quando utilizar o seu aparelho, siga as precauções básicas, incluindo as seguintes:

- Ler e seguir as instruções específicas:
“PRECAUÇÕES PARA EVITAR UMA POSSÍVEL EXPOSIÇÃO A UMA ENERGIA DE MICROONDAS EXCESSIVA”.
- Este aparelho não é recomendado para utilização por pessoas (incluindo crianças) com capacidades físicas, sensoriais ou mentais reduzidas, ou falta de experiência e conhecimento, a menos que tenham supervisão ou tenham sido instruídas sobre a utilização do aparelho pela pessoa responsável pela sua segurança.
- As crianças devem ser supervisionadas para assegurar que não brincam com o aparelho.
- Se o cabo de alimentação estiver danificado, deve ser substituído pelo fabricante, agente de assistência ou pessoas qualificadas semelhantes para evitar perigos.(Para aparelhos com fixação tipo Y).
- AVISO: Assegure-se que o aparelho está desligado antes de substituir a lâmpada para evitar a possibilidade de choque elétrico.
- AVISO: É perigoso para qualquer pessoa que não uma pessoa competente realizar operações de assistência ou reparação que envolva a remoção da tampa que protege contra a exposição à energia microondas.

- AVISO: Os líquidos e outros alimentos não devem ser aquecidos em recipientes fechados, pois podem explodir.
- Quando aquecer alimentos em recipientes de plástico ou de papel, mantenha-se atento ao forno devido à possibilidade de ignição.
- Utilize unicamente utensílios adequados para utilização em fornos microondas.
- Em caso de emissão de fumo, desligue o aparelho ou retire a ficha da tomada e mantenha a porta fechada para abafar as chamas.
- O aquecimento de bebidas por microondas pode resultar numa ebulição eruptiva retardada, pelo que é necessário ter cuidado ao manusear o recipiente.
- O conteúdo dos biberões e dos frascos de alimentos para bebés deve ser agitado e a temperatura deve ser verificada antes do consumo, a fim de evitar queimaduras.
- Os ovos com casca e os ovos cozidos inteiros não devem ser aquecidos em fornos microondas, uma vez que podem explodir, mesmo depois de terminado o aquecimento no microondas.
- O forno deve ser limpo regularmente e quaisquer depósitos de alimentos devem ser removidos.
- A falha de manter o forno limpo pode conduzir à deterioração da superfície a qual pode afectar adversamente o funcionamento do aparelho e possivelmente resultar em situações perigosas.
- O aparelho não deve ser instalado atrás de uma porta de decoração para evitar sobreaquecimento. (Não se aplica a aparelho com porta de decoração.)
- Utilize unicamente a sonda de temperatura recomendada para este forno. (para fornos equipados com um dispositivo de utilização de uma sonda sensível à temperatura).

- O forno microondas não deve ser colocado num armário a menos que tenha sido testado num armário.
- O forno microondas deve ser utilizado com a porta decorativa aberta. (para fornos com uma porta decorativa).
- Este aparelho deve ser utilizado em aplicações domésticas e semelhantes como:
 - áreas de cozinhas para funcionários em lojas, escritórios e outros ambientes de trabalho;
 - por clientes em hotéis, motéis e outros ambientes residenciais;
 - quintas;
 - em ambientes tipo cama e pequeno-almoço.
- O forno microondas deve ser utilizado para aquecimento de alimentos e bebidas. A secagem de alimentos ou de vestuário e o aquecimento de almofadas térmicas, chinelos, esponjas, panos húmidos e similares podem provocar o risco de ferimentos, ignição ou incêndio.
- Não são permitidos recipientes metálicos para alimentos e bebidas durante a cozedura no microondas.
- O aparelho não deve ser limpo com um limpador a vapor.
- O aparelho destina-se a ser utilizado de forma independente.
- A superfície traseira dos aparelhos deve ser encostada a uma parede.

**LEIA ATENTAMENTE AS INSTRUÇÕES E
GUARDE-AS PARA FUTURA REFERÊNCIA.**

Para reduzir o risco de ferimentos em pessoas **Instalação de ligação à terra**

⚠ PERIGO

Perigo de choque elétrico

O contacto com alguns dos componentes internos pode provocar lesões pessoais graves ou a morte. Não desmonte este aparelho.

⚠ AVISO

Perigo de choque elétrico

A utilização incorreta da ligação à terra pode resultar em choque elétrico.

Não ligar a uma tomada até que o aparelho esteja corretamente instalado e ligado à terra.

Este aparelho deve ser ligado à terra. No caso de um curto-circuito elétrico, a ligação à terra reduz o risco de choque elétrico, fornecendo um fio de fuga para a corrente elétrica.

Este aparelho está equipado com um cabo com um fio de ligação à terra e uma ficha de ligação à terra. A ficha deve ser ligada a uma tomada corretamente instalada e ligada à terra.

Consulte um electricista ou um técnico qualificado se as instruções de ligação à terra não forem completamente compreendidas ou se existirem dúvidas sobre se o aparelho está devidamente ligado à terra.

Se for necessário utilizar um cabo de extensão, utilize apenas um cabo de extensão de 3 fios.

- É fornecido um cabo de alimentação curto para reduzir os riscos resultantes de ficar emaranhado ou tropeçar num cabo mais comprido.
- Se for utilizado um conjunto de cabos longos ou uma extensão:
 - A classificação elétrica marcada do conjunto de cabos ou da extensão deve ser, pelo menos, tão elevada como a classificação elétrica do aparelho.
 - O cabo de extensão deve ser um cabo de 3 fios com ligação à terra.
 - O cabo longo deve ser disposto de forma a não ficar pendurado sobre a bancada ou o tampo da mesa, onde pode ser puxado por crianças ou tropeçar involuntariamente.

Utensílios

⚠ CUIDADO

É perigoso para qualquer pessoa que não uma pessoa competente realizar operações de assistência ou reparação que envolva a remoção da tampa que protege contra a exposição à energia microondas. Consulte as instruções sobre "Materiais que podem ser utilizados no forno microondas ou que devem ser evitados no forno microondas".

Alguns utensílios não metálicos podem não ser seguros para utilização no microondas. Em caso de dúvida, pode testar o utensílio em questão seguindo o procedimento abaixo.

Teste de utensílios:

- Encha um recipiente próprio para microondas com 1 chávena de água fria (250 ml) e o utensílio em questão.
- Cozinhe na potência máxima durante 1 minuto.
- Apalpe cuidadosamente o utensílio. Se o utensílio vazio estiver quente, não o utilize para cozinhar no microondas.
- Não ultrapasse o tempo de cozedura de 1 minuto.

PT

Materiais que podem ser utilizados no forno microondas

Utensílios	Observações
Prato para dourar	Seguir as instruções do fabricante. O fundo do prato de dourar deve estar pelo menos 3/16 polegadas (5 mm) acima do prato giratório. Uma utilização incorreta pode provocar a quebra do prato giratório.
Serviço de jantar	Adequado apenas para microondas. Seguir as instruções do fabricante. Não utilizar pratos rachados ou lascados.
Frascos de vidro	Retirar sempre a tampa. Utilizar apenas para aquecer alimentos até ficarem quentes. A maior parte dos frascos de vidro não são resistentes ao calor e podem partir-se.
Artigos de vidro	Apenas objetos de vidro resistentes ao calor. Certifique-se de que não existem guarnições metálicas. Não utilizar pratos rachados ou lascados.
Sacos para cozer no forno	Seguir as instruções do fabricante. Não fechar com uma braçadeira metálica. Realizar cortes para permitir a saída do vapor.
Pratos e copos de papel	Utilizar apenas para cozedura/aquecimento de curta duração. Não deixar o forno sem vigilância enquanto estiver a cozinhar.
Papel de cozinha	Utilizar para cobrir os alimentos para os reaquecer e absorver a gordura. Utilizar com supervisão apenas para uma cozedura de curta duração.
Papel vegetal	Utilizar como cobertura para evitar salpicos ou como invólucro para cozer a vapor.
Plástico	Adequado apenas para microondas. Seguir as instruções do fabricante. Deve ser rotulado como "Seguro para microondas". Alguns recipientes de plástico amolecem à medida que os alimentos lá dentro aquecem. Os "sacos de ebulição" e os sacos de plástico bem fechados devem ser cortados, perfurados ou ventilados de acordo com as instruções da embalagem.
Película aderente	Adequado apenas para microondas. Utilizar para cobrir os alimentos durante a cozedura para reter a humidade. Não deixar que a película de plástico toque nos alimentos.
Termómetros	Adequados apenas para microondas. (termómetros para carne e doces).
Papel encerado	Utilizar como cobertura para evitar salpicos e reter a humidade.

PT

Materiais a evitar no forno microondas

Utensílios	Observações
Tabuleiro de alumínio	Pode provocar arcos elétricos. Transferir os alimentos para um prato próprio para microondas.
Caixa de cartão para alimentos com pega metálica	Pode provocar arcos elétricos. Transferir os alimentos para um prato próprio para microondas.
Utensílios de metal ou com guarnições de metal	O metal protege os alimentos da energia do microondas. As guarnições metálicas podem provocar arcos elétricos.
Abraçadeiras metálicas	Podem provocar arcos elétricos e causar um incêndio na câmara de cozimento.
Sacos de papel	Pode provocar um incêndio no forno.
Espuma de plástico	A espuma de plástico pode derreter ou contaminar o líquido no seu interior quando exposta a temperaturas elevadas.
Madeira	A madeira seca quando utilizada no forno microondas e pode partir-se ou rachar.

ESPECIFICAÇÕES

MODELO	MM20CF2E/MM20CF2EBK
VOLTAGEM CLASSIFICADA	230V- 50Hz
ENTRADA NOMINAL (MICROONDAS)	1050W
POTÊNCIA NOMINAL (MICROONDAS)	700W

VISÃO GLOBAL DO PRODUTO

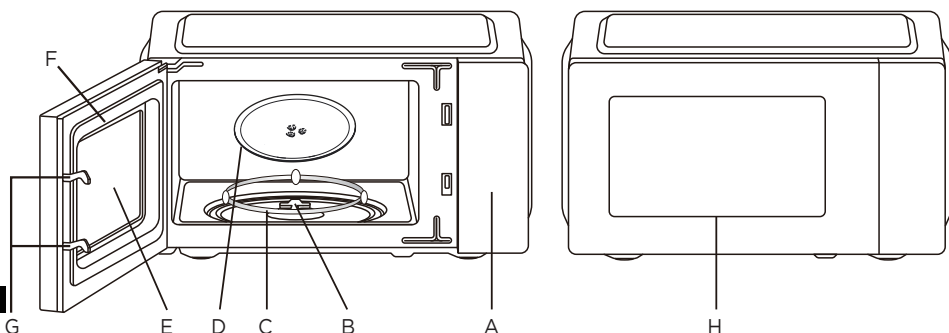
Nomes das Peças e Acessórios do Forno

Em caso de diferenças entre o aparelho e as imagens deste manual, prevalece o produto.

Remova o forno e todos os materiais da caixa e cavidade do forno.

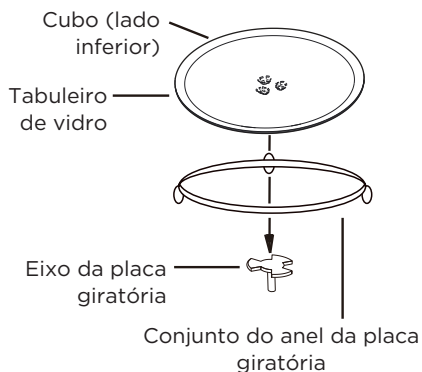
O seu forno vem com os acessórios seguintes:

Tabuleiro de vidro	1
Conjunto do anel da placa giratória	1
Manual de Instruções	1



- A) Painel de controlo
B) Eixo do prato giratório
C) Conjunto do anel da placa giratória
D) Tabuleiro de vidro
E) Janela de observação
F) Montagem da porta
G) Sistema de bloqueio de segurança
H) Porta

Instalação da placa giratória



- Nunca coloque o tabuleiro de vidro ao contrário. O tabuleiro de vidro nunca deve estar restrito.
- O tabuleiro de vidro e a montagem do anel giratório devem ser sempre utilizados quando cozinhar.
- Toda a comida e recipientes devem ser sempre colocados no tabuleiro de vidro para cozinhar.
- Se o tabuleiro de vidro ou a montagem do anel giratório racharem ou partirem, entre em contacto com o seu centro de serviço autorizado mais próximo.

MONTAGEM DO PRODUTO

Instalação na Bancada

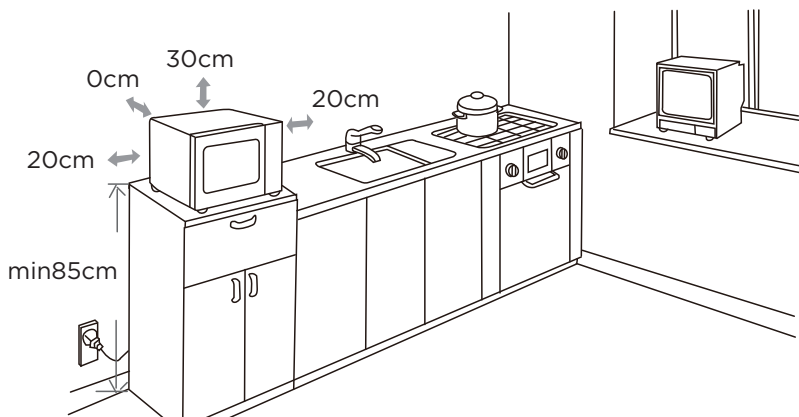
Remova todo o material da embalagem e acessórios. Verifique se o forno tem danos, como amolgadelas ou porta partida. Não instale se o forno estiver danificado.

Revestimento: Remova todas as películas protectoras da superfície do revestimento do forno microondas.

Não retire a tampa da guia de ondas que está fixada na cavidade do forno para proteger o magnetrão.

Instalação

1. Selecione uma superfície nivelada que forneça espaço aberto suficiente para as aberturas de entrada e/ou saída.



PT

- A altura de instalação mínima é de 85cm.
 - A superfície traseira do aparelho deve ser encostada a uma parede. Deixe um espaço mínimo de 30cm acima do forno, é necessário um espaço mínimo de 20cm entre o forno e as paredes adjacentes.
 - Não remova as pernas de fundo do forno.
 - O bloqueio das aberturas de entrada e/ou saída pode danificar o forno
 - Coloque o forno o mais longe possível de rádios e TV. A operação do forno microondas pode causar interferência ao seu rádio ou recepção de TV.
2. Ligue o seu forno a uma tomada doméstica padrão. Certifique-se que a voltagem e a frequência são as mesmas que a voltagem e frequência na etiqueta de classificação.

⚠ AVISO

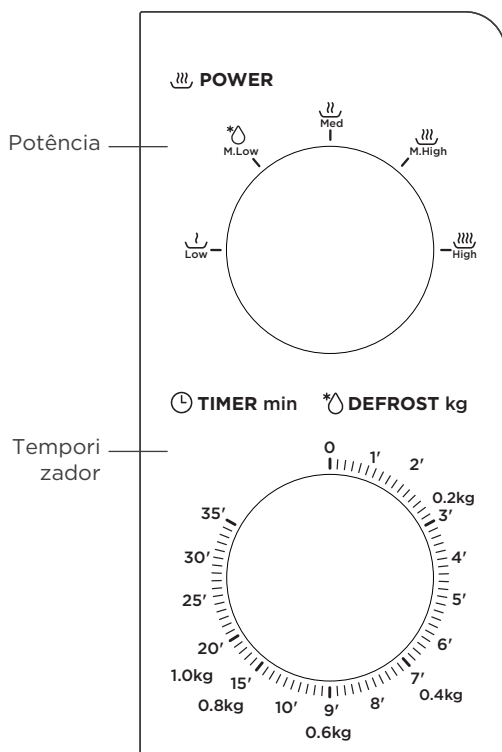
Não instale o forno em cima de fogões ou outros aparelhos que produzam calor. Se instalado perto ou sobre uma fonte de calor, o forno pode ser danificado e a garantia será anulada.

A superfície acessível pode ficar quente durante a operação.



INSTRUÇÕES DE OPERAÇÃO

Painel de Controle e Funções



1. Para definir a potência de cozinhar rodando o botão de energia para o nível desejado.
2. Para definir o tempo de cozimento rodando o botão do temporizador para o tempo desejado conforme o seu guia de cozimento.
3. O forno microondas começa a cozinhar automaticamente após o nível de energia e hora serem definidos.
4. Após o tempo terminar, a unidade vai “Dong” para parar.
5. Se a unidade não estiver a ser utilizada, regule sempre a hora para a posição inicial.

Função/Potência	Saída	Aplicação
Low	17% micro.	Gelado suave
*M.Low	33% micro.	Estufado de sopa, manteiga suave ou descongelar
Med	55% micro.	Estufado, peixe
M.High	77% micro.	Arroz, peixe, frango, carne picada
High	100% micro.	Reaquecer, leite, ferver água, vegetais, bebidas

NOTA Quando retirar os alimentos da câmara de cozimento, certifique-se de que a alimentação da câmara de cozimento está desligada, rodando o interruptor do temporizador para a posição inicial. Caso contrário e se operar o forno microondas sem comida dentro, poderá resultar em sobreaquecimento e danos no magnetron.

LIMPEZA E MANUTENÇÃO

Certifique-se de que desliga o aparelho da corrente elétrica.

- Limpar a cavidade do forno após a utilização com um pano ligeiramente humedecido.
- Limpar os acessórios da forma habitual, com água e sabão.
- O caixilho e a vedação da porta, bem como as peças adjacentes, devem ser cuidadosamente limpos com um pano húmido quando estiverem sujos.
- Não utilize limpadores abrasivos fortes ou esponjas de metal afiadas para limpar o vidro da porta do forno uma vez que podem arranhar a superfície, e assim resultar na quebra do vidro.
- Conselho de limpeza---Para uma limpeza mais fácil das paredes da cavidade onde os alimentos cozinhados podem tocar:
Colocar meio limão numa tigela, adicionar 300 ml (1/2 litro) de água e aquecer a 100% na potência do microondas durante 10 minutos. Limpar a câmara de cozimento com um pano macio e seco.

RESOLUÇÃO DE PROBLEMAS


Normal

O forno microondas interfere na recepção de televisão	A recepção de rádio e televisão pode sofrer interferências durante o funcionamento do microondas. É semelhante à interferência de pequenos aparelhos elétricos, como a batedeira, o aspirador e a ventoinha elétrica. É normal.
Luz do forno fraca	Quando se cozinha no microondas de baixa potência, a luz do forno pode tornar-se fraca. É normal.
Acumulação de vapor na porta, saída de ar quente pelas aberturas de ventilação	Durante a cozedura, pode sair vapor dos alimentos. A maioria sai pelos respiradouros. Mas alguns podem acumular-se em locais frios como a porta do forno. É normal.
O forno começou a funcionar acidentalmente sem alimentos lá dentro.	É proibido fazer funcionar o aparelho sem alimentos no seu interior. É muito perigoso.

Problema	Causa Possível	Solução
O forno não pode ser ligado.	• O cabo de alimentação não está bem ligado à tomada.	• Desligue a ficha. Depois, volte a ligar a ficha após 10 segundos.
	• O fusível está a queimar ou o disjuntor está a funcionar.	• Substitua o fusível ou repor o disjuntor (reparado por pessoal profissional da nossa empresa)
	• Problemas com a tomada.	• Teste a tomada com outros aparelhos elétricos.
O forno não aquece.	• A porta não está bem fechada.	• Feche bem a porta.

PT

MARCAS, DIREITOS DE AUTOR E DECLARAÇÃO LEGAL

 **Midea** logotipo, marcas nominativas, nome comercial, imagem comercial e todas as suas versões são bens valiosos do Midea Group e/ou das suas filiais ("Midea"), aos quais a Midea é proprietária de marcas registadas, direitos de autor e outros direitos de propriedade intelectual, e todo o fundo de comércio derivado da utilização de qualquer parte de uma marca registada da Midea. A utilização da marca registada Midea para fins comerciais sem o consentimento prévio por escrito da Midea pode constituir uma infração à marca registada ou uma concorrência desleal em violação da legislação pertinente.

Este manual foi criado pela Midea e a Midea reserva-se todos os direitos de autor do mesmo. Nenhuma entidade ou indivíduo pode utilizar, duplicar, modificar, distribuir no todo ou em parte este manual, ou agrupar ou vender com outros produtos sem o prévio consentimento escrito da Midea.

Todas as funções e instruções descritas estavam atualizadas no momento da impressão deste manual. No entanto, o produto real pode variar devido a funções e desenhos melhorados.

PT

ELIMINAÇÃO E RECICLAGEM

Conformidade com a Diretiva REEE e Eliminação do Produto Residual:

Este produto cumpre com a Diretiva UE WEEE (2012/19/UE). Este produto possui um símbolo de classificação para resíduos de equipamento elétrico e eletrônico (WEEE).

Este símbolo indica que este produto não deve ser eliminado juntamente com outros lixos domésticos no final da sua vida útil.

O dispositivo utilizado deve ser devolvido ao ponto de recolha oficial para reciclagem de dispositivos eletrônicos e elétricos.

Para encontrar estes sistemas de recolha, entre em contacto com as autoridades locais ou o retalhista onde o produto foi adquirido. Cada um desempenha um papel importante na recuperação e reciclagem de aparelhos antigos. A eliminação adequada de aparelhos utilizados ajuda a prevenir potenciais consequências negativas para o ambiente e a saúde humana.



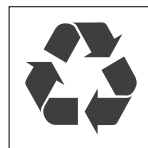
PT

Conformidade com a Diretiva RoHS

O produto que você adquiriu está em conformidade com a Diretiva RoHS da UE (2011/65/UE). Não contém materiais nocivos e proibidos especificados na Diretiva.

Informação da embalagem

Os materiais da embalagem do produto são fabricados a partir de materiais recicláveis, em conformidade com a nossa Regulamentação Nacional do Ambiente. Não elimine os materiais da embalagem juntamente com os resíduos domésticos ou outros resíduos. Entregue-os aos pontos de recolha de material de embalagem designados pelas autoridades locais.



AVISO DE PROTEÇÃO DE DADOS

Para a prestação dos serviços acordados com o cliente, concordamos em cumprir sem restrições todas as estipulações da lei de proteção de dados aplicável, em conformidade com os países acordados dentro dos quais os serviços ao cliente serão prestados, bem como, quando aplicável, o Regulamento Geral de Proteção de Dados da UE (GDPR).

Geralmente, o nosso processamento de dados serve para cumprir com a nossa obrigação sob contrato consigo e por razões de segurança do produto, para salvaguardar os seus direitos em relação a questões de garantia e registo do produto. Em alguns casos, mas apenas se for assegurada uma proteção de dados adequada, os dados pessoais poderão ser transferidos para destinatários localizados fora do Espaço Económico Europeu.

Mais informações são fornecidas a pedido. Pode contactar o nosso responsável pela proteção de dados através de **MideaDPO@midea.com**. Para exercer os seus direitos, tais como o direito de oposição ao processamento dos seus dados pessoais para fins de marketing direto, contacte-nos para **MideaDPO@midea.com**. Para mais informações, siga o Código QR.

PT

PT

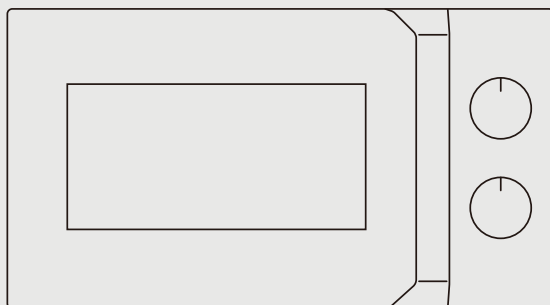


make yourself at home



www.midea.com

© Midea 2024 all rights reserved



CZ

MIKROVLNNÁ TROUBA

NÁVOD K POUŽITÍ

MM20CF2E
MM20CF2EBK

Výstražná upozornění: Před použitím tohoto produktu si pozorně přečtěte tento návod a uschovejte jej pro budoucí použití. Design a specifikace se mohou změnit bez předchozího upozornění z důvodu zlepšování produktu. Podrobnosti vám poskytne váš prodejce nebo výrobce. Výše uvedený diagram slouží pouze jako reference. Vezměte prosím vzhled skutečného výrobku jako standard.

DĚKOVNÝ DOPIS

Děkujeme, že jste si vybrali společnost Midea! Před zahájením používání nového výrobku Midea si důkladně přečtete tento návod, abyste se ujistili, že víte, jak bezpečně ovládat vlastnosti a funkce, které váš nový spotřebič nabízí.

OBSAH

DĚKOVNÝ DOPIS	CZ-01
BEZPEČNOSTNÍ POKYNY	CZ-02
SPECIFIKACE	CZ-11
PŘEHLED PRODUKTU	CZ-12
INSTALACE PRODUKTU	CZ-13
NÁVOD K OBSLUZE	CZ-14
ČIŠTĚNÍ A ÚDRŽBA	CZ-15
ŘEŠENÍ PROBLÉMŮ	CZ-16
OCHRANNÉ ZNÁMKY, AUTORSKÁ PRÁVA A PRÁVNÍ PROHLÁŠENÍ	CZ-17
LIKVIDACE A RECYKLACE	CZ-18
OZNÁMENÍ O OCHRANĚ OSOBNÍCH ÚDAJŮ	CZ-19

BEZPEČNOSTNÍ POKYNY

Určené použití

Následující bezpečnostní pokyny mají zabránit nepředvídaným rizikům nebo škodám způsobeným nebezpečným nebo nesprávným provozem spotřebiče. Při příjezdu zkontrolujte obal a spotřebič, zda je vše neporušené, abyste zabezpečili bezpečný provoz. Pokud zjistíte jakékoli poškození, obraťte se na prodejce. Upozorňujeme, že úpravy nebo změny na spotřebiči nejsou z důvodu vaší bezpečnosti povoleny. Neúmyslné používání může způsobit nebezpečí a ztrátu nároků na záruku.

Vysvětlení symbolů



Nebezpečí

Tento symbol upozorňuje na nebezpečí ohrožení života a zdraví osob v důsledku extrémně hořlavého plynu.



Upozornění na elektrické napětí

Tento symbol označuje nebezpečí ohrožení života a zdraví osob v důsledku elektrického napětí.



Varování

Signální slovo označuje nebezpečí se střední úrovní rizika, které může mít za následek smrt nebo vážné zranění, pokud se mu nevyhnete.



Výstraha

Signální slovo označuje nebezpečí s nízkým stupněm rizika, které může způsobit lehké nebo středně těžké zranění, pokud se mu nevyhnete.



Pozor

Signální slovo označuje důležitou informaci (např. škodu na majetku), ale ne nebezpečí.



Dodržujte pokyny

Tento symbol označuje, že servisní technik musí tento spotřebič obsluhovat a udržívat pouze v souladu s návodem k obsluze.

Před použitím/uvedením přístroje do provozu si pečlivě a pozorně přečtěte tento návod k obsluze a uschovejte jej v bezprostřední blízkosti místa instalace nebo přístroje pro pozdější použití!

Opatření Pro Zabránění Možnému Vystavení Nadměrné Mikrovlnné Energii

- a. Nepokoušejte se používat tuto troubu s otevřenými dveřmi, protože to může mít za následek škodlivé působení mikrovlnné energie. Je důležité, abyste nepoškodili ani nemanipulovali s bezpečnostními zámkami.
- b. Nepokládejte žádné předměty mezi čelní stěnu a dvířka trouby nebo nedopusťte, aby se zbytky špíny nebo čisticího prostředku nahromadily na těsnicích plochách.
- c. UPOZORNĚNÍ: Pokud jsou dvířka nebo těsnění dvířek poškozené, nepoužívejte troubu, dokud nebude opravena kvalifikovanou osobou.

Dodatek

Pokud přístroj není udržován v dobrém stavu a čistý, jeho povrch se může znehodnotit, má to vliv na životnost zařízení a vede k nebezpečným situacím.

CZ

⚠ VAROVÁNÍ

Z důvodu snížení rizika požáru, úrazu elektrickým proudem, zranění osob nebo jejich vystavení nadměrné mikrovlnné energii, při používání spotřebiče dodržujte základní bezpečnostní opatření, včetně následujících:

- Přečtěte si a dodržujte zejména: "OPATŘENÍ PRO ZABRÁNĚNÍ MOŽNÉMU VYSTAVENÍ NADMĚRNÉ MIKROVLNNÉ ENERGII".
- Tento spotřebič není určen pro používání osobami (včetně dětí) s omezenými fyzickými, smyslovými nebo duševními schopnostmi, nebo nedostatkem zkušeností a znalostí, pokud nejsou pod dohledem nebo jim nebyly zařazeny instrukce týkající se použití přístroje osobou zodpovědnou za jejich bezpečnost.
- Děti by měly být pod dozorem, aby si nehrály s tímto přístrojem.
- Pokud je napájecí kabel poškozen, musí být vyměněn výrobcem, servisním technikem nebo podobně kvalifikovanou osobou, aby nedošlo k úrazu.
- UPOZORNĚNÍ: Před výměnou lampy se ujistěte, že je zařízení vypnuto, abyste zabránili úrazu elektrickým proudem.
- UPOZORNĚNÍ: Pro jiné, než kompetentní osoby je nebezpečné provádět jakoukoli údržbu nebo opravy, které zahrnují odstranění krytu, který poskytuje ochranu před vystavením mikrovlnné energii.
- UPOZORNĚNÍ: Tekutiny a jiné potraviny se nesmějí ohřívat v uzavřených nádobách, protože jsou náchylné k explozi.
- Při ohřívání potravin v plastových nebo papírových nádobách, sledujte troubu vzhledem k možnosti vznícení.
- Používejte pouze nádobí, který je vhodný pro použití v mikrovlnných troubách.

- V případě vzniku kouře spotřebič vypněte nebo odpojte ze zásuvky a nechte dvířka zavřená, aby se plameny udusily.
- Mikrovlnný ohřev nápojů může vyústit do opožděného varu; proto při manipulaci s nádobou si dávejte pozor.
- Obsah kojeneckých lahví a nádob s dětským jídlem promíchejte nebo protřepejte a před spotřebou zkontrolujte jejich teplotu, aby nedošlo k popálení.
- V mikrovlnné troubě neohřívejte vejce ve skořápce a celá natvrdo uvařená vejce, protože mohou explodovat, a to i po skončení mikrovlnného ohřevu.
- Troubu pravidelně čistěte a odstraňujte jakékoliv zbytky jídla.
- Pokud nebudete udržovat troubu v čistém stavu, může dojít k poškození povrchu, což by mohlo nepříznivě ovlivnit životnost zařízení a případně vést k nebezpečným situacím.
- Aby se zabránilo přehřátí, spotřebič nesmí být instalován za dekorativní dveře. (To neplatí pro spotřebiče s ozdobnými dvířky.)
- Používejte pouze teplotní sondu doporučený pro tuto troubu. (pro trouby opatřeny zařízením pro použití tepelné sondy).
- Mikrovlnná trouba nesmí být umístěna ve skříni, pokud nebyla ve skřínce testována.
- Mikrovlnnou troubu provozujte s otevřenými dekorativními dveřmi. (pro trouby s dekorativními dveřmi.)
- Toto zařízení je určeno pro použití v domácnosti a v podobných podmínkách, jako jsou například:
 - kuchyňské místnosti pro personál v obchodech, kancelářích a jiných pracovních prostředích;
 - pro potřeby zákazníků v hotelech, motelech a jiných typech bytových zařízení;
 - farmové domy;
 - bytovací zařízení typu bed and breakfast;

- Mikrovlnná trouba je určena pro ohřev jídel a nápojů. Sušení potravin nebo oděvů a ohřev oteplovacích podložek, pantoflí, houbiček, vlhkého hadříku a podobně může vést k riziku poranění, vznícení nebo požáru.
- Během mikrovlnného pečení nejsou povoleny kovové nádoby na jídlo a nápoje.
- Spotřebič se nesmí čistit parním čističem.
- Spotřebič je určen k používání jako volně stojící.
- Zadní plocha spotřebičů musí být umístěna u zdi.

**POZORNĚ SI PŘEČTĚTE A USCHOVEJTE PRO BUDOUCÍ
POUŽITÍ**

Pro Snížení Rizika Zranění Osob Instalace Uzemnění

⚠ NEBEZPEČÍ

Nebezpečí úrazu elektrickým proudem:

Dotýkání se některých vnitřních součástí může způsobit vážné zranění nebo smrt. Spotřebič nerozebírejte.

⚠ VAROVÁNÍ

Nebezpečí úrazu elektrickým proudem:

Nesprávně použité uzemnění může způsobit úraz elektrickým proudem. Nezapojte do zásuvky, dokud spotřebič není správně nainstalován a uzemněn.

Tento spotřebič musí být uzemněn. V případě elektrického zkratu uzemnění snižuje riziko úrazu elektrickým proudem tím, že poskytuje únikové vedení pro elektrický proud.

CZ Tento spotřebič je vybaven kabelem, který má uzemňovací drát s uzemňovací zástrčkou. Zástrčku zapojte do zásuvky, která je správně nainstalována a uzemněna.

V případě, že jste pokyny pro uzemnění nepochopili úplně, nebo pokud existuje pochybnost o tom, zda je zařízení správně uzemněno, poraďte se s kvalifikovaným elektrikářem nebo servisním technikem.

V případě potřeby použijte prodlužovací kabel, použijte pouze 3-žilový prodlužovací kabel.

- Krátký napájecí kabel je k dispozici pro snížení rizika zamotání nebo zakopnutí o delší kabel.
- Pokud je použit dlouhý kabel nebo prodlužovací kabel:

- Označený elektrický výkon kabelu nebo prodlužovacího kabelu musí být alespoň tak velký jako elektrický výkon zařízení.
- Prodlužovací kabel musí být 3 žilový kabel s uzemněním.
- Dlouhý kabel uspořádejte tak, aby nevisel přes hranu pultu nebo stolu, kde ji mohou stáhnout děti nebo do něj neúmyslně zakopnout.

Nádobí

VÝSTRAHA

Pro jiné, než kompetentní osoby je nebezpečné provádět jakoukoli údržbu nebo opravy, které zahrnují odstranění krytu, který poskytuje ochranu před vystavením mikrovlnné energii. Viz pokyny v "Materiály, které můžete používat v mikrovlnné troubě", nebo „Materiály, které nesmíte používat v mikrovlnné troubě“.

Existují určité nekovové nádobí, které nejsou bezpečné pro použití v mikrovlnné troubě. V případě pochybností, můžete otestovat kuchyňské nádobí níže uvedeným postupem.

Test Nádobí:

- Naplňte nádobu určenou do mikrovlnné trouby s 1 šálkem studené vody (250 ml), spolu s testovaným kuchyňským nádobím.
- Vařte na maximálním výkonu po 1 minutu.
- Opatrně chyťte nádobí. Pokud je nádobí teplý, nepoužívejte ho k vaření v mikrovlnné troubě.
- Nepřekračujte dobu vaření 1 min.

CZ

Materiály, které můžete používat v mikrovlnné troubě

Kuchyňské nářadí	Poznámky
Nádobí na browning	Postupujte podle pokynů výrobce. Spodní část hliněného nádobí musí mít alespoň 3/16 palce (5 mm) nad otočným stolem. Nesprávné použití může způsobit prasknutí talíře.
Stolní nádobí	Pouze určený do mikrovlnné trouby. Postupujte podle pokynů výrobce. Nepoužívejte naprasklé nebo otlučené nádobí.
Skleněné poháry	Vždy odstraňte víčko. Používejte pouze k ohřevu jídla, dokud není teplé. Většina sklenic neodolává teplotám a může prasknout.
Skleněné nádobí	Jen tepelně odolné skleněné nádobí určené do trouby. Ujistěte se, že nejsou na ní žádné kovové části. Nepoužívejte naprasklé nebo otlučené nádobí.
Kapsy na vaření v troubě	Postupujte podle pokynů výrobce. Nezavírejte s kovovou smyčkou. Udělejte zářezy, aby mohla unikat pára.
Papírové talíře a skleničky	Použijte pouze pro krátkodobé pečení/ohřev. Během pečení troubu nenechávejte bez dozoru.
Papírové utěrky	Použijte pro zakrytí jídla pro přehřívání a absorbování tuku. Použití s dozorem pouze pro krátkodobé pečení.
Pergamenový papír	Použijte jako obal pro zabránění šplouchání nebo jako obal pro napařování.
Plast	Pouze určený do mikrovlnné trouby. Postupujte podle pokynů výrobce. Pouze označen jako "Microwave Safe" (Bezpečné pro použití v mikrovlnné troubě). Některé plastové nádoby změknou, když se jídlo uvnitř zahřeje. "Varné sáčky" a neprodyšně uzavřené plastové sáčky by měly být předěravělé nebo ventilované podle doporučení na balení.
Plastový obal	Pouze určený do mikrovlnné trouby. Použijte pro zakrytí jídla během pečení, pro zachování šťavnatosti. Dávejte pozor, aby se plastový obal nedotýkal jídla.
Teploměry	Pouze Microwave-safe (bezpečné pro užití v mikrovlnné troubě) (teploměry pro určení teploty masa a sladkosti).
Voskovaný papír	Použijte pro zakrytí pokrmu pro zabránění stříkání a uchování vlhkosti.

CZ

Materiály, které nesmíte používat v mikrovlnné troubě

Kuchyňské nářadí	Poznámky
Hliníkový podnos	Může způsobit jiskření. Přeložte jídlo do misky mikrovlnné trouby.
Krabice na potraviny s kovovou rukojetí	Může způsobit jiskření. Přeložte jídlo do misky mikrovlnné trouby.
Kovové nebo pokovené kuchyňské nářadí	Kov brání přístupu mikrovlnné energie k jídlu. Kov může způsobit jiskření.
Kovové drátky	Mohou způsobit jiskření, elektrický výboj a požár v troubě.
Papírové sáčky	Může v troubě způsobit požár.
Umělohmotná pěna	Umělohmotná pěna když je vystavena vysokým teplotám, se může rozpustit nebo kontaminovat tekutinu v jejím nitru.
Dřevo	Dřevo při použití v mikrovlnné troubě vyschne a může se štěpit nebo praskat.

SPECIFIKACE

MODEL	MM20CF2E/MM20CF2EBK
JMENOVITÉ NAPĚTÍ	230V~ 50Hz
JMENOVITÝ PŘÍKON (MIKROVLNA)	1050W
JMENOVITÝ VÝKON (MIKROVLNA)	700W

PŘEHLED PRODUKTU

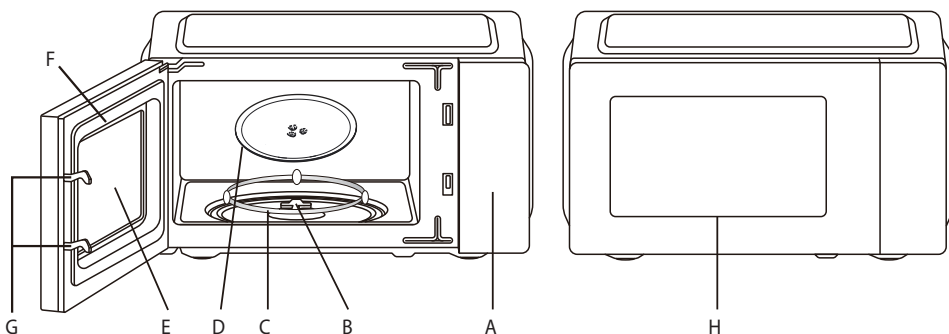
Názvy částí trouby a příslušenství

V případě jakýchkoli rozdílů mezi spotřebičem a obrázkem v tomto návodu je rozhodující výrobek

Vyjměte troubu a všechny materiály z obalu a z vnitřku trouby.

Vaše trouba je dodávána s následujícím příslušenstvím:

Skleněný podnos	1
Kruhová podsada talíře	1
Návod k použití	1

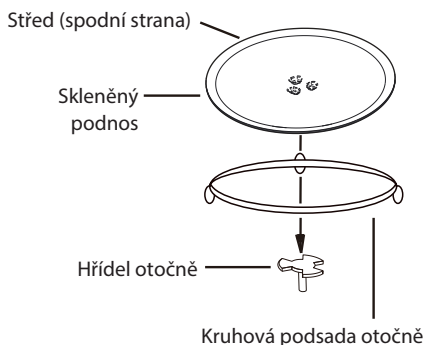


- A) Ovládací panel
- B) Hřídel talíře
- C) Montáž kruhové podsady talíře
- D) Skleněný podnos

- E) Pozorovací okénko
- F) Nastavení dveří
- G) Bezpečnostní blokovací systém
- H) Dvířka

CZ

Instalace otočně



- a. Nikdy neumísťujte skleněný podnos vzhůru nohama. Skleněný podnos nesmí být omezován.
- b. Při vaření musí být vždy použity skleněný podnos i kruhová podsada pod talíř.
- c. Všechno jídlo a nádoby s jídlem musí být při vaření položeno na skleněném podnose.
- d. Pokud skleněný podnos nebo kruhová podsada talíře praskne nebo se rozbije, obraťte se na nejbližšího pověřeného obchodního zástupce.

INSTALACE PRODUKTU

Instalace na pracovní desku

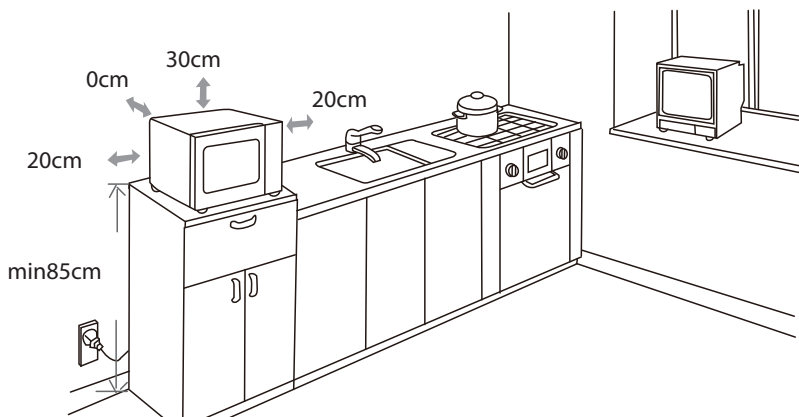
Odstraňte veškerý obalový materiál a příslušenství. Zkontrolujte troubu pro zjištění jakýchkoliv poškození jako jsou vtlaky nebo rozbité dveře. Neinstalujte troubu, pokud je poškozena.

Skříň: Odstraňte ochrannou fólii z povrchu skříně mikrovlnné trouby.

Neodstraňujte kryt vlnovodu, který je připojen k troubě pro ochranu magnetronu.

Instalace

1. Vyberte rovný povrch, který poskytne dostatek otevřeného prostoru pro sací a/nebo výstupní otvory.



- Minimální instalační výška je 85 cm.
- Zadní plocha spotřebiče musí být umístěna u stěny.
Nad troubou ponechte minimální volný prostor 30 cm, mezi troubou a jakýmkoliv sousedními stěnami je nutná minimální vzdálenost 20 cm.
- Neodstraňujte nožičky ze spodní části trouby.
- Blokování nasávacích a / nebo výstupních otvorů může poškodit troubu.
- Troubu umístěte co nejdále od rádií a TV. Provoz mikrovlnné trouby může způsobit rušení vašeho rozhlasového nebo televizního příjmu.

2. Vaší troubu zapojte do standardní domácí zásuvky. Ujistěte se, že napětí a frekvence jsou stejné jako napětí a frekvence na typovém označení.

VAROVÁNÍ

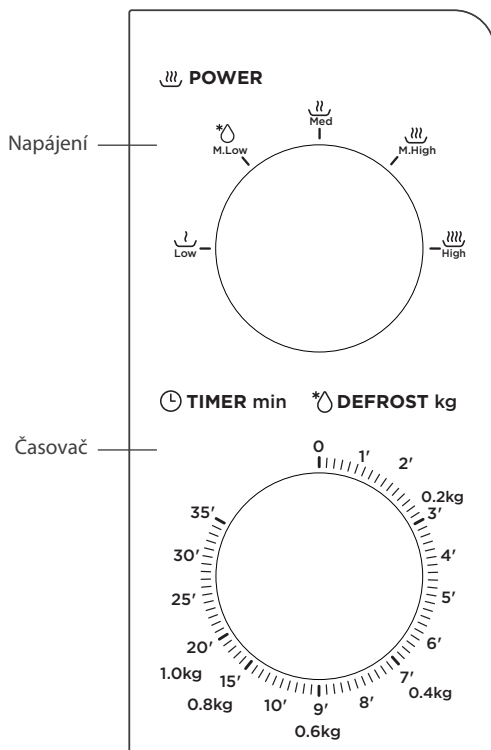
Neinstalujte troubu na horní panel sporáku nebo jiné zařízení vytvářející teplo. Při instalaci v blízkosti tepelného zdroje nebo nad ním se trouba může poškodit a záruka se zneplatní.

Přístupné části se při používání mohou zahřívat.



NÁVOD K OBSLUZE

Ovládací panel a funkce



1. Výkon vaření nastavíte otočením knoflíku výkonu na požadovanou úroveň.
2. Čas vaření nastavíte otočením knoflíku časovače na požadovaný čas podle pokynů průvodce vařením.
3. Mikrovlnná trouba začne automaticky vařit po nastavení úrovně výkonu a času.
4. Po uplynutí doby vaření jednotka vydá hlas "cinknutí" a zastaví se.
5. Pokud přístroj nepoužíváte, nastavte čas vždy do výchozí polohy.

CZ

Funkce / Výkon	Výstup	Aplikace
Low	17% mikro.	Změknutí zmrzliny
*M.Low	33% mikro.	Dušená polévka, změknutí nebo rozmrazení másla
Med	55% mikro.	Dušené maso, ryby
M.High	77% mikro.	Rýže, ryby, kuřecí maso, mleté maso
High	100% mikro.	Ohřívání, mléko, vaření vody, zeleniny, nápojů

POZOR

Při vyjímání pokrmu z trouby se ujistěte, že je napájení trouby vypnuto otočením spínače- časovače do výchozí polohy. Pokud tak neučiníte a budete mikrovlnnou troubu používat bez jídla, může to mít za následek přehřátí a poškození magnetronu.

ČIŠTĚNÍ A ÚDRŽBA

Ujistěte se, že spotřebič je odpojen od elektrické sítě.

- Po použití dutiny trouby vyčistěte mírně navlhčeným hadříkem.
- Vyčistěte příslušenství obvyklým způsobem v mýdlové vodě.
- Dveřní rám, izolace a sousední části, když jsou špinavé, důkladně vyčistěte vlhkým hadrem.
- Nepoužívejte drsné abrazivní čisticí prostředky nebo ostré kovové škrabky na čištění skla dvířek trouby, protože mohou poškrábat povrch, což může vést k rozbití skla.
- Tip na čištění --- Pro snadnější čištění stěn dutiny, znečištěné vařeným jídlem: Umístěte půl citronu v misce, přidejte 300 ml (1/2 pinta) vody a zahřejte mikrovlnnou troubu na 100% výkon po dobu 10 minut. Otřete troubu pomocí měkkého, suchého hadříku.

ŘEŠENÍ PROBLÉMŮ


Obvyklé

Mikrovltná trouba ruší příjem televizního signálu	Přijem rozhlasového a TV signálu může být při provozu mikrovltné trouby rušen. Je to obdobné rušení malých elektrických zařízení jako mixéru, vysavače nebo fénu. To je normální.
Slabé světlo trouby.	Při mikrovltném vaření s nízkým výkonem se může světlo zeslabit. To je normální.
Na dveřích se akumuluje pára, z ventilačních otvorů vychází horký vzduch.	Při vaření se může z jídla uvolňovat pára. Většina je odvedena ventilačními otvory. Část se však může akumulovat na chladnějším místě jakým jsou např. dvířka trouby. To je normální.
Trouba byla omylem spuštěna bez jídla uvnitř.	Je zakázáno provozovat zařízení bez jídla uvnitř. To je velmi nebezpečné.

Problém	Možná příčina	Odstranění
Troubu nelze spustit.	• Napájecí kabel není pevně zapojen.	• Odpojte ho. Potom ho po 10 sekundách znovu zapojte.
	• Vypadla pojistka nebo se vypnul jistič proudu.	• Nahraďte pojistku nebo zapněte jistič proudu (opraven odborným personálem naší společnosti)
	• Problémy se zásuvkou.	• Vyzkoušejte zásuvku s jinými elektrickými zařízeními.
Trouba nehřeje.	• Dvířka nejsou dobře zavřená.	• Řádně zavřete dvířka.

CZ

OCHRANNÉ ZNÁMKY, AUTORSKÁ PRÁVA A PRÁVNÍ PROHLÁŠENÍ

 Midea logo, slovní značky, obchodní název, obchodní styl a všechny jejich verze jsou cenným majetkem společnosti Midea Group a/nebo jejích přidružených společností ("Midea"), ke kterým společnost Midea vlastní ochranné známky, autorská práva a jiná práva duševního vlastnictví, jakož i veškerý goodwill vyplývající z používání jakékoli části ochranné známky Midea. Používání ochranné známky Midea ke komerčním účelům bez předchozího písemného souhlasu společnosti Midea může představovat porušení ochranné známky nebo nekalou soutěž v rozporu s příslušnými zákony.

Tuto příručku vytvořila společnost Midea a vyhrazuje si všechna autorská práva. Žádný subjekt ani jednotlivec nesmí používat, kopírovat, upravovat, distribuovat tento návod jako celek nebo jeho část, ani jej spojovat nebo prodávat s jinými produkty bez předchozího písemného souhlasu společnosti Midea.

Všechny popsané funkce a pokyny byly aktuální v době tisku této příručky. Skutečný výrobek se však může lišit v důsledku vylepšených funkcí a designu.

LIKVIDACE A RECYKLACE

Důležité pokyny pro životní prostředí

Soulad se směrnicí o OEEZ a likvidace odpadu:

Tento výrobek je v souladu se směrnicí EU o OEEZ (2012/19/EU). Tento výrobek je označen klasifikačním symbolem pro odpad z elektrických a elektronických zařízení (OEEZ).

Tento symbol označuje, že tento výrobek se po skončení životnosti nesmí likvidovat spolu s jiným odpadem z domácnosti. Použité zařízení musí být předáno na oficiálním sběrném místě pro recyklaci elektrických elektronických zařízení. Chcete-li vědět více o tomto systému sběru, obraťte se na místní úřady nebo prodejce, u kterého jste výrobek zakoupili. Každá domácnost hraje důležitou roli při zhodnocování a recyklaci starých spotřebičů. Vhodná likvidace použitého spotřebiče pomáhá předcházet možným negativním důsledkům pro životní prostředí a lidské zdraví.



Soulad se směrnicí RoHS

Výrobek, který jste si zakoupili, je v souladu se směrnicí EU o RoHS (2011/65/EU). Neobsahuje škodlivé a zakázané materiály uvedené ve směrnici.

CZ

INFORMACE o balení

Obalové materiály výrobku jsou vyrobeny z recyklovatelných materiálů v souladu s našimi národními environmentálními předpisy. Obalové materiály nevyhazujte spolu s domácím nebo jiným odpadem. Odneste je na místa sběru obalových materiálů určená místními úřady.



OZNÁMENÍ O OCHRANĚ OSOBNÍCH ÚDAJŮ

Na poskytování služeb dohodnutých se zákazníkem, souhlasíme s tím, že budeme bez omezení dodržovat všechna ustanovení platných právních předpisů o ochraně osobních údajů v souladu s dohodnutými zeměmi, ve kterých budou služby zákazníkovi poskytovány, jakož i případně obecné nařízení EU o ochraně údajů (GDPR).

Obecně údaje zpracováváme, abychom splnili naše smluvní závazky vůči vám a z důvodů bezpečnosti výrobku, ochrany vašich práv v souvislosti s otázkami týkajícími se záruky a registrace výrobku. V některých případech, ale pouze pokud je zajištěna přiměřená ochrana údajů, mohou být osobní údaje přenášeny příjemcům nacházejícím se mimo Evropský hospodářský prostor.

Další informace vám poskytneme na požádání. Našeho pověřence pro ochranu osobních údajů můžete kontaktovat prostřednictvím **MideaDPO@midea.com**. Chcete-li uplatnit svá práva, například právo namítat proti zpracování vašich osobních údajů pro účely přímého marketingu, kontaktujte nás prostřednictvím **MideaDPO@midea.com**. Další informace získáte kliknutím na QR kód.



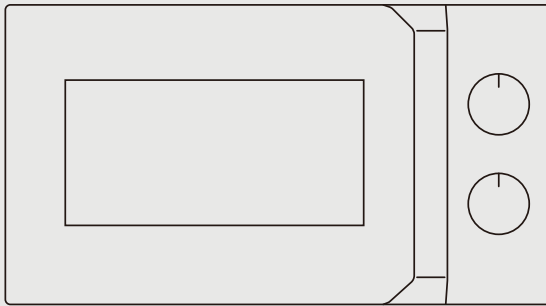
make yourself at home

CZ



www.midea.com

© Midea 2024 all rights reserved



HU

MIKROHULLÁMÚ SÜTŐ

FELHASZNÁLÓI KÉZIKÖNYV

MM20CF2E
MM20CF2EBK

Figyelmeztető megjegyzések: A termék használata előtt kérjük, figyelmesen olvassa el ezt a kézikönyvet, és őrizze meg későbbi használatra.

A termék tervezése és specifikációi a termékfejlesztés érdekében előzetes értesítés nélkül változhatnak.

A részletekért forduljon kereskedőjéhez vagy gyártójához.

A fenti ábra csak tájékoztató jellegű. Kérjük, a tényleges termék megjelenését tekintse mércének.

KÖSZÖNŐLEVÉL

Köszönjük, hogy a Midea-t választotta! Az Ön új Midea termékének használatba vétele előtt, kérjük, alaposan olvassa el ezt a kézikönyvet, az új készülék által kínált funkciók és lehetőségek biztonságos működése érdekében.

TARTALOM

KÖSZÖNŐLEVÉL -----	HU-01
BIZTONSÁGI ÚTMUTATÓ -----	HU-02
MŰSZAKI JELLEMZŐK -----	HU-11
TERMÉK ÁTTEKINTÉS -----	HU-12
TERMÉK TELEPÍTÉSE -----	HU-13
KEZELÉSI ÚTMUTATÓ -----	HU-14
TISZTÍTÁS ÉS KARBANTARTÁS -----	HU-15
HIBAELHÁRÍTÁS -----	HU-16
VÉDJEJEGYEK, SZERZŐI JOGOK ÉS JOGI NYILATKOZAT -----	HU-17
ÁRTALMATLANÍTÁS ÉS ÚJRAHASZNOSÍTÁS -----	HU-18
ADATVÉDELMI NYILATKOZAT -----	HU-19

BIZTONSÁGI ÚTMUTATÓ

Rendeltetésszerű használat

Az alábbi biztonsági irányelvek célja, hogy megelőzze a készülék nem biztonságos vagy helytelen üzemeltetéséből eredő előre nem látható kockázatokat vagy károkat. Kérjük, átvételkor a biztonságos működés érdekében ellenőrizze a csomagolást és a készüléket, hogy minden sértetlen-e. Ha bármilyen sérülést talál, kérjük, forduljon az eladóhoz vagy a kereskedőhöz. Kérjük, vegye figyelembe, hogy a készülék módosításai vagy átalakításai az Ön biztonsága érdekében nem engedélyezettek. A nem rendeltetésszerű használat veszélyes lehet és a jótállás elvesztésével jár.

A szimbólumok magyarázata



Veszély

Ez a szimbólum azt jelzi, hogy a rendkívül gyúlékony gáz veszélyt jelent a személyek életére és egészségére.



Elektromos feszültség figyelmeztetés

Ez a szimbólum azt jelzi, hogy az elektromos feszültség miatt élet- és egészség károsító veszély áll fenn.



Figyelmeztetés

A jelzőszó olyan közepes kockázati szintet jelentő veszélyt jelez, amely, ha nem kerüljük el, halálhoz vagy súlyos sérüléshez vezethet.



Vigyázat

A jelzőszó olyan alacsony kockázati fokú veszélyt jelez, amely, ha nem kerüljük el, kisebb vagy közepes mértékű sérülést okozhat.



Figyelem

A jelzőszó fontos információt jelez (pl. anyagi kár), de nem veszélyt.



Tartsa be az utasításokat

Ez a szimbólum azt jelzi, hogy a szerviztechnikus csak a használati utasításnak megfelelően üzemeltetheti és tarthatja karban a készüléket.

A készülék használata/beüzemelése előtt olvassa el alaposan és figyelmesen ezt a kezelési útmutatót, és a későbbi használat céljából őrizze meg a telepítési hely vagy a készülék közvetlen közelében!

Óvintézkedések A Túlzott Mikrohullámú Energiának Való Kitétség Elkerülése Érdekében

- a. Ne próbálja a sütőt nyitott ajtó mellett üzemeltetni, mivel ez káros mikrohullámú sugárzásnak teheti ki. Fontos, hogy ne törje meg és ne rongálja meg a biztonsági reteszeket.
- b. Ne helyezzen semmilyen tárgyat a sütő elülső része és ajtaja közé, és ne engedje, hogy a szennyeződések vagy a tisztítószer maradványai felhalmozódjanak a tömítőfelületeken.
- c. FIGYELMEZTETÉS: Ha az ajtó vagy az ajtó tömítései megsérültek, a sütőt csak akkor szabad működtetni, ha azt egy hozzáértő személy megjavította.

Kiegészítés

Ha a készüléket nem tartják megfelelő tisztaságú állapotban, felülete károsodhat, ami befolyásolhatja a készülék élettartamát, és veszélyes helyzethez vezethet.

HU

Fontos Biztonsági Utasítások

▲ FIGYELMEZTETÉS

A tűzveszély, áramütés veszélye, személyi sérülés vagy a mikrohullámú sütő túlzott energiájának való kitétség veszélyének csökkentése érdekében kövesse az alapvető óvintézkedéseket, beleértve a következőket:

- Olvassa el és kövesse a következőket: "ÓVINTÉZKEDÉSEK A TÚLZOTT MIKROHULLÁMÚ ENERGIÁNAK VALÓ KITÉTTSÉG ELKERÜLÉSE ÉRDEKÉBEN".
- A készüléket nem használhatják csökkent fizikai, érzékelési vagy értelmi képességű személyek (a gyerekeket is beleértve), vagy akiknek nincs meg a tapasztalatuk és tudásuk ehhez; kivéve, ha a biztonságukért felelős személy a használatra megtanítja, vagy a használat közben felügyeli őket.
- A gyerekekre oda kell figyelni, nehogy játszanak a készülékkel.
- Ha a készülék kábele sérült, a veszélyhelyzet elkerülése érdekében ki kell cseréltetni a gyártóval, vagy egy szakszerelővel, vagy egy megfelelően képezett szakemberrel.
- HU** • FIGYELMEZTETÉS: Mielőtt kicseréli a lámpát, az áramütés elkerülése érdekében győződjön meg arról, hogy a készülék ki van kapcsolva.
- FIGYELMEZTETÉS: Az illetékes személyektől eltérő személyek számára veszélyes bármilyen olyan szerviz- vagy javítási művelet végrehajtása, amely magában foglalja a a mikrohullámú energia hatása ellen védelmet nyújtó burkolat eltávolítását.
- FIGYELMEZTETÉS: Folyadékot és más ételeket nem szabad lezárt edényekben melegíteni, mivel azok robbanásveszélyesek lehetnek.
- Ha az ételt műanyag vagy papír edényben melegíti, tartsa szemmel a sütőt a lehetséges meggyulladás miatt.

- Csak mikrohullámú sütőben használható edényeket használjon.
- Ha füst áramlik ki, kapcsolja ki vagy húzza ki a készüléket a dugóaljából és tartsa az ajtót csukva, hogy elfojtsa a lángot.
- Az italok mikrohullámú melegítése késleltetett eruptív forráshoz vezethet, ezért a tartály kezelésénél legyen óvatos.
- A cumisüvegek és a bébiételes edények tartalmát fogyasztás előtt el kell keverni vagy fel kell rázni, és ellenőrizni kell a hőmérsékletüket az égési sérülések elkerülése érdekében.
- A héjában lévő tojásokat és az egész kemény tojásokat nem szabad mikrohullámú sütőben melegíteni, mivel azok felrobbanhatnak még a mikrohullámú sütés befejezése után is.
- A sütőt rendszeresen tisztítani kell, és az élelmiszer-lerakódásokat el kell távolítani.
- Ha a sütőt nem tartja tiszta állapotban, az a felület károsodásához vezethet, ami hátrányosan befolyásolhatja a készülék élettartamát, és esetleg veszélyes helyzetet okozhat.
- A túlmelegedés megakadályozása céljából a készüléket ne szerelje dekorációs ajtó mögé (Ez nem vonatkozik a dekoratív ajtóval rendelkező készülékekre.)
- Csak az ehhez a sütőhöz ajánlott hőmérőt használja. (olyan sütők esetében, amelyek hőmérséklet-érzékelő szondát használnak.)
- A mikrohullámú sütőt csak akkor szabad szekrénybe helyezni, ha azt szekrényben tesztelték.
- A mikrohullámú sütőt nyitott dekoratív ajtóval kell üzemeltetni. (dekoratív ajtós sütők esetében.)
- A berendezést otthoni, valamint az alábbi helyeken történő használatra tervezték:
 - üzletek, irodák és egyéb munkahelyek személyzeti konyhája;
 - szállodák, motelek és más szálláshelyek vendégei általi használat;
 - tanyaházak;
 - Bed and Breakfast szolgáltató helyek.

- A mikrohullámú sütő ételek és italok melegítésére szolgál. Az ételek vagy ruhák szárítása, valamint a melegítő betétek, papucskok, szivacsok, nedves ruhák és hasonlóak hevítése sérülés-, gyulladás- vagy tűz kockázatához vezethet.
- Az ételekhez és italokhoz készült fémdobozok nem használhatók mikrohullámú sütés közben.
- A készüléket nem szabad gőztisztítóval tisztítani.
- A készüléket szabadon álló használatra tervezték.
- A készülékek hátsó felületét falhoz kell helyezni.

ALAPOSAN OLVASSA EL ÉS TARTSA MEG A KÉSŐBBI MEGTEKINTÉS ÉRDEKÉBEN

Személyi Sérülés Kockázatának Csökkentése Érdekében Földelés Szerelés

⚠ VESZÉLY

Áramütés veszélye

Néhány belső alkatrész megérintése súlyos személyi sérülést vagy halált okozhat. Ne szerelje szét ezt a készüléket.

⚠ FIGYELMEZTETÉS

Áramütés veszélye

A földelés nem megfelelő használata áramütést okozhat. Ne dugja be a konnektorba, amíg a készülék nincs megfelelően felszerelve és földelve.

Ezt a készüléket földelni kell. Elektromos rövidzárlat esetén a földelés csökkenti az áramütés kockázatát azáltal, hogy menekülési vezetőket biztosít az elektromos áramhoz.

Ez a készülék olyan vezetékkel van ellátva, amely földelő vezetékkel és földelő csatlakozóval rendelkezik. A csatlakozódugót megfelelően csatlakoztatott és földelt konnektorba kell csatlakoztatni.

Ha a földelési utasításokat nem teljesen érti, vagy ha kétségei vannak a készülék megfelelő földelésével kapcsolatban, forduljon szakképzett villanyszerelőhöz vagy szervizhez.

Ha hosszabbító kábelt kell használni, csak 3 vezetékes hosszabbítót használjon.

- Rövid tápkábel áll rendelkezésre, hogy csökkentse a hosszabb vezetékbe való belegabalyodásból vagy megbotlásból eredő kockázatokat.

- Ha hosszú kábelt vagy hosszabbítót használ:
 - A kábelkészlet vagy a hosszabbító kábel jelzett elektromos teljesítményének legalább akkorának kell lennie, mint a készülék elektromos teljesítménye.
 - A hosszabbítónak földelt típusú 3 eres vezetéknek kell lennie.
 - A hosszabb kábelt úgy kell elhelyezni, hogy ne csússzon a pultra vagy az asztallapra, ahol a gyerekek leránthatják vagy véletlenül megbotozhatnak benne.

VIGYÁZAT

Az illetékes személyektől eltérő személyek számára veszélyes bármilyen olyan szerviz- vagy javítási művelet végrehajtása, amely magában foglalja a a mikrohullámú energia hatása ellen védelmet nyújtó burkolat eltávolítását.

Lásd a „Mikrohullámú sütőben használható anyagok” vagy a „Mikrohullámú sütőben nem használható anyagok” részekben található utasításokat.

Lehetnek bizonyos nem fémes edények, amelyek nem biztonságosak a mikrohullámú sütéshez. Ha kétségei vannak, az alábbi eljárást követve tesztelheti a szóban forgó edényt.

Edény Teszt:

- Töltsön fel egy mikrohullámú sütőben használható edényt 1 csésze hideg vízzel (250 ml) a kérdéses edénnyel együtt.
- Főzze maximális teljesítményen 1 percig.
- Óvatosan fogja meg az edényt. Ha az üres edény meleg, ne használja mikrohullámú sütéshez.
- A főzési idő nem haladhatja meg az 1 percet.

Mikrohullámú sütőben használható anyagok

Edények	Megjegyzések
Browning tál	Kövesse a gyártó utasításait. A browning tál aljának legalább 3/16 hüvelyk (5 mm) magasságban kell lennie a forgótányér felett. A helytelen használat a forgótányér törését okozhatja.
Evőeszközök	Csak mikrohullámú sütőben használható. Kövesse a gyártó utasításait. Ne használjon repedezett vagy töredezett edényeket.
Befőttésüvegek	Mindig távolítsa el a fedelet. Csak étel melegítésére használja, amíg az felmelegszik. A legtöbb befőttésüveg nem hőálló és eltörhet.
Üveg edények	Csak hőálló sütő üveg. Győződjön meg arról, hogy nem rendelkezik fém szegéllyel. Ne használjon repedezett vagy töredezett edényeket.
Sütőben használható sütőzacskók	Kövesse a gyártó utasításait. Ne zárja le fém kötéssel. Készítsen réseket, hogy a gőz távozhasson.
Papírtányérok és csészék	Csak rövid ideig tartó főzéshez/melegítéshez használja. Főzés közben ne hagyja felüveget nélkül a sütőt.
Papírtörök	Használja az étel fedésére a felmelegítéshez és a zsír felszívásához. Csak felüveget mellett használja rövid ideig tartó főzéshez.
Pergamenpapír	Használja fedőlapként a fröccsenés megelőzésére vagy gőzöléshez.
Műanyag	Csak mikrohullámú sütőben használható. Kövesse a gyártó utasításait. „Microwave Safe” felirattal legyen ellátva. Némely műanyag edény ellágyulhat, mivel a benne lévő ételek felforrósodnak. A „forraló tasakokat” és a szorosan lezárt műanyag zacskókat a csomagolás utasításai szerint fel kell hasítani, átszűrni vagy szellőztetni.
Műanyag csomagolás	Csak mikrohullámú sütőben használható. Használja az ételek fedésére főzés közben, a nedvesség megőrzésének érdekében. Ne engedje, hogy a műanyag fólia hozzáérjen az ételhez.
Hőmérők	Csak mikrohullámú sütőben használható (hús- és cukrász hőmérők).
Zsírpapír	Használja fedőként a fröccsenés megelőzésére és a nedvesség megőrzésére.

Mikrohullámú sütőben nem használható anyagok

Edények	Megjegyzések
Alumínium tálca	Elektromos ívet okozhat. Helyezze az ételt mikrohullámú sütőben használható edénybe.
Élelmiszer karton fém fogantyúval	Elektromos ívet okozhat. Helyezze az ételt mikrohullámú sütőben használható edénybe.
Fémből készült vagy fémmel szegélyezett edények	A fém megvédi az ételt a mikrohullámú energiától. A fém szegély elektromos kisülést okozhat.
Fém csavarok	Ívet és tüzet okozhat a sütőben.
Papírzacskók	Tüzet okozhatnak a sütőben.
Műanyag hab	A műanyaghab megolvadhat vagy szennyezheti a benne lévő folyadékot, ha magas hőmérsékletnek van kitéve.
Fa	Ha a mikrohullámú sütőben használják, a fa kiszáradhat és elhasadhat vagy megrepedhet.

MŰSZAKI JELLEMZŐK

MODELL	MM20CF2E/MM20CF2EBK
NÉVLEGES FESZÜLTÉG	230V~ 50Hz
NÉVLEGES BEMENETI TELJESÍTMÉNY (MIKROHULLÁM)	1050W
NÉVLEGES KIMENETI TELJESÍTMÉNY (MIKROHULLÁM)	700W

TERMÉK ÁTTEKINTÉS

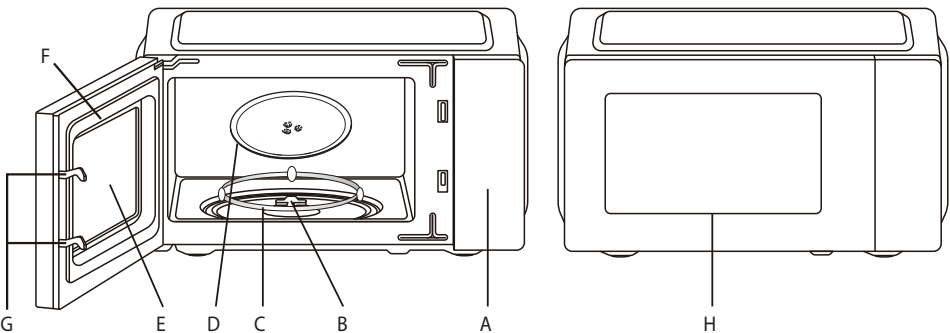
Sütőalkatrészek és tartozékok nevei

(Amennyiben a készülék és a jelen kézikönyvben található képek között eltérés van, a termék az irányadó.)

Vegye ki a sütőt és minden anyagot a dobozból és a sütőtérből.

A sütő a következő tartozékokat tartalmazza:

Üvegtálca	1
Forgótányér gyűrű szerelvény	1
Használati utasítás	1

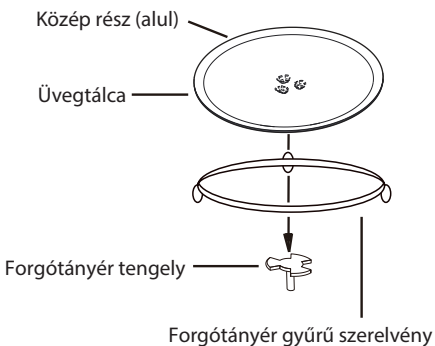


- A) Kezelőpanel
B) Forgótányér tengely
C) Forgótányér gyűrű szerelvény
D) Üvegtálca

- E) Megfigyelőablak
F) Ajtó szerelvény
G) Biztonsági reteszelő rendszer
H) Ajtó

HU

Forgótányér telepítése



- Soha ne tegye az üveg tálcát fejjel lefelé. Az üveg tálcát soha nem szabad korlátozni.
- Az üveg tálcát és a tálca-gyűrű egységet mindig használni kell a főzés során.
- Minden ételt és ételt tartalmazó edényt mindig az üveg tálcára helyezünk a főzéshez.
- Ha az üveg tálca vagy a forgótányér gyűrű szerelvénye megped vagy eltörik, forduljon a legközelebbi hivatalos szervizközpontoz.

TERMÉK TELEPÍTÉSE

Pultra telepítés

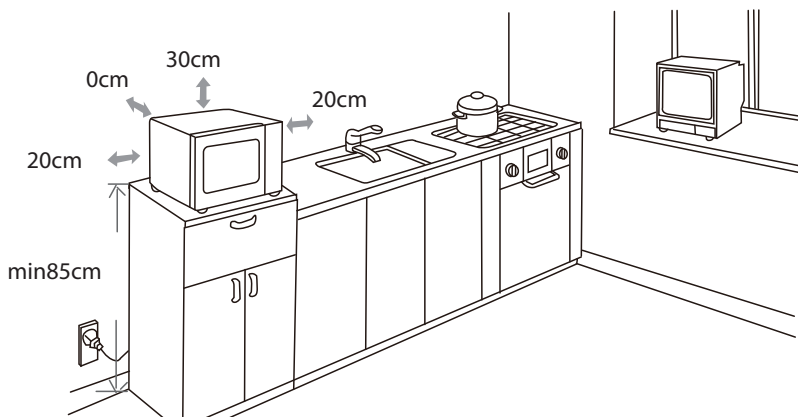
Távolítson el minden csomagolóanyagot és tartozékot. Vizsgálja meg a sütőt, hogy nincs-e rajta sérülés, például horpadás vagy törött ajtó. Ne telepítse, ha a sütő megsérült.

Szokrénny: Távolítsa el a védőfóliát a mikrohullámú sütő szokrénnyének felületéről.

Ne távolítsa el a hullámvezető fedelet, amely a sütőüreghez van rögzítve a magnetron védelme érdekében.

Üzembe helyezés

1. Válasszon vízszintes felületet, amely elegendő szabad teret biztosít a szívó- és/vagy kimeneti szellőzők számára.



HU

- A minimális beépítési magasság 85 cm.
 - A készülékek hátsó felületét falhoz kell helyezni. Hagyjon legalább 30 cm szabad helyet a sütő felett. A sütő és a szomszédos falak között legalább 20 cm távolságra van szükség.
 - Ne távolítsa el a lábakat a sütő aljáról.
 - A szívó- és/vagy kimeneti nyílások elzárása károsíthatja a sütőt
 - Helyezze a sütőt a lehető legtávolabb a rádiótól és a TV -től. A mikrohullámú sütő működése a rádió vagy a TV vételében interferenciát okozhat.
2. Csatlakoztassa a sütőt egy szabványos háztartási konnektorhoz. Győződjön meg arról, hogy a feszültség és a frekvencia megegyezik a címkén feltüntetett feszültséggel és frekvenciával.

▲ FIGYELMEZTETÉS

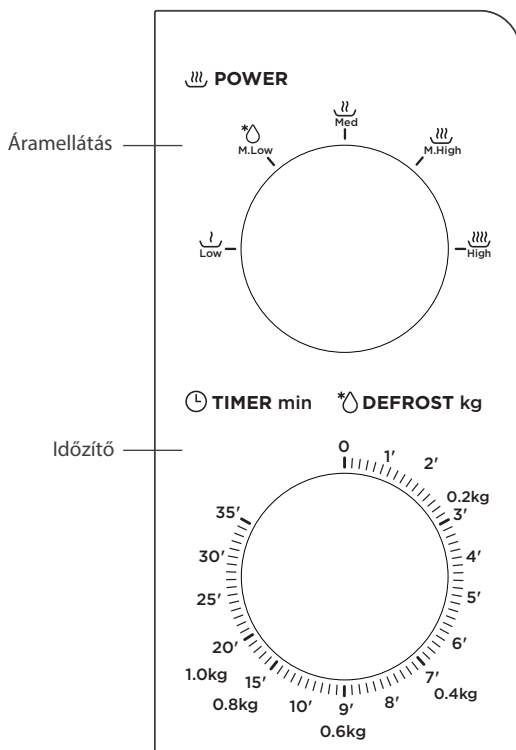
Ne helyezze a sütőt tűzhelyre vagy más hőtermelő készülékre. Ha hőforrás közelébe vagy fölé telepíti, a sütő megsérülhet és a garancia érvényét veszti.

A hozzáférhető felület forró lehet működés közben.



KEZELÉSI ÚTMUTATÓ

Vezérlőpanel és funkciók



1. A főzési teljesítmény beállításához kapcsolja a főkapcsolót a kívánt szintre.
2. A főzés idejének beállításához az időzítőgombot állítsa be a kívánt időre az ételkészítési útmutató szerint.
3. A teljesítményszint és az idő beállítása után a mikrohullámú sütő automatikusan elkezd főzni.
4. A főzési idő lejártá után az egység a „Dong” hangjelzés után leáll.
5. Ha a készülék nincs használatban, mindig állítsa az időt a kiindulási helyzetbe.

HU

Funkció/teljesítmény	Kimenet	Alkalmazás
Low	17% mikró.	Jégkrém lágyítása
*M.Low	33% mikró.	Leves, pörkölt, vaj lágyítása vagy kiolvasztása
Med	55% mikró.	Pörkölt, hal
M.High	77% mikró.	Rizs, hal, csirke, darált hús
High	100% mikró.	Újramelegítés, tej, víz forralás, zöldségek, italok

MEGJEGYZÉS Amikor kiveszi az ételt a sütőből, győződjön meg arról, hogy a sütő áramellátása kivan kapcsolva, az időzítő kapcsolót a kezdeti állásba fordítva. Ennek elmulasztása és a mikrohullámú sütő étel nélküli működtetése túlmelegedést és a magnetron károsodását eredményezheti.

TISZTÍTÁS ÉS KARBANTARTÁS

Feltétlenül húzza ki a készüléket az áramforrásból.

- Használat után enyhén nedves ruhával tisztítsa meg a sütő üregét.
- Tisztítsa meg a tartozékokat a szokásos módon szappanos vízben.
- Az ajtókeretet és a tömítést, valamint a szomszédos részeket gondosan meg kell tisztítani nedves ruhával, ha szennyezett.
- Ne használjon kemény csiszoló tisztítószereket vagy éles fémkaparókat a sütő ajtaja üvegének tisztításához, mert megkarcolhatják a felületet, ami az üveg összetöréséhez vezethet.
- Tisztítási tipp --- Az üreg falainak könnyebb tisztításához, amelyekhez a főtt étel hozzáérhet: Helyezzen fél citromot egy tálba, adjon hozzá 300 ml (1/2 pint) vizet, és melegítse 100% -os mikrohullámú teljesítményen 10 percig. Törölje le a sütőt puha, száraz ruhával.


HIBAELHÁRÍTÁS

Normál

A mikrohullámú sütő zavarja a TV -vételt	Mikrohullámú sütő működése közben zavarhatja a rádió és a TV vételét. Hasonló a kis elektromos készülékek, például keverő, porszívó és elektromos ventilátor interferenciájához. Ez normális.
Halvány sütő világítás	Kis teljesítményű mikrohullámú sütés esetén a sütő fénye elhalványulhat. Ez normális.
Gőz gyűlik össze az ajtón, forró levegő áramlik a szellőzőnyílásokon	A főzés során gőz távozik az ételből. A legtöbb kijut a szellőzőnyílásokból. De némelyik felhalmozódhat hűvös helyen, például a sütő ajtaján. Ez normális.
A sütő véletlenül úgy indult, hogy nem volt benne étel.	Tilos a készüléket úgy üzemeltetni, hogy nincs benne étel. Ez nagyon veszélyes.

Probléma	Lehetséges ok	Megoldás
A sütőt nem lehet elindítani.	• A tápkábel nincs szorosan bedugva.	• Húzza ki. Ezután 10 másodperc múlva csatlakoztassa újra.
	• A biztosíték kiégett vagy a megszakító működésbe lépett.	• Cserélje ki a biztosítékot vagy állítsa vissza a megszakítót (cégünk szakemberei javították)
	• Dugalj hiba.	• Tesztelje a dugaljat más elektromos készülékekkel.
A sütő nem melegít.	• Az ajtó nem jól záródik.	• Jól zárja be az ajtót.

VÉDJEJEGYEK, SZERZŐI JOGOK ÉS JOGI NYILATKOZAT

 **Midea** logó, szóvédjegyek, kereskedelmi név, védjegy és ezek minden változata a Midea Group és/vagy kapcsolt vállalkozásai ("Midea") értékes eszközei, amelyekhez a Midea védjegyek, szerzői jogok és egyéb szellemi tulajdonjogok, valamint a Midea védjegy bármely részének használatából származó goodwill tartozik. A Midea védjegy kereskedelmi célú használata a Midea előzetes írásbeli hozzájárulása nélkül védjegybitorlásnak vagy tisztességtelen versenynek minősülhet, ami sérti a vonatkozó törvényeket.

Ezt a kézikönyvet a Midea készítette, és a Midea minden szerzői jogot fenntart. A Midea előzetes írásbeli engedélye nélkül semmilyen szervezet vagy magánszemély részben vagy egészben nem használhatja, nem sokszorosíthatja, nem módosíthatja, nem terjesztheti ezt a kézikönyvet, és nem hozhatja létre, illetve nem értékesítheti más termékekkel együtt.

A leírt funkciók és utasítások a jelen kézikönyv nyomtatásának időpontjában naprakészek voltak. A tényleges termék azonban a továbbfejlesztett funkciók és formatervezés miatt eltérhet.

ÁRTALMATLANÍTÁS ÉS ÚJRAHASZNOSÍTÁS

Fontos környezetvédelmi utasítások

WEEE irányelvnek való megfelelés és a termék megsemmisítése:

Ez a termék megfelel az EU WEEE irányelvének (2012/19/EU). Ez a termék az elektromos és elektronikus berendezések hulladékainak osztályozási szimbólumát (WEEE) viseli.

Ez a szimbólum azt jelzi, hogy a terméket az élettartama végén nem szabad közösen más háztartási hulladékokkal együtt kidobni. A használt eszközt vissza kell vinni a hivatalos gyűjtőhelyre az elektromos elektronikus eszközök újrahasznosítása céljából. A gyűjtőrendszerek megtalálásához vegye fel a kapcsolatot a helyi hatóságokkal vagy a kereskedővel, ahol a terméket vásárolták. A háztartások fontos szerepet játszanak a régi készülékek elszállításában és újrahasznosításában. A használt készülék megfelelő ártalmatlanítása segít megelőzni a környezetre és az emberi egészségre gyakorolt lehetséges negatív következményeket.



Az RoHS irányelvnek való megfelelés

A megvásárolt termék megfelel az EU RoHS Irányelvének (2011/65/EU). Nem tartalmaz az irányelvben meghatározott káros és tiltott anyagokat.

HU

A csomagolásra vonatkozó információk

A termék csomagolóanyagai újrahasznosítható anyagokból készülnek és megfelelnek a nemzeti környezetvédelmi - előírásoknak. A csomagolóanyagokat ne dobja el a háztartási vagy egyéb hulladékok közé. Vigye őket a helyi hatóságok által kijelölt csomagolóanyag-gyűjtő helyekre.



ADATVÉDELMI NYILATKOZAT

Az ügyféllel megállapodott szolgáltatások nyújtása céljából vállaljuk, hogy korlátozás nélkül betartjuk az alkalmazandó adatvédelmi törvények valamennyi előírását, összhangban azokkal az elfogadott országokkal, amelyekben az ügyfélnek nyújtott szolgáltatásokat nyújtjuk, valamint adott esetben az EU általános adatvédelmi rendeletével (GDPR).

Az adatfeldolgozás célja általában az Önnel kötött szerződéses kötelezettségeink teljesítése, valamint termékbiztonsági okokból, az Ön jogainak védelme a garanciával és a termék regisztrációjával kapcsolatos kérdésekkel kapcsolatban. Bizonyos esetekben, de csak a megfelelő adatvédelem biztosítása esetén, a személyes adatok továbbításra kerülhetnek az Európai Gazdasági Térségen kívüli címzetteknek.

További információk kérésre rendelkezésre állnak. Adatvédelmi tisztviselőnkkel az alábbi elérhetőségeken léphet kapcsolatba **MideaDPO@midea.com**. Ha élni szeretne jogaival, például azzal a joggal, hogy tiltakozhat személyes adatainak közvetlen marketing célú feldolgozása ellen, kérjük, lépjen kapcsolatba velünk a következő címen **MideaDPO@midea.com**. További információért kérjük, kövesse a QR-kódot.



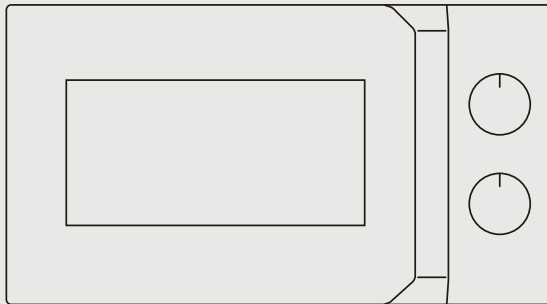
make yourself at home

HU



www.midea.com

© Midea 2024 all rights reserved



SR

MIKROTALASNA PEĆNICA

UPUTSTVO ZA KORISNIKA

MM20CF2E
MM20CF2EBK

Obaveštenja o upozorenjima: Pre upotrebe ovog proizvoda, pročitajte ovo uputstvo pažljivo i zadržite ga za buduću referencu. Dizajni i specifikacije predmet su promena bez prethodnog obaveštenja radi poboljšanja proizvoda. Pitajte svog prodavca ili proizvođača za više detalja. Gore navedeni dijagram dat je samo za referencu. Potrebno je da stvarni izgled proizvoda uzmete za standard.

PISMO ZAHVALNOSTI

Hvala vam što ste izabrali kompaniju Midea! Pre upotrebe vašeg novog proizvoda kompanije Midea, pažljivo pročitajte ovo uputstvo da biste bili sigurni da znate kako da koristite stavke i funkcije koje vaš novi uređaj nudi na bezbedan način.

SADRŽAJ

PISMO ZAHVALNOSTI	SR-01
BEZBEDNOSNA UPUTSTVA	SR-02
SPECIFIKACIJA	SR-11
PREGLED PROIZVODA	SR-12
INSTALACIJA PROIZVODA	SR-13
UPUTSTVO ZA RAD	SR-14
ČIŠĆENJE I ODRŽAVANJE	SR-15
REŠAVANJE PROBLEMA	SR-16
ZNAKOVI, AUTORSKA PRAVA I PRAVNA IZJAVA	SR-17
ODLAGANJE I RECIKLAŽA	SR-18
OBAVEŠTENJE O ZAŠTITI PODATAKA	SR-19

BEZBEDNOSNA UPUTSTVA

Namena

Sledeće bezbednosne smernice imaju za cilj da spreče nepredviđene rizike ili oštećenja usled nebezbednog ili nepravilnog rada uređaja. Proverite pakovanje i uređaj po dolasku da biste bili sigurni da je sve na svom mestu kako biste osigurali bezbedan rad. Ako nađete bilo kakvo oštećenje, obratite se prodavcu ili distributeru. Imajte na umu da modifikacije ili prepravke uređaja nisu dozvoljene zbog vaše bezbednosti. Nenamenska upotreba može dovesti do opasnosti i gubitka garancije.

Objašnjenje simbola



Opasnost

Ovaj simbol označava da postoji opasnost po život i zdravlje ljudi zbog izuzetno zapaljivog gasa.



Upozorenje na električni napon

Ovaj simbol označava da postoji opasnost po život i zdravlje osoba zbog napona.



Upozorenje

Signalna reč označava opasnost sa srednjim nivoom rizika koja, ako se ne izbegne, može dovesti do smrti ili ozbiljne povrede.



Oprez

Signalna reč označava opasnost sa niskim stepenom rizika koja, ako se ne izbegne, može dovesti do lakših ili umerenih povreda.



Pažnja

Signalna reč ukazuje na važne informacije (npr. oštećenje imovine), ali ne i na opasnost.



Pridržavajte se uputstava

Ovaj simbol označava da serviser treba da radi i održava ovaj uređaj samo u skladu sa uputstvima za upotrebu.

Pažljivo i temeljno pročitajte ovo uputstvo za upotrebu pre upotrebe/puštanja u rad jedinice i čuvajte ih u neposrednoj blizini mesta ugradnje ili jedinice za kasniju upotrebu!

SR

Mere predostrožnosti za izbegavanje mogućeg izlaganja prekomernoj mikrotalasnoj energiji

- a. Ne pokušavajte da koristite ovu rernu sa otvorenim vratima jer to može dovesti do štetnog izlaganja mikrotalasnoj energiji. Važno je da ne pokvarite ili ne menjate sigurnosne blokade.
- b. Ne stavljajte nikakve predmete između prednje strane rerne i vrata i ne dozvolite da se prljavština ili ostaci sredstva za čišćenje nakupljaju na zaptivnim površinama.
- c. **UPOZORENJE:** Ako su vrata ili zaptivke na vratima oštećene, rerna ne sme da se koristi dok je ne popravi stručna osoba.

Dodatak

Ako se aparat ne održava u dobrom stanju po pitanju čistoće, njegova površina može biti degradirana i uticati na životni vek aparata i dovesti do opasne situacije.

▲ UPOZORENJE

Da biste smanjili rizik od požara, električnog udara, povreda osoba ili izlaganja prekomernoj energiji mikrotalasne rerne kada koristite svoj uređaj, pratite osnovne mere predostrožnosti, uključujući sledeće:

- Pročitajte i pratite konkretno: „MERE PREDOSTROŽNOSTI ZA IZBEGAVANJE MOGUĆE IZLOŽENOSTI PREKOJNOM MIKROTALASNOJ ENERGIJI”.
- Ovaj uređaj nije namenjen za upotrebu od strane osoba (uključujući decu) sa smanjenim fizičkim, čulnim ili mentalnim sposobnostima, ili nedostatkom iskustva i znanja, osim ako dobijaju nadzor ili uputstva o upotrebi uređaja od strane osobe odgovorne za njihovu bezbednost.
- Decu treba nadzirati kako bi se osiguralo da se ne igraju sa uređajem.
- Ako je kabl za napajanje oštećen, mora ga zameniti proizvođač, njegov serviser ili slično kvalifikovano lice kako bi se izbegla opasnost. (Za uređaj sa priključkom tipa Y).
- UPOZORENJE: Uverite se da je uređaj isključen pre nego što zamenite lampu u kako biste izbegli mogućnost strujnog udara.
- UPOZORENJE: Opasno je za bilo koga osim za kompetentno lice da izvrši bilo kakvu operaciju servisiranja ili popravke koja uključuje uklanjanje poklopca koji pruža zaštitu od izlaganja mikrotalasnoj energiji.
- UPOZORENJE: Tečnosti i druga hrana se ne smeju zagrevati u zatvorenim posudama jer mogu eksplodirati.
- Kada zagrevate hranu u plastičnim ili papirnim posudama, pazite na rernu zbog mogućnosti zapaljenja.
- Koristite samo pribor koji je pogodan za upotrebu u mikrotalasinim rernama.

- Ako se emituje dim, isključite ili izvucite utikač uređaja iz struje i držite vrata zatvorena kako biste ugušili plamen.
- Zagrevanje pića u mikrotalasnoj rerni može dovesti do odloženog eruptivnog ključanja, stoga morate biti pažljivi pri rukovanju posudom.
- Sadržaj flašica za hranjenje i tegli sa hranom za bebe treba promešati ili protresti i proveriti temperaturu pre konzumiranja, kako bi se izbegle opekotine.
- Jaja u ljusci i cela tvrdo kuvana jaja ne treba zagrevati u mikrotalasnoj rerni jer mogu eksplodirati čak i nakon što se mikrotalarno zagrevanje završi.
- Rernu treba redovno čistiti i uklanjati sve naslage hrane.
- Neodržavanje rerne u čistom stanju može dovesti do propadanja površine što može negativno uticati na vek trajanja uređaja i može dovesti do opasne situacije.
- Aparat se ne sme postavljati iza ukrasnih vrata kako bi se izbeglo pregrevanje. (Ovo nije primenjivo za uređaje sa ukrasnim vratima.)
- Koristite samo temperaturnu sondu preporučenu za ovu rernu. (za rerne koje imaju mogućnost korišćenja sonde za senzor temperature.)
- Mikrotalaska rerna se ne sme postavljati u orman osim ako nije testirana u ormanu.
- Mikrotalaska rerna mora da radi sa otvorenim ukrasnim vratima. (za rerne sa ukrasnim vratima.)
- Ovaj uređaj je namenjen za upotrebu u domaćinstvu i sličnim aplikacijama kao što su:
 - kuhinjski prostori za osoblje u prodavnicama, kancelarije i druge radne sredine;
 - od strane klijenata u hotelima, motelima i drugim okruženjima stambenog tipa;
 - seoske kuće;
 - okruženja za prenoćište i doručak.

- Mikrotalasna rerna je namenjena za zagrevanje hrane i pića. Sušenje hrane ili odeće i zagrevanje jastučića za grejanje, papuča, sunđera, vlažne krpe i slično može dovesti do opasnosti od povreda, paljenja ili požara.
- Metalne posude za hranu i piće nisu dozvoljene tokom kuvanja u mikrotalasnoj rerni.
- Uređaj se ne sme čistiti parnim čistačem.
- Uređaj je namenjen za korišćenjem uz samostalno stajanje.
- Zadnju površinu uređaja treba postaviti uz zid.

PAŽLJIVO PROČITAJTE I ZAČUVAJTE ZA BUDUĆE REFERENCE

Za smanjenje rizika od povreda osoba prilikom instalacije uzemljenja

⚠ OPASNOST

Opasnost od strujnog udara

Dodirivanje nekih unutrašnjih komponenti može izazvati ozbiljne telesne povrede ili smrt. Nemojte rastavljati ovaj uređaj.

⚠ UPOZORENJE

Opasnost od strujnog udara

Nepravilna upotreba uzemljenja može dovesti do strujnog udara.

Ne uključujte u utičnicu dok uređaj nije pravilno instaliran i uzemljen.

Ovaj uređaj mora biti uzemljen. U slučaju električnog kratkog spoja, uzemljenje smanjuje rizik od strujnog udara tako što obezbeđuje izlaznu žicu za električnu struju.

Ovaj uređaj je opremljen kablom koji ima žicu za uzemljenje sa utikačem za uzemljenje. Utikač mora biti uključen u utičnicu koja je pravilno instalirana i uzemljena.

Obratite se kvalifikovanom električaru ili serviseru ako uputstva za uzemljenje nisu u potpunosti shvaćena ili ako postoji sumnja da li je uređaj pravilno uzemljen.

Ako je potrebno da koristite produžni kabl, koristite samo 3-žični produžni kabl.

- Obezbeđen je kratak kabl za napajanje da bi se smanjio rizik od zaplitanja ili saplitanja o duži kabl.
- Ako se koristi dugačak set kablova ili produžni kabl:

- Označena električna snaga kompleta kablova ili produžnog kabla treba da bude najmanje onoliko koliko je električna snaga uređaja.
- Produžni kabl mora biti trožilni kabl sa uzemljenjem.
- Dugačak kabl treba da bude postavljen tako da se ne može prevući preko radne površine ili stola gde ga deca mogu povući ili nenamerno saplesti.

PAŽNJA

Opasno je za bilo koga osim za kompetentno lice da izvrši bilo kakvu operaciju servisiranja ili popravke koja uključuje uklanjanje poklopca koji pruža zaštitu od izlaganja mikrotalasnoj energiji. Pogledajte uputstva o materijalima koje možete koristiti u mikrotalasnoj rerni ili koje treba izbegavati u mikrotalasnoj rerni. Možda postoji određeni nemetalni pribor koji nije bezbedan za upotrebu u mikrotalasnoj rerni. Ako ste u nedoumici, možete testirati predmetni pribor prateći proceduru u nastavku.

Test pribora:

- Napunite posudu za mikrotalasnu rernu sa 1 šoljicom hladne vode (250 ml) zajedno sa predmetnim priborom.
- Kuvajte na maksimalnoj snazi 1 minut.
- Pažljivo opipajte pribor. Ako je prazan pribor topao, nemojte ga koristiti za kuvanje u mikrotalasnoj rerni.
- Vreme kuvanja ne sme da prelazi 1 minut.

Materijali koje možete koristiti u mikrotalasnoj pećnici

Posuđe	Napomene
Posuda za pečenje	Pratite uputstva proizvođača. Dno posude za pečenje mora biti najmanje 3/16 inča (5 mm) iznad okretne ploče. Nepravilna upotreba može dovesti do lomljenja okretne ploče.
Posuđe za jelo	Samo za mikrotalasnu rernu. Pratite uputstva proizvođača. Nemojte koristiti napuknute ili okrnjene posude.
Staklene tegle	Uvek uklonite poklopac. Koristite samo za zagrevanje hrane dok se ne zagreje. Većina staklenih tegli nije otporna na toplotu i može se polomiti.
Stakleno posuđe	Samo stakleno posuđe za rerne otporno na toplotu. Uverite se da nema metalnih ukrasa. Nemojte koristiti napuknute ili okrnjene posude.
Kese za kuvanje u rerni	Pratite uputstva proizvođača. Ne zatvarajte metalnom vezicom. Napravite proreze kako biste omogućili da para izađe.
Papirni tanjiri i čaše	Koristite samo za kratkotrajno kuvanje/zagrevanje. Ne ostavljajte rernu bez nadzora tokom kuvanja.
Papirni ubrusi	Koristite za pokrivanje hrane za podgrevanje i upijanje masti. Koristite uz nadzor samo za kratkotrajno kuvanje.
Papir za pečenje	Koristite kao poklopac za sprečavanje prskanja ili omot za paru.
Plastika	Samo za mikrotalasnu rernu. Pratite uputstva proizvođača. Trebalo bi da ima oznaku „Bezbedno u mikrotalasnoj rerni“. Neki plastični kontejneri omekšaju, jer se hrana unutra zagreva. „Kese za kuvanje“ i čvrsto zatvorene plastične kese treba da budu prorezane, probušene ili ventilirane prema uputstvima na pakovanju.
Plastični omot	Samo za mikrotalasnu rernu. Koristite za pokrivanje hrane tokom kuvanja kako biste zadržali vlagu. Ne dozvolite da plastična folija dodirne hranu.
Termometri	Samo za mikrotalasnu rernu (termometri za meso i slatkiše).
Voštana hartija	Koristite kao pokrivač da biste sprečili prskanje i zadržali vlagu.

SR

Materijali koje treba izbegavati u mikrotalasnoj rerni

Posuđe	Napomene
Aluminijumska posuda	Može izazvati stvaranje varničenja. Prebacite hranu u posudu za mikrotalasnu rernu.
Karton za hranu sa metalnom ručkom	Može izazvati stvaranje varničenja. Prebacite hranu u posudu za mikrotalasnu rernu.
Metalni pribor ili pribor sa metalnim obodom	Metal štiti hranu od mikrotalasne energije. Metalna obloga može izazvati pojavu varničenja.
Metalne vezice	Mogu izazvati varnice i požar u rerni.
Papirne kese	Mogu izazvati požar u rerni.
Plastična pena	Plastična pena može da se istopi ili kontaminira unutrašnju tečnost kada je izložena visokoj temperaturi.
Drvo	Drvo će se osušiti kada se koristi u mikrotalasnoj rerni i može se popecati ili popucati.

SPECIFIKACIJA

MODEL	MM20CF2E/MM20CF2EBK
NOMINOVANI NAPON	230V~ 50Hz
NOMINALNI ULAZ (MIKROTALASNA)	1050W
NOMINOVANI IZLAZ (MIKROTALASNA)	700W

PREGLED PROIZVODA

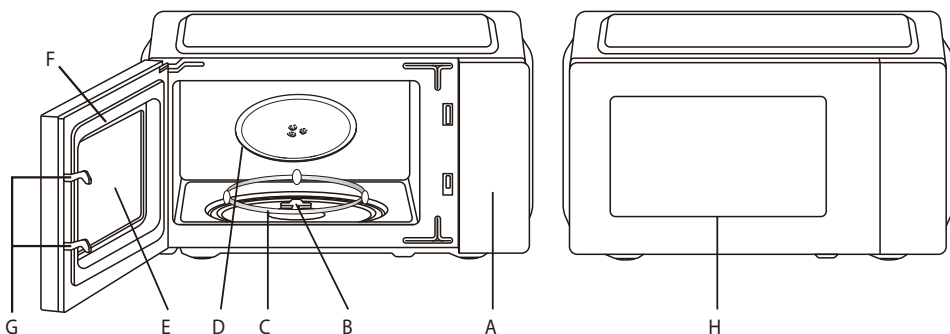
Nazivi delova i pribora rerne

U slučaju bilo kakvih razlika između uređaja i slika u ovom uputstvu, proizvod će imati prednost.

Uklonite rernu i sve materijale iz kartona i šupljine rerne.

Vaša rerna dolazi sa sledećim priborom:

Stakleni podmetač	1
Sklop prstena okretne ploče	1
Uputstvo za upotrebu	1

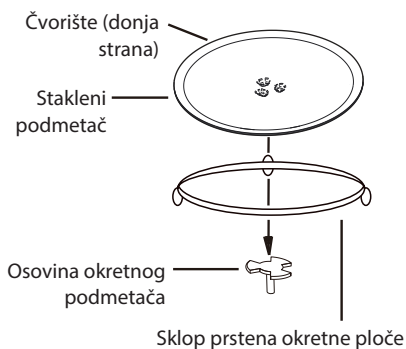


- A) Kontrolna tabla
- B) Osovina okretne ploče
- C) Sklop prstena okretne ploče
- D) Stakleni podmetač

- E) Prozor za posmatranje
- F) Sklop vrata
- G) Sistem sigurnosne blokade
- H) Vrata

SR

Instalacija okretne ploče



- a. Nikada ne postavljajte staklenu posudu naopako. Stakleni podmetač nikada ne bi trebalo da bude ograničen.
- b. I staklena posuda i sklop prstena okretne ploče moraju se uvek koristiti tokom kuvanja.
- c. Sva hrana i posude sa hranom uvek se stavljaju na stakleni podmetač za kuvanje.
- d. Ako stakleni podmetač ili sklop prstena okretnog postolja napuknu ili se slome, kontaktirajte najbliži ovlašćeni servisni centar.

INSTALACIJA PROIZVODA

Instalacija na radnoj površini

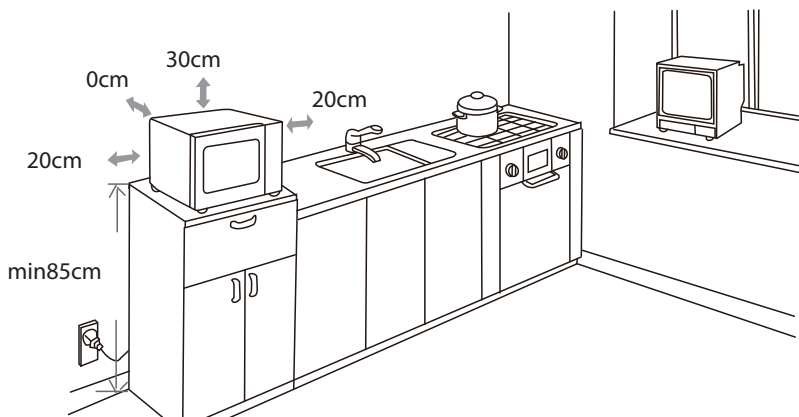
Uklonite sav materijal za pakovanje i pribor. Pregledajte da li rerne ima oštećenja kao što su udubljenja ili slomljena vrata. Ne instalirajte ako je rerne oštećena.

Kućište: Uklonite svu zaštitnu foliju na površini mikrotalasne rerne.

Ne skidajte poklopac talasovoda koji je pričvršćen za šupljinu rerne da biste zaštitili magnetron.

Instalacija

1. Izaberite ravnu površinu koja obezbeđuje dovoljno otvorenog prostora za usisne i/ili izlazne otvore.



- Minimalna visina ugradnje je 85 cm.
- Zadnja površina uređaja treba da bude postavljena uz zid. Ostavite minimalni razmak od 30 cm iznad rerne, minimalni razmak od 20 cm je potreban između pećnice i susjednih zidova.
- Ne skidajte noge sa dna rerne.
- Blokiranje ulaznih i/ili izlaznih otvora može oštetiti rerne
- Postavite rerne što dalje od radija i TV-a. Rad mikrotalasne rerne može uzrokovati smetnje vašem radio ili TV prijemu.

2. Uključite svoju rerne u standardnu kućnu utičnicu. Uverite se da su napon i frekvencija isti kao napon i frekvencija na etiketi.

⚠ UPOZORENJE

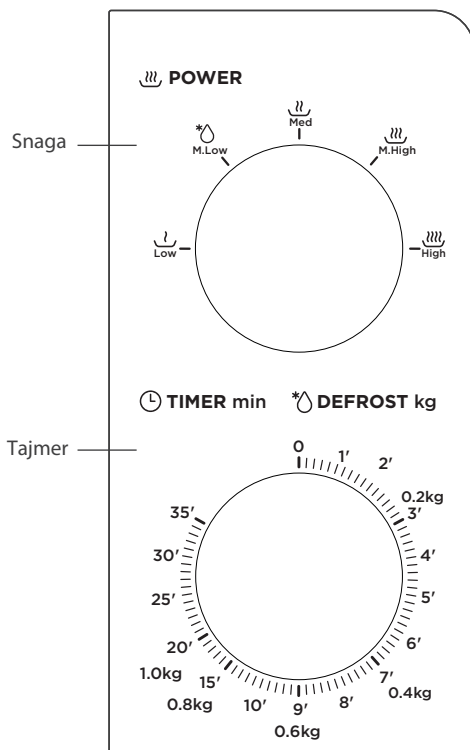
Ne postavljajte rerne preko ploče za kuvanje ili drugog uređaja koji proizvodi toplotu. Ako se rerne instalira u blizini ili iznad izvora toplote, ona bi se mogla oštetiti i garancija bi bila nevažeća.

Dostupna površina može biti vruća tokom rada.



UPUTSTVO ZA RAD

Kontrolna tabla i funkcije



1. Za podešavanje snage kuvanja okrenite dugme za napajanje na željeni nivo.
2. Podesite vreme kuvanja okretanjem dugmeta tajmera na željeno vreme prema vašem uputstvu za kuvanje hrane.
3. Mikrotalasna rerna će automatski početi da kuva nakon podešavanja nivoa snage i vremena.
4. Kada vreme kuvanja istekne, jedinica će se oglasiti tonom "Dong" koji označava zaustavljanje.
5. Ako se jedinica ne koristi, uvek podesite vreme na početnu poziciju.

SR

Funkcija/Snaga	Izlaz	Aplikacija
Low	17% mikro.	Topljenje sladoleda
*M.Low	33% mikro.	Supa čorba, topljenje putera ili odmrzavanje
Med	55% mikro.	Paprikaš, riba
M.High	77% mikro.	Pirinač, riba, piletina, mleveno meso
High	100% mikro.	Zagrejati, mleko, prokuvati vodu, povrće, piće

NAPOMENA Kada vadite hranu iz rerne, uverite se da je napajanje rerne uključeno okretanjem prekidača tajmera o- u početni položaj. Ako to ne učinite i koristite mikrotalasnu rernu bez hrane u njoj, može doći do pregrevanja i oštećenja magnetrona.

ČIŠĆENJE I ODRŽAVANJE

Obavezno isključite uređaj iz napajanja.

- Očistite šupljinu rerne nakon upotrebe lagano vlažnom krpom.
- Očistite pribor na uobičajen način u vodi sa sapunom.
- Okvir vrata i zaptivka i susedni delovi moraju se pažljivo očistiti vlažnom krpom kada su prljavi.
- Nemojte koristiti gruba abrazivna sredstva za čišćenje ili oštre metalne strugače za čišćenje stakla na vratima rerne jer mogu izgubiti površinu, što može dovesti do pucanja stakla.
- Savet za čišćenje --- Za lakše čišćenje zidova šupljina koje kuvana hrana može da dodirne:
Stavite pola limuna u činiju, dodajte 300 ml (1/2 pinta) vode i zagrevajte na 100% mikrotalasnoj rerni 10 minuta. Obrišite rernu mekom, suvom krpom.

REŠAVANJE PROBLEMA


Normalno

Mikrotalasna pećnica ometa TV prijem	Radio i TV prijem mogu biti smetnji kada mikrotalasna rerna radi. Slično je ometanju malih električnih uređaja, kao što su mikser, usisivač i električni ventilator. Ovo je normalno.
Prigušite svetlo u rerni	U mikrotalasnoj rerni male snage, svetlo u rerni može postati prigušeno. Ovo je normalno.
Para se nakuplja na vratima, vruć vazduh izlazi iz ventilacionih otvora	Tokom kuvanja, para može da izađe iz hrane. Većina pare će izaći iz ventilacionih otvora. Ali deo se može nakupiti na hladnom mestu kao što su vrata rerne. Ovo je normalno.
Rerna se slučajno uključila bez hrane.	Zabranjeno je pokretanje jedinice bez hrane. Veoma je opasno.

Problem	Mogući uzrok	Rešenje
Rerna se ne može pokrenuti.	• Kabl za napajanje nije dobro priključen.	• Isključite. Zatim ponovo uključite nakon 10 sekundi.
	• Pregorevanje osigurača ili aktiviranje sklopke.	• Zamenite osigurač ili resetujte sklopku (popravlja stručno osoblje naše kompanije)
	• Problemi sa utičnicom.	• Testirajte utičnicu sa drugim električnim uređajima.
Rerna se ne zagreva.	• Vrata nisu dobro zatvorena.	• Zatvorite vrata dobro.

SR

ZNAKOVI, AUTORSKA PRAVA I PRAVNA IZJAVA

 **Midea** logotip, slovni žigovi, trgovačko ime, robna marka i sve njihove verzije su vredna imovina kompanije Midea Grupe i/ili njenih filijala ("Midea"), na kojima Midea poseduje žigove, autorska prava i druga prava intelektualne svojine, kao i svu dobru volju proisteklu iz korišćenja bilo koji deo zaštitnog znaka Midea. Korišćenje žiga kompanije Midea u komercijalne svrhe bez prethodne pismene saglasnosti kompanije Midea može predstavljati povredu žiga ili nelojalnu konkurenciju u suprotnosti sa relevantnim zakonima.

Ovaj priručnik je kreirala kompanija Midea i kompanija Midea zadržava sva autorska prava. Nijedan entitet ili pojedinac ne može koristiti, umnožavati, modifikovati, distribuirati u celini ili delimično ovaj priručnik, ili pakovati ili prodavati sa drugim proizvodima bez prethodne pismene saglasnosti Midea.

Sve opisane funkcije i uputstva su bile ažurne u vreme štampanja ovog uputstva. Međutim, stvarni proizvod može da varira zbog poboljšanih funkcija i dizajna.

ODLAGANJE I RECIKLAŽA

Važna uputstva za životnu sredinu

Usklađenost sa WEEE direktivom i odlaganje otpadnih proizvoda:

Ovaj proizvod je usklađen sa EU WEEE direktivom (2012/19/EU). Ovaj proizvod nosi klasifikacioni simbol za otpadnu električnu i elektronsku opremu (WEEE).

Ovaj simbol označava da se ovaj proizvod ne sme odlagati sa drugim kućnim otpadom na kraju njegovog radnog veka. Korišćeni uređaj se mora vratiti na zvanično sabirno mesto za reciklažu električnih elektronskih uređaja. Da biste pronašli ove sisteme za prikupljanje, obratite se lokalnim vlastima ili prodavcu kod koga je proizvod kupljen. Svako domaćinstvo ima važnu ulogu u obnavljanju i reciklaži starih uređaja. Odgovarajuće odlaganje iskorišćenog uređaja pomaže u sprečavanju potencijalnih negativnih posledica po životnu sredinu i ljudsko zdravlje.

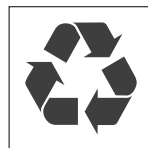


Usklađenost sa RoHS direktivom

Proizvod koji ste kupili je u skladu sa direktivom EU RoHS (2011/65/EU). Ne sadrži štetne i zabranjene materijale navedene u Direktivi.

Informacije o paketu

Materijali za pakovanje proizvoda su proizvedeni od materijala koji se mogu reciklirati u skladu sa našim nacionalnim propisima o životnoj sredini. Nemojte odlagati materijal za pakovanje zajedno sa kućnim ili drugim otpadom. Onesite ih na mesta za sakupljanje ambalažnog materijala koja su odredile lokalne vlasti.



SR

OBAVEŠTENJE O ZAŠTITI PODATAKA

Za pružanje usluga ugovorenih sa kupcem, saglasni smo da ćemo se bez ograničenja pridržavati svih odredbi važećeg zakona o zaštiti podataka, u skladu sa ugovorenim zemljama u kojima će usluge biti isporučene klijentu, kao i, gde je primenljivo, Opšte uredbe EU o zaštiti podataka (GDPR).

Uopšteno govoreći, naša obrada podataka je da ispunimo našu obavezu prema ugovoru sa vama i iz bezbednosnih razloga proizvoda, da zaštitimo vaša prava u vezi sa garancijom i pitanjima registracije proizvoda. U nekim slučajevima, ali samo ako je obezbeđena odgovarajuća zaštita podataka, lični podaci se mogu preneti primaocima koji se nalaze izvan Evropskog ekonomskog prostora.

Dodatne informacije se daju na zahtev. Možete kontaktirati našeg službenika za zaštitu podataka putem **MideaDPO@midea.com**. Da biste ostvarili svoja prava, kao što je pravo na prigovor na obradu vašeg ličnog datuma u svrhe direktnog marketinga, kontaktirajte nas putem **MideaDPO@midea.com**. Da biste pronašli dodatne informacije, pratite QR kod.



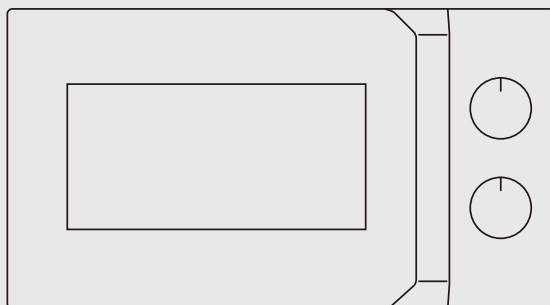
make yourself at home

SR



www.midea.com

© Midea 2024 all rights reserved



BG

МИКРОВОЪЛНОВА ФУРНА

РЪКОВОДСТВО ЗА УПОТРЕБА

MM20CF2E
MM20CF2EBK

Предупреждения: Моля, прочетете внимателно това ръководство, преди да използвате този продукт, и го запазете за бъдещи справки.

С цел подобряване на продукта, дизайнът и спецификациите могат да се променят по всяко време без предизвестие. За повече информация говорете с вашия производител или търговец.

Диаграмата по-горе служи само като ориентир. Моля, считайте, че външният вид на реалния продукт е норма.

БЛАГОДАРИТЕЛНО ПИСМО

Оценяваме, че сте избрали Midea! Моля, прочетете внимателно този наръчник, преди да използвате вашия нов продукт на Midea, за да сте сигурни, че разбирате как да използвате всички негови характеристики и функции по безопасен и отговорен начин.

СЪДЪРЖАНИЕ

БЛАГОДАРИТЕЛНО ПИСМО	BG-01
ИНСТРУКЦИИ ЗА БЕЗОПАСНОСТ	BG-02
СПЕЦИФИКАЦИЯ	BG-11
ПРЕГЛЕД НА ПРОДУКТА	BG-12
МОНТАЖ НА ПРОДУКТА	BG-13
ИНСТРУКЦИЯ ЗА ЕКСПЛОАТАЦИЯ	BG-14
ПОЧИСТВАНЕ И ПОДДРЪЖКА	BG-15
ОТСТРАНЯВАНЕ НА НЕИЗПРАВНОСТИ	BG-16
ТЪРГОВСКИ МАРКИ, АВТОРСКИ ПРАВА И ПРАВНА ДЕКЛАРАЦИЯ	BG-17
ИЗХВЪРЛЯНЕ И РЕЦИКЛИРАНЕ	BG-18
СЪОБЩЕНИЕ ЗА ЗАЩИТА НА ДАННИТЕ	BG-19

ИНСТРУКЦИИ ЗА БЕЗОПАСНОСТ

Предназначение

Следващите инструкции за безопасност имат за цел да предпазят от непредвидени опасности или щети, произтичащи от използване на уреда по небезопасен или неправилен начин. За да осигурите безопасна работа, моля, уверете се, че уредът и неговата опаковка са в добро състояние, когато ги получите. Моля, свържете се с дилъра или търговеца на дребно, ако откриете някаква повреда. Моля, имайте предвид, че промените или добавките към уреда са забранени поради съображения за безопасност. Рискове и загуба на гаранционни претенции могат да възникнат в резултат на неволно използване.

Обяснение на символите



Опасност

Този символ предупреждава хората за възможността изключително запалим газ да застраши живота или здравето им.



Предупреждение за електрическо напрежение

Този символ показва, че има опасност за живота и здравето на хората поради напрежение.



Внимание

Сигналната дума обозначава опасност със среден риск, която, ако бъде пренебрегната, може да причини смърт или тежки наранявания.



Внимание

Сигналната дума показва опасност с ниска степен на риск, която, ако не бъде избегната, може да доведе до леко или средно нараняване.



Внимание

Сигналната дума показва важна информация (напр. материални щети), но не и опасност.



Спазвайте инструкциите

Този символ показва, че сервизен техник трябва да работи и поддържа този уред само в съответствие с инструкциите за експлоатация.

Прочетете тези инструкции за експлоатация внимателно и внимателно преди да използвате/пуснете уреда в експлоатация и ги дръжте в непосредствена близост до мястото на монтаж или уреда за по-късна употреба!

Предпазни мерки за избягване на възможно излагане на прекомерна микровълнова енергия

- a. Избягвайте да използвате тази фурна, докато вратата е отворена, тъй като това може да ви изложи на опасно микровълново лъчение. От решаващо значение е предпазните блокировки да бъдат непокътнати и непроменени.
- b. Избягвайте да поставяте каквото и да било на пътя на предната страна и вратата на фурната, както и да оставяте мръсотия или остатъци от препарати да се натрупват върху уплътнителните повърхности.
- c. ПРЕДУПРЕЖДЕНИЕ: Фурната не трябва да се използва, докато не бъде поправена от квалифицирано лице, ако вратата или уплътненията на вратата са повредени.

Допълнение

В случай, че устройството не се поддържа чисто, повърхността му може да се влоши, намалявайки живота му и създавайки потенциално опасен сценарий

Важни инструкции за безопасност

▲ ВНИМАНИЕ

Когато използвате вашия уред, вземете следните прости предпазни мерки, за да намалите риска от токов удар, пожар, нараняване на хора или излагане на прекомерна енергия от микровълновата фурна:

- Обърнете внимание на особеностите в "ПРЕДПАЗНИ МЕРКИ ЗА ИЗБЯГВАНЕ НА ВЪЗМОЖНО ИЗЛАГАНЕ НА ПРЕКОЛЕМНО СИЛНА МИКРОВЪЛНОВА ЕНЕРГИЯ" и ги спазвайте.
- Този уред не е предназначен да се използва от хора (включително деца), които имат намалени физически, сетивни или умствени способности, или които нямат опит и познания, освен ако някой, който отговаря за тяхната безопасност, не ги е надзиравал или инструктирал как да използвате уреда.
- За да предотвратите опасности, децата трябва да бъдат наблюдавани, за да сте сигурни, че не си играят с уреда.
- Ако захранващият кабел се повреди, той трябва да бъде заменен от производителя, негов сервизен агент или някой друг квалифициран в същата област. (За устройства, които имат приставка тип Y).
- ПРЕДУПРЕЖДЕНИЕ: За да предотвратите риска от токов удар, уверете се, че уредът е изключен, преди да смените лампата.
- ПРЕДУПРЕЖДЕНИЕ: Всяка операция по обслужване или ремонт, включваща отстраняване на капак, който осигурява защита срещу излагане на микровълнова енергия, е опасно да се извършва от всеки, различен от компетентен специалист.
- Внимание: Избягвайте да нагрявате течности или други храни в запечатани контейнери, тъй като те могат да се пръснат.

- Когато загревате храна в пластмасови или хартиени съдове, наблюдавайте фурната поради възможността от запалване.
- Използвайте само съдове, които са подходящи за употреба в микровълнови фурни.
- Ако се отделя дим, трябва да се изключи или да се извади щепсела от контакта. Вратата трябва да се държи затворена, за да се изгасят всички пламъци.
- Бъдете внимателни, когато боравите с контейнера, тъй като микровълновото нагриване на напитките може да причини забавено кипене.
- За да предотвратите изгаряния, съдържанието на бурканчетата с бебешка храна и шишетата за хранене трябва да се разклати или разклати и да се провери температурата им преди консумация.
- Твърдо сварените яйца и яйцата с черупки не трябва да се нагриват в микровълнова фурна, тъй като могат да експлодират дори след като цикълът на микровълново нагриване е приключил.
- Фурната трябва да се почиства редовно и всички остатъци от храна да се отстраняват.
- Неподдържането на фурната чиста може да доведе до повреждане на повърхността, което може да повлияе негативно на живота на уреда и евентуално да създаде опасна ситуация.
- Уредът не трябва да се поставя зад декоративна врата, за да се предотврати прегряване. (Не се прилага за уреди с декоративни врати.)
- Използвайте само препоръчаната за фурната температурна сонда. (За фурни, които имат налична сонда за измерване на температурата.)
- Микровълновата фурна не трябва да се поставя в шкаф, освен ако не е тествана в шкаф.

- Микровълновата фурна трябва да работи при отворена декоративна врата. (за фурни с декоративна врата.)
- Този уред е предназначен да се използва в домакинството и за подобни приложения, като например:
 - кухненски помещения за персонала в магазини, офиси и други работни помещения
 - от клиенти в хотели, мотели и други жилищни среди;
 - селски къщи;
 - среда тип нощувка и закуска.
- Храната и напитките се затоплят в микровълнова фурна. Съществува риск от нараняване, пожар или възпламеняване, когато храна или дрехи се сушат или нагряват, както и при затопляне на подложки, чехли, гъби, влажни кърпи и подобни предмети.
- При готвене в микровълнова фурна не се допуска използването на метални съдове за храна и напитки.
- Използването на парочистачка за почистване на микровълновата е забранено;
- Уредът е предназначен да работи самостоятелно.
- Задните повърхности на уредите трябва да са разположени срещу стените.

ПРОЧЕТЕТЕ ВНИМАТЕЛНО И ЗАПАЗЕТЕ ЗА БЪДЕЩИ СПРАВКИ

За да намалите риска от нараняване на хора Инсталиране на заземяване

⚠ ОПАСНОСТ

Опасност от токов удар

Някои вътрешни части могат да бъдат фатално повредени или сериозно наранени, ако бъдат докоснати. Никога не разглобявайте този уред.

⚠ ВНИМАНИЕ

Опасност от токов удар

Токов удар може да възникне, ако заземяването не се използва правилно.

Докато уредът не е правилно инсталиран и заземен, не го включвайте в контакт.

Необходимо е да заземите този уред. Като предлага спасителен проводник за електрическия ток в случай на късо съединение, заземяването намалява риска от токов удар.

Този уред се доставя с кабел, който има заземяващ щепсел и проводник, прикрепен към него. Щепселът трябва да бъде поставен в заземен, правилно инсталиран контакт.

Ако имате въпроси относно това дали уредът е правилно заземен или ако не разбирате напълно инструкциите за заземяване, потърсете съвет от квалифициран електротехник или сервизен специалист.

Ако е необходимо да използвате удължителен кабел, използвайте само 3-жилен удължителен кабел.

- Осигурен е къс захранващ кабел, за да се намалят рисковете в резултат на заплитане или спъване в по-дълъг кабел.

- Ако се използва дълъг комплект кабели или удължителен кабел:
 - Маркираната електрическа мощност на комплекта кабели или удължителния кабел трябва да бъде поне толкова голяма, колкото електрическата мощност на уреда.
 - Удължителният кабел трябва да е 3-жилен кабел със заземяване.
 - Дългият кабел трябва да бъде разположен така, че да не виси над плота или масата, където децата биха могли да го дърпат или случайно да се спънат в него.

ВНИМАНИЕ

Всяка операция по обслужване или ремонт, включваща отстраняване на капак, който осигурява защита срещу излагане на микровълнова енергия, е опасно да се извършва от всеки, който не е компетентно лице.

Консултирайте се с насоките, предоставени в "Материали, които трябва да се избягват в микровълнова фурна, или материали, които можете да използвате в микровълнова фурна".

Някои неметални прибори може да не са подходящи за използване в микровълнова фурна. Ако не сте сигурни, можете да използвате метода по-долу, за да тествате въпросния прибор.

Тест за съдове:

- Поставете въпросния съд и една чаша (250 ml) студена вода в подходящ за микровълнова фурна съд.
- Гответе една минута на максимална мощност.
- Пипайте внимателно прибора. Никога не използвайте празен съд за готвене в микровълнова фурна, ако е още топъл.
- Не гответе повече от една минута.

Материали, които можете да използвате в микровълнова фурна

Посуда	Забележки
Съд за запичане	Спазвайте указанията на производителя. Дъното на съда за печене трябва да е на поне 5 мм (3/16 инча) над въртящата се поставка. Неправилната употреба може да доведе до счупване на грамофона.
Сервиси за хранене	Безопасен само в микровълнова печка. Спазвайте указанията на производителя. Използвайте само неповредени или напукани съдове.
Съглени буркани	Сваляйте капака през цялото време. Използвайте само за леко претопляне на храна. Повечето съглени буркани са крехки и не са устойчиви на топлина.
Съглария	Използвайте само съглени съдове, подходящи за фурна. Уверете се, че няма метална облицовка. Използвайте само неповредени или напукани съдове.
Торбички за готвене на фурна	Следвайте инструкциите на производителя. Не затваряйте с метална връзка. Направете прорези, за да може парата да излиза.
Хартиени чинии и чаши	Използвайте само за краткотрайно готвене/затопляне. Не оставяйте фурната без надзор, докато готвите.
Хартиени кърпи	Използвайте за покриване на храна за претопляне и абсорбиране на мазнина. Използвайте под надзор само за краткотрайно готвене.
Пергаментова хартия	Използвайте като покривало за предотвратяване на пръски или обвивка за задушаване.
Пластмаса	Безопасен само в микровълнова печка. Според указанията на производителя. Трябва да има етикет "Безопасно за микровълнова печка". Някои пластмасови контейнери стават по-меки, когато храната се нагрива вътре. Както е указано на опаковката, "торбичките за варене" и плътно затворените найлонови торбички трябва да бъдат нарязани, пробити или вентилирани.
Пластмасова опаковка	Само за микровълнова печка. Използвайте за покриване на храна по време на готвене, за да запазите влагата. Не позволявайте найлоновото фолио да докосва храната.
Термометри	Само за микровълнова печка (термометри за месо и бонбони).
Восъчна хартия	Използвайте като покритие за предотвратяване на пръски и задържане на влага.

Материали, които трябва да се избягват в микровълнова фурна

Посуда	Забележки
Алуминиева тава	Може да причини дъгова дъга. Прехвърлете храната в подходяща за микровълнова фурна чиния.
Кашон за храна с метална дръжка	Може да причини дъгова дъга. Прехвърлете храната в подходяща за микровълнова фурна чиния.
Метални или метални прибори	Металът предпазва храната от микровълновата енергия. Металната облицовка може да причини дъгова дъга.
Метални усукани връзки	Може да причини дъгова дъга и пожар във фурната.
Хартиени торби	Може да причини пожар във фурната.
Пластмасова пяна	Пластмасовата пяна може да се стопи или да замърси течността вътре, когато е изложена на висока температура.
дърво	Дървото ще изсърне, когато се използва в микровълнова фурна и може да се разцепи или напука.

СПЕЦИФИКАЦИЯ

МОДЕЛ	MM20CF2E/MM20CF2EBK
НОМИНАЛНО НАПРЕЖЕНИЕ	230V~ 50Hz
НОМИНАЛЕН ВХОД (МИКРОВЪЛНОВА)	1050W
НОМИНАЛНА МОЩНОСТ (МИКРОВЪЛНОВА)	700W

ПРЕГЛЕД НА ПРОДУКТА

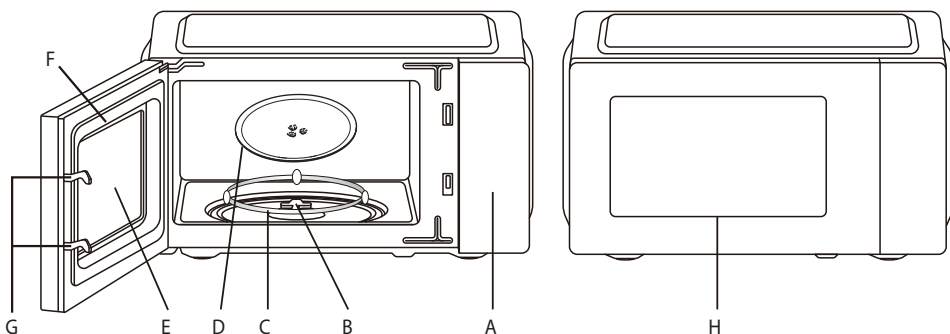
Имена на частите и аксесоарите на фурната

В случай на разлики между уреда и снимките в това ръководство, продуктът има предимство.

Извадете фурната и всички материали от картонената кутия и вътрешността на фурната.

Вашата фурна се доставя със следните аксесоари:

Стъклен поднос	1
Монтаж на въртящ се пръстен	1
Инструкция за употреба	1



- A) Контролен панел
- B) Вал на въртяща се маса
- C) Въртящ се пръстен
- D) Стъклена тава

- E) Прозорец за наблюдение
- F) Сглобяване на врата
- G) Система за блокиране на безопасността
- H) Врата

BG

Монтаж на грамофон



- a. Никога не поставяйте стъклената тава с главата надолу. Стъклената тава никога не трябва да се ограничава.
- b. По време на готвене винаги трябва да се използват както стъклената тава, така и въртящият се пръстен.
- c. Всички храни и контейнери с храна винаги се поставят върху стъклената тава за готвене.
- d. Ако стъклената тава или пръстенът на въртящата се маса се напука или счупи, свържете се с най-близкия оторизиран сервизен център.

МОНТАЖ НА ПРОДУКТА

Монтаж на плот

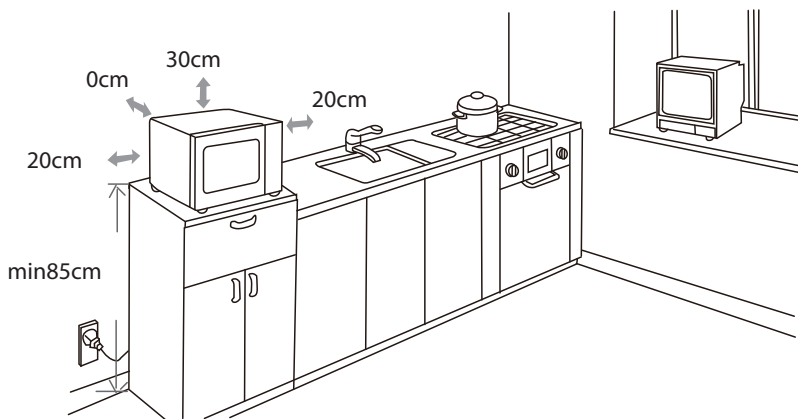
Отстранете всички опаковъчни материали и аксесоари. Проверете фурната за повреди като вдлъбнатини или счупена врата. Не монтирайте, ако фурната е повредена.

Шкаф: Отстранете всяко защитно фолио, намерено върху повърхността на шкафа на микровълновата фурна.

Не отстранявайте капака на вълновода, който е прикрепен към кухината на фурната, за да защитите магнетрона.

Инсталация

1. Изберете равна повърхност, която осигурява достатъчно отворено пространство за всмукателните и/или изходните отвори.



- Минималната монтажна височина е 85cm.
 - Задната повърхност на уреда трябва да бъде поставена срещу стена. Оставете минимално разстояние от 30 см над фурната, необходимо е минимално разстояние от 20 см между фурната и всички съседни стени.
 - Не изваждайте бутчетата от дъното на фурната.
 - Блокирането на входните и/или изходните отвори може да повреди фурната
 - Поставете фурната възможно най-далеч от радио и телевизор. Работата на микровълновата фурна може да причини смущения във вашето радио или телевизионно приемане.
2. Свържете вашата фурна към обикновен домашен електрически контакт. Проверете, за да се уверите, че напрежението и честотата съответстват на тези, посочени на етикета с номинални данни.

⚠ ВНИМАНИЕ

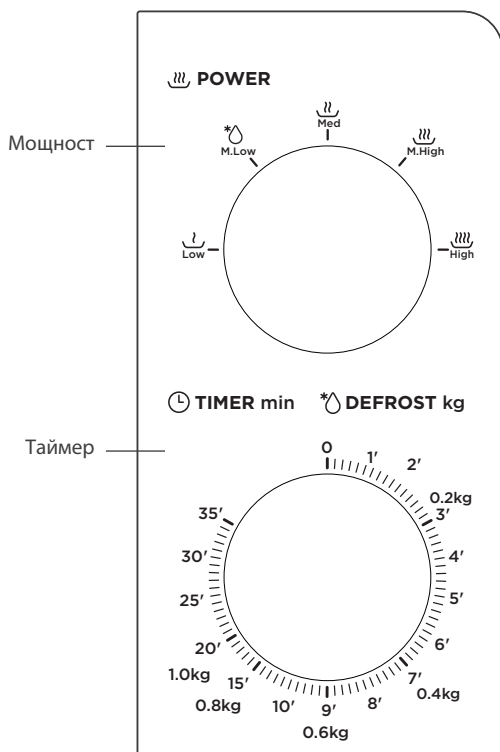
Не монтирайте фурната над готварски плот или друг уред, произвеждащ топлина. Ако се монтира близо до или над източник на топлина, фурната може да се повреди и гаранцията ще бъде невалидна.

Достъпната повърхност може да е гореща по време на работа.



ИНСТРУКЦИЯ ЗА ЕКСПЛОАТАЦИЯ

Контролен панел и функции



1. За да регулирате мощността на готвене, завъртете копчето за мощност на желаната настройка.
2. За да регулирате времето за готвене, завъртете копчето на таймера до желаната продължителност, както е указано в ръководството за готвене на вашата храна.
3. След регулиране на времето и нивата на мощност, микровълновата фурна ще започне да готви автоматично.
4. Устройството ще покаже "Dong", за да покаже, че времето за готвене е приключило.
5. Винаги нулирайте часа до началната точка, когато устройството не се използва.

Функция/Мощност	Изход	Приложение
Low	17% микро.	Омекотете сладоледа
M.Low	33% микро.	Супата се задушавя, размеква маслото или се размразява
Med	55% микро.	Яхния, риба
M.High	77% микро.	Ориз, риба, пиле, смяно месо
High	100% микро.	Претопляне, мляко, кипене на вода, зеленчуци, напитки

ЗАБЕЛЕЖКА Моля, уверете се, че фурната е изключена, като завъртите превключвателя на таймера на първа позиция, преди да извадите храна от фурната. Ако не го направите, рискувате да прегреете и да повредите магнетрона, като използвате микровълновата фурна без храна вътре.

ПОЧИСТВАНЕ И ПОДДРЪЖКА

Не забравяйте да изключите уреда от захранването.

- След употреба почистете кухнята на фурната с леко влажна кърпа.
- Почистете аксесоарите по обичайния начин в сапунена вода.
- Рамката и уплътнението на вратата и съседните части трябва да се почистват внимателно с влажна кърпа, когато са замърсени.
- Не използвайте груби абразивни почистващи препарати или остри метални стъргалки за почистване на стъклото на вратата на фурната, тъй като те могат да надраскат повърхността, което може да доведе до счупване на стъклото.
- Съвет за почистване--За по-лесно почистване на стените на кухнята, които приготвената храна може да докосне:


Поставете половин лимон в купа, напълнете с 300 ml (1/2 пинта) вода и загрейте в микровълновата за 10 минути на 100% мощност. За почистване на фурната трябва да се използва нежна, суха кърпа.

ОТСТРАНЯВАНЕ НА НЕИЗПРАВНОСТИ

нормално	
Микровълновата фурна пречи на телевизионното приемане	Приемането на радио и телевизия може да има смущения, когато микровълновата фурна работи. Подобно е на смущенията на малки електрически уреди, като миксер, прахосмукачка и електрически вентилатор. Това е нормално.
Приглушена светлина на фурната	При готвене в микровълнова фурна с ниска мощност светлината във фурната може да стане слаба. Това е нормално.
Натрупване на пара на вратата, горещ въздух от вентилационните отвори	При готвене от храната може да излиза пара. Повечето ще излязат от вентилационни отвори. Но някои могат да се натрупат на хладно място като вратата на фурната. Това е нормално.
Фурната стартира случайно без храна.	Забранено е работата на уреда без храна вътре. Ова е много опасно.

неприятности	Възможна причина	средство за защита
Фурната не може да се стартира.	• Захранващият кабел не е включен плътно.	• Изключете щепсела. След това включете отново след 10 секунди.
	• Изгорял предпазител или прекъсвачът работи.	• Сменете предпазителя или нулирайте прекъсвача (ремонтиран от професионален персонал на нашата компания)
	• Проблем с контакта.	• Тествайте контакта с други електрически уреди.
Фурната не загрява.	• Вратата не е затворена добре.	• Затворете добре вратата.

ТЪРГОВСКИ МАРКИ, АВТОРСКИ ПРАВА И ПРАВНА ДЕКЛАРАЦИЯ

 Midea лого, словни марки, търговско име, търговско облекло и всички техни версии са ценни активи на Midea Group и/или нейните филиали ("Midea"), на които Midea притежава търговски марки, авторски права и други права върху интелектуалната собственост, както и цялата репутация, получена от използването всяка част от търговска марка Midea. Използването на търговска марка Midea за търговски цели без предварителното писмено съгласие на Midea може да представлява нарушение на търговска марка или нелоялна конкуренция в нарушение на съответните закони.

Това ръководство е създадено от Midea и Midea си запазва всички авторски права върху него. Нито едно юридическо или физическо лице не може да използва, дублира, модифицира, разпространява изцяло или частично това ръководство, или да свързва или продава с други продукти без предварителното писмено съгласие на Midea.

Всички описани функции и инструкции са били актуални към момента на отпечатване на това ръководство. Действителният продукт обаче може да варира поради подобрени функции и дизайн.

ИЗХВЪРЛЯНЕ И РЕЦИКЛИРАНЕ

Важни инструкции за околната среда

Съответствие с Директивата за ОЕЕО и изхвърляне на отпадъчния продукт:

Този продукт е в съответствие с Директивата на ЕС за WEEE (2012/19/EC). Този продукт носи класификационен символ за отпадъци от електрическо и електронно оборудване (WEEE).

Този символ показва, че този продукт не трябва да се изхвърля с други битови отпадъци в края на експлоатационния му живот. Използваното устройство трябва да бъде върнато в официалния събирателен пункт за рециклиране на електрически електронни устройства. За да намерите тези системи за събиране, моля, свържете се с местните власти или търговец на дребно, откъдето е закупен продуктът. Всяко домакинство играе важна роля при възстановяването и рециклирането на стари уреди. Правилното изхвърляне на използвания уред помага за предотвратяване на потенциални негативни последици за околната среда и човешкото здраве.



Съответствие с директивата RoHS

Продуктът, който сте закупили, отговаря на Директивата на ЕС RoHS (2011/65/EU). Не съдържа вредни и забранени материали, посочени в Директивата.

Информация за пакета

Опаковъчните материали на продукта са произведени от рециклируеми материали в съответствие с нашите национални разпоредби за околната среда. Не изхвърляйте опаковъчните материали заедно с битовите или други отпадъци. Занесете ги в пунктовете за събиране на опаковъчни материали, определени от местните власти.



СЪОБЩЕНИЕ ЗА ЗАЩИТА НА ДАННИТЕ

За предоставяне на договорените с клиента услуги, ние се съгласяваме да спазваме без ограничения всички разпоредби на приложимото законодателство за защита на данните, в съответствие с договорените държави, в които ще се предоставят услуги на клиента, както и, когато е приложимо, Общия регламент за защита на данните на ЕС (GDPR).

По принцип нашата обработка на данни е за изпълнение на задължението ни по договор с вас и от съображения за безопасност на продукта, за да защитим правата ви във връзка с въпроси относно гаранцията и регистрацията на продукта. В някои случаи, но само ако е осигурена подходяща защита на данните, личните данни могат да бъдат прехвърлени на получатели, намиращи се извън Европейското икономическо пространство.

Допълнителна информация се предоставя при поискване. Можете да се свържете с нашия служител по защита на данните чрез **MideaDPO@midea.com**. За да упражните правата си, като правото да възразите, че вашата лична дата се обработва за целите на директния маркетинг, моля, свържете се с нас чрез **MideaDPO@midea.com**. За да намерите допълнителна информация, моля, следвайте QR кода.



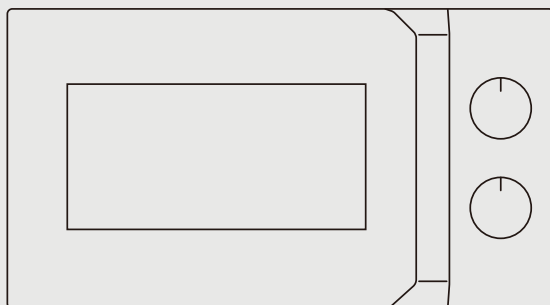
make yourself at home

BG



www.midea.com

© Midea 2024 all rights reserved



HR

MIKROVALNA PEĆNICA

KORISNIČKI PRIRUČNIK

MM20CF2E
MM20CF2EBK

Obavijesti za upozorenja: Prije uporabe ovog proizvoda pažljivo pročitajte ovaj priručnik i sačuvajte ga za buduću upotrebu. Dizajn i specifikacije podložni su promjenama bez prethodne obavijesti radi poboljšanja proizvoda. Za pojedinih se obratite svom prodavaču ili proizvođaču.

Gornji dijagram je samo za referencu. Uzmite izgled stvarnog proizvoda kao standard.

PISMO ZAHVALE

Hvala vam što ste odabrali tvrtku Midea! Prije uporabe vašeg novog Midea proizvoda, molimo pročitajte ovaj priručnik pažljivo kako biste znali kako raditi s funkcijama i osobinama koje vaš novi uređaj nudi na siguran način.

SADRŽAJ

PISMO ZAHVALE	HR-01
SIGURNOSNE UPUTE	HR-02
SPECIFIKACIJA	HR-11
PREGLED PROIZVODA	HR-12
INSTALACIJA PROIZVODA	HR-13
UPUTE ZA RAD	HR-14
ČIŠĆENJE I ODRŽAVANJE	HR-15
RJEŠAVANJE PROBLEMA	HR-16
ZAŠTITNI ZNAK, AUTORSKA PRAVA I PRAVNA IZJAVA	HR-17
ODLAGANJE I RECIKLIRANJE	HR-18
OBAVIJEST O ZAŠTITI PODATAKA	HR-19

SIGURNOSNE UPUTE

Namjena

Sljedeće smjernice namijenjene su da spriječe nepredviđene rizike ili štetu od nesigurnog ili neispravnog rada uređaja. Molimo provjerite pakovanje i uređaj pri dolasku kako biste se uvjerali da je sve netaknuto kako bi se osigurao siguran rad. Ako pronađete bilo kakvo oštećenje molimo kontaktirati trgovca. Molimo imajte na umu da izmjene ili zamjene na uređaju nisu dozvoljene zbog vaše sigurnosti. Nenamjenska uporaba može uzrokovati opasnostima i gubitkom potraživanja vezanih uz jamstvo.

Objašnjenje simbola



Opasnost

Ovaj simbol pokazuje da postoje opasnosti po život i zdravlje osoba zbog izuzetno zapaljivih plinova.



Upozorenje na strujni napon

Ovaj simbol pokazuje da postoji opasnost po život i zdravlje osoba zbog napona.



Upozorenje

Signalna riječ pokazuje opasnost sa srednjom razinom rizika koji, ako se ne izbjegne, može dovesti do smrti ili ozbiljne ozljede.



Oprez

Signalna riječ pokazuje opasnost s niskim stupnjem rizika koji, ako se ne izbjegne, može dovesti do manje ili srednje ozljede.



Pozornost

Signalna riječ ukazuje na važne informacije (primjerice oštećenje imovine) ali ne na opasnost.



Posmatrajte upute

Ovaj simbol pokazuje da bi servisni tehničar trebao raditi s ovim uređajem i održavati ga sukladno uputama za rad.

Pozorno pročitajte ove upute za rad prije uporabe/ puštanja u pogon jedinice i držite ih u neposrednoj blizini mjesta postavljanja ili jedinice za kasniju uporabu!

Mjere opreza kako bi se izbjeglo moguće izlaganje prekomjernoj mikrovalnoj energiji

- a. Ne pokušavajte upravljati ovom pećnicom s otvorenim vratima jer to može rezultirati štetnom izlaganjem mikrovalnoj energiji. Važno je da ne polomite niti da dirate sigurnosne blokade.
- b. Ne postavljajte nijedan predmet između prednjeg dijela pećnice i vrata ili dopustite da se tlo ili čistiji ostaci nakupljaju na brtvenim površinama.
- c. UPOZORENJE: Ako su brtve vrata ili vrata oštećena, pećnica se ne smije raditi dok je ne popravi kompetentna osoba.

Dodatak

Ako se uređaj ne održava u dobrom stanju čistoće, njegova bi se površina mogla oštetiti i utjecati na životni vijek uređaja te dovesti do opasne situacije.

Važne sigurnosne upute

▲ UPOZORENJE

Kako biste smanjili rizik od požara, strujnog udara, ozljeda osoba ili izlaganja prekomjernoj energiji mikrovalne pećnice tijekom korištenja vašeg uređaja, pridržavajte se osnovnih mjera opreza, uključujući sljedeće:

- Pročitajte i slijedite određene: "MJERE OPREZA ZA IZBJEGAVANJE MOGUĆEG IZLAGANJA PREKOMJERNOJ MIKROVALNOJ ENERGIJI".
- Ovaj uređaj nije namijenjen za korištenje od strane osoba (uključujući djecu) sa smanjenim fizičkim, osjetilnim ili mentalnim sposobnostima, ili nedostatkom iskustva i znanja, osim ako nisu pod nadzorom ili su dobili upute o korištenju uređaja od strane osobe odgovorne za njihovu sigurnost.
- Djecu treba nadzirati kako bi se osiguralo da se ne igraju s uređajem.
- Ako je kabel za napajanje oštećen, mora ga zamijeniti proizvođač, njegov serviser ili slično kvalificirana osoba kako bi se izbjegla opasnost. (Za uređaj s priključkom tipa Y).
- UPOZORENJE: Uvjerite se da je uređaj isključen prije zamjene žarulje kako biste izbjegli mogućnost električnog udara.
- UPOZORENJE: Opasno je da bilo tko osim kompetentne osobe obavlja bilo koju uslugu ili popravak koji uključuje uklanjanje pokrova koji pruža zaštitu od izloženosti mikrovalnoj energiji.
- UPOZORENJE: Tekućine i druga hrana ne smiju se zagrijavati u zatvorenim posudama jer mogu eksplodirati.
- Pri zagrijavanju hrane u plastičnim ili papirnim posudama, pripazite na pećnicu zbog mogućnosti paljenja.
- Koristite samo posude koje su prikladne za upotrebu u mikrovalnim pećnicama.

- Ako se pojavi dim, isključite ili izvucite utikač iz struje i ostavite vrata zatvorena kako biste ugušili plamen.
- Mikrovalno grijanje pića može rezultirati odgođenim eruptivnim ključanjem, pa se prilikom rukovanja s spremnikom mora voditi računa.
- Sadržaj boca za hranjenje i staklenke za dječju hranu treba miješati ili protresti, a temperatura provjerava prije konzumacije, kako bi se izbjegle opekline.
- Jaja u ljusci i cijela tvrdo kuhana jaja ne smiju se zagrijavati u mikrovalnim pećnicama jer mogu eksplodirati, čak i nakon završetka grijanja mikrovalne pećnice.
- Pećnicu treba redovito čistiti i uklanjati sve naslage hrane.
- Neodržavanje pećnice u čistom stanju moglo bi dovesti do propadanja površine što bi moglo nepovoljno utjecati na vijek trajanja uređaja i moguće dovesti do opasne situacije.
- Uređaj se ne smije ugraditi iza ukrasnih vrata kako bi se izbjeglo pregrijavanje. (Ovo ne vrijedi za uređaje s ukrasnim vratima.)
- Koristite samo temperaturnu sondu preporučenu za ovu pećnicu. (za pećnice koje imaju mogućnost korištenja sonde za mjerenje temperature.)
- Mikrovalna pećnica se ne smije stavljati u ormarić osim ako je testirana u kućištu.
- Mikrovalna pećnica mora se koristiti s otvorenim ukrasnim vratima. (Za pećnice s ukrasnim vratima.)
- Ovaj uređaj je namijenjen za korištenje u kućanstvu i slične primjene kao što su:
 - kuhinje za osoblje u trgovinama, uredima i drugim radnim okruženjima;
 - od strane klijenata u hotelima, motelima i drugim stambenim sredinama;
 - seoske kuće;
 - okruženja tipa prenoćišta s doručkom.

- Mikrovalna pećnica namijenjena je grijanju hrane i pića. Sušenje hrane ili odjeće i grijanje jastučića za zagrijavanje, papuča, spužva, vlažne tkanine i sličnog može dovesti do rizika od ozljeda, paljenja ili vatre.
- Metalni spremnici za hranu i pića nisu dopušteni tijekom mikrovalnog kuhanja.
- Uređaj se ne smije čistiti parnim čistačem.
- Uređaj je namijenjen korištenju uz samostalno stajanje.
- Stražnja površina uređaja mora biti postavljena uza zid.

**PAŽLJIVO PROČITAJTE I SAČUVAJTE ZA BUDUĆU
REFERENCU**

Kako bi se smanjio rizik od ozljeda osoba prilikom instalacije uzemljenja

⚠ OPASNOST

Opasnost od strujnog udara

Dodirivanje nekih unutarnjih komponenti može uzrokovati ozbiljne ozljede ili smrt. Nemojte rastavljati ovaj uređaj.

⚠ UPOZORENJE

Opasnost od strujnog udara

Neispravno korištenje uzemljenja može dovesti do strujnog udara.

Ne uključujte u utičnicu dok uređaj nije ispravno instaliran i uzemljen.

Ovaj uređaj mora biti uzemljen. U slučaju električnog kratkog spoja, uzemljenje smanjuje rizik od strujnog udara pružajući izlaznu žicu za električnu struju.

Ovaj uređaj je opremljen kabelom koji ima žicu za uzemljenje s utikačem za uzemljenje. Utikač mora biti uključen u utičnicu koja je ispravno instalirana i uzemljena.

Obratite se kvalificiranom električaru ili serviseru ako niste u potpunosti razumjeli upute za uzemljenje ili ako postoji sumnja je li uređaj pravilno uzemljen.

Ako je potrebno koristiti produžni kabel, koristite samo 3-žilni produžni kabel.

- Isporučuje se kratki kabel za napajanje kako bi se smanjio rizik od zapetljanja ili spoticanja o dulji kabel.

- Ako se koristi dugačak kabel ili produžni kabel:
 - Označena električna vrijednost kompleta kabela ili produžnog kabela trebala bi biti barem jednako velika kao električna vrijednost uređaja.
 - Produžni kabel mora biti trožilni kabel s uzemljenjem.
 - Dugi kabel treba namjestiti tako da ne prelazi preko radne površine ili stola gdje ga djeca mogu povući ili se nenamjerno spotaknuti.

Posuđe

Oprez

Opasno je da bilo tko osim kompetentne osobe obavlja bilo koju uslugu ili popravak koji uključuje uklanjanje pokrova koji pruža zaštitu od izloženosti mikrovalnoj energiji.

Pogledajte upute o "Materijalima koje možete koristiti u mikrovalnoj pećnici ili koje treba izbjegavati u mikrovalnoj pećnici."

Možda postoji određeno nemetalno posuđe koje nije sigurno koristiti u mikrovalnoj pećnici. Ako ste u nedoumici, možete testirati predmetno posuđe slijedeći postupak u nastavku.

Test posuđa:

- Napunite posudu prikladnu za mikrovalnu pećnicu s 1 šalicom hladne vode (250 ml) zajedno s predmetnim posuđem.
- Kuhajte na najvećoj snazi 1 minutu.
- Pažljivo opipajte pribor. Ako je prazna posuda topla, nemojte je koristiti za kuhanje u mikrovalnoj pećnici.
- Nemojte prekoračiti vrijeme kuhanja od 1 minute.

Materijali koje možete koristiti u mikrovalnoj pećnici

Posuđe	Primjedbe
Posuda za pečenje	Slijedite upute proizvođača. Dno posude za pečenje mora biti najmanje 3/16 inča (5 mm) iznad okretnog postolja. Nepravilna uporaba može uzrokovati lom okretnog postolja.
Posuđe za jelo	Samo za mikrovalnu pećnicu. Slijedite upute proizvođača. Nemojte koristiti napuklo ili okrnuto posuđe.
Staklene posude	Uvijek uklonite poklopac. Koristite samo za zagrijavanje hrane dok nije topla. Većina staklenih posuda nije otporna na toplinu i može se slomiti.
Stakleno posuđe	Samo stakleno posuđe otporno na toplinu. Uvjerite se da nema metalnih ukrasa. Nemojte koristiti napuklo ili okrnuto posuđe.
Vrećice za kuhanje u pećnici	Slijedite upute proizvođača. Nemojte zatvarati metalnom vezicom. Napravite proreze kako bi para izašla.
Papirnati tanjuri i čaše	Koristite samo za kratkotrajno kuhanje/grijanje. Ne ostavljajte pećnicu bez nadzora tijekom kuhanja.
Papirnati ručnici	Koristi se za pokrivanje hrane za podgrijavanje i upijanje masnoće. Koristite uz nadzor samo za kratkotrajno kuhanje.
Papir za pečenje	Koristite kao pokrivač za sprječavanje prskanja ili omotač za kuhanje na pari.
Plastika	Samo za mikrovalnu pećnicu. Slijedite upute proizvođača. Trebalo bi imati oznaku "Sigurno za mikrovalnu". Neke plastične posude omekšaju jer se hrana u njima zagrije. "Vreće za kuhanje" i čvrsto zatvorene plastične vrećice treba razrezati, probušiti ili otvoriti ventil prema uputama na pakiranju.
Plastična folija	Samo za mikrovalnu pećnicu. Koristite za pokrivanje hrane tijekom kuhanja kako biste zadržali vlagu. Ne dopustite da plastična folija dodiruje hranu.
Termometri	Samo za mikrovalnu (termometri za meso i slatkiše).
Voštani papir	Koristite kao pokrivač za sprječavanje prskanja i zadržavanje vlage.

Materijali koje treba izbjegavati u mikrovalnoj pećnici

Posuđe	Primjedbe
Aluminijski podmetač	Može uzrokovati iskrenje. Prebacite hranu u posudu za mikrovalnu pećnicu.
Kutija za hranu s metalnom ručkom	Može uzrokovati iskrenje. Prebacite hranu u posudu za mikrovalnu pećnicu.
Metalno posuđe ili posuđe sa metalnim ukrasom	Metal štiti hranu od mikrovalne energije. Metalna obloga može uzrokovati iskrenje.
Metalne zavojne vezice	Mogu uzrokovati iskrenje i požar u pećnici.
Papirnatu vrećicu	Mogu izazvati požar u pećnici.
Plastična pjena	Plastična pjena može se otopiti ili kontaminirati tekućinu iznutra kada je izložena visokoj temperaturi.
Drvo	Drvo će se osušiti kada se koristi u mikrovalnoj pećnici i može se rascijepiti ili popucati.

SPECIFIKACIJA

MODEL	MM20CF2E/MM20CF2EBK
NAZIVNI NAPON	230V~ 50Hz
NAZIVNA ULAZNA SNAGA (MIKROVALNA)	1050W
NAZIVNA SNAGE (MIKROVALNA)	700W

PREGLLED PROIZVODA

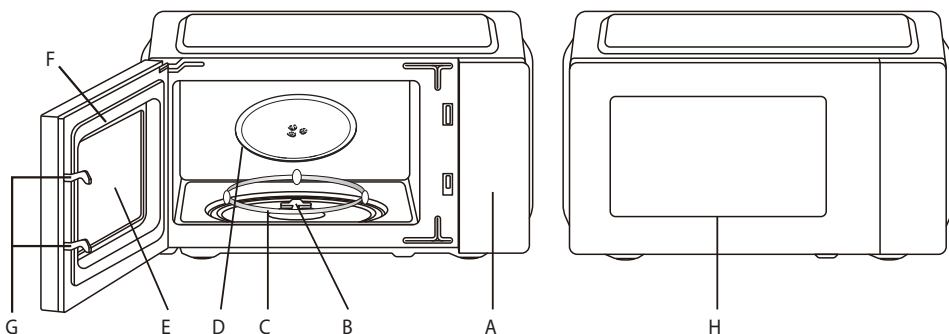
Nazivi dijelova pećnice i pribora

U slučaju bilo kakvih razlika između uređaja i slika u ovom priručniku, proizvod ima prednost.

Izvadite pećnicu i sve materijale iz kutije i unutrašnjosti pećnice.

Vaša pećnica dolazi sa sljedećim dodacima:

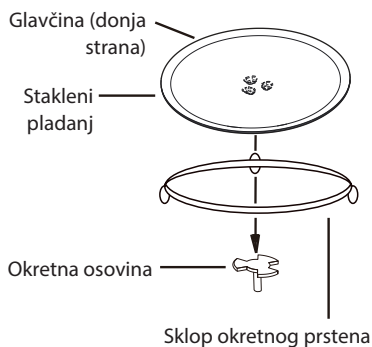
Stakleni pladanj	1
Sklop okretnog prstena	1
Upute za uporabu	1



- A) Upravljačka ploča
- B) Okretna osovina
- C) Sklop okretnog prstena
- D) Stakleni pladanj

- E) Prozor za promatranje
- F) Montaža vrata
- G) Sustav sigurnosne blokade
- H) Vrata

Instalacija okretnog prstena



- a. Nikada ne stavljajte stakleni pladanj naopako. Stakleni pladanj nikada ne smije biti ograničen.
- b. Tijekom kuhanja uvijek se moraju koristiti i stakleni pladanj i okretni prsten.
- c. Sva hrana i posude s hranom uvijek se stavljaju na stakleni pladanj za kuhanje.
- d. Ako stakleni pladanj ili sklop prstena za okretnu ploču pukne ili se slomi, obratite se najbližem ovlaštenom servisu.

HR

INSTALACIJA PROIZVODA

Montaža radne ploče

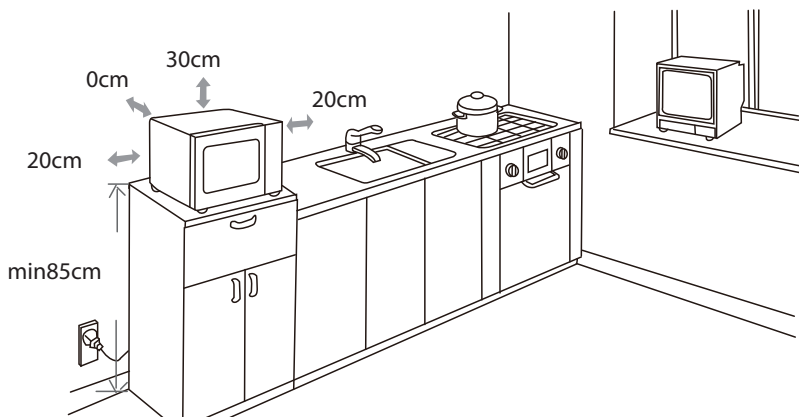
Uklonite sav materijal za pakiranje i pribor. Pregledajte da li u pećnicu ima bilo kakvih oštećenja kao što su udubljenja ili slomljena vrata. Nemojte instalirati ako je pećnica oštećena.

Kućište: Uklonite zaštitnu foliju s površine mikrovalne pećnice.

Nemojte uklanjati poklopac valovoda koji je pričvršćen na unutrašnjost pećnice kako biste zaštitili magnetron.

Montaža

1. Odaberite ravnu površinu koja osigurava dovoljno otvorenog prostora za usisne i/ili odvodne otvore.



- Minimalna visina ugradnje je 85 cm.
- Stražnja površina uređaja mora biti postavljena uz zid. Ostavite minimalni razmak od 30 cm iznad pećnice, potreban je minimalni razmak od 20 cm između pećnice i svih susjednih zidova.
- Ne skidajte nožice s dna pećnice.
- Blokiranje ulaznih i/ili izlaznih otvora može oštetiti pećnicu
- Postavite pećnicu što dalje od radija i TV-a. Rad mikrovalne pećnice može uzrokovati smetnje vašem radijskom ili TV prijemu.

2. Uključite svoju pećnicu u standardnu kućnu utičnicu. Provjerite jesu li napon i frekvencija isti kao napon i frekvencija na naljepnici.

⚠ UPOZORENJE

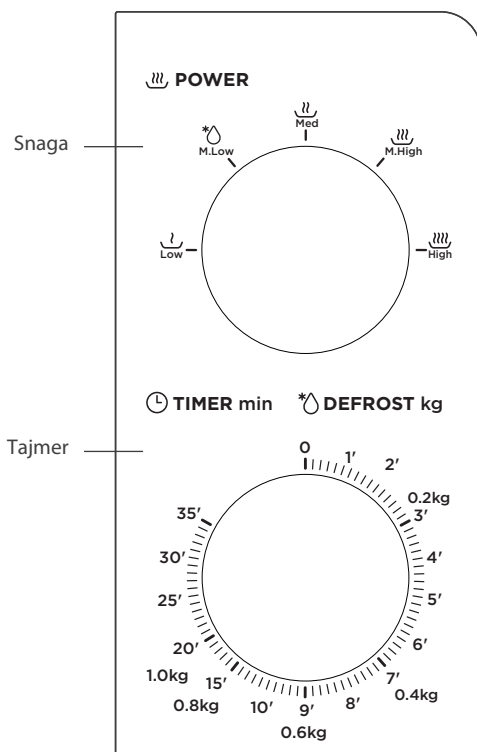
Nemojte postavljati pećnicu iznad ploče za kuhanje ili drugog uređaja koji proizvodi toplinu. Ako se instalira u blizini ili iznad izvora topline, pećnica bi se mogla oštetiti i jamstvo bi bilo nevažeće.

Dostupna površina može biti vruća tijekom rada.



UPUTE ZA RAD

Upravljačka ploča i značajke



1. Za postavljanje snage kuhanja okretanjem gumba za snagu na željenu razinu.
2. Za postavljanje vremena kuhanja okretanjem gumba tajmera na željeno vrijeme prema vodiču za kuhanje hrane.
3. Mikrovalna pećnica će automatski započeti kuhanje nakon postavljanja razine snage i vremena.
4. Kada vrijeme kuhanja istekne, jedinica će oglasiti zvuk "Dong" za zaustavljanje.
5. Ako se jedinica ne koristi, uvijek postavite vrijeme na početni položaj.

HR

Funkcija/snaga	Izlaz	Primjena
Low	17% mikro.	Topljenje sladoleda
M.Low	33% mikro.	Pirjanje juhe, topkjenje maslaca ili odmrzavanje
Med	55% mikro.	Varivo, riba
M.High	77% mikro.	Riža, riba, piletina, mljeveno meso
High	100% mikro.	Podgrrijati, mlijeko, prokuhati vodu, povrće, piće

- BILJEŠKA** Kada vadite hranu iz pećnice, provjerite je li pećnica isključena okretanjem prekidača tajmera o-u početni položaj. Ako to ne učinite i ako koristite mikrovalnu pećnicu bez hrane u njoj, može doći do pregrijavanja i oštećenja magnetrona.

ČIŠĆENJE I ODRŽAVANJE

Obavezno isključite uređaj iz napajanja.


- Očistite unutrašnjost pećnice nakon uporabe lagano vlažnom krpom.
- Očistite pribor na uobičajen način u sapunici.
- Okvir vrata i brtvu te susjedne dijelove morate pažljivo očistiti vlažnom krpom kada su prljavi.
- Ne koristite oštra abrazivna sredstva za čišćenje ili oštre metalne strugače za čišćenje stakla na vratima pećnice jer mogu ogrebat površinu, što može dovesti do pucanja stakla.
- Savjet za čišćenje --- Za lakše čišćenje stijenki šupljine koje kuhana hrana može dodirnuti: Stavite pola limuna u zdjelu, dodajte 300 ml (1/2 litre) vode i zagrijavajte na 100% mikrovalnoj pećnici 10 minuta. Očistite pećnicu mekom, suhom krpom.

RJEŠAVANJE PROBLEMA

Normalno	
Mikrovalna pećnica ometa TV prijem	Radio i TV prijem mogu biti ometani tijekom rada mikrovalne pećnice. To je slično smetnjama malih električnih uređaja, poput miksera, usisavača i električnog ventilatora. Normalno je.
Prigušeno svjetlo pećnice	Pri kuhanju u mikrovalnoj pećnici male snage, svjetlo u pećnici može postati slabo. Normalno je.
Para se nakuplja na vratima, vrući zrak izlazi iz ventilacijskih otvora	Tijekom kuhanja iz hrane može izlaziti para. Većina će izaći iz ventilacijskih otvora. Ali nešto se može nakupiti na hladnom mjestu poput vrata pećnice. Normalno je.
Pećnica se slučajno uključila bez hrane.	Zabranjeno je da jedinica radi bez hrane unutra. Vrlo je opasno.

Problem	Mogući uzrok	Riješenje
Pećnica se ne može pokrenuti.	• Kabel za napajanje nije čvrsto priključen.	• Isključite utikač. Zatim ponovno uključite nakon 10 sekundi.
	• Osigurač pregori ili se sklopka aktivira.	• Zamijenite osigurač ili ponovno aktivirajte sklopku (popravlja stručno osoblje naše tvrtke)
	• Problem s utičnicom.	• Ispitajte utičnicu s drugim električnim uređajima.
Pećnica se ne grije.	• Vrata nisu dobro zatvorena.	• Dobro zatvorite vrata.

ZAŠTITNI ZNAK, AUTORSKA PRAVA I PRAVNA IZJAVA

 Logotip, oznake riječi, trgovački naziv, trgovačka odjeća i sve inačice proizašle iz toga vrijedna su imovina Midea Group i/ili njenih podružnica („Midea“) čije zaštitne znakove, autorska prava i druga prava na intelektualnu imovinu Midea posjeduje, te i svu dobru volju proizašlu iz uporabe bilo kojeg dijela Midea zaštitnog znaka. Upotreba Midea zaštitnog znaka u komercijalne svrhe bez prethodnog pismenog pristanka Midea može činiti kršenje zaštitnog znaka ili nepoštenu konkurenciju u kršenju odgovarajućih prava.

Ovaj priručnik kreira Midea i Midea zadržava sva autorska prava na njega. Ni jedno tijelo niti pojedinac ne smije koristiti, duplicirati, mijenjati, distribuirati u cjelini niti djelomično ovaj priručnik niti pakirati ili prodavati s drugim proizvodima bez prethodnog pismenog pristanka Midea.

Sve opisane funkcije i upute ažurirane su u vrijeme ispisa ovog priručnika. Ipak, stvarni proizvod može varirati zbog poboljšanih funkcija i dizajna.

ODLAGANJE I RECIKLIRANJE

Važne upute za okoliš

Sukladnost s Direktivom WEEE i zbrinjavanje otpadnog proizvoda:

Ovaj proizvod sukladan je s EU WEEE direktive (2012/19/EU). Proizvod nosi simbol klasifikacije Otpadna električna i elektronička oprema (WEEE).

Simbol pokazuje da se proizvod ne smije odlagati s drugim kućnim otpadom na kraju svog životnog vijeka. Iskorišteni uređaj se mora vratiti na službeno mjesto sakupljanja radi recikliranja električnih i elektroničkih uređaja. Kako biste pronašli ove sustave sakupljanja molimo kontaktirajte lokalne vlasti ili prodavača kod kojeg ste kupili proizvod. Svako kućanstvo igra važnu ulogu u oporavku i recikliranju starog uređaja. Odgovarajuće bacanje iskorištenog uređaja će pomoći da se spriječe potencijalne negativne posljedice po okolinu i ljudsko zdravlje.

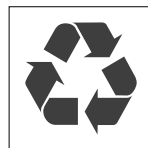


Sukladnost s Direktivom RoHS

Proizvod kojeg ste kupili sukladan je s EU RoHS direktive (2011/65/EU). Ne sadrži štetne i zabranjene materijale navedene u Direktivi.

Informacije o pakiranju

Materijali za pakiranje proizvoda proizvedeni su od materijala koji se mogu reciklirati sukladno s našim Državnim uredbama za okoliš. Nemojte odlagati materijale za pakiranje zajedno s kućanskim ili drugim otpadom. Onesite ih na mjesta za sakupljanje materijala za pakiranje koja određuju lokalne vlasti.



HR

OBAVIJEST O ZAŠTITI PODATAKA

Za odredbe usluga koje prihvata klijent, mi prihvaćamo da se, bez ograničenja, pridržavamo svih odredbi važećeg zakona o zaštiti podataka, sukladno sa zemljama koje su dio dogovora unutar kojih će se pružati usluge klijentu kao i općih uredbi o zaštiti podataka, gdje je primjenjivo (EU General Data Protection Regulation (GDPR)).

Općenito, naša obrada podataka služi da se ispuni naša obveza u okviru ugovora s vama i iz razloga sigurnosti proizvoda, kako bi se sačuvala vaša prava u svezi s pitanjima jamstva i registriranja proizvoda. U nekim slučajevima, ali samo ako je osigurana odgovarajuća zaštita podataka, osobni podaci mogu se prenositi primateljima koji se nalaze izvan Europskog ekonomskog područja.

Dalje informacije daju se na zahtjev. Našeg službenika za zaštitu podataka možete kontaktirati putem **MideaDPO@midea.com**. Kako biste iskoristili svoje pravo kao što je pravo na prigovor da se vaši osobni podaci obrađuju u izravne marketinške svrhe, molimo kontaktirajte nas putem **MideaDPO@midea.com**. Za dalje informacije, molimo pratite QR kod.



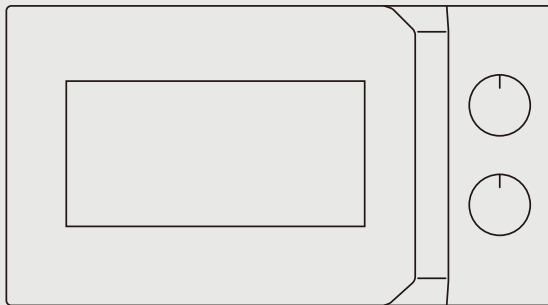
make yourself at home

HR



www.midea.com

© Midea 2024 all rights reserved



MIKROBANGŲ KROSNELĖ

VARTOTOJO VADOVAS

MM20CF2E
MM20CF2EBK

Įspėjamieji pranešimai: Prieš naudodami šį gaminį, atidžiai perskaitykite vartotojo vadovą ir pasirinkite jį, kad galėtumėte paskaityti ateityje. Produkto tobulinimo tikslais, dizainas ir specifikacijos, gali būti keičiami neįspėjus vartotojų. Išsamesnės informacijos teiraukitės savo pardavėjo arba kreipkitės į gamintoją. Viršuje pateiktas piešinėlis yra tik pavyzdinio pobūdžio. Tikrojo produkto išvaizda gali skirtis, atspindint konkretų modelį.

PADĖKOS LAIŠKAS

Dėkojame, jog renkatės Midea produktus! Prieš pradėdant naudoti šį Midea produktą, prašome įsitikinti, kad susipažinote su visa informacija, pateikta šiame vartotojo vadove, leidžiančia užtikrinti teisingą produkto vartojimą ir įgalinti visas produkto funkcijas bei saugų produkto naudojimą.

TURINYS

PADĖKOS LAIŠKAS	-----	LT-01
SAUGUMO INSTRUKCIJOS	-----	LT-02
SPECIFIKACIJA	-----	LT-11
PRODUKTO APŽVALGA	-----	LT-12
PRODUKTO MONTAVIMAS	-----	LT-13
EKSPLLOTAVIMO INSTRUKCIJOS	-----	LT-14
VALYMAS IR PRIEŽIŪRA	-----	LT-15
TRIKDŽIŲ ŠALINIMAS	-----	LT-16
PREKIŲ ŽENKLAS, AUTORIŲ TEISĖS IR TEISINIS PAREIŠKIMAS	-----	LT-17
IŠMETIMAS IR PERDIRIBMAS	-----	LT-18
DUOMENŲ APSAUGOS PRANEŠIMAS	-----	LT-19

SAUGUMO INSTRUKCIJOS

Naudojimo paskirtis

Šios saugos gairės yra skirtos išvengti nenumatytų pavojų arba žalos, atsirandančios dėl nesaugaus ar netinkamo prietaiso naudojimo. Gavus patikrinkite pakuotę ir prietaisą, kad įsitikintumėte, jog pakuotė ir produktas nepažeisti, kad būtų galima užtikrinti saugų veikimą. Jei radote kokių nors pažeidimų, susisiekite su pardavėju arba gamintoju. Atkreipkite dėmesį, kad jūsų saugumo sumetimais, prietaiso modifikuoti ar atlikti pakeitimus negalima. Naudojant ne pagal paskirtį, gali kilti pavojus ir gali būti prarasta galimybė gauti garantinį aptarnavimą.

Simbolių paaiškinimas



Pavojus

Šis simbolis rodo, kad dėl ypač degių dujų gali kilti pavojus žmonių gyvybei ir sveikatai.



Įspėjimas dėl elektros įtampos

Šis simbolis rodo, kad kyla pavojus žmonių gyvybei ir sveikatai dėl aukštos elektros įtampos.



Atsargiai

Įspėjamasis žodis „Atsargiai“ nurodo vidutinio rizikos lygio pavojų, kuris, jei nebus išvengta, gali baigtis mirtimi arba sunkiais sužalojimais.



Įspėjimas

Įspėjamasis žodis „Įspėjimas“ reiškia mažo rizikos lygio pavojų, kuris, jei nebus išvengta, gali sukelti lengvą arba vidutinį sužalojimą.



Dėmesio

Įspėjamasis žodis „Dėmesio“ nurodo svarbią informaciją (pvz.: žalą turtui), bet ne pavojų.



Peržiūrėti vartotojo vadovą

Šis simbolis rodo, kad techninės priežiūros technikas turėtų naudoti ir prižiūrėti šį prietaisą tik remiantis naudojimo instrukcija ir vartotojo vadovu.

Įdėmiai ir atidžiai ir perskaitykite šią naudojimo instrukciją prieš pradėdami eksploatuoti ar naudoti įrenginį ar produktą. Laikykite vartotojo vadovą netoli produkto ar įrenginio, kad esant poreikiui, galėtumėte peržiūrėti vartotojo vadovą dar kartą!

Atsargumo priemonės, skirtos išvengti galimo per didelio mikrobangų energijos poveikio

- a. Nebandykite naudoti šios mikrobangų krosnelės atidarytomis durelėmis, nes tai gali sukelti žalingą mikrobangų energijos poveikį. Svarbu nesulaužyti ir nesugadinti uždarymo mechanizmo.
- b. Nestatykite jokių daiktų tarp orkaitės priekinės dalies ir uždarymo durelių ir neleiskite ant sandarinimo paviršių kauptis nešvarumams ar valiklio likučiams.
- c. ĮSPĖJIMAS: Jei pažeistos durelės ar durelių uždarymo mechanizmas, mikrobangų krosnelės negalima naudoti tol, kol jos nepataisys kompetentingas asmuo.

Papildymas

Jei mikrobangų krosnelės švara neprižiūrima ir nepalaikoma gera būklė, jos paviršius gali tapti netinkamas naudojimui ir turėti įtakos įrenginio eksploatavimo trukmei bei sukelti pavojingą situaciją.

Svarbios Saugumo Instrukcijos

⚠️ **ATSARGIAI**

Kad sumažintumėte gaisro, elektros smūgio, žmonių sužalojimo arba pernelyg didelės mikrobangų krosnelės energijos poveikio pavojų, mikrobangų krosnelės naudojimo metu, laikykitės pagrindinių atsargumo priemonių, įskaitant šias:

- Perskaitykite ir laikykitės konkrečių nurodymų: „ATSARGUMO PRIEMONĖS, SKIRTOS IŠVENGTI GALIMO PERDIDELĖS MIKROBANGŲ ENERGIJOS POVEIKIO“.
- Šis prietaisas nėra skirtas naudoti asmenims (įskaitant vaikus), kurių fizinės, jutimo ar psichinės galimybės yra ribotos arba kurie neturi patirties ir žinių, nebent už jų saugumą atsakingas asmuo juos prižiūrėtų arba instruktuočiau, kaip naudoti prietaisą.
- Vaikus reikia prižiūrėti, kad jie nežaistų su prietaisu.
- Jei maitinimo laidas pažeistas, jį turi pakeisti gamintojas, jo techninės priežiūros atstovas arba panašios kvalifikacijos asmenys, siekiant išvengti pavojaus. (Prietaisams su Y tipo maitinimo laidu).
- ĮSPĖJIMAS: įsitikinkite, kad prietaisas yra išjungtas, kad išvengtumėte elektros smūgio galimybės, prieš keisdami lempą
- ĮSPĖJIMAS: pavojinga bet kuriam asmeniui (išskyrus kompetentingą asmenį) atliekant bet kokius priežiūros ar remonto veiksmus, kurių metu reikia nuimti dangtelį, apsaugantį nuo mikrobangų energijos poveikio.
- ĮSPĖJIMAS: Skysčių ir kitų maisto produktų negalima kaitinti sandariuose induose, nes jie gali sprogti.

LT

- Kai kaitinate maistą plastikiniuose ar popieriniuose induose, stebėkite mikrobangų krosnelę, nes indai gali užsidegti.
- Naudokite tik tokius indus, kurie tinkami naudoti mikrobangų krosnelėje.
- Jei sklinda dūmai, išjunkite arba ištraukite prietaisą iš elektros tinklo ir laikykite dureles uždarytas, kad liepsna būtų izoliuota ir užgestų.
- Gėrimų kaitinimas mikrobangų krosnelėje gali sukelti uždelstą išsiveržimą dėl stipraus virimo, todėl reikia elgtis atsargiai su indais, kuriuose yra skysčių.
- Maitinimo buteliukų ir kūdikių maisto indelių turinys, prieš vartojimą turi būti išmaišomas arba suplakamas, o temperatūra patikrinama prieš vartojimą, siekiant išvengti nudegimų.
- Kiaušinių su lukštais ir sveikų, kietai virtų, kiaušinių negalima kaitinti mikrobangų krosnelėje, nes jie gali sprogti tiek kaitinimo mikrobangų krosnelėje metu, tiek ir vėliau.
- Mikrobangų krosnelę reikia reguliariai valyti ir pašalinti visas maisto nuosėdas ir likučius.
- Jei mikrobangų krosnelės švara neprižiūrima ir nepalaikoma gera būklė, jos paviršius gali tapti netinkamas naudojimui ir turėti įtakos įrenginio eksploatavimo trukmei bei sukelti pavojingą situaciją
- Šio prietaiso negalima montuoti už dekoratyvinių durelių, siekiant išvengti perkaitimo. (Tai netaikoma prietaisams su dekoratyvinėmis durelėmis.)
- Naudokite tik šiai mikrobangų krosnei rekomenduojamą temperatūros zondą. (mikrobangų krosnelėms su galimybe naudoti temperatūros jutimo zondą.)

- Mikrobangų krosnelės negalima statyti į spintelę, nebent ji buvo išbandyta spintelėje.
- Mikrobangų krosnelė turi būti naudojama atidarius dekoratyvines dureles. (mikrobangų krosnelėms su dekoratyvinėmis durelėmis.)
- Šis prietaisas skirtas naudoti buityje ir panašiose srityse, pavyzdžiui:
 - darbuotojams skirtose virtuvės zonose parduotuvėse, biuruose ir kitose darbo aplinkose;
 - viešbučiuose, moteliuose ir kitose gyvenamosiose patalpose;
 - ūkiniuose namuose;
 - „nakvynę ir pusryčius“ teikiančiose įstaigose.
- Mikrobangų krosnelė skirta maistui ir gėrimams šildyti. Džiovinant maistą ar drabužius ir kaitinant šildančius įklotus, šlepetes, kempines, drėgnus valymo skudurėlius ir panašiai, gali kilti užsidegimo ar gaisro pavojus.
- Gaminant maistą mikrobangų krosnelėje neleidžiama naudoti metalinių indų maistui ir gėrimams laikyti.
- Prietaiso negalima valyti gariniu valytuvu.
- Prietaisas skirtas naudoti atskirai pastačius.
- Prietaiso galinis paviršius turi būti pastatytas prie sienos.

**ATIDŽIAI SKAITYKITE IR IŠSAUGOKITE, JOG
ESANT POREIKIUI < ATEITYJE GALĖTUMĖTE
DAR KARTĄ PERSKAITYTI**

Kad sumažinti įžeminimo sužeidimo riziką asmenims

⚠ PAVOJUS

Elektros iškrovos pavojus

Palietus kai kuriuos, vidinius, komponentus galite rimtai susižaloti arba mirti. Neardykite šio prietaiso.

⚠ ATSARGIAI

Elektros iškrovos pavojus

Netinkamas įžeminimo panaudojimas gali sukelti elektros iškrovą.

Nejunkite prietaiso į elektros lizdą, kol jis nėra tinkamai sumontuotas ir neatliktas įžeminimas. Šis prietaisas turi būti įžemintas. Įvykus trumpajam elektros jungimui, įžeminimas sumažina elektros smūgio riziką, nes yra elektros srovės pašalinimo laidas.

Prietaiso komplektacijoje rasite įžeminimo laidą su įžeminimo kištuku. Kištukas turi būti įkištas į tinkamai sumontuotą ir įžemintą elektros lizdą.

Kreipkitės į kvalifikuotą elektriką arba techninės priežiūros specialistą, jei įžeminimo instrukcijos nėra visiškai suprantamos arba kyla abejonių, ar prietaisas tinkamai įžemintas.

Jei reikia naudoti ilgiklį, naudokite tik trilaidį ilginamąjį laidą.

- Pateikiamas elektros maitinimo laidas yra trumpas siekiant sumažinti riziką, kuri gali kilti įsipainiojus į ilgesnį laidą arba užkliuvus už jo.

- Jei naudojamas ilgas elektros maitinimo laido komplektas arba ilgintuvas:
 - Pažymėta laido komplekto arba ilgintuvo elektrinė galia turi būti ne mažesnė nei prietaiso elektrinė galia.
 - Prailginimo laidas turi būti įžemintas trilaidis laidas.
 - Ilgas laidas turi būti išdėstytas taip, kad negulėtų ant stalviršio ar jo neuždengtų, būti vaikams neprieinamoje vietoje, kad jie netyčia užkliūtų arba nepasiektų laido.

⚠️ **ATSARGIAI**

Visiems asmenims (išskyrus kompetentingą asmenį ar aptarnavimo specialistą), pavojinga atlikti bet kokias priežiūros ar remonto operacijas, kurių metu nuimamas dangtelis, apsaugantis nuo mikrobangų energijos poveikio.

Žr. instrukcijas „Medžiagos, kurias galima naudoti mikrobangų krosnelėje arba kurių negalima naudoti mikrobangų krosnelėje“.

Gali būti tam tikrų nemetalinių indų, kuriuos taip pat nesaugu naudoti mikrobangų krosnelėje. Jei abejojate, galite išbandyti atitinkamą indą vadovaudamiesi toliau pateikta procedūra.

Indo testavimo procedūra:

- Mikrobangų krosnelei tinkamą indą įpilkite 1 puodelį šalto vandens (250 ml) kartu įdėkite ir testuojamą indą.
- Įjunkite maksimalia galia 1 minutę.
- Atsargiai apčiuopkite testuojamą indą. Jei tuščias indas šiltas, nenaudokite jo gamindami mikrobangų krosnelėje, nes jis netinkamas.
- Įjungimo laikas turi neviršyti 1 minutės.

Medžiagos, kurias galima naudoti mikrobangų krosnelėje

Indai	Pastabos
Skrudininimo indas	Laikykitės gamintojo nurodymų. Kepimo indo dugnas turi būti bent 3/16 colio (5 mm) virš besisukančios mechanizmo. Netinkamai naudojant besisukantis mikrobangų krosnelės mechanizmas gali sulūžti.
Keramikiniai indai	Tik pažymėti tinkamais naudoti mikrobangų krosnelėje. Laikykitės gamintojo nurodymų. Nenaudokite įtrūkusių ar suskilinėjusių indų.
Stikliniai indai	Visada nuimkite dangtelį. Naudokite tik maistui pašildyti. Dauguma stiklinių indelių nėra atsparūs karščiui ir gali suskilti.
Stiklo dirbiniai	Tik karščiui atsparūs, orkaitėje naudoti tinkami, stikliniai indai. Įsitinkinkite, kad nėra metalinės apdailos. Nenaudokite įtrūkusių ar suskilinėjusių indų.
Maišeliai kepimui orkaitėje	Laikykitės gamintojo nurodymų. Neuždarykite metalinių užsegimų. Padarykite įpjovas, kad garai galėtų lengvai išeiti.
Popierinės lėkštės ir puodeliai	Naudokite tik trumpalaikiam gaminimui/šildymui. Gamindami nepalikite mikrobangų krosnelės be priežiūros.
Popieriniai rankšluosčiai	Gali būti naudojamas tik maistui uždengti, kol maistas sušils ir susigers riebalai. Naudokite trumpai ir nepalikite be priežiūros.
Pergamentinis popierius	Naudokite kaip dangtelį, kad išvengtumėte taškymosi, arba apvyniokite garų sulaikymui.
Plastikas	Tik saugus naudoti mikrobangų krosnelėje. Laikykitės gamintojo nurodymų. Turėtų būti pažymėta „Saugu naudoti mikrobangų krosnelėje“. Kai kurie plastikiniai indai suminkštėja kai viduje esantis maistas įkaista. „Virimo maišeliai“ ir sandariai uždaromi plastikiniai maišeliai turi būti perpjauti arba pradurti, kaip nurodyta pakuotėje.
Plastikinė plėvelė	Tik saugi naudoti mikrobangų krosnelėje. Naudokite maistui uždengti gaminimo metu, kad išlaikytumėte drėgmę. Neleiskite plastikinei plėvelei liesti maisto.
Termometrai	Tik saugūs naudoti mikrobangų krosnelėje (mėsos ir saldinių termometrai).
Vaškinis popierius	Naudokite kaip dangtelį, kad išvengtumėte taškymosi ir išlaikytumėte drėgmę.

Medžiagos, kurių negalima naudoti mikrobangų krosnelėje

Indai	Pastabos
Aliuminio padėklas	Gali žiežirbuoti. Sudėkite maistą į mikrobangų krosnelėje tinkamą indą.
Kartoninės maisto dėžutės su metalinėmis rankenomis	Gali žiežirbuoti. Sudėkite maistą į mikrobangų krosnelėje tinkamą indą.
Metaliniai arba metalu papuošti indai	Metalas apsaugo maistą nuo mikrobangų energijos. Metaliniai papuošimai gali sukelti žiežirbas.
Metaliniai segtukai	Gali žiežirbuoti ir sukelti gaisrą mikrobangų krosnelėje.
Popieriniai maišeliai	Gali sukelti gaisrą mikrobangų krosnelėje.
Putplastis	Esant aukštai temperatūrai, putplastis gali ištirpti arba užteršti viduje esantį skystį.
Medis	Mikrobangų krosnelėje naudojama mediena išdžius, dėl to gali suskilti arba įtrūkti.

SPECIFIKACIJA

MODELIS	MM20CF2E/MM20CF2EBK
ĮTAMPOS VERTĖ	230V- 50Hz
ĮVESTIES VERTĖ (MIKKROBANGOS)	1050W
IŠVESTIES VERTĖ (MIKKROBANGOS)	700W

PRODUKTO APŽVILGA

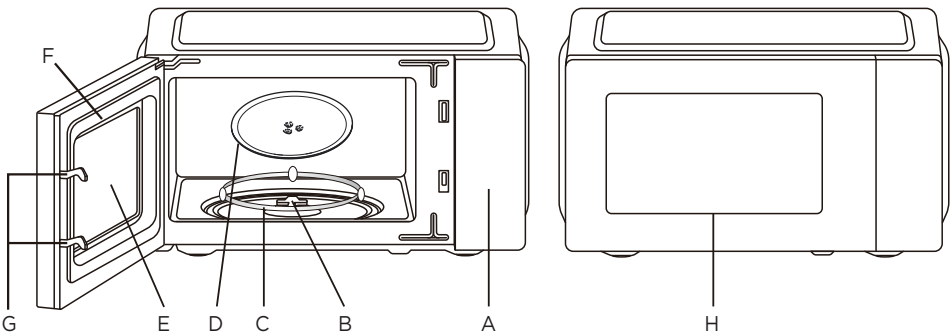
MIKROBANGŲ KROSNELĖS DALIŲ PAVADINIMAI IR PRIEDAI

In case of any differences between the appliance and the pictures in this manual, the product shall prevail.

Išimkite mikrobangų krosnelę ir visas medžiagas iš dėžutės ir iš mikrobangų krosnelės vidaus.

Jūsų mikrobangų krosnelės komplekte yra šie priedai:

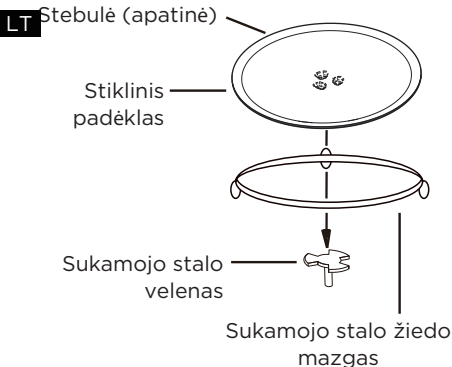
Stiklinis padėklas	1
Sukamojo stalo žiedo komplektas	1
Vartotojo Vadovas	1



- A) Valdymo skydelis
- B) Sukamojo stalo velenas
- C) Sukamojo stalo žiedo mazgas
- D) Stiklinis padėklas

- E) Apžvalgos stiklas
- F) Surinkimo durelės
- G) Blokavimo sistema apsaugai
- H) Durelės

Sukamojo stalo surinkimas



- a. Niekada nedėkite stiklinio padėklo neteisinga puse. Stiklinis padėklas niekada neturėtų būti apribotas judesio amplitudėje.
- b. Gaminant visada turi būti naudojamas tiek stiklinis padėklas, tiek sukamojo stalo žiedas.
- c. Visas maistas ir maisto indai visada turi būti dedami tik ant stiklinio padėklo.
- d. Jei stiklinis padėklas arba sukamojo stalo žiedo mazgas įtrūksta arba sulūžta, kreipkitės į artimiausią įgaliojimą techninės priežiūros centrą.

PRODUKTO MONTAVIMAS

Montavimas ant stalviršio

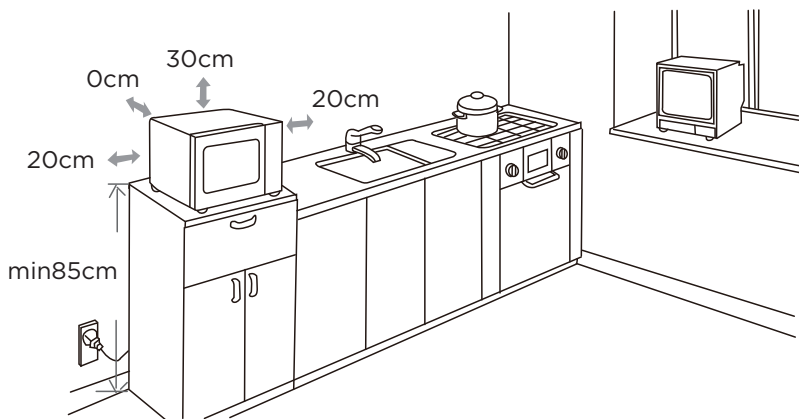
Išimkite visas pakavimo medžiagas ir priedus. Patikrinkite, ar mikrobangų krosnelėje nėra pažeidimų, pvz., įlenkimų ar dūrelės nesulūžę. Nemontuokite ir nenaudokite, jei mikrobangų krosnelė pažeista.

Korpusas: nuimkite visas apsaugines plėveles, esančias ant mikrobangų krosnelės korpuso paviršiaus.

Nenuimkite bangolaidžio dangtelio, pritvirtinto prie orkaitės ertmės, kad apsaugotumėte magnetroną.

Montavimas

1. Pasirinkite lygų paviršių, ant kurio būtų pakankamai vietos įleidimo ir (arba) išleidimo angoms.



- Minimalus montavimo aukštis - 85cm.
- Prietaiso galinis paviršius turi būti pastatytas prie sienos. Virš mikrobangų krosnelės palikite mažiausiai 30 cm laisvą erdvę, o tarp krosnelės ir bet kokių gretimų sienų turi būti bent 20 cm atstumas.
- Nenuimkite kojelių nuo mikrobangų krosnelės dugno.
- Užblokavus įleidimo ir (arba) išleidimo angas galite sugadinti mikrobangų krosnelę.
- Statykite mikrobangų krosnelę kuo toliau nuo radijo ir televizoriaus. Mikrobangų krosnelės veikimas gali trikdyti radijo ar televizijos bangų priėmimą.

2. Įjunkite mikrobangų krosnelę į standartinį buitinių elektros lizdą. Įsitinkite, kad įtampa ir dažnis yra tokie patys, kaip ir įtampa ir dažnis, nurodyti įtampos verčių lentelėje.

⚠ ATSARGIAI

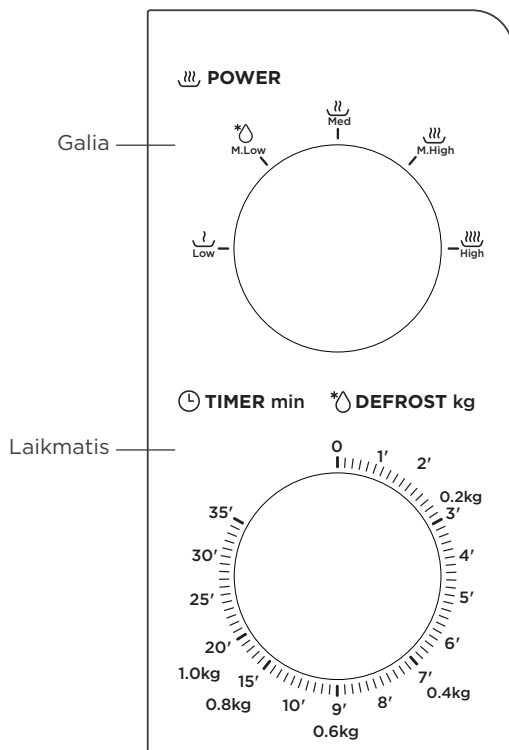
Nestatykite mikrobangų krosnelės virš viryklės ar kito šilumą skleidžiančio prietaiso. Jei mikrobangų krosnelė bus sumontuota šalia šilumos šaltinio arba virš jo, ji gali būti pažeista ir tokiu atveju nebegalios garantinis aptarnavimas.

Atviras paviršius maisto šildymo ar gaminimo metu gali būti karštas.



EKSPLOATAVIMO INSTRUKCIJOS

Valdymo skydelis ir jo funkcijos



1. Norėdami nustatyti gaminimo galią, pasukite maitinimo rankenėlę iki norimo galios lygio.
2. Norėdami nustatyti gaminimo laiką, pasukite laikmačio rankenėlę iki pageidaujamos laiko trukmės (remiantis maisto gaminimo vadovu).
3. Mikrobangų krosnelė automatiškai pradės gaminti, kai bus nustatyti abu - galios lygis ir gaminimo laikas.
4. Pasibaigus gaminimo laikui, mikrobangų krosnelė sustos ir pasigirs "Dong" garsas.
5. Jei įrenginys nenaudojamas, visada nustatykite laiką į pradinę padėtį.

LT

Galia	Išeiiga	Taikymas
Low	17% micro.	Suminkštinti ledus
M.Low	33% micro.	Virti sriubą, suminkštinti sviestą ar atšildyti
Med	55% micro.	Troškimas, žuvis
M.High	77% micro.	Ryžiai, žuvis, vištiena, malta mėsa
High	100% micro.	Pašildymas, pieno virimas, vandens virimas, daržovės, gėrimai

- PASTABA** Išimdami maistą iš orkaitės įsitinkinkite, kad mikrobangų krosnelė yra išjungta, tai galima padaryti pasukant laikmačio jungiklį į pradinę padėtį. Jei to nepadarysite ir naudosite mikrobangų krosnelę be maisto, galite perkaitinti ir/arba sugadinti magnetroną.

VALYMAS IR PRIEŽIŪRA

Būtinai atjunkite prietaisą nuo maitinimo šaltinio.

- Po naudojimo išvalykite orkaitės ertmę su drėgna šluoste.
- Priedus valykite įprastu būdu, muiluotame vandenyje.
- Durelių rėmas ir sandariklis bei šalia esančios dalys, esant poreikiui, turi būti kruopščiai nuvalytos drėgna šluoste.
- Orkaitės durelių stiklui valyti nenaudokite stiprių abrazyvinių valiklių ar aštrių metalinių grandiklių, nes jie gali subraižyti paviršius, - stiklas gali įskilti arba sudužti.
- Valymo patarimas --- Kad būtų lengviau išvalyti ertmių sienas, kurios gali išsipurvinti dėl verdančio maisto:

Į dubenį įdėkite pusę citrinos, įpilkite 300 ml (1/2 pintos) vandens ir 10 minučių kaitinkite 100% galios režimu mikrobangų krosnelėje. Vėliau nuvalykite mikrobangų krosnelės sienelės minkšta, sausa šluoste.


TRIKDŽIŲ ŠALINIMAS

Įprasta

Mikrobangų krosnelė trukdo TV bangų priėmimui	Kai mikrobangų krosnelė veikia, gali sutrikti radijo ir televizijos bangų priėmimas. Tai panašu į mažų elektros prietaisų, tokių kaip maišytuvas, dulkių siurblys ir elektrinis ventiliatorius, trukdžius. Tai yra normalus reiškinys.
Pritemusi mikrobangų krosnelės šviesa	Gaminant mažos galios režimu, mikrobangų krosnelės apšvietimas gali priblėsti. Tai yra normalu.
Ant durelių kaupiasi garai, karštas oras išeina per ventiliacijos angas	Gaminant maistą, jis gali padėti garuoti. Dauguma garų išeis per ventiliacijos angas. Tačiau, kai kurie garai gali kauptis vėsesnėje vietoje, pavyzdžiui, orkaitės durelėse. Tai yra normalu.
Mikrobangų krosnelė įsijungė netyčia, kai nebuvo maisto.	Draudžiama naudoti įrenginį be maisto. Tai labai pavojinga.

Trikdžis	Galima priežastis	Pataisymo priemonė
Mikrobangų krosnelė negali būti įjungta.	• Maitinimo laidas nėra įkištas iki galo.	• Ištraukite maitinimo laidą. Vėl įkiškite maitinimo laidą po 10 sekundžių.
	• Suveikė saugiklis arba grandinės pertraukiklis.	• Pakeiskite saugiklį arba iš naujo nustatykite grandinės pertraukiklį (remonto darbus turi atlikti profesionalūs mūsų įmonės darbuotojai).
	• Trikdžiai su elektros lizdu	• Patikrinkite elektros lizdą su kitais elektros prietaisais.
Mikrobangų krosnelė nešildo.	• Durelės blogai uždarytos	• Gerai uždarykite dureles.

PREKIŲ ŽENKLAS, AUTORIŲ TEISĖS IR TEISINIS PAREIŠKIMAS

 Midea logotipas, žodiniai ženklai, prekės pavadinimas, prekinė išvaizda ir visos jų versijos yra vertingas Midea grupės ir (arba) jos filialų (toliau – Midea) turtas, kuriam priklauso prekių ženklai, autorių teisės ir kitos intelektinės nuosavybės teisės bei visa gera valia, atsirandanti naudojant bet kurią Midea prekės ženklo dalį. Midea prekės ženklo naudojimas komerciniais tikslais, be išankstinio raštiško Midea sutikimo, gali būti prekės ženklo apsaugos pažeidimas arba nesąžininga konkurencija, pažeidžianti atitinkamus įstatymus.

Šį vartotojo vadovą sukūrė Midea ir Midea pasilieka visas šiam vadovui priklausančias autorių teises. Joks juridinis ar fizinis subjektas negali naudoti, kopijuoti, keisti, platinti viso ar dalies iš šio vadovo arba sujungti su kitais dokumentais ar parduoti su kitais produktais be išankstinio raštiško Midea sutikimo.

Visos aprašytos funkcijos ir instrukcijos buvo naujausios šio vadovo spausdinimo metu. Tačiau tikrasis gaminytis gali skirtis dėl papildomai patobulintų funkcijų ir dizaino atnaujinimo.

IŠMETIMAS IR PERDIRBIMAS

Svarbūs nurodymai skirti užtikrinti aplinkos apsaugą

Atitiktis EEJ atliekų direktyvai ir atliekų šalinimas:

Šis gaminys atitinka Europos Sąjungos EEJ atliekų direktyvą (2012/19/ES). Šis gaminys pažymėtas elektros ir elektroninės įrangos atliekų (EEJ) klasifikavimo simboliu.

Šis simbolis rodo, kad pasibaigus šio gaminio eksploataavimo laikui, šio įrenginio negalima išmesti kartu su kitomis buitinėmis atliekomis. Įrenginys turi būti pristatytas į oficialų, tokio tipo įrenginius surenkantį, surinkimo punktą elektrinių - elektroninių prietaisų perdirbimui. Norėdami rasti tokio tipo prietaisų surinkimo vietas, susisiekite su vietos valdžios institucijomis arba pardavėju, iš kurio įsigijote gaminį. Kiekvienas namų ūkis atlieka svarbų vaidmenį užtikrinant teisingą perdirbimą seniems elektriniams - elektroniniams prietaisams. Tinkamas panaudoto prietaiso išmetimas padeda išvengti galimų neigiamų pasekmių aplinkai ir žmonių sveikatai.

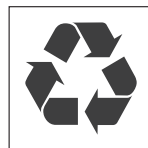


Atitiktis RoHS Direktyvai

Jūsų įsigytas gaminys atitinka Europos Sąjungos RoHS direktyvą (2011/65/ES). Jame nėra kenksmingų ir draudžiamų medžiagų, nurodytų direktyvoje.

Informacija susijusi su įrenginio įpakavimu

Gaminio pakavimo medžiagos yra pagamintos iš perdirbamų medžiagų remiantis galiojančiais, lokaliais aplinkosaugos reglamentais ir jų reikalavimais. Pakavimo medžiagų neišmeskite kartu su buitinėmis ar kitomis atliekomis. Rūšiuokite pakavimo medžiagas remiantis galiojančiais aplinkosaugos reglamentais.



DUOMENŲ APSAUGOS PRANEŠIMAS

Siekiant suteikti klientams sutartas paslaugas, sutinkame be apribojimų laikytis visų taikomų duomenų apsaugos įstatymų nuostatų, suderintų su Valstybių, kuriose bus teikiama paslauga klientui, taip pat, kai taikoma, Europos Sąjungos Bendrojo duomenų apsaugos reglamento (BDAR).

Paprastai mūsų duomenų tvarkymas yra susijęs su įsipareigojimo pagal sutartį su klientu vykdymu ir gaminių saugos sumetimais, siekiant užtikrinti jūsų teises, susijusias su garantinio aptarnavimo ir gaminio registracija. Kai kuriais atvejais, tačiau tik užtikrinus tinkamą duomenų apsaugą, asmens duomenys gali būti perduoti gavėjams, esantiems už Europos ekonominės erdvės ribų.

Papildoma informacija teikiama klientui pateikus užklausą. Galite susisiekti su mūsų duomenų apsaugos pareigūnu adresu **MideaDPO@midea.com**. Norėdami pasinaudoti savo teisėmis, pavyzdžiui, prieštarauti, kad jūsų asmeniniai duomenys būtų tvarkomi tiesioginės rinkodaros tikslais, susisiekite su mumis adresu **MideaDPO@midea.com**. Norėdami rasti daugiau informacijos, nuskanuokite QR kodą.



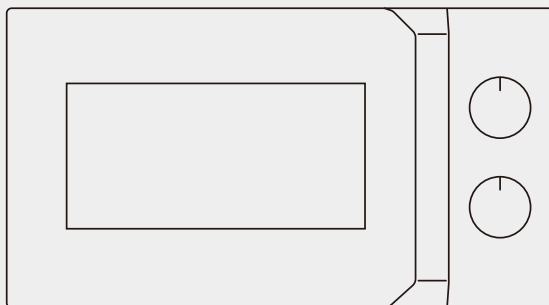
make yourself at home



www.midea.com

© Midea 2024 all rights reserved

PN:16170000B01748



MIKROVALOVNA PEČICA

SL

PRIROČNIK ZA UPORABO

MM20CF2E
MM20CF2EBK

Opozorila: Pred uporabo izdelka pozorno preberite ta priročnik in ga hranite za prihodnjo uporabo. Zasnova in specifikacije se lahko spremenijo brez predhodnega obvestila za izboljšave izdelka. Za podrobnosti se posvetujte s prodajalcem ali proizvajalcem. Zgornji diagram je samo za referenco. Za standard upoštevajte videz dejanskega izdelka.

ZAHVALNO PISMO

Hvala, ker ste izbrali Midea! Pred uporabo vašega novega izdelka Midea natančno preberite ta priročnik, da zagotovite varno upravljanje z lastnostmi in funkcijami, ki jih ponuja vaša nova naprava.

KAZALO







ZAHVALNO PISMO	01
VARNOSTNA NAVODILA	02
SPECIFIKACIJE	12
PREGLED IZDELKA	13
NAMESTITEV IZDELKA	14
NAVODILA ZA UPORABO	15
ČIŠČENJE IN VZDRŽEVANJE	16
ODPRAVLJANJE NAPAK	17
BLAGOVNE ZNAMKE, AVTORSKE PRAVICE IN PRAVNA IZJAVA	18
ODSTRANJEVANJE IN RECIKLIRANJE	19
OBVESTILO O VARSTVU PODATKOV	20

VARNOSTNA NAVODILA

Predvidena uporaba

Naslednje varnostne smernice so namenjene za preprečevanje nepredvidenih tveganj ali poškodb zaradi nevarne ali nepravilne uporabe naprave. Ob prejemu takoj preverite embalažo in napravo, da se prepričate, da ni poškodovana in zagotovite varno delovanje. Če najdete poškodbe, se obrnite na prodajalca. Spreminjanje ali prilagajanje naprave ni dovoljeno iz varnostnih razlogov. Nenamenska uporaba lahko povzroči nevarnosti in izgubo garancije.

Razlaga simbolov

	Nevarnost Ta simbol označuje, da obstaja nevarnost za življenje in zdravje ljudi zaradi izjemno vnetljivega plina.
	Opozorilo o električni napetosti Ta simbol pomeni nevarnost za življenje in zdravje ljudi zaradi napetosti.
	Opozorilo Opozorilna beseda označuje nevarnost s srednjo stopnjo tveganja, ki lahko, če se ji ne izognete, povzroči smrt ali resne telesne poškodbe.
	Pozor Opozorilna beseda označuje nevarnost z nizko stopnjo tveganja, ki lahko, če se ji ne izognete, povzroči manjše ali zmerne poškodbe.
	Pozor Opozorilna beseda označuje pomembne informacije (npr. materialna škoda), ne pa tudi nevarnosti.
	Upoštevanje pravil Ta simbol pomeni, da mora serviser uporabljati in vzdrževati to napravo v skladu z navodili za uporabo.

Pred uporabo/zagonom note natančno preberite ta navodila za uporabo in jih hranite v neposredni bližini mesta namestitve ali note za kasnejšo uporabo!

SL

Varnostni ukrepi, da se izognete morebitni izpostavljenosti pretirani mikrovalovni energiji

- a. Te pečice ne poskušajte uporabljati z odprtimi vrati, saj lahko to povzroči škodljivo izpostavljenost mikrovalovni energiji. Pomembno je, da ne zlomite ali posegate v varnostne zapore.
- b. Ne postavljajte predmetov med sprednjo stran pečice in vrata in ne dovolite, da se na tesnilnih površinah naberejo ostanki umazanije ali čistila.
- c. **OPOZORILO:** Če so vrata ali tesnila vrat poškodovana, pečice ne smete upravljati, dokler je ne popravi pristojna oseba.

Dodatek

Če se naprava ne vzdržuje z ustrezno čistočo, lahko privede do poškodb na površini ter vpliva na življenjsko dobo aparata in povzroči nevarne okoliščine.

▲ OPOZORILO

Za zmanjšanje nevarnosti požara, električnega udara, poškodb oseb ali izpostavljenosti prekomerni energiji mikrovalovne pečice med uporabo naprave preberite in upoštevajte posebne varnostne ukrepe:

- Pozorno preberite in sledite določenim:
"VARNOSTNIM UKREPOM ZA PREPREČITEV MOŽNE IZPOSTAVLJENOSTI PREKOMERNI MIKROVALOVNI ENERGIJI"
- Naprava ni namenjena za uporabo s strani oseb (vključno z otroki) z zmanjšanimi telesnimi, senzoričnimi ali psihičnimi sposobnostmi ter oseb brez izkušenj in znanja, razen če so pod nadzorom ali so dobile navodila o varni uporabi naprave od osebe, ki je odgovorna za njihovo varnost.
- Otroci morajo biti pod nadzorom, da se ne bi igrali z napravo.
- Če je napajalni kabel poškodovan, ga mora zamenjati proizvajalec, njegov pooblaščen servisni zastopnik ali podobno usposobljeno osebje, da se izognete nevarnosti.
- OPOZORILO: Pred zamenjavo žarnice se prepričajte, da je naprava izključena, da preprečite možnost električnega udara.
- OPOZORILO: Nevarno je, da kdor koli, razen pristojne osebe, opravi kakršne koli storitve ali popravila, ki vključujejo odstranitev pokrova, ki ščiti pred izpostavljenostjo mikrovalovni energiji.
- OPOZORILO: Tekočin in drugih živil ne smemo segrevati v zaprtih posodah, saj lahko eksplodirajo.

- Kadar hrano segrevate v plastičnih ali papirnatih posodah, pazite na pečico, saj obstaja nevarnost vžiga.
- Uporabljajte samo pripomočke, ki so primerni za uporabo v mikrovalovnih pečicah.
- Če opazite dim, izklopite napravo ali jo odklopite z napajanja, vrata pa pustite zaprta, da preprečite širjenje morebitnega požara.
- Segrevanje pijač v mikrovalovni pečici lahko povzroči zakasnjeno vrenje, zato bodite previdni pri ravnanju s posodami.
- Vsebinske steklenice za dojenčke in otroško hrano je treba pred uživanjem premešati ali pretresti in preveriti temperaturo, da se prepreči opekline.
- Jajc v lupini in celih trdo kuhanih jajc ne segrevajte v mikrovalovni pečici, saj lahko eksplodirajo tudi po končanem segrevanju.
- Pečico je treba redno čistiti in odstranjevati ostanke hrane.
- Če ne vzdržujete čistoče v pečici, lahko to privede do propadanja njenih površin, kar lahko negativno vpliva na življenjsko dobo aparata ter privede do potencialno nevarnih situacij.
- Naprave ne smete nameščati za okrasnimi vrati, da ne pride do pregrevanja. (To ne velja za naprave z okrasnimi vrati.)
- Uporabljajte izključno temperaturno sondo, ki je priporočena za to vrsto mikrovalovne pečice. (za pečice, ki so opremljene za uporabo sonde za zaznavanje temperature.)
- Mikrovalovna pečica ne sme biti nameščena v omari, razen če je bila v omari preizkušena.

- Mikrovalovno pečico morate uporabljati odprtimi z okrasnimi vrati. (Za pečice z okrasnimi vrati.)
- Ta naprava je namenjena uporabi v gospodinjstvu in podobnih okoljih, kot so:
 - kuhinje za osebje v trgovinah, pisarnah in drugih delavnih okoljih;
 - s strani gostov v hotelih, motelih in drugih podobnih bivalnih okoljih;
 - kmetijah;
 - v namestitvah s prenočiščem in zajtrkom.
- Mikrovalovna pečica je namenjena gretju hrane in pijač. Sušenje jedi ali oblačil in gretje grelnih blazin, copat, gobic, vlažnih krp ipd. lahko povzroči poškodbe, vžig ali požar.
- Kovinskih posod za hrano in pijačo ni dovoljeno uporabljati v mikrovalovni pečici.
- Naprave ne čistite s parnim čistilcem.
- Naprava je namenjena samostojni uporabi.
- Hrbtna stran naprav mora biti nameščena ob steno.

POZORNO PREBERITE IN SHRANITE ZA KASNEJŠO UPORABO

Za zmanjšanje nevarnosti telesnih poškodb ljudi

⚠ NEVARNOST

Nevarnost električnega udara

Če se dotaknete nekaterih notranjih komponent, lahko pride do resnih telesnih poškodb ali smrti. Naprave ne razstavljajte.

⚠ OPOZORILO

Nevarnost električnega udara

Neppravilna uporaba ozemljitve lahko povzroči električni udar. Naprave ne priključujte v vtičnico, dokler ni pravilno nameščena in ozemljena.

Naprava more biti ozemljena. V primeru električnega kratkega stika ozemljitev zmanjša nevarnost električnega udara z zagotavljanjem izhodne žice za električni tok.

Ta naprava je opremljena z električnim kablom, ki ima ozemljeno žico ter ozemljen vtič. Električni vtič mora biti vključen v električno vtičnico, ki je ustrezno nameščena in ozemljena.

Če navodil za ozemljitev ne razumete popolnoma ali če ste v dvomu glede pravilne ozemljitve naprave, se obrnite za pomoč na usposobljenega električarja ali serviserja.

Če morate uporabiti podaljšek električnega kabla, uporabite izključno 3-žilni kabel.

SL

- Napravi je priložen kratek električni kabel, ki zmanjšuje nevarnost, da bi se zapletli vanj ali se spotikali ob kabel.
- Če uporabljate dolg električni kabel ali podaljšek električnega kabla:
 - Označena električna moč kompleta kabla ali podaljška kabla mora biti najmanj enaka označeni električni moči naprave.
 - Podaljšek kabla mora biti ozemljitveni 3-žilni kabel.
 - Dolg električni kabel mora biti razporejen tako, da se ne ovija okoli zgornje plošče pulta ali mize, od koder bi ga lahko potegnili otroci ali se vanj nenamerno spotaknili.

Vrste kuhinjskih pripomočkov

POZOR

Nevarnost telesnih poškodb

Nevarno je, da kdor koli, razen pristojne osebe, opravi kakršne koli storitve ali popravila, ki vključujejo odstranitev pokrova, ki ščiti pred izpostavljenostjo mikrovalovni energiji.

Glejte navodila v »Materiali, ki jih lahko uporabljate v mikrovalovni pečici oz. ki jih ne smete uporabljati v mikrovalovni pečici.« Določeni nekovinski kuhinjski pripomočki so lahko nevarni za uporabo v mikrovalovni pečici. Če ste v dvomih, lahko pripomoček preizkusite po spodnjem postopku.

Preizkus pripomočka:

- V posodo, varno za uporabo v mikrovalovni pečici nalijte 1 skodelico hladne vode (250 ml) ter dajte vanjo pripomoček, ki ga želite preizkusiti.
- Segrevajte na največji moči 1 minuto.
- Previdno otipajte pripomoček. Če je pripomoček topel, ga ne uporabljajte v mikrovalovni pečici.
- Ne segrevajte dlje kot 1 minuto.

Materiali, ki jih lahko uporabljate v mikrovalovni pečici

Vrste kuhinjskih pripomočkov	Opombe
Namenski pekač, v katerem se jed zapeče	Upoštevajte navodila proizvajalca. Dno posode za mora biti najmanj 5 mm nad vrtljivim podstavkom. Nepravilna uporaba lahko povzroči, da se vrtljivi podstavek zlomi.
Namizna posoda	Samo za uporabo v mikrovalovni pečici. Upoštevajte navodila proizvajalca. Ne uporabljajte počenih ali okrušenih posod.
Steklene posode	Vedno odstranite pokrov. Uporabljajte samo za segrevanje hrane, dokler ni topla. Večina steklenih posod ni odporna na vročino in lahko počijo.
Steklovina	Samo na vročino odporna steklovina primerna za mikrovalovno pečico. Preverite, da nima nobenih kovinskih obrob. Ne uporabljajte počenih ali okrušenih posod.
Vrečke za kuhanje v pečici	Upoštevajte navodila proizvajalca. Ne zapirajte s kovinsko vezico. Napravite zareze, da lahko para uhaja.
Papirnati krožniki in kozarci	Uporabljajte samo za kratkotrajno kuhanje/segrevanje. Med segrevanjem ne puščajte pečice brez nadzora.
Papirnate brisače	Uporabljajte za pokrivanje hrane pri ponovnem segrevanju in za vpijanje maščobe. Uporabljajte samo za kratkotrajno segrevanje pod nadzorom.
Pergamentni papir	Uporabite kot prekrivalo za preprečevanje škropljenja ali za zaščito pred paro.
Plastika	Samo za uporabo v mikrovalovni pečici. Upoštevajte navodila proizvajalca. Mora biti označena z »Varno za uporabo v mikrovalovni pečici«. Nekatere plastične posode se zmeščajo, če se hrana v njih preveč segreje. »Vrečke za kuhanje« in tesno zaprte plastične vrečke je treba zarezati ali preluknjati ali odzračiti po navodilih embalaže.
Plastični ovoj	Samo za uporabo v mikrovalovni pečici. Uporabljajte za pokrivanje hrane med segrevanjem za ohranjanje vlage. Plastični ovoj se ne sme dotikati hrane.
Termometri	Samo za uporabo v mikrovalovni pečici (termometri za meso in sladkor).
Voščeni papir	Uporabite kot prekrivalo za preprečevanje škropljenja in za ohranjanje vlage.

SL

Materiali, ki jih ne smete uporabljati v mikrovalovni pečici

Vrste kuhinjskih pripomočkov	Opombe
Aluminijast pladenj	Lahko povzroči iskrenje. Preložite hrano v posodo, ki je varna za uporabo v mikrovalovni pečici.
Škatla za živila s kovinskim ročajem	Lahko povzroči iskrenje. Preložite hrano v posodo, ki je varna za uporabo v mikrovalovni pečici.
Kovinski ali s kovino obrobjeni kuhinjski pripomočki	Kovina ščiti živila pred mikrovalovno energijo. Kovinska obroba lahko povzroči iskrenje.
Kovinske vezice	Lahko povzročijo iskrenje in ogenj v pečici.
Papirnate vrečke	Lahko povzročijo požar v pečici.
Plastična pena	Plastična pena se lahko stopi ali onesnaži tekočino v posodi, če je izpostavljena visoki temperaturi.
Les	Les se pri uporabi v mikrovalovni pečici izsuši in lahko razpoka ali počí.

SPECIFIKACIJE

MODEL	MM20CF2E/MM20CF2EBK
NAZIVNA NAPETOST	230 V- 50 Hz
NAZIVNA VHODNA MOČ (MIKROVALOVNA PEČICA):	1050W
NAZIVNA IZHODNA MOČ (MIKROVALOVNA PEČICA):	700W

PREGLED IZDELKA

Imena sestavnih delov in dodatkov

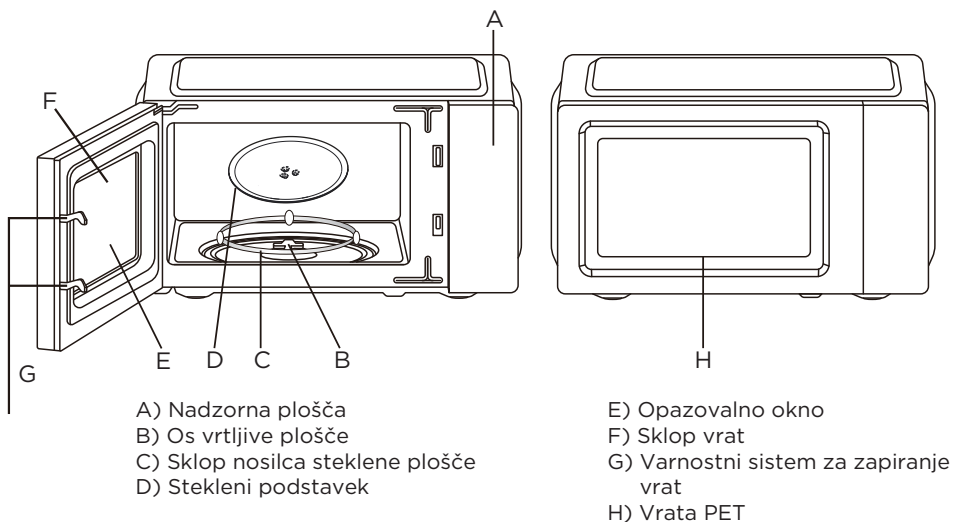
⚠ OPOZORILO

Pred uporabo odlepите prozorno zaščitno folijo z vrat PET.

Odstranite pečico in ves material iz škatle in iz notranjosti pečice.

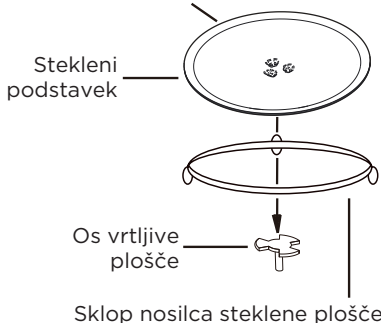
Mikrovalovna pečica je opremljena z naslednjimi dodatki:

Stekleni podstavek	1
Sklop nosilca steklene plošče	1
Navodila za uporabo	1



Namestitev vrtljivega podstavka

Nastavek za nosilec (na spodnji strani) a.



Nikoli ne postavite steklenega podstavka obrnjenega navzdol. Steklenega podstavka nikoli ne omejujte.

b. Med uporabo naprave morata biti vedno v uporabi oba, stekleni podstavek in sklop obroča vrtljivega podstavka.

c. Vsa hrana in posode s hrano morajo biti za kuhanje vedno postavljene na stekleni podstavek.

d. Če stekleni podstavek ali sklop obroča vrtljivega podstavka razpokata ali se zlomita, se obrnite na najbližji pooblaščen servisni center.

OPOMBA

V primeru kakršnih koli razlik med napravo in slikami v tem priročniku ima izdelek prednost.

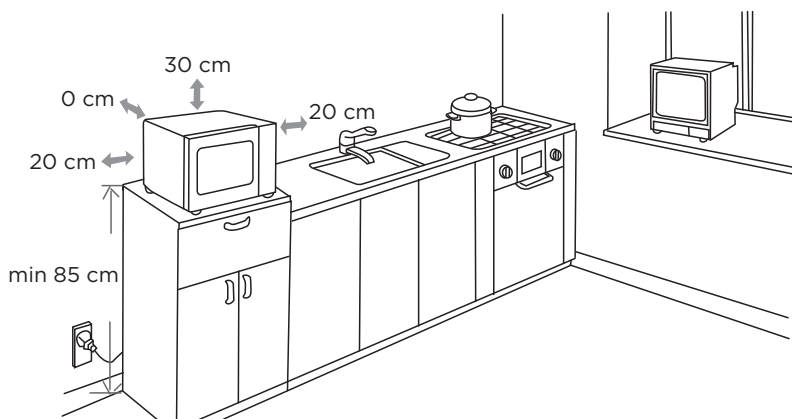
NAMESTITEV IZDELKA

Namestitev mikrovalovke

Odstranite ves embalažni material in dodatke. Preglejte pečico, da nima nobenih poškodb, kot so udrtine ali zlomljena vrata. Ne nameščajte, če je pečica poškodovana. Ohišje: Odstranite vse zaščitne folije, ki so na površini ohišja mikrovalovne pečice. Ne odstranjujte svetlo rjavega pokrova sljude, ki je nameščen v pečici, da zaščiti magnetron.

Namestitev

1. Izberite ravno površino, ki ponuja dovolj prostora za odprtine za dovod in/ali izstop zraka.



- Najmanjša višina vgradnje je 85 cm.
 - Hrbtina naprave mora biti postavljena ob steno. Nad površino pečice naj bo minimalno 30 cm prostora, med pečico in morebitnimi sosednjimi stenami pa mora biti najmanj 20 cm prostora.
 - Ne odstranite nog z dna pečice.
 - Blokiranje prezračevalnih dovodov in/ali odprtin lahko poškoduje napravo.
 - Pečico postavite čim dlje od radia in televizorja. Delovanje mikrovalovne pečice lahko povzroči motnje v radiu ali televiziji.
2. Priključite pečico v običajno gospodinjstvo vtičnico. Prepričajte se, da sta napetost in frekvenca enaki napetosti in frekvenci na tipski tablici naprave.

⚠ OPOZORILO

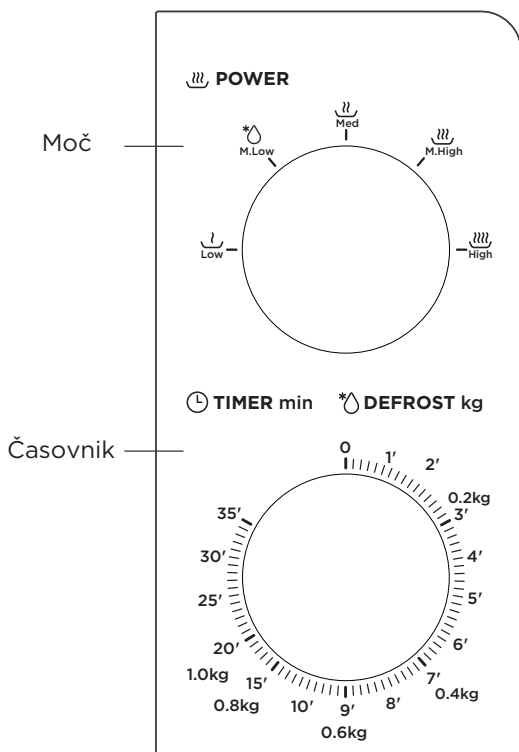
Naprave ne nameščajte nad kuhhalno ploščo ali druge naprave za ustvarjanje toplote. Če je nameščena blizu ali nad virom toplote, se lahko naprava poškoduje in tako razveljavi garancijo.

Dostopna površina je med delovanjem lahko vroča.



NAVODILA ZA UPORABO

Nadzorna plošča in funkcije



1. Nastavitev moči kuhanja z obračanjem gumba za vklop na želeno raven.
2. Nastavitev zelenega časa kuhanja z obračanjem gumba za časovnik v skladu z navodili za kuhanje hrane.
3. Mikrovalovna pečica začne samodejno kuhati po nastavitvi stopnje moči in časa.
4. Ko poteče čas kuhanja, naprava naznani konec z zvočnim signalom.
5. Kadar naprava ni v uporabi, vedno nastavite čas na začetni položaj.

Funkcija/Moč	Izhod	Uporaba
Low	17 % mikrovalov	Mehčanje sladoleda
*M.Low	33 % mikrovalov	Juha enolončnica, mehčanje masla ali odtajanje
Med	55 % mikrovalov	Obara, riba
M.High	77 % mikrovalov	Riž, riba, piščanec, mleto meso
High	100 % mikrovalov	Ogrevanje, mleko, vrela voda, zelenjava, pijača

OPOMBA

Ko jemljete hrano iz naprave, poskrbite, da je mikrovalovna pečica izklopljena tako, da stikalo za uro obrnete na začetni položaj. Če tega ne storite in mikrovalovna pečica ostane vklopljena brez hrane, lahko povzroči pregrevanje in poškodbo magnetrona.

ČIŠČENJE IN VZDRŽEVANJE

Prepričajte se, da je naprava izklopljena iz električnega omrežja.


- Po uporabi očistite notranji predel pečice z rahlo navlaženo krpo.
- Pripomočke očistite na običajen način z milnico.
- Kadar so okvir in tesnilo vrat ter notranji deli umazani, jih je potrebno očistiti z vlažno krpo.
- Za čiščenje steklenih vrat pečice ne uporabljajte abrazivnih čistilnih sredstev ali ostrih kovinskih strgalnikov, ker lahko opraskajo površino in povzročijo, da se steklo razbije.
- Nasvet za čiščenje---Za lažje čiščenje sten notranjega predela, s katerim lahko prihaja v stik pogreeta hrana: V posodo dajte polovico limone, dodajte 300 ml vode in jo 10 minut segrevajte s polno močjo mikrovalovne pečice. Pečico očistite z mehko in suho krpo.

ODPRAVLJANJE NAPAK

Normalno	
Mikrovalovna pečica moti TV sprejem	Med delovanjem mikrovalovne pečice sta lahko radijski in TV sprejem motena. Motnje so podobne motnjam majhnih električnih naprav, na primer mešalca, sesalnika in električnega ventilatorja. To je normalno.
Zatemnjena luč mikrovalovne pečice	Če mikrovalovna pečica deluje z majhno močjo, je lahko intenzivnost svetlobe nižja. To je normalno.
Na vratih se nabira para, iz odprtih za zračenje prihaja vroč zrak	Med kuhanjem lahko iz živila izhaja para. Večina pare se odvaja skozi prezračevalne odprtine. Nekaj pa se je lahko nabira na hladnejših predelih, na primer na vratih. To je normalno.
Vklop pečice brez hrane.	Uporaba pečice brez živila je prepovedana. To je zelo nevarno.

Težava	Možen vzrok	Rešitev
Pečice ne morete vključiti.	<ul style="list-style-type: none">Napajalni kabel ni pravilno priključen.	<ul style="list-style-type: none">Potegnite vtič iz vtičnice. Nato ga ponovno priklopite po 10 sekundah.
	<ul style="list-style-type: none">Pregorela varovalka ali odklopnik deluje.	<ul style="list-style-type: none">Zamenjajte varovalko ali ponastavite odklopnik (to mora opraviti pooblaščen strokovnjak našega podjetja).
	<ul style="list-style-type: none">Težave z vtičnico.	<ul style="list-style-type: none">Preverite vtičnico z drugimi električnimi napravami.
Pečica ne greje.	<ul style="list-style-type: none">Vrata niso dobro zaprta.	<ul style="list-style-type: none">Dobro zaprite vrata.

BLAGOVNE ZNAMKE, AVTORSKE PRAVICE IN PRAVNA IZJAVA

 Midea logotip, besedne znamke, trgovsko ime, komercialni videz in vse njihove različice so dragocena sredstva skupine Midea in/ali njenih podružnic («Midea»), za katere ima Midea v lasti blagovne znamke, avtorske pravice in druge pravice intelektualne lastnine ter vse poslovne vrednosti, ki izhajajo iz uporabe katerega koli dela blagovne znamke Midea. Uporaba blagovne znamke Midea v komercialne namene brez predhodnega pisnega soglasja družbe Midea lahko pomeni kršitev blagovne znamke ali nelejalno konkurenco, kar je v nasprotju z veljavno zakonodajo.

Ta priročnik je ustvarila Midea in Midea si pridržuje vse avtorske pravice. Nobena pravna ali fizična oseba ne sme uporabljati, podvajati, spreminjati, distribuirati v celoti ali delno tega priročnika ali združevati ali prodajati z drugimi izdelki brez predhodnega pisnega soglasja družbe Midea.

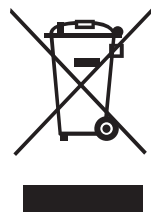
Vse opisane funkcije in navodila so bila posodobljena v času tiska tega priročnika. Vendar se lahko dejanski izdelek razlikuje zaradi izboljšanih funkcij in dizajna.

ODSTRANJEVANJE IN RECIKLIRANJE

Pomembna navodila za okolje

Skladnost z direktivo OEEO in odstranjevanje odpadnega izdelka:
Ta izdelek je v skladu z direktivo EU OEEO (2012/19/EU). Izdelek je opremljen s simbolom razvrstitve za odpadno električno in elektronsko opremo (WEEE).

Ta simbol označuje, da tega izdelka po koncu njegove življenjske dobe ne smete zavreči skupaj z drugimi gospodinjskimi odpadki. Rabljeno napravo je treba vrniti na uradno zbirno mesto za recikliranje električnih elektronskih naprav. Za informacije o lokaciji teh zbirnih sistemov se obrnite na lokalne organe ali prodajalca, kjer ste kupili izdelek. Vsako gospodinjstvo igra pomembno vlogo pri obnovitvi in recikliranju starih naprav. Ustrezno odlaganje uporabljenega aparata pomaga preprečiti morebitne negativne posledice za okolje in zdravje ljudi.

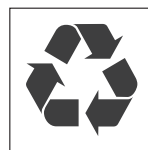


Skladnost z direktivo RoHS

Izdelek, ki ste ga kupili, je skladen z EU direktivo RoHS (2011/65/EU). Ne vsebuje škodljivih ali prepovedanih materialov, navedenih v direktivi.

Informacije o embalaži

Embalažni materiali izdelka so izdelani iz materialov, ki jih je mogoče reciklirati, v skladu z našimi nacionalnimi okoljskimi predpisi. Embalažnega materiala ne odlagajte skupaj z gospodinjskimi ali drugimi odpadki. Odnosite jih na zbirna mesta za embalažo, ki so jih določile lokalne oblasti.



OBVESTILO O VARSTVU PODATKOV

Za zagotavljanje storitev, dogovorjenih s stranko, se strinjamo, da bomo brez omejitev ravnali v skladu z vsemi določili veljavne zakonodaje o varstvu podatkov, v skladu z državami, v kateri bodo zagotavljane storitve za stranko, ter (kjer je primerno), s Splošno uredbo o varstvu podatkov EU (GDPR).

Na splošno je naša obdelava podatkov namenjena izpolnjevanju naše pogodbene obveznosti z vami in zaradi varnosti izdelkov za zaščito vaših pravic v zvezi z vprašanji glede garancije in registracije izdelka. V nekaterih primerih, a le če je zagotovljeno ustrezno varstvo podatkov, se lahko osebni podatki prenesejo prejemnikom, ki se nahajajo zunaj Evropskega gospodarskega prostora.

Dodatne informacije so na voljo na zahtevo. Z našo pooblaščenno osebo za varstvo podatkov lahko stopite v stik prek **MideaDPO@midea.com**. Če želite uveljavljati svoje pravice, kot je pravica do ugovora obdelavi vaših osebnih datumov za namene neposrednega trženja, se obrnite na nas preko **MideaDPO@midea.com**. Za več informacij sledite QR-kodi.



make yourself at home



www.midea.com

© Midea 2024 all rights reserved

PN:16170000B02819