

AIR CONDITIONER
REMOTE CONTROLLER ILLUSTRATION



The design and specifications are subject to change without prior notice for product improvement. Consult with the sales agency or manufacturer for details.

CR132-RG57A3

Thank you very much for purchasing our air conditioner. Please read this owner's manual carefully before using your air conditioner. Make sure to save this manual for future reference.

CONTENTS

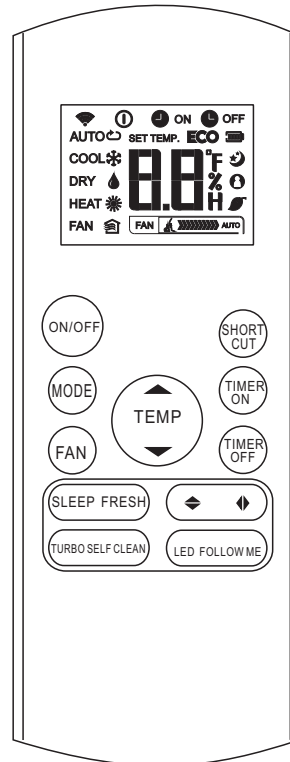
Remote controller Specifications.....	2
Operation buttons	3
Indicators on LCD	6
How to use the buttons	7
Auto operation.....	7
Cooling/Heating/Fan operation.....	7
Dehumidifying operation	8
Adjusting air flow direction.....	8
Timer operation.....	9
Handling the remote controller	13

NOTE:

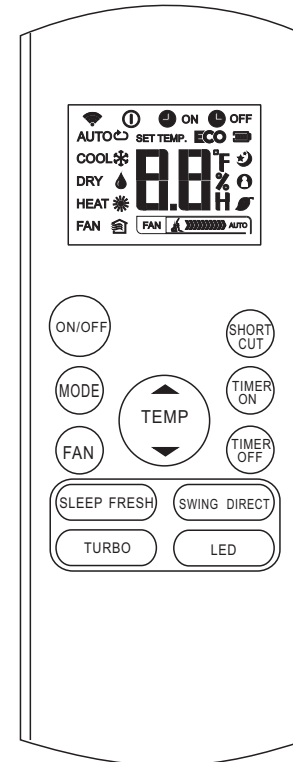
- Buttons design is based on typical model and might be slightly different from the actual one you purchased, the actual shape shall prevail.
- All the functions described are accomplished by the unit. If the unit has no this feature, there is no corresponding operation happened when press the relative button on the remote controller.
- When there are wide differences between "Remote controller Illustration" and "USER'S MANUAL" on function description, the description of "USER'S MANUAL" shall prevail.
- For model of RG57Y1/BGEF ,If the unit is turned off under COOL, AUTO or DRY mode with the set temperature less than 24°C, the set temperature will be automatically set to 24°C when you turn on the unit again. If the unit is turned off under HEAT mode with the set temperature more than 24°C, the set temperature will be automatically set to 24°C when you turn on the unit again.

Remote Controller Specifications

Model	RG57A3/BGEF, RG57A2/BGEF, RG57B/BGE, RG57D/BGE, RG57Y1/BGEF
Rated Voltage	3.0V(Dry batteries R03/LR03 × 2)
Signal Receiving Range	8m
Environment	-5°C~60°C

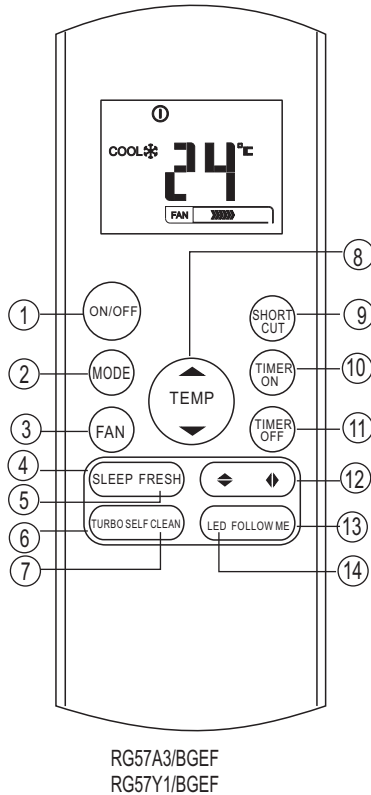


RG57A2/BGEF
(FRESH button is not available)
RG57A3/BGEF
RG57Y1/BGEF



RG57B/BGE
(FRESH button is not available)
RG57D/BGE

Operation of buttons

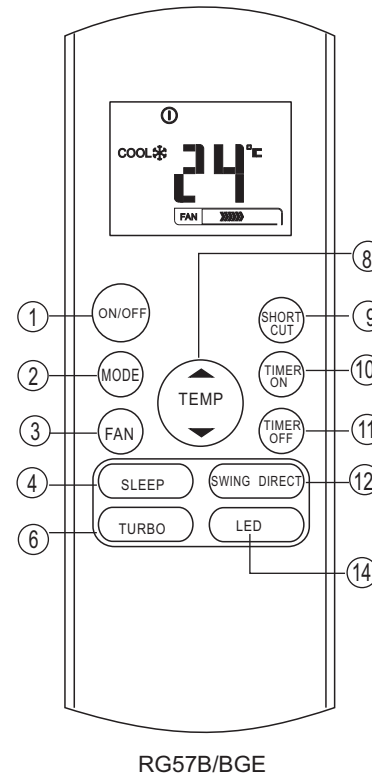


RG57A3/BGEF
RG57Y1/BGEF

- ① **ON/OFF Button**
This button turns the air conditioner ON and OFF.
- ② **MODE Button**
Press this button to modify the air conditioner mode in a sequence of following:
→ AUTO → COOL → DRY → HEAT → FAN
NOTE: Please do not select HEAT mode if the machine you purchased is cooling only type. Heat mode is not supported by the cooling only appliance.
- ③ **FAN Button**
Used to select the fan speed in four steps:
→ AUTO → LOW → MED → HIGH
NOTE: You can not switch the fan speed in AUTO or DRY mode.
- ④ **SLEEP Button**
 - Active/Disable sleep function. It can maintain the most comfortable temperature and save energy. This function is available on COOL, HEAT or AUTO mode only .
 - For the detail, see "sleep operation" in "USER'S MANUAL"**NOTE:** While the unit is running under SLEEP mode, it would be cancelled if MODE, FAN SPEED or ON/OFF button is pressed.
- ⑤ **FRESH Button**(applicable to RG57A3/BGEF, RG57D/BGE and RG57Y1/BGEF only)
Active/Disable FRESH function. When the FRESH function is initiated, the Ionizer/Plasma Dust Collector(depending on models) is energized and will help to remove pollen and impurities from the air.
- ⑥ **TURBO Button**
Active/Disable Turbo function. Turbo function enables the unit to reach the preset temperature at cooling or heating operation in the shortest time(if the indoor unit does not support this function, there is no corresponding operation happened when pressing this button.)
- ⑦ **SELF CLEAN Button**(applicable to RG57(A2)A3/BGEF ,RG57Y1/BGEF)
Active/Disable Self Clean function

③

Operation of buttons

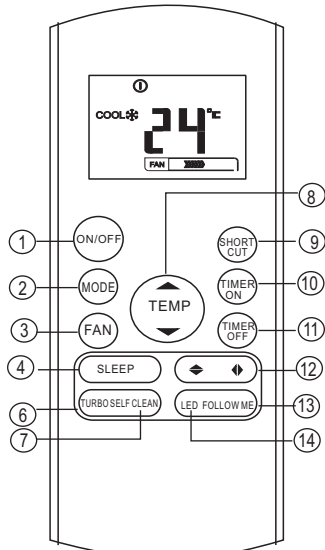


RG57B/BGE

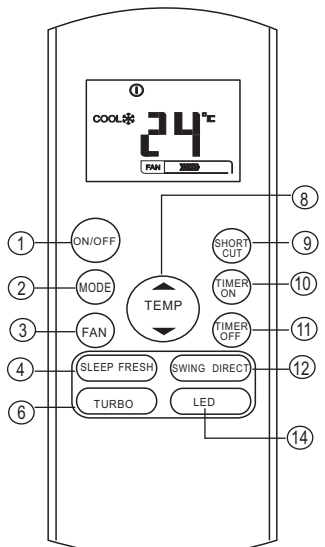
- ⑧ **UP Button(▲)**
Push this button to increase the indoor temperature setting in 1°C increments to 30°C.
- DOWN Button(▼)**
Push this button to decrease the indoor temperature setting in 1°C increments to 17°C.
NOTE: Temperature control is not available in Fan mode.
- ⑨ **SHORTCUT Button**
 - Used to restore the current settings or resume previous settings.
 - On the first time connecting to the power, if push the SHORTCUT button, the unit will operate on AUTO mode, 26°C, and fan speed is Auto.
 - Push this button when remote controller is on, the system will automatically revert back to the previous settings including operating mode, setting temperature, fan speed level and sleep feature(if activated). If pushing more than 2 seconds, the system will automatically restore the current operation settings including operating mode, setting temperature, fan speed level and sleep feature(if activated) .
- ⑩ **TIMER ON Button**
Press this button to initiate the auto-on time sequence. Each press will increase the auto-timed setting in 30 minutes increments. When the setting time displays 10.0, each press will increase the auto-timed setting 60 minutes increments. To cancel the auto-timed program, simply adjust the auto-on time to 0.0.
- ⑪ **TIMER OFF Button**
Press this button to initiate the auto-off time sequence. Each press will increase the auto-timed setting in 30 minutes increments. When the setting time displays 10.0, each press will increase the auto-timed setting 60 minutes increments. To cancel the auto-timed program, simply adjust the auto-off time to 0.0

④

Operation of buttons



RG57A2/BGEF



RG57D/BGE

12 Swing ◀▶ Button

(applicable to RG57(A2)A3/BGEF, RG57Y1/BGEF)
Used to stop or start vertical louver movement and set the desired left/right air flow direction. The vertical louver changes 6 degree in angle for each press. And the temperature display area of indoor unit displays '↔' for one second. If keep pushing more than 2 seconds, the vertical louver swing feature is activated. And the display area of indoor unit displays 'III', flashes four times, then the temperature setting reverts back. If the vertical louver swing feature is stopped, it displays 'LC' and remains on for 3 seconds.

Swing ◀▶ Button

(applicable to RG57A3(A2)/BGEF, RG57Y1/BGEF)
Used to stop or start horizontal louver movement or set the desired up/down air flow direction. The louver changes 6 degree in angle for each press. If keep pushing more than 2 seconds, the louver will swing up and down automatically.

SWING Button(applicable to RG57B(D)/BGE)
Used to stop or start horizontal louver auto swing feature.

DIRECT Button(applicable to RG57B(D)/BGE)
Used to change the louver movement and set the desired up/down air flow direction. The louver changes 6° in angle for each press.

16 FOLLOW ME Button

(applicable to RG57(A2)A3/BGEF, RG57Y1/BGEF)
Push this button to initiate the Follow Me feature, the remote display is actual temperature at its location. The remote control will send this signal to the air conditioner every 3 minutes interval until press the Follow Me button again. The air conditioner will cancel the Follow Me feature automatically if it does not receive the signal during any 7 minutes interval.

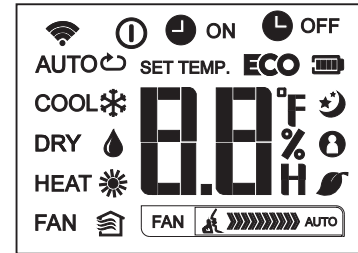
14 LED Button

Disable/Active indoor screen Display. When pushing the button, the indoor screen display is cleared, press it again to light the display.

5

Indicators on LCD

Information are displayed when the remote controller is powered up.



Mode display

AUTO COOL DRY
HEAT FAN

- Displayed when data transmitted.
- Displayed when remote controller is ON.
- Battery display(low battery detection)
- ECO** Not available for this unit
- ON Displayed when TIMER ON time is set.
- OFF Displayed when TIMER OFF time is set.
- Show set temperature or room temperature, or time under TIMER setting.

- Displayed in Sleep Mode operation.
- Indicated that the air conditioner is operating in Follow me mode
- Not available for this unit
- Not available for this unit

Fan speed indication

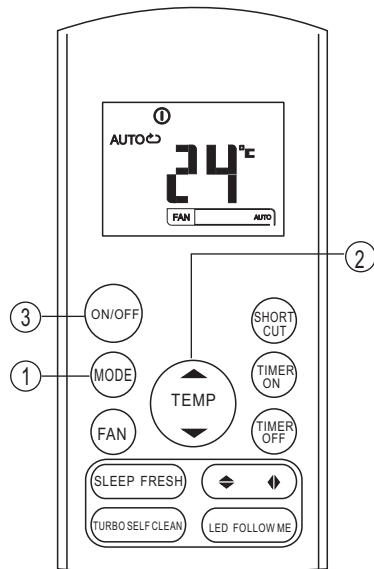
- FAN Low speed
- FAN Medium speed
- FAN High speed
- FAN AUTO Auto fan speed

Note:

All indicators shown in the figure are for the purpose of clear presentation. But during the actual operation only the relative functional signs are shown on the display window.

6

How to use the buttons



Auto operation

Ensure the unit is plugged in and power is available. The OPERATION indicator on the display panel of the indoor unit starts flashing.

1. Press the **MODE** button to select Auto.
2. Press the **UP/DOWN** button to set the desired temperature. The temperature can be set within a range of 17°C~ 30°C in 1°C increments.
3. Press the **ON/OFF** button to start the air conditioner.

NOTE

1. In the Auto mode, the air conditioner can logically choose the mode of Cooling, Fan, and Heating by sensing the difference between the actual ambient room temperature and the setting temperature on the remote controller.
2. In the Auto mode, you can not switch the fan speed. It has already been automatically controlled.
3. If the Auto mode is not comfortable for you, the desired mode can be selected manually.

Cooling /Heating/Fan operation

Ensure the unit is plugged in and power is available.

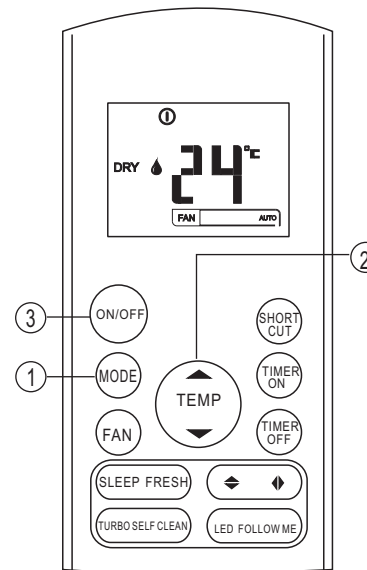
1. Press the **MODE** button to select COOL, HEAT (cooling & heating models only) or FAN mode.
2. Press the **UP/DOWN** buttons to set the desired temperature. The temperature can be set within a range of 17°C~ 30°C in 1°C increments.
3. Press the **FAN** button to select the fan speed in four steps- Auto, Low, Med, or High.
4. Press the **ON/OFF** button to start the air conditioner.

NOTE

In the FAN mode, the setting temperature is not displayed in the remote controller and you are not able to control the room temperature either. In this case, only step 1, 3 and 4 may be performed.

7

How to use the buttons



Dehumidifying operation

Ensure the unit is plugged in and power is available. The OPERATION indicator on the display panel of the indoor unit starts flashing.

1. Press the **MODE** button to select DRY mode.
2. Press the **UP/DOWN** buttons to set the desired temperature. The temperature can be set within a range of 17°C~ 30°C in 1°C increments.
3. Press the **ON/OFF** button to start the air conditioner.

NOTE

In the Dehumidifying mode, you can not switch the fan speed. It has already been automatically controlled.

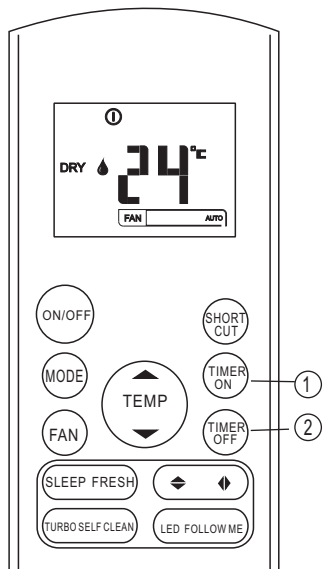
Adjusting air flow direction

Use the SWING ◀▶ & ◀▶ button to adjust the desired airflow direction.

1. Up/Down direction can be adjusted with the ◀▶ button on the remote controller. Each time when you press the button, the louver moves an angle of 6 degree. If pressing more than 2 seconds, the louver will swing up and down automatically.
2. Left/Right direction can be adjusted with the ◀▶ button on the remote controller. Each time when you press the button, the louver moves an angle of 6 degree. If pressing more than 2 seconds, the louver will swing up and down automatically.

NOTE: When the louver swing or move to a position which would affect the cooling or heating effect of the air conditioner, it would automatically change the swing/moving direction.

8



Timer operation

Press the TIMER ON button can set the auto-on time of the unit. Press the TIMER OFF button can set the auto-off time of the unit.

To set the Auto-on time.

1. Press the TIMER ON button. The remote controller shows TIMER ON, the last Auto-on setting time and the signal "H" will be shown on the LCD display area. Now it is ready to reset the Auto-on time to START the operation.
2. Push the TIMER ON button again to set desired Auto-on time. Each time you press the button, the time increases by half an hour between 0 and 10 hours and by one hour between 10 and 24 hours.
3. After setting the TIMER ON, there will be a one second delay before the remote controller transmits the signal to the air conditioner. Then, after approximately another 2 seconds, the signal "h" will disappear and the set temperature will re-appear on the LCD display window.

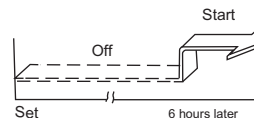
To set the Auto-off time.

1. Press the TIMER OFF button. The remote controller shows TIMER OFF, the last Auto-off setting time and the signal "H" will be shown on the LCD display area. Now it is ready to reset the Auto-off time to stop the operation.
2. Push the TIMER OFF button again to set desired Auto-off time. Each time you press the button, the time increases by half an hour between 0 and 10 hours and by one hour between 10 and 24 hours.
3. After setting the TIMER OFF, there will be a one second delay before the remote controller transmits the signal to the air conditioner. Then, after approximately another 2 seconds, the signal "H" will disappear and the set temperature will re-appear on the LCD display window.

CAUTION

- When you select the timer operation, the remote controller automatically transmits the timer signal to the indoor unit for the specified time. Therefore, keep the remote controller in a location where it can transmit the signal to the indoor unit properly.
- The effective operation time set by the remote controller for the timer function is limited to the following settings: 0.5, 1.0, 1.5, 2.0, 2.5, 3.0, 3.5, 4.0, 4.5, 5.0, 5.5, 6.0, 6.5, 7.0, 7.5, 8.0, 8.5, 9.0, 9.5, 10, 11, 12, 13, 14, 15, 16, 17, 18, 19, 20, 21, 22, 23 and 24.

Example of timer setting



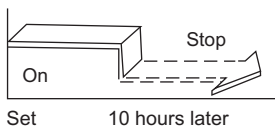
TIMER ON (Auto-on Operation)

The TIMER ON feature is useful when you want the unit to turn on automatically before you return home. The air conditioner will automatically start operating at the set time.

Example:

To start the air conditioner in 6 hours.

1. Press the TIMER ON button, the last setting of starting operation time and the signal "H" will show on the display area.
2. Press the TIMER ON button to display "6.0H" on the TIMER ON display of the remote controller.
3. Wait for 3 seconds and the digital display area will show the temperature again. The "TIMER ON" indicator remains on and this function is activated.



TIMER OFF
(Auto-off Operation)

The TIMER OFF feature is useful when you want the unit to turn off automatically after you go to bed. The air conditioner will stop automatically at the set time.

Example:

To stop the air conditioner in 10 hours.

1. Press the TIMER OFF button, the last setting of stopping operation time and the signal "H" will show on the display area.
2. Press the TIMER OFF button to display "10H" on the TIMER OFF display of the remote controller.
3. Wait for 3 seconds and the digital display area will show the temperature again. The "TIMER OFF" indicator remains on and this function is activated.

COMBINED TIMER

(Setting both ON and OFF timers simultaneously)

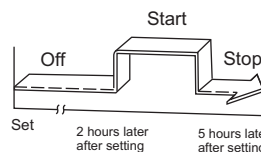
TIMER OFF → TIMER ON
(On → Stop → Start operation)

This feature is useful when you want to stop the air conditioner after you go to bed, and start it again in the morning when you wake up or when you return home.

Example:

To stop the air conditioner 2 hours after setting and start it again 10 hours after setting.

1. Press the TIMER OFF button.
2. Press the TIMER OFF button again to display 2.0H on the TIMER OFF display.
3. Press the TIMER ON button.
4. Press the TIMER ON button again to display 10H on the TIMER ON display .
5. Wait for 3 seconds and the digital display area will show the temperature again. The "TIMER ON OFF" indicator remains on and this function is activated.



TIMER ON → TIMER OFF
(Off → Start → Stop operation)

This feature is useful when you want to start the air conditioner before you wake up and stop it after you leave the house.

Example:

To start the air conditioner 2 hours after setting, and stop it 5 hours after setting.

1. Press the TIMER ON button.
2. Press the TIMER ON button again to display 2.0H on the TIMER ON display.
3. Press the TIMER OFF button.
4. Press the TIMER OFF button again to display 5.0H on the TIMER OFF display .
5. Wait for 3 seconds and the digital display area will show the temperature again. The "TIMER ON & TIMER OFF" indicator remains on and this function is activated.

Handling the remote controller



Location of the remote controller.

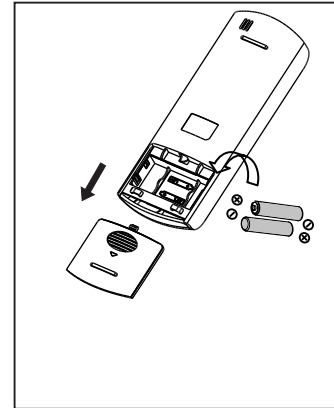
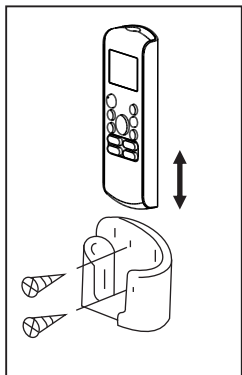
- Use the remote controller within a distance of 8 meters from the appliance, pointing it towards the receiver. Reception is confirmed by a beep.

CAUTIONS

- The air conditioner will not operate if curtains, doors or other materials block the signals from the remote controller to the indoor unit.
- Prevent any liquid from falling into the remote controller. Do not expose the remote controller to direct sunlight or heat.
- If the infrared signal receiver on the indoor unit is exposed to direct sunlight, the air conditioner may not function properly. Use curtains to prevent the sunlight from falling on the receiver.
- If other electrical appliances react to the remote controller, either move these appliances or consult your local dealer.
- Do not drop the remote controller. Handle with care.
- Do not place heavy objects on the remote controller, or step on it.

Using the remote controller holder(optional)

- The remote controller can be attached to a wall or pillar by using a remote controller holder(not supplied, purchased separately).
- Before installing the remote controller, check that the air conditioner receives the signals properly.
- Install the remote controller with two screws.
- For installing or removing the remote controller, move it up or down in the holder.



Replacing batteries

The following cases signify exhausted batteries. Replace old batteries with new ones.

- Receiving beep is not emitted when a signal is transmitted.
- Indicator fades away.

Your air conditioning unit may come with two batteries(some units). Put the batteries in the remote control before use:

- (1) Remove the cover in the rear part of the remote controller.
- (2) Remove the old batteries and insert the new batteries, placing the(+) and (-) ends correctly.
- (3) Install the cover back on.

NOTE: When the batteries are removed, the remote controller erases all programming. After inserting new batteries, the remote controller must be reprogrammed.

CAUTIONS

- Do not mix old and new batteries or batteries of different types.
- Do not leave the batteries in the remote controller if they are not going to be used for 2 or 3 months.
- Do not dispose batteries as unsorted municipal waste. Collection of such waste separately for special treatment is necessary.

ΚΛΙΜΑΤΙΣΤΙΚΟ

ΑΠΕΙΚΟΝΙΣΗ ΤΗΛΕΧΕΙΡΙΣΤΗΡΙΟΥ



Σας ευχαριστούμε πολύ που αγοράσατε το κλιματιστικό μας.
Διαβάστε προσεκτικά το παρόν εγχειρίδιο χρήστη πριν
χρησιμοποιήσετε το κλιματιστικό σας.
Φροντίστε να φυλάξετε αυτό το εγχειρίδιο οδηγιών
για μελλοντική αναφορά.

ΠΕΡΙΕΧΟΜΕΝΑ

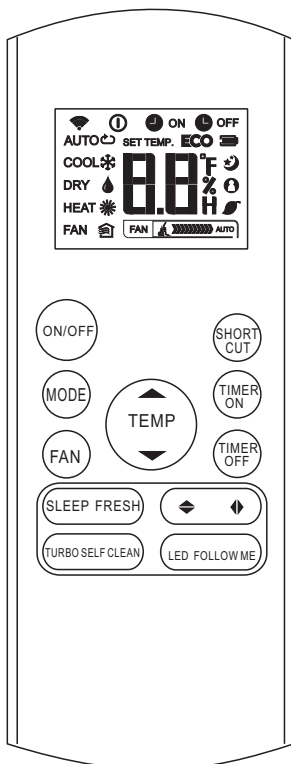
Τεχνικά χαρακτηριστικά τηλεχειριστηρίου.....	2
Πλήκτρα λειτουργίας.....	3
Ενδείξεις οθόνης.....	6
Τρόπος Χρήσης των Πλήκτρων.....	7
Αυτόματη λειτουργία.....	7
Λειτουργία Ψύξης/Θέρμανσης/Ανεμιστήρα.....	7
Λειτουργία αφύγρανσης.....	8
Ρύθμιση κατεύθυνσης ροής αέρα.....	8
Λειτουργία χρονοδιακόπτη.....	9
Χειρισμός του τηλεχειριστηρίου.....	13

ΣΗΜΕΙΩΣΗ:

- Ο σχεδιασμός των πλήκτρων βασίζεται στο τυπικό μοντέλο και μπορεί να διαφέρει ελαφρώς από εκείνο που αγοράσατε. Το πραγματικό σχήμα υπερισχύει.
- Όλες οι λειτουργίες που περιγράφονται πραγματοποιούνται από το κλιματιστικό. Αν το κλιματιστικό δεν έχει κάποιο από τα χαρακτηριστικά, δεν πραγματοποιείται η αντίστοιχη λειτουργία όταν πατάτε το σχετικό πλήκτρο του τηλεχειριστηρίου.
- Όταν υπάρχουν μεγάλες διαφορές μεταξύ της «Εικόνας τηλεχειριστηρίου» και του «ΕΓΧΕΙΡΙΔΙΟΥ ΧΡΗΣΤΗ» για την περιγραφή της λειτουργίας, υπερισχύει η περιγραφή του «ΕΓΧΕΙΡΙΔΙΟΥ ΧΡΗΣΤΗ».
- Για το μοντέλο RG57Y1/BGEF, εάν το κλιματιστικό απενεργοποιηθεί από λειτουργία COOL, AUTO ή DRY με τη θερμοκρασία ρυθμισμένη κάτω των 24°C, η ρυθμισμένη θερμοκρασία θα οριστεί αυτόματα στους 24°C όταν ενεργοποιήσετε ξανά το κλιματιστικό. Εάν το κλιματιστικό απενεργοποιηθεί από λειτουργία HEAT με τη θερμοκρασία ρυθμισμένη άνω των 24°C, η ρυθμισμένη θερμοκρασία θα οριστεί αυτόματα στους 24°C όταν ενεργοποιήσετε ξανά το κλιματιστικό.

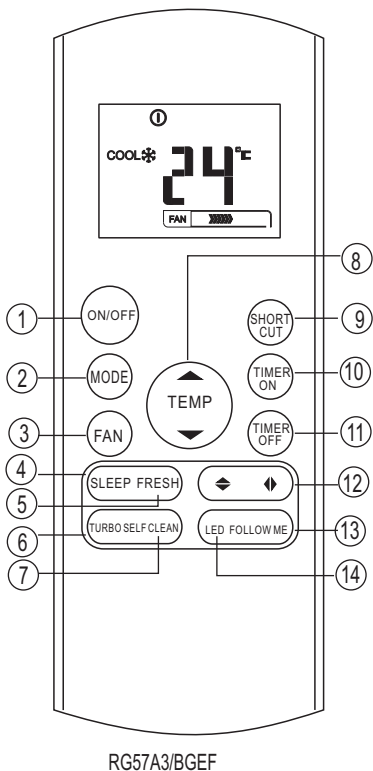
Τεχνικά χαρακτηριστικά τηλεχειριστηρίου

Μοντέλο	RG57A3/BGEF
Ονομαστική Τάση	3,0V (Ξηρές μπαταρίες AAA/R03/LR03X2)
Εμβέλεια αποστολής σήματος	8m
Περιβάλλον	-5°C~60°C



RG57A3/BGEF

Λειτουργία των πλήκτρων

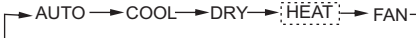


1 Πλήκτρο ON/OFF

Το συγκεκριμένο πλήκτρο ενεργοποιεί (ON) και απενεργοποιεί (OFF) το κλιματιστικό.

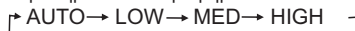
2 Πλήκτρο MODE

Πατήστε αυτό το κουμπί για να τροποποιήσετε τη λειτουργία του κλιματιστικού με την ακόλουθη σειρά:



3 Πλήκτρο FAN (ανεμιστήρα)

Χρησιμοποιήστε το για να επιλέξετε την ταχύτητα του ανεμιστήρα σε τέσσερα βήματα



ΣΗΜΕΙΩΣΗ: Στη λειτουργία AUTO ή DRY, δεν μπορείτε να αλλάξετε την ταχύτητα του ανεμιστήρα.

4 Πλήκτρο SLEEP (Ύπνου)

- Ενεργοποιεί/απενεργοποιεί τη λειτουργία ύπνου. Μπορεί να διατηρήσει τη θερμοκρασία άνεσης εξοικονομώντας ενέργεια. Αυτή η λειτουργία διατίθεται μόνο στις λειτουργίες COOL, HEAT ή AUTO.
- Για λεπτομέρειες, ανατρέξτε στη σελίδα «Λειτουργία ύπνου» στο «ΕΓΧΕΙΡΙΔΙΟ ΧΡΗΣΤΗ»

ΣΗΜΕΙΩΣΗ: Αν η μονάδα λειτουργεί στην κατάσταση λειτουργίας SLEEP, αυτή θα ακρωθεί εάν πιέσετε το πλήκτρο MODE, FAN SPEED ή ON/OFF.

5 Πλήκτρο FRESH

Ενεργοποιεί/απενεργοποιεί τη λειτουργία FRESH. Όταν αρχίζει η λειτουργία FRESH, ο ιονιστής/συλλέκτης σκόνης πλάσματος (ανάλογα με το μοντέλο) ενεργοποιείται και βοηθά στην απομάκρυνση της γύρης και των αιωρημάτων από τον αέρα.

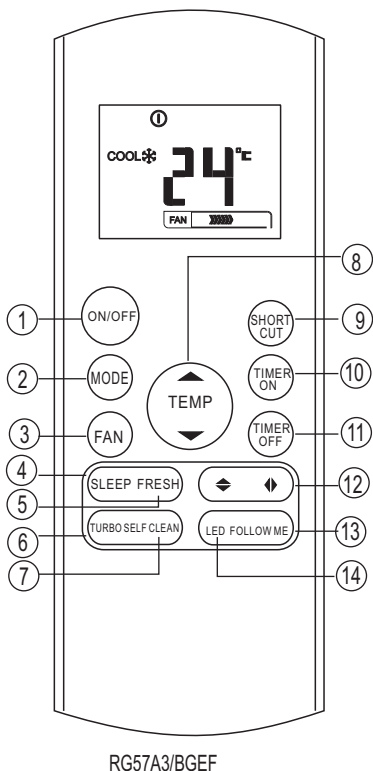
6 Πλήκτρο © TURBO:

Ενεργοποίηση/Απενεργοποίηση λειτουργίας Turbo. Η λειτουργία Turbo επιτρέπει στη μονάδα να φτάνει στην προκαθορισμένη θερμοκρασία στη λειτουργία ψύξης ή θέρμανσης στο συντομότερο χρονικό διάστημα (αν η εσωτερική μονάδα δεν υποστηρίζει αυτή τη λειτουργία, δεν υπάρχει αντίστοιχη λειτουργία όταν πιέζετε αυτό το πλήκτρο).

7 Κουμπί © SELF CLEAN (αυτόματος καθαρισμός)

Ενεργοποιεί/απενεργοποιεί τη λειτουργία Self Clean

Λειτουργία των πλήκτρων



8 Πλήκτρο UP (▲)

Πιέστε αυτό το πλήκτρο για να αυξήσετε την εσωτερική θερμοκρασία κατά βήματα του 1°C έως τους 30°C.

Πλήκτρο DOWN (▼)

Πιέστε αυτό το πλήκτρο για να μειώσετε την εσωτερική θερμοκρασία κατά βήματα του 1°C έως τους 17°C.

ΣΗΜΕΙΩΣΗ- Ο έλεγχος θερμοκρασίας δεν είναι διαθέσιμος στη λειτουργία ανεμιστήρα.

9 Πλήκτρο SHORTCUT

- Χρησιμοποιείται για να αποκαταστήσει τις τρέχουσες ρυθμίσεις ή να επαναφέρει τις προηγούμενες ρυθμίσεις.

- Την πρώτη φορά που συνδέετε τη μονάδα με το ρεύμα, εάν πιέσετε το πλήκτρο SHORTCUT, η μονάδα θα λειτουργεί σε κατάσταση λειτουργίας AUTO, 26°C, και η ταχύτητα του ανεμιστήρα θα είναι ρυθμισμένη στη λειτουργία Auto.

- Πιέστε αυτό το πλήκτρο όταν το τηλεχειριστήριο είναι ενεργοποιημένο. Το σύστημα θα επανέλθει αυτόματα στις προηγούμενες ρυθμίσεις, που περιλαμβάνουν τον τρόπο λειτουργίας, τη ρύθμιση της θερμοκρασίας, το επίπεδο της ταχύτητας του ανεμιστήρα και τη λειτουργία αδράνειας (εάν είναι ενεργοποιημένη). Εάν πιέσετε περισσότερο από 2

- δευτερόλεπτα, το σύστημα θα αποκαταστήσει αυτόματα τις τρέχουσες ρυθμίσεις λειτουργίας, συμπεριλαμβανομένων του τρόπου λειτουργίας, της θερμοκρασίας ρύθμισης, του επιπέδου ταχύτητας του ανεμιστήρα και της λειτουργίας αδράνειας, εάν είναι ενεργοποιημένη).

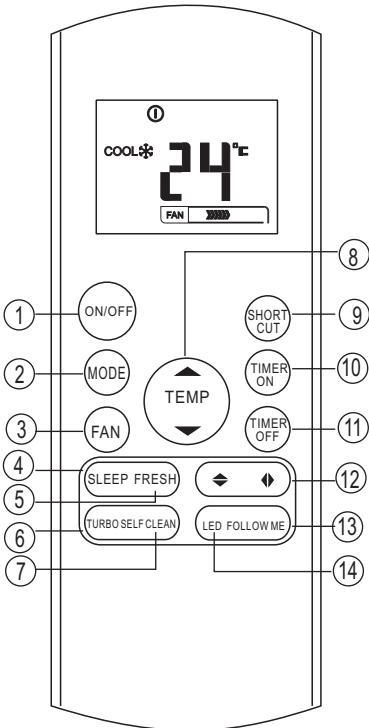
10 Πλήκτρο TIMER ON

Πατώντας αυτό το κουμπί εκκινείτε την ακολουθία χρόνου αυτόματης ενεργοποίησης. Με κάθε πάτημα του κουμπιού, η τιμή του χρόνου αυτόματης ενεργοποίησης αυξάνεται σε διαστήματα των 30 λεπτών. Όταν ο χρόνος ρύθμισης είναι 10.0, με κάθε πάτημα του κουμπιού, η τιμή του χρόνου αυτόματης ενεργοποίησης αυξάνεται σε διαστήματα 60 λεπτών. Για να ακυρώσετε το πρόγραμμα αυτόματης ενεργοποίησης, ρυθμίστε την τιμή του χρόνου αυτόματης ενεργοποίησης σε 0.0.

11 Πλήκτρο TIMER OFF

Πατώντας αυτό το κουμπί εκκινείτε την ακολουθία χρόνου αυτόματης απενεργοποίησης. Με κάθε πάτημα του κουμπιού, η τιμή του χρόνου αυτόματης απενεργοποίησης αυξάνεται σε διαστήματα των 30 λεπτών. Όταν η ώρα ρύθμισης γίνει 10.0, με κάθε πίεση του πλήκτρου η τιμή του χρόνου αυτόματης απενεργοποίησης θα αυξάνεται κατά 60 λεπτά. Για να ακυρώσετε το πρόγραμμα αυτόματης απενεργοποίησης, απλά ορίστε το χρόνο αυτόματης απενεργοποίησης σε 0.0.

Λειτουργία των πλήκτρων



RG57A3/BGEF

12 Πλήκτρο ◀▶ Swing

Χρησιμοποιείται για τη διακοπή ή την έναρξη της κατακόρυφης κίνησης των περσίδων και τη ρύθμιση της επιθυμητής αριστερή/δεξιάς κατεύθυνσης ροής αέρα. Η κάθετη περσίδα μετακινείται κατά γωνία 6 μοιρών με κάθε πάτημα. Και η περιοχή απεικόνισης της θερμοκρασίας της εσωτερικής μονάδας εμφανίζει το 'HI' για ένα δευτερόλεπτο. Αν συνεχίσετε να πατάτε αυτό το πλήκτρο για πάνω από 2 δευτερόλεπτα, ενεργοποιείται η αυτόματη κίνηση της κάθετης περσίδας. Και στην περιοχή ενδείξεων της εσωτερικής μονάδας εμφανίζεται η ένδειξη 'III', αναβοσβήνει τέσσερις φορές και στη συνέχεια η ρύθμιση θερμοκρασίας επανέρχεται. Εάν η λειτουργία κάθετης κίνησης περσίδων έχει σταματήσει, εμφανίζεται η ένδειξη "LC" και παραμένει αναμμένη για 3 δευτερόλεπτα.

Πλήκτρο Swing ◀▶

Χρησιμοποιείται για τη διακοπή ή την έναρξη της οριζόντιας κίνησης των περσίδων ή για τη ρύθμιση της επιθυμητής κατεύθυνσης ροής αέρα προς τα πάνω/κάτω. Η περσίδα μετακινείται κατά γωνία 6 μοιρών με κάθε πάτημα. Αν συνεχίσετε να πατάτε αυτό το πλήκτρο για πάνω από 2 δευτερόλεπτα, η περσίδα αιωρείται αυτόματα πάνω-κάτω.

13 Πλήκτρο FOLLOW ME

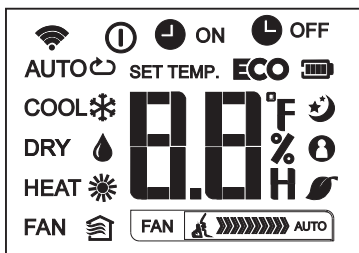
Πατήστε αυτό το κουμπί για να ενεργοποιήσετε τη λειτουργία Follow Me, η οθόνη του τηλεχειριστηρίου δείχνει την πραγματική θερμοκρασία στη θέση του. Το τηλεχειριστήριο θα στέλνει το σήμα αυτό στο κλιματιστικό σε διαστήματα των 3 λεπτών έως ότου πατήσετε και πάλι το κουμπί Follow Me. Το κλιματιστικό θα ακυρώσει αυτόματα τη λειτουργία Follow Me αν δεν λάβει το σήμα για διάστημα 7 λεπτών.

14 Πλήκτρο LED

Ενεργοποιεί/απενεργοποιεί την ένδειξη στην οθόνη της εσωτερικής μονάδας. Όταν πιέζετε το πλήκτρο, η ένδειξη της οθόνης της εσωτερικής μονάδας σβήνει. Πιέστε ξανά το πλήκτρο για να ανάψει η ένδειξη.

Ενδείξεις οθόνης

Οι πληροφορίες εμφανίζονται όταν το τηλεχειριστήριο είναι ενεργοποιημένο.



Ένδειξη κατάστασης λειτουργίας

AUTO COOL DRY
HEAT FAN

- Εμφανίζεται όταν μεταδίδονται δεδομένα.
- Εμφανίζεται όταν το τηλεχειριστήριο είναι ενεργοποιημένο.
- Ένδειξη μπαταρίας (ανίχνευση χαμηλής μπαταρίας)
- ECO** Δεν είναι διαθέσιμο για αυτήν τη μονάδα
- ON** Εμφανίζεται όταν έχει ρυθμιστεί ο χρόνος TIMER ON.
- OFF** Εμφανίζεται όταν έχει ρυθμιστεί ο χρόνος απενεργοποίησης του χρονοδιακόπτη.
- Έμφάνιση ρυθμισμένης θερμοκρασίας ή δωματίου θερμοκρασία ή το χρόνο στη ρύθμιση TIMER.

- Εμφανίζεται στη λειτουργία Sleep.
- Υποδηλώνει ότι το κλιματιστικό βρίσκεται σε λειτουργία Follow me
- Δεν είναι διαθέσιμο για αυτήν τη μονάδα
- Δεν είναι διαθέσιμο για αυτήν τη μονάδα

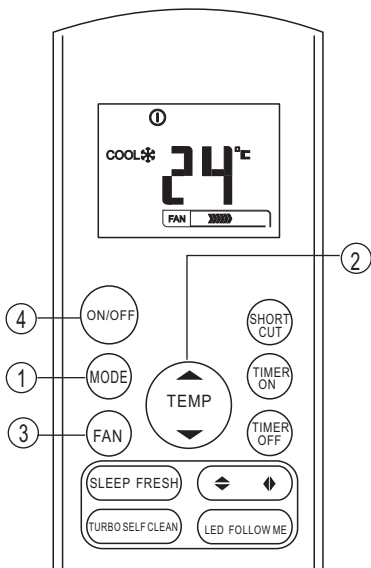
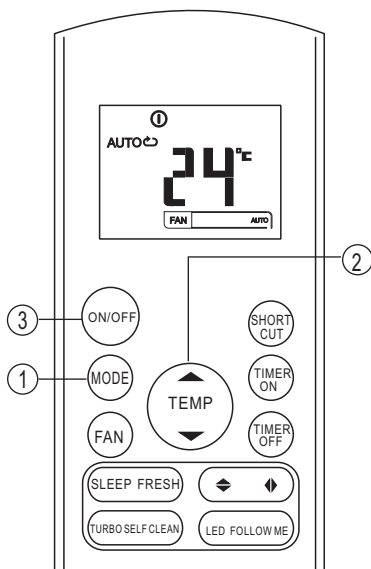
Ένδειξη ταχύτητας ανεμιστήρα

- FAN** Χαμηλή ταχύτητα
- FAN** Μέτρια ταχύτητα
- FAN** Υψηλή ταχύτητα
- FAN** Αυτόματη ταχύτητα ανεμιστήρα

Σημείωση:

Όλες οι ενδείξεις της εικόνας αποσκοπούν στην πληρέστερη παρουσίαση της οθόνης. Κατά τη λειτουργία, στην οθόνη εμφανίζονται μόνο τα αντίστοιχα σύμβολα των λειτουργιών.

Τρόπος Χρήσης των Πλήκτρων



Αυτόματη λειτουργία

Βεβαιωθείτε ότι η μονάδα ρευματοδοτείται κανονικά. Η ένδειξη OPERATION (λειτουργία) αρχίζει να αναβοσβήνει στον πίνακα ενδείξεων της εσωτερικής μονάδας.

1. Πιέστε το πλήκτρο **MODE** για να επιλέξετε το Auto.
2. Πιέστε το πλήκτρο **UP/DOWN** για να ρυθμίσετε την επιθυμητή θερμοκρασία. Η θερμοκρασία μπορεί να ρυθμιστεί εντός εύρους 17°C~30°C σε βήματα του 1°C.
3. Πατήστε το πλήκτρο **ON/OFF** για να ενεργοποιήσετε το κλιματιστικό.

ΣΗΜΕΙΩΣΗ

1. Στην αυτόματη λειτουργία, το κλιματιστικό θα επιλέξει λογικά τη λειτουργία ψύξης, ανεμιστήρα και θέρμανσης ανιχνεύοντας τη διαφορά μεταξύ της πραγματικής θερμοκρασίας περιβάλλοντος χώρου και της θερμοκρασίας ρύθμισης στο τηλεχειριστήριο.
2. Στη λειτουργία Auto, δεν μπορείτε να αλλάξετε την ταχύτητα του ανεμιστήρα. Αυτή ελέγχεται ήδη αυτόματα.
3. Εάν η λειτουργία Auto δεν σας εξυπηρετεί, μπορείτε να επιλέξετε την επιθυμητή λειτουργία χειροκίνητα.

Λειτουργία ψύξης/ θέρμανσης/ ανεμιστήρα

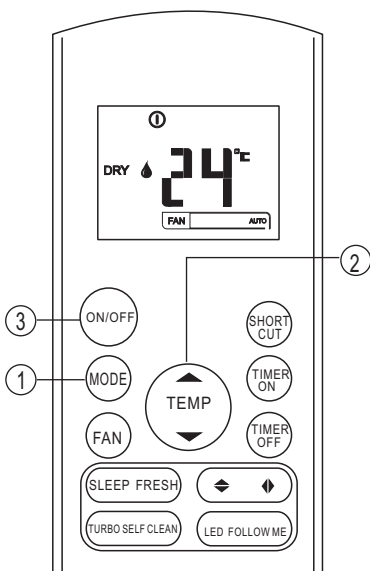
Βεβαιωθείτε ότι η μονάδα είναι στην πρίζα και ότι υπάρχει παροχή ηλεκτρισμού.

1. Πιέστε το πλήκτρο **MODE** για να επιλέξετε τη λειτουργία COOL, HEAT (μόνο στα μοντέλα ψύξης και θέρμανσης) ή FAN.
2. Πιέστε τα πλήκτρα **UP/DOWN** για να ρυθμίσετε την επιθυμητή θερμοκρασία. Η θερμοκρασία μπορεί να ρυθμιστεί εντός εύρους 17°C~30°C σε βήματα του 1°C.
3. Πιέστε το πλήκτρο **FAN** για να επιλέξετε την ταχύτητα του ανεμιστήρα σε τέσσερα βήματα: Αυτόματη, Χαμηλή, Μέτρια ή Υψηλή.
4. Πιέστε το πλήκτρο **ON/OFF** για να θέσετε σε λειτουργία το κλιματιστικό.

ΣΗΜΕΙΩΣΗ

Στη λειτουργία FAN, η θερμοκρασία ρύθμισης δεν προβάλλεται στο τηλεχειριστήριο και δεν μπορείτε ούτε να ελέγξετε τη θερμοκρασία δωματίου. Σε αυτή την περίπτωση, μπορείτε να εκτελέσετε μόνο τα βήματα 1, 3 και 4.

Τρόπος Χρήσης των Πλήκτρων



Λειτουργία αφύγρανσης

Βεβαιωθείτε ότι η μονάδα είναι στην πρίζα και ότι υπάρχει παροχή ηλεκτρισμού. Η ένδειξη λειτουργίας αρχίζει να αναβοσβήνει στον πίνακα ενδείξεων της εσωτερικής μονάδας.

1. Πιέστε το πλήκτρο **MODE** για να επιλέξετε τη λειτουργία DRY.
2. Πιέστε τα πλήκτρα **UP/DOWN** για να ρυθμίσετε την επιθυμητή θερμοκρασία. Η θερμοκρασία μπορεί να ρυθμιστεί εντός εύρους 17°C~30°C σε βήματα του 1°C.
3. Πιέστε το πλήκτρο **ON/OFF** για να θέσετε σε λειτουργία το κλιματιστικό.

ΣΗΜΕΙΩΣΗ

Στη λειτουργία αφύγρανσης, δεν μπορείτε να αλλάξετε την ταχύτητα του ανεμιστήρα. Αυτή ελέγχεται ήδη αυτόματα..

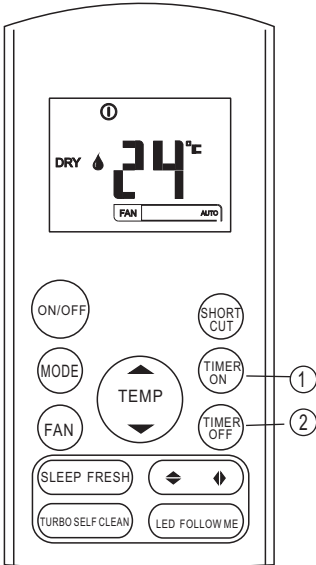
Ρύθμιση κατεύθυνσης ροής αέρα

Χρησιμοποιήστε το πλήκτρο SWING ◀ & ▶ για να ρυθμίσετε την επιθυμητή κατεύθυνση ροής αέρα.

1. Η κατεύθυνση Πάνω/Κάτω μπορεί να ρυθμιστεί με το πλήκτρο ▶ στο τηλεχειριστήριο. Κάθε φορά που πατάτε το πλήκτρο, η περσίδα μετακινείται κατά 6 μοίρες. Αν συνεχίσετε να πατάτε αυτό το πλήκτρο για πάνω από 2 δευτερόλεπτα, η περσίδα αιωρείται αυτόματα πάνω-κάτω.
2. Η κατεύθυνση Δεξιά/Αριστερά μπορεί να ρυθμιστεί με το πλήκτρο ◀ στο τηλεχειριστήριο. Κάθε φορά που πατάτε το πλήκτρο, η περσίδα μετακινείται κατά 6 μοίρες. Αν συνεχίσετε να πατάτε αυτό το πλήκτρο για πάνω από 2 δευτερόλεπτα, η περσίδα αιωρείται αυτόματα πάνω-κάτω.

ΣΗΜΕΙΩΣΗ Όταν η περσίδα ταλαντεύει ή μετακινηθεί σε θέση που θα μπορούσε να επηρεάσει την απόδοση ψύξης ή θέρμανσης του κλιματιστικού, αλλάζει αυτόματα την κατεύθυνση ταλάντευσης/μετακίνησης.

Λειτουργία χρονοδιακόπτη



Πιέστε το πλήκτρο TIMER ON να ρυθμίσετε την ώρα αυτόματης ενεργοποίησης της μονάδας. Πιέστε το πλήκτρο TIMER OFF να ρυθμίσετε την ώρα αυτόματης απενεργοποίησης της μονάδας.

Για να ορίσετε την ώρα αυτόματης ενεργοποίησης.

1. Πατήστε το πλήκτρο TIMER ON. Στο τηλεχειριστήριο εμφανίζεται η ένδειξη TIMER ON, και στην περιοχή της οθόνης LCD εμφανίζεται η τελευταία ώρα αυτόματης ενεργοποίησης που είχε ρυθμιστεί και η ένδειξη «H». Τώρα μπορείτε να ορίσετε εκ νέου την ώρα για την αυτόματη έναρξη της λειτουργίας.
2. Πατήστε ξανά το κουμπί TIMER ON για να ορίσετε την επιθυμητή ώρα αυτόματης ενεργοποίησης. Κάθε φορά που πιέζετε το πλήκτρο, η ώρα αυξάνεται κατά μισή ώρα μεταξύ 0 και 10 ωρών και κατά μία ώρα μεταξύ 10 και 24 ωρών.
3. Αφού ρυθμίσετε το χρονοδιακόπτη έναρξης λειτουργίας, θα υπάρξει καθυστέρηση ενός δευτερολέπτου έως ότου το τηλεχειριστήριο στείλει το σήμα στο κλιματιστικό. Στη συνέχεια, μετά από περίπου 2 ακόμα δευτερόλεπτα, η ένδειξη "h" θα εξαφανιστεί και στην οθόνη θα επανεμφανιστεί η επιλεγμένη θερμοκρασία.

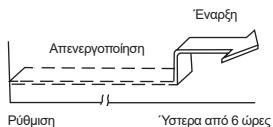
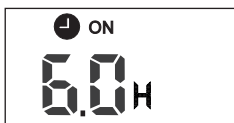
Για να ορίσετε την ώρα αυτόματης απενεργοποίησης.

1. Πατήστε το κουμπί TIMER OFF. Στο τηλεχειριστήριο εμφανίζεται η ένδειξη TIMER OFF, και στην περιοχή της οθόνης LCD εμφανίζεται η τελευταία ώρα αυτόματης απενεργοποίησης που είχε ρυθμιστεί και η ένδειξη «H». Τώρα μπορείτε να ρυθμίσετε εκ νέου την ώρα αυτόματης απενεργοποίησης για τη διακοπή της λειτουργίας.
2. Πατήστε ξανά το κουμπί TIMER OFF για να ορίσετε την επιθυμητή ώρα αυτόματης απενεργοποίησης. Κάθε φορά που πιέζετε το πλήκτρο, η ώρα αυξάνεται κατά μισή ώρα μεταξύ 0 και 10 ωρών και κατά μία ώρα μεταξύ 10 και 24 ωρών.
3. Αφού ρυθμίσετε το χρονοδιακόπτη διακοπής λειτουργίας, θα υπάρξει καθυστέρηση ενός δευτερολέπτου έως ότου το τηλεχειριστήριο στείλει το σήμα στο κλιματιστικό. Στη συνέχεια, μετά από περίπου 2 ακόμα δευτερόλεπτα, η ένδειξη "h" θα εξαφανιστεί και στην οθόνη θα επανεμφανιστεί η επιλεγμένη θερμοκρασία.

ΠΡΟΣΟΧΗ

- Όταν επιλέγετε τη λειτουργία χρονοδιακόπτη, το τηλεχειριστήριο μεταδίδει αυτόματα το σήμα χρονοδιακόπτη στην εσωτερική μονάδα στην καθορισμένη ώρα. Γι' αυτόν το λόγο, διατηρείτε το τηλεχειριστήριο σε θέση όπου μπορεί να μεταδίδει σωστά το σήμα στην εσωτερική μονάδα.
- Η πραγματική ώρα λειτουργίας που ορίζετε μέσω του τηλεχειριστηρίου για τη λειτουργία χρονοδιακόπτη περιορίζεται στις παρακάτω τιμές: 0.5, 1.0, 1.5, 2.0, 2.5, 3.0, 3.5, 4.0, 4.5, 5.0, 5.5, 6.0, 6.5, 7.0, 7.5, 8.0, 8.5, 9.0, 9.5, 10, 11, 12, 13, 14, 15, 16, 17, 18, 19, 20, 21, 22, 23 και 24.

Παράδειγμα ρύθμισης χρονοδιακόπτη



TIMER ON

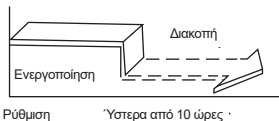
(Λειτουργία αυτόματης ενεργοποίησης)

Η λειτουργία TIMER ON είναι χρήσιμη όταν θέλετε να ενεργοποιήσετε αυτόματα τη μονάδα λίγο πριν επιστρέψετε στο σπίτι. Το κλιματιστικό θα αρχίσει να λειτουργεί αυτόματα την καθορισμένη ώρα.

Παράδειγμα:

Για να ενεργοποιήσετε το κλιματιστικό σε 6 ώρες.

1. Πατήστε το πλήκτρο TIMER ON και στην περιοχή της ψηφιακής οθόνης εμφανίζεται η τελευταία επιλεγμένη ώρα ενεργοποίησης και η ένδειξη "H".
2. Πατήστε το κουμπί TIMER ON για να προβάλετε "6.0H" στην οθόνη του TIMER ON του τηλεχειριστηρίου.
3. Περιμένετε 3 δευτερόλεπτα και η ψηφιακή οθόνη θα εμφανίσει πάλι τη θερμοκρασία. Η ένδειξη «TIMER ON» παραμένει αναμμένη και ενεργοποιείται αυτή η λειτουργία.



TIMER OFF

(Λειτουργία αυτόματης απενεργοποίησης)

Η λειτουργία TIMER OFF είναι χρήσιμη όταν θέλετε να απενεργοποιήσετε αυτόματα τη μονάδα ενώ απουσιάζετε. Το κλιματιστικό θα σταματήσει αυτόματα να λειτουργεί τη καθορισμένη ώρα.

Παράδειγμα:

Για να απενεργοποιήσετε το κλιματιστικό σε 10 ώρες.

1. Πατήστε το πλήκτρο TIMER OFF και στην περιοχή της ψηφιακής οθόνης εμφανίζεται η τελευταία επιλεγμένη ώρα απενεργοποίησης και η ένδειξη "H".
2. Πατήστε το κουμπί TIMER OFF για να προβάλετε "10H" στην οθόνη TIMER OFF του τηλεχειριστηρίου.
3. Περιμένετε 3 δευτερόλεπτα και η ψηφιακή οθόνη θα εμφανίσει πάλι τη θερμοκρασία. Η ένδειξη «TIMER OFF» παραμένει αναμμένη και ενεργοποιείται αυτή η λειτουργία.

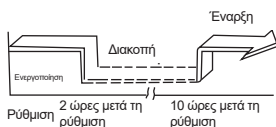
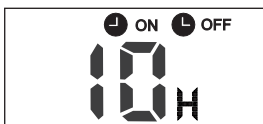
ΣΥΝΔΥΑΣΜΕΝΟΣ ΧΡΟΝΟΔΙΑΚΟΠΤΗΣ

(Ταυτόχρονη ρύθμιση χρονοδιακόπτη ενεργοποίησης και απενεργοποίησης)

TIMER ON → TIMER OFF

(Λειτουργία Ενεργοποίησης → Διακοπής → Έναρξης)

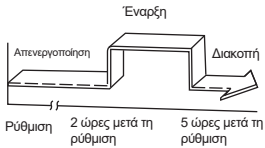
Αυτή η λειτουργία είναι χρήσιμη όταν θέλετε να απενεργοποιήσετε το κλιματιστικό αφού πάτε για ύπνο και να το θέσετε ξανά σε λειτουργία το πρωί όταν ξυπνήσετε ή μόλις επιστρέψετε στο σπίτι.



Παράδειγμα:

Για να σταματήσετε το κλιματιστικό 2 ώρες μετά τη ρύθμιση και να το θέσετε ξανά σε λειτουργία 10 ώρες μετά τη ρύθμιση.

1. Πατήστε το πλήκτρο TIMER OFF.
2. Πιέστε το πλήκτρο TIMER OFF πάλι για να εμφανιστεί η ένδειξη 2.0H στην οθόνη TIMER OFF.
3. Πατήστε το πλήκτρο TIMER ON.
4. Πατήστε ξανά το κουμπί TIMER ON για να εμφανιστεί η ένδειξη "10h" στην οθόνη TIMER ON.
5. Περιμένετε 3 δευτερόλεπτα και η ψηφιακή οθόνη θα εμφανίσει πάλι τη θερμοκρασία. Η ένδειξη «TIMER ON OFF» παραμένει αναμμένη και ενεργοποιείται αυτή η λειτουργία.



TIMER ON → TIMER OFF

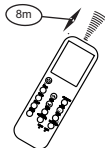
(Λειτουργία Απενεργοποίησης → Διακοπής → Έναρξης)
Αυτή η λειτουργία είναι χρήσιμη όταν θέλετε να θέσετε σε λειτουργία το κλιματιστικό πριν να ζυτνήσετε και να το απενεργοποιήσετε αφού φύγετε από το σπίτι.

Παράδειγμα:

Για να θέσετε σε λειτουργία το κλιματιστικό 2 ώρες μετά τη ρύθμιση και να το απενεργοποιήσετε 5 ώρες μετά τη ρύθμιση.

1. Πατήστε το πλήκτρο TIMER ON.
2. Πατήστε ξανά το κουμπί TIMER ON για να προβάλετε την ένδειξη 2.0H στην οθόνη TIMER ON.
3. Πατήστε το πλήκτρο TIMER OFF.
4. Πατήστε ξανά το κουμπί TIMER OFF για να προβάλετε την ένδειξη 5.0H στην οθόνη TIMER OFF.
5. Περιμένετε 3 δευτερόλεπτα και η ψηφιακή οθόνη θα εμφανίσει πάλι τη θερμοκρασία. Η ένδειξη «TIMER ON & TIMER OFF» παραμένει αναμμένη και ενεργοποιείται αυτή η λειτουργία.

Χειρισμός του τηλεχειριστηρίου

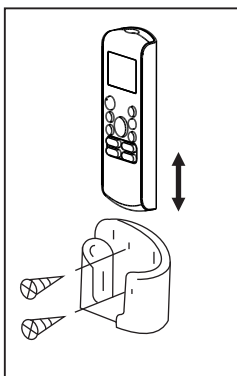


Θέση του τηλεχειριστηρίου.

- Χρησιμοποιήστε το τηλεχειριστήριο σε απόσταση 8 μέτρων από τη συσκευή, στρέφοντας το τηλεχειριστήριο προς το δέκτη. Η λήψη επιβεβαιώνεται με τον ήχο «μπιππ».

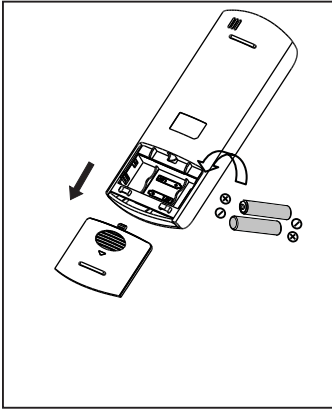
▲ ΠΡΟΣΟΧΗ

- Το κλιματιστικό δεν θα λειτουργεί αν κουρτίνες, πόρτες ή άλλα υλικά εμποδίζουν τα σήματα από το τηλεχειριστήριο προς την εσωτερική μονάδα.
- Μην αφήσετε υγρά να πέσουν επάνω στο τηλεχειριστήριο. Μην εκθέσετε το τηλεχειριστήριο άμεσα στο ηλιακό φως ή σε θερμότητα.
- Αν ο δέκτης σήματος υπερέθρων στην εσωτερική μονάδα εκτεθεί άμεσα στο ηλιακό φως, το κλιματιστικό ενδέχεται να μη λειτουργεί σωστά. Χρησιμοποιείτε κουρτίνες για να μην αφήνετε το ηλιακό φως να πέφτει επάνω στο δέκτη.
- Αν άλλες ηλεκτρικές συσκευές αντιδρούν στο τηλεχειριστήριο, μετακινήστε αυτές τις συσκευές ή επικοινωνήστε με τον έμπορο της περιοχής σας.
- Μην αφήνετε το τηλεχειριστήριο να πέσει κάτω. Να το χειρίζεστε με προσοχή.
- Μην τοποθετείτε βαριά αντικείμενα πάνω στο τηλεχειριστήριο και μην πατάτε πάνω του.



Χρήση της βάσης του τηλεχειριστηρίου (προαιρετικά)

- Το τηλεχειριστήριο μπορεί να τοποθετηθεί σε τοίχο ή κολόνα με χρήση της βάσης του τηλεχειριστηρίου (δεν παρέχεται, αγοράζεται ξεχωριστά).
- Πριν εγκαταστήσετε το τηλεχειριστήριο, βεβαιωθείτε ότι το κλιματιστικό λαμβάνει σωστά τα σήματα.
- Εγκαταστήστε τη βάση χρησιμοποιώντας δύο βίδες.
- Για την εγκατάσταση ή την αφαίρεση του τηλεχειριστηρίου, μετακινήστε το πάνω ή κάτω στη βάση.



Αντικατάσταση μπαταριών

Οι παρακάτω περιπτώσεις υποδηλώνουν εξαντλημένες μπαταρίες.

Αντικαταστήστε τις παλιές μπαταρίες με καινούργιες.

- Δεν εκπέμπεται ήχος «μπιπ» λήξης κατά τη μετάδοση σήματος.
- Οι ενδείξεις της οθόνης, εμφανίζονται εξασθενημένες.

Το κλιματιστικό σας μπορεί να συμπεριλαμβάνει δύο μπαταρίες (ορισμένες μονάδες). Τοποθετήστε τις μπαταρίες στο τηλεχειριστήριο πριν από τη χρήση:

- (1) Αφαιρέστε το κάλυμμα στο πίσω μέρος του τηλεχειριστηρίου.
- (2) Αφαιρέστε τις παλιές μπαταρίες και βάλτε τις καινούργιες, τοποθετώντας σωστά τους πόλους (+) και (-).
- (3) Τοποθετήστε πάλι το κάλυμμα στην αρχική του θέση.

ΣΗΜΕΙΩΣΗ: Μόλις αφαιρεθούν οι μπαταρίες, το τηλεχειριστήριο διαγράφει όλες τις προγραμματισμένες του λειτουργίες. Αφού τοποθετήσετε τις καινούργιες μπαταρίες, θα πρέπει να προγραμματίσετε το τηλεχειριστήριο από την αρχή.

▲ ΠΡΟΣΟΧΗ

- Μην αναμειγνύεται παλιές και νέες μπαταρίες, ή μπαταρίες διαφορετικού τύπου.
- Μην αφήνετε τις μπαταρίες στο τηλεχειριστήριο, εάν δεν πρόκειται να χρησιμοποιηθεί για 2 ή 3 μήνες.
- Μην απορρίπτετε τις μπαταρίες μαζί με τα υπόλοιπα οικιακά απορρίμματα. Πρέπει να συλλέγονται ξεχωριστά και να υποβάλλονται σε ειδική επεξεργασία.

Ο σχεδιασμός και οι προδιαγραφές μπορούν να αλλάξουν χωρίς προειδοποίηση, για λόγους βελτίωσης του προϊόντος. Για περισσότερες πληροφορίες επικοινωνήστε με το τμήμα πωλήσεων ή τον κατασκευαστή.



FG EUROPE SA

128, VOULIAGMENIS AVE

16674 GLYFADA GREECE

Technical support email: fge.service@fgeurope.gr

CR132-RG57A3